

# Series XV03



## Series XV03

The AVENTICS XV03 series provides a reliable basis for both compact handling systems and complex automation solutions. The XV-Compact variant features a wide range of valve functions and accessories as well as the relevant electrical connectivity for general requirements in factory automation and other industries. With the simple support of D-Sub and terminal strips through to IO-Link and several XVES series fieldbus protocols, all requirements for decentralized control are also met. The unique online configurator makes it easy to define the optimum configuration for the base plate and the entire valve system, including accessories.

- Optimized flow to size
- Easy and flexible custom specific configurations via online configurator
- Broad connectivity through terminal strip, multipol, or fieldbus connection
- Multiple pneumatic connection directions as side, bottom and top
- Low energy consumption
- Wide range of accessories as shut-off, supply modules, speed modules and regulators
- Webserver and diagnostic
- Global availability and universal threads to support regional demands
- Robust aluminium base plate and ready for cabinet assembly



## Product overview

### Electrically operated

	Page
2x3/2-directional valve, Series XV03.....	6
2x3/2-directional valve, Series XV03.....	8
Top connection	
5/2-directional valve, Series XV03.....	10
5/2-directional valve, Series XV03.....	12
Top connection	
5/3-directional valve, Series XV03.....	14
5/3-directional valve, Series XV03.....	16
Top connection	

### Accessories overview Fieldbus connections

Bus coupler, series XVES Profinet.....	18
Bus coupler, series XVES EtherCAT.....	20
Bus coupler, series XVES EtherNet/IP.....	22
Bus coupler, series XVES Modbus TCP.....	24
Bus coupler, series XVES POWERLINK.....	26
Bus coupler, series XVES Profibus DP.....	28
Bus coupler, series XVES IO-Link.....	30
Bus coupler, series XVES CANopen.....	32

### Accessories overview Pressure regulator

Pressure regulator, Series XV03.....	34
without pressure gauge	
Pressure regulator, Series XV03.....	35
with pressure gauge	
Pressure regulator, Series XV03.....	37
with pressure gauge	

### Accessories overview Base plates

Base plate, series XV03, working connections on the side.....	39
Base plate, series XV03, working connections on bottom.....	41

### Accessories overview Electrical accessories

Multipole connection, 25-pin, on top.....	43
Multipole connection, 44-pin, on top.....	44
Multipole connection, 25-pin, on the side.....	45
Multipole connection, 44-pin, on the side.....	46
Multipole connection, terminal 27, on top.....	47
Multipole plug, series CON-MP.....	48
D-Sub socket, 25 pin straight Compact design - Socket - D-Sub - 25-pin	
Multipole plug, series CON-MP.....	51
D-Sub socket, 25 pin angled Compact design - Socket - D-Sub - 25-pin	
Multipole plug, series CON-MP.....	53
D-Sub socket, 44 pin straight Compact design - Socket - D-Sub - 44-pin	
Multipole plug, series CON-MP.....	56
D-Sub socket, 44 pin angled Compact design - Socket - D-Sub - 44-pin	
Round plug connector, Series CON-RD.....	59
With knurled nut - Socket - M12x1 - 4-pin - straight - Screws	

## Product overview

	Page
Round plug connector, Series CON-RD.....	60
Plug - M12x1 - 4-pin - straight - Thread cutting - Ethernet EtherNet/IP EtherCAT POWERLINK sercos III	
Round plug connector, Series CON-RD.....	61
for series AES - Plug - M12x1 - 4-pin - angled - Insulation-piercing terminal connection - Profinet EtherNet/IP EtherCAT POWERLINK	
Round plug connector, Series CON-RD.....	62
for series AES - Socket - M12x1 - 5-pin - angled - Insulation-piercing terminal connection - PROFIBUS DP	
Round plug connector, Series CON-RD.....	63
Socket - M12x1 - 5-pin - straight - Screws - CANopen DeviceNet	
Round plug connector, Series CON-RD.....	64
Socket - M12x1 - 5-pin - straight - Screws - PROFIBUS DP	
Round plug connector, Series CON-RD.....	65
for series AES - Socket - M12x1 - 5-pin - angled - Insulation-piercing terminal connection - CANopen DeviceNet	
Round plug connector, Series CON-RD.....	66
Plug - M12x1 - 5-pin - straight - CANopen DeviceNet	
Round plug connector, Series CON-RD.....	67
Plug - M12x1 - 5-pin - straight	
Round plug connector, Series CON-RD.....	68
for series AES - Plug - M12x1 - 5-pin - angled - Insulation-piercing terminal connection - PROFIBUS DP	
Round plug connector, Series CON-RD.....	69
for series AES - Plug - M12x1 - 5-pin - angled - Insulation-piercing terminal connection - CANopen DeviceNet	
Data final plug, Series CON-RD.....	70
Plug - M12x1 - 4-pin - PROFIBUS DP	
Data final plug, Series CON-RD.....	71
Plug - M12x1 - 5-pin - CANopen DeviceNet	
Round plug connector, Series CON-RD.....	72
Plug - M8x1 - 3-pin - straight - open cable ends - 3-pin	
Round plug connector, Series CON-RD.....	74
Plug - M8x1 - 3-pin - angled - open cable ends - 3-pin	
Round plug connectors with cable, Series CON-RD.....	76
Plug - M12x1 - 4-pin - straight - open cable ends - 4-pin - Profinet POWERLINK EtherNet/IP EtherCAT	
Round plug connectors with cable, Series CON-RD.....	77
Plug - M12x1 - 4-pin - straight - Plug - M12x1 - 4-pin - straight - Profinet POWERLINK EtherNet/IP EtherCAT	
Round plug connectors with cable, Series CON-RD.....	78
Plug - M12x1 - 4-pin - straight - Plug - RJ45 - 4-pin - straight - Profinet POWERLINK EtherNet/IP EtherCAT	
Round plug connectors with cable, Series CON-RD.....	80
Plug - M12x1 - 4-pin - angled - Plug - M12x1 - 4-pin - straight - Profinet POWERLINK EtherNet/IP EtherCAT	
Round plug connectors with cable, Series CON-RD.....	82
Socket - M12x1 - 5-pin - straight - open cable ends - 5-pin	

## Product overview

	Page
Cable socket.....	83
AS-i cable socket incl. label	
Sleeve housing.....	84
Cable fitting.....	85
<b>Accessories overview Mechanical accessories</b>	
Blank plate, series XV03.....	86
Shut-off module, Series XV03.....	87
Shut-off module, series XV03, extended.....	88
Supply plate, series XV03.....	89
Air supply sandwich plate, series XV03.....	91
Exhaust sandwich plate, series XV03.....	92
Non-return valve, series XV03.....	93
Throttle sandwich plate, series XV03.....	94
Orifice plugs.....	95
Orifice plug for flow control	
Straight fitting, M7x1.....	97
Blanking screw, M7x1.....	99
Straight fitting, 1/8" BSP.....	100
Straight fitting, 1/8" NPT.....	102
Separator for channel 1, 3, 5.....	104
Separator for channel X.....	105
Mounting kit for DIN rail XV03.....	106
Blanking screw, gasket.....	107
AVENTICS Series S11 Silencers.....	108
External thread - Sintered bronze	
AVENTICS Series S11 Silencers.....	110
External thread - Polyethylene	
Protective cap, series CON-RD, M12x1.....	113
M12x1 - M12x1	

**2x3/2-directional valve, Series XV03**

Flow: 345 l/min

Activation: Electrically operated

Duty cycle: 100 %

Type: Spool valve, positive overlapping

Ambient temperature min./max.: -10 °C ... 50 °C

Medium temperature min./max.: -10 °C ... 50 °C

Working pressure min./max.: -0.95 bar ... 8 bar

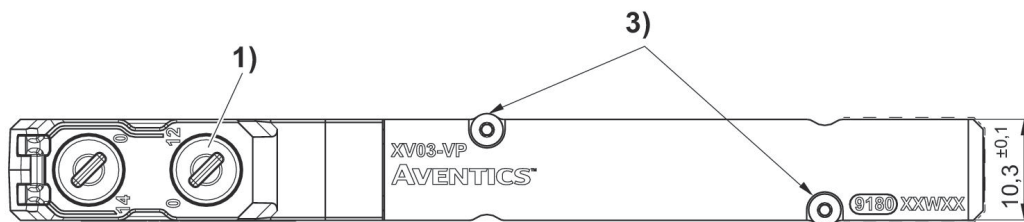
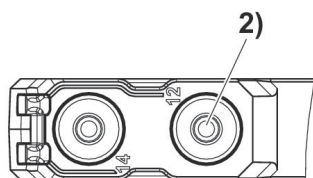
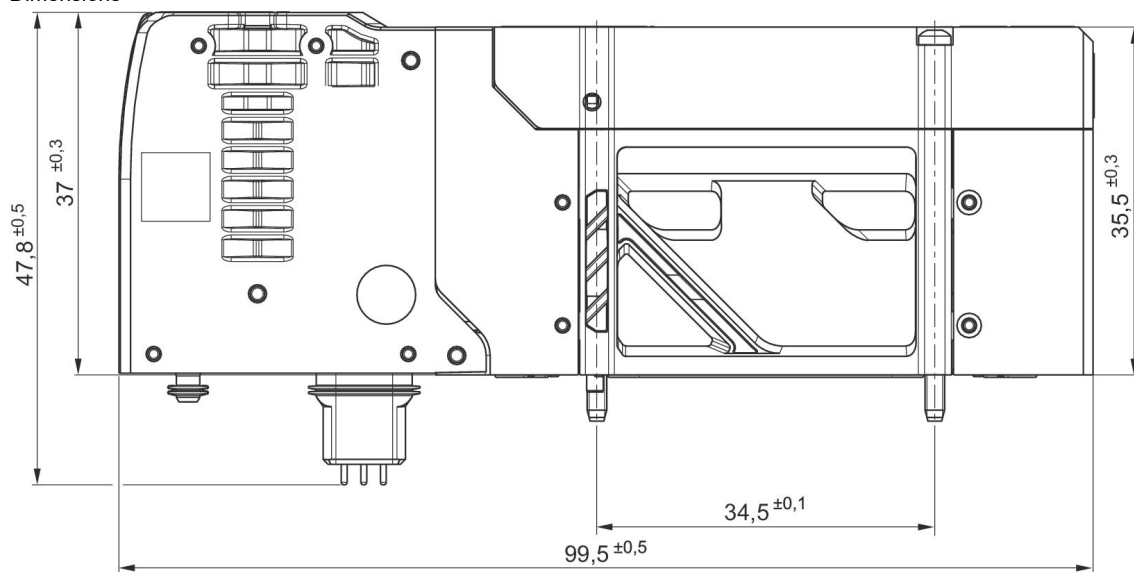
Control pressure min./max.: 3 bar ... 8 bar



	Switching principle	Operational voltage	Pilot	Manual override	Power consumption DC [W]	Max. working pressure [bar]	Typ. switch-on time [ms]	Part No.
	2x 3/2 NO/NO, with spring return	24 V DC	External	without detent	0.55	8	15	R572A2BA0MA00F1
	2x 3/2 NC/NC, with spring return	24 V DC	External	without detent	0.55	8	15	R572A2BD0MA00F1
	2x 3/2 NC/NO, with spring return	24 V DC	External	without detent	0.55	8	15	R572A2BF0MA00F1
	2x 3/2 NO/NO, with spring return	24 V DC	External	with detent	0.55	8	15	R572A2CA0MA00F1
	2x 3/2 NC/NC, with spring return	24 V DC	External	with detent	0.55	8	15	R572A2CD0MA00F1
	2x 3/2 NC/NO, with spring return	24 V DC	External	with detent	0.55	8	15	R572A2CF0MA00F1

Typ. switch-off time [ms]	Part No.
30	R572A2BA0MA00F1
30	R572A2BD0MA00F1
30	R572A2BF0MA00F1
30	R572A2CA0MA00F1
30	R572A2CD0MA00F1
30	R572A2CF0MA00F1

Dimensions



- 1) with detent
- 2) without detent
- 3) Tightening torque: 0,25 Nm 0/+0,05 Nm

**2x3/2-directional valve, Series XV03**

Flow: 345 l/min

Activation: Electrically operated

Duty cycle: 100 %

Type: Spool valve, positive overlapping

Ambient temperature min./max.: -10 °C ... 50 °C

Medium temperature min./max.: -10 °C ... 50 °C

Working pressure min./max.: -0.95 bar ... 8 bar

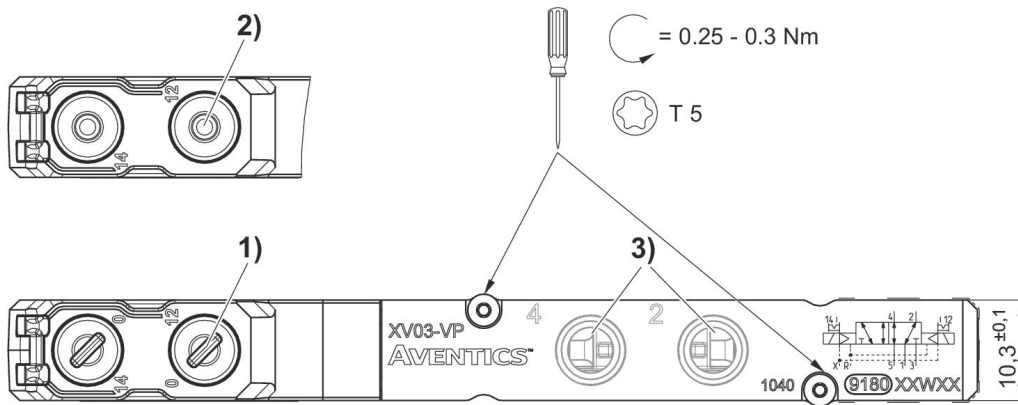
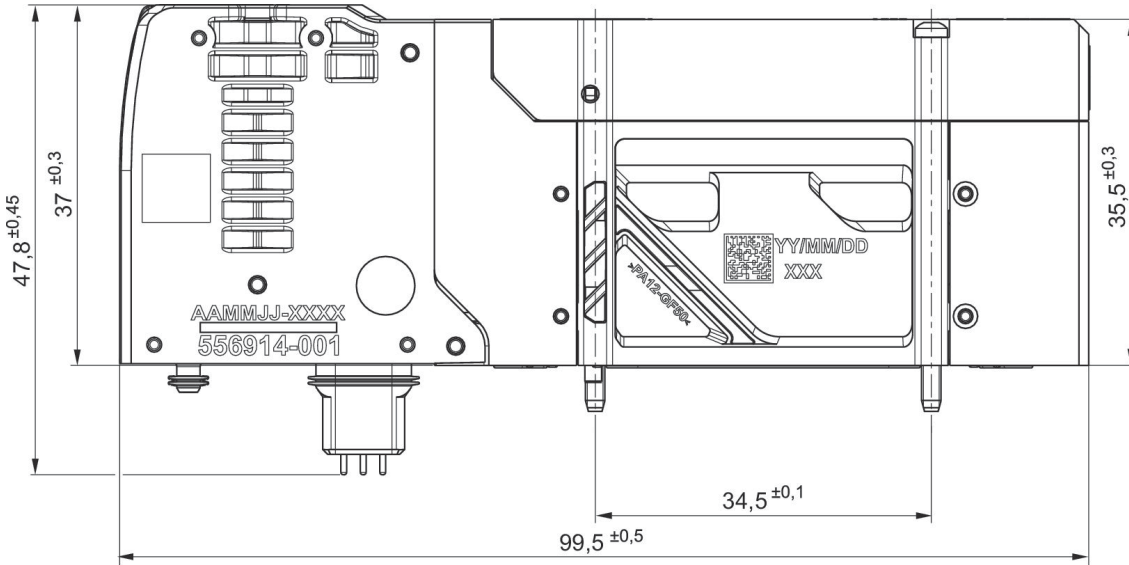
Control pressure min./max.: 3 bar ... 8 bar



	Switching principle	Operational voltage	Pilot	Manual override	Power consumption DC [W]	Max. working pressure [bar]	Typ. switch-on time [ms]	Part No.
	2x 3/2 NO/NO, with spring return	24 V DC	External	without detent	0.55	8	15	R572A2BABMA00F1
	2x 3/2 NC/NC, with spring return	24 V DC	External	without detent	0.55	8	15	R572A2BDBMA00F1
	2x 3/2 NC/NO, with spring return	24 V DC	External	without detent	0.55	8	15	R572A2BFBMA00F1
	2x 3/2 NO/NO, with spring return	24 V DC	External	with detent	0.55	8	15	R572A2CABMA00F1
	2x 3/2 NC/NO, with spring return	24 V DC	External	with detent	0.55	8	15	R572A2CDBMA00F1
	2x 3/2 NC/NO, with spring return	24 V DC	External	with detent	0.55	8	15	R572A2CFBMA00F1

Typ. switch-off time [ms]	Part No.
30	R572A2BABMA00F1
30	R572A2BDBMA00F1
30	R572A2BFBMA00F1
30	R572A2CABMA00F1
30	R572A2CDBMA00F1
30	R572A2CFBMA00F1

Dimensions



- 1) with detent
- 2) without detent
- 3) Ports: M7

**5/2-directional valve, Series XV03**

Flow: 345 l/min

Activation: Electrically operated

Duty cycle: 100 %

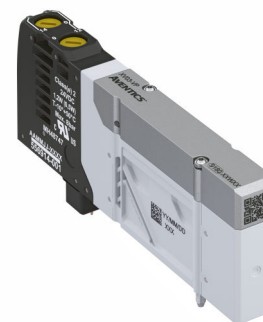
Type: Spool valve, positive overlapping

Ambient temperature min./max.: -10 °C ... 50 °C

Medium temperature min./max.: -10 °C ... 50 °C

Working pressure min./max.: -0.95 bar ... 8 bar

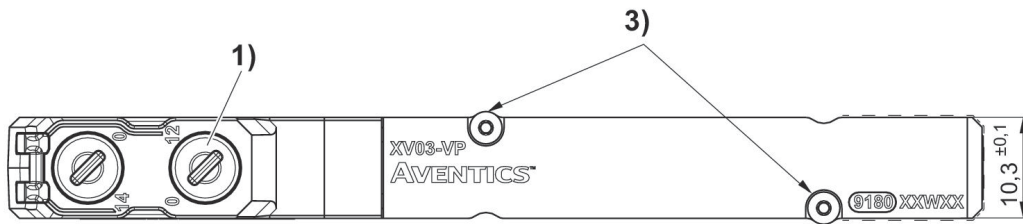
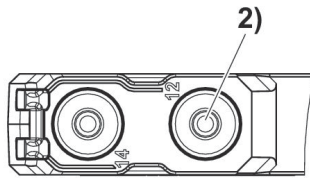
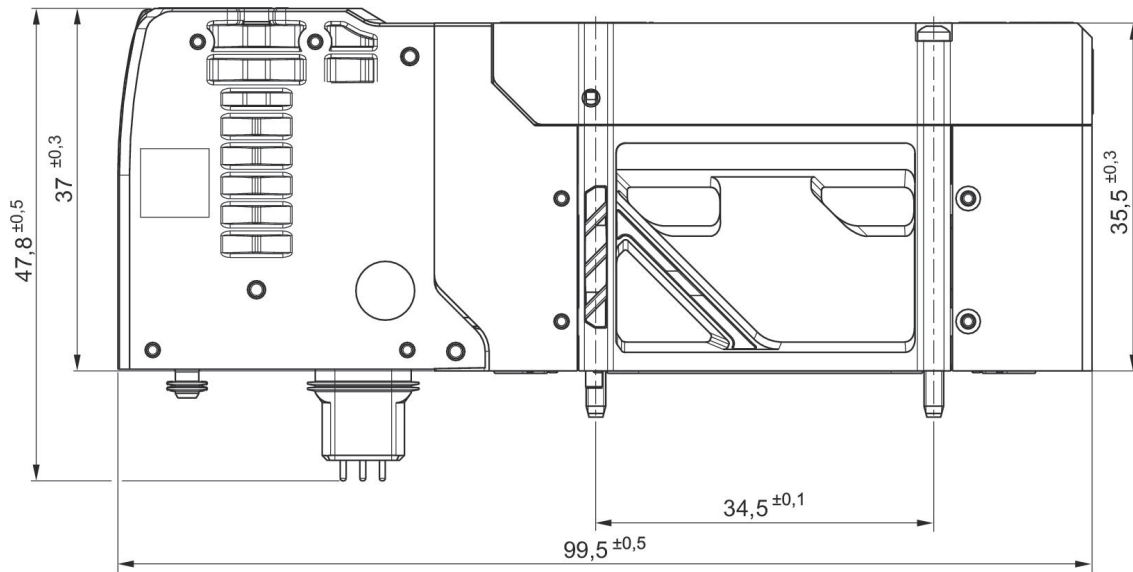
Control pressure min./max.: 3 bar ... 8 bar



	Switching principle	Operational voltage	Pilot	Manual override	Power consumption DC [W]	Max. working pressure [bar]	Typ. switch-on time [ms]	Part No.
	5/2, with spring return	24 V DC	External	without detent	0.55	8	15	R572A2B10MA00F1
	5/2, with spring return	24 V DC	External	with detent	0.55	8	15	R572A2C10MA00F1
	5/2, with air spring return	24 V DC	External	without detent	0.55	8	15	R572A2BN0MA00F1
	5/2, with air spring return	24 V DC	External	with detent	0.55	8	15	R572A2CN0MA00F1
	5/2, double solenoid	24 V DC	External	without detent	0.55	8	15	R572A2B40MA00F1
	5/2, double solenoid	24 V DC	External	with detent	0.55	8	15	R572A2C40MA00F1

Typ. switch-off time [ms]	Part No.
30	R572A2B10MA00F1
30	R572A2C10MA00F1
30	R572A2BN0MA00F1
30	R572A2CN0MA00F1
	R572A2B40MA00F1
	R572A2C40MA00F1

Dimensions



- 1) with detent
- 2) without detent
- 3) Tightening torque: 0,25 Nm 0/+0,05 Nm

**5/2-directional valve, Series XV03**

Flow: 345 l/min

Activation: Electrically operated

Duty cycle: 100 %

Type: Spool valve, positive overlapping

Ambient temperature min./max.: -10 °C ... 50 °C

Medium temperature min./max.: -10 °C ... 50 °C

Working pressure min./max.: -0.95 bar ... 8 bar

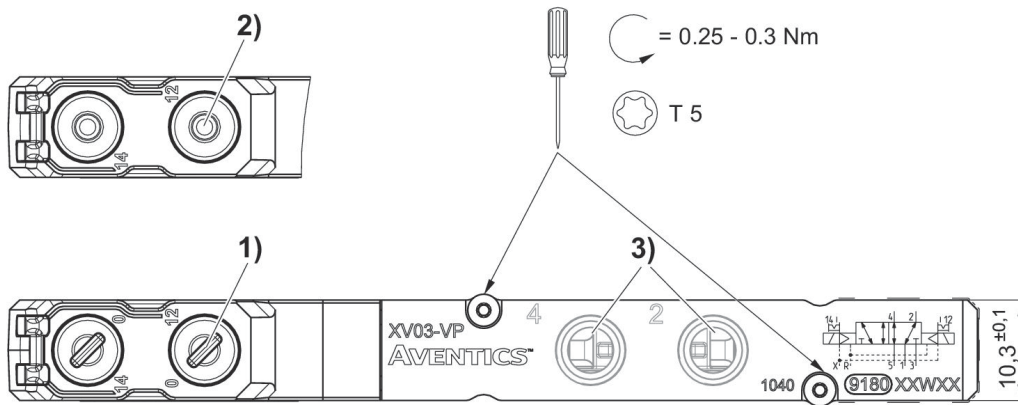
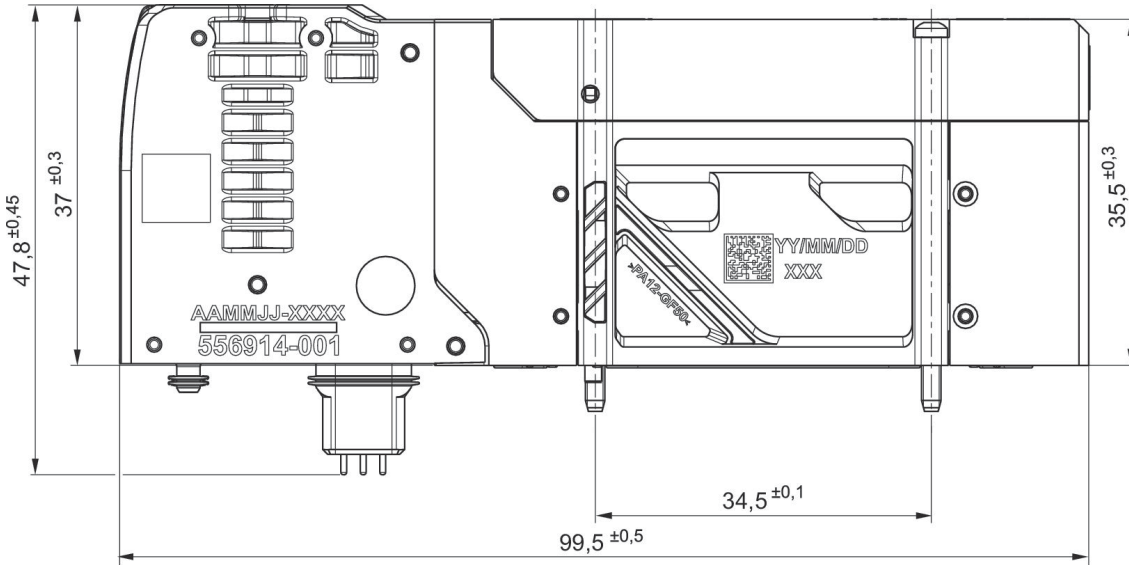
Control pressure min./max.: 3 bar ... 8 bar



	Switching principle	Operational voltage	Pilot	Manual override	Power consumption DC [W]	Max. working pressure [bar]	Typ. switch-on time [ms]	Part No.
	5/2, with spring return	24 V DC	External	without detent	0.55	8	15	R572A2B1BMA00F1
	5/2, with spring return	24 V DC	External	with detent	0.55	8	15	R572A2C1BMA00F1
	5/2, with air spring return	24 V DC	External	without detent	0.55	8	15	R572A2BNBMA00F1
	5/2, with air spring return	24 V DC	External	with detent	0.55	8	15	R572A2CNBMA00F1
	5/2, double solenoid	24 V DC	External	without detent	0.55	8	15	R572A2B4BMA00F1
	5/2, double solenoid	24 V DC	External	with detent	0.55	8	15	R572A2C4BMA00F1

Typ. switch-off time [ms]	Part No.
30	R572A2B1BMA00F1
30	R572A2C1BMA00F1
30	R572A2BNBMA00F1
30	R572A2CNBMA00F1
	R572A2B4BMA00F1
	R572A2C4BMA00F1

Dimensions



- 1) with detent
- 2) without detent
- 3) Ports: M7

**5/3-directional valve, Series XV03**

Flow: 280 l/min

Activation: Electrically operated

Duty cycle: 100 %

Type: Spool valve, positive overlapping

Ambient temperature min./max.: -10 °C ... 50 °C

Medium temperature min./max.: -10 °C ... 50 °C

Working pressure min./max.: -0.95 bar ... 8 bar

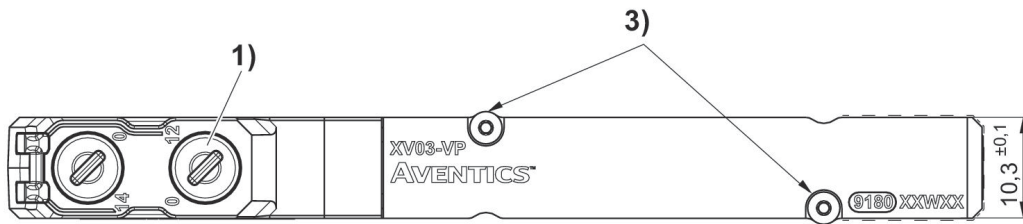
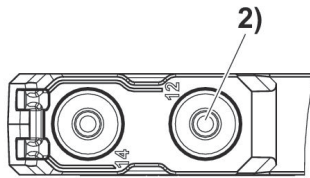
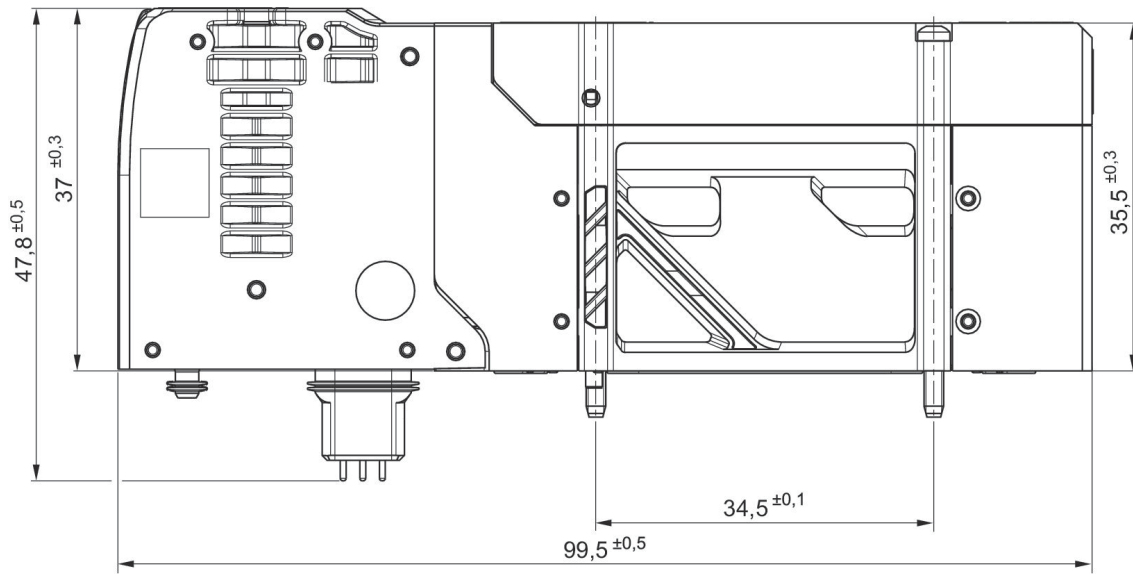
Control pressure min./max.: 3.5 bar ... 8 bar



	Switching principle	Operational voltage	Pilot	Manual override	Power consumption DC [W]	Max. working pressure [bar]	Typ. switch-on time [ms]	Part No.
	5/3, pressurized center	24 V DC	External	without detent	0.55	8	15	R572A2B50MA00F1
	5/3, closed center	24 V DC	External	without detent	0.55	8	15	R572A2B60MA00F1
	5/3, exhausted center	24 V DC	External	without detent	0.55	8	15	R572A2B70MA00F1
	5/3, pressurized center	24 V DC	External	with detent	0.55	8	15	R572A2C50MA00F1
	5/3, closed center	24 V DC	External	with detent	0.55	8	15	R572A2C60MA00F1
	5/3, exhausted center	24 V DC	External	with detent	0.55	8	15	R572A2C70MA00F1

Typ. switch-off time [ms]	Part No.
30	R572A2B50MA00F1
	R572A2B60MA00F1
30	R572A2B70MA00F1
30	R572A2C50MA00F1
	R572A2C60MA00F1
30	R572A2C70MA00F1

Dimensions



- 1) with detent
- 2) without detent
- 3) Tightening torque: 0,25 Nm 0/+0,05 Nm

**5/3-directional valve, Series XV03**

Flow: 280 l/min

Activation: Electrically operated

Duty cycle: 100 %

Type: Spool valve, positive overlapping

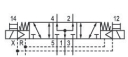
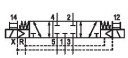

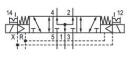
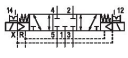
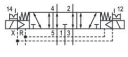
Ambient temperature min./max.: -10 °C ... 50 °C

Medium temperature min./max.: -10 °C ... 50 °C

Working pressure min./max.: -0.95 bar ... 8 bar

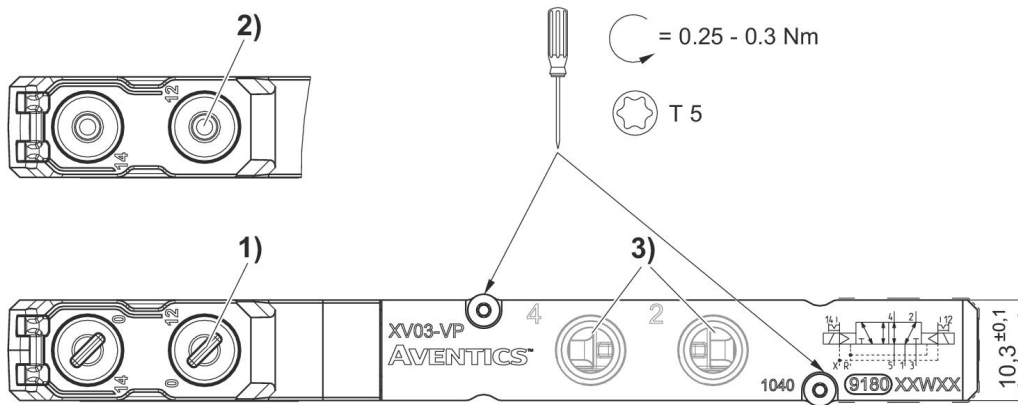
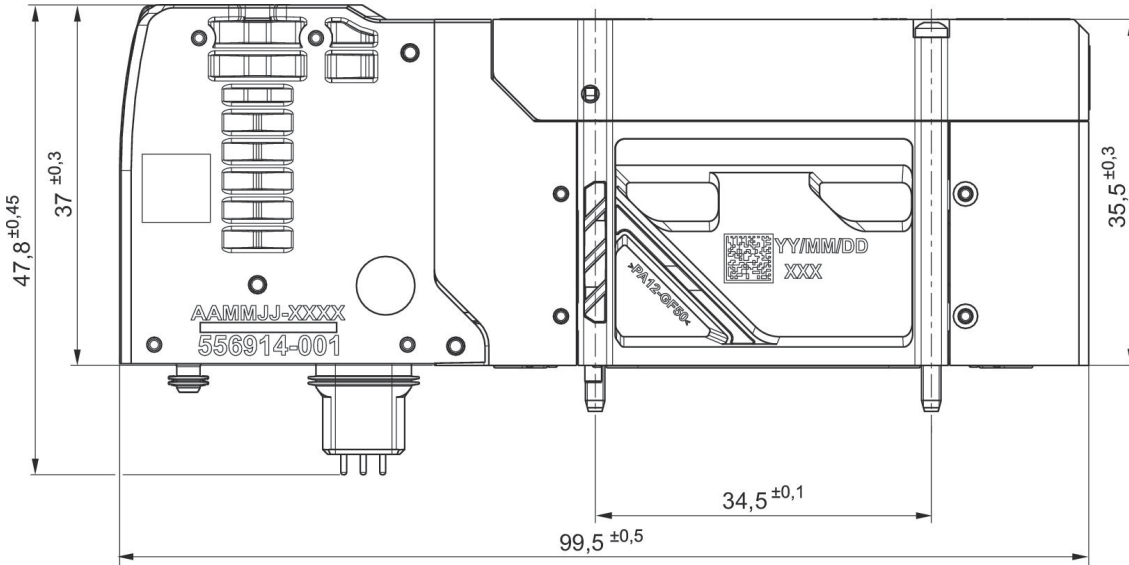
Control pressure min./max.: 3.5 bar ... 8 bar



	Switching principle	Operational voltage	Pilot	Manual override	Power consumption DC [W]	Max. working pressure [bar]	Typ. switch-on time [ms]	Part No.
	5/3, pressurized center	24 V DC	External	without detent	0.55	8	15	R572A2B5BMA00F1
	5/3, closed center	24 V DC	External	without detent	0.55	8	15	R572A2B6BMA00F1
	5/3, exhausted center	24 V DC	External	without detent	0.55	8	15	R572A2B7BMA00F1
	5/3, pressurized center	24 V DC	External	with detent	0.55	8	15	R572A2C5BMA00F1
	5/3, closed center	24 V DC	External	with detent	0.55	8	15	R572A2C6BMA00F1
	5/3, exhausted center	24 V DC	External	with detent	0.55	8	15	R572A2C7BMA00F1

Typ. switch-off time [ms]	Part No.
30	R572A2B5BMA00F1
	R572A2B6BMA00F1
30	R572A2B7BMA00F1
30	R572A2C5BMA00F1
	R572A2C6BMA00F1
30	R572A2C7BMA00F1

Dimensions



- 1) with detent
- 2) without detent
- 3) Ports: M7

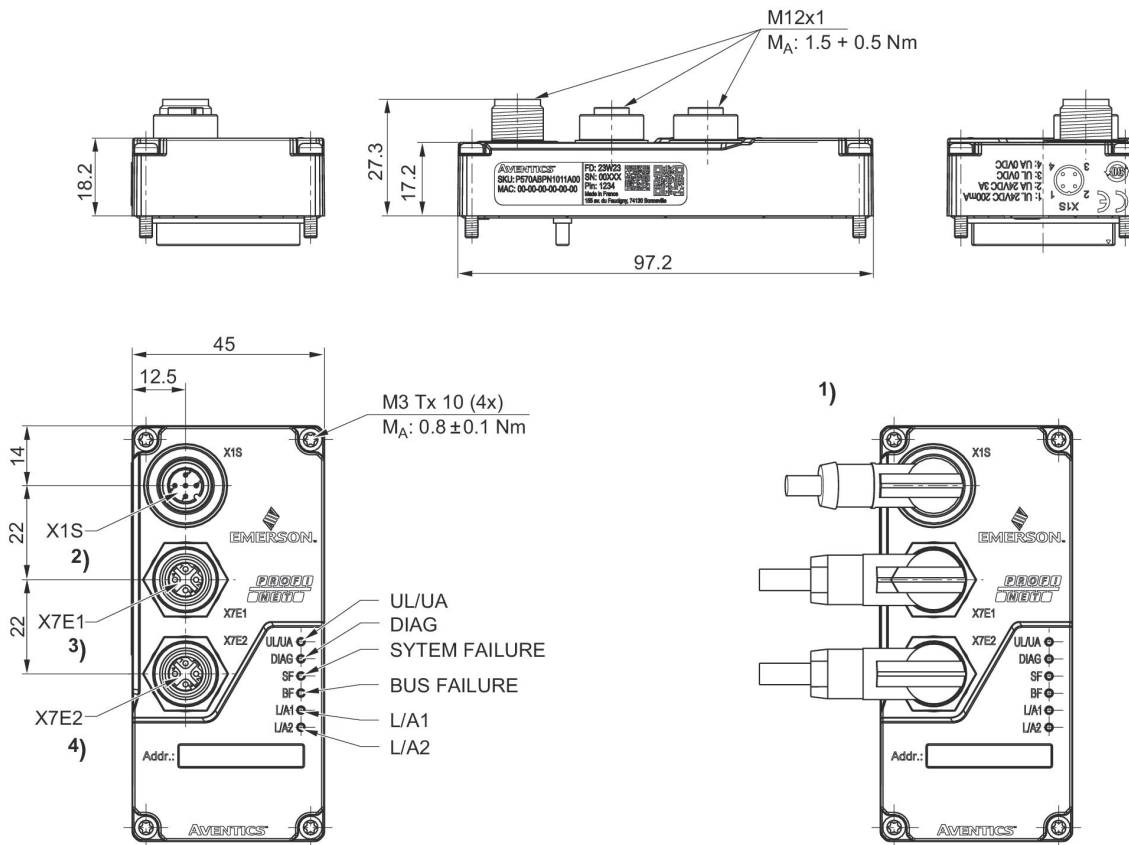
### Bus coupler, series XVES Profinet

Ambient temperature min./max.: -10 °C ... 50 °C



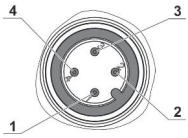
Fieldbus protocol	Power plug IN, Type	Power plug IN size, Thread size	Power plug IN, Number of poles	Number of I/O connections	Part No.
Profinet	Plug (male)	M12x1	4-pin	48 outputs	P570ABPN1011A00

Dimensions



- 1) Cable exit direction – angle plug
- 2) Power plug
- 3) Communication port 1
- 4) Communication port 2

**P570ABPN1011A00**



X1S

Pin	
1	24 V DC (UL)
2	24 V DC (UA)
3	0 V DC (UL)
4	0 V DC (UA)

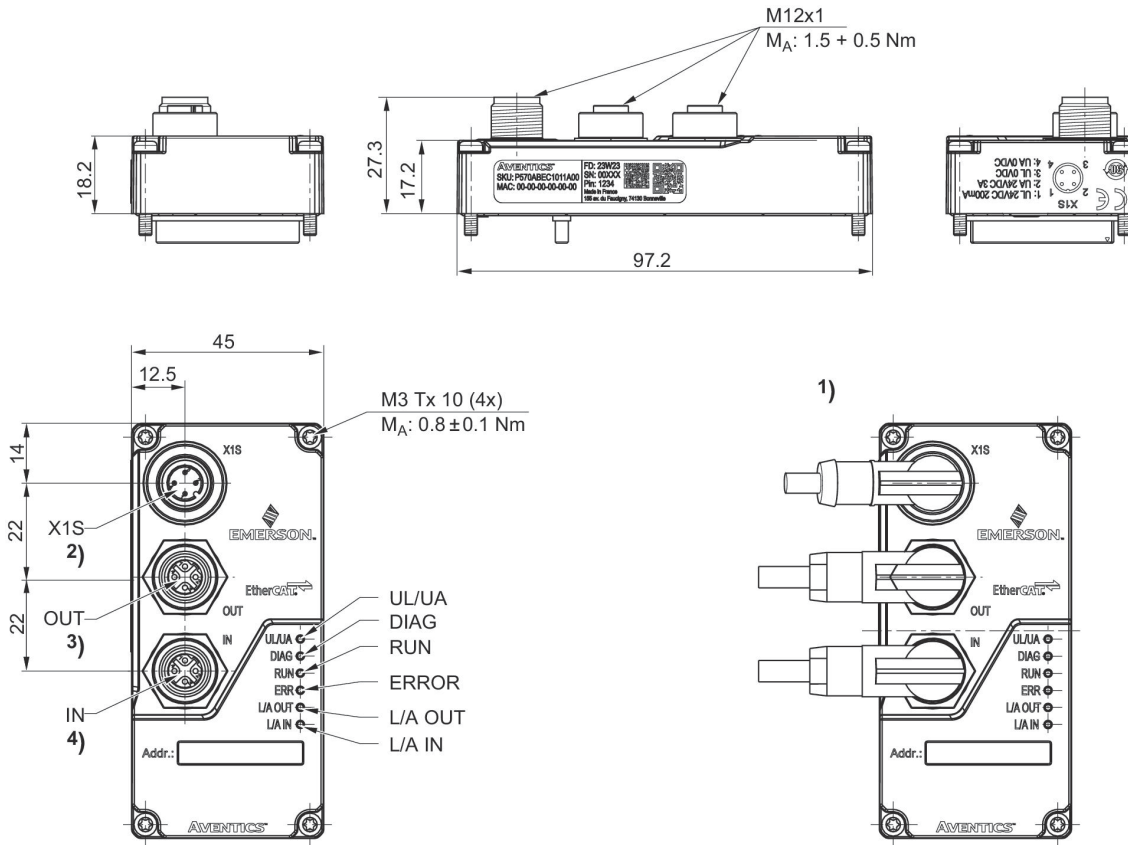
### Bus coupler, series XVES EtherCAT

Ambient temperature min./max.: -10 °C ... 50 °C



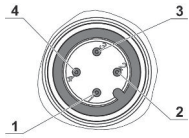
Fieldbus protocol	Power plug IN, Type	Power plug IN size, Thread size	Power plug IN, Number of poles	Number of I/O connections	Part No.
EtherCAT	Plug (male)	M12x1	4-pin	48 outputs	P570ABEC1011A00

Dimensions



- 1) Cable exit direction – angle plug
- 2) Power plug
- 3) Communication port 1
- 4) Communication port 2

**P570ABEC1011A00**



X1S

Pin	
1	24 V DC (UL)
2	24 V DC (UA)
3	0 V DC (UL)
4	0 V DC (UA)

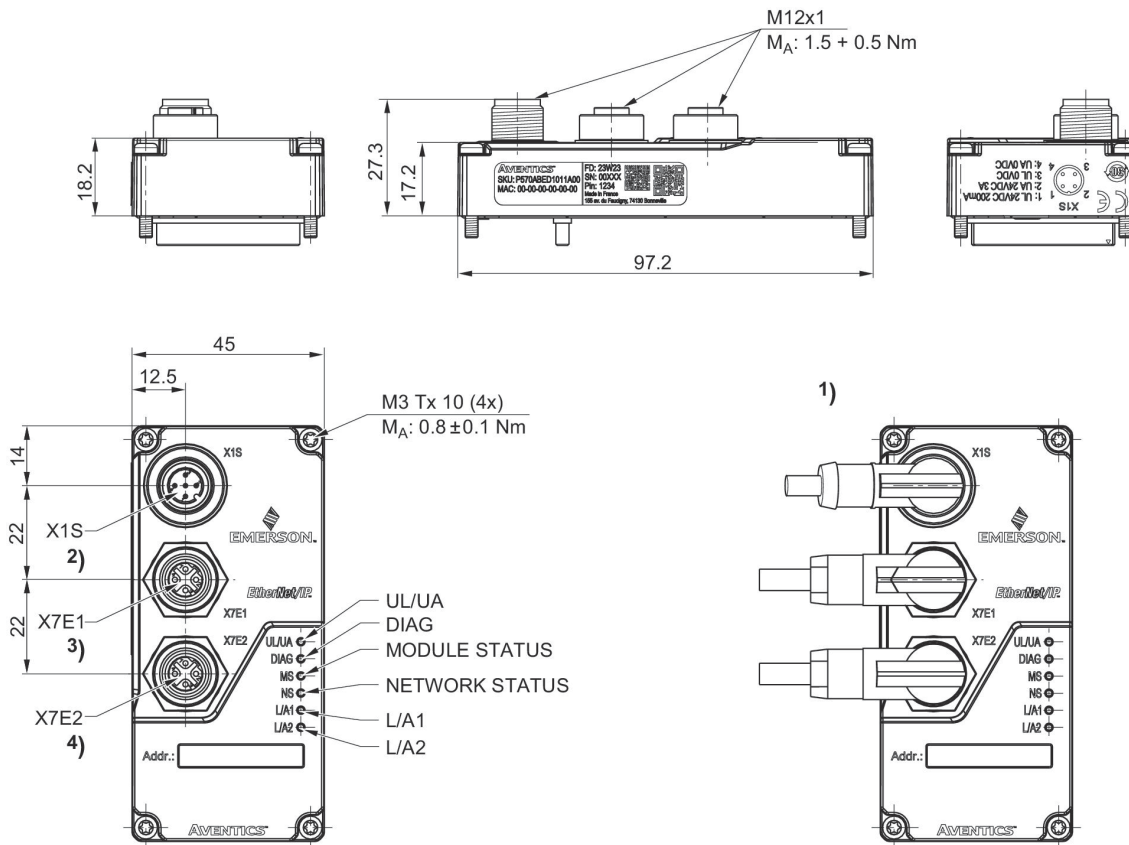
### Bus coupler, series XVES EtherNet/IP

Ambient temperature min./max.: -10 °C ... 50 °C



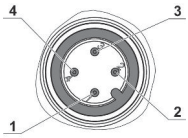
Fieldbus protocol	Power plug IN, Type	Power plug IN size, Thread size	Power plug IN, Number of poles	Number of I/O connections	Part No.
EtherNet/IP	Plug (male)	M12x1	4-pin	48 outputs	P570ABED1011A00

Dimensions



- 1) Cable exit direction – angle plug
- 2) Power plug
- 3) Communication port 1
- 4) Communication port 2

**P570ABED1011A00**



X1S

Pin	
1	24 V DC (UL)
2	24 V DC (UA)
3	0 V DC (UL)
4	0 V DC (UA)

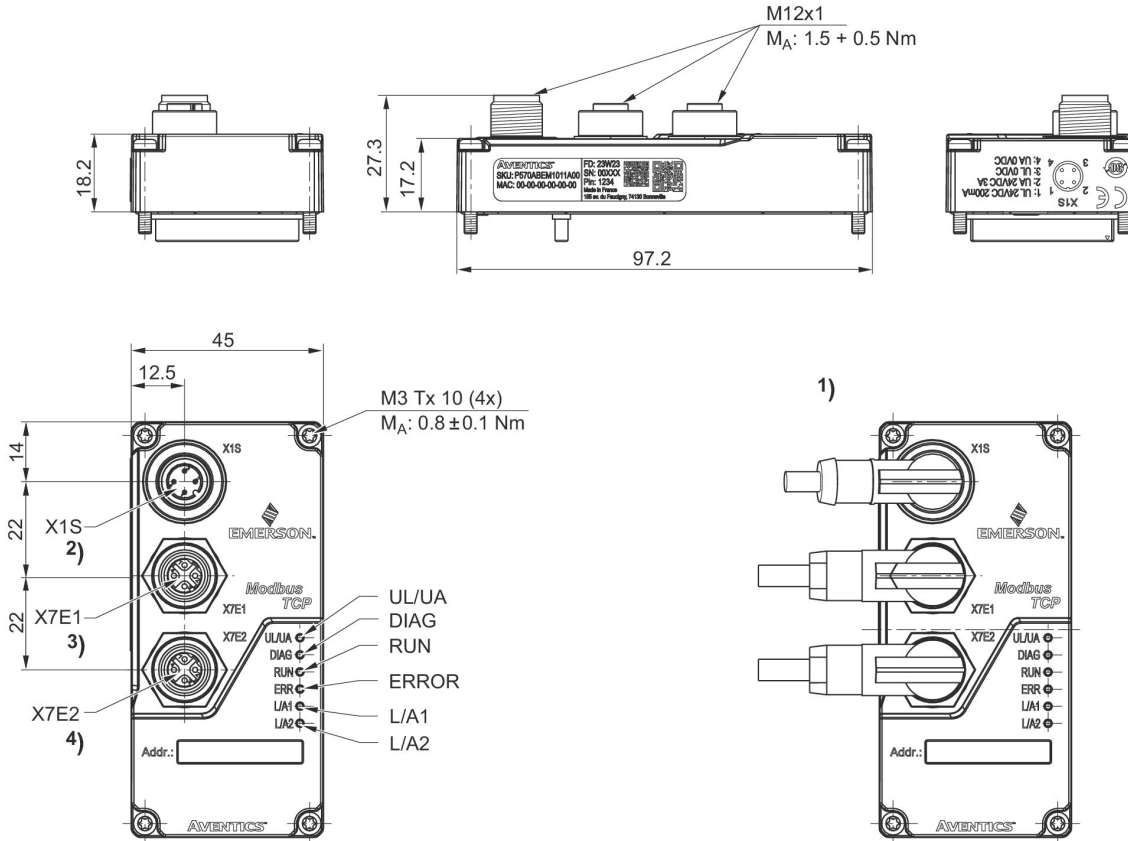
### Bus coupler, series XVES Modbus TCP

Ambient temperature min./max.: -10 °C ... 50 °C



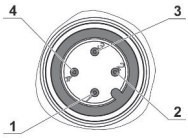
Fieldbus protocol	Power plug IN, Type	Power plug IN size, Thread size	Power plug IN, Number of poles	Number of I/O connections	Part No.
MODBUS TCP	Plug (male)	M12x1	4-pin	48 outputs	P570ABEM1011A00

Dimensions



- 1) Cable exit direction – angle plug
- 2) Power plug
- 3) Communication port 1
- 4) Communication port 2

**P570ABEM1011A00**



X1S

Pin	
1	24 V DC (UL)
2	24 V DC (UA)
3	0 V DC (UL)
4	0 V DC (UA)

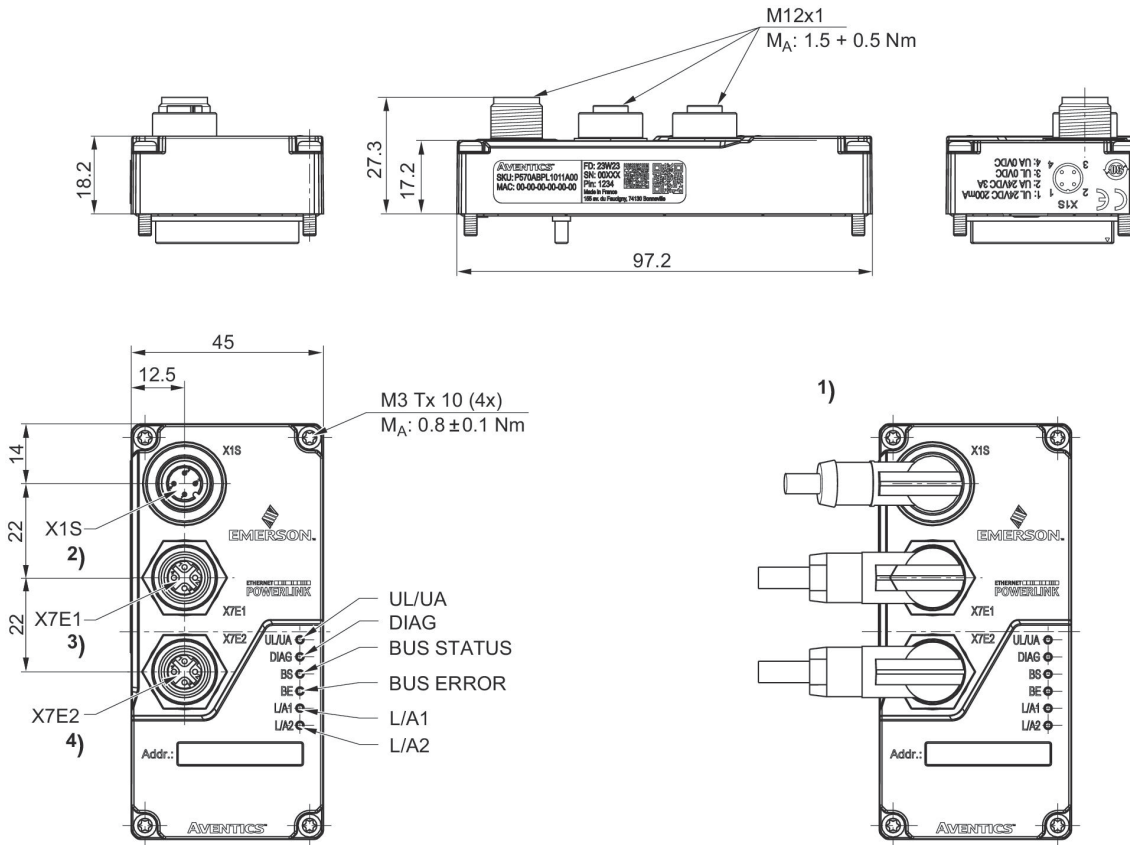
### Bus coupler, series XVES POWERLINK

Ambient temperature min./max.: -10 °C ... 50 °C



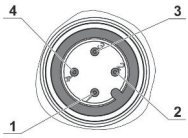
Fieldbus protocol	Power plug IN, Type	Power plug IN size, Thread size	Power plug IN, Number of poles	Number of I/O connections	Part No.
POWERLINK	Plug	M12x1	4-pin	48 outputs	P570ABPL1011A00

Dimensions



- 1) Cable exit direction – angle plug
- 2) Power plug
- 3) Communication port 1
- 4) Communication port 2

**P570ABPL1011A00**



X1S

Pin	
1	24 V DC (UL)
2	24 V DC (UA)
3	0 V DC (UL)
4	0 V DC (UA)

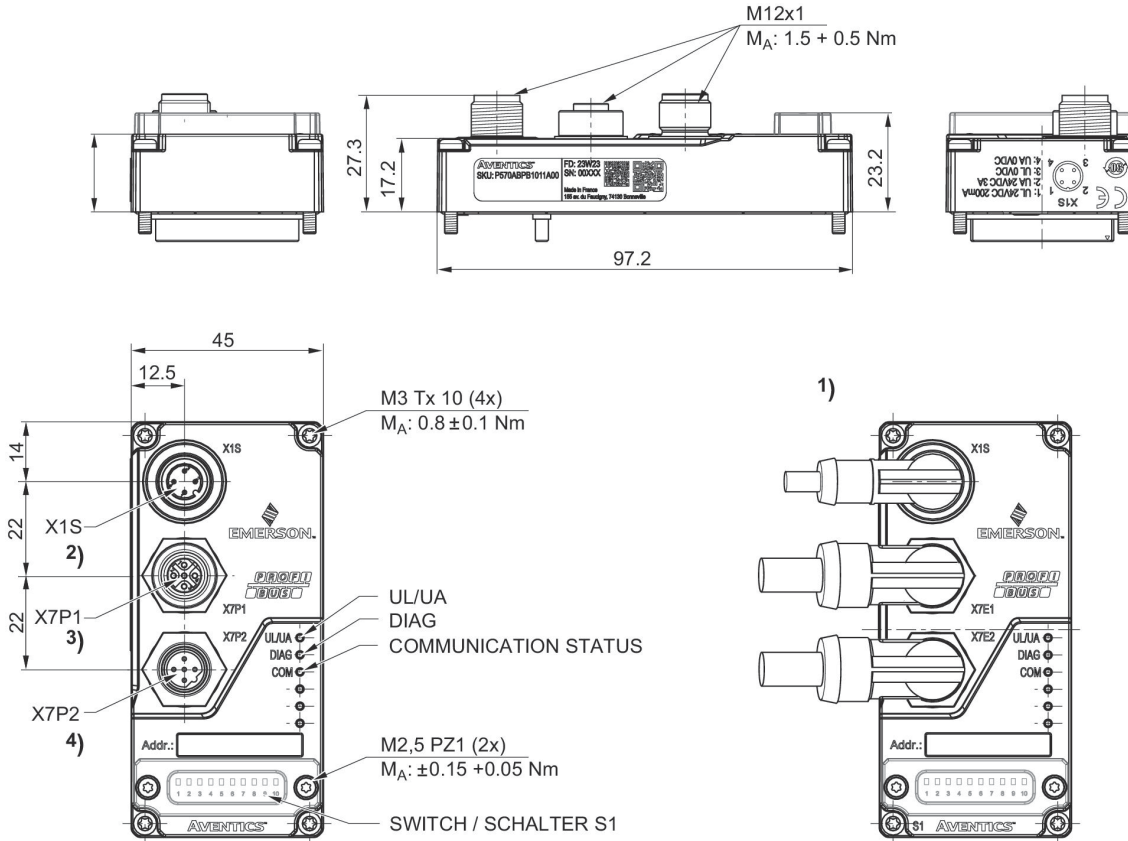
### Bus coupler, series XVES Profibus DP

Electrical connection 2, thread size: M12x1  
 Electrical connection 2, number of poles: 4-pin  
 Ambient temperature min./max.: -10 °C ... 50 °C



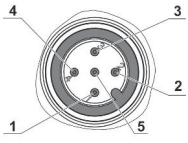
Fieldbus protocol	Power plug IN, Type	Power plug IN size, Thread size	Power plug IN, Number of poles	Number of I/O connections	Part No.
PROFIBUS DP	Plug	M12x1	4-pin	48 outputs	P570ABPB1011A00

Dimensions



- 1) Cable exit direction – angle plug
- 2) Power plug
- 3) Communication port 1
- 4) Communication port 2

**P570ABPB1011A00**



X7P2

Pin	
1	24 V DC (UL)
2	24 V DC (UA)
3	0 V DC (UL)
4	0 V DC (UA)

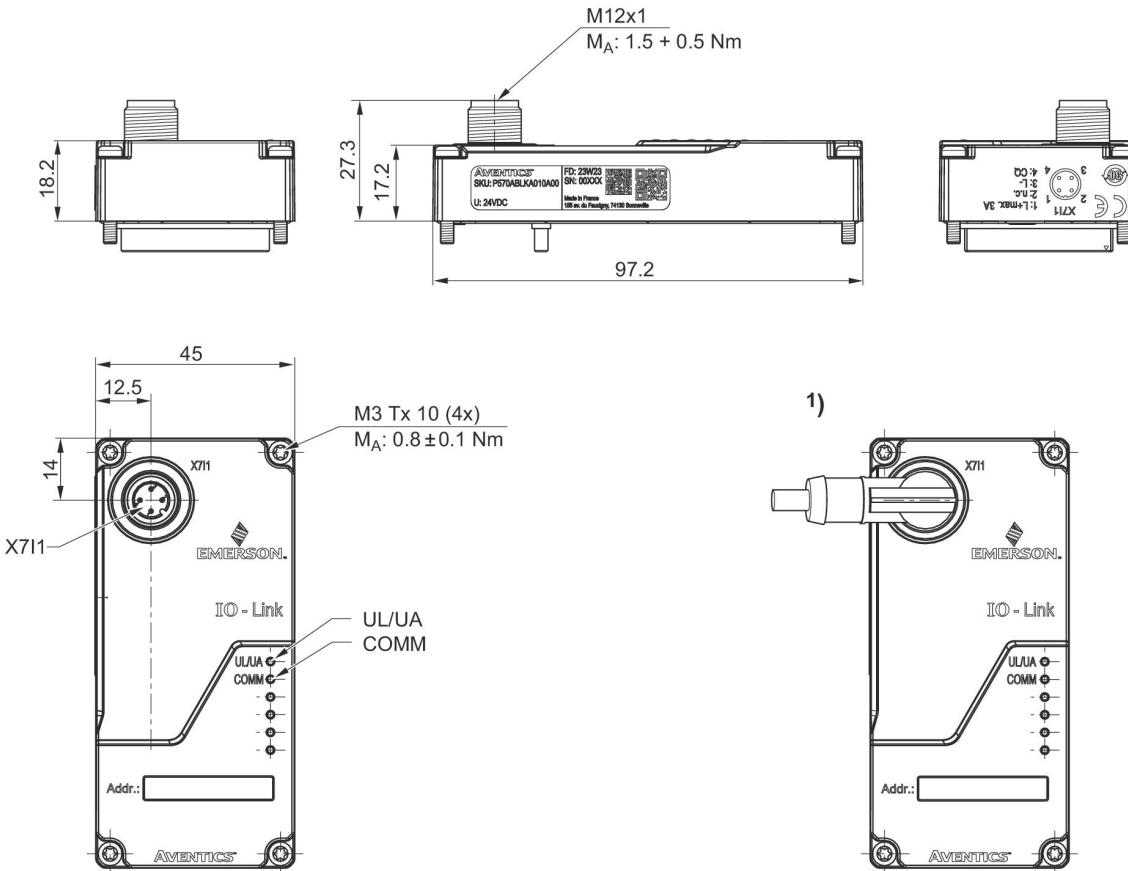
### Bus coupler, series XVES IO-Link

Electrical connection 2, thread size: M12x1  
 Electrical connection 2, number of poles: 4-pin  
 Ambient temperature min./max.: -10 °C ... 50 °C



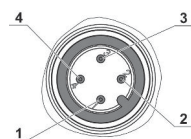
Fieldbus protocol	Power plug IN, Type	Power plug IN size, Thread size	Power plug IN, Number of poles	Number of I/O connections	Part No.
IO-Link type A	Plug	M12x1	4-pin	48 outputs	P570ABLKA010A00
IO-Link, type B	Plug	M12x1	5-pin	48 outputs	P570ABLKB010A00
IO-Link type AB	Plug	M12x1	4-pin	48 outputs	P570ABLM5010A00

Dimensions



1) Cable exit direction – angle plug

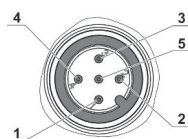
**P570ABLKA010A00**



X711

Pin	
1	L+
2	not connected
3	L-
4	CQ (IO link data)

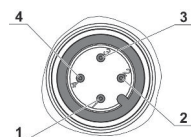
**P570ABLKB010A00**



X711

Pin	
1	L+ 24 V DC
2	2L+ 24 V DC
3	L-
4	CQ (IO link data)
5	2 L-
repeat-Column tablefooter	

**P570ABLM5010A00**



X711

Pin	
1	L+ 24 V DC
2	UA 24 V DC max. 3A
3	L-
4	CQ (IO link data)
repeat-Column tablefooter	

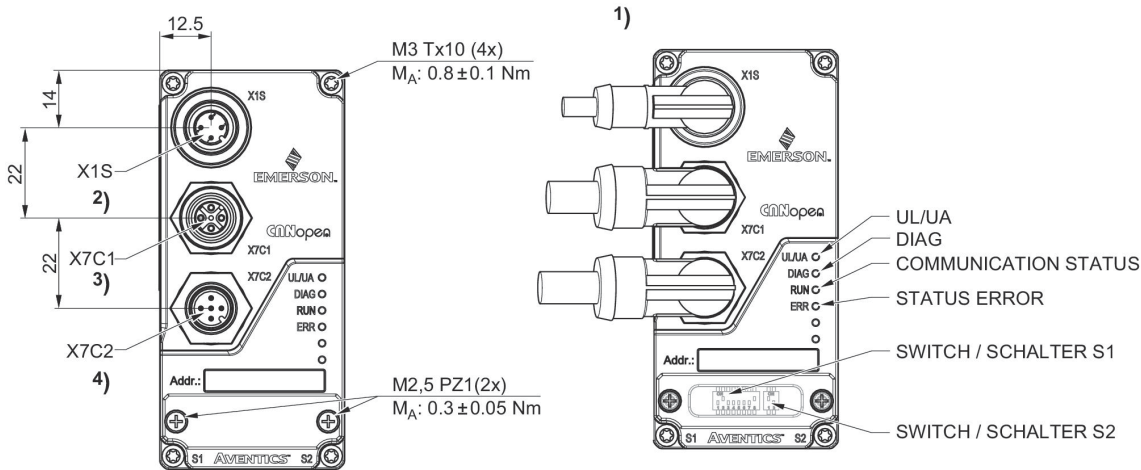
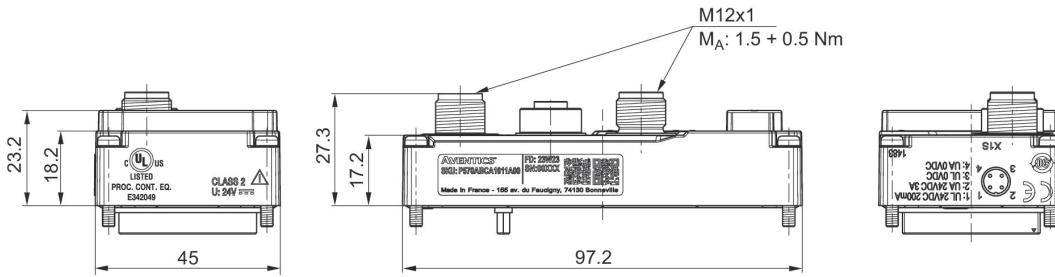
### Bus coupler, series XVES CANopen

Electrical connection 2, thread size: M12x1  
 Electrical connection 2, number of poles: 4-pin  
 Ambient temperature min./max.: -10 °C ... 50 °C



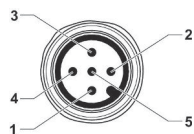
Fieldbus protocol	Power plug IN, Type	Power plug IN size, Thread size	Power plug IN, Number of poles	Number of I/O connections	Part No.
CANopen	Plug (male)	M12x1	4-pin	48 outputs	P570ABCA1011A00

Dimensions



- 1) Cable exit direction – angle plug
- 2) Power plug
- 3) Communication port 1
- 4) Communication port 2

**P570ABCA1011A00**

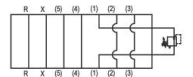


X7C2

Pin	
1	Shield
2	NC
3	CAN GND
4	CAN H
5	CAN L

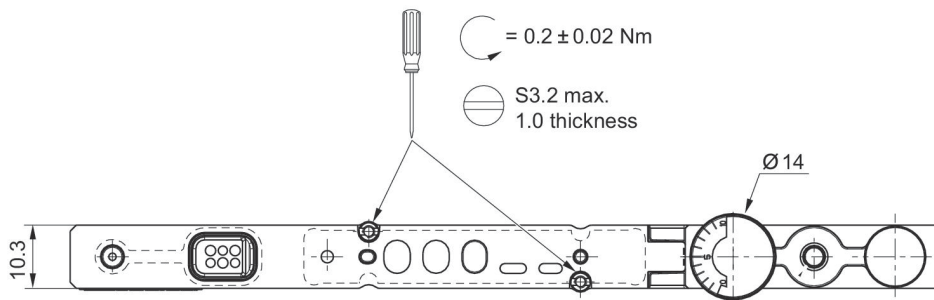
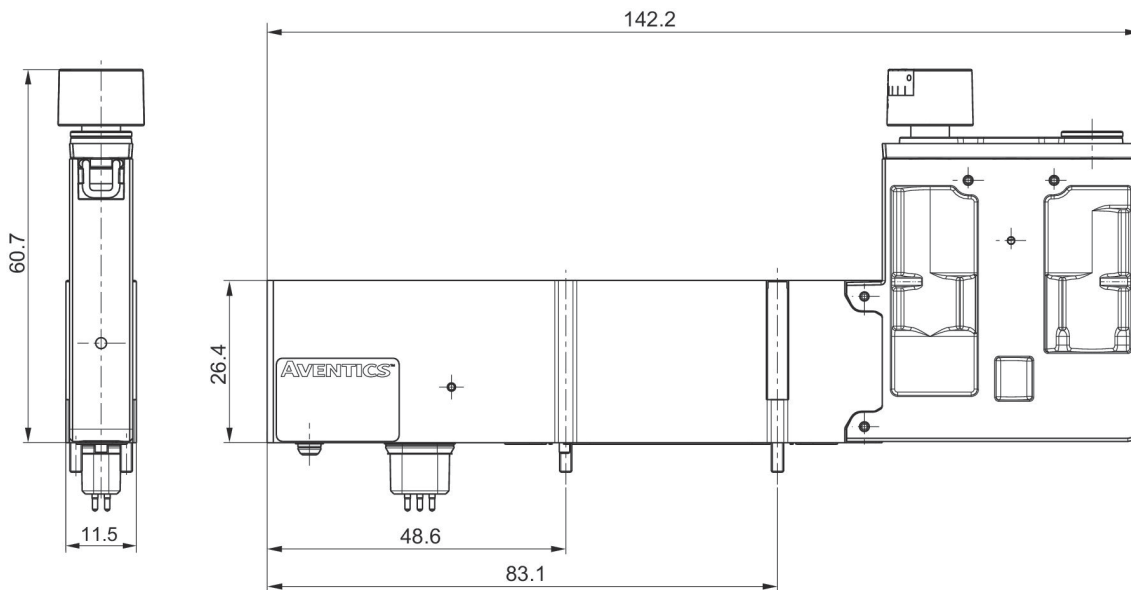
**Pressure regulator, Series XV03**

Ambient temperature min./max.: -10 °C ... 50 °C  
Medium temperature min./max.: -10 °C ... 50 °C



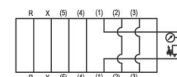
Min. regulation range [bar]	Max. regulation range [bar]	Type	Part No.
-0.95	8	without pressure gauge	R572ARS52JA0010

Dimensions



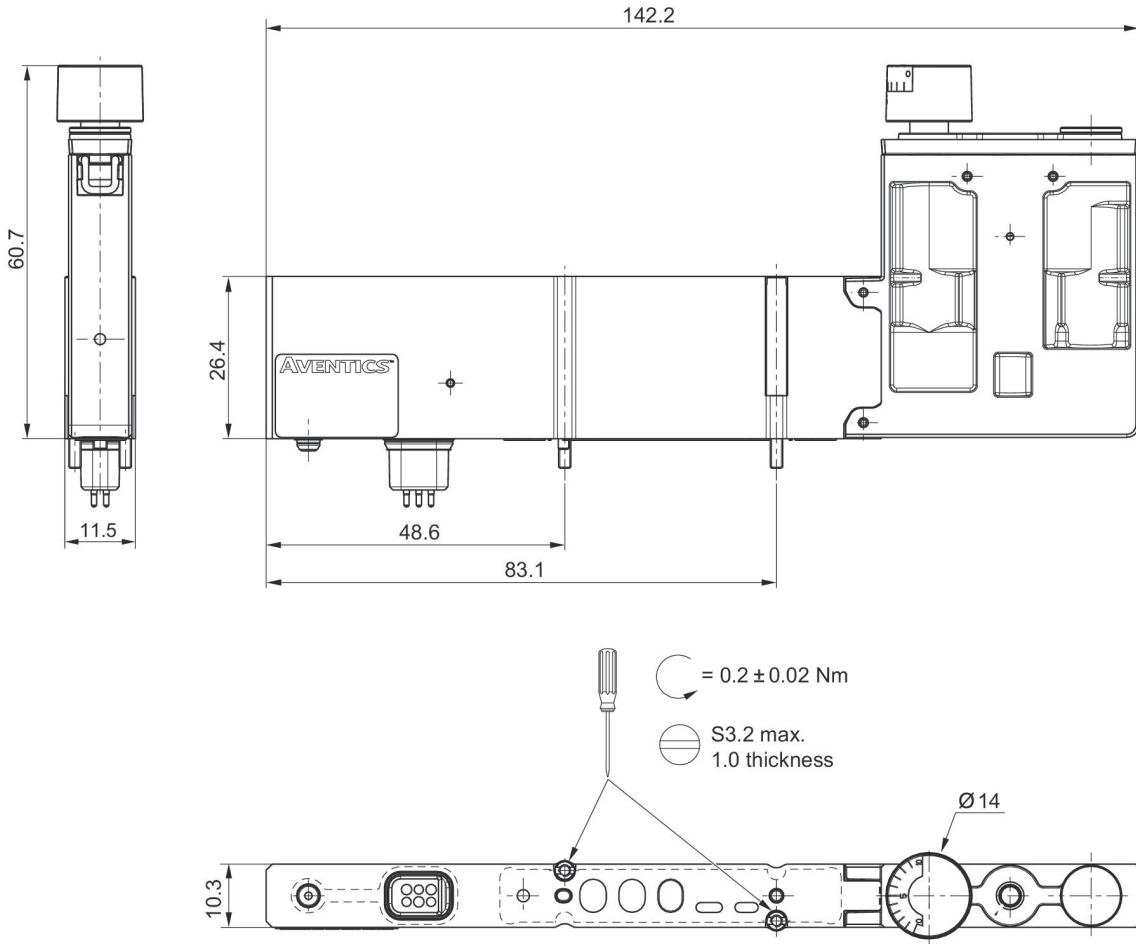
### Pressure regulator, Series XV03

Ambient temperature min./max.: -10 °C ... 50 °C  
Medium temperature min./max.: -10 °C ... 50 °C



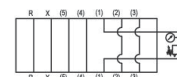
Min. regulation range [bar]	Max. regulation range [bar]	Type	Part No.
-0.95	8	With pressure gauge (units in psi) on inner position	R572ARS50JA0010
-0.95	8	With pressure gauge (units in bar) on inner position	R572ARS51JA0010

Dimensions



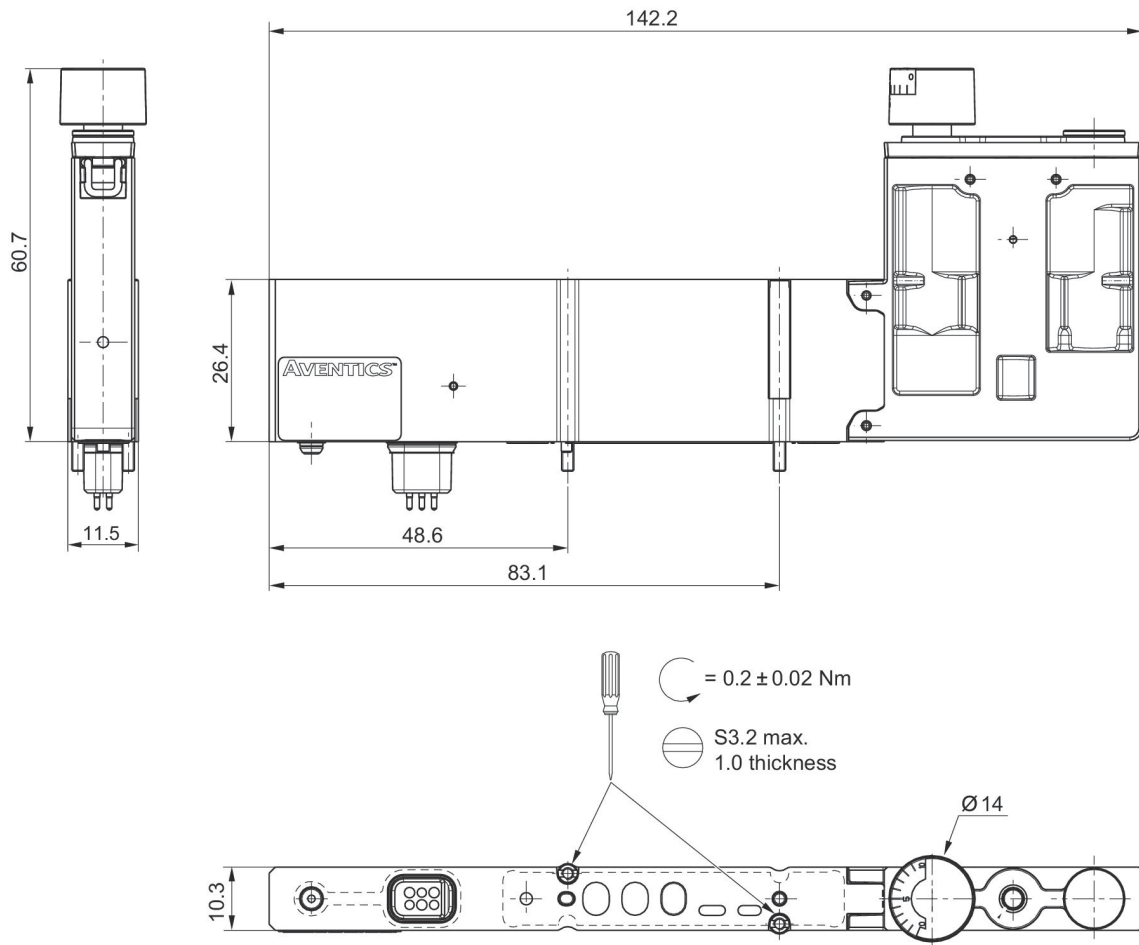
### Pressure regulator, Series XV03

Ambient temperature min./max.: -10 °C ... 50 °C  
Medium temperature min./max.: -10 °C ... 50 °C



Min. regulation range [bar]	Max. regulation range [bar]	Type	Part No.
-0.95	8	With pressure gauge (units in psi) on outer position	R572ARS50J18V10
-0.95	8	With pressure gauge (units in bar) on outer position	R572ARS51J18V10

Dimensions

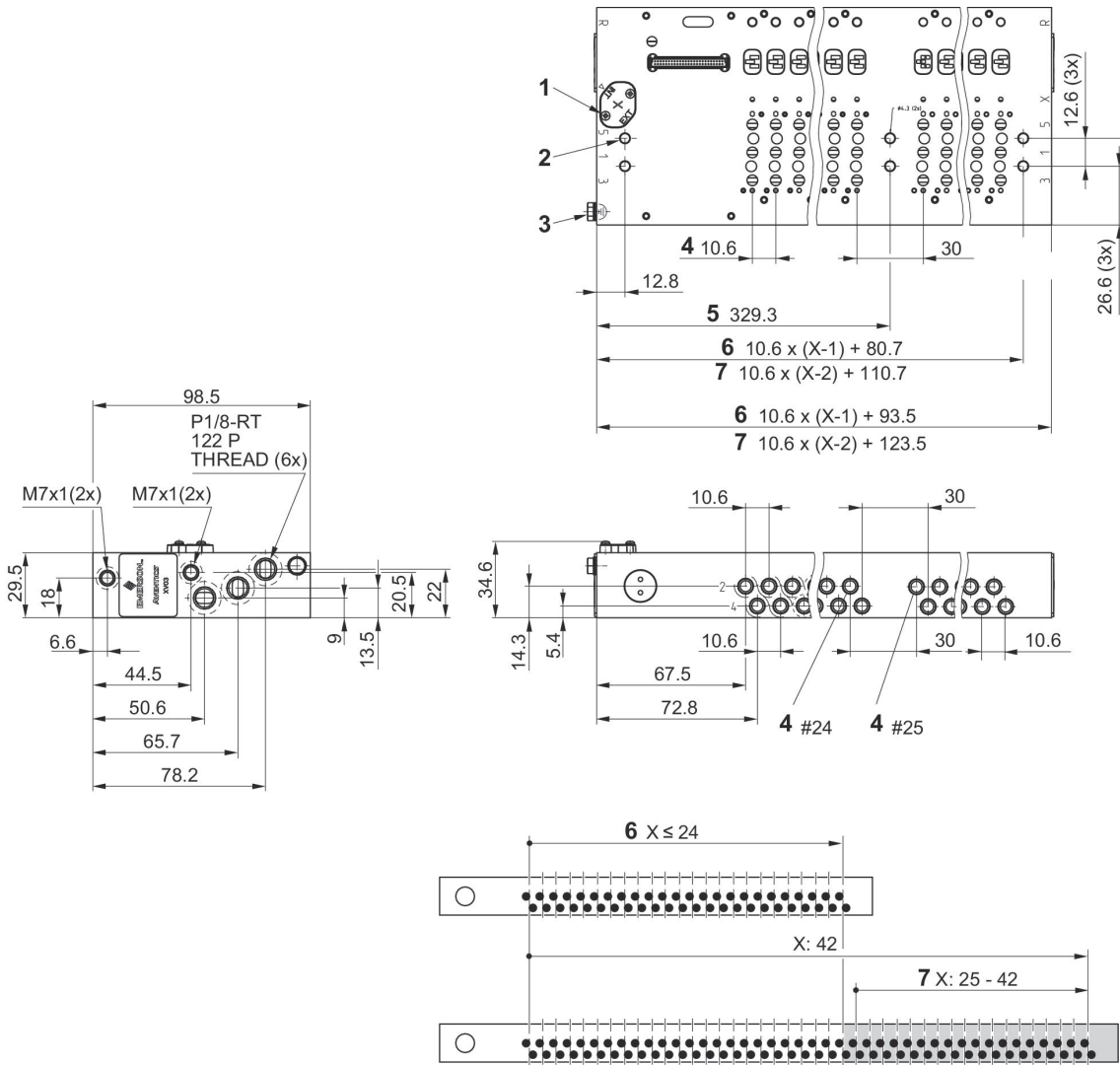


Base plate, series XV03, working connections on the side



Plate type	Max. number of valve positions	Part No.
Base plate	42	A572A00000012xx

Dimensions in mm



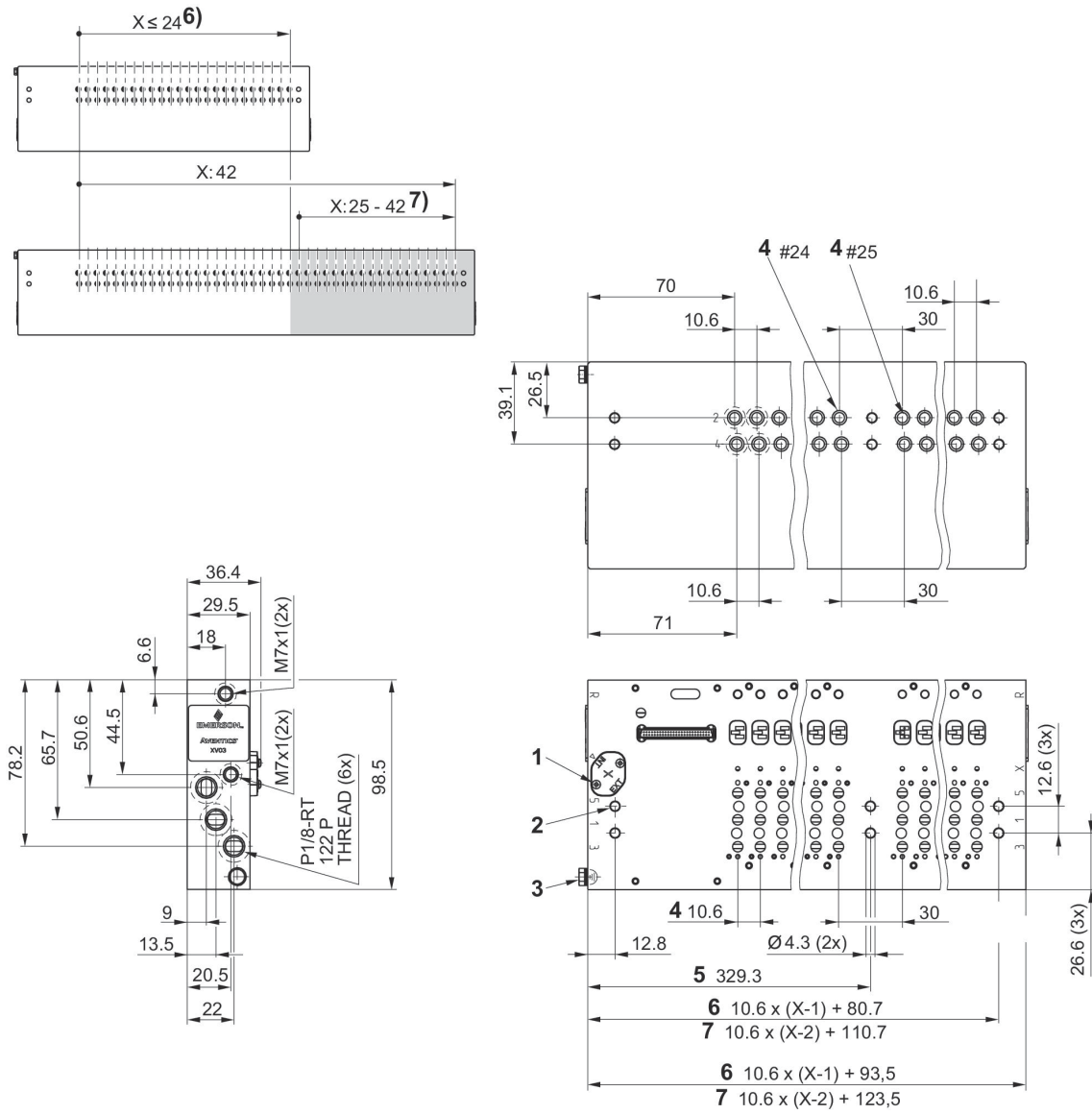
- 1) Mounting screw for the control plate
  - 2) Mounting hole  $\varnothing 4.3 (4x)$
  - 3) PE = Ground
  - 4) Station pitch
  - 5) Additional mounting holes for 25 stations or more
  - 6) For base plates with up to 24 valves
  - 7) For base plates with more than 25 valves
- X = number of valve positions

**Base plate, series XV03, working connections on bottom**



Plate type	Max. number of valve positions	Part No.
Base plate	42	A572A00000017xx

Dimensions



- 1) Mounting screw for the control plate
  - 2) Mounting hole  $\varnothing 4.3$  (4x)
  - 3) PE = Ground
  - 4) Station pitch
  - 5) Additional mounting holes for 25 stations or more
  - 6) For base plates with up to 24 valves
  - 7) For base plates with more than 25 valves
- X = number of valve positions

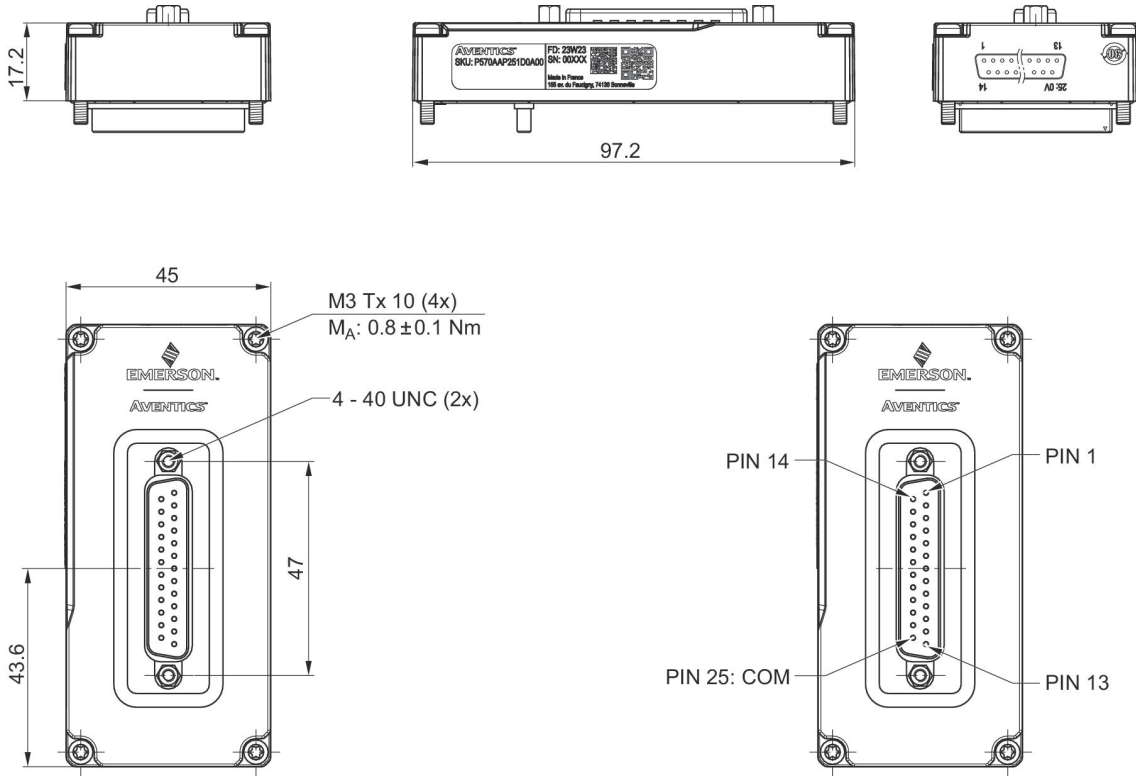
**Multipole connection, 25-pin, on top**

Ambient temperature min./max.: -10 °C ... 50 °C



Max. number of solenoid coils	Weight [kg]	Part No.
24	0.06	P570AAP251D0A00

Dimensions



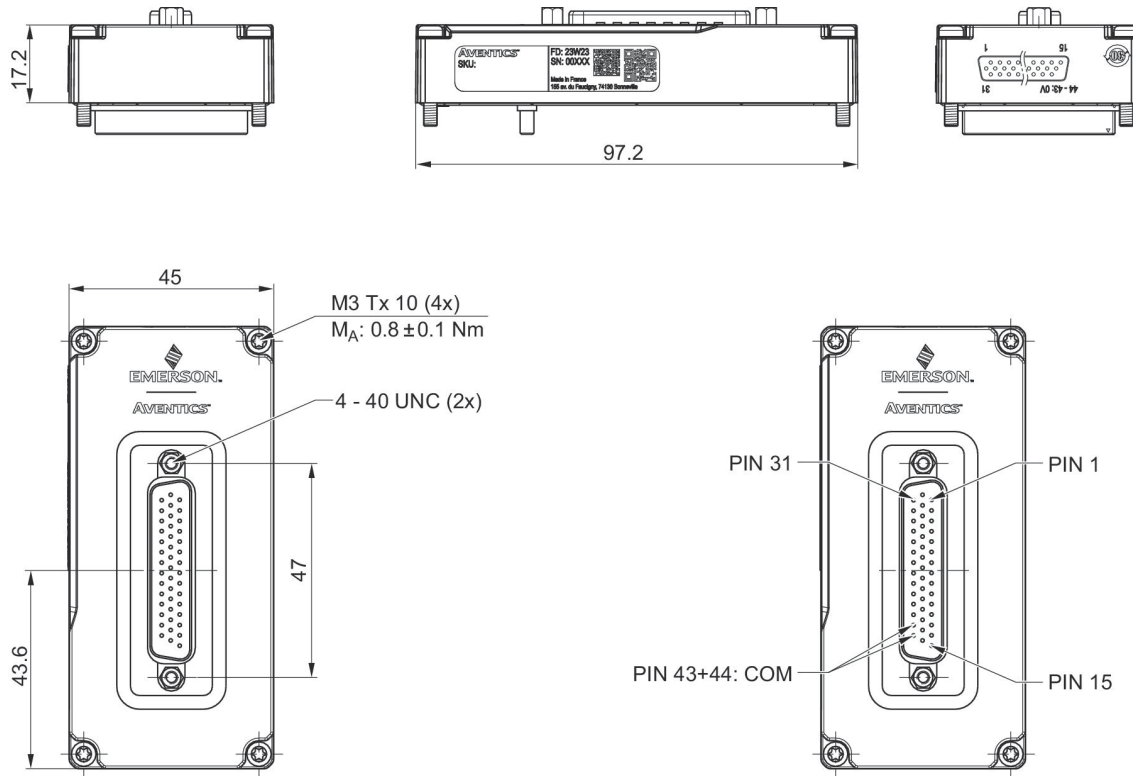
### Multipole connection, 44-pin, on top

Ambient temperature min./max.: -10 °C ... 50 °C



Max. number of solenoid coils	Weight [kg]	Part No.
42	0.08	P570AAP441D0A00

Dimensions



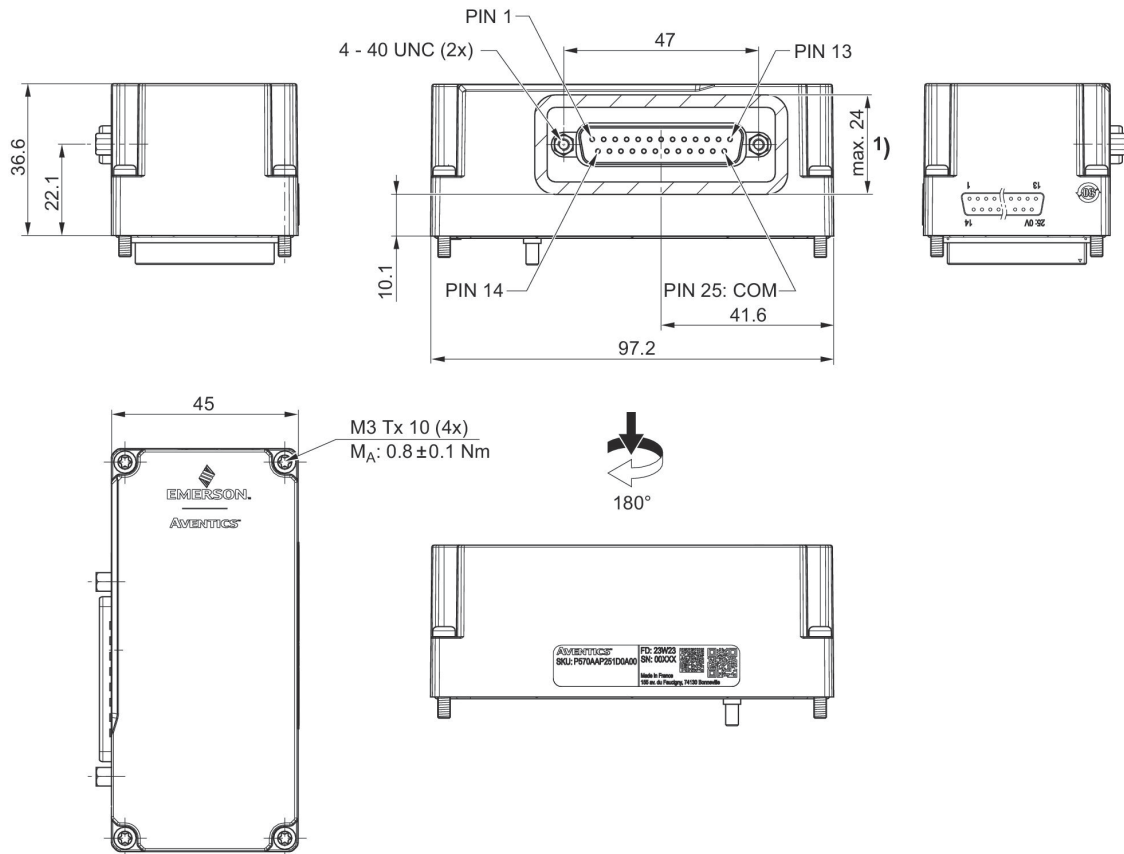
### Multipole connection, 25-pin, on the side

Ambient temperature min./max.: -10 °C ... 50 °C



Max. number of solenoid coils	Weight [kg]	Part No.
24	0.08	P570AAP251E0A00

#### Dimensions



1) For D-Sub plug

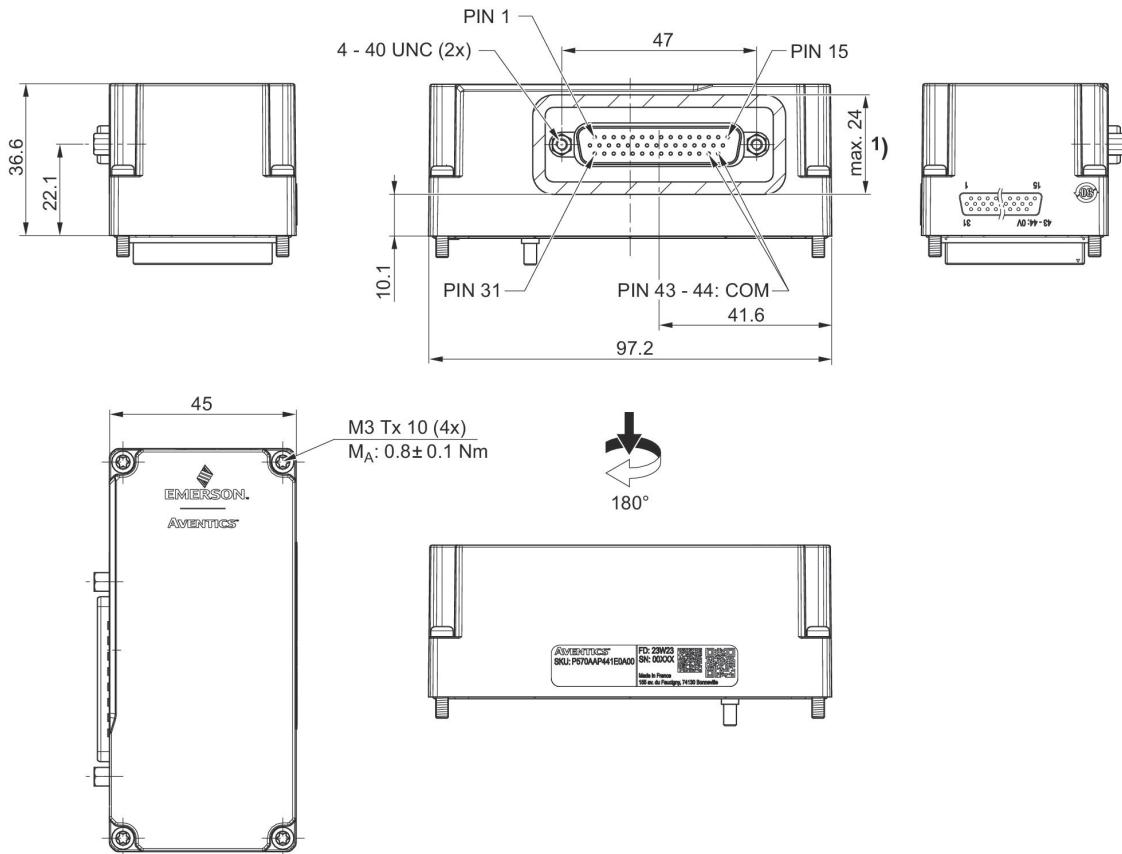
### Multipole connection, 44-pin, on the side

Ambient temperature min./max.: -10 °C ... 60 °C



Max. number of solenoid coils	Weight [kg]	Part No.
42	0.08	P570AAP441E0A00

#### Dimensions



1) For D-Sub plug

### Multipole connection, terminal 27, on top

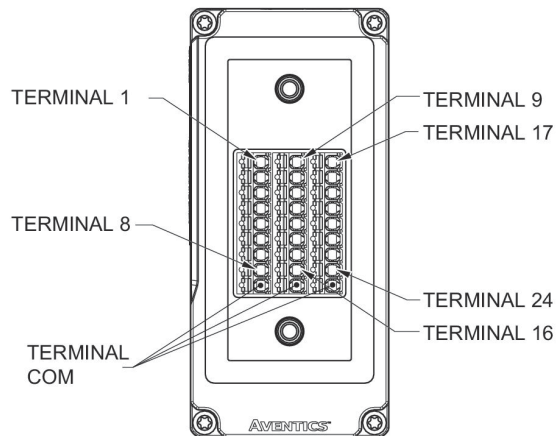
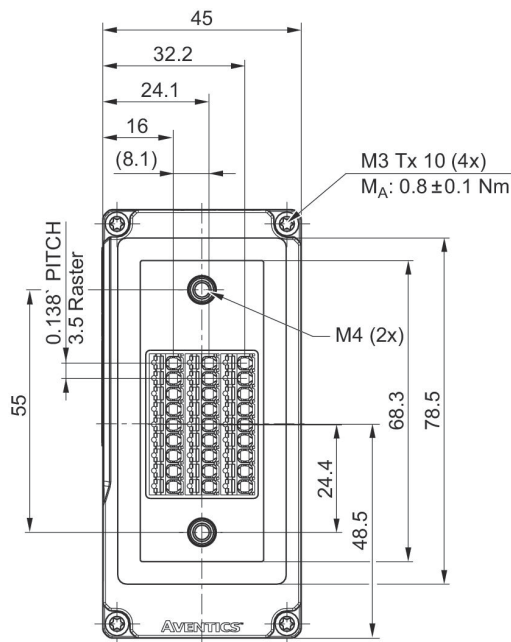
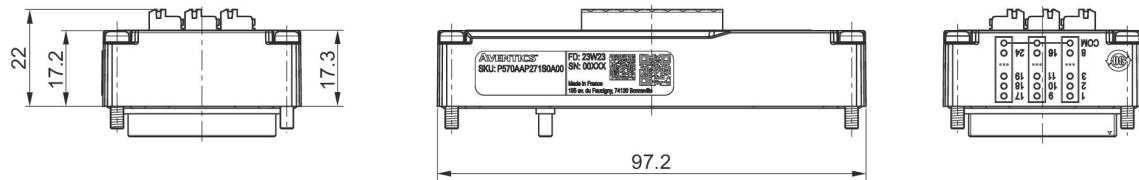
Certificates: RoHS

Ambient temperature min./max.: -10 °C ... 50 °C



Max. number of solenoid coils	Weight [kg]	Part No.
24	0.06	P570AAP271S0A00

Dimensions



**Multipole plug, series CON-MP**

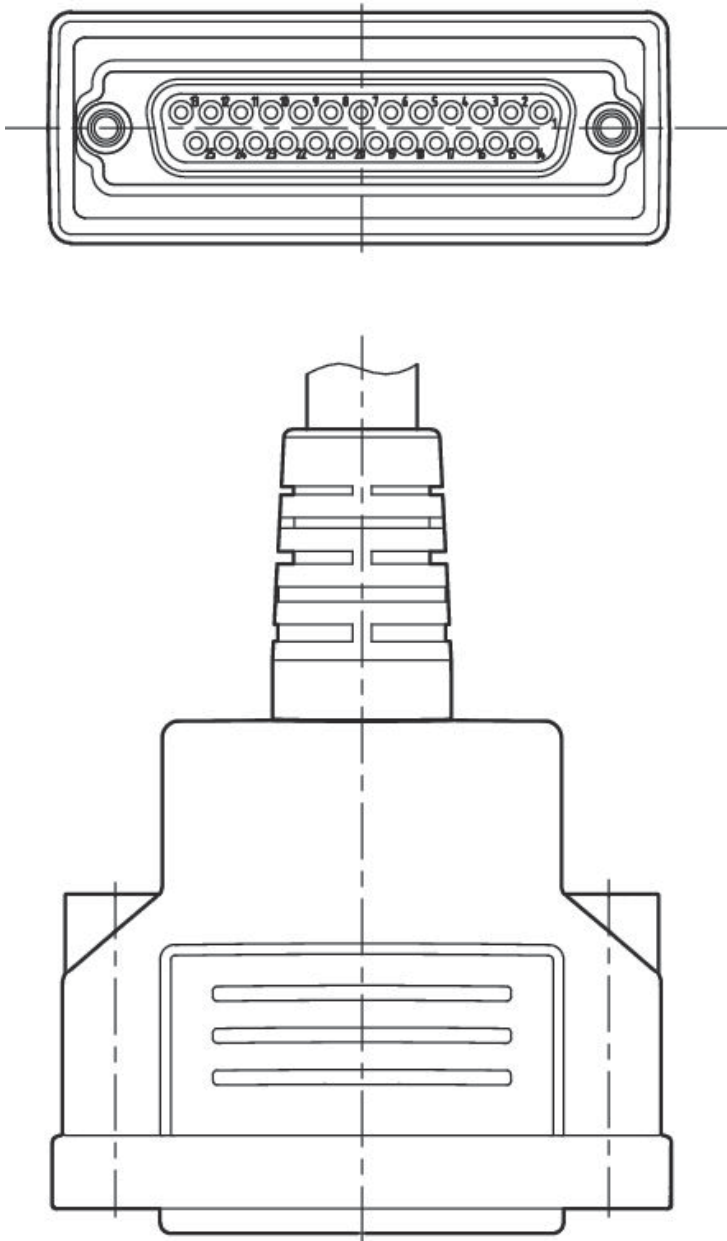
Electrical connection 1: Socket ... D-Sub ... 25-pin  
Ambient temperature min./max.: -20 °C ... 80 °C



Operational voltage	Current [A]	Shielding	Electrical connection 1, type	Electrical connection 1, thread size	Electrical connection 2, type	Cable length [m]	Cable-Ø [mm]	Part No.
24 V DC	3	unshielded	Socket	D-Sub	open cable ends	3	8.5	R419500454
24 V DC	3	unshielded	Socket	D-Sub	open cable ends	5	8.5	R419500455
24 V DC	3	unshielded	Socket	D-Sub	open cable ends	10	8.5	R419500456
24 V DC	3	unshielded	Socket	D-Sub	open cable ends	15	8.5	R412022156
24 V DC	3	unshielded	Socket	D-Sub	open cable ends	3	10.5	R419500457
24 V DC	3	unshielded	Socket	D-Sub	open cable ends	5	10.5	R419500458
24 V DC	3	unshielded	Socket	D-Sub	open cable ends	10	10.5	R419500459

Wire cross-section [mm <sup>2</sup> ]	Suitable for dynamic laying	Material cable sheath	Part No.
0.22		Polyvinyl chloride	R419500454
0.22		Polyvinyl chloride	R419500455
0.22		Polyvinyl chloride	R419500456
0.22		Polyvinyl chloride	R412022156
0.25	suitable for dynamic laying	Polyurethane	R419500457
0.25	suitable for dynamic laying	Polyurethane	R419500458
0.25	suitable for dynamic laying	Polyurethane	R419500459

Dimensions



**R419500454, R419500455, R419500456, R412022156, R419500457, R419500458, R419500459**

PIN assignment and cable colors

cable identification as per DIN 47100



Socket

Pin	1	2	3	4	5	6	7	8	9	10
Color	white	brown	green	yellow	gray	pink	blue	red	black	violet

Pin	11	12	13	14	15	16	17	18	19	20
Color	gray/pink	red/blue	white/green	brown/green	white/yellow	yellow/brown	white/gray	gray/brown	white/pink	pink/brown

Pin	21	22	23	24	25
Color	white/blue	brown/blue	white/red	brown/red	white/black

**Multipole plug, series CON-MP**

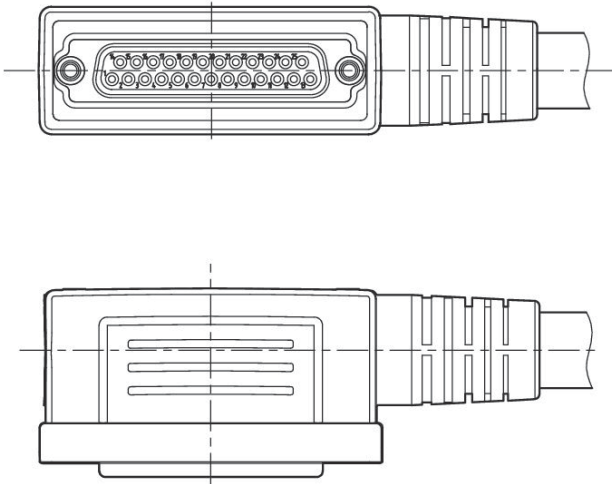
Electrical connection 1: Socket ... D-Sub ... 25-pin  
Ambient temperature min./max.: -20 °C ... 80 °C



Operational voltage	Current [A]	Shielding	Electrical connection 1, type	Electrical connection 1, thread size	Electrical connection 2, type	Cable length [m]	Cable-Ø [mm]	Part No.
24 V DC	3	unshielded	Socket	D-Sub	open cable ends	3	8.5	R419500460
24 V DC	3	unshielded	Socket	D-Sub	open cable ends	5	8.5	R419500461
24 V DC	3	unshielded	Socket	D-Sub	open cable ends	10	8.5	R419500462
24 V DC	3	unshielded	Socket	D-Sub	open cable ends	15	8.5	R412022352
24 V DC	3	unshielded	Socket	D-Sub	open cable ends	3	10.5	R419500463
24 V DC	3	unshielded	Socket	D-Sub	open cable ends	5	10.5	R419500464
24 V DC	3	unshielded	Socket	D-Sub	open cable ends	10	10.5	R419500465

Wire cross-section [mm²]	Suitable for dynamic laying	Material cable sheath	Part No.
0.22		Polyvinyl chloride	R419500460
0.22		Polyvinyl chloride	R419500461
0.22		Polyvinyl chloride	R419500462
0.22		Polyvinyl chloride	R412022352
0.25	suitable for dynamic laying	Polyurethane	R419500463
0.25	suitable for dynamic laying	Polyurethane	R419500464
0.25	suitable for dynamic laying	Polyurethane	R419500465

Dimensions



**R419500460, R419500461, R419500462, R412022352, R419500463, R419500464, R419500465**

PIN assignment and cable colors

cable identification as per DIN 47100



Socket

Pin	1	2	3	4	5	6	7	8	9	10
Color	white	brown	green	yellow	gray	pink	blue	red	black	violet

Pin	11	12	13	14	15	16	17	18	19	20
Color	gray/pink	red/blue	white/green	brown/green	white/yellow	yellow/brown	white/gray	gray/brown	white/pink	pink/brown

Pin	21	22	23	24	25
Color	white/blue	brown/blue	white/red	brown/red	white/black

**Multipole plug, series CON-MP**

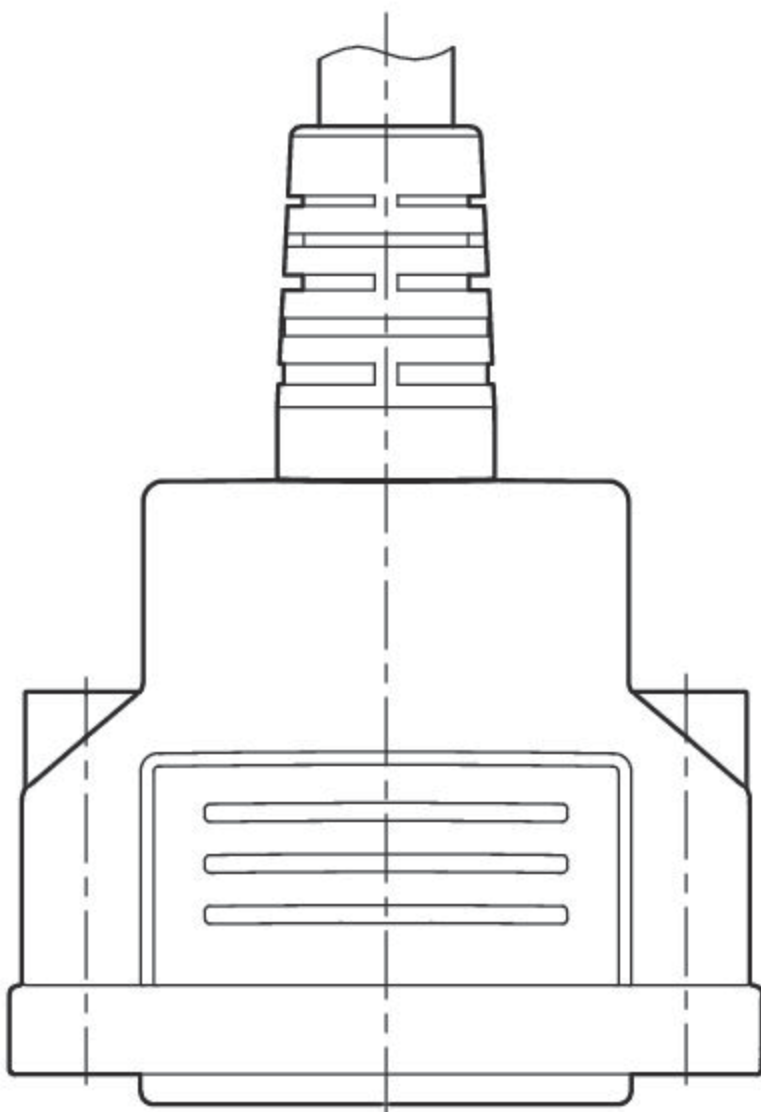
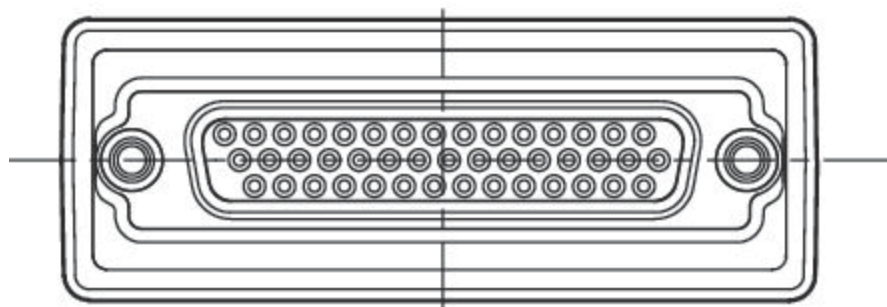
Electrical connection 1: Socket ... D-Sub ... 44-pin  
Ambient temperature min./max.: -20 °C ... 80 °C



Operational voltage	Current [A]	Shielding	Electrical connection 1, type	Electrical connection 1, thread size	Electrical connection 2, type	Cable length [m]	Cable-Ø [mm]	Part No.
24 V DC	3	unshielded	Socket	D-Sub	open cable ends	3	10.3	R419500466
24 V DC	3	unshielded	Socket	D-Sub	open cable ends	5	10.3	R419500467
24 V DC	3	unshielded	Socket	D-Sub	open cable ends	10	10.3	R419500468
24 V DC	3	unshielded	Socket	D-Sub	open cable ends	3	13.3	R419500469
24 V DC	3	unshielded	Socket	D-Sub	open cable ends	5	13.3	R419500470
24 V DC	3	unshielded	Socket	D-Sub	open cable ends	10	13.3	R419500471

Wire cross-section [mm <sup>2</sup> ]	Suitable for dynamic laying	Material cable sheath	Part No.
0.22		Polyvinyl chloride	R419500466
0.22		Polyvinyl chloride	R419500467
0.22		Polyvinyl chloride	R419500468
0.25	suitable for dynamic laying	Polyurethane	R419500469
0.25	suitable for dynamic laying	Polyurethane	R419500470
0.25	suitable for dynamic laying	Polyurethane	R419500471

Dimensions



D-Sub socket, 44 pin

Pin	1	2	3	4	5	6	7	8	9
Color	white	brown	green	yellow	gray	pink	blue	red	black

Pin	10	11	12	13	14	15	16	17	18
Color	violet	gray/pink	red/blue	white/green	brown/green	white/yellow	yellow/brown	white/gray	gray/brown

Pin	19	20	21	22	23	24	25	26	27
Color	white/pink	pink/brown	white/blue	brown/blue	white/red	brown/red	white/black	brown/black	gray/green

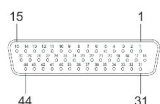
Pin	28	29	30	31	32	33	34	35	36
Color	yellow/gray	pink/green	yellow/pink	green/blue	yellow/blue	green/red	yellow/red	gray/black	yellow/black

Pin	37	38	39	40	41	42	43	44
Color	gray/blue	pink/blue	gray/red	pink/red	gray/black	pink/black	blue/black	red/black

**R419500466, R419500467, R419500468, R419500469, R419500470, R419500471**

PIN assignment and cable colors

cable identification as per DIN 47100



Socket

**Multipole plug, series CON-MP**

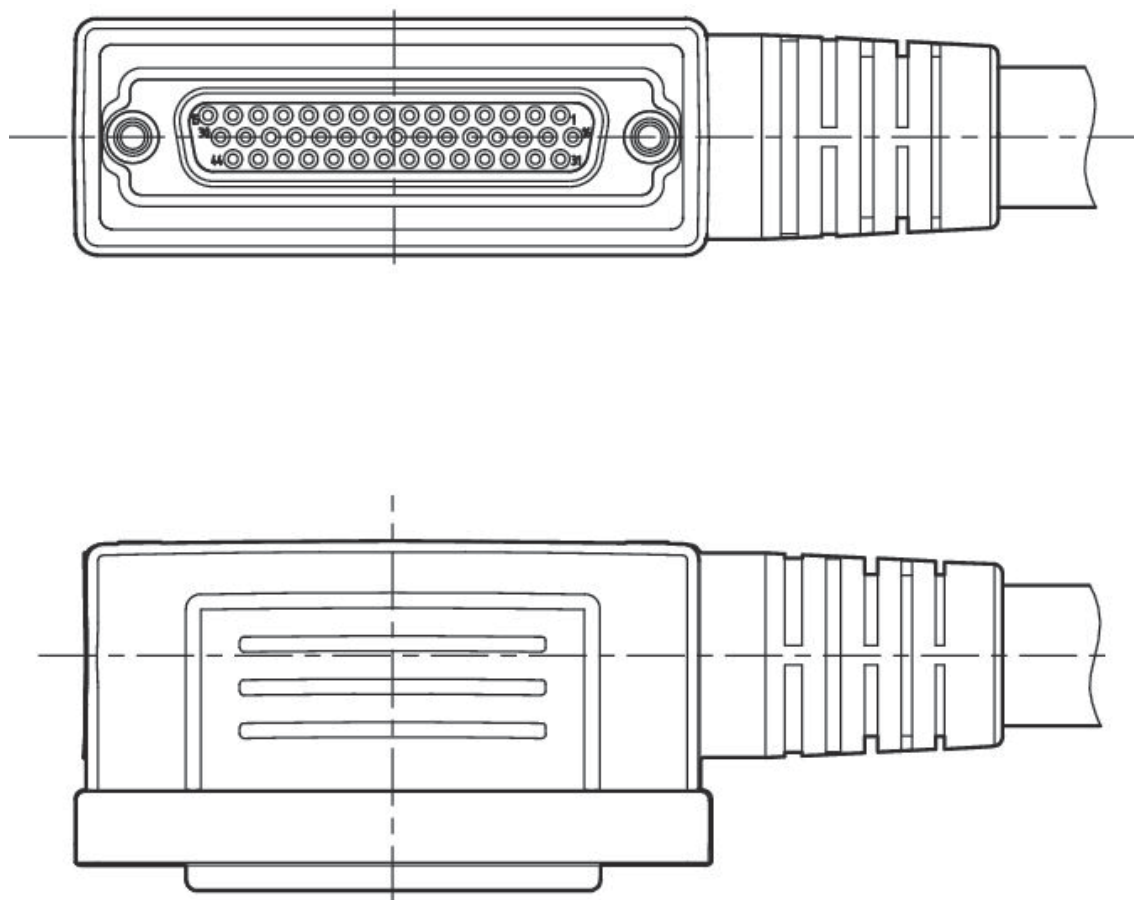
Electrical connection 1: Socket ... D-Sub ... 44-pin  
Ambient temperature min./max.: -20 °C ... 80 °C



Operational voltage	Current [A]	Shielding	Electrical connection 1, type	Electrical connection 1, thread size	Electrical connection 2, type	Cable length [m]	Cable-Ø [mm]	Part No.
24 V DC	3	unshielded	Socket	D-Sub	open cable ends	3	10.3	R419500472
24 V DC	3	unshielded	Socket	D-Sub	open cable ends	5	10.3	R419500473
24 V DC	3	unshielded	Socket	D-Sub	open cable ends	10	10.3	R419500474
24 V DC	3	unshielded	Socket	D-Sub	open cable ends	3	13.3	R419500475
24 V DC	3	unshielded	Socket	D-Sub	open cable ends	5	13.3	R419500476
24 V DC	3	unshielded	Socket	D-Sub	open cable ends	10	13.3	R419500477

Wire cross-section [mm <sup>2</sup> ]	Suitable for dynamic laying	Material cable sheath	Part No.
0.22		Polyvinyl chloride	R419500472
0.22		Polyvinyl chloride	R419500473
0.22		Polyvinyl chloride	R419500474
0.25	suitable for dynamic laying	Polyurethane	R419500475
0.25	suitable for dynamic laying	Polyurethane	R419500476
0.25	suitable for dynamic laying	Polyurethane	R419500477

Dimensions



D-Sub socket, 44 pin

Pin	1	2	3	4	5	6	7	8	9
Color	white	brown	green	yellow	gray	pink	blue	red	black

Pin	10	11	12	13	14	15	16	17	18
Color	violet	gray/pink	red/blue	white/green	brown/green	white/yellow	yellow/brown	white/gray	gray/brown

Pin	19	20	21	22	23	24	25	26	27
Color	white/pink	pink/brown	white/blue	brown/blue	white/red	brown/red	white/black	brown/black	gray/green

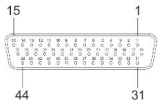
Pin	28	29	30	31	32	33	34	35	36
Color	yellow/gray	pink/green	yellow/pink	green/blue	yellow/blue	green/red	yellow/red	gray/black	yellow/black

Pin	37	38	39	40	41	42	43	44
Color	gray/blue	pink/blue	gray/red	pink/red	gray/black	pink/black	blue/black	red/black

**R419500472, R419500473, R419500474, R419500475, R419500476, R419500477**

PIN assignment and cable colors

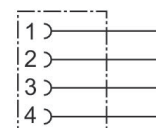
cable identification as per DIN 47100



Socket

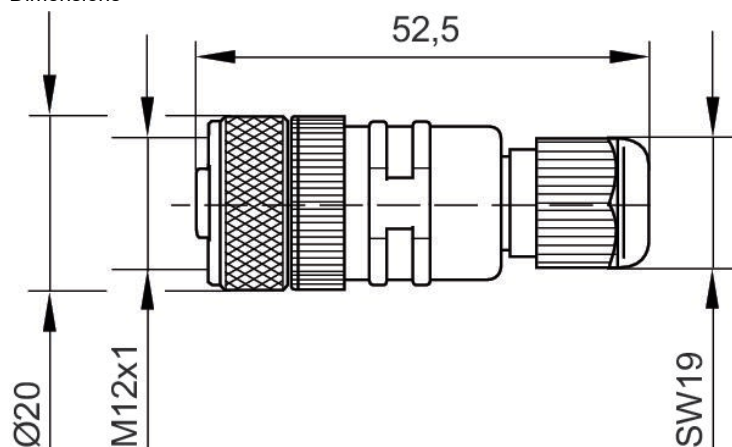
### Round plug connector, Series CON-RD

Electrical connection 1: Socket ... M12x1 ... 4-pin ... A-coded ... straight  
 Connection type: Screws  
 Ambient temperature min./max.: -25 °C ... 90 °C



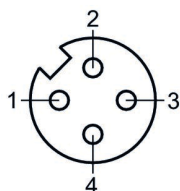
Operational voltage	Coding	Shielding	Connection type	Max. current [A]	min. suitable cable Ø [mm]	Part No.
48 V AC/DC	A-coded	unshielded	Screws	4	4	8941054324

Dimensions



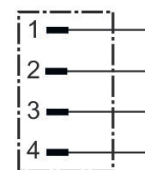
### 8941054324

Pin assignment, socket



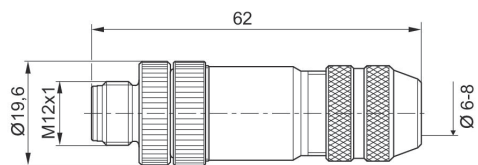
### Round plug connector, Series CON-RD

Electrical connection 1: Plug ... M12x1 ... 4-pin ... D-coded ... straight  
 Protocol: Ethernet, EtherNet/IP, EtherCAT, POWERLINK, sercos III  
 Connection type: Thread cutting  
 Ambient temperature min./max.: -25 °C ... 85 °C



Operational voltage	Coding	Shielding	Protocol	Connection type	Max. current [A]	min. suitable cable Ø [mm]	max. suitable cable Ø [mm]	Part No.
48 V AC/DC	D-coded	shielded	Ethernet, EtherNet/IP, EtherCAT, POWERLINK, sercos III	Thread cutting	4	6	8	R419801401

Dimensions



### Round plug connector, Series CON-RD

Electrical connection 1: Plug ... M12x1 ... 4-pin ... D-coded ... with knurled screw ... angled

Protocol: Profinet, EtherNet/IP, EtherCAT, POWERLINK

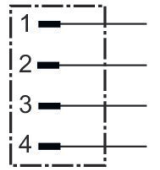
Connection type: Insulation-piercing terminal connection

Shielding: shielded

Standards: EN 61076-2-101

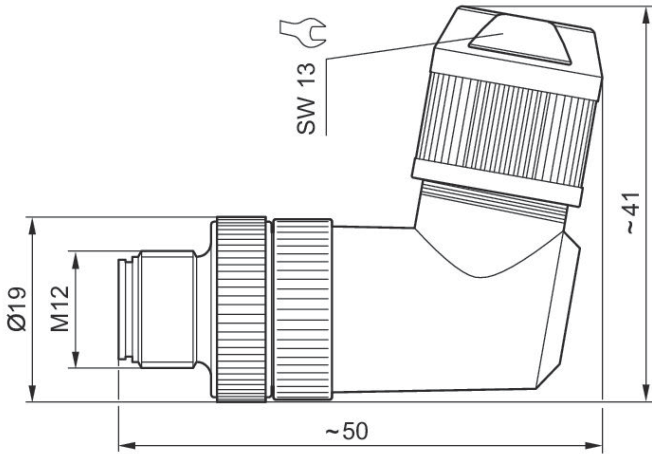
Certification: RoHS, UL (Underwriters Laboratories)

Ambient temperature min./max.: -40 °C ... 85 °C



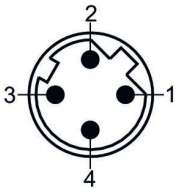
Operational voltage	Coding	Shielding	Protocol	Connection type	Max. current [A]	min. suitable cable Ø [mm]	max. suitable cable Ø [mm]	Part No.
48 V AC/DC	D-coded	shielded	Profinet, EtherNet/IP, EtherCAT, POWERLINK	Insulation-piercing terminal connection	1.75	4	8	R412026802

Dimensions in mm



#### R412026802

Plug pin assignment



### Round plug connector, Series CON-RD

Electrical connection 1: Socket ... M12x1 ... 5-pin ... B-coded ... with knurled screw ... angled

Protocol: PROFIBUS DP

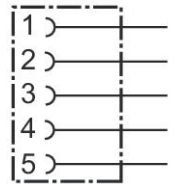
Connection type: Insulation-piercing terminal connection

Shielding: shielded

Standards: EN 61076-2-101

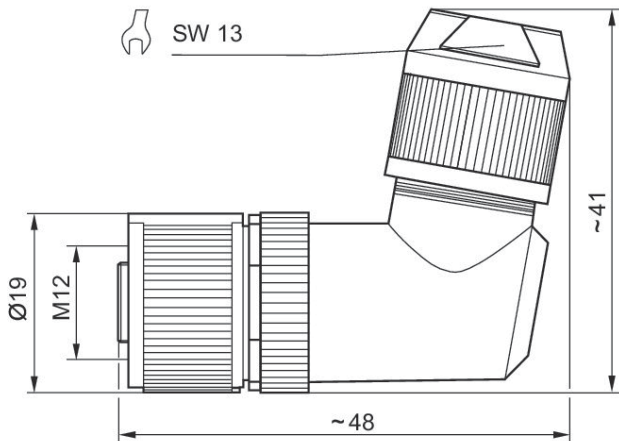
Certification: RoHS

Ambient temperature min./max.: -40 °C ... 85 °C



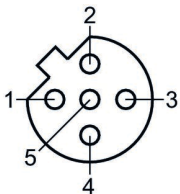
Operational voltage	Coding	Shielding	Protocol	Connection type	Max. current [A]	min. suitable cable Ø [mm]	max. suitable cable Ø [mm]	Part No.
48 V AC/DC	B-coded	shielded	PROFIBUS DP	Insulation-piercing terminal connection	4	4	8	R412026804

Dimensions in mm



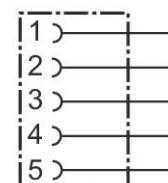
#### R412026804

Pin assignment, socket



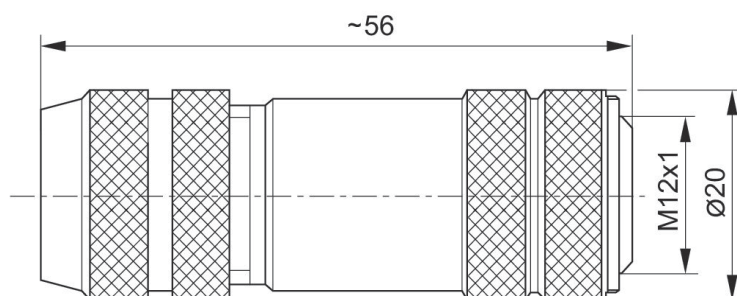
### Round plug connector, Series CON-RD

Electrical connection 1: Socket ... M12x1 ... 5-pin ... A-coded ... straight  
 Protocol: CANopen, DeviceNet  
 Connection type: Screws  
 Ambient temperature min./max.: -40 °C ... 85 °C



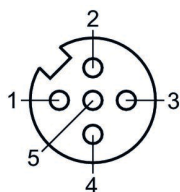
Operational voltage	Coding	Shielding	Protocol	Connection type	Max. current [A]	min. suitable cable Ø [mm]	Part No.
48 V AC/DC	A-coded	shielded	CANopen, DeviceNet	Screws	4	6	8942051602

Dimensions



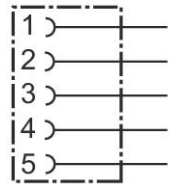
### 8942051602

Pin assignment, socket



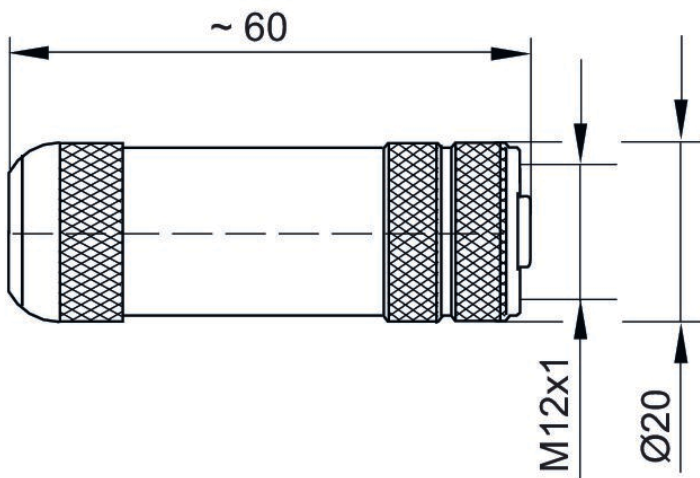
### Round plug connector, Series CON-RD

Electrical connection 1: Socket ... M12x1 ... 5-pin ... B-coded ... straight  
 Protocol: PROFIBUS DP  
 Connection type: Screws  
 Shielding: shielded  
 Ambient temperature min./max.: -25 °C ... 90 °C



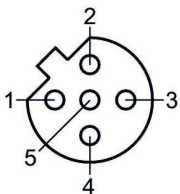
Operational voltage	Coding	Shielding	Protocol	Connection type	Max. current [A]	min. suitable cable Ø [mm]	max. suitable cable Ø [mm]	Part No.
48 V AC/DC	B-coded	shielded	PROFIBUS DP	Screws	4	6	8	8941054044

Dimensions



**8941054044**

Pin assignment, socket



### Round plug connector, Series CON-RD

Electrical connection 1: Socket ... M12x1 ... 5-pin ... A-coded ... with knurled screw ... angled

Protocol: CANopen, DeviceNet

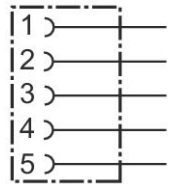
Connection type: Insulation-piercing terminal connection

Shielding: shielded

Standards: EN 61076-2-101

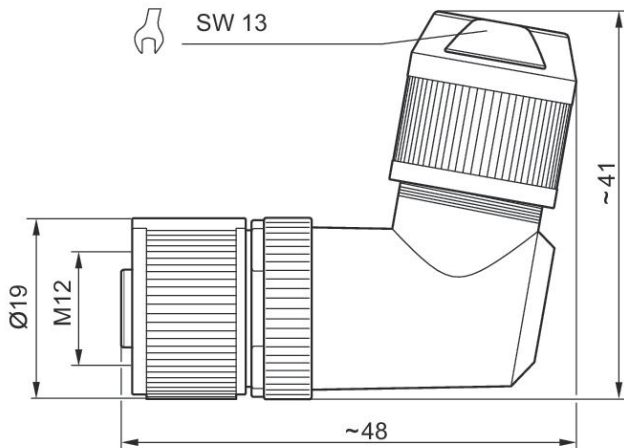
Certification: RoHS, UL (Underwriters Laboratories)

Ambient temperature min./max.: -40 °C ... 85 °C



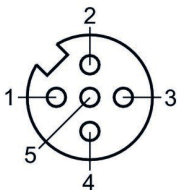
Operational voltage	Coding	Shielding	Protocol	Connection type	Max. current [A]	min. suitable cable Ø [mm]	max. suitable cable Ø [mm]	Part No.
48 V AC/DC	A-coded	shielded	CANopen, DeviceNet	Insulation-piercing terminal connection	4	4	8	R412026806

Dimensions in mm



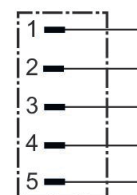
### R412026806

Pin assignment, socket



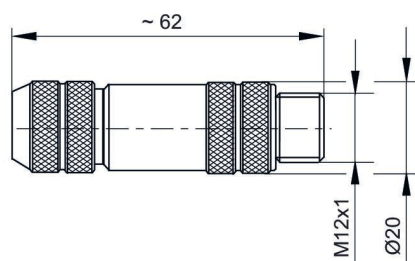
### Round plug connector, Series CON-RD

Electrical connection 1: Plug ... M12x1 ... 5-pin ... A-coded ... straight  
 Protocol: CANopen, DeviceNet  
 Ambient temperature min./max.: -40 °C ... 85 °C



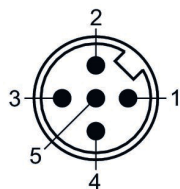
Operational voltage	Coding	Shielding	Protocol	Connection type	Max. current [A]	min. suitable cable Ø [mm]	max. suitable cable Ø [mm]	Part No.
48 V AC/DC	A-coded	shielded	CANopen, DeviceNet	Screws	4	6	8	8942051612

Dimensions



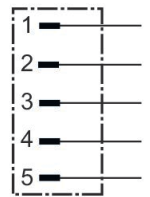
### 8942051612

Plug pin assignment



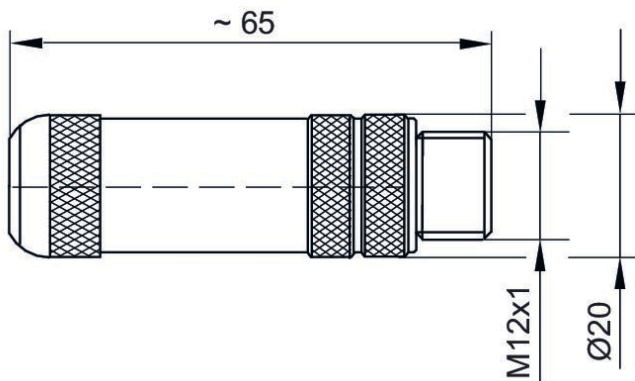
### Round plug connector, Series CON-RD

Electrical connection 1: Plug ... M12x1 ... 5-pin ... B-coded ... straight  
Ambient temperature min./max.: -25 °C ... 90 °C



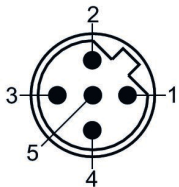
Operational voltage	Coding	Shielding	Protocol	Connection type	Max. current [A]	min. suitable cable Ø [mm]	max. suitable cable Ø [mm]	Part No.
48 V AC/DC	B-coded	shielded	PROFIBUS DP	Screws	4	4	9	8941054054

Dimensions



### 8941054054

Plug pin assignment



### Round plug connector, Series CON-RD

Electrical connection 1: Plug ... M12x1 ... 5-pin ... B-coded ... with knurled screw ... angled

Protocol: PROFIBUS DP

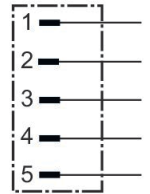
Connection type: Insulation-piercing terminal connection

Shielding: shielded

Standards: EN 61076-2-101

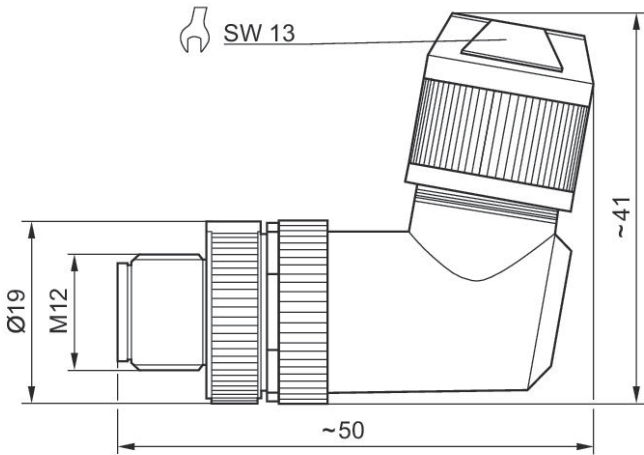
Certification: RoHS, UL (Underwriters Laboratories)

Ambient temperature min./max.: -40 °C ... 85 °C



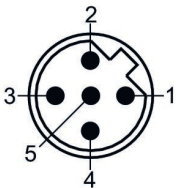
Operational voltage	Coding	Shielding	Protocol	Connection type	Max. current [A]	min. suitable cable Ø [mm]	max. suitable cable Ø [mm]	Part No.
48 V AC/DC	B-coded	shielded	PROFIBUS DP	Push-in	4	4	8	R412026803

Dimensions in mm



### R412026803

Plug pin assignment



### Round plug connector, Series CON-RD

Electrical connection 1: Plug ... M12x1 ... 5-pin ... A-coded ... with knurled screw ... angled

Protocol: CANopen, DeviceNet

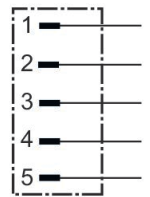
Connection type: Insulation-piercing terminal connection

Shielding: shielded

Standards: EN 61076-2-101

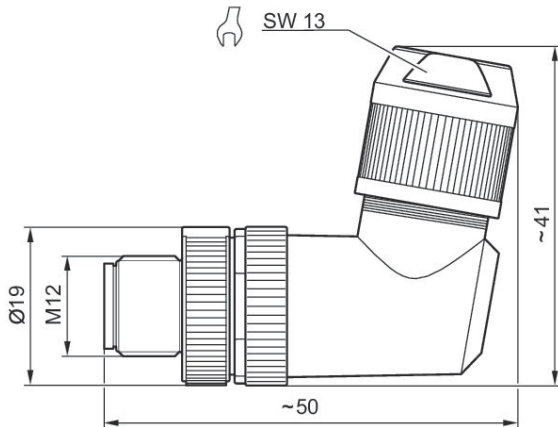
Certification: RoHS, UL (Underwriters Laboratories)

Ambient temperature min./max.: -40 °C ... 85 °C



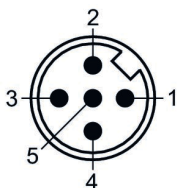
Operational voltage	Coding	Shielding	Protocol	Connection type	min. suitable cable Ø [mm]	max. suitable cable Ø [mm]	Part No.
48 V AC/DC	A-coded	shielded	CANopen, DeviceNet	Insulation-piercing terminal connection	4	8	R412026805

Dimensions in mm



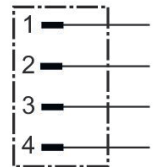
### R412026805

Plug pin assignment



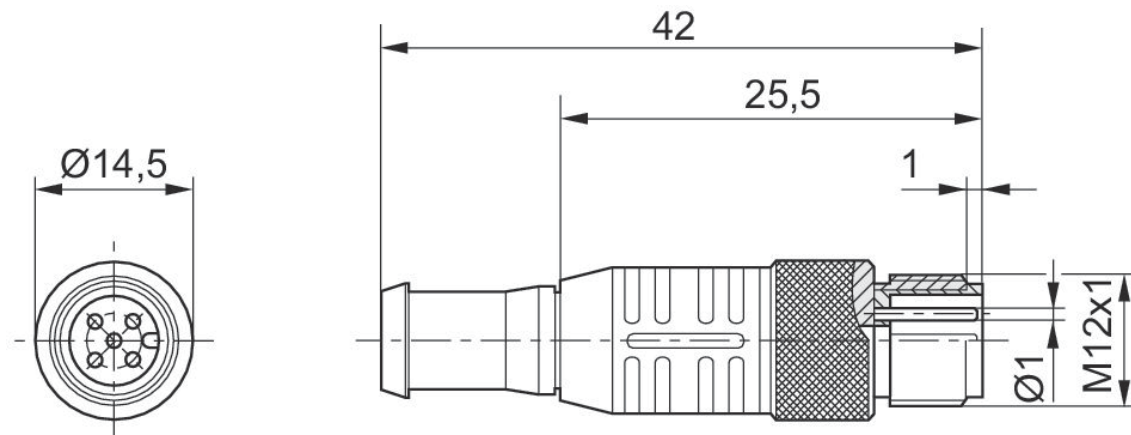
**Data final plug, Series CON-RD**

Electrical connection 1: Plug ... M12x1 ... 4-pin ... B-coded  
 Protocol: PROFIBUS DP  
 Ambient temperature min./max.: -25 °C ... 80 °C



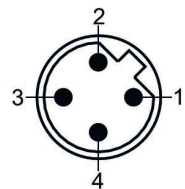
Coding	Protocol	Part No.
B-coded	PROFIBUS DP	8941054064

Dimensions



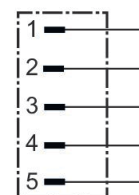
**8941054064**

Plug pin assignment



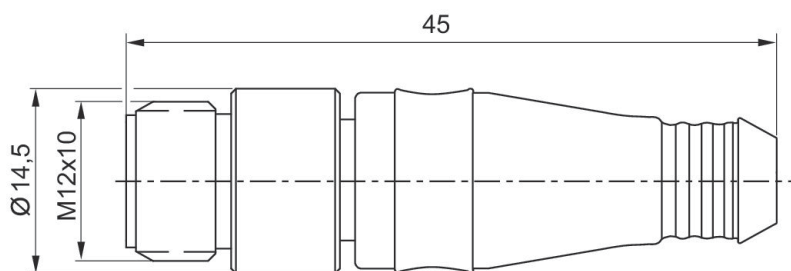
### Data final plug, Series CON-RD

Electrical connection 1: Plug ... M12x1 ... 5-pin ... A-coded  
 Protocol: CANopen, DeviceNet  
 Ambient temperature min./max.: 0 °C ... 60 °C



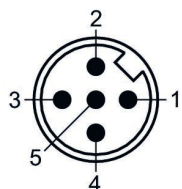
Coding	Protocol	Part No.
A-coded	CANopen, DeviceNet	8941054264

#### Dimensions



### 8941054264

Plug pin assignment



### Round plug connector, Series CON-RD

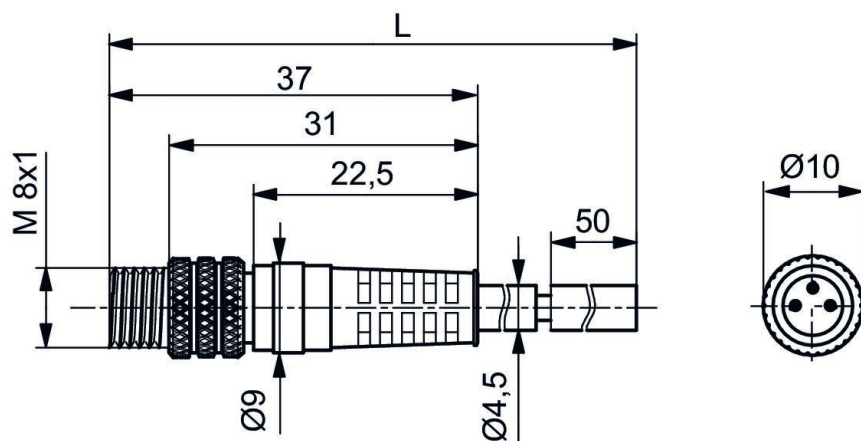
Electrical connection 1: Plug ... M8x1 ... 3-pin ... straight

Electrical connection 2: open cable ends ... 3-pin



Operational voltage	Electrical connection 1, type	Electrical connection 1, thread size	Electrical connection 1, number of poles	Electrical connection 1, coding	Electrical connection 2, type	Electrical connection 2, number of poles	Cable length [m]	Part No.
30 V AC/DC	Plug	M8x1	3-pin	A-coded	open cable ends	3-pin	3	8946203602
30 V AC/DC	Plug	M8x1	3-pin	A-coded	open cable ends	3-pin	5	8946203612
30 V AC/DC	Plug	M8x1	3-pin	A-coded	open cable ends	3-pin	10	8946203622

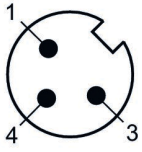
Dimensions



L = length

**8946203602, 8946203612, 8946203622**

Plug pin assignment



(1) BN=brown (3) BU=blue (4) BK=black

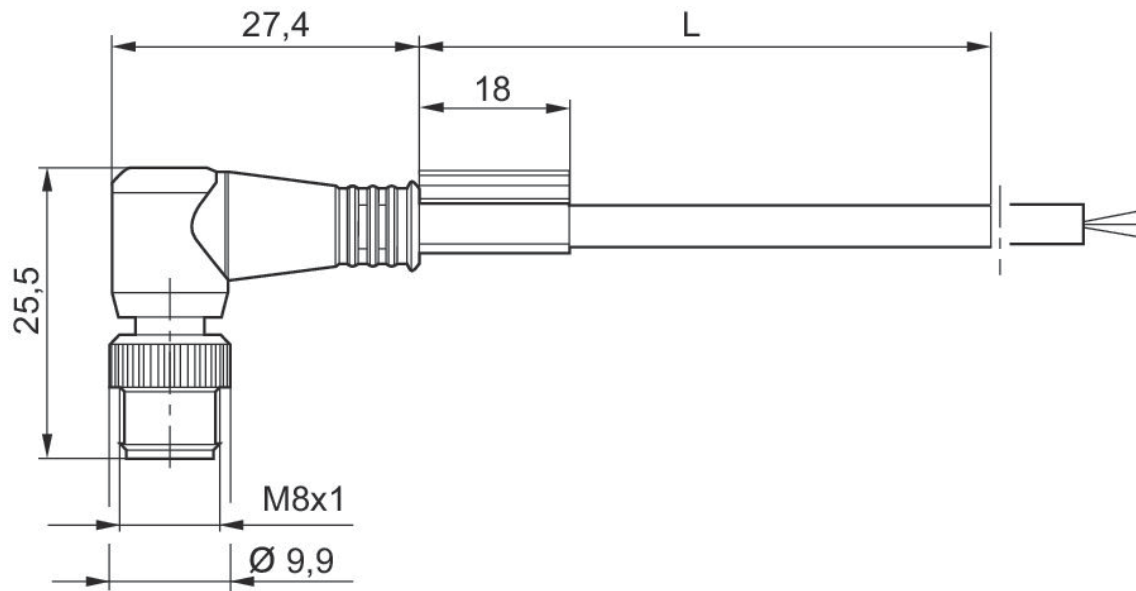
### Round plug connector, Series CON-RD

Electrical connection 1: Plug ... M8x1 ... 3-pin ... angled  
 Electrical connection 2: open cable ends ... 3-pin  
 Ambient temperature min./max.: -25 °C ... 85 °C



Operational voltage	Electrical connection 1, type	Electrical connection 1, thread size	Electrical connection 1, number of poles	Electrical connection 1, coding	Electrical connection 2, type	Electrical connection 2, number of poles	Cable length [m]	Part No.
48 V AC/DC	Plug	M8x1	3-pin	A-coded	open cable ends	3-pin	2	R412021678
48 V AC/DC	Plug	M8x1	3-pin	A-coded	open cable ends	3-pin	5	R412021679
48 V AC/DC	Plug	M8x1	3-pin	A-coded	open cable ends	3-pin	10	R412021680

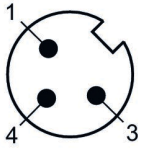
Dimensions



L = length

**R412021678, R412021679, R412021680**

Plug pin assignment



(1) BN=brown (3) BU=blue (4) BK=black

### Round plug connectors with cable, Series CON-RD

Electrical connection 1: Plug ... M12x1 ... 4-pin ... D-coded ... straight ... 180°

Electrical connection 2: open cable ends ... 4-pin

Protocol: Profinet, POWERLINK, EtherNet/IP, EtherCAT

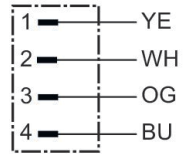
Shielding: shielded

Standards: IEC 61076-2-101

Certification: RoHS, UL (Underwriters Laboratories), CE declaration of conformity,

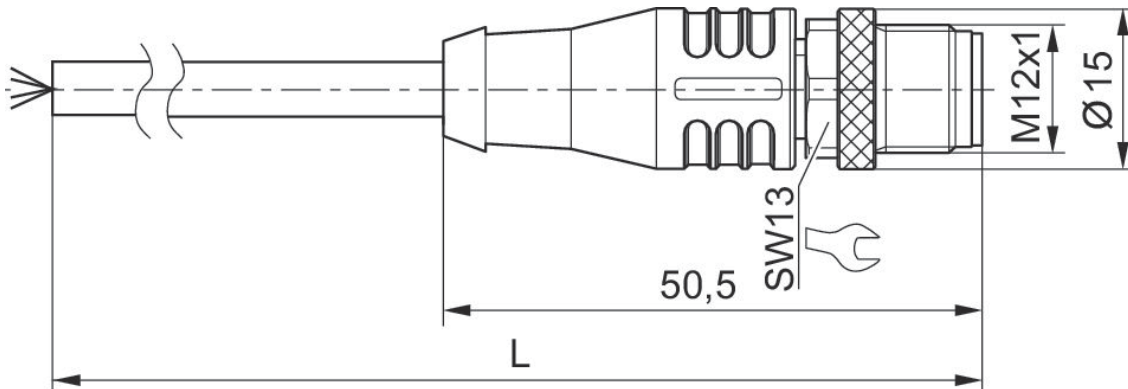
Free of substances that impair surface wetting in the coating process

Ambient temperature min./max.: -30 °C ... 90 °C



Operational voltage	Electrical connection 1, type	Electrical connection 1, thread size	Electrical connection 1, number of poles	Electrical connection 1, coding	Electrical connection 2, type	Electrical connection 2, number of poles	Cable length [m]	Part No.
48 V AC/DC	Plug	M12x1	4-pin	D-coded	open cable ends	4-pin	10	R412026800

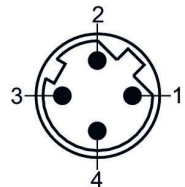
Dimensions in mm



L = cable length

#### R412026800

Plug pin assignment



- (1) YE = yellow
- (2) WH = white
- (3) OG = orange
- (4) BU = blue

### Round plug connectors with cable, Series CON-RD

Electrical connection 1: Plug ... M12x1 ... 4-pin ... D-coded ... straight ... 180°

Electrical connection 2: Plug ... M12x1 ... 4-pin ... D-coded ... straight

Protocol: Profinet, POWERLINK, EtherNet/IP, EtherCAT

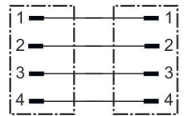
Shielding: shielded

Standards: IEC 61076-2-101

Certification: RoHS, UL (Underwriters Laboratories), CE declaration of conformity,

Free of substances that impair surface wetting in the coating process

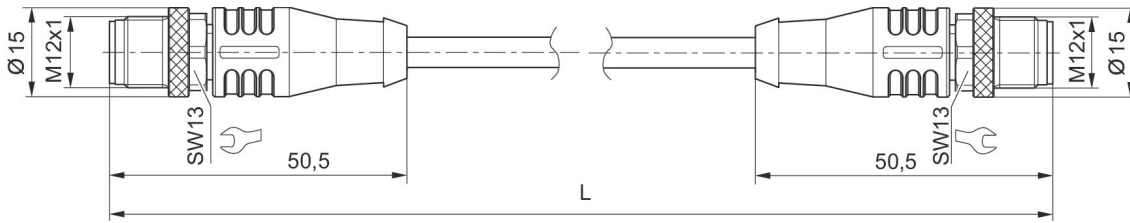
Ambient temperature min./max.: -30 °C ... 90 °C



Operational voltage	Electrical connection 1, type	Electrical connection 1, thread size	Electrical connection 1, number of poles	Electrical connection 1, coding	Electrical connection 2, type	Electrical connection 2, thread size	Electrical connection 2, number of poles	Part No.
60 V AC/DC	Plug	M12x1	4-pin	D-coded	Plug	M12x1	4-pin	R412026801

Electrical connection 2, coding	Cable length [m]	Part No.
D-coded	5	R412026801

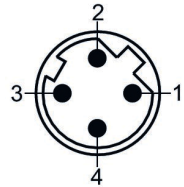
Dimensions in mm



L = cable length

#### R412026801

Plug pin assignment



### Round plug connectors with cable, Series CON-RD

Electrical connection 1: Plug ... M12x1 ... 4-pin ... D-coded ... straight ... 180°

Electrical connection 2: Plug ... RJ45 ... 4-pin ... straight

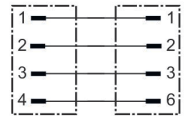
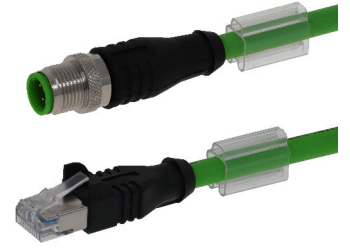
Protocol: Profinet, POWERLINK, EtherNet/IP, EtherCAT

Shielding: shielded

Standards: IEC 61076-2-109

Certification: RoHS, CE declaration of conformity, Free of substances that impair surface wetting in the coating process

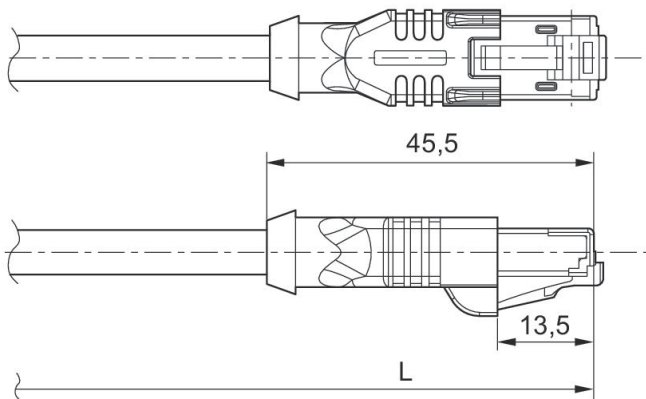
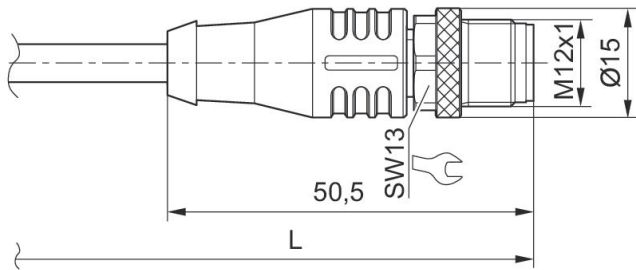
Ambient temperature min./max.: -30 °C ... 70 °C



Operational voltage	Electrical connection 1, type	Electrical connection 1, thread size	Electrical connection 1, number of poles	Electrical connection 1, coding	Electrical connection 2, type	Electrical connection 2, thread size	Electrical connection 2, number of poles	Part No.
48 V AC/DC	Plug	M12x1	4-pin	D-coded	Plug	RJ45	4-pin	R412026797

Cable length [m]	Part No.
1	R412026797

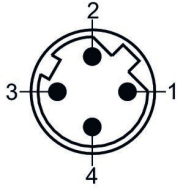
Dimensions in mm



L = cable length

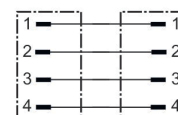
**R412026797**

Plug pin assignment



### Round plug connectors with cable, Series CON-RD

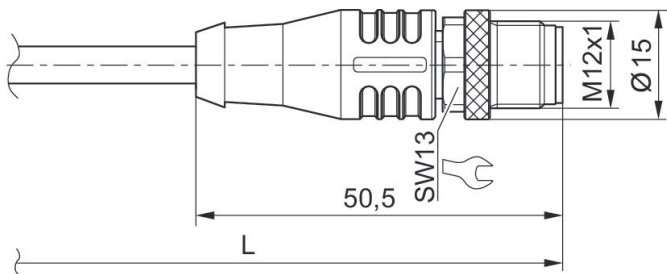
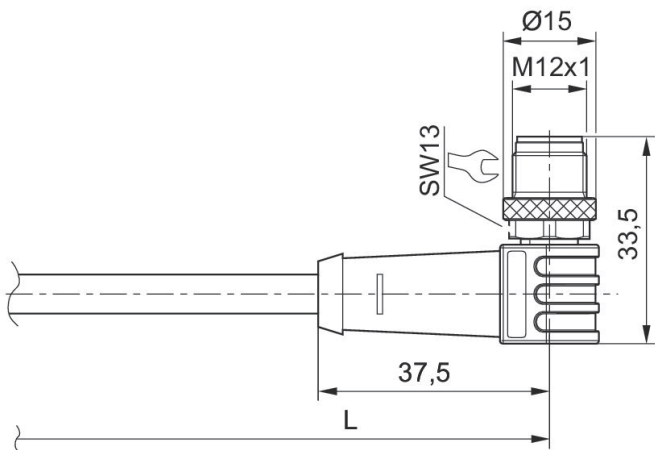
Electrical connection 1: Plug ... M12x1 ... 4-pin ... D-coded ... angled ... 90°  
 Electrical connection 2: Plug ... M12x1 ... 4-pin ... D-coded ... straight  
 Protocol: Profinet, POWERLINK, EtherNet/IP, EtherCAT  
 Shielding: shielded  
 Standards: IEC 61076-2-101  
 Certification: RoHS, UL (Underwriters Laboratories), CE declaration of conformity,  
 Free of substances that impair surface wetting in the coating process  
 Ambient temperature min./max.: -30 °C ... 90 °C



Operational voltage	Electrical connection 1, type	Electrical connection 1, thread size	Electrical connection 1, number of poles	Electrical connection 1, coding	Electrical connection 2, type	Electrical connection 2, thread size	Electrical connection 2, number of poles	Part No.
48 V AC/DC	Plug	M12x1	4-pin	D-coded	Plug	M12x1	4-pin	R412026798
48 V AC/DC	Plug	M12x1	4-pin	D-coded	Plug	M12x1	4-pin	R412026799

Electrical connection 2, coding	Cable length [m]	Part No.
D-coded	1	R412026798
D-coded	5	R412026799

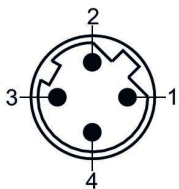
Dimensions in mm



L = cable length

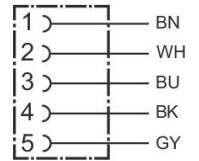
**R412026798, R412026799**

Plug pin assignment



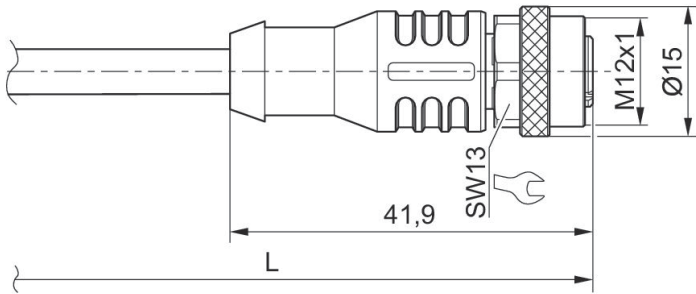
### Round plug connectors with cable, Series CON-RD

Electrical connection 1: Socket ... M12x1 ... 5-pin ... A-coded ... straight  
 Electrical connection 2: open cable ends ... 5-pin  
 Standards: EN 61076-2-101  
 Certification: RoHS, UL (Underwriters Laboratories)  
 Ambient temperature min./max.: -30 °C ... 90 °C



Operational voltage	Electrical connection 1, type	Electrical connection 1, thread size	Electrical connection 1, number of poles	Electrical connection 1, coding	Electrical connection 2, type	Electrical connection 2, number of poles	Cable length [m]	Part No.
48 V AC/DC	Socket	M12x1	5-pin	A-coded	open cable ends	5-pin	3	R412026779
48 V AC/DC	Socket	M12x1	5-pin	A-coded	open cable ends	5-pin	5	R412026780
48 V AC/DC	Socket	M12x1	5-pin	A-coded	open cable ends	5-pin	10	R412026781

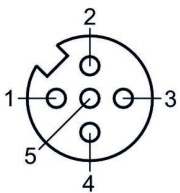
Dimensions in mm



L = cable length

### R412026779, R412026780, R412026781

Pin assignment, socket



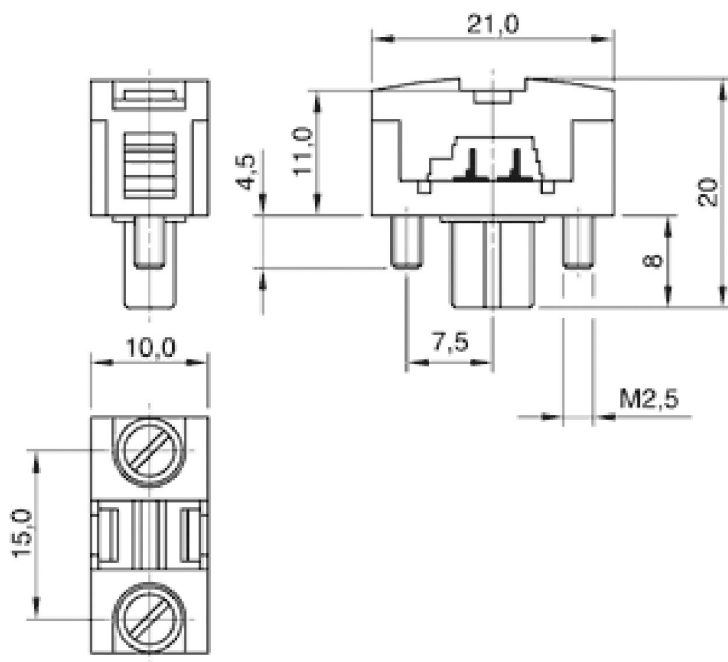
(1) BN=brown (2) WH=white (3) BU=blue (4) BK=black (5) GY=grey

Cable socket



Delivery unit [piece]	Type	Weight [kg]	Part No.
1	AS-i cable socket incl. label	0.005	1824484064

Dimensions



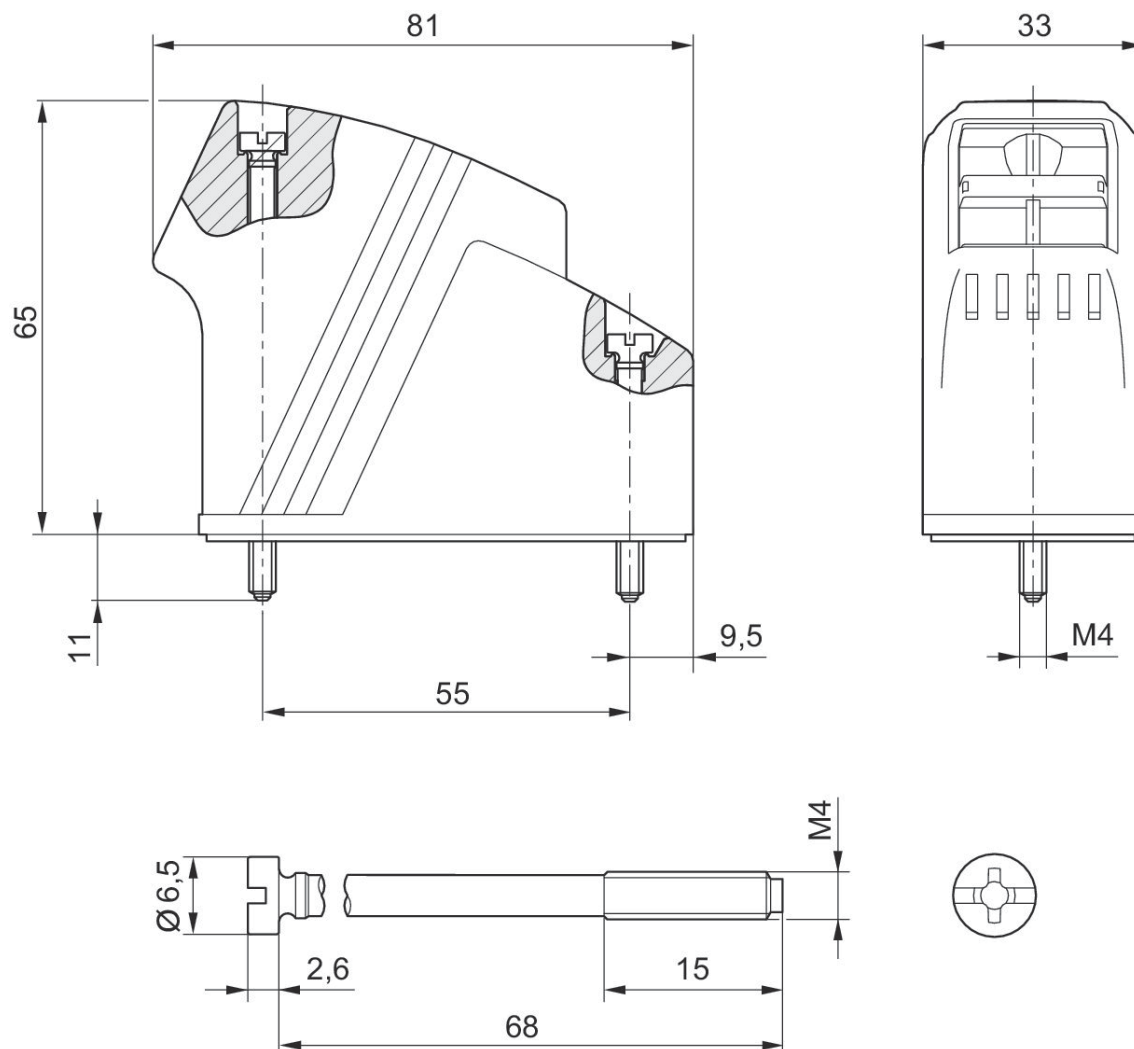
### Sleeve housing

Ambient temperature min./max.: -40 °C ... 80 °C



Thread connection	Delivery unit [piece]	Weight [kg]	Material	Part No.
M25	5	0.005	Polyamide	R414014697

Dimensions



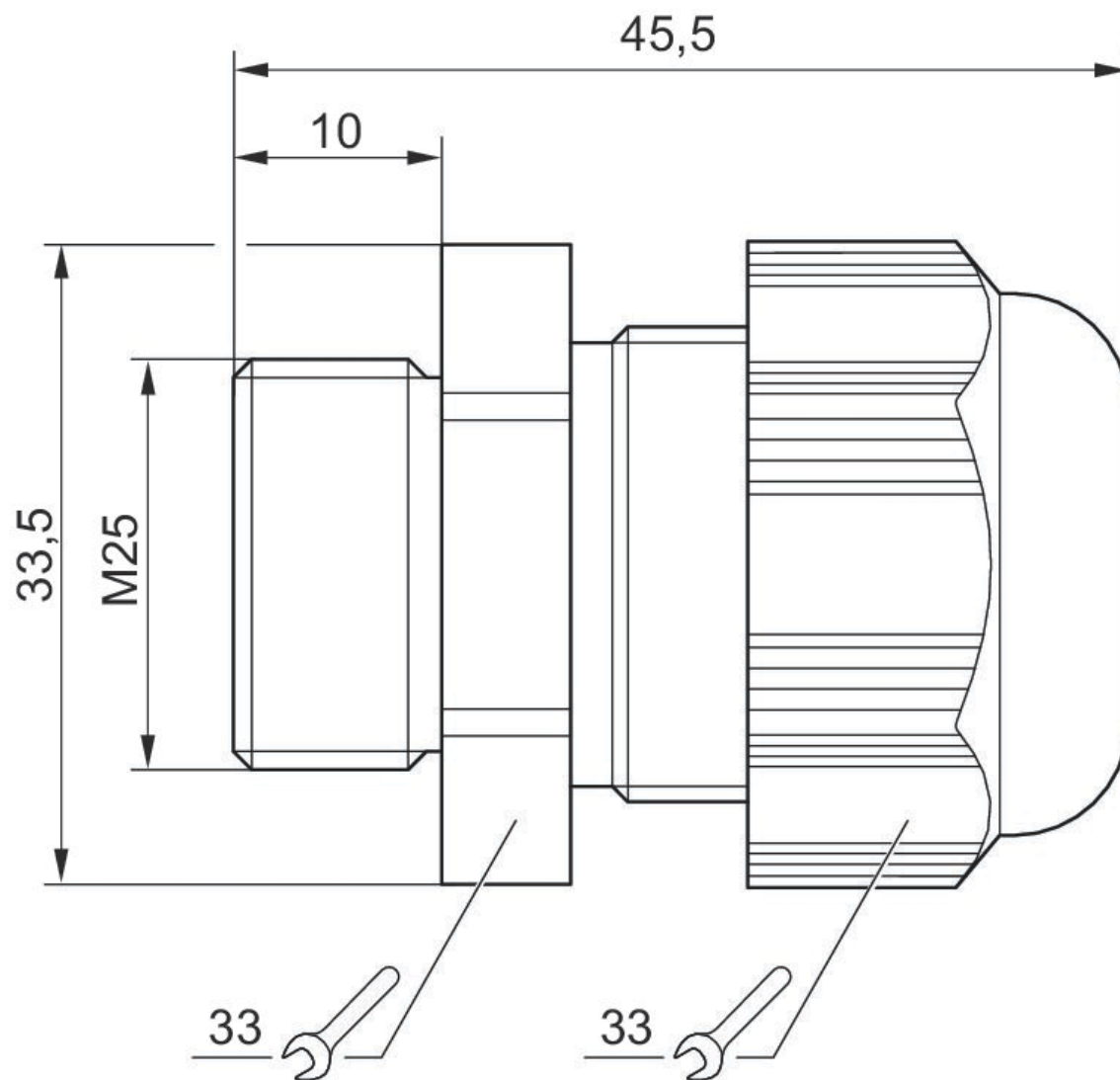
**Cable fitting**

Ambient temperature min./max.: -40 °C ... 100 °C

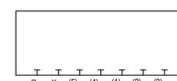


Delivery unit [piece]	Weight [kg]	Part No.
5	0.002	R424B18059

Dimensions

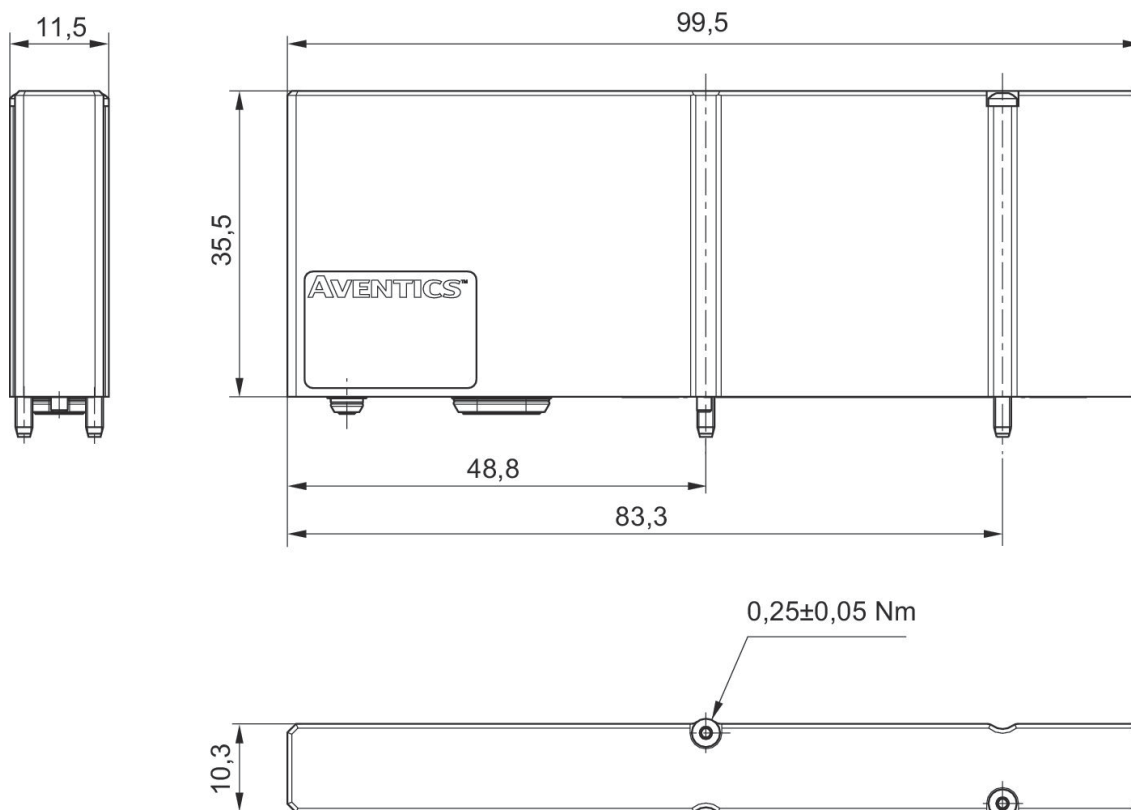


Blank plate, series XV03



Type	Plate type	Scope of delivery	Max. number of valve positions	Part No.
Blanking plate	Blanking plate	Blank plate, sealing kit, mounting screws	1	R572AB555872001

Dimensions



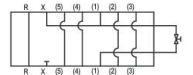
### Shut-off module, Series XV03

Activation: Mechanical

Ambient temperature min./max.: -10 °C ... 50 °C

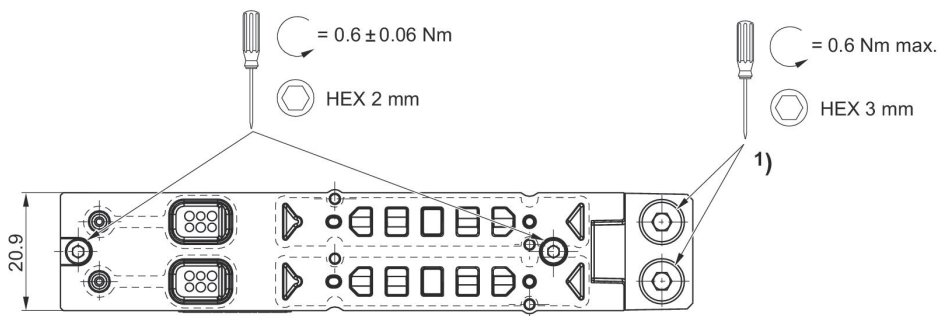
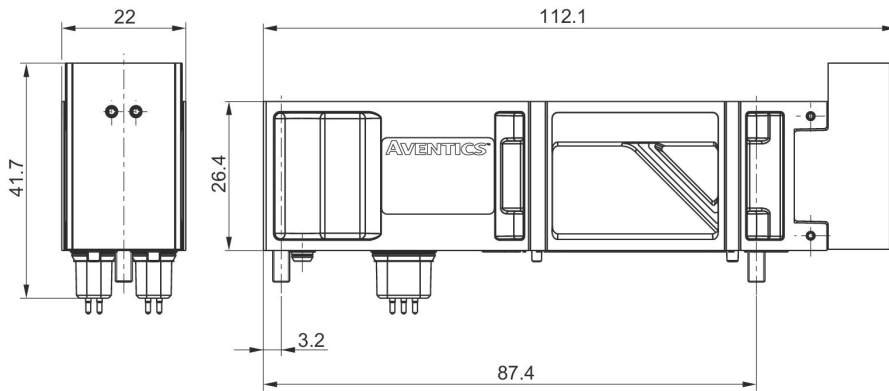
Medium temperature min./max.: -10 °C ... 50 °C

Working pressure min./max.: -0.95 bar ... 8 bar



Housing material	Part No.
Aluminum	R572AY555660001

Dimensions



1) 2.7 turns, clockwise: close, counterclockwise: open

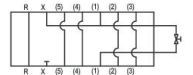
### Shut-off module, series XV03, extended

Activation: Mechanical

Ambient temperature min./max.: -10 °C ... 50 °C

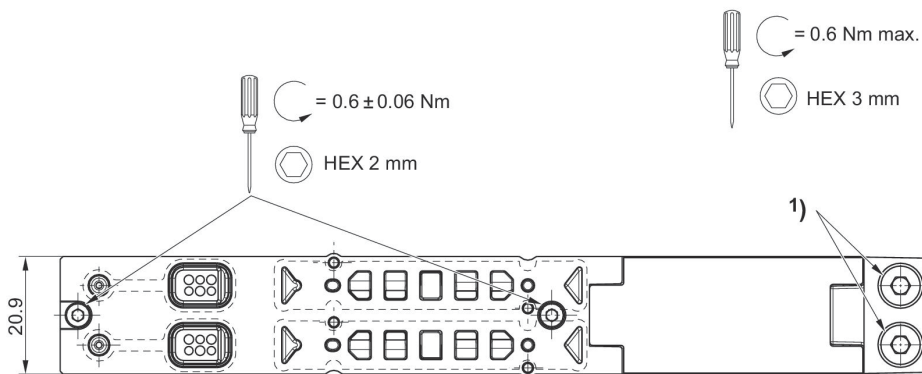
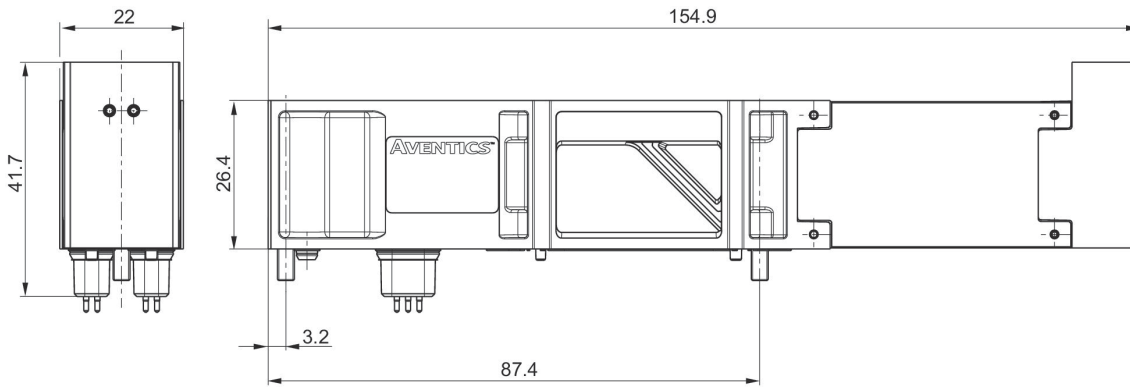
Medium temperature min./max.: -10 °C ... 50 °C

Working pressure min./max.: -0.95 bar ... 8 bar



Housing material	Part No.
Aluminum	R572AY555661001

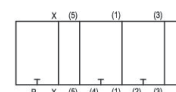
Dimensions



1) 2.7 turns, clockwise: close, counterclockwise: open

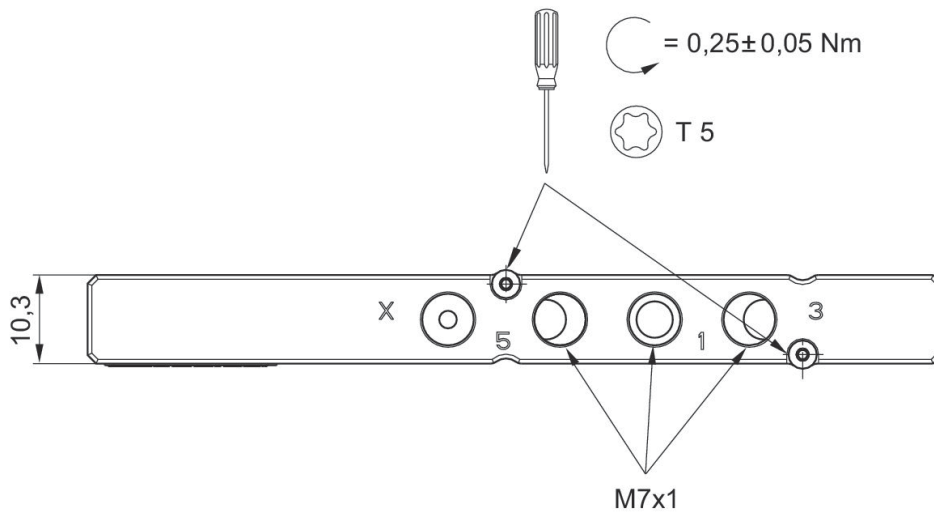
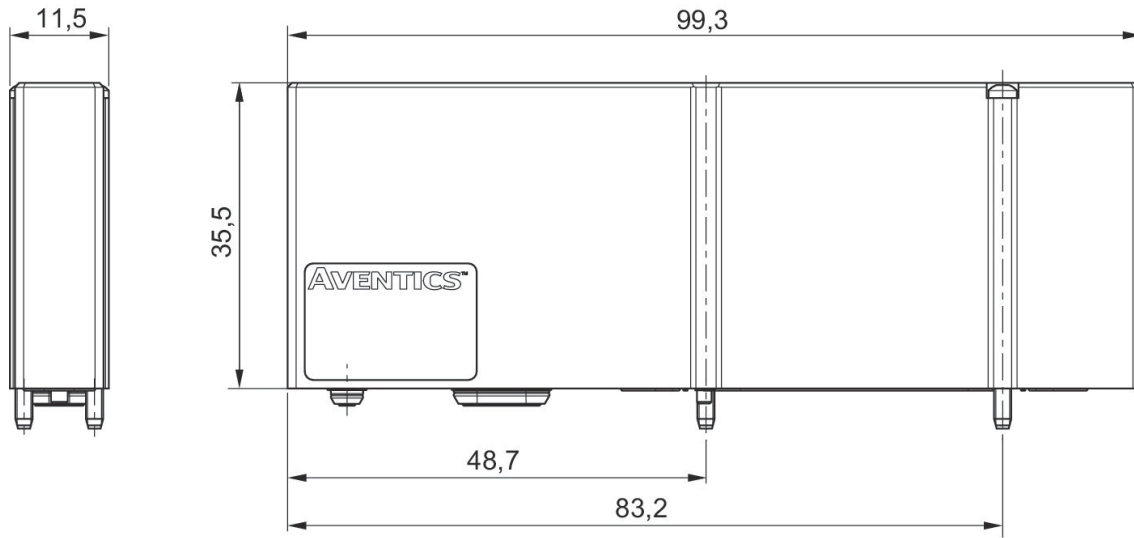
**Supply plate, series XV03**

Ambient temperature min./max.: -10 °C ... 50 °C  
Working pressure min./max.: -0.95 bar ... 8 bar

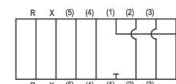


Thread connection	Max. number of valve positions	Part No.
T5	1	H572AZ562822001

Dimensions

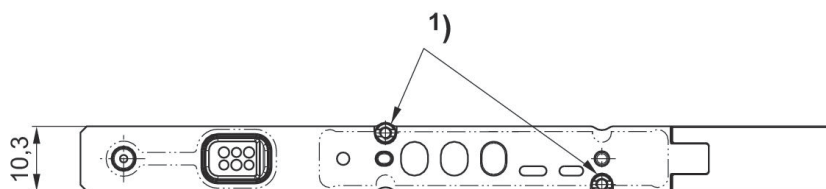
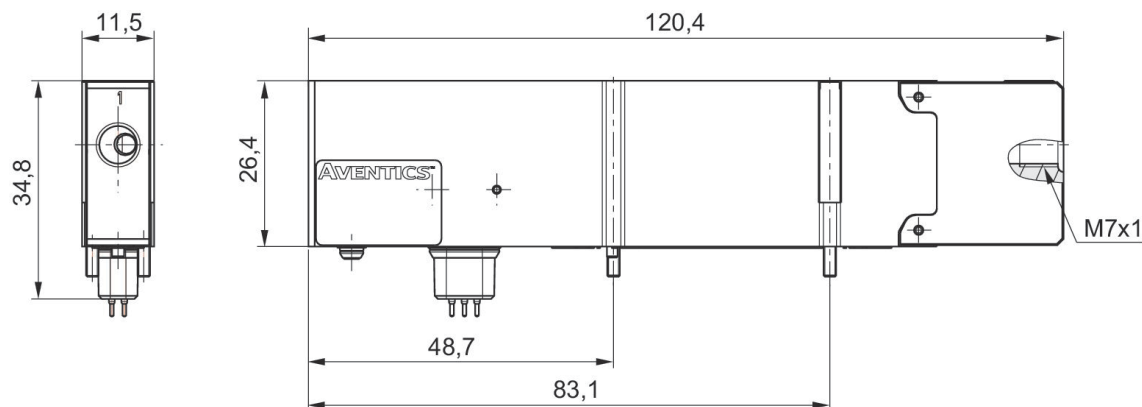


**Air supply sandwich plate, series XV03**



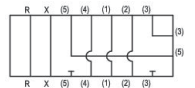
Scope of delivery	Max. number of valve positions	Part No.
Sandwich plate, sealing kit, mounting screws	1	H572AW555464001

Dimensions



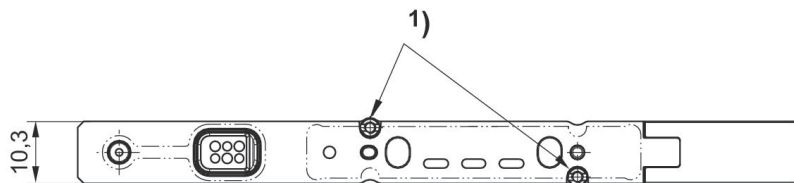
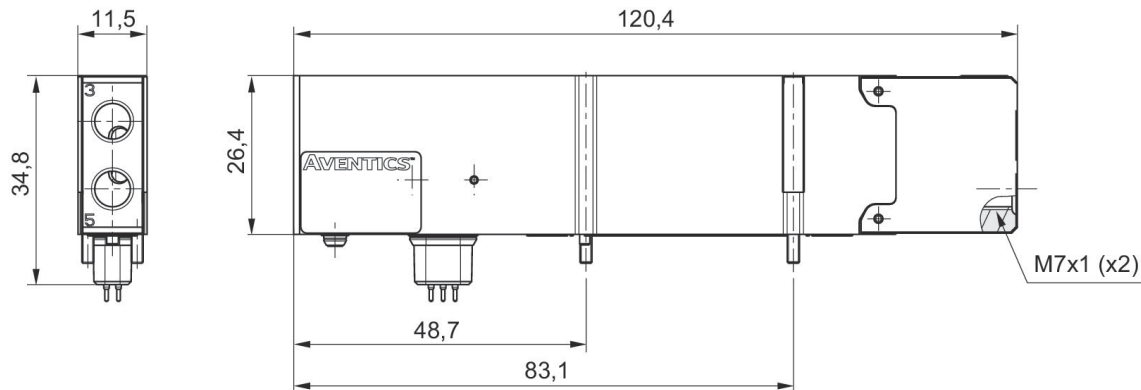
1) Tightening torque: 0,2 Nm ±0,02

Exhaust sandwich plate, series XV03



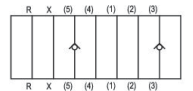
Scope of delivery	Max. number of valve positions	Part No.
Sandwich plate, sealing kit, mounting screws	1	H572AX555465001

Dimensions

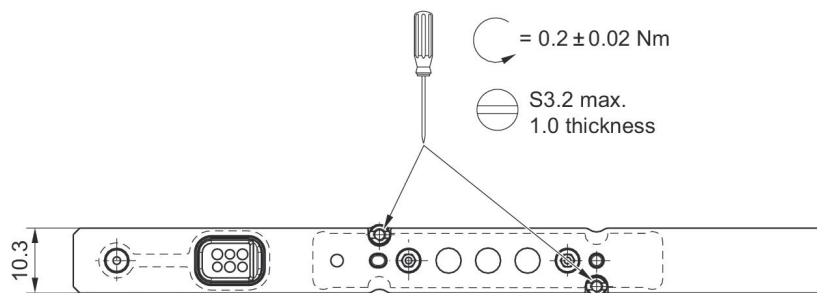
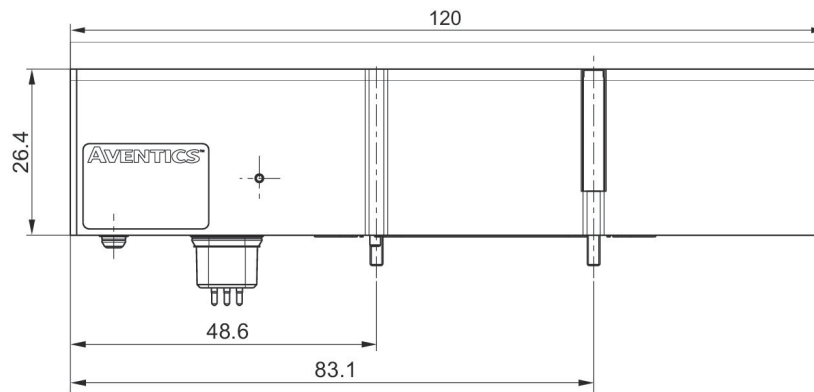
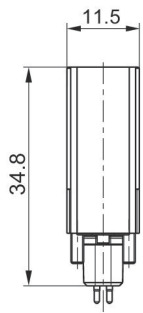


1) Tightening torque: 0,2 Nm ±0,02

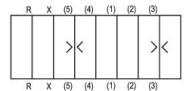
Non-return valve, series XV03



Max. number of valve positions	Part No.
1	R572AS555952001

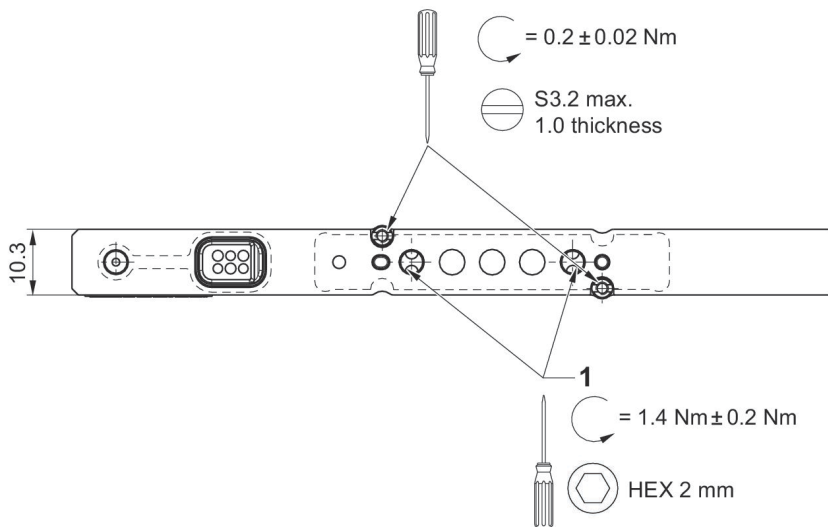
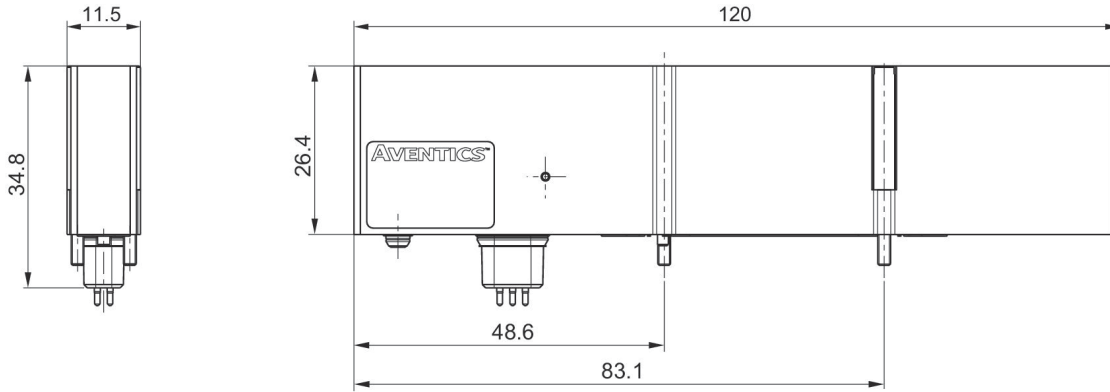


Throttle sandwich plate, series XV03



Max. number of valve positions	Part No.
1	R572AS555951001

Dimensions



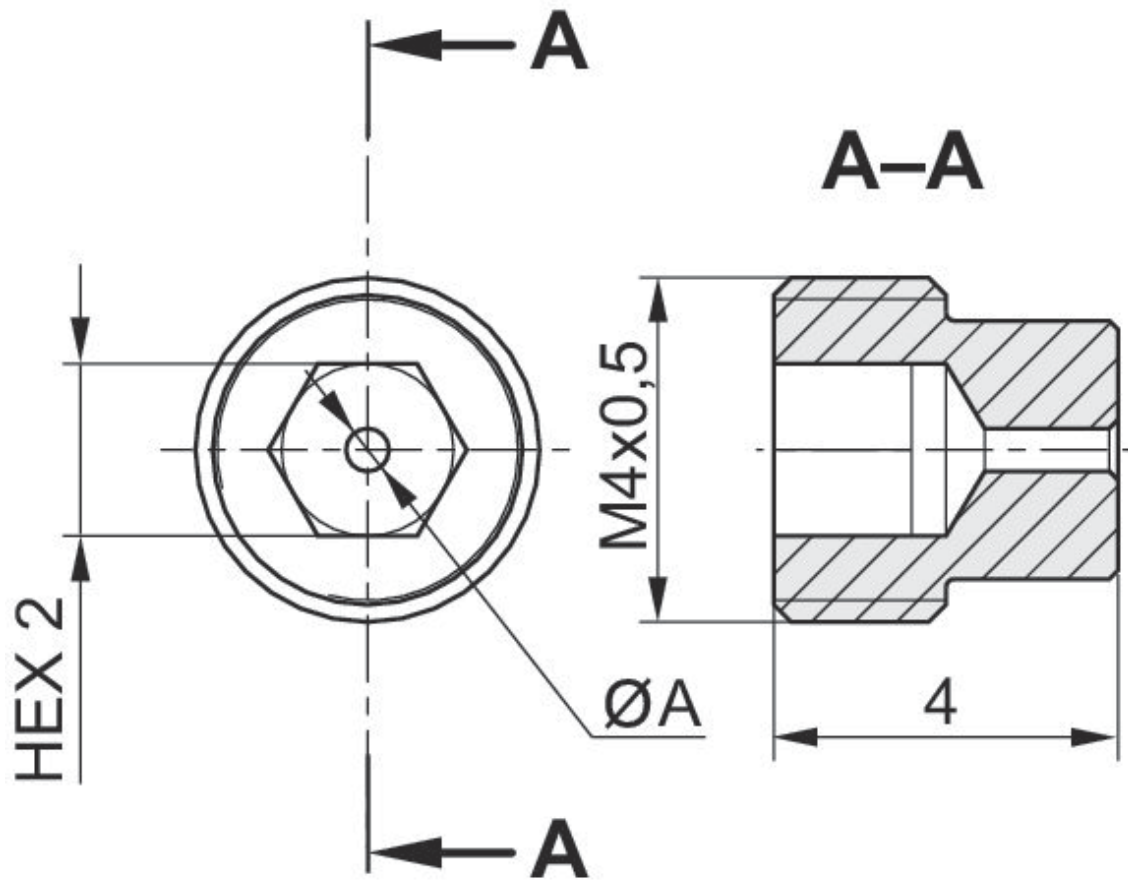
1) Orifice plugs are available separately.

## Orifice plugs



Type	Nominal flow Qn [l/min]	Orifice size Ø A	Delivery unit [piece]	Weight [kg]	Part No.
Orifice plug for flow control	18	0,5 ± 0,03	10	0.025	P572AU556022101
Orifice plug for flow control	26	0,6 ± 0,03	10	0.024	P572AU556022102
Orifice plug for flow control	35	0,7 ± 0,03	10	0.024	P572AU556022103
Orifice plug for flow control	45	0,85 ± 0,03	10	0.024	P572AU556022104
Orifice plug for flow control	55	1,05 ± 0,03	10	0.023	P572AU556022105
Orifice plug for flow control	65	1,2 ± 0,03	10	0.023	P572AU556022106
Orifice plug for flow control	75	1,4 ± 0,03	10	0.023	P572AU556022107
Orifice plug for flow control	85	1,6 ± 0,03	10	0.022	P572AU556022108
Orifice plug for flow control	95	1,8 ± 0,03	10	0.021	P572AU556022109
Orifice plug for flow control	105	2 ± 0,03	10	0.02	P572AU556022110
Orifice plug for flow control			2		P572AU556022111

Dimensions

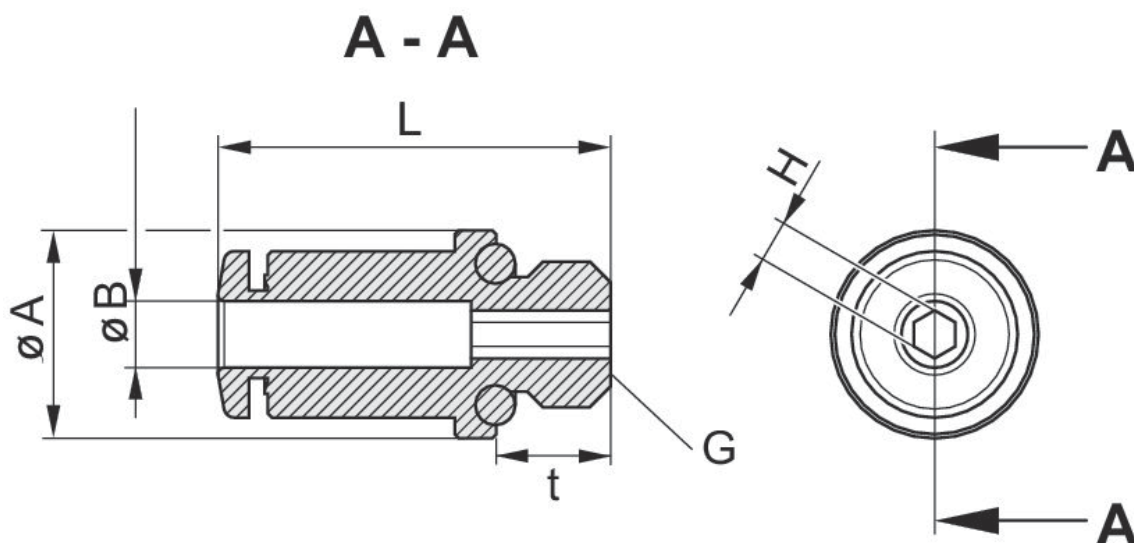


## Straight fitting, M7x1



G	Delivery unit [piece]	Material	Part No.
M7x1	2	Brass, nickel-plated	K599AU571903732
M7x1	5	Brass, nickel-plated	K599AU571903735
M7x1	10	Brass, nickel-plated	K599AU571903730
M7x1	2	Brass, nickel-plated	K599AU571903712
M7x1	5	Brass, nickel-plated	K599AU571903715
M7x1	10	Brass, nickel-plated	K599AU571903710
M7x1	2	Brass, nickel-plated	K599AU571903742
M7x1	5	Brass, nickel-plated	K599AU571903745
M7x1	10	Brass, nickel-plated	K599AU571903740
M7x1	2	Brass, nickel-plated	K599AU571903762
M7x1	5	Brass, nickel-plated	K599AU571903765
M7x1	10	Brass, nickel-plated	K599AU571903760
M7x1	2	Brass, nickel-plated	K599AU571903722
M7x1	5	Brass, nickel-plated	K599AU571903725
M7x1	10	Brass, nickel-plated	K599AU571903720

Dimensions



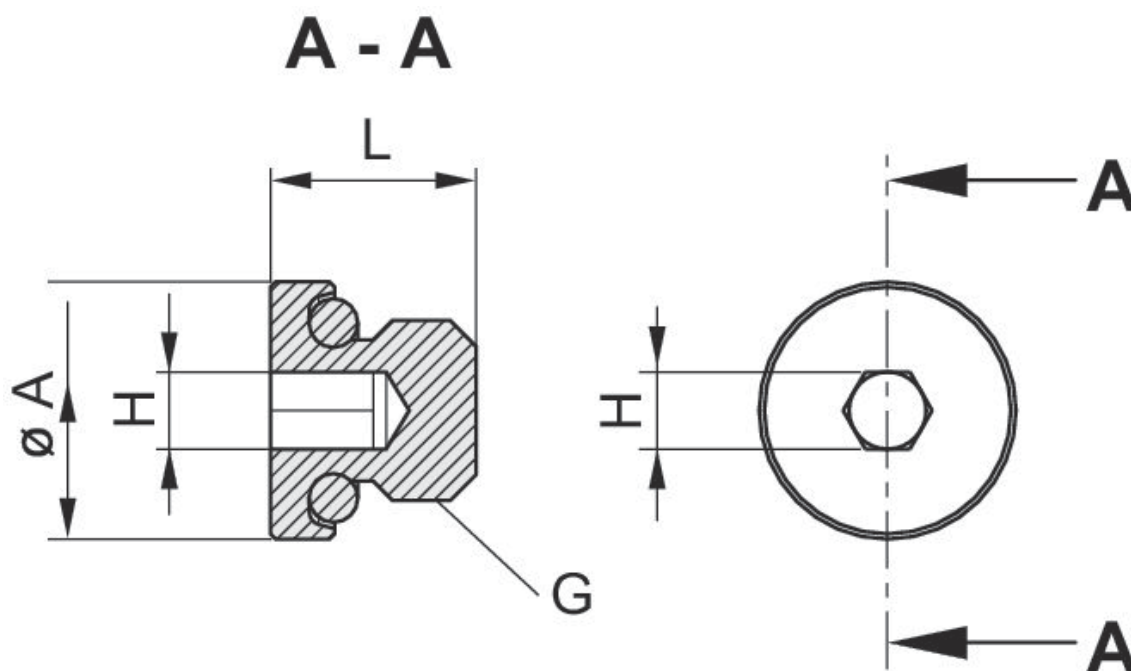
Part No.	Port G t=depth of thread	A	B	L	H	Delivery quantity	Recommen- ded tighte- ning torque
K599AU571903732	M7x1 t=5,5	10	3	18,9	2	2	3,5 ± 0,5 Nm
K599AU571903735	M7x1 t=5,5	10	3	18,9	2	5	3,5 ± 0,5 Nm
K599AU571903730	M7x1 t=5,5	10	3	18,9	2	10	3,5 ± 0,5 Nm
K599AU571903712	M7x1 t=5,5	10	1/8"	18,9	2	2	3,5 ± 0,5 Nm
K599AU571903715	M7x1 t=5,5	10	1/8"	18,9	2	5	3,5 ± 0,5 Nm
K599AU571903710	M7x1 t=5,5	10	1/8"	18,9	2	10	3,5 ± 0,5 Nm
K599AU571903742	M7x1 t=5,5	10	4 mm+5/32"	20,55	3	2	3,5 ± 0,5 Nm
K599AU571903745	M7x1 t=5,5	10	4 mm+5/32"	20,55	3	5	3,5 ± 0,5 Nm
K599AU571903740	M7x1 t=5,5	10	4 mm+5/32"	20,55	3	10	3,5 ± 0,5 Nm
K599AU571903762	M7x1 t=5,5	10	6	20,5	4	2	3,5 ± 0,5 Nm
K599AU571903765	M7x1 t=5,5	10	6	20,5	4	5	3,5 ± 0,5 Nm
K599AU571903760	M7x1 t=5,5	10	6	20,5	4	10	3,5 ± 0,5 Nm
K599AU571903722	M7x1 t=5,5	10	1/4"	20,5	4	2	3,5 ± 0,5 Nm
K599AU571903725	M7x1 t=5,5	10	1/4"	20,5	4	5	3,5 ± 0,5 Nm
K599AU571903720	M7x1 t=5,5	10	1/4"	20,5	4	10	3,5 ± 0,5 Nm

Blanking screw, M7x1



G	Delivery unit [piece]	Material	Part No.
M7x1	2	Brass, nickel-plated	K599AU571903792
M7x1	5	Brass, nickel-plated	K599AU571903795
M7x1	10	Brass, nickel-plated	K599AU571903790

Dimensions



Part No.	Port G	A	L	H	Delivery quantity	Recommended tightening torque
K599AU571903792	M7x1	10	8	3	2	3,5 ± 0,5 Nm
K599AU571903795	M7x1	10	8	3	5	3,5 ± 0,5 Nm
K599AU571903790	M7x1	10	8	3	10	3,5 ± 0,5 Nm

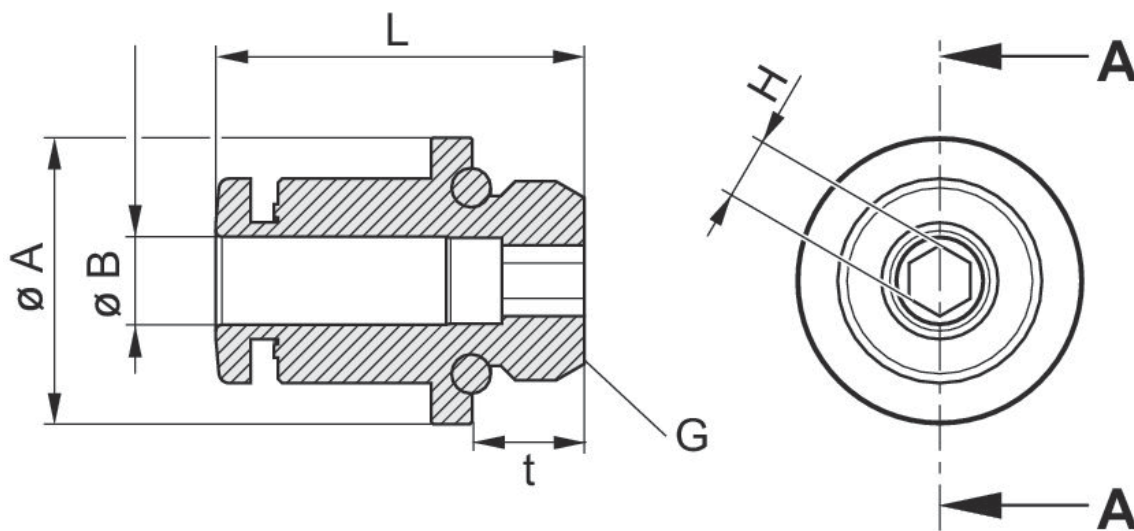
## Straight fitting, 1/8" BSP



G	Delivery unit [piece]	Material	Part No.
1/8" BSP	2	Brass, nickel-plated	K599AU571903142
1/8" BSP	5	Brass, nickel-plated	K599AU571903145
1/8" BSP	10	Brass, nickel-plated	K599AU571903140
1/8" BSP	2	Brass, nickel-plated	K599AU571903162
1/8" BSP	5	Brass, nickel-plated	K599AU571903165
1/8" BSP	10	Brass, nickel-plated	K599AU571903160
1/8" BSP	2	Brass, nickel-plated	K599AU571903182
1/8" BSP	5	Brass, nickel-plated	K599AU571903185
1/8" BSP	10	Brass, nickel-plated	K599AU571903180

Dimensions

A - A



Part No.	Port G t=depth of thread	A	B	L	H	Delivery quantity	Recommen- ed tight- ening torque
K599AU571903142	1/8" BSP t=5,5	14	4-5/32"	18,05	3	2	6,0 ± 1,2 Nm
K599AU571903145	1/8" BSP t=5,5	14	4-5/32"	18,05	3	5	6,0 ± 1,2 Nm
K599AU571903140	1/8" BSP t=5,5	14	4-5/32"	18,05	3	10	6,0 ± 1,2 Nm
K599AU571903162	1/8" BSP t=5,5	14	6	19,65	4	2	6,0 ± 1,2 Nm
K599AU571903165	1/8" BSP t=5,5	14	6	19,65	4	5	6,0 ± 1,2 Nm
K599AU571903160	1/8" BSP t=5,5	14	6	19,65	4	10	6,0 ± 1,2 Nm
K599AU571903182	1/8" BSP t=5,5	14	8	24,75	6*	2	6,0 ± 1,2 Nm
K599AU571903185	1/8" BSP t=5,5	14	8	24,75	6*	5	6,0 ± 1,2 Nm
K599AU571903180	1/8" BSP t=5,5	14	8	24,75	6*	10	6,0 ± 1,2 Nm

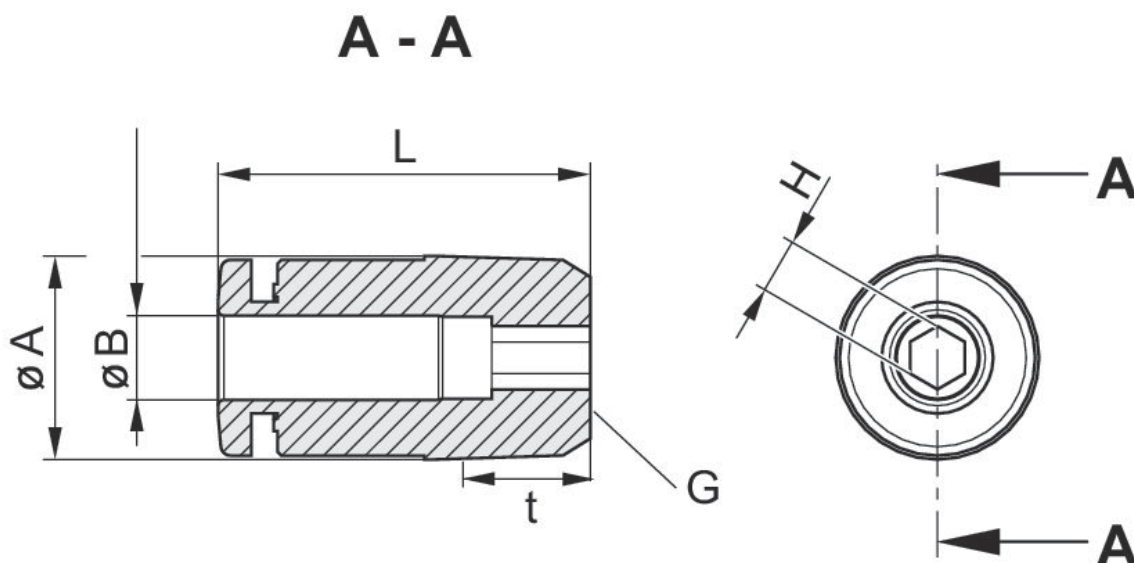
\* The length of the clamping tool should be at least 14 mm.

## Straight fitting, 1/8" NPT



G	Delivery unit [piece]	Material	Part No.
NPT 1/8"	2	Brass, nickel-plated	K599AU571903542
NPT 1/8"	5	Brass, nickel-plated	K599AU571903545
NPT 1/8"	10	Brass, nickel-plated	K599AU571903540
NPT 1/8"	2	Brass, nickel-plated	K599AU571903522
NPT 1/8"	5	Brass, nickel-plated	K599AU571903525
NPT 1/8"	10	Brass, nickel-plated	K599AU571903520
NPT 1/8"	2	Brass, nickel-plated	K599AU571903582
NPT 1/8"	5	Brass, nickel-plated	K599AU571903585
NPT 1/8"	10	Brass, nickel-plated	K599AU571903580

Dimensions



Part No.	Port G t=depth of thread	A	B	L	H	Delivery quantity	Recommen- ded tight- ening torque
K599AU571903542	1/8" NPT t=8,5	10.4	4 mm + 5/32"	19.05	7/64"	2	3 - 4 Nm
K599AU571903545	1/8" NPT t=8,5	10.4	4 mm + 5/32"	19.05	7/64"	5	3 - 4 Nm
K599AU571903540	1/8" NPT t=8,5	10.4	4 mm + 5/32"	19.05	7/64"	10	3 - 4 Nm
K599AU571903522	1/8" NPT t=8,5	13	1/4"	22,3	5/32"	2	3 - 4 Nm
K599AU571903525	1/8" NPT t=8,5	13	1/4"	22,3	5/32"	5	3 - 4 Nm
K599AU571903520	1/8" NPT t=8,5	13	1/4"	22,3	5/32"	10	3 - 4 Nm
K599AU571903582	1/8" NPT t=8,5	14	8 mm + 5/16"	26,75	7/32" *	2	3 - 4 Nm
K599AU571903585	1/8" NPT t=8,5	14	8 mm + 5/16"	26,75	7/32" *	5	3 - 4 Nm
K599AU571903580	1/8" NPT t=8,5	14	8 mm + 5/16"	26,75	7/32" *	10	3 - 4 Nm

\* The length of the clamping tool should be at least 20 mm.

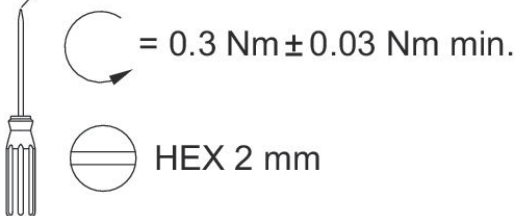
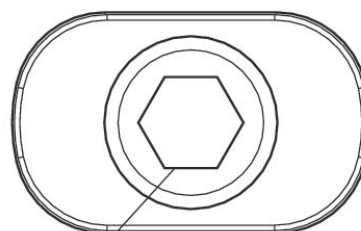
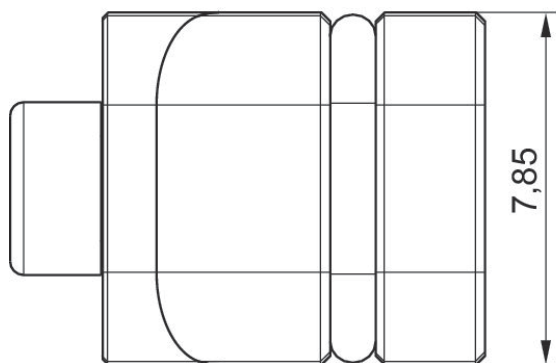
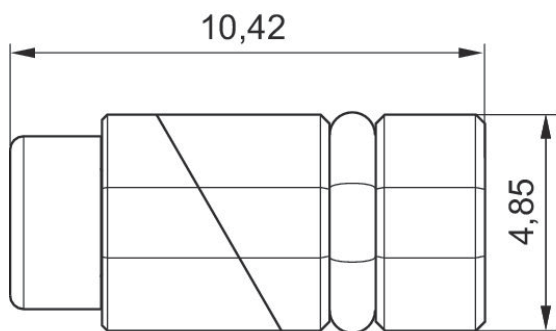
### Separator for channel 1, 3, 5

Ambient temperature min./max.: -10 °C ... 50 °C  
Working pressure min./max.: -0.95 bar ... 8 bar



Delivery unit [piece]	Weight [kg]	Part No.
10	0.01	P572AD567994001

Dimensions



## Separator for channel X

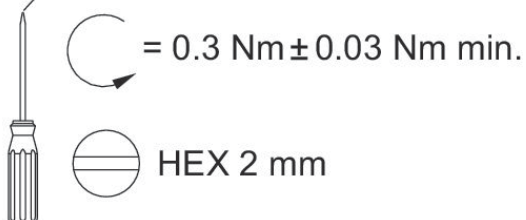
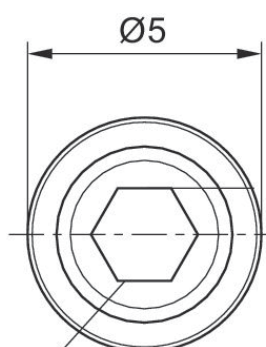
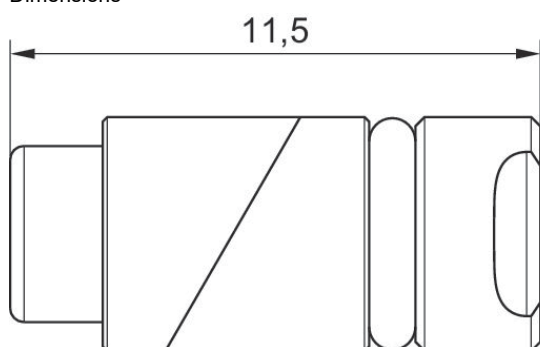
Ambient temperature min./max.: -10 °C ... 50 °C

Working pressure min./max.: 3 bar ... 8 bar



Delivery unit [piece]	Weight [kg]	Part No.
10	0.01	P572AD568264001

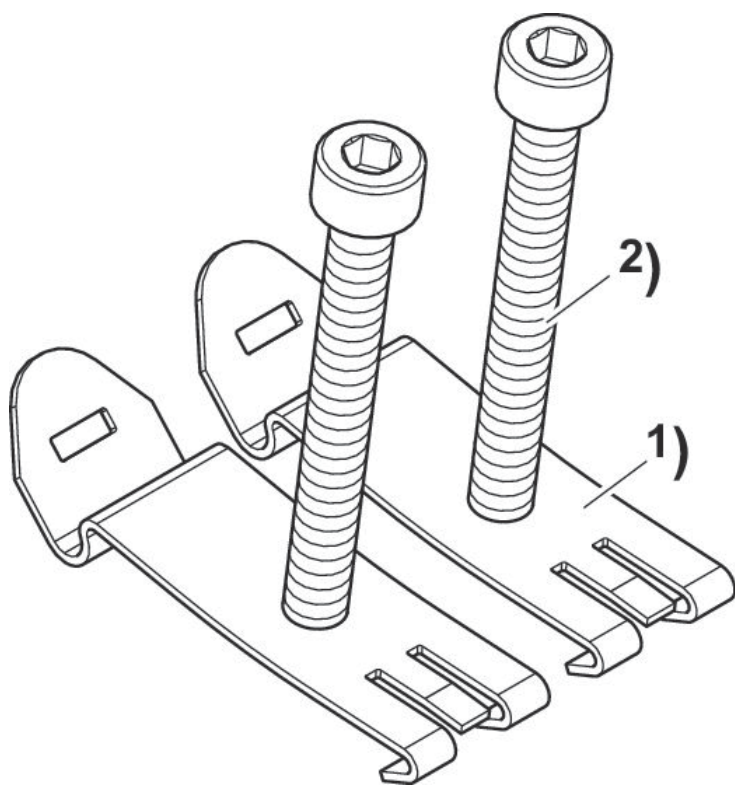
### Dimensions



Mounting kit for DIN rail XV03



Delivery unit [piece]	Material	Part No.
2	Stainless Steel	P572AU569467001



- 1) DIN rail
- 2) Hexagon screw M4x35

**Blanking screw, gasket**

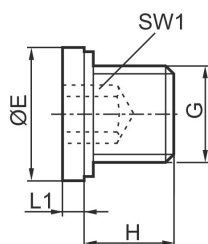
Ambient temperature min./max.: -20 °C ... 80 °C

Working pressure min./max.: 0 bar ... 16 bar



G	Delivery unit [piece]	Part No.
G 1/8	25	1823462028
G 1/4	25	1823462029
G 1/2	25	1823462031

## Dimensions



Part No.	Port G	Ø E	H	L1	SW1
1823462028	G 1/8	14	8	3	5
1823462029	G 1/4	18	12	3	6
1823462030	G 3/8	22	12	3	8
1823462031	G 1/2	26	14	4	10
1823462032	G 3/4	32	16	4	12
1823462033	G 1	39	16	5	17

### AVENTICS Series SI1 Silencers

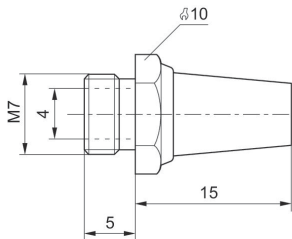
Compressed air connection type: External thread  
 Silencer material: Sintered bronze  
 Ambient temperature min./max.: -25 °C ... 80 °C  
 Working pressure min./max.: 0 bar ... 10 bar



G	Sound pressure level [dB]	Nominal flow [l/min]	Delivery unit [piece]	Weight [kg]	Part No.
M7			10	0.005	8140000700
G 1/8	75	1623	10	0.01	1827000000
G 1/4	79	3390	10	0.02	1827000001
G 3/8	84	6554	5	0.05	1827000002
G 1/2	90	7223	2	0.08	1827000003

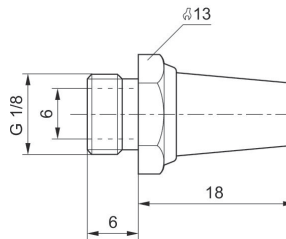
#### 8140000700

Dimensions in mm



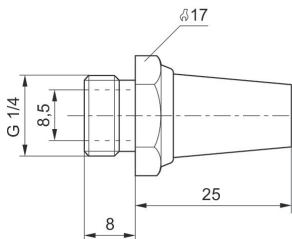
#### 1827000000

Dimensions in mm



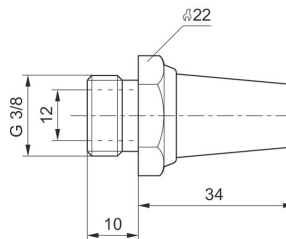
#### 1827000001

Dimensions in mm



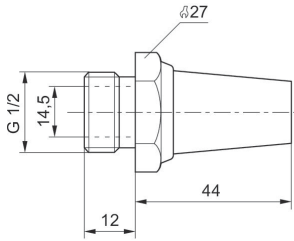
#### 1827000002

Dimensions in mm



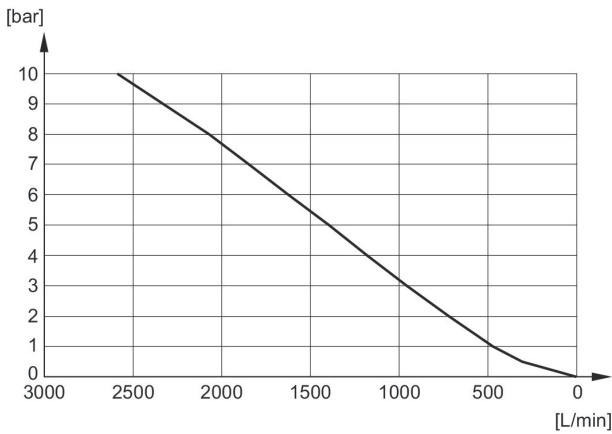
**1827000003**

Dimensions in mm



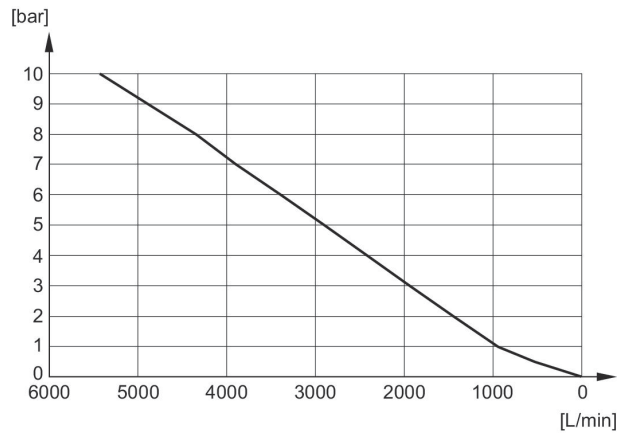
**Flow diagram**

**1827000000**



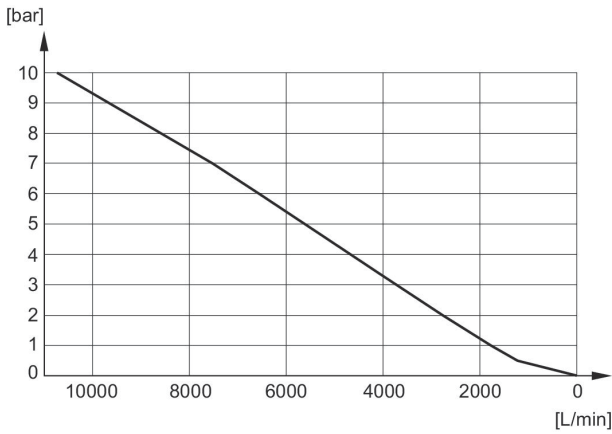
**Flow diagram**

**1827000001**



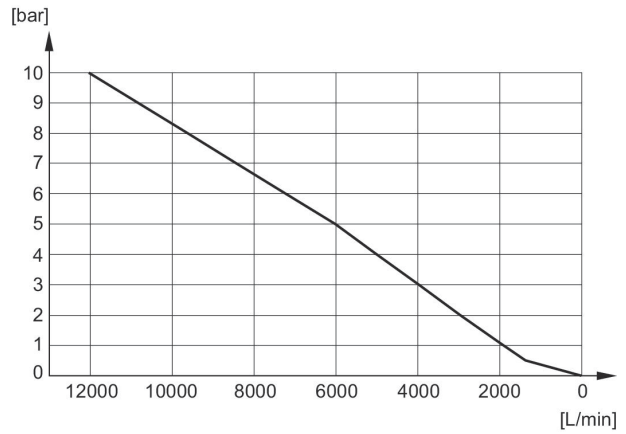
**Flow diagram**

**1827000002**



**Flow diagram**

**1827000003**



**AVENTICS Series SI1 Silencers**

Compressed air connection type: External thread

Silencer material: Polyethylene

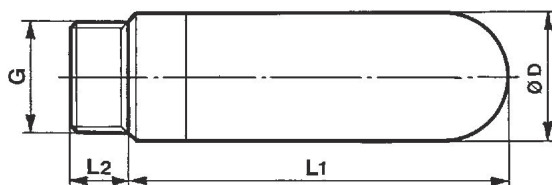
Ambient temperature min./max.: -25 °C ... 80 °C

Working pressure min./max.: 0 bar ... 10 bar



G	Sound pressure level [dB]	Nominal flow [l/min]	Delivery unit [piece]	Weight [kg]	Part No.
G 1/8	78	1560	5	0.002	1827000019
G 1/4	80	3447	5	0.003	1827000020
G 1/2	88	7142	1	0.013	1827000022

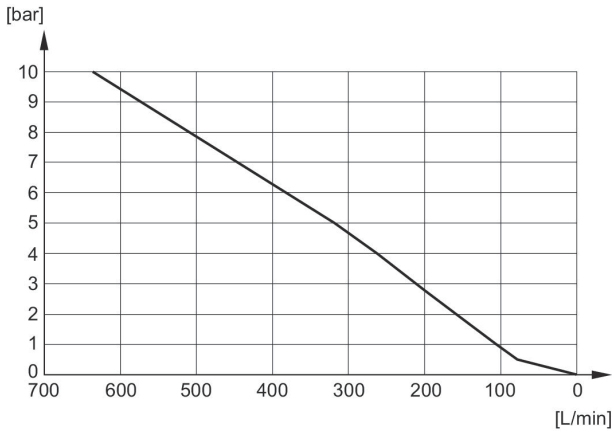
## Dimensions



Part No.	Port G	Ø D	L1	L2
1827000018	M5	6.5	17.5	4
1827000019	G 1/8	12.5	28.5	5.5
1827000020	G 1/4	15.5	34.5	8
1827000021	G 3/8	18.5	56	11.5
1827000022	G 1/2	23.3	66.5	11
1827000023	G 3/4	38.5	115.5	16
1827000024	G 1	49	140	21

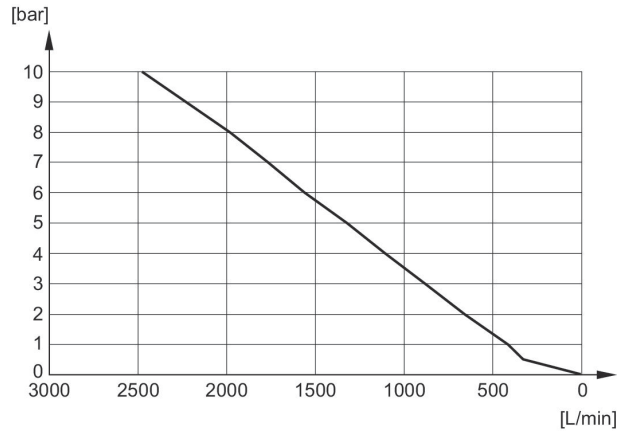
Flow diagram

1827000018



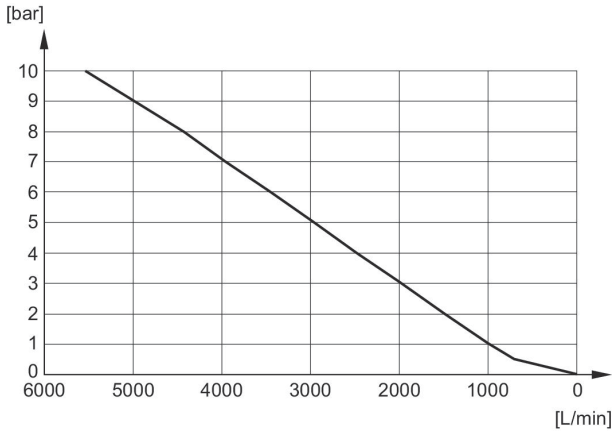
Flow diagram

1827000019



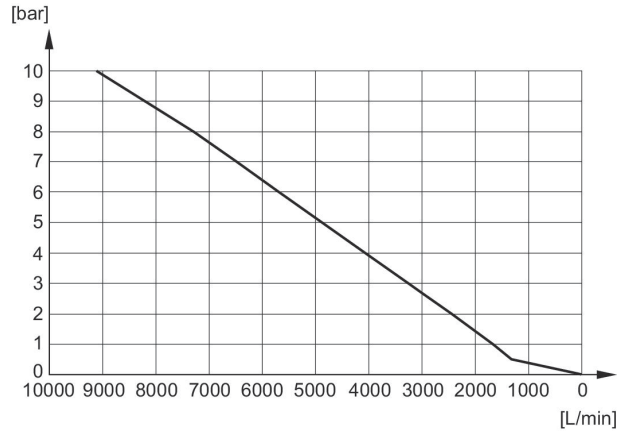
Flow diagram

1827000020



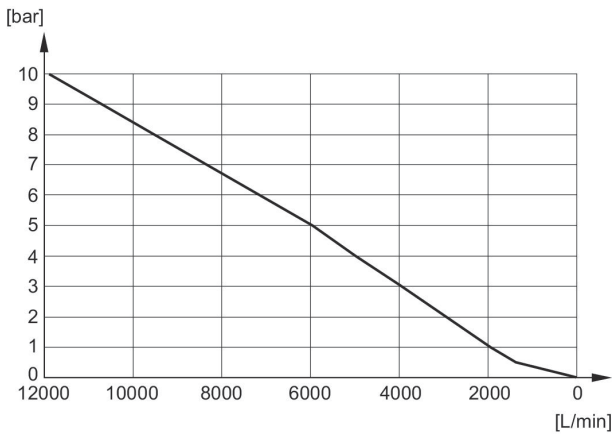
Flow diagram

1827000021



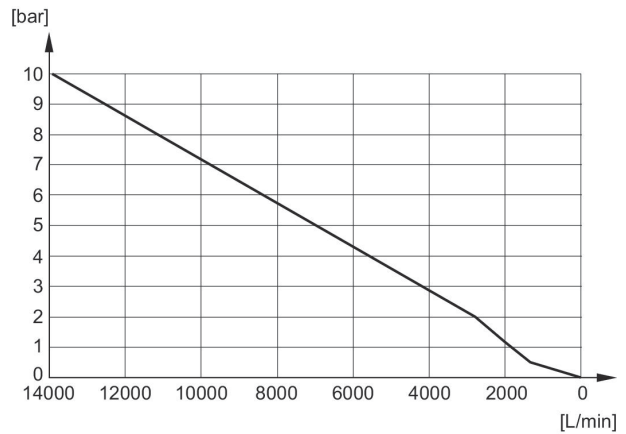
Flow diagram

1827000022



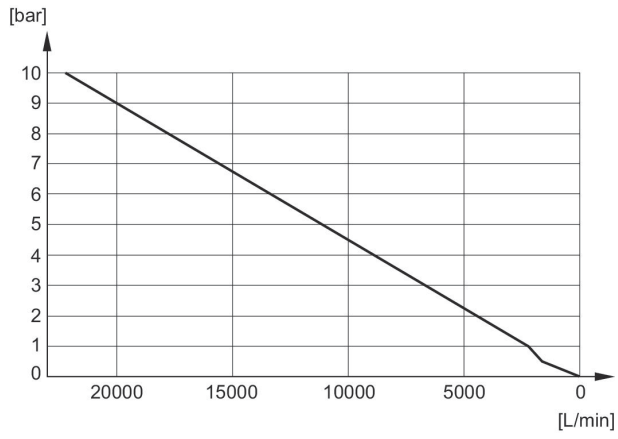
Flow diagram

1827000023



Flow diagram

1827000024

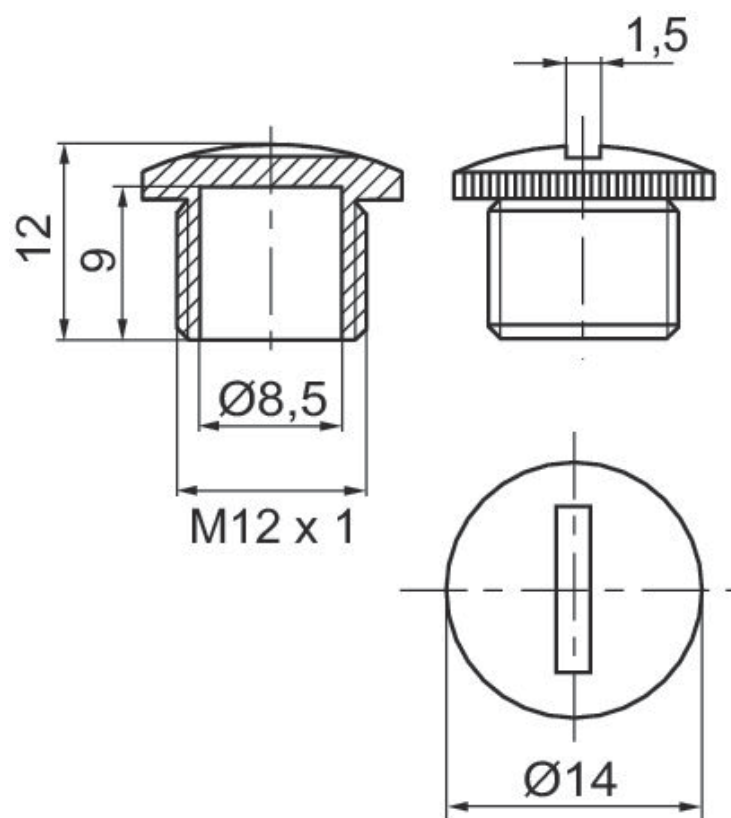


## Protective cap, series CON-RD, M12x1



Type	Delivery unit [piece]	Weight [kg]	Material	Part No.
M12x1	50	0.001	Polyamide	1823312001





## Dimensions



Efficient pneumatic solutions, our program:  
cylinders and drives, valves and valve systems,  
air supply management, proportional pressure  
control valves



Visit us: [www.Emerson.com/aventics](http://www.Emerson.com/aventics)  
Your local contact: [Emerson.com/contactus](http://Emerson.com/contactus)

-  [Emerson.com](http://Emerson.com)
-  [Facebook.com/EmersonAutomationSolutions](https://Facebook.com/EmersonAutomationSolutions)
-  [LinkedIn.com/company/Emerson-Automation-Solutions](https://LinkedIn.com/company/Emerson-Automation-Solutions)
-  [Twitter.com/EMR\\_Automation](https://Twitter.com/EMR_Automation)



The Emerson logo is a trademark and service mark of Emerson Electric Co. AVENTICS is a registered trademark of one of the Emerson family of companies. All other trademarks are the property of their respective owners. © 2020 Emerson Electric Co. All rights reserved.



**CONSIDER IT SOLVED™**