

Series 581, size 3



AVENTICS™

ISO 5599-1, size 3, series 581


EMERSON™

Series 581, size 3

The AVENTICS series 581 complies with the ISO 5599-1 valve standard. Due to the high degree of modularity, the series offers all valve functions, integrated throttle valves, various pilot coils and an extensive range of accessories.

- Standardized valve system
- Robust design
- Numerous voltage ranges
- Pressure range up to 16 bar possible
- CNOMO interface
- Small dimensions
- Fast shifting times
- Easy and flexible custom specific configurations via online configurator



Product overview

Electrically operated

	Page
5/2-directional valve, Series 581, size 3, Basic valve for CNOMO pilot valve, with differential piston.....	7
Single Solenoid - Soft seal	
5/2-directional valve, Series 581, size 3, Basic valve for CNOMO pilot valve, with differential piston.....	8
Single Solenoid - Soft seal	
5/2-directional valve, Series 581, size 3, Basic valve for CNOMO pilot valve.....	9
Double Solenoid - Soft seal	
5/2-directional valve, Series 581, size 2, Basic valve for CNOMO pilot valve.....	10
Double Solenoid - Soft seal	
5/2-directional valve, Series 581, size 3, Basic valve for CNOMO pilot valve.....	11
Double Solenoid - Soft seal	
5/2-directional valve, Series 581, size 3, Basic valve for CNOMO pilot valve.....	12
Basic valve for CNOMO pilot valve - Double Solenoid - Soft seal	
5/2-directional valve, Series 581, size 3, with differential piston.....	13
M12 - with detent without detent - Soft seal	
5/2-directional valve, Series 581, size 3.....	15
M12 - Double Solenoid - Soft seal	
5/2-directional valve, Series 581, size 3.....	17
M12 - Double Solenoid - with detent without detent - Soft seal	
5/2-directional valve, Series 581, size 3, with differential piston.....	19
Form B, industry - with detent - Soft seal	
5/2-directional valve, Series 581, size 3.....	22
Form B, industry - Double Solenoid - with detent - Soft seal	
5/2-directional valve, Series 581, size 3.....	25
Form B, industry - Double Solenoid - with detent - Soft seal	
5/2-directional valve, Series 581, size 3, with differential piston.....	28
EN 175301-803, form A - with detent without detent - Soft seal	
5/2-directional valve, Series 581, size 3, with differential piston.....	30
EN 175301-803, form A - without - Soft seal	
5/2-directional valve, Series 581, size 3.....	32
EN 175301-803, form A - Double Solenoid - with detent without detent - Soft seal	
5/2-directional valve, Series 581, size 3.....	34
EN 175301-803, form A - Double Solenoid - without - Soft seal	
5/2-directional valve, Series 581, size 3.....	36
EN 175301-803, form A - Double Solenoid - without detent - Soft seal	
5/2-directional valve, Series 581, size 3.....	38
EN 175301-803, form A - Double Solenoid - with detent without detent - Soft seal	
5/2-directional valve, Series 581, size 3.....	40
EN 175301-803, form A - Double Solenoid - without - Soft seal	
5/2-directional valve, Series 581, size 3.....	42
EN 175301-803, form A - Double Solenoid - without detent - Soft seal	
5/2-directional valve, Series 581, size 3, with differential piston.....	44
EN 175301-803, form A - without detent - Soft seal	
5/2-directional valve, Series 581, size 3.....	46
EN 175301-803, form A - Double Solenoid - without detent - Soft seal	
5/2-directional valve, Series 581, size 3.....	47
EN 175301-803, form A - Double Solenoid - without detent - Soft seal	

Product overview

	Page
5/3-directional valve, Series 581, size 3, Basic valve for CNOMO pilot valve..... Soft seal	49
5/3-directional valve, Series 581, size 3, Basic valve for CNOMO pilot valve..... Single Solenoid - Soft seal	50
5/3-directional valve, Series 581, size 3..... M12 - Soft seal	51
5/3-directional valve, Series 581, size 3..... Form B, industry - with detent - Soft seal	54
5/3-directional valve, Series 581, size 3..... Form B, industry - with detent - Soft seal	57
5/3-directional valve, Series 581, size 3..... Form B, industry - with detent - Soft seal	60
5/3-directional valve, Series 581, size 3..... EN 175301-803, form A - without - Soft seal	63
5/3-directional valve, Series 581, size 3..... EN 175301-803, form A - with detent without detent - Soft seal	66
5/3-directional valve, Series 581, size 3..... EN 175301-803, form A - without detent - Soft seal	69
5/3-directional valve, Series 581, size 3..... EN 175301-803, form A - without detent - Soft seal	72
Pneumatically operated	
5/2-directional valve, Series 581, size 3..... Single Solenoid - Soft seal	74
5/2-directional valve, Series 581, size 3, Single Air Pilot, with differential piston..... Single Solenoid - Soft seal	75
5/2-directional valve, Series 581, size 3..... Single Solenoid - Soft seal	76
5/2-directional valve, Series 581, size 3, Single Air Pilot, with differential piston..... Single Solenoid - Soft seal	78
5/2-directional valve, Series 581, size 3, Double Air Pilot..... Double Solenoid - with detent - Soft seal	79
5/2-directional valve, Series 581, size 3, Double Air Pilot..... Double Solenoid - Soft seal	81
5/2-directional valve, Series 581, size 3, Double Air Pilot..... Double Solenoid - Soft seal	83
5/2-directional valve, Series 581, size 3, Double Air Pilot..... Double Solenoid - with detent - Soft seal	84
5/3-directional valve, Series 581, size 3..... Soft seal	85
5/3-directional valve, Series 581, size 3..... Soft seal	87
Accessories overview Electrical connection technologies	
Valve plug connector, series CON-VP, Form A, 300 V DC / 250 V AC, 2-pin.....	88
Valve plug connector, series CON-VP, form A, 115/230 V AC/DC.....	90
Valve plug connector, series CON-VP, Form A, 300 V DC / 250 V AC, 3-pin.....	92
Valve plug connector, series CON-VP, Form A, 24 V AC/DC, Flat gasket.....	94
Valve plug connector, series CON-VP, Form A, 24 V AC/DC, Profile seal.....	96
Valve plug connector, series CON-VP, Form A, 230 V AC/DC, Profile seal.....	98
Valve plug connector, series CON-VP, Form A, 24 V DC.....	100

Product overview

	Page
Valve plug connector with cable series CON-VP, Form A..... 230 V AC/DC	102
Valve plug connector with cable series CON-VP, Form A..... Varistor - 230 V AC/DC	104
Valve plug connector with cable series CON-VP, Form B industry, 0° female insert.....	106
Valve plug connector, series CON-VP, Form B, industry, 300 V DC / 250 V AC.....	108
Valve plug connector, series CON-VP, Form B, industry, 24 V AC/DC.....	110
Valve plug connector, series CON-VP, Form B, industry, 115/230 V AC/DC.....	112
Round plug connector, Series CON-RD..... Plug - M12x1 - 4-pin - straight - Socket - M12x1 - 4-pin - straight	114
Round plug connector, Series CON-RD..... Plug - M12x1 - 5-pin - angled - Socket - M12x1 - 5-pin - straight	115
Round plug connector, Series CON-RD..... Socket - M12x1 - 4-pin - angled - Screws	116
Round plug connector, Series CON-RD..... With knurled nut - Socket - M12x1 - 4-pin - angled - Screws	117
Round plug connector, Series CON-RD, open cable ends, straight..... Socket - M12x1 - 5-pin - straight - without wire end ferrule, tin-plated - 4-pin	118
Round plug connector, Series CON-RD, 5-pin, angled, unshielded..... Socket - M12x1 - 5-pin - angled - without wire end ferrule, tin-plated - 4-pin	120
Round plug connector, Series CON-RD..... Socket - M12x1 - 4-pin - straight - Screws	122
Round plug connector, Series CON-RD..... With knurled nut - Socket - M12x1 - 4-pin - straight - Screws	123
Coil, Series CO1, with cable, ATEX..... Cable with valve plug connector - ATEX	124
Accessories overview base plates	
End plates for adapter plate.....	126
Base plate.....	128
Transition plate, ISO 1 > ISO 3.....	129
Transition plate, ISO 2 > ISO 3.....	130
Single subbase, for soft-start valve.....	131
Single subbase, ports on side.....	132
Single subbase, thread connections on the side.....	133
Single subbase, thread connections on the bottom.....	134
Single subbase, ports on bottom.....	136
Base plate, ports 2 and 4 on bottom.....	137
Base plate, ports 2 and 4 on bottom.....	139
Blanking plate.....	141
Blanking plate.....	142
End plate left, End plate right.....	143
End plate right.....	145
Base plate.....	146
End plate left, End plate right.....	148
End plate right, Inch version.....	150
End plate left, Inch version.....	151
ISO 5599-1, Base and end plates, Inch version.....	152
End plate left.....	154
Throttle plate.....	155

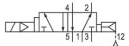
Product overview

	Page
Angle subplate.....	157
Accessories overview Pressure gauge	
Pressure gauge, Series PG1-ROU.....	159
EN 837-1	
Pressure gauge, Series PG1-SAS.....	160
EN 837-1	
Accessories overview Mechanical pressure regulation systems	
Pressure regulator.....	161
ISO 5599-1	
Accessories overview Mechanical accessories	
Control unit for manual override.....	164
Blanking piece.....	166
according to ISO 5599	
Separator set.....	167
ISO 5599-1	
Blanking piece.....	168
ISO 5599-1	
Valve cover seal, Valve housing seal.....	169
valve cover, with or without pilot valve.....	170
ISO 5599-1	
valve housing, without cover.....	171
Aluminum - ISO 5599-1	
throttle insert for flow control in 3/5.....	172
Blanking piece, Subbases ISO 5599-1.....	174
ISO 5599-1	
Accessories overview Pilot valves	
Pilot valve with cable.....	175
without detent	
Pilot valve.....	176
without detent	
Pilot valve.....	177
Pilot valve.....	178
3/2-directional valve.....	180

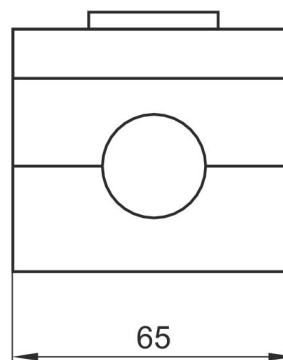
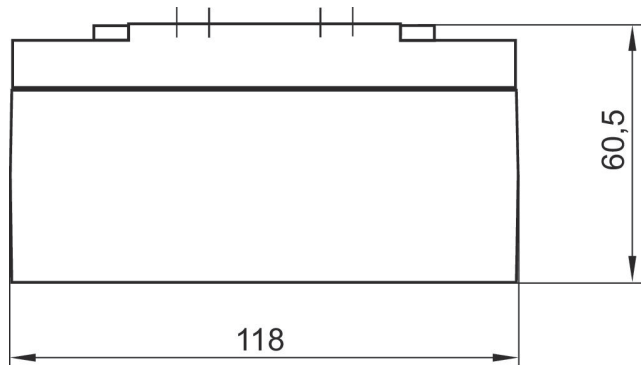
5/2-directional valve, Series 581, size 3, Basic valve for CNOMO pilot valve, with differential piston

Flow: 4800 l/min
 Activation: Electrically
 Control pressure min./max.: 1.5 bar ... 16 bar
 Duty cycle: 100 %
 Type: Spool valve
 Ambient temperature min./max.: -20 °C ... 70 °C
 Medium temperature min./max.: -20 °C ... 70 °C
 Working pressure min./max.: -0.95 bar ... 16 bar



	Switching principle	Pilot	Part No.
	5/2, with air spring return	External, Internal	5813680100

Dimensions



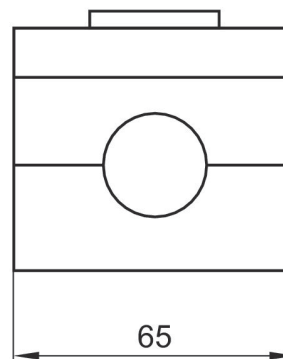
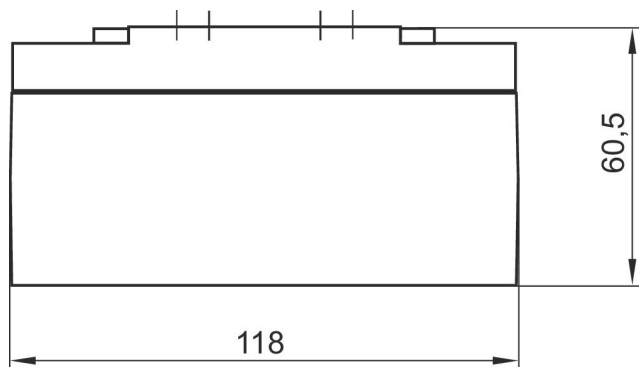
5/2-directional valve, Series 581, size 3, Basic valve for CNOMO pilot valve, with differential piston

Flow: 4800 l/min
 Activation: Electrically
 Control pressure min./max.: 1.5 bar ... 16 bar
 Duty cycle: 100 %
 Type: Spool valve
 Ambient temperature min./max.: -20 °C ... 70 °C
 Medium temperature min./max.: -20 °C ... 70 °C
 Working pressure min./max.: -0.95 bar ... 16 bar



	Switching principle	Pilot	Throttle	Part No.
	5/2, with air spring return	External, Internal		5813680000
	5/2, with air spring return	External, Internal	with throttle	5813681000

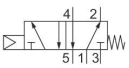
Dimensions



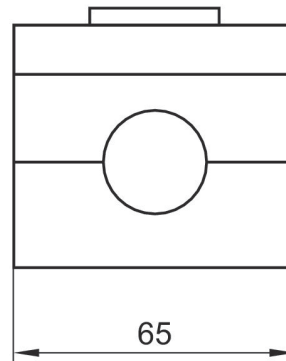
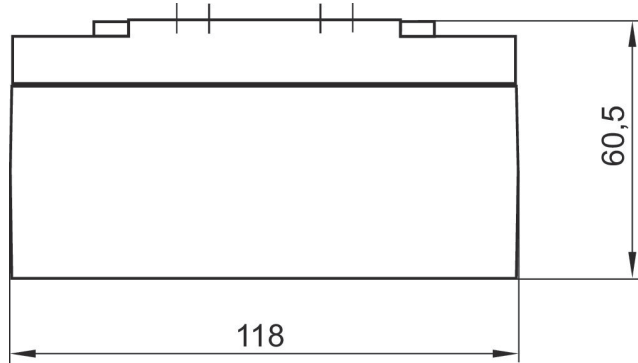
5/2-directional valve, Series 581, size 3, Basic valve for CNOMO pilot valve

Flow: 4800 l/min
 Activation: Electrically
 Control pressure min./max.: 3 bar ... 16 bar
 Duty cycle: 100 %
 Type: Spool valve
 Ambient temperature min./max.: -20 °C ... 70 °C
 Medium temperature min./max.: -20 °C ... 70 °C
 Working pressure min./max.: -0.95 bar ... 16 bar



	Switching principle	Pilot	Part No.
	5/2, with spring return	External, Internal	5813180100

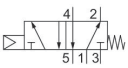
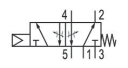
Dimensions



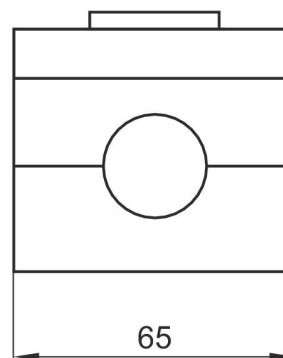
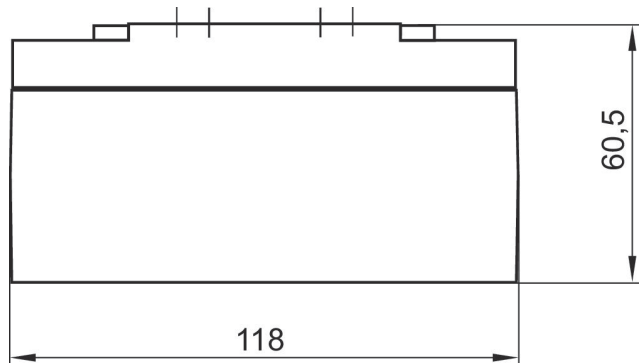
5/2-directional valve, Series 581, size 2, Basic valve for CNOMO pilot valve

Flow: 4800 l/min
 Activation: Electrically
 Control pressure min./max.: 3 bar ... 16 bar
 Duty cycle: 100 %
 Type: Spool valve
 Ambient temperature min./max.: -20 °C ... 70 °C
 Medium temperature min./max.: -20 °C ... 70 °C
 Working pressure min./max.: -0.95 bar ... 16 bar



	Switching principle	Pilot	Throttle	Part No.
	5/2, with spring return	External, Internal		5813180000
	5/2, with spring return	External, Internal	with throttle	5813181000


Dimensions



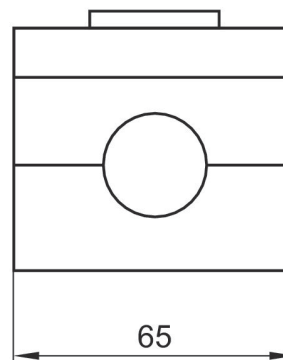
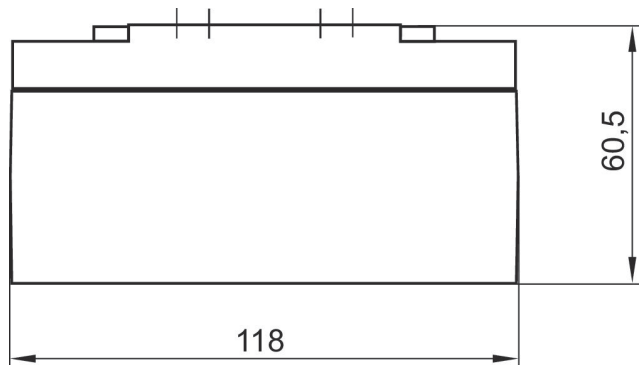
5/2-directional valve, Series 581, size 3, Basic valve for CNOMO pilot valve

Flow: 4800 l/min
 Activation: Electrically
 Control pressure min./max.: 1.5 bar ... 16 bar
 Duty cycle: 100 %
 Type: Spool valve
 Ambient temperature min./max.: -20 °C ... 70 °C
 Medium temperature min./max.: -20 °C ... 70 °C
 Working pressure min./max.: -0.95 bar ... 16 bar



	Switching principle	Pilot	Part No.
	5/2, double solenoid	External, Internal	5813280100

Dimensions



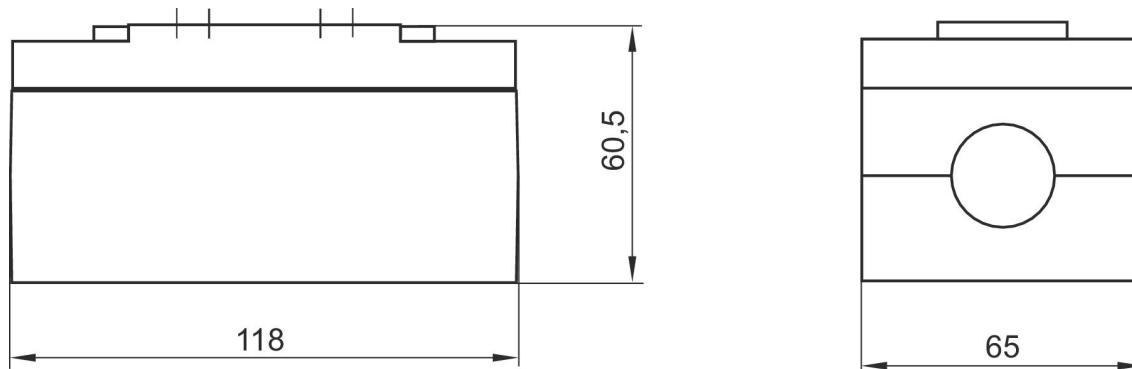
5/2-directional valve, Series 581, size 3, Basic valve for CNOMO pilot valve

Flow: 4800 l/min
 Activation: Electrically
 Control pressure min./max.: 1.5 bar ... 16 bar
 Duty cycle: 100 %
 Type: Spool valve
 Ambient temperature min./max.: -20 °C ... 70 °C
 Medium temperature min./max.: -20 °C ... 70 °C
 Working pressure min./max.: -0.95 bar ... 16 bar



	Switching principle	Pilot	Throttle	Part No.
	5/2, double solenoid	External, Internal		5813280000
	5/2, double solenoid	External, Internal	with throttle	5813281000

Dimensions



5/2-directional valve, Series 581, size 3, with differential piston

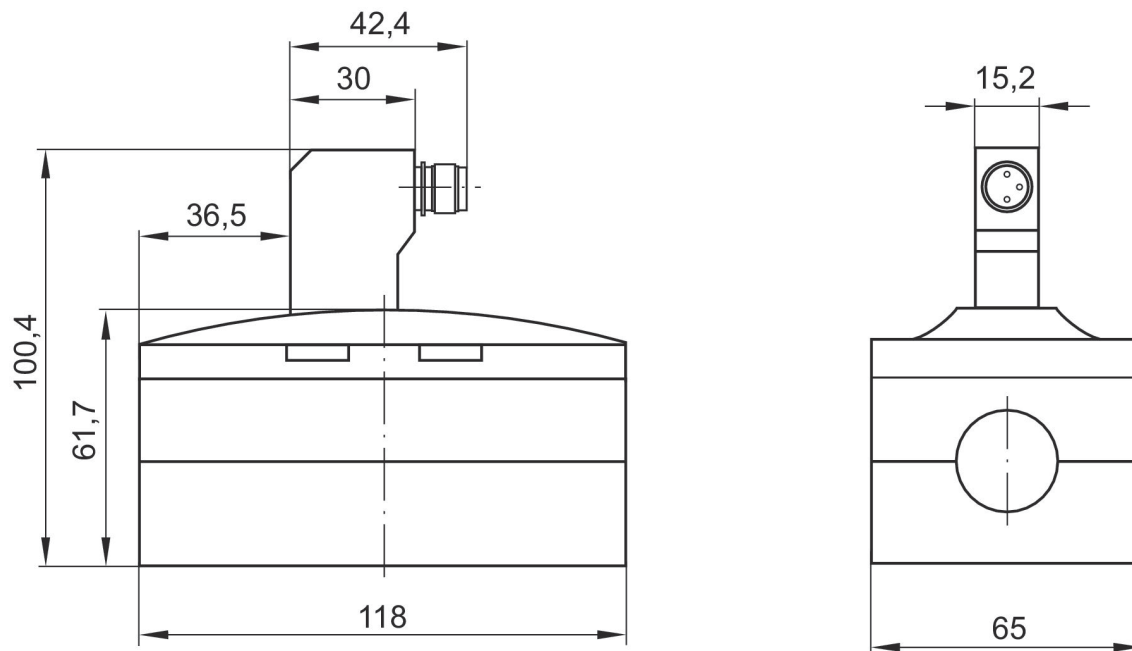
Flow: 4800 l/min
 Activation: Electrically
 Control pressure min./max.: 2.3 bar ... 10 bar
 Duty cycle: 100 %
 Type: Spool valve
 Ambient temperature min./max.: -10 °C ... 60 °C
 Medium temperature min./max.: -10 °C ... 60 °C
 Working pressure min./max.: 10 bar



	Switching principle	Operational voltage	Voltage tolerance DC	Power consumption DC [W]	Switch-on time [ms]	Switch-off time [ms]	Pilot	Part No.
	5/2, with air spring return	24 V DC	-10 % / +10 %	0.35	22	54	Internal	5813610720
	5/2, with air spring return	24 V DC	-10 % / +10 %	0.35	22	54	Internal	5813611720
	5/2, with air spring return	24 V DC	-10 % / +10 %	0.35	22	54	Internal	5813610710
	5/2, with air spring return	24 V DC	-10 % / +10 %	0.35	22	54	Internal	5813611710
	5/2, with air spring return	24 V DC	-10 % / +10 %	0.35	22	54	External	5813612720
	5/2, with air spring return	24 V DC	-10 % / +10 %	0.35	22	54	External	5813613720
	5/2, with air spring return	24 V DC	-10 % / +10 %	0.35	22	54	External	5813612710
	5/2, with air spring return	24 V DC	-10 % / +10 %	0.35	22	54	External	5813613710

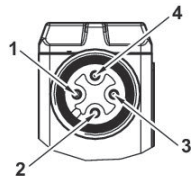
Throttle	Manual override	Part No.
	without detent	5813610720
with throttle	without detent	5813611720
	with detent	5813610710
with throttle	with detent	5813611710
	without detent	5813612720
with throttle	without detent	5813613720
	with detent	5813612710
with throttle	with detent	5813613710

Dimensions



5813610720, 5813611720, 5813610710, 5813611710, 5813612720, 5813613720, 5813612710, 5813613710

Pin assignments



- 1) not assigned
- 2) Coil 12
- 3) 0 V DC
- 4) Coil 14

5/2-directional valve, Series 581, size 3

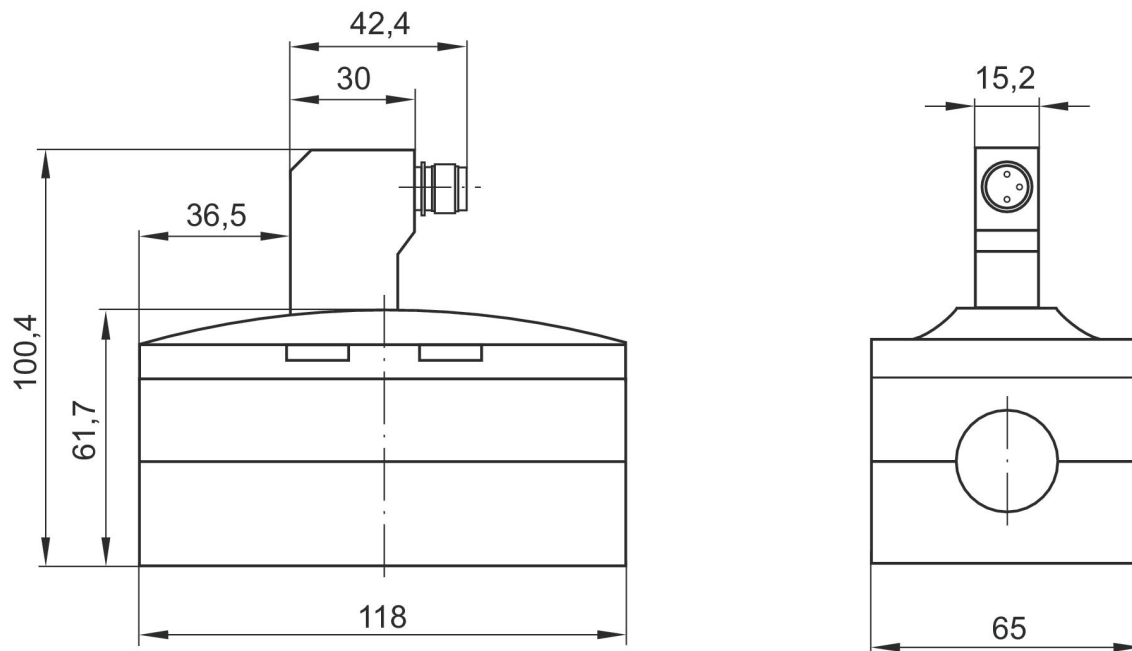
Flow: 4800 l/min
 Activation: Electrically
 Control pressure min./max.: 2.8 bar ... 10 bar
 Duty cycle: 100 %
 Type: Spool valve
 Ambient temperature min./max.: -10 °C ... 60 °C
 Medium temperature min./max.: -10 °C ... 60 °C
 Working pressure min./max.: 10 bar



	Switching principle	Operational voltage	Voltage tolerance DC	Power consumption DC [W]	Switch-on time [ms]	Switch-off time [ms]	Pilot	Part No.
	5/2, with spring return	24 V DC	-10 % / +10 %	0.35	22	54	Internal	5813110720
	5/2, with spring return	24 V DC	-10 % / +10 %	0.35	22	54	Internal	5813111720
	5/2, with spring return	24 V DC	-10 % / +10 %	0.35	22	54	Internal	5813110710
	5/2, with spring return	24 V DC	-10 % / +10 %	0.35	22	54	Internal	5813111710
	5/2, with spring return	24 V DC	-10 % / +10 %	0.35	22	54	External	5813112720
	5/2, with spring return	24 V DC	-10 % / +10 %	0.35	22	54	External	5813112710
	5/2, with spring return	24 V DC	-10 % / +10 %	0.35	22	54	External	5813113710

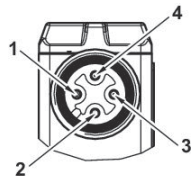
Throttle	Manual override	Part No.
	with detent	5813110720
with throttle	with detent	5813111720
	without detent	5813110710
with throttle	without detent	5813111710
	with detent	5813112720
	without detent	5813112710
with throttle	without detent	5813113710

Dimensions



5813110720, 5813111720, 5813110710, 5813111710, 5813112720, 5813112710, 5813113710

Pin assignments



- 1) not assigned
- 2) Coil 12
- 3) 0 V DC
- 4) Coil 14

5/2-directional valve, Series 581, size 3

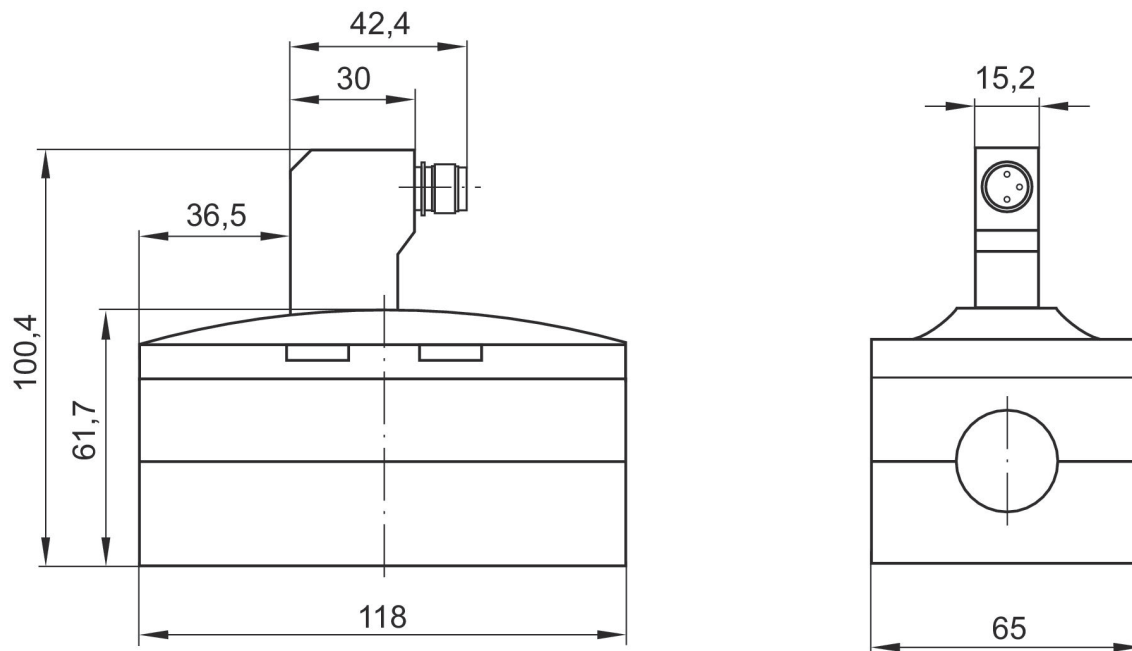
Flow: 4800 l/min
 Activation: Electrically
 Control pressure min./max.: 1.7 bar ... 10 bar
 Duty cycle: 100 %
 Type: Spool valve
 Ambient temperature min./max.: -10 °C ... 60 °C
 Medium temperature min./max.: -10 °C ... 60 °C
 Working pressure min./max.: 10 bar



	Switching principle	Operational voltage	Voltage tolerance DC	Power consumption DC [W]	Switch-on time [ms]	Switch-off time [ms]	Pilot	Part No.
	5/2, double solenoid	24 V DC	-10 % / +10 %	0.35	16	16	Internal	5813220720
	5/2, double solenoid	24 V DC	-10 % / +10 %	0.35	16	16	Internal	5813221720
	5/2, double solenoid	24 V DC	-10 % / +10 %	0.35	16	16	Internal	5813220710
	5/2, double solenoid	24 V DC	-10 % / +10 %	0.35	16	16	Internal	5813221710
	5/2, double solenoid	24 V DC	-10 % / +10 %	0.35	16	16	External	5813222720
	5/2, double solenoid	24 V DC	-10 % / +10 %	0.35	16	16	External	5813223720
	5/2, double solenoid	24 V DC	-10 % / +10 %	0.35	16	16	External	5813222710
	5/2, double solenoid	24 V DC	-10 % / +10 %	0.35	16	16	External	5813223710

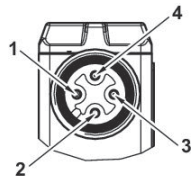
Throttle	Manual override	Part No.
	without detent	5813220720
with throttle	without detent	5813221720
	with detent	5813220710
with throttle	with detent	5813221710
	without detent	5813222720
with throttle	without detent	5813223720
	with detent	5813222710
with throttle	with detent	5813223710

Dimensions



5813220720, 5813221720, 5813220710, 5813221710, 5813222720, 5813223720, 5813222710, 5813223710

Pin assignments



- 1) not assigned
- 2) Coil 12
- 3) 0 V DC
- 4) Coil 14

5/2-directional valve, Series 581, size 3, with differential piston

Flow: 4800 l/min
 Activation: Electrically
 Control pressure min./max.: 1.5 bar ... 10 bar
 Duty cycle: 100 %
 Type: Spool valve
 Ambient temperature min./max.: -15 °C ... 50 °C
 Medium temperature min./max.: -15 °C ... 50 °C
 Working pressure min./max.: 10 bar



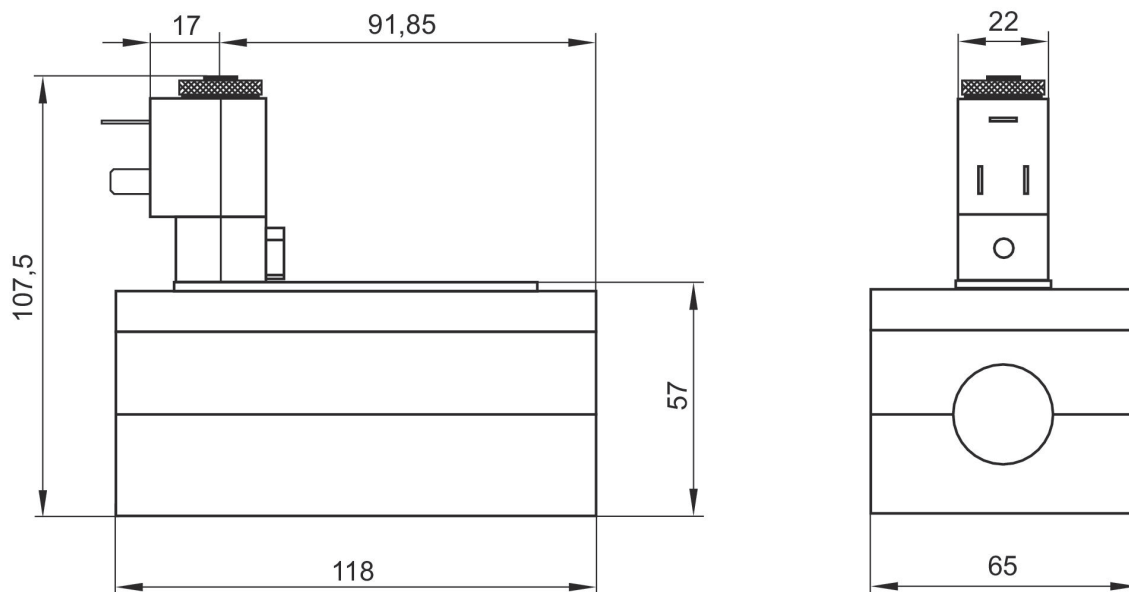
	Switching principle	Operational voltage	Voltage tolerance DC	Power consumption DC [W]	Switch-on time [ms]	Switch-off time [ms]	Pilot	Part No.
	5/2, with air spring return	12 V DC	-10 % / +10 %	5	14	36	Internal	5813610500
	5/2, with air spring return	24 V AC			14	36	Internal	5813610200
	5/2, with air spring return	24 V DC	-10 % / +10 %	5	14	36	Internal	5813610100
	5/2, with air spring return	48 V DC	-10 % / +10 %	5	14	36	Internal	5813610600
	5/2, with air spring return	110 V AC			14	36	Internal	5813610300
	5/2, with air spring return	230 V AC			14	36	Internal	5813610400
	5/2, with air spring return				14	36	Internal	5813610000
	5/2, with air spring return	12 V DC	-10 % / +10 %	5	14	36	Internal	5813611500
	5/2, with air spring return	24 V AC			14	36	Internal	5813611200
	5/2, with air spring return	24 V DC	-10 % / +10 %	5	14	36	Internal	5813611100
	5/2, with air spring return	48 V DC	-10 % / +10 %	5	14	36	Internal	5813611600
	5/2, with air spring return	110 V AC			14	36	Internal	5813611300
	5/2, with air spring return	230 V AC			14	36	Internal	5813611400
	5/2, with air spring return				14	36	Internal	5813611000
	5/2, with air spring return	12 V DC	-10 % / +10 %	5	14	36	External	5813612500
	5/2, with air spring return	24 V AC			14	36	External	5813612200

	Switching principle	Operational voltage	Voltage tolerance DC	Power consumption DC [W]	Switch-on time [ms]	Switch-off time [ms]	Pilot	Part No.
	5/2, with air spring return	24 V DC	-10 % / +10 %	5	14	36	External	5813612100
	5/2, with air spring return	48 V DC	-10 % / +10 %	5	14	36	External	5813612600
	5/2, with air spring return	110 V AC			14	36	External	5813612300
	5/2, with air spring return	230 V AC			14	36	External	5813612400
	5/2, with air spring return				14	36	External	5813612000
	5/2, with air spring return	12 V DC	-10 % / +10 %	5	14	36	External	5813613500
	5/2, with air spring return	24 V AC			14	36	External	5813613200
	5/2, with air spring return	24 V DC	-10 % / +10 %	5	14	36	External	5813613100
	5/2, with air spring return	110 V AC			14	36	External	5813613300
	5/2, with air spring return	230 V AC			14	36	External	5813613400
	5/2, with air spring return				14	36	External	5813613000

Throttle	Manual override	Part No.
	with detent	5813610500
	with detent	5813610200
	with detent	5813610100
	with detent	5813610600
	with detent	5813610300
	with detent	5813610400
	with detent	5813610000
with throttle	with detent	5813611500
with throttle	with detent	5813611200
with throttle	with detent	5813611100
with throttle	with detent	5813611600
with throttle	with detent	5813611300
with throttle	with detent	5813611400
with throttle	with detent	5813611000
	with detent	5813612500
	with detent	5813612200
	with detent	5813612100
	with detent	5813612600

Throttle	Manual override	Part No.
	with detent	5813612300
	with detent	5813612400
	with detent	5813612000
with throttle	with detent	5813613500
with throttle	with detent	5813613200
with throttle	with detent	5813613100
with throttle	with detent	5813613300
with throttle	with detent	5813613400
with throttle	with detent	5813613000

Dimensions



The pilot valves can be loosened and turned through 180°.

5/2-directional valve, Series 581, size 3

Flow: 4800 l/min
 Activation: Electrically
 Control pressure min./max.: 3 bar ... 10 bar
 Duty cycle: 100 %
 Type: Spool valve
 Ambient temperature min./max.: -15 °C ... 50 °C
 Medium temperature min./max.: -15 °C ... 50 °C
 Working pressure min./max.: 10 bar



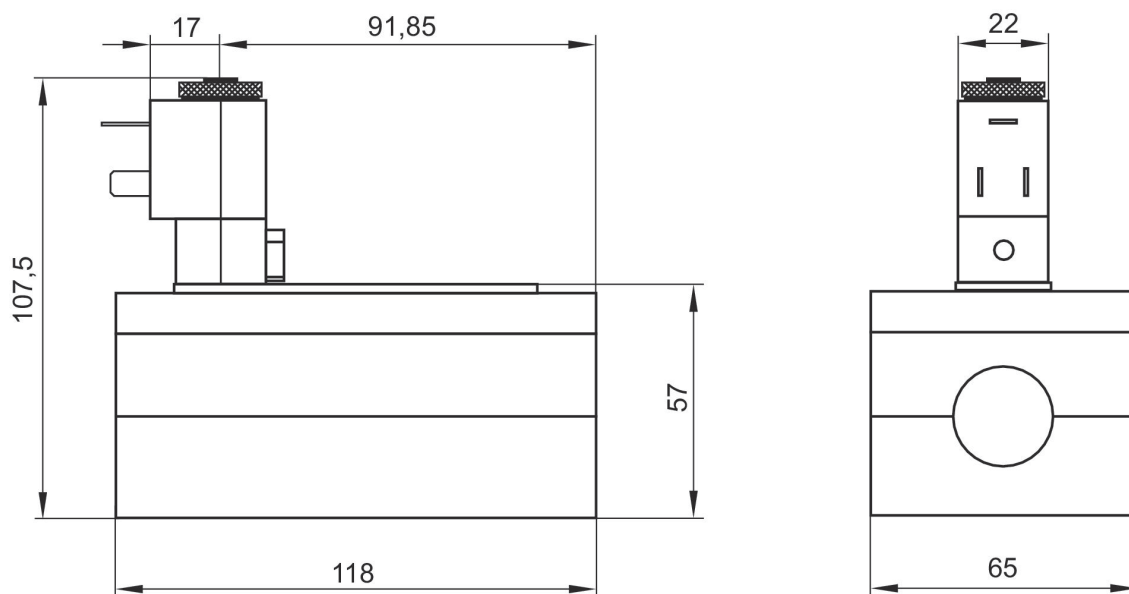
	Switching principle	Operational voltage	Voltage tolerance DC	Power consumption DC [W]	Switch-on time [ms]	Switch-off time [ms]	Pilot	Part No.
	5/2, with spring return	12 V DC	-10 % / +10 %	5	19	71	Internal	5813110500
	5/2, with spring return	24 V AC			19	71	Internal	5813110200
	5/2, with spring return	24 V DC	-10 % / +10 %	5	19	71	Internal	5813110100
	5/2, with spring return	48 V DC	-10 % / +10 %	5	19	71	Internal	5813110600
	5/2, with spring return	110 V AC			19	71	Internal	5813110300
	5/2, with spring return	230 V AC			19	71	Internal	5813110400
	5/2, with spring return				19	71	Internal	5813110000
	5/2, with spring return	12 V DC	-10 % / +10 %	5	19	71	Internal	5813111500
	5/2, with spring return	24 V AC			19	71	Internal	5813111200
	5/2, with spring return	24 V DC	-10 % / +10 %	5	19	71	Internal	5813111100
	5/2, with spring return	48 V DC	-10 % / +10 %	5	19	71	Internal	5813111600
	5/2, with spring return	110 V AC			19	71	Internal	5813111300
	5/2, with spring return	230 V AC			19	71	Internal	5813111400
	5/2, with spring return				19	71	Internal	5813111000
	5/2, with spring return	12 V DC	-10 % / +10 %	5	19	71	External	5813112500

	Switching principle	Operational voltage	Voltage tolerance DC	Power consumption DC [W]	Switch-on time [ms]	Switch-off time [ms]	Pilot	Part No.
	5/2, with spring return	24 V AC			19	71	External	5813112200
	5/2, with spring return	24 V DC	-10 % / +10 %	5	19	71	External	5813112100
	5/2, with spring return	48 V DC	-10 % / +10 %	5	19	71	External	5813112600
	5/2, with spring return	110 V AC			19	71	External	5813112300
	5/2, with spring return	230 V AC			19	71	External	5813112400
	5/2, with spring return				19	71	External	5813112000
	5/2, with spring return	12 V DC	-10 % / +10 %	5	19	71	External	5813113500
	5/2, with spring return	24 V AC			19	71	External	5813113200
	5/2, with spring return	24 V DC	-10 % / +10 %	5	19	71	External	5813113100
	5/2, with spring return	48 V DC	-10 % / +10 %	5	19	71	External	5813113600
	5/2, with spring return	110 V AC			19	71	External	5813113300
	5/2, with spring return	230 V AC			19	71	External	5813113400
	5/2, with spring return				19	71	External	5813113000

Throttle	Manual override	Part No.
	with detent	5813110500
	with detent	5813110200
	with detent	5813110100
	with detent	5813110600
	with detent	5813110300
	with detent	5813110400
	with detent	5813110000
with throttle	with detent	5813111500
with throttle	with detent	5813111200
with throttle	with detent	5813111100
with throttle	with detent	5813111600
with throttle	with detent	5813111300
with throttle	with detent	5813111400

Throttle	Manual override	Part No.
with throttle	with detent	5813111000
	with detent	5813112500
	with detent	5813112200
	with detent	5813112100
	with detent	5813112600
	with detent	5813112300
	with detent	5813112400
	with detent	5813112000
with throttle	with detent	5813113500
with throttle	with detent	5813113200
with throttle	with detent	5813113100
with throttle	with detent	5813113600
with throttle	with detent	5813113300
with throttle	with detent	5813113400
with throttle	with detent	5813113000

Dimensions



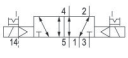
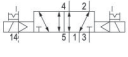
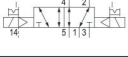
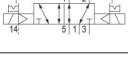
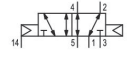
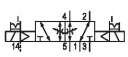
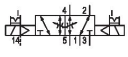
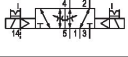
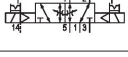

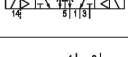
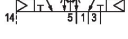
The pilot valves can be loosened and turned through 180°.

5/2-directional valve, Series 581, size 3

Flow: 4800 l/min
 Activation: Electrically
 Control pressure min./max.: 1.5 bar ... 10 bar
 Duty cycle: 100 %
 Type: Spool valve
 Ambient temperature min./max.: -15 °C ... 50 °C
 Medium temperature min./max.: -15 °C ... 50 °C
 Working pressure min./max.: 10 bar



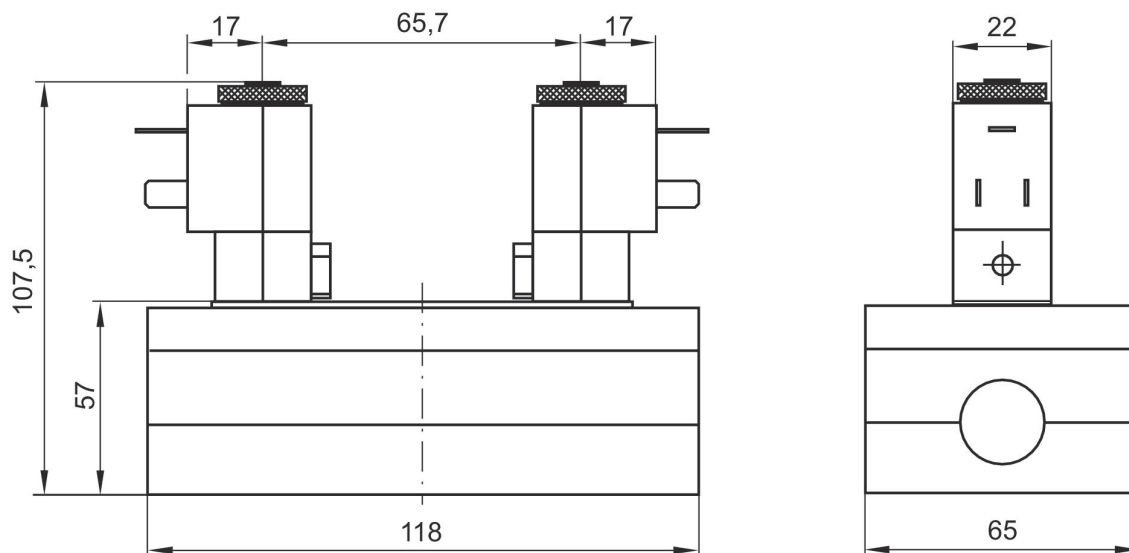
	Switching principle	Operational voltage	Voltage tolerance DC	Power consumption DC [W]	Switch-on time [ms]	Switch-off time [ms]	Pilot	Part No.
	5/2, double solenoid	12 V DC	-10 % / +10 %	5	14	14	Internal	5813220500
	5/2, double solenoid	24 V AC			14	14	Internal	5813220200
	5/2, double solenoid	24 V DC	-10 % / +10 %	5	14	14	Internal	5813220100
	5/2, double solenoid	48 V DC	-10 % / +10 %	5	14	14	Internal	5813220600
	5/2, double solenoid	110 V AC			14	14	Internal	5813220300
	5/2, double solenoid	230 V AC			14	14	Internal	5813220400
	5/2, double solenoid	12 V DC	-10 % / +10 %	5	14	14	Internal	5813220000
	5/2, double solenoid	24 V AC			14	14	Internal	5813221500
	5/2, double solenoid	24 V DC	-10 % / +10 %	5	14	14	Internal	5813221200
	5/2, double solenoid	24 V DC	-10 % / +10 %	5	14	14	Internal	5813221100
	5/2, double solenoid	48 V DC	-10 % / +10 %	5	14	14	Internal	5813221600
	5/2, double solenoid	110 V AC			14	14	Internal	5813221300
	5/2, double solenoid	230 V AC			14	14	Internal	5813221400
	5/2, double solenoid	12 V DC	-10 % / +10 %	5	14	14	Internal	5813221000
	5/2, double solenoid	12 V DC	-10 % / +10 %	5	14	14	External	5813222500
	5/2, double solenoid	24 V AC			14	14	External	5813222200

	Switching principle	Operational voltage	Voltage tolerance DC	Power consumption DC [W]	Switch-on time [ms]	Switch-off time [ms]	Pilot	Part No.
	5/2, double solenoid	24 V DC	-10 % / +10 %	5	14	14	External	5813222100
	5/2, double solenoid	48 V DC	-10 % / +10 %	5	14	14	External	5813222600
	5/2, double solenoid	110 V AC			14	14	External	5813222300
	5/2, double solenoid	230 V AC			14	14	External	5813222400
	5/2, double solenoid				14	14	External	5813222000
	5/2, double solenoid	12 V DC	-10 % / +10 %	5	14	14	External	5813223500
	5/2, double solenoid	24 V AC			14	14	External	5813223200
	5/2, double solenoid	24 V DC	-10 % / +10 %	5	14	14	External	5813223100
	5/2, double solenoid	48 V DC	-10 % / +10 %	5	14	14	External	5813223600
	5/2, double solenoid	110 V AC			14	14	External	5813223300
	5/2, double solenoid	230 V AC			14	14	External	5813223400
	5/2, double solenoid				14	14	External	5813223000

Throttle	Manual override	Part No.
	with detent	5813220500
	with detent	5813220200
	with detent	5813220100
	with detent	5813220600
	with detent	5813220300
	with detent	5813220400
	with detent	5813220000
with throttle	with detent	5813221500
with throttle	with detent	5813221200
with throttle	with detent	5813221100
with throttle	with detent	5813221600
with throttle	with detent	5813221300
with throttle	with detent	5813221400
with throttle	with detent	5813221000
	with detent	5813222500
	with detent	5813222200

Throttle	Manual override	Part No.
	with detent	5813222100
	with detent	5813222600
	with detent	5813222300
	with detent	5813222400
	with detent	5813222000
with throttle	with detent	5813223500
with throttle	with detent	5813223200
with throttle	with detent	5813223100
with throttle	with detent	5813223600
with throttle	with detent	5813223300
with throttle	with detent	5813223400
with throttle	with detent	5813223000

Dimensions



The pilot valves can be loosened and turned through 180°.

5/2-directional valve, Series 581, size 3, with differential piston

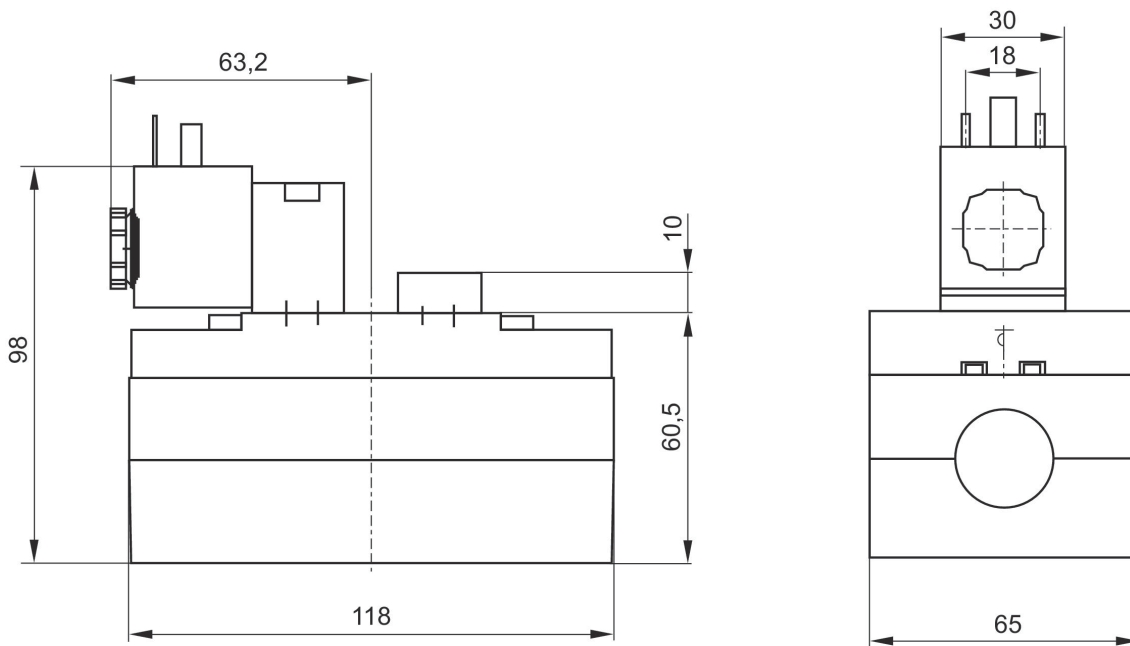
Flow: 4800 l/min
 Activation: Electrically
 Control pressure min./max.: 1.5 bar ... 10 bar
 Duty cycle: 100 %
 Type: Spool valve
 Ambient temperature min./max.: -15 °C ... 50 °C
 Medium temperature min./max.: -15 °C ... 50 °C
 Working pressure min./max.: 10 bar



	Switching principle	Operational voltage	Voltage tolerance DC	Power consumption DC [W]	Switch-on time [ms]	Switch-off time [ms]	Pilot	Part No.
	5/2, with air spring return	24 V DC	-10 % / +10 %	2	24	66	Internal	5813670650
	5/2, with air spring return	230 V AC			24	66	Internal	5813670450
	5/2, with air spring return	24 V DC	-10 % / +10 %	2	24	66	Internal	5813671650
	5/2, with air spring return	230 V AC			24	66	Internal	5813671450
	5/2, with air spring return	24 V DC	-10 % / +10 %	2	24	66	External	5813672650
	5/2, with air spring return	230 V AC			24	66	External	5813672450
	5/2, with air spring return	24 V DC	-10 % / +10 %	2	24	66	External	5813673650
	5/2, with air spring return	230 V AC			24	66	External	5813673450

Throttle	Manual override	Compatibility index	Part No.
	with detent, without detent	14	5813670650
	with detent, without detent	14	5813670450
with throttle	with detent, without detent	14	5813671650
with throttle	with detent, without detent	14	5813671450
	with detent, without detent	14	5813672650
	with detent, without detent	14	5813672450
with throttle	with detent, without detent	14	5813673650
with throttle	with detent, without detent	14	5813673450

Dimensions



5/2-directional valve, Series 581, size 3, with differential piston

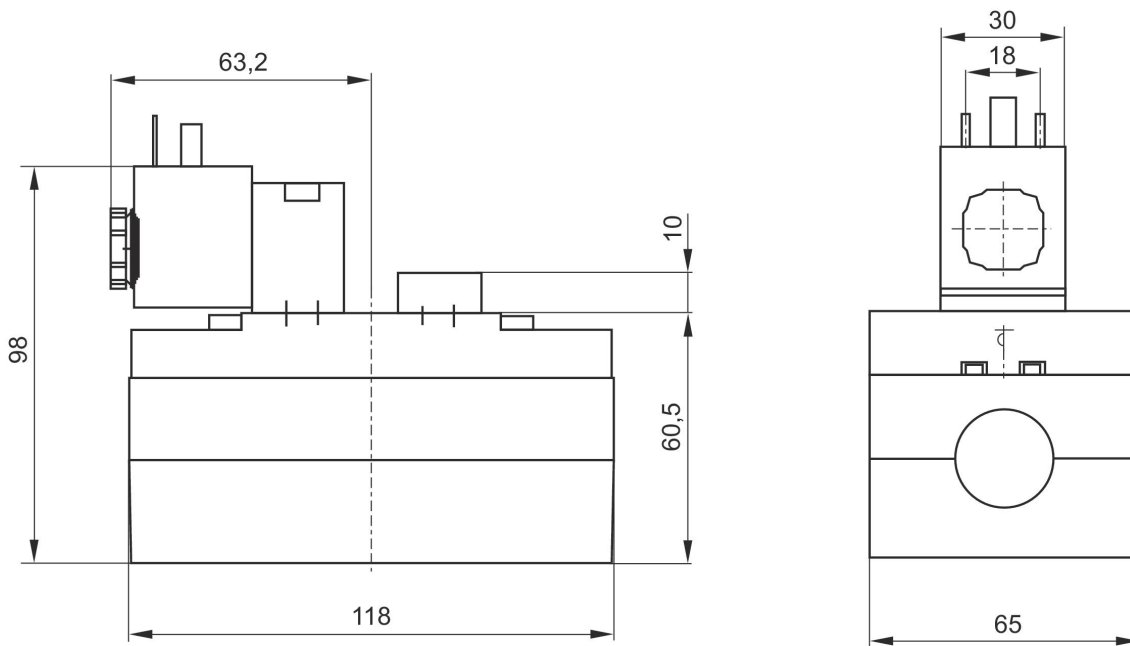
Flow: 4800 l/min
 Activation: Electrically
 Control pressure min./max.: 1.5 bar ... 16 bar
 Duty cycle: 100 %
 Type: Spool valve
 Ambient temperature min./max.: -15 °C ... 50 °C
 Medium temperature min./max.: -15 °C ... 50 °C
 Working pressure min./max.: 16 bar



	Switching principle	Operational voltage	Voltage tolerance DC	Power consumption DC [W]	Switch-on time [ms]	Switch-off time [ms]	Pilot	Part No.
	5/2, with air spring return	24 V DC	-10 % / +10 %	6.7	24	66	Internal	5813670530
	5/2, with air spring return	230 V AC			24	66	Internal	5813670430
	5/2, with air spring return	24 V DC	-10 % / +10 %	6.7	24	66	Internal	5813671530
	5/2, with air spring return	230 V AC			24	66	Internal	5813671430
	5/2, with air spring return	24 V DC	-10 % / +10 %	6.7	24	66	External	5813672530
	5/2, with air spring return	230 V AC			24	66	External	5813672430
	5/2, with air spring return	24 V DC	-10 % / +10 %	6.7	24	66	External	5813673530
	5/2, with air spring return	230 V AC			24	66	External	5813673430

Throttle	Manual override	Part No.
	without	5813670530
	without	5813670430
with throttle	without	5813671530
with throttle	without	5813671430
	without	5813672530
	without	5813672430
with throttle	without	5813673530
with throttle	without	5813673430

Dimensions



5/2-directional valve, Series 581, size 3

Flow: 4800 l/min
 Activation: Electrically
 Control pressure min./max.: 3 bar ... 10 bar
 Duty cycle: 100 %
 Type: Spool valve
 Ambient temperature min./max.: -15 °C ... 50 °C
 Medium temperature min./max.: -15 °C ... 50 °C
 Working pressure min./max.: 10 bar

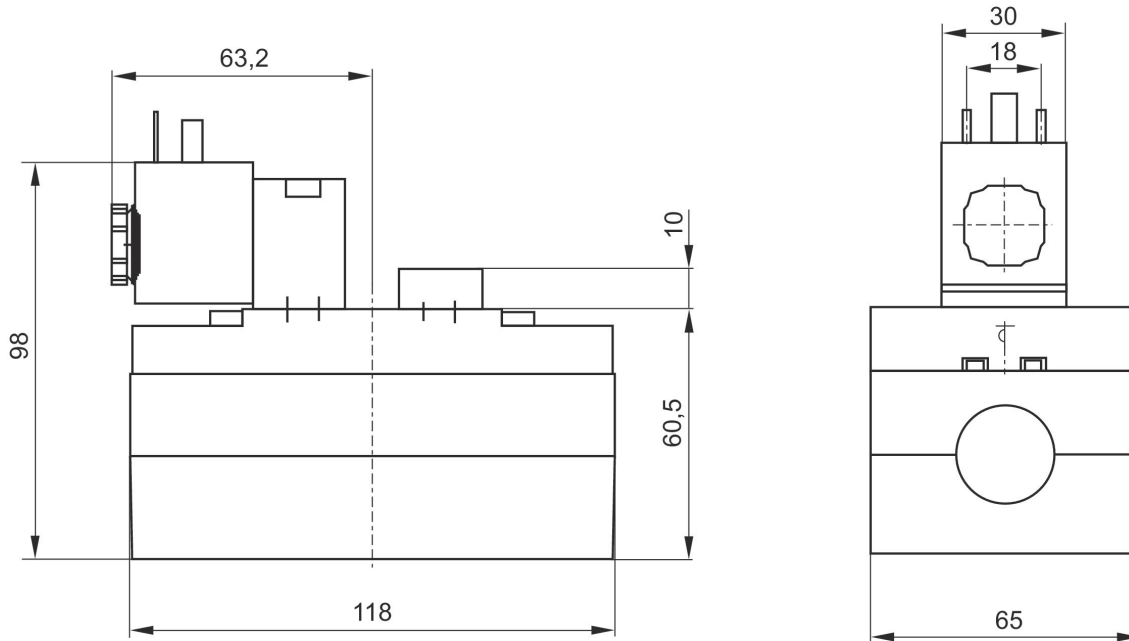


	Switching principle	Operational voltage	Voltage tolerance DC	Power consumption DC [W]	Switch-on time [ms]	Switch-off time [ms]	Pilot	Part No.
	5/2, with spring return	24 V DC	-10 % / +10 %	2	24	66	Internal	5813170650
	5/2, with spring return	230 V AC			24	66	Internal	5813170450
	5/2, with spring return	24 V DC	-10 % / +10 %	2	24	66	Internal	5813171650
	5/2, with spring return	230 V AC			24	66	Internal	5813171450
	5/2, with spring return	24 V DC	-10 % / +10 %	2	24	66	External	5813172650
	5/2, with spring return	230 V AC			24	66	External	5813172450
	5/2, with spring return	24 V DC	-10 % / +10 %	2	24	66	External	5813173650
	5/2, with spring return	230 V AC			24	66	External	5813173450

Throttle	Manual override	Compatibility index	Part No.
	with detent, without detent	14	5813170650
	with detent, without detent	14	5813170450
with throttle	with detent, without detent	14	5813171650
with throttle	with detent, without detent	14	5813171450
	with detent, without detent	14	5813172650
	with detent, without detent	14	5813172450
with throttle	with detent, without detent	14	5813173650

Throttle	Manual override	Compatibility index	Part No.
with throttle	with detent, without detent	14	5813173450

Dimensions



5/2-directional valve, Series 581, size 3

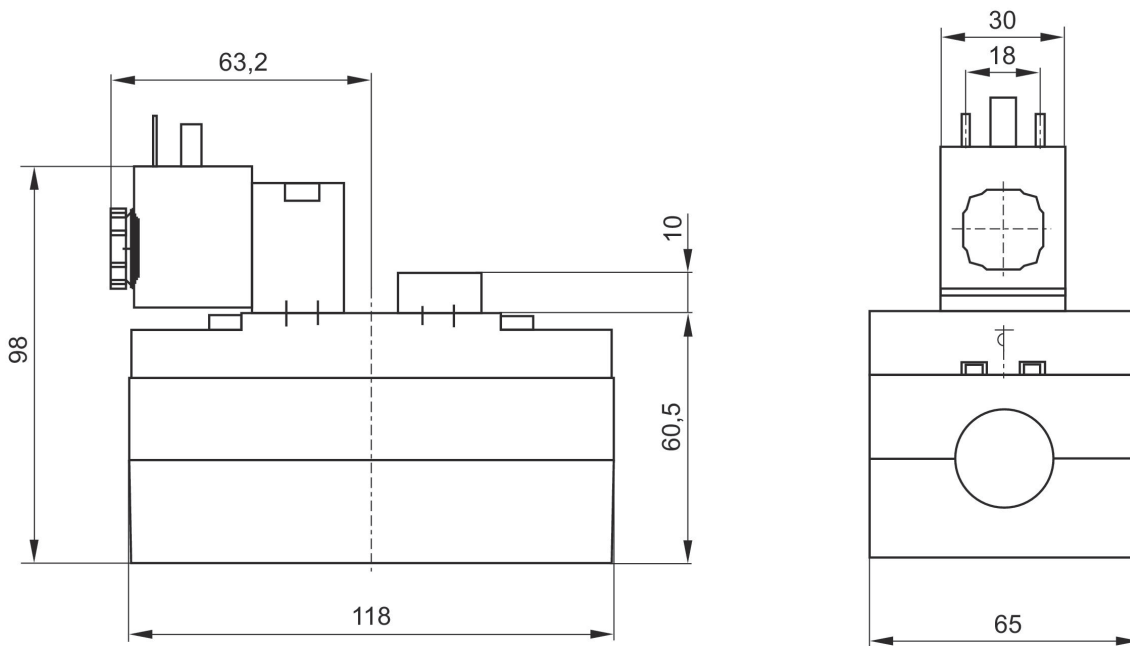
Flow: 4800 l/min
 Activation: Electrically
 Control pressure min./max.: 3 bar ... 16 bar
 Duty cycle: 100 %
 Type: Spool valve
 Ambient temperature min./max.: -15 °C ... 50 °C
 Medium temperature min./max.: -15 °C ... 50 °C
 Working pressure min./max.: 16 bar



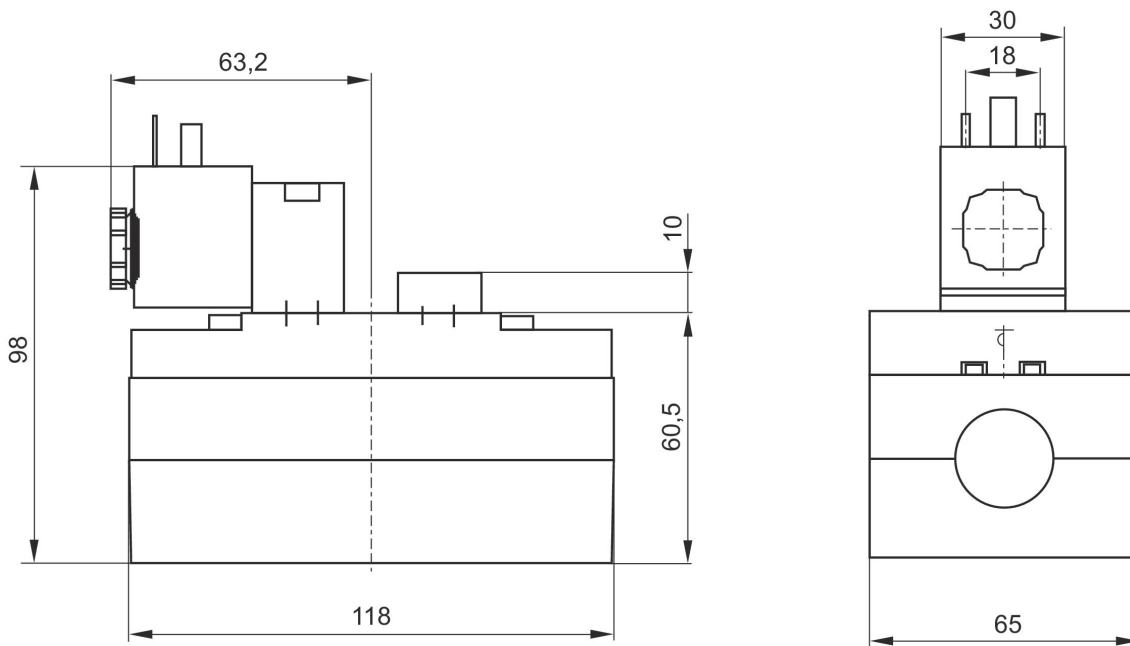
	Switching principle	Operational voltage	Voltage tolerance DC	Power consumption DC [W]	Switch-on time [ms]	Switch-off time [ms]	Pilot	Part No.
	5/2, with spring return	24 V DC	-10 % / +10 %	6.7	24	66	Internal	5813170530
	5/2, with spring return	230 V AC			24	66	Internal	5813170430
	5/2, with spring return	24 V DC	-10 % / +10 %	6.7	24	66	Internal	5813171530
	5/2, with spring return	230 V AC			24	66	Internal	5813171430
	5/2, with spring return	24 V DC	-10 % / +10 %	6.7	24	66	External	5813172530
	5/2, with spring return	230 V AC			24	66	External	5813172430
	5/2, with spring return	24 V DC	-10 % / +10 %	6.7	24	66	External	5813173530
	5/2, with spring return	230 V AC			24	66	External	5813173430

Throttle	Manual override	Part No.
	without	5813170530
	without	5813170430
with throttle	without	5813171530
with throttle	without	5813171430
	without	5813172530
	without	5813172430
with throttle	without	5813173530
with throttle	without	5813173430

Dimensions



Dimensions



5/2-directional valve, Series 581, size 3

Flow: 4800 l/min
 Activation: Electrically
 Control pressure min./max.: 1.5 bar ... 10 bar
 Duty cycle: 100 %
 Type: Spool valve
 Ambient temperature min./max.: -15 °C ... 50 °C
 Medium temperature min./max.: -15 °C ... 50 °C
 Working pressure min./max.: 10 bar

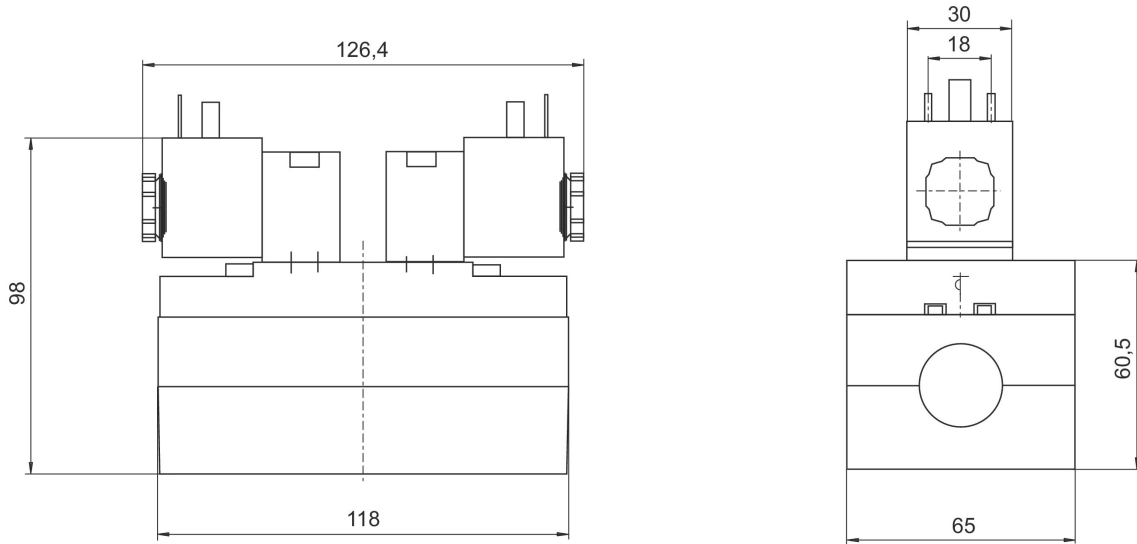


	Switching principle	Operational voltage	Voltage tolerance DC	Power consumption DC [W]	Switch-on time [ms]	Switch-off time [ms]	Pilot	Part No.
	5/2, double solenoid	24 V DC	-10 % / +10 %	2	18	18	Internal	5813290650
	5/2, double solenoid	230 V AC			18	18	Internal	5813290450
	5/2, double solenoid	24 V DC	-10 % / +10 %	2	18	18	Internal	5813291650
	5/2, double solenoid	230 V AC			18	18	Internal	5813291450
	5/2, double solenoid	24 V DC	-10 % / +10 %	2	18	18	External	5813292650
	5/2, double solenoid	230 V AC			18	18	External	5813292450
	5/2, double solenoid	24 V DC	-10 % / +10 %	2	18	18	External	5813293650
	5/2, double solenoid	230 V AC			18	18	External	5813293450

Throttle	Manual override	Compatibility index	Part No.
	with detent, without detent	14	5813290650
	with detent, without detent	14	5813290450
with throttle	with detent, without detent	14	5813291650
with throttle	with detent, without detent	14	5813291450
	with detent, without detent	14	5813292650
	with detent, without detent	14	5813292450
with throttle	with detent, without detent	14	5813293650

Throttle	Manual override	Compatibility index	Part No.
with throttle	with detent, without detent	14	5813293450

Dimensions



5/2-directional valve, Series 581, size 3

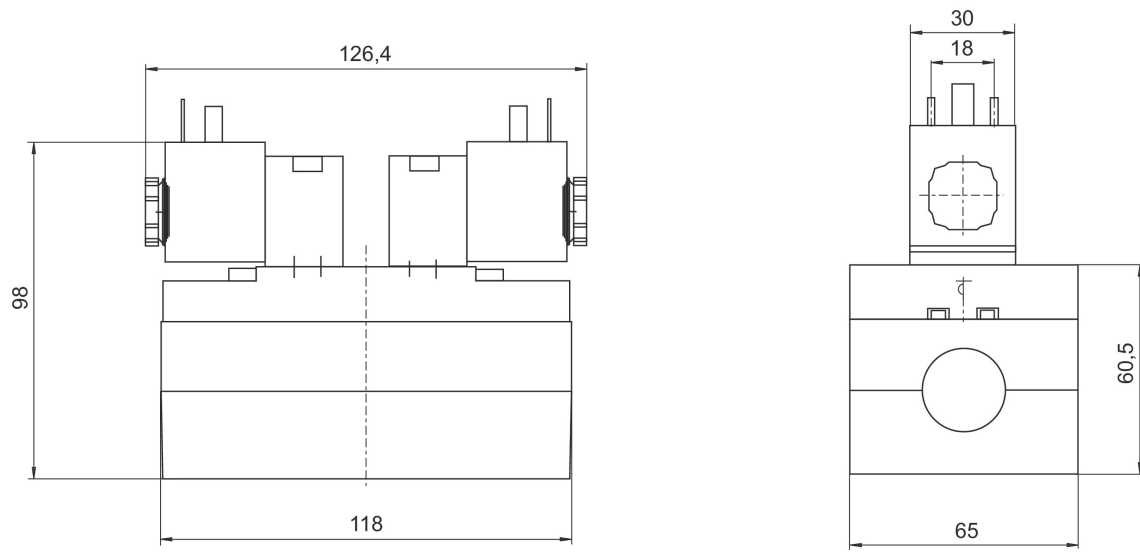
Flow: 4800 l/min
 Activation: Electrically
 Control pressure min./max.: 1.5 bar ... 16 bar
 Duty cycle: 100 %
 Type: Spool valve
 Ambient temperature min./max.: -15 °C ... 50 °C
 Medium temperature min./max.: -15 °C ... 50 °C
 Working pressure min./max.: 16 bar



	Switching principle	Operational voltage	Voltage tolerance DC	Power consumption DC [W]	Switch-on time [ms]	Switch-off time [ms]	Pilot	Part No.
	5/2, double solenoid	24 V DC	-10 % / +10 %	6.7	18	18	Internal	5813290530
	5/2, double solenoid	230 V AC			18	18	Internal	5813290430
	5/2, double solenoid	24 V DC	-10 % / +10 %	6.7	18	18	Internal	5813291530
	5/2, double solenoid	230 V AC			18	18	Internal	5813291430
	5/2, double solenoid	24 V DC	-10 % / +10 %	6.7	18	18	External	5813292530
	5/2, double solenoid	230 V AC			18	18	External	5813292430
	5/2, double solenoid	24 V DC	-10 % / +10 %	6.7	18	18	External	5813293530
	5/2, double solenoid	230 V AC			18	18	External	5813293430

Throttle	Manual override	Part No.
	without	5813290530
	without	5813290430
with throttle	without	5813291530
with throttle	without	5813291430
	without	5813292530
	without	5813292430
with throttle	without	5813293530
with throttle	without	5813293430

Dimensions



5/2-directional valve, Series 581, size 3

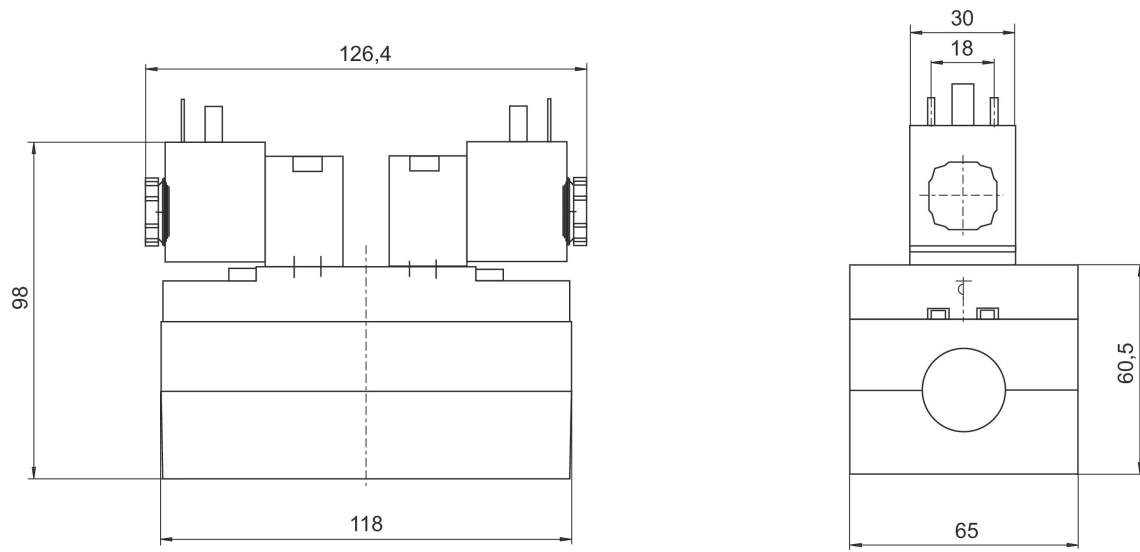
Flow: 4800 l/min
 Activation: Electrically
 Control pressure min./max.: 1.5 bar ... 16 bar
 Duty cycle: 100 %
 Type: Spool valve
 Ambient temperature min./max.: -15 °C ... 50 °C
 Medium temperature min./max.: -15 °C ... 50 °C
 Working pressure min./max.: 16 bar



	Switching principle	Operational voltage	Voltage tolerance DC	Power consumption DC [W]	Switch-on time [ms]	Switch-off time [ms]	Pilot	Part No.
	5/2, double solenoid	24 V DC / 42 V AC	-10 % / +10 %	6.7	18	18	Internal	5813290540
	5/2, double solenoid	230 V AC			18	18	Internal	5813290440
	5/2, double solenoid	24 V DC / 42 V AC	-10 % / +10 %	6.7	18	18	Internal	5813291540
	5/2, double solenoid	230 V AC			18	18	Internal	5813291440
	5/2, double solenoid	24 V DC / 42 V AC	-10 % / +10 %	6.7	18	18	External	5813292540
	5/2, double solenoid	230 V AC			18	18	External	5813292440
	5/2, double solenoid	24 V DC / 42 V AC	-10 % / +10 %	6.7	18	18	External	5813293540
	5/2, double solenoid	230 V AC			18	18	External	5813293440

Throttle	Manual override	Part No.
	without detent	5813290540
	without detent	5813290440
with throttle	without detent	5813291540
with throttle	without detent	5813291440
	without detent	5813292540
	without detent	5813292440
with throttle	without detent	5813293540
with throttle	without detent	5813293440

Dimensions



5/2-directional valve, Series 581, size 3, with differential piston

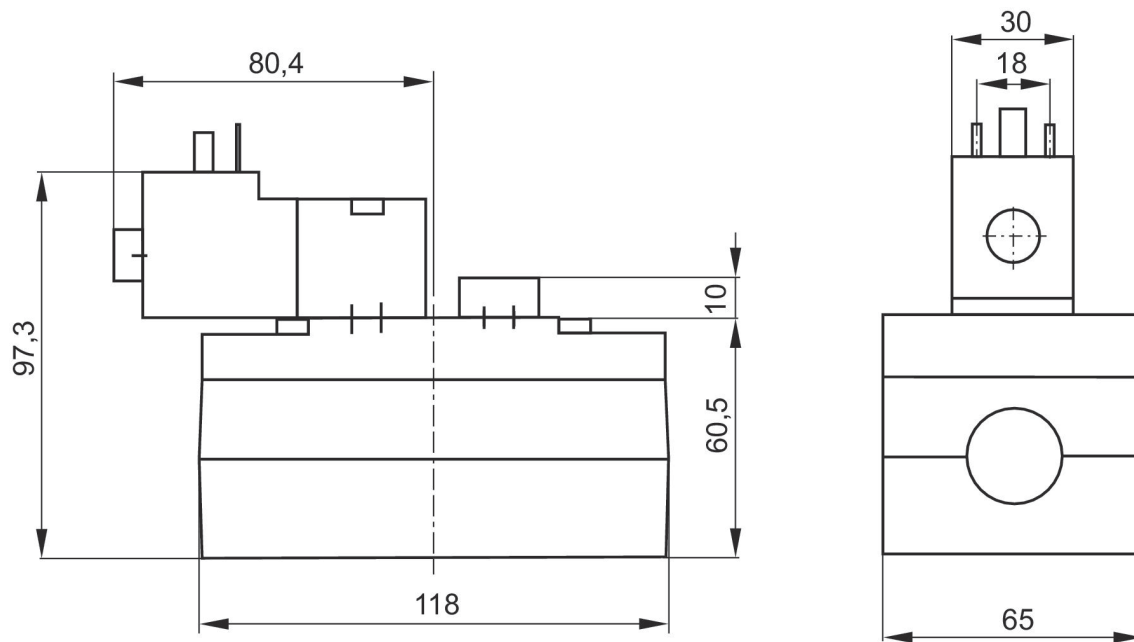
Flow: 4800 l/min
 Activation: Electrically
 Control pressure min./max.: 1.5 bar ... 10 bar
 Duty cycle: 100 %
 Type: Spool valve
 Ambient temperature min./max.: -15 °C ... 50 °C
 Medium temperature min./max.: -15 °C ... 50 °C
 Working pressure min./max.: 10 bar



	Switching principle	Operational voltage	Voltage tolerance DC	Power consumption DC [W]	Switch-on time [ms]	Switch-off time [ms]	Pilot	Part No.
	5/2, with air spring return	24 V DC	-10 % / +10 %	6	24	66	Internal	5813670190
	5/2, with air spring return	24 V DC	-10 % / +10 %	6	24	66	Internal	5813671190
	5/2, with air spring return	24 V DC	-10 % / +10 %	6	24	66	External	5813672190
	5/2, with air spring return	24 V DC	-10 % / +10 %	6	24	66	External	5813673190

Throttle	Manual override	Part No.
	without detent	5813670190
with throttle	without detent	5813671190
	without detent	5813672190
with throttle	without detent	5813673190

Dimensions



5/2-directional valve, Series 581, size 3

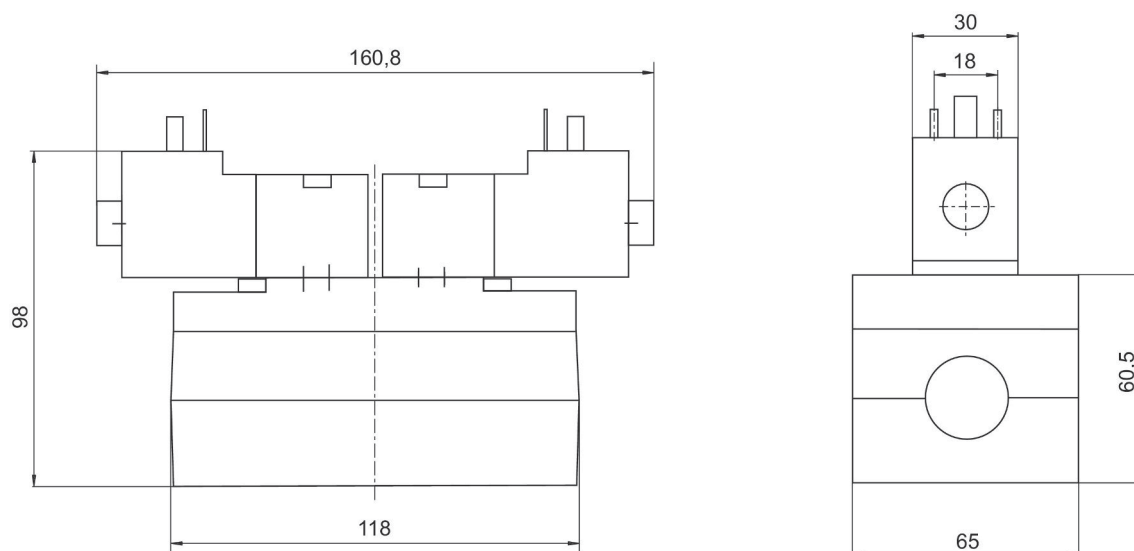
Flow: 4800 l/min
 Activation: Electrically
 Control pressure min./max.: 1.5 bar ... 10 bar
 Duty cycle: 100 %
 Type: Spool valve
 Ambient temperature min./max.: -15 °C ... 50 °C
 Medium temperature min./max.: -15 °C ... 50 °C
 Working pressure min./max.: 10 bar



	Switching principle	Operational voltage	Voltage tolerance DC	Power consumption DC [W]	Switch-on time [ms]	Switch-off time [ms]	Pilot	Part No.
	5/2, double solenoid	24 V DC	-10 % / +10 %	6	18	18	Internal	5813290190
	5/2, double solenoid	24 V DC	-10 % / +10 %	6	18	18	Internal	5813291190
	5/2, double solenoid	24 V DC	-10 % / +10 %	6	18	18	External	5813292190
	5/2, double solenoid	24 V DC	-10 % / +10 %	6	18	18	External	5813293190

Throttle	Manual override	Part No.
	without detent	5813290190
with throttle	without detent	5813291190
	without detent	5813292190
with throttle	without detent	5813293190

Dimensions



5/2-directional valve, Series 581, size 3

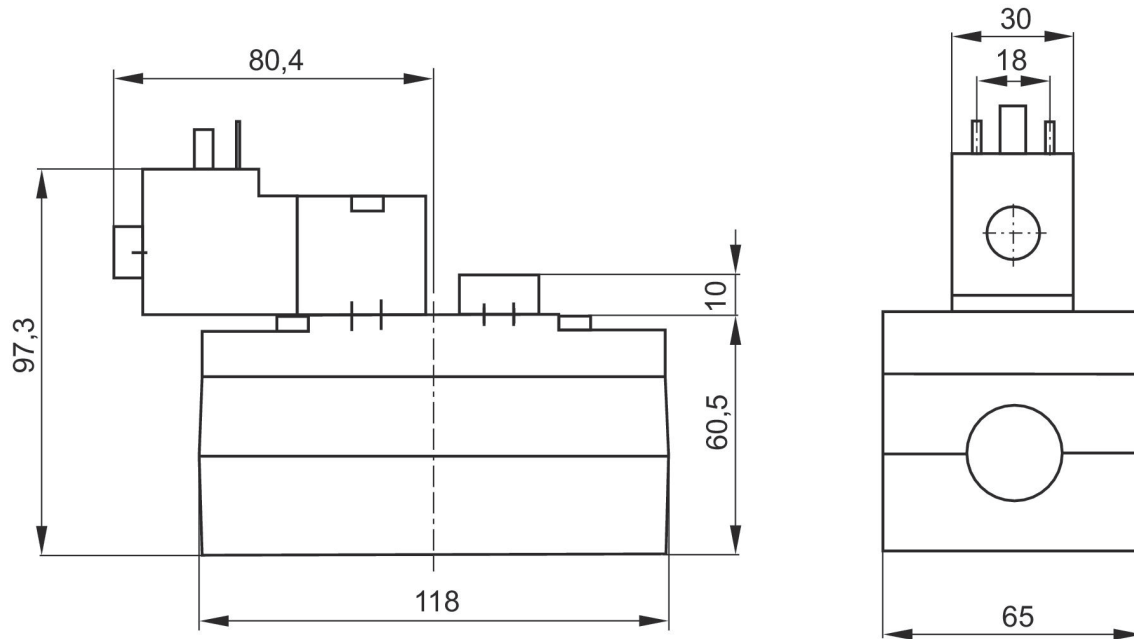
Flow: 4800 l/min
 Activation: Electrically
 Control pressure min./max.: 3 bar ... 10 bar
 Duty cycle: 100 %
 Type: Spool valve
 Ambient temperature min./max.: -15 °C ... 50 °C
 Medium temperature min./max.: -15 °C ... 50 °C
 Working pressure min./max.: 10 bar



	Switching principle	Operational voltage	Voltage tolerance DC	Power consumption DC [W]	Switch-on time [ms]	Switch-off time [ms]	Pilot	Part No.
	5/2, with spring return	24 V DC	-10 % / +10 %	6	24	66	Internal	5813170190
	5/2, with spring return	24 V DC	-10 % / +10 %	6	24	66	Internal	5813171190
	5/2, with spring return	24 V DC	-10 % / +10 %	6	24	66	External	5813172190
	5/2, with spring return	24 V DC	-10 % / +10 %	6	24	66	External	5813173190

Throttle	Manual override	Part No.
	without detent	5813170190
with throttle	without detent	5813171190
	without detent	5813172190
with throttle	without detent	5813173190

Dimensions



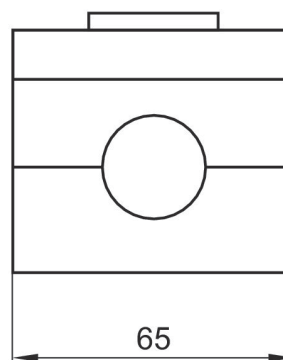
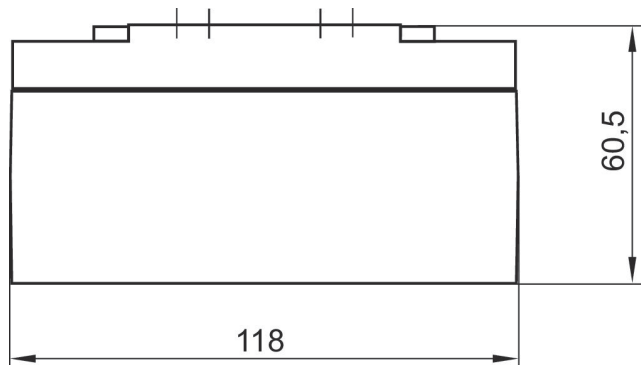
5/3-directional valve, Series 581, size 3, Basic valve for CNOMO pilot valve

Flow: 4100 l/min
 Activation: Electrically
 Control pressure min./max.: 3 bar ... 16 bar
 Duty cycle: 100 %
 Type: Spool valve
 Ambient temperature min./max.: -20 °C ... 70 °C
 Medium temperature min./max.: -20 °C ... 70 °C
 Working pressure min./max.: -0.95 bar ... 16 bar



	Switching principle	Pilot	Throttle	Part No.
	5/3, closed center	External, Internal		5813480000
	5/3, closed center	External, Internal	with throttle	5813481000
	5/3, exhausted center	External, Internal		5813580000
	5/3, exhausted center	External, Internal	with throttle	5813581000
	5/3, pressurized center	External, Internal		5813780000
	5/3, pressurized center	External, Internal	with throttle	5813781000

Dimensions



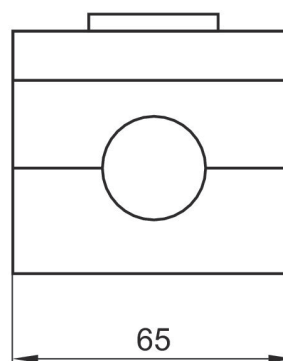
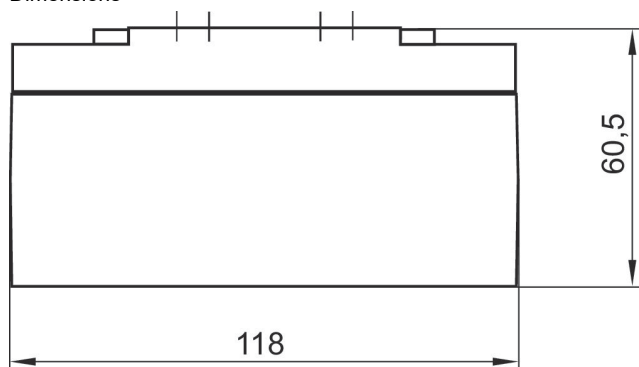
5/3-directional valve, Series 581, size 3, Basic valve for CNOMO pilot valve

Flow: 4100 l/min
 Activation: Electrically
 Control pressure min./max.: 3 bar ... 16 bar
 Duty cycle: 100 %
 Type: Spool valve
 Ambient temperature min./max.: -20 °C ... 70 °C
 Medium temperature min./max.: -20 °C ... 70 °C
 Working pressure min./max.: -0.95 bar ... 16 bar



	Switching principle	Pilot	Part No.
	5/3, closed center	External, Internal	5813480100
	5/3, exhausted center	External, Internal	5813580100
	5/3, pressurized center	External, Internal	5813780100

Dimensions



5/3-directional valve, Series 581, size 3

Flow: 4100 l/min
 Activation: Electrically
 Control pressure min./max.: 3.2 bar ... 10 bar
 Duty cycle: 100 %
 Type: Spool valve
 Ambient temperature min./max.: -10 °C ... 60 °C
 Medium temperature min./max.: -10 °C ... 60 °C
 Working pressure min./max.: 10 bar

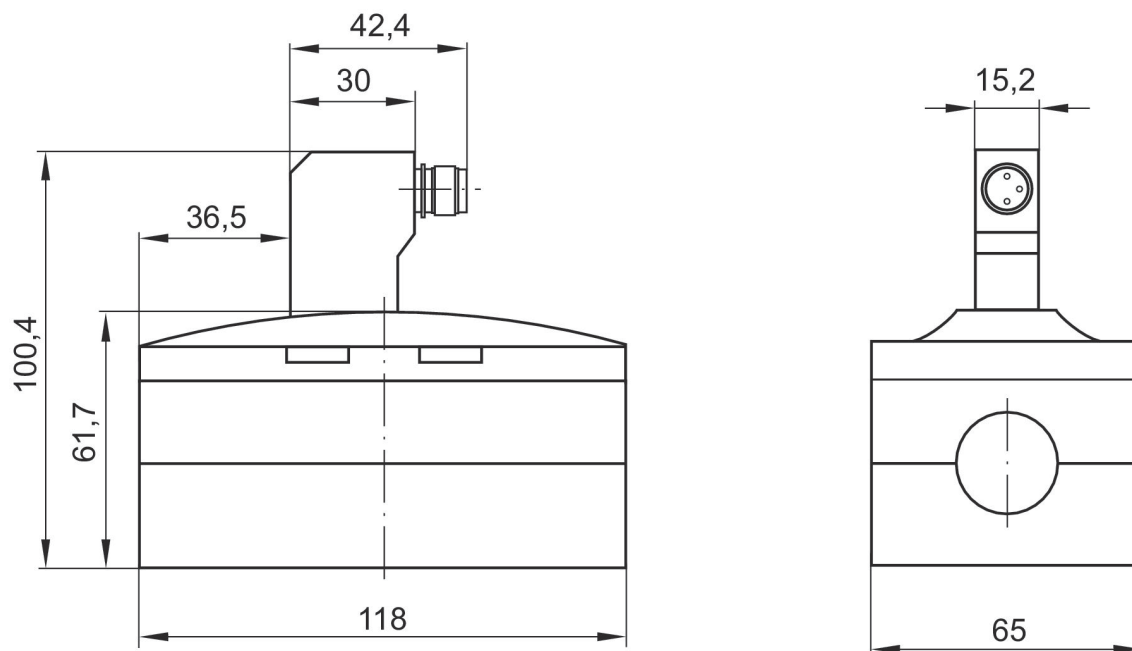


	Switching principle	Operational voltage	Voltage tolerance DC	Power consumption DC [W]	Switch-on time [ms]	Switch-off time [ms]	Pilot	Part No.
	5/3, closed center	24 V DC	-10 % / +10 %	0.35	24	48	Internal	5813420720
	5/3, closed center	24 V DC	-10 % / +10 %	0.35	24	48	Internal	5813421720
	5/3, closed center	24 V DC	-10 % / +10 %	0.35	24	48	Internal	5813420710
	5/3, closed center	24 V DC	-10 % / +10 %	0.35	24	48	Internal	5813421710
	5/3, closed center	24 V DC	-10 % / +10 %	0.35	24	48	External	5813422720
	5/3, closed center	24 V DC	-10 % / +10 %	0.35	24	48	External	5813423720
	5/3, closed center	24 V DC	-10 % / +10 %	0.35	24	48	External	5813422710
	5/3, closed center	24 V DC	-10 % / +10 %	0.35	24	48	External	5813423710
	5/3, closed center	24 V DC	-10 % / +10 %	0.35	24	48	Internal	5813520720
	5/3, closed center	24 V DC	-10 % / +10 %	0.35	24	48	Internal	5813521720
	5/3, closed center	24 V DC	-10 % / +10 %	0.35	24	48	Internal	5813520710
	5/3, closed center	24 V DC	-10 % / +10 %	0.35	24	48	Internal	5813521710
	5/3, closed center	24 V DC	-10 % / +10 %	0.35	24	48	External	5813522720
	5/3, closed center	24 V DC	-10 % / +10 %	0.35	24	48	External	5813523720
	5/3, closed center	24 V DC	-10 % / +10 %	0.35	24	48	External	5813522710
	5/3, closed center	24 V DC	-10 % / +10 %	0.35	24	48	External	5813523710
	5/3, pressurized center	24 V DC	-10 % / +10 %	0.35	24	48	Internal	5813720720

	Switching principle	Operational voltage	Voltage tolerance DC	Power consumption DC [W]	Switch-on time [ms]	Switch-off time [ms]	Pilot	Part No.
	5/3, pressurized center	24 V DC	-10 % / +10 %	0.35	24	48	Internal	5813721720
	5/3, pressurized center	24 V DC	-10 % / +10 %	0.35	24	48	Internal	5813720710
	5/3, pressurized center	24 V DC	-10 % / +10 %	0.35	24	48	Internal	5813721710
	5/3, pressurized center	24 V DC	-10 % / +10 %	0.35	24	48	External	5813722720
	5/3, pressurized center	24 V DC	-10 % / +10 %	0.35	24	48	External	5813723720
	5/3, pressurized center	24 V DC	-10 % / +10 %	0.35	24	48	External	5813722710
	5/3, pressurized center	24 V DC	-10 % / +10 %	0.35	24	48	External	5813723710

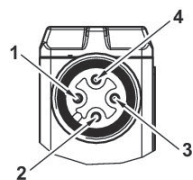
Throttle	Manual override	Part No.
	without detent	5813420720
with throttle	without detent	5813421720
	with detent	5813420710
with throttle	with detent	5813421710
	without detent	5813422720
with throttle	without detent	5813423720
	with detent	5813422710
with throttle	with detent	5813423710
	without detent	5813520720
with throttle	without detent	5813521720
	with detent	5813520710
with throttle	with detent	5813521710
	without detent	5813522720
with throttle	without detent	5813523720
	with detent	5813522710
with throttle	with detent	5813523710
	without detent	5813720720
with throttle	without detent	5813721720
	with detent	5813720710
with throttle	with detent	5813721710
	without detent	5813722720
with throttle	without detent	5813723720
	with detent	5813722710
with throttle	with detent	5813723710

Dimensions



5813420720, 5813421720, 5813420710, 5813421710, 5813422720, 5813423720, 5813422710, 5813423710, 5813520720, 5813521720, 5813520710, 5813521710, 5813522720, 5813523720, 5813522710, 5813523710, 5813720720, 5813721720, 5813720710, 5813721710, 5813722720, 5813723720, 5813722710, 5813723710

Pin assignments



- 1) not assigned
- 2) Coil 12
- 3) 0 V DC
- 4) Coil 14

5/3-directional valve, Series 581, size 3

Flow: 4100 l/min
 Activation: Electrically
 Control pressure min./max.: 3 bar ... 10 bar
 Duty cycle: 100 %
 Type: Spool valve
 Ambient temperature min./max.: -15 °C ... 50 °C
 Medium temperature min./max.: -15 °C ... 50 °C
 Working pressure min./max.: 10 bar



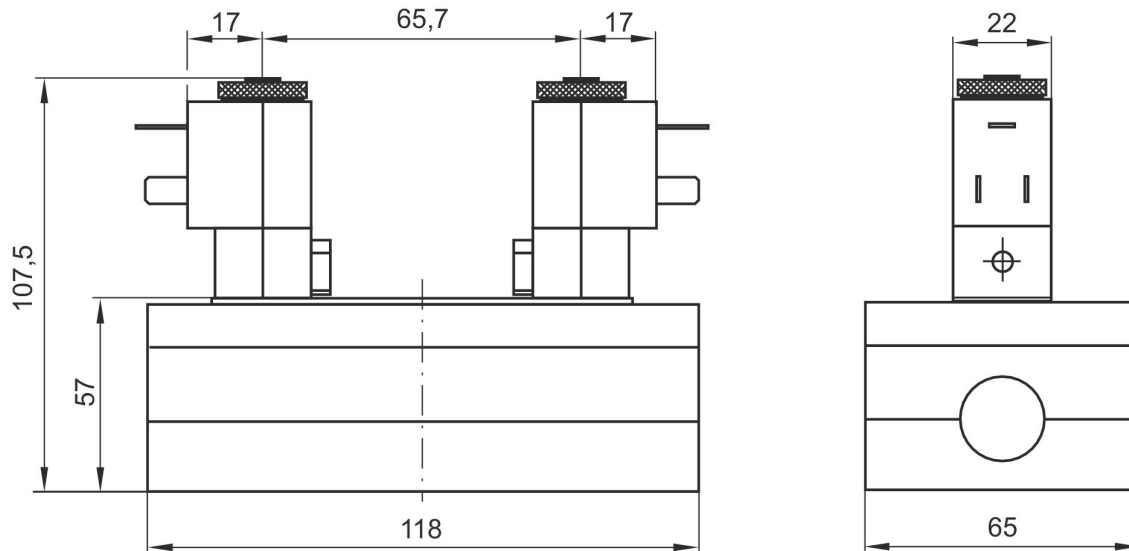
	Switching principle	Operational voltage	Voltage tolerance DC	Power consumption DC [W]	Switch-on time [ms]	Switch-off time [ms]	Pilot	Part No.
	5/3, pressurized center	12 V DC	-10 % / +10 %	5	23	64	Internal	5813720500
	5/3, pressurized center	24 V AC			23	64	Internal	5813720200
	5/3, pressurized center	24 V DC	-10 % / +10 %	5	23	64	Internal	5813720100
	5/3, pressurized center	48 V DC	-10 % / +10 %	5	23	64	Internal	5813720600
	5/3, pressurized center	110 V AC			23	64	Internal	5813720300
	5/3, pressurized center	230 V AC			23	64	Internal	5813720400
	5/3, pressurized center				23	64	Internal	5813720000
	5/3, pressurized center	12 V DC	-10 % / +10 %	5	23	64	Internal	5813721500
	5/3, pressurized center	24 V AC			23	64	Internal	5813721200
	5/3, pressurized center	24 V DC	-10 % / +10 %	5	23	64	Internal	5813721100
	5/3, pressurized center	48 V DC	-10 % / +10 %	5	23	64	Internal	5813721600
	5/3, pressurized center	110 V AC			23	64	Internal	5813721300
	5/3, pressurized center	230 V AC			23	64	Internal	5813721400
	5/3, pressurized center				23	64	Internal	5813721000
	5/3, pressurized center	12 V DC	-10 % / +10 %	5	23	64	External	5813722500
	5/3, pressurized center	24 V AC			23	64	External	5813722200
	5/3, pressurized center	24 V DC	-10 % / +10 %	5	23	64	External	5813722100
	5/3, pressurized center	48 V DC	-10 % / +10 %	5	23	64	External	5813722600

	Switching principle	Operational voltage	Voltage tolerance DC	Power consumption DC [W]	Switch-on time [ms]	Switch-off time [ms]	Pilot	Part No.
	5/3, pressurized center	110 V AC			23	64	External	5813722300
	5/3, pressurized center	230 V AC			23	64	External	5813722400
	5/3, pressurized center				23	64	External	5813722000
	5/3, pressurized center	12 V DC	-10 % / +10 %	5	23	64	External	5813723500
	5/3, pressurized center	24 V AC			23	64	External	5813723200
	5/3, pressurized center	24 V DC	-10 % / +10 %	5	23	64	External	5813723100
	5/3, pressurized center	48 V DC	-10 % / +10 %	5	23	64	External	5813723600
	5/3, pressurized center	110 V AC			23	64	External	5813723300
	5/3, pressurized center	230 V AC			23	64	External	5813723400
	5/3, pressurized center				23	64	External	5813723000

Throttle	Manual override	Part No.
	with detent	5813720500
	with detent	5813720200
	with detent	5813720100
	with detent	5813720600
	with detent	5813720300
	with detent	5813720400
	with detent	5813720000
with throttle	with detent	5813721500
with throttle	with detent	5813721200
with throttle	with detent	5813721100
with throttle	with detent	5813721600
with throttle	with detent	5813721300
with throttle	with detent	5813721400
with throttle	with detent	5813721000
	with detent	5813722500
	with detent	5813722200
	with detent	5813722100
	with detent	5813722600
	with detent	5813722300
	with detent	5813722400
	with detent	5813722000
with throttle	with detent	5813723500

Throttle	Manual override	Part No.
with throttle	with detent	5813723200
with throttle	with detent	5813723100
with throttle	with detent	5813723600
with throttle	with detent	5813723300
with throttle	with detent	5813723400
with throttle	with detent	5813723000

Dimensions



The pilot valves can be loosened and turned through 180°.

5/3-directional valve, Series 581, size 3

Flow: 4100 l/min

Activation: Electrically

Control pressure min./max.: 3 bar ... 10 bar

Duty cycle: 100 %







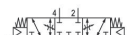
Type: Spool valve

Ambient temperature min./max.: -15 °C ... 50 °C

Medium temperature min./max.: -15 °C ... 50 °C

Working pressure min./max.: 10 bar

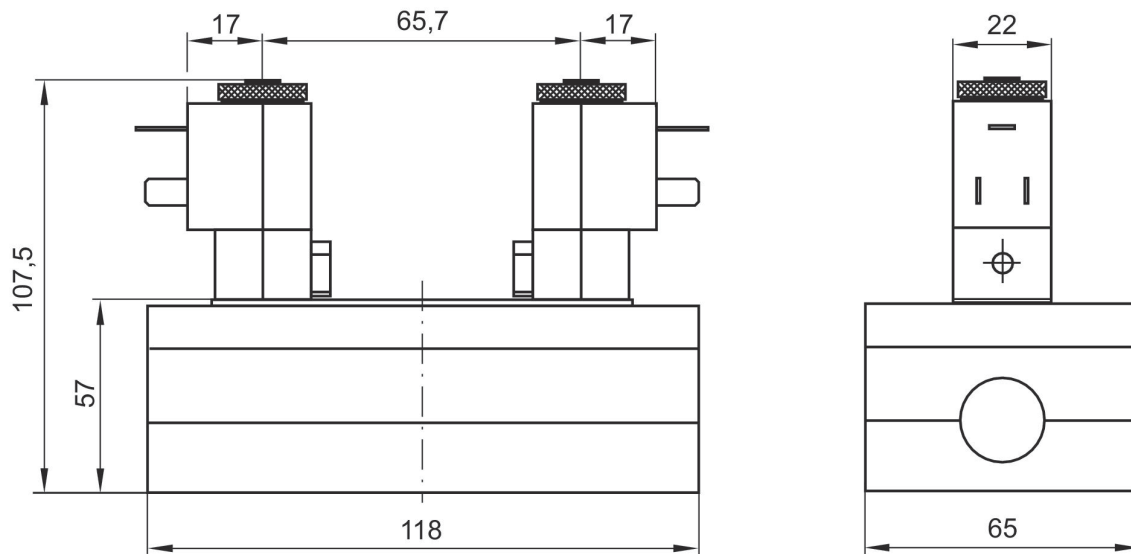
	Switching principle	Operational voltage	Voltage tolerance DC	Power consumption DC [W]	Switch-on time [ms]	Switch-off time [ms]	Pilot	Part No.
	5/3, closed center	12 V DC	-10 % / +10 %	5	23	64	Internal	5813420500
	5/3, closed center	24 V AC			23	64	Internal	5813420200
	5/3, closed center	24 V DC	-10 % / +10 %	5	23	64	Internal	5813420100
	5/3, closed center	48 V DC	-10 % / +10 %	5	23	64	Internal	5813420600
	5/3, closed center	110 V AC			23	64	Internal	5813420300
	5/3, closed center	230 V AC			23	64	Internal	5813420400
	5/3, closed center				23	64	Internal	5813420000
	5/3, closed center	12 V DC	-10 % / +10 %	5	23	64	Internal	5813421500
	5/3, closed center	24 V AC			23	64	Internal	5813421200
	5/3, closed center	24 V DC	-10 % / +10 %	5	23	64	Internal	5813421100
	5/3, closed center	48 V DC	-10 % / +10 %	5	23	64	Internal	5813421600
	5/3, closed center	110 V AC			23	64	Internal	5813421300
	5/3, closed center	230 V AC			23	64	Internal	5813421400
	5/3, closed center				23	64	Internal	5813421000
	5/3, closed center	12 V DC	-10 % / +10 %	5	23	64	External	5813422500
	5/3, closed center	24 V AC			23	64	External	5813422200
	5/3, closed center	24 V DC	-10 % / +10 %	5	23	64	External	5813422100
	5/3, closed center	48 V DC	-10 % / +10 %	5	23	64	External	5813422600
	5/3, closed center	110 V AC			23	64	External	5813422300
	5/3, closed center	230 V AC			23	64	External	5813422400
	5/3, closed center				23	64	External	5813422000

	Switching principle	Operational voltage	Voltage tolerance DC	Power consumption DC [W]	Switch-on time [ms]	Switch-off time [ms]	Pilot	Part No.
	5/3, closed center	12 V DC	-10 % / +10 %	5	23	64	External	5813423500
	5/3, closed center	24 V AC			23	64	External	5813423200
	5/3, closed center	24 V DC	-10 % / +10 %	5	23	64	External	5813423100
	5/3, closed center	48 V DC	-10 % / +10 %	5	23	64	External	5813423600
	5/3, closed center	110 V AC			23	64	External	5813423300
	5/3, closed center	230 V AC			23	64	External	5813423400
	5/3, closed center				23	64	External	5813423000

Throttle	Manual override	Part No.
	with detent	5813420500
	with detent	5813420200
	with detent	5813420100
	with detent	5813420600
	with detent	5813420300
	with detent	5813420400
	with detent	5813420000
with throttle	with detent	5813421500
with throttle	with detent	5813421200
with throttle	with detent	5813421100
with throttle	with detent	5813421600
with throttle	with detent	5813421300
with throttle	with detent	5813421400
with throttle	with detent	5813421000
	with detent	5813422500
	with detent	5813422200
	with detent	5813422100
	with detent	5813422600
	with detent	5813422300
	with detent	5813422400
	with detent	5813422000
with throttle	with detent	5813423500
with throttle	with detent	5813423200
with throttle	with detent	5813423100
with throttle	with detent	5813423600
with throttle	with detent	5813423300
with throttle	with detent	5813423400

Throttle	Manual override	Part No.
with throttle	with detent	5813423000

Dimensions



The pilot valves can be loosened and turned through 180°.

5/3-directional valve, Series 581, size 3

Flow: 4100 l/min
 Activation: Electrically
 Control pressure min./max.: 3 bar ... 10 bar
 Duty cycle: 100 %
 Type: Spool valve
 Ambient temperature min./max.: -15 °C ... 50 °C
 Medium temperature min./max.: -15 °C ... 50 °C
 Working pressure min./max.: 10 bar



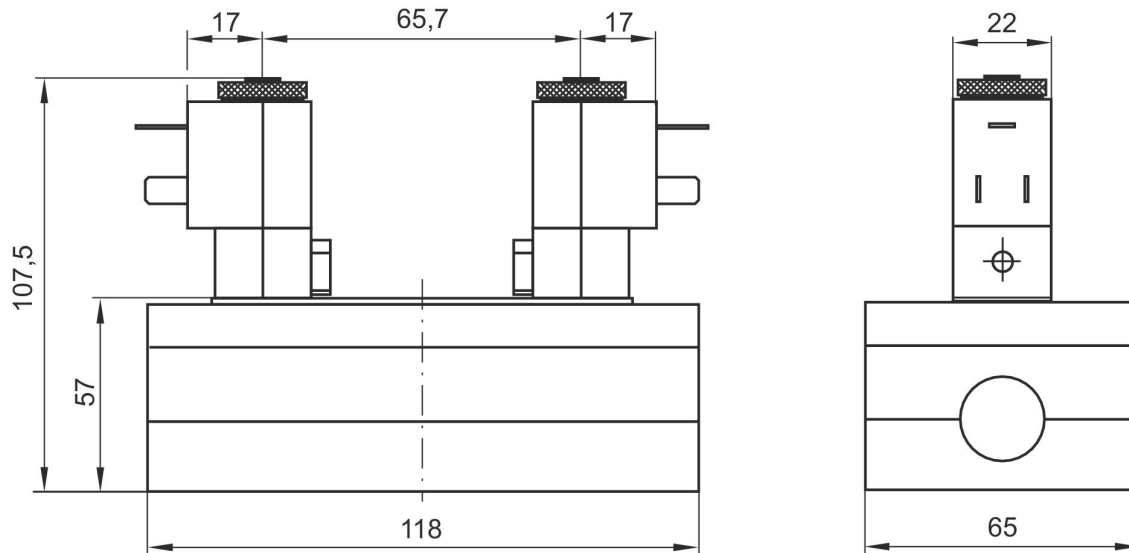
	Switching principle	Operational voltage	Voltage tolerance DC	Power consumption DC [W]	Switch-on time [ms]	Switch-off time [ms]	Pilot	Part No.
	5/3, exhausted center	12 V DC	-10 % / +10 %	5	23	64	Internal	5813520500
	5/3, exhausted center	24 V AC			23	64	Internal	5813520200
	5/3, exhausted center	24 V DC	-10 % / +10 %	5	23	64	Internal	5813520100
	5/3, exhausted center	48 V DC	-10 % / +10 %	5	23	64	Internal	5813520600
	5/3, exhausted center	110 V AC			23	64	Internal	5813520300
	5/3, exhausted center	230 V AC			23	64	Internal	5813520400
	5/3, exhausted center	12 V DC	-10 % / +10 %	5	23	64	Internal	5813520000
	5/3, exhausted center	24 V AC			23	64	Internal	5813521500
	5/3, exhausted center	24 V DC	-10 % / +10 %	5	23	64	Internal	5813521200
	5/3, exhausted center	24 V DC	-10 % / +10 %	5	23	64	Internal	5813521100
	5/3, exhausted center	48 V DC	-10 % / +10 %	5	23	64	Internal	5813521600
	5/3, exhausted center	110 V AC			23	64	Internal	5813521300
	5/3, exhausted center	230 V AC			23	64	Internal	5813521400
	5/3, exhausted center				23	64	Internal	5813521000
	5/3, exhausted center	12 V DC	-10 % / +10 %	5	23	64	External	5813522500
	5/3, exhausted center	24 V AC			23	64	External	5813522200
	5/3, exhausted center	24 V DC	-10 % / +10 %	5	23	64	External	5813522100
	5/3, exhausted center	48 V DC	-10 % / +10 %	5	23	64	External	5813522600

	Switching principle	Operational voltage	Voltage tolerance DC	Power consumption DC [W]	Switch-on time [ms]	Switch-off time [ms]	Pilot	Part No.
	5/3, exhausted center	110 V AC			23	64	External	5813522300
	5/3, exhausted center	230 V AC			23	64	External	5813522400
	5/3, exhausted center				23	64	External	5813522000
	5/3, exhausted center	12 V DC	-10 % / +10 %	5	23	64	External	5813523500
	5/3, exhausted center	24 V AC			23	64	External	5813523200
	5/3, exhausted center	24 V DC	-10 % / +10 %	5	23	64	External	5813523100
	5/3, exhausted center	48 V DC	-10 % / +10 %	5	23	64	External	5813523600
	5/3, exhausted center	110 V AC			23	64	External	5813523300
	5/3, exhausted center	230 V AC			23	64	External	5813523400
	5/3, exhausted center				23	64	External	5813523000

Throttle	Manual override	Part No.
	with detent	5813520500
	with detent	5813520200
	with detent	5813520100
	with detent	5813520600
	with detent	5813520300
	with detent	5813520400
	with detent	5813520000
with throttle	with detent	5813521500
with throttle	with detent	5813521200
with throttle	with detent	5813521100
with throttle	with detent	5813521600
with throttle	with detent	5813521300
with throttle	with detent	5813521400
with throttle	with detent	5813521000
	with detent	5813522500
	with detent	5813522200
	with detent	5813522100
	with detent	5813522600
	with detent	5813522300
	with detent	5813522400
	with detent	5813522000
with throttle	with detent	5813523500

Throttle	Manual override	Part No.
with throttle	with detent	5813523200
with throttle	with detent	5813523100
with throttle	with detent	5813523600
with throttle	with detent	5813523300
with throttle	with detent	5813523400
with throttle	with detent	5813523000

Dimensions



The pilot valves can be loosened and turned through 180°.

5/3-directional valve, Series 581, size 3

Flow: 4100 l/min
 Activation: Electrically
 Control pressure min./max.: 3 bar ... 16 bar
 Duty cycle: 100 %
 Type: Spool valve
 Ambient temperature min./max.: -15 °C ... 50 °C
 Medium temperature min./max.: -15 °C ... 50 °C
 Working pressure min./max.: 16 bar

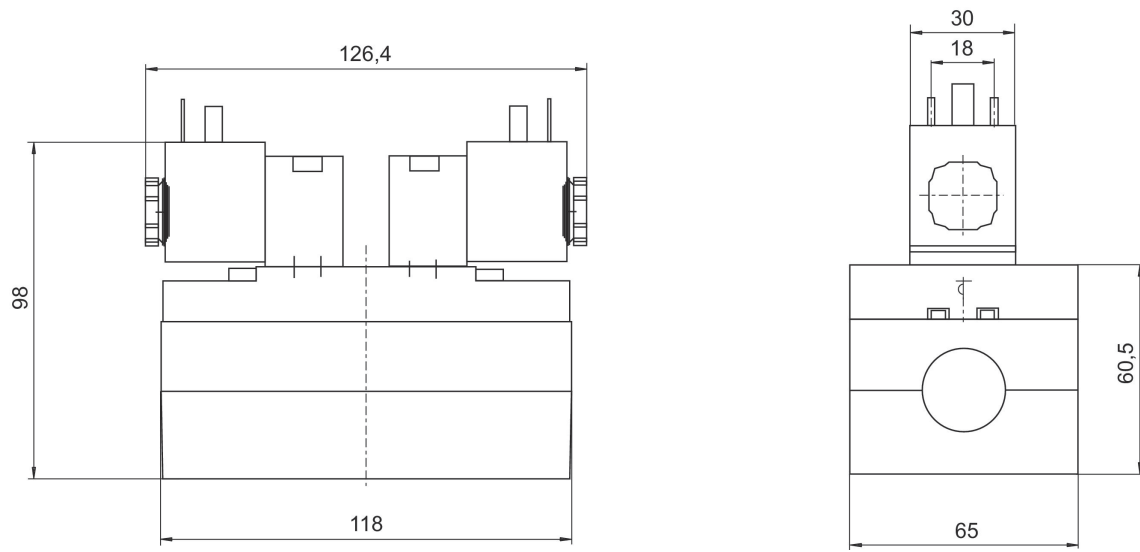


	Switching principle	Operational voltage	Voltage tolerance DC	Power consumption DC [W]	Switch-on time [ms]	Switch-off time [ms]	Pilot	Part No.
	5/3, closed center	24 V DC	-10 % / +10 %	6.7	22	61	Internal	5813490530
	5/3, closed center	230 V AC			22	61	Internal	5813490430
	5/3, closed center	24 V DC	-10 % / +10 %	6.7	22	61	Internal	5813491530
	5/3, closed center	230 V AC			22	61	Internal	5813491430
	5/3, closed center	24 V DC	-10 % / +10 %	6.7	22	61	External	5813492530
	5/3, closed center	230 V AC			22	61	External	5813492430
	5/3, closed center	24 V DC	-10 % / +10 %	6.7	22	61	External	5813493530
	5/3, closed center	230 V AC			22	61	External	5813493430
	5/3, exhausted center	24 V DC	-10 % / +10 %	6.7	22	61	Internal	5813590530
	5/3, exhausted center	230 V AC			22	61	Internal	5813590430
	5/3, exhausted center	24 V DC	-10 % / +10 %	6.7	22	61	Internal	5813591530
	5/3, exhausted center	230 V AC			22	61	Internal	5813591430
	5/3, exhausted center	24 V DC	-10 % / +10 %	6.7	22	61	External	5813592530
	5/3, exhausted center	230 V AC			22	61	External	5813592430
	5/3, exhausted center	24 V DC	-10 % / +10 %	6.7	22	61	External	5813593530
	5/3, exhausted center	230 V AC			22	61	External	5813593430
	5/3, pressurized center	24 V DC	-10 % / +10 %	6.7	22	61	Internal	5813790530
	5/3, pressurized center	230 V AC			22	61	Internal	5813790430

	Switching principle	Operational voltage	Voltage tolerance DC	Power consumption DC [W]	Switch-on time [ms]	Switch-off time [ms]	Pilot	Part No.
	5/3, pressurized center	24 V DC	-10 % / +10 %	6.7	22	61	Internal	5813791530
	5/3, pressurized center	230 V AC			22	61	Internal	5813791430
	5/3, pressurized center	24 V DC	-10 % / +10 %	6.7	22	61	External	5813792530
	5/3, pressurized center	230 V AC			22	61	External	5813792430
	5/3, pressurized center	24 V DC	-10 % / +10 %	6.7	22	61	External	5813793530
	5/3, pressurized center	230 V AC			22	61	External	5813793430

Throttle	Manual override	Part No.
	without	5813490530
	without	5813490430
with throttle	without	5813491530
with throttle	without	5813491430
	without	5813492530
	without	5813492430
with throttle	without	5813493530
with throttle	without	5813493430
	without	5813590530
	without	5813590430
with throttle	without	5813591530
with throttle	without	5813591430
	without	5813592530
	without	5813592430
with throttle	without	5813593530
with throttle	without	5813593430
	without	5813790530
	without	5813790430
with throttle	without	5813791530
with throttle	without	5813791430
	without	5813792530
	without	5813792430
with throttle	without	5813793530
with throttle	without	5813793430

Dimensions

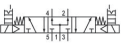

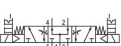
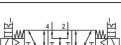

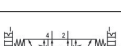
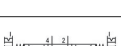


5/3-directional valve, Series 581, size 3

Flow: 4100 l/min
 Activation: Electrically
 Control pressure min./max.: 3 bar ... 10 bar
 Duty cycle: 100 %
 Type: Spool valve
 Ambient temperature min./max.: -15 °C ... 50 °C
 Medium temperature min./max.: -15 °C ... 50 °C
 Working pressure min./max.: 10 bar



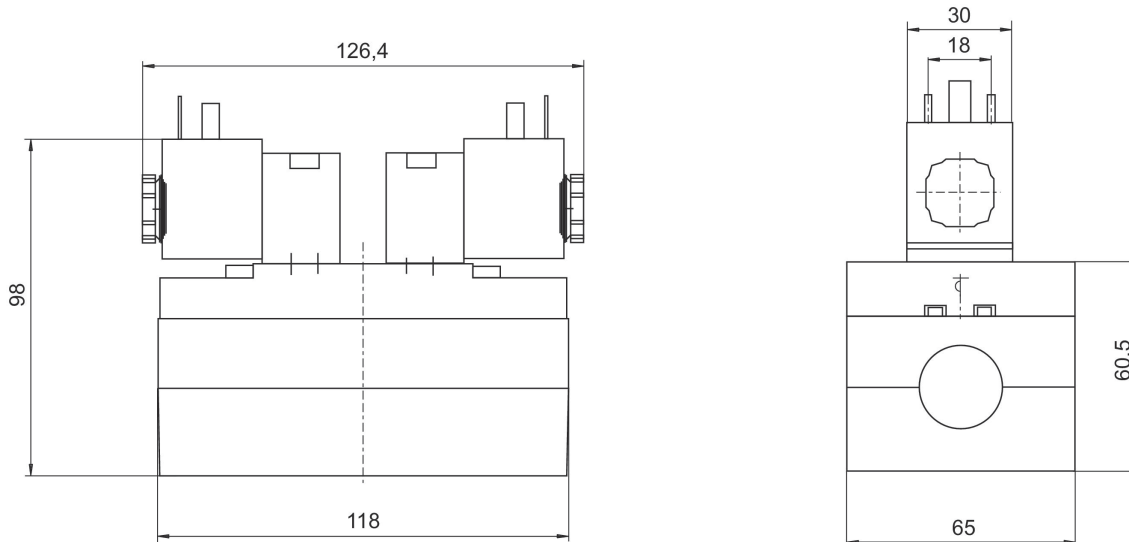
	Switching principle	Operational voltage	Voltage tolerance DC	Power consumption DC [W]	Switch-on time [ms]	Switch-off time [ms]	Pilot	Part No.
	5/3, closed center	24 V DC	-10 % / +10 %	2	22	61	Internal	5813490650
	5/3, closed center	230 V AC			22	61	Internal	5813490450
	5/3, closed center	24 V DC	-10 % / +10 %	2	22	61	Internal	5813491650
	5/3, closed center	230 V AC			22	61	Internal	5813491450
	5/3, closed center	24 V DC	-10 % / +10 %	2	22	61	External	5813492650
	5/3, closed center	230 V AC			22	61	External	5813492450
	5/3, closed center	24 V DC	-10 % / +10 %	2	22	61	External	5813493650
	5/3, closed center	230 V AC			22	61	External	5813493450
	5/3, closed center	24 V DC	-10 % / +10 %	2	22	61	Internal	5813590650
	5/3, exhausted center	230 V AC			22	61	Internal	5813590450
	5/3, exhausted center	24 V DC	-10 % / +10 %	2	22	61	Internal	5813591650
	5/3, exhausted center	230 V AC			22	61	Internal	5813591450
	5/3, exhausted center	24 V DC	-10 % / +10 %	2	22	61	External	5813592650
	5/3, exhausted center	230 V AC			22	61	External	5813592450
	5/3, exhausted center	24 V DC	-10 % / +10 %	2	22	61	External	5813593650
	5/3, exhausted center	230 V AC			22	61	External	5813593450
	5/3, pressurized center	24 V DC	-10 % / +10 %	2	22	61	Internal	5813790650

	Switching principle	Operational voltage	Voltage tolerance DC	Power consumption DC [W]	Switch-on time [ms]	Switch-off time [ms]	Pilot	Part No.
	5/3, pressurized center	230 V AC			22	61	Internal	5813790450
	5/3, pressurized center	24 V DC	-10 % / +10 %	2	22	61	Internal	5813791650
	5/3, pressurized center	230 V AC			22	61	Internal	5813791450
	5/3, pressurized center	24 V DC	-10 % / +10 %	2	22	61	External	5813792650
	5/3, pressurized center	230 V AC			22	61	External	5813792450
	5/3, pressurized center	24 V DC	-10 % / +10 %	2	22	61	External	5813793650
	5/3, pressurized center	230 V AC			22	61	External	5813793450

Throttle	Manual override	Compatibility index	Part No.
	with detent, without detent	14	5813490650
	with detent, without detent	14	5813490450
with throttle	with detent, without detent	14	5813491650
with throttle	with detent, without detent	14	5813491450
	with detent, without detent	14	5813492650
	with detent, without detent	14	5813492450
with throttle	with detent, without detent	14	5813493650
with throttle	with detent, without detent	14	5813493450
	with detent, without detent	14	5813590650
	with detent, without detent	14	5813590450
with throttle	with detent, without detent	14	5813591650
with throttle	with detent, without detent	14	5813591450
	with detent, without detent	14	5813592650
	with detent, without detent	14	5813592450
with throttle	with detent, without detent	14	5813593650
with throttle	with detent, without detent	14	5813593450

Throttle	Manual override	Compatibil-ity index	Part No.
	with detent, without detent	14	5813790650
	with detent, without detent	14	5813790450
with throttle	with detent, without detent	14	5813791650
with throttle	with detent, without detent	14	5813791450
	with detent, without detent	14	5813792650
	with detent, without detent	14	5813792450
with throttle	with detent, without detent	14	5813793650
with throttle	with detent, without detent	14	5813793450

Dimensions



5/3-directional valve, Series 581, size 3

Flow: 4100 l/min
 Activation: Electrically
 Control pressure min./max.: 3 bar ... 16 bar
 Duty cycle: 100 %
 Type: Spool valve
 Ambient temperature min./max.: -15 °C ... 50 °C
 Medium temperature min./max.: -15 °C ... 50 °C
 Working pressure min./max.: 16 bar

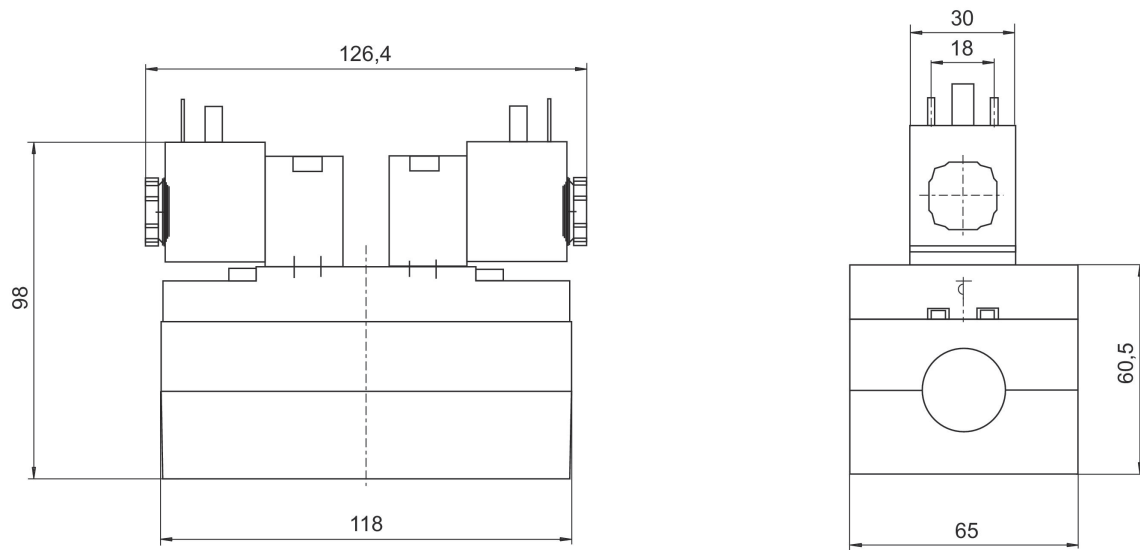


	Switching principle	Operational voltage	Voltage tolerance DC	Power consumption DC [W]	Switch-on time [ms]	Switch-off time [ms]	Pilot	Part No.
	5/3, closed center	24 V DC / 42 V AC	-10 % / +10 %	6.7	22	61	Internal	5813490540
	5/3, closed center	230 V AC			22	61	Internal	5813490440
	5/3, closed center	24 V DC / 42 V AC	-10 % / +10 %	6.7	22	61	Internal	5813491540
	5/3, closed center	230 V AC			22	61	Internal	5813491440
	5/3, closed center	24 V DC / 42 V AC	-10 % / +10 %	6.7	22	61	External	5813492540
	5/3, closed center	230 V AC			22	61	External	5813492440
	5/3, closed center	24 V DC / 42 V AC	-10 % / +10 %	6.7	22	61	External	5813493540
	5/3, closed center	230 V AC			22	61	External	5813493440
	5/3, exhausted center	24 V DC / 42 V AC	-10 % / +10 %	6.7	22	61	Internal	5813590540
	5/3, exhausted center	230 V AC			22	61	Internal	5813590440
	5/3, exhausted center	24 V DC / 42 V AC	-10 % / +10 %	6.7	22	61	Internal	5813591540
	5/3, exhausted center	230 V AC			22	61	Internal	5813591440
	5/3, exhausted center	24 V DC / 42 V AC	-10 % / +10 %	6.7	22	61	External	5813592540
	5/3, exhausted center	230 V AC			22	61	External	5813592440
	5/3, exhausted center	24 V DC / 42 V AC	-10 % / +10 %	6.7	22	61	External	5813593540
	5/3, exhausted center	230 V AC			22	61	External	5813593440
	5/3, pressurized center	24 V DC / 42 V AC	-10 % / +10 %	6.7	22	61	Internal	5813790540
	5/3, pressurized center	230 V AC			22	61	Internal	5813790440

	Switching principle	Operational voltage	Voltage tolerance DC	Power consumption DC [W]	Switch-on time [ms]	Switch-off time [ms]	Pilot	Part No.
	5/3, pressurized center	24 V DC / 42 V AC	-10 % / +10 %	6.7	22	61	Internal	5813791540
	5/3, pressurized center	230 V AC			22	61	Internal	5813791440
	5/3, pressurized center	24 V DC / 42 V AC	-10 % / +10 %	6.7	22	61	External	5813792540
	5/3, pressurized center	230 V AC			22	61	External	5813792440
	5/3, pressurized center	24 V DC / 42 V AC	-10 % / +10 %	6.7	22	61	External	5813793540
	5/3, pressurized center	230 V AC			22	61	External	5813793440

Throttle	Manual override	Part No.
	without detent	5813490540
	without detent	5813490440
with throttle	without detent	5813491540
with throttle	without detent	5813491440
	without detent	5813492540
	without detent	5813492440
with throttle	without detent	5813493540
with throttle	without detent	5813493440
	without detent	5813590540
	without detent	5813590440
with throttle	without detent	5813591540
with throttle	without detent	5813591440
	without detent	5813592540
	without detent	5813592440
with throttle	without detent	5813593540
with throttle	without detent	5813593440
	without detent	5813790540
	without detent	5813790440
with throttle	without detent	5813791540
with throttle	without detent	5813791440
	without detent	5813792540
	without detent	5813792440
with throttle	without detent	5813793540
with throttle	without detent	5813793440

Dimensions



5/3-directional valve, Series 581, size 3

Flow: 4100 l/min
 Activation: Electrically
 Control pressure min./max.: 3 bar ... 10 bar
 Duty cycle: 100 %
 Type: Spool valve
 Ambient temperature min./max.: -15 °C ... 50 °C
 Medium temperature min./max.: -15 °C ... 50 °C
 Working pressure min./max.: 10 bar

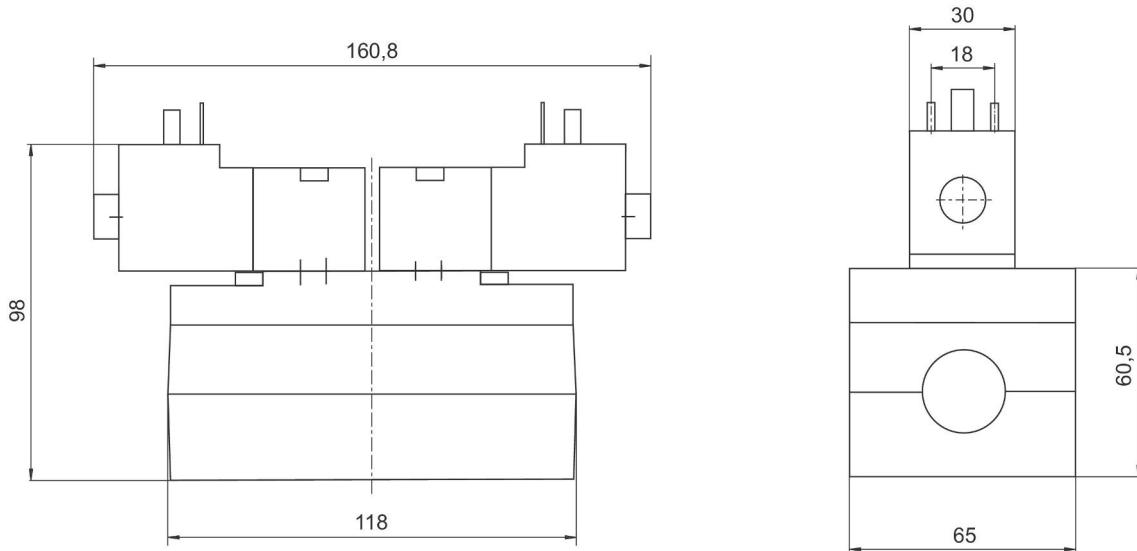


	Switching principle	Operational voltage	Voltage tolerance DC	Power consumption DC [W]	Switch-on time [ms]	Switch-off time [ms]	Pilot	Part No.
	5/3, closed center	24 V DC	-10 % / +10 %	6	22	61	Internal	5813490190
	5/3, closed center	24 V DC	-10 % / +10 %	6	22	61	Internal	5813491190
	5/3, closed center	24 V DC	-10 % / +10 %	6	22	61	External	5813492190
	5/3, closed center	24 V DC	-10 % / +10 %	6	22	61	External	5813493190
	5/3, exhausted center	24 V DC	-10 % / +10 %	6	22	61	Internal	5813590190
	5/3, exhausted center	24 V DC	-10 % / +10 %	6	22	61	Internal	5813591190
	5/3, exhausted center	24 V DC	-10 % / +10 %	6	22	61	External	5813592190
	5/3, exhausted center	24 V DC	-10 % / +10 %	6	22	61	External	5813593190
	5/3, pressurized center	24 V DC	-10 % / +10 %	6	22	61	Internal	5813790190
	5/3, pressurized center	24 V DC	-10 % / +10 %	6	22	61	Internal	5813791190
	5/3, pressurized center	24 V DC	-10 % / +10 %	6	22	61	External	5813792190
	5/3, pressurized center	24 V DC	-10 % / +10 %	6	22	61	External	5813793190

Throttle	Manual override	Part No.
	without detent	5813490190
with throttle	without detent	5813491190
	without detent	5813492190
with throttle	without detent	5813493190
	without detent	5813590190
with throttle	without detent	5813591190
	without detent	5813592190
with throttle	without detent	5813593190

Throttle	Manual override	Part No.
	without detent	5813790190
with throttle	without detent	5813791190
	without detent	5813792190
with throttle	without detent	5813793190

Dimensions



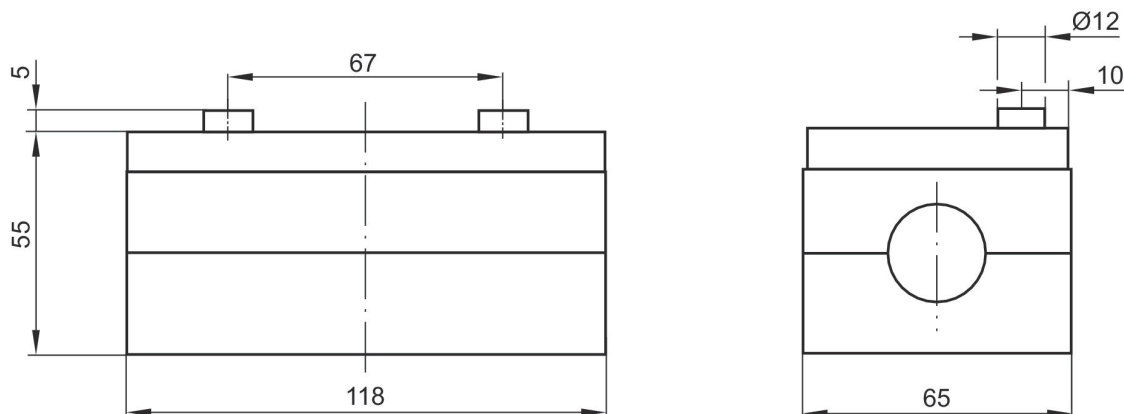
5/2-directional valve, Series 581, size 3

Flow: 4800 l/min
 Activation: Pneumatically
 Control pressure min./max.: 3 bar ... 16 bar
 Type: Spool valve
 Ambient temperature min./max.: -20 °C ... 70 °C
 Medium temperature min./max.: -20 °C ... 70 °C
 Working pressure min./max.: -0.95 bar ... 16 bar

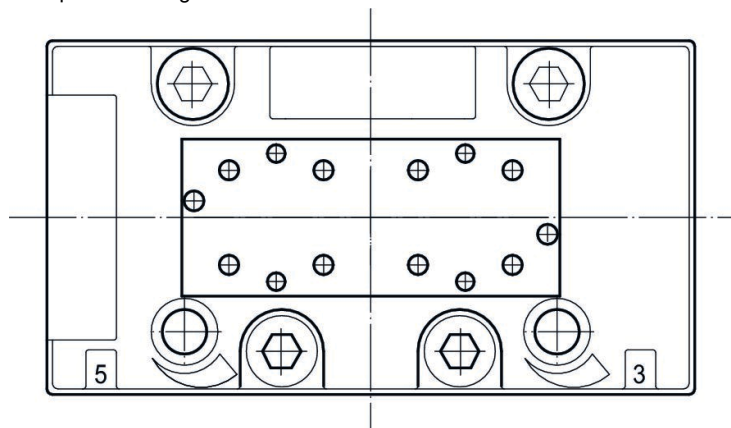


	Switching principle	Part No.
	5/2, with spring return	5813130100

Dimensions



Hole pattern for logic modules



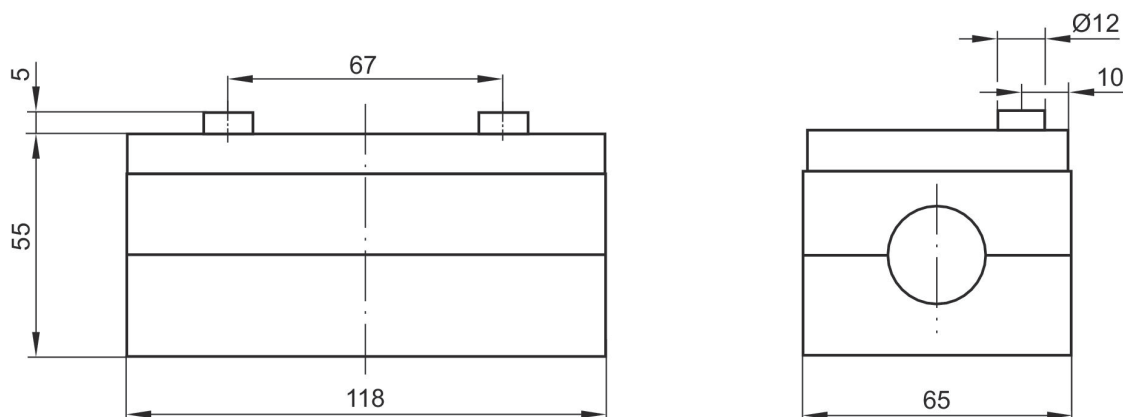
5/2-directional valve, Series 581, size 3, Single Air Pilot, with differential piston

Flow: 4800 l/min
 Activation: Pneumatically
 Control pressure min./max.: 1.5 bar ... 16 bar
 Type: Spool valve
 Ambient temperature min./max.: -20 °C ... 70 °C
 Medium temperature min./max.: -20 °C ... 70 °C
 Working pressure min./max.: -0.95 bar ... 16 bar

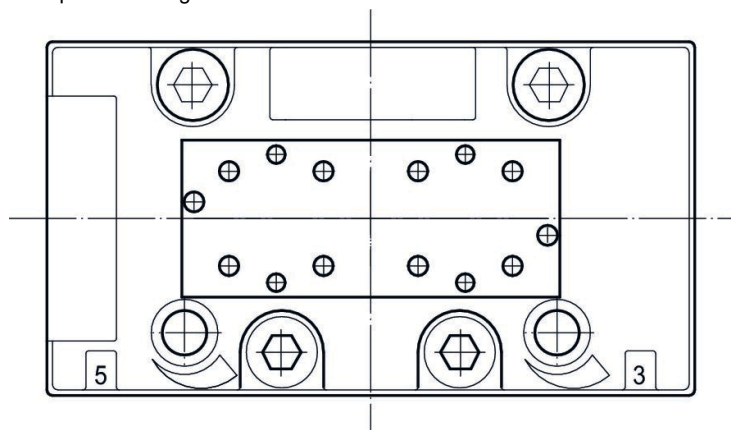


	Switching principle	Part No.
	5/2, with air spring return	5813630100

Dimensions



Hole pattern for logic modules



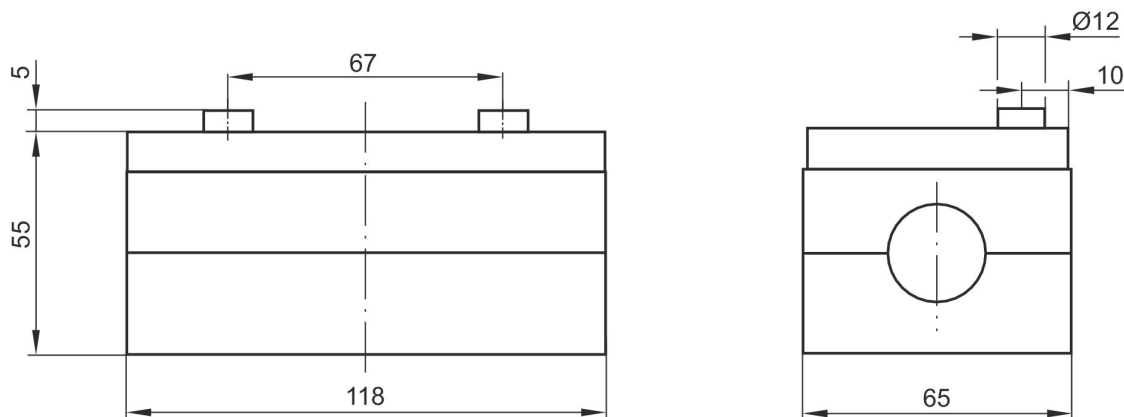
5/2-directional valve, Series 581, size 3

Flow: 4800 l/min
 Activation: Pneumatically
 Control pressure min./max.: 3 bar ... 16 bar
 Type: Spool valve
 Ambient temperature min./max.: -20 °C ... 70 °C
 Medium temperature min./max.: -20 °C ... 70 °C
 Working pressure min./max.: -0.95 bar ... 16 bar

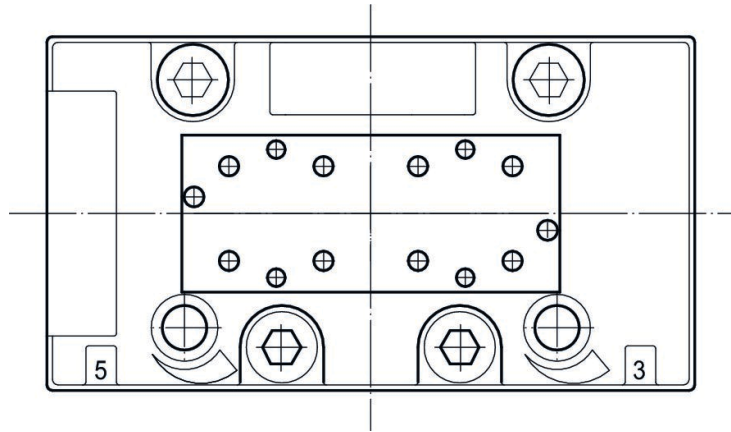


	Switching principle	Throttle	Note	Part No.
	5/2, with spring return			5813130000
	5/2, with spring return		Hole pattern for logic modules	5813140000
	5/2, with spring return	with throttle		5813131000
	5/2, with spring return	with throttle	Hole pattern for logic modules	5813141000

Dimensions



Hole pattern for logic modules



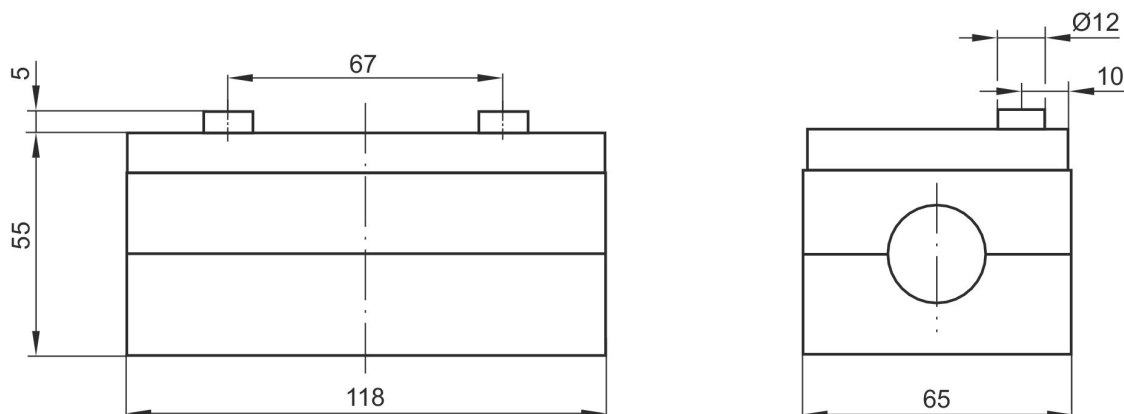
5/2-directional valve, Series 581, size 3, Single Air Pilot, with differential piston

Flow: 4800 l/min
 Activation: Pneumatically
 Control pressure min./max.: 1.5 bar ... 16 bar
 Type: Spool valve
 Ambient temperature min./max.: -20 °C ... 70 °C
 Medium temperature min./max.: -20 °C ... 70 °C
 Working pressure min./max.: -0.95 bar ... 16 bar

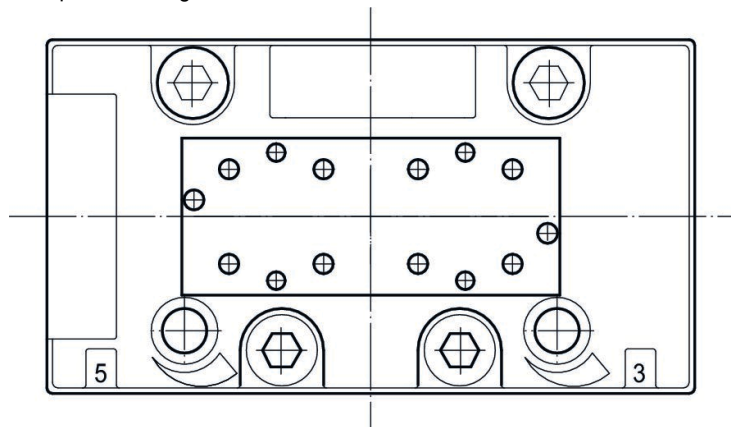


	Switching principle	Throttle	Note	Part No.
	5/2, with air spring return			5813630000
	5/2, with air spring return		Hole pattern for logic modules	5813640000
	5/2, with air spring return	with throttle		5813631000
	5/2, with air spring return	with throttle	Hole pattern for logic modules	5813641000

Dimensions



Hole pattern for logic modules



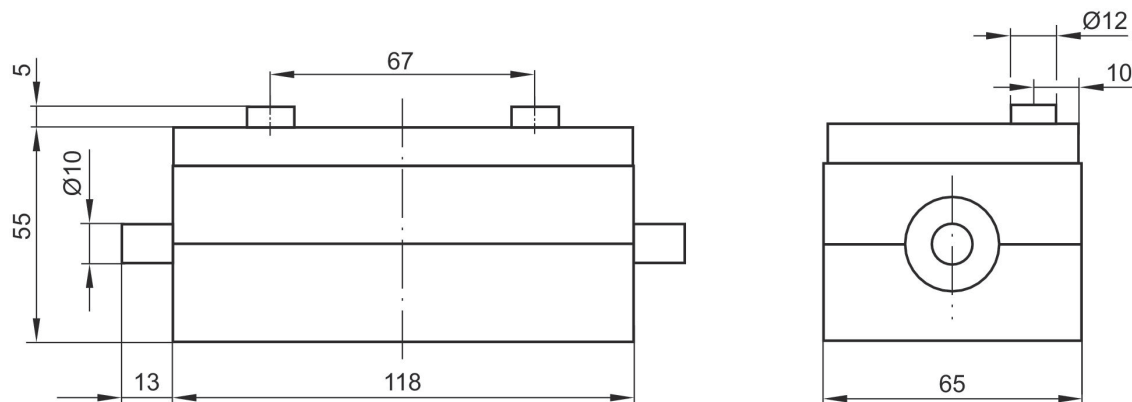
5/2-directional valve, Series 581, size 3, Double Air Pilot

Flow: 4800 l/min
 Activation: Pneumatically
 Control pressure min./max.: 1.5 bar ... 16 bar
 Type: Spool valve
 Ambient temperature min./max.: -20 °C ... 70 °C
 Medium temperature min./max.: -20 °C ... 70 °C
 Working pressure min./max.: -0.95 bar ... 16 bar



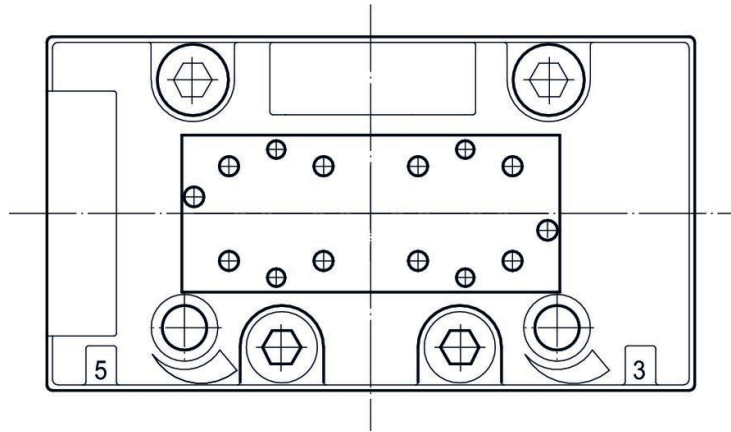
	Throttle	Manual override	Note	Part No.
		with detent		5813330000
		with detent	Hole pattern for logic modules	5813340000
	with throttle	with detent		5813331000
	with throttle	with detent	Hole pattern for logic modules	5813341000

Dimensions



With manual override

Hole pattern for logic modules



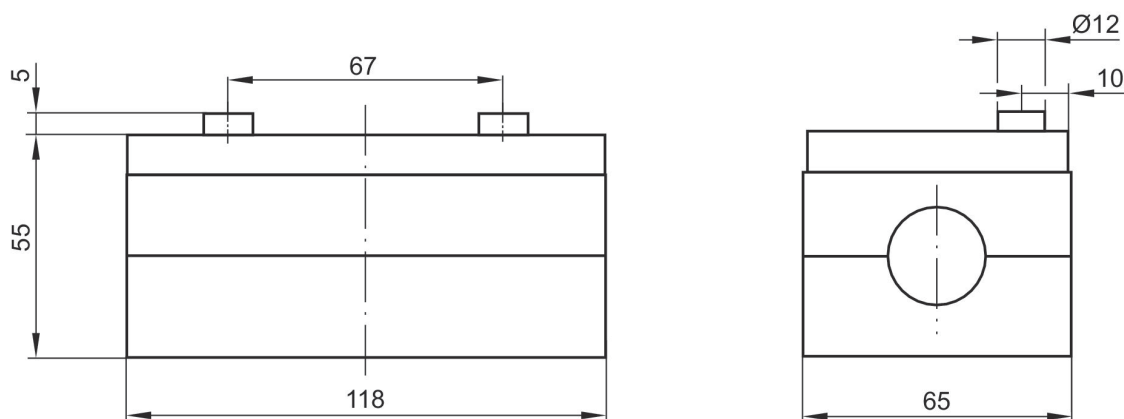
5/2-directional valve, Series 581, size 3, Double Air Pilot

Flow: 4800 l/min
 Activation: Pneumatically
 Control pressure min./max.: 1.5 bar ... 16 bar
 Type: Spool valve
 Ambient temperature min./max.: -20 °C ... 70 °C
 Medium temperature min./max.: -20 °C ... 70 °C
 Working pressure min./max.: -0.95 bar ... 16 bar

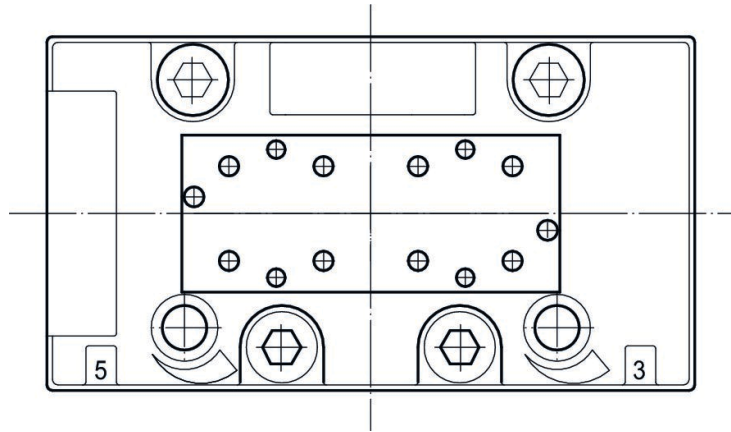


	Throttle	Note	Part No.
			5813230000
		Hole pattern for logic modules	5813240000
	with throttle		5813231000
	with throttle	Hole pattern for logic modules	5813241000

Dimensions



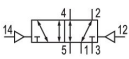
Hole pattern for logic modules



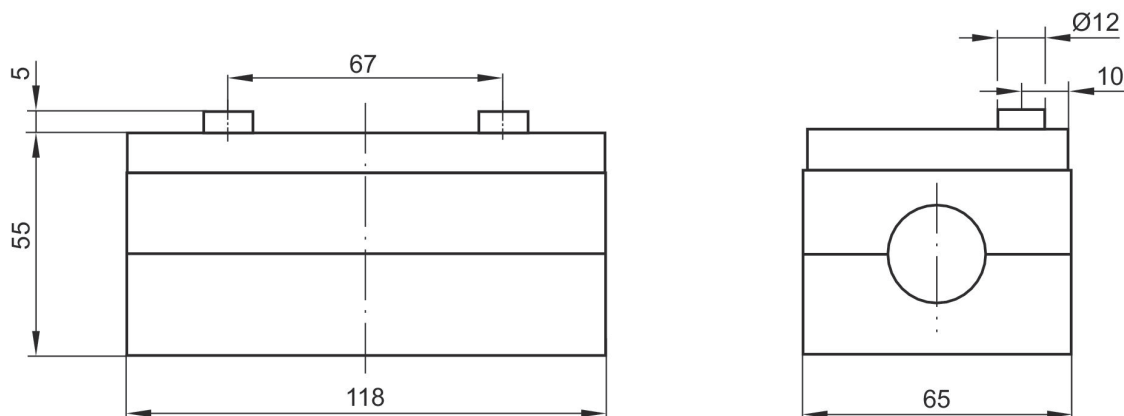
5/2-directional valve, Series 581, size 3, Double Air Pilot

Flow: 4800 l/min
 Activation: Pneumatically
 Control pressure min./max.: 1.5 bar ... 16 bar
 Type: Spool valve
 Ambient temperature min./max.: -20 °C ... 70 °C
 Medium temperature min./max.: -20 °C ... 70 °C
 Working pressure min./max.: -0.95 bar ... 16 bar

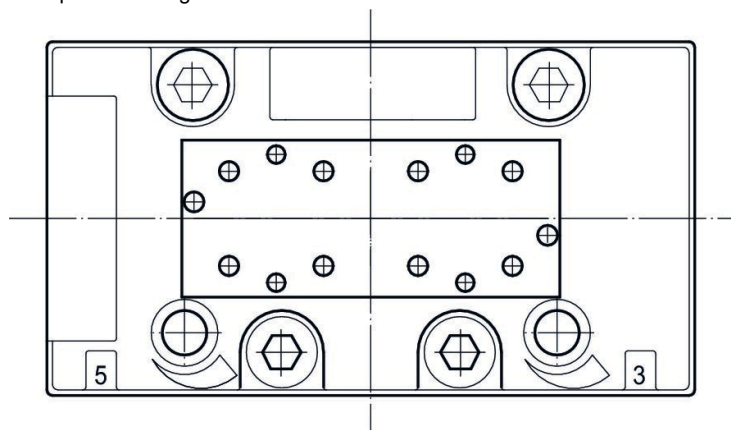


	Switching principle	Part No.
	5/2, double solenoid	5813230100

Dimensions



Hole pattern for logic modules



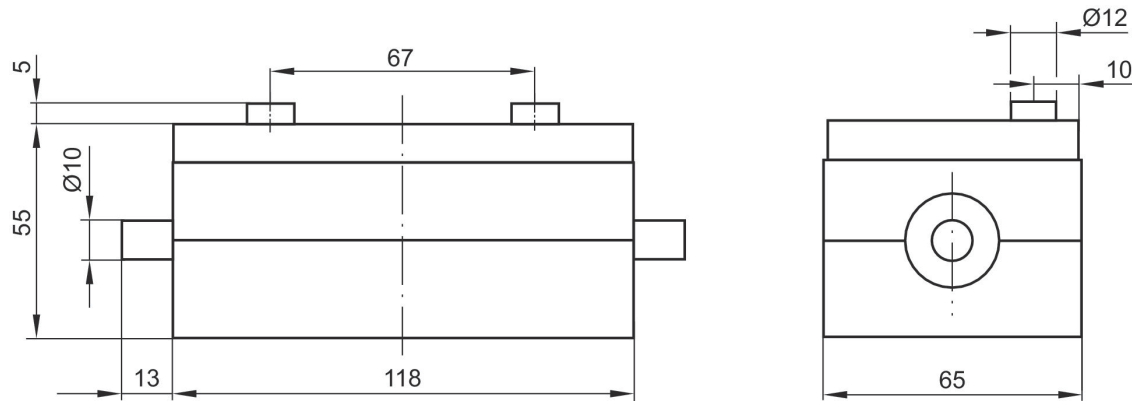
5/2-directional valve, Series 581, size 3, Double Air Pilot

Flow: 4800 l/min
 Activation: Pneumatically
 Control pressure min./max.: 1.5 bar ... 16 bar
 Type: Spool valve
 Ambient temperature min./max.: -20 °C ... 70 °C
 Medium temperature min./max.: -20 °C ... 70 °C
 Working pressure min./max.: -0.95 bar ... 16 bar



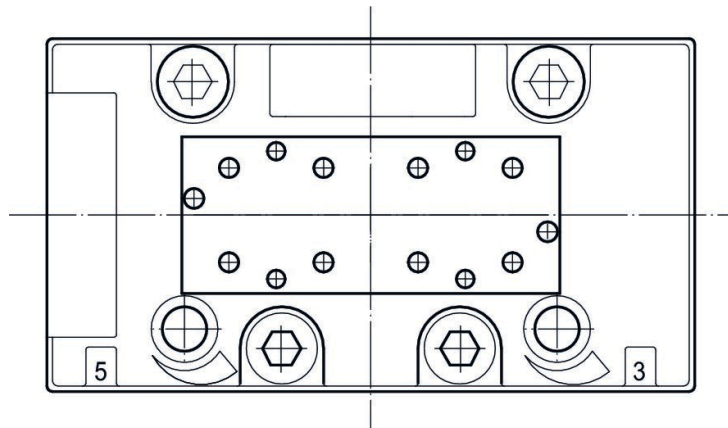
	Switching principle	Manual override	Part No.
	5/2, double solenoid	with detent	5813330100

Dimensions



With manual override

Hole pattern for logic modules



5/3-directional valve, Series 581, size 3

Flow: 4100 l/min

Activation: Pneumatically

Control pressure min./max.: 3 bar ... 16 bar

Type: Spool valve

Ambient temperature min./max.: -20 °C ... 70 °C

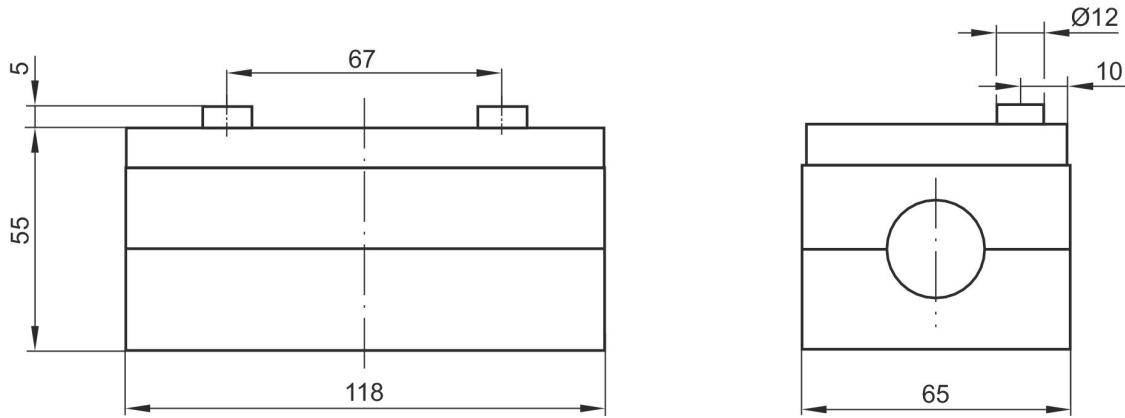
Medium temperature min./max.: -20 °C ... 70 °C

Working pressure min./max.: -0.95 bar ... 16 bar

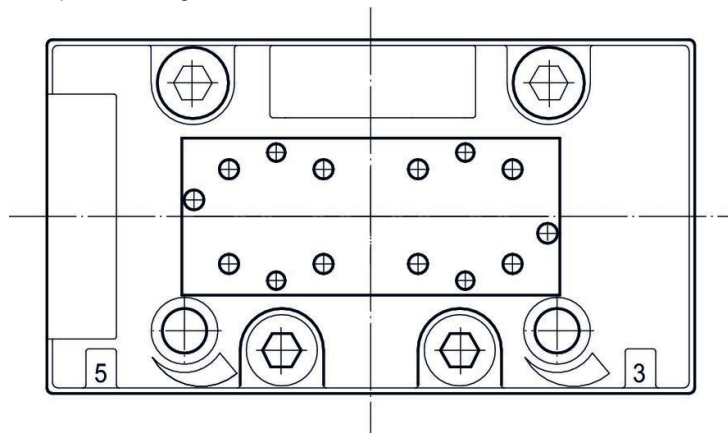


	Switching principle	Throttle	Note	Part No.
	5/3, closed center			5813430000
	5/3, closed center		Hole pattern for logic modules	5813440000
	5/3, closed center	with throttle		5813431000
	5/3, closed center	with throttle	Hole pattern for logic modules	5813441000
	5/3, exhausted center			5813530000
	5/3, exhausted center		Hole pattern for logic modules	5813540000
	5/3, exhausted center	with throttle		5813531000
	5/3, exhausted center	with throttle	Hole pattern for logic modules	5813541000
	5/3, pressurized center			5813730000
	5/3, pressurized center		Hole pattern for logic modules	5813740000
	5/3, pressurized center	with throttle		5813731000
	5/3, pressurized center	with throttle	Hole pattern for logic modules	5813741000

Dimensions



Hole pattern for logic modules



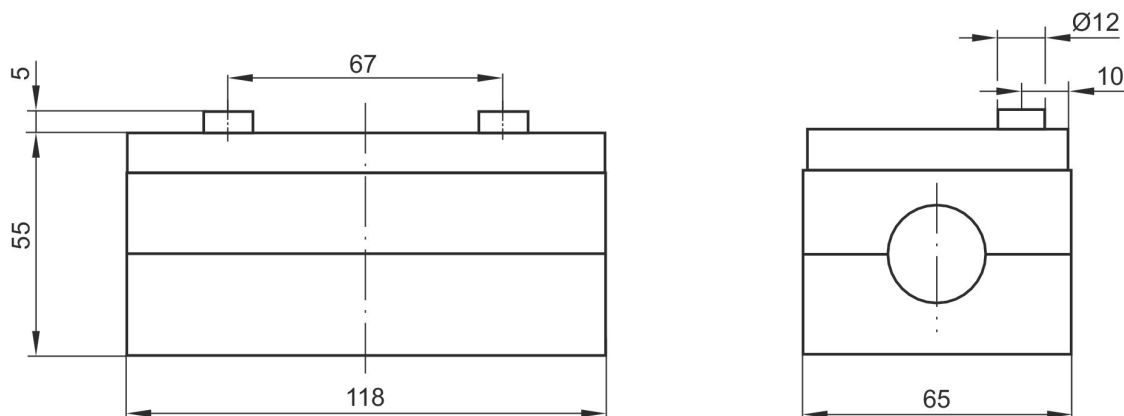
5/3-directional valve, Series 581, size 3

Flow: 4100 l/min
 Activation: Pneumatically
 Control pressure min./max.: 3 bar ... 16 bar
 Type: Spool valve
 Ambient temperature min./max.: -20 °C ... 70 °C
 Medium temperature min./max.: -20 °C ... 70 °C
 Working pressure min./max.: -0.95 bar ... 16 bar

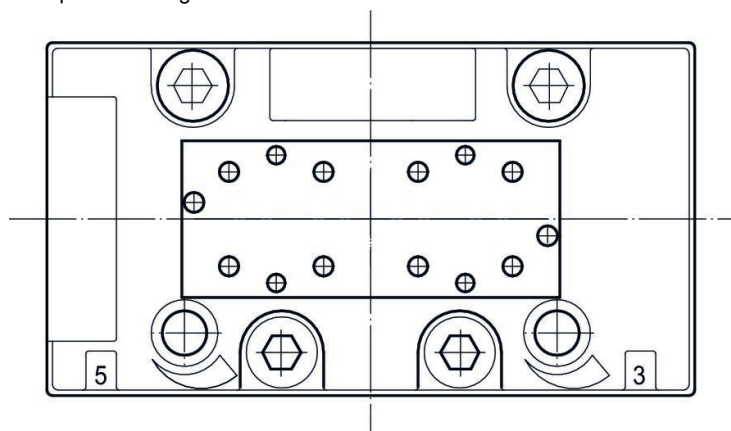


	Switching principle	Part No.
	5/3, closed center	5813430100
	5/3, exhausted center	5813530100
	5/3, pressurized center	5813730100

Dimensions

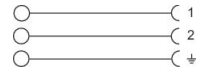


Hole pattern for logic modules



Valve plug connector, series CON-VP, Form A, 300 V DC / 250 V AC, 2-pin

Electrical connection 1: EN 175301-803, form A
Ambient temperature min./max.: -40 °C ... 90 °C



Operational voltage	Max. current [A]	Contact assignment	min. suitable cable Ø [mm]	max. suitable cable Ø [mm]	Part No.
300 V DC / 250 V AC	10	2+E	4	9.5	1834484048

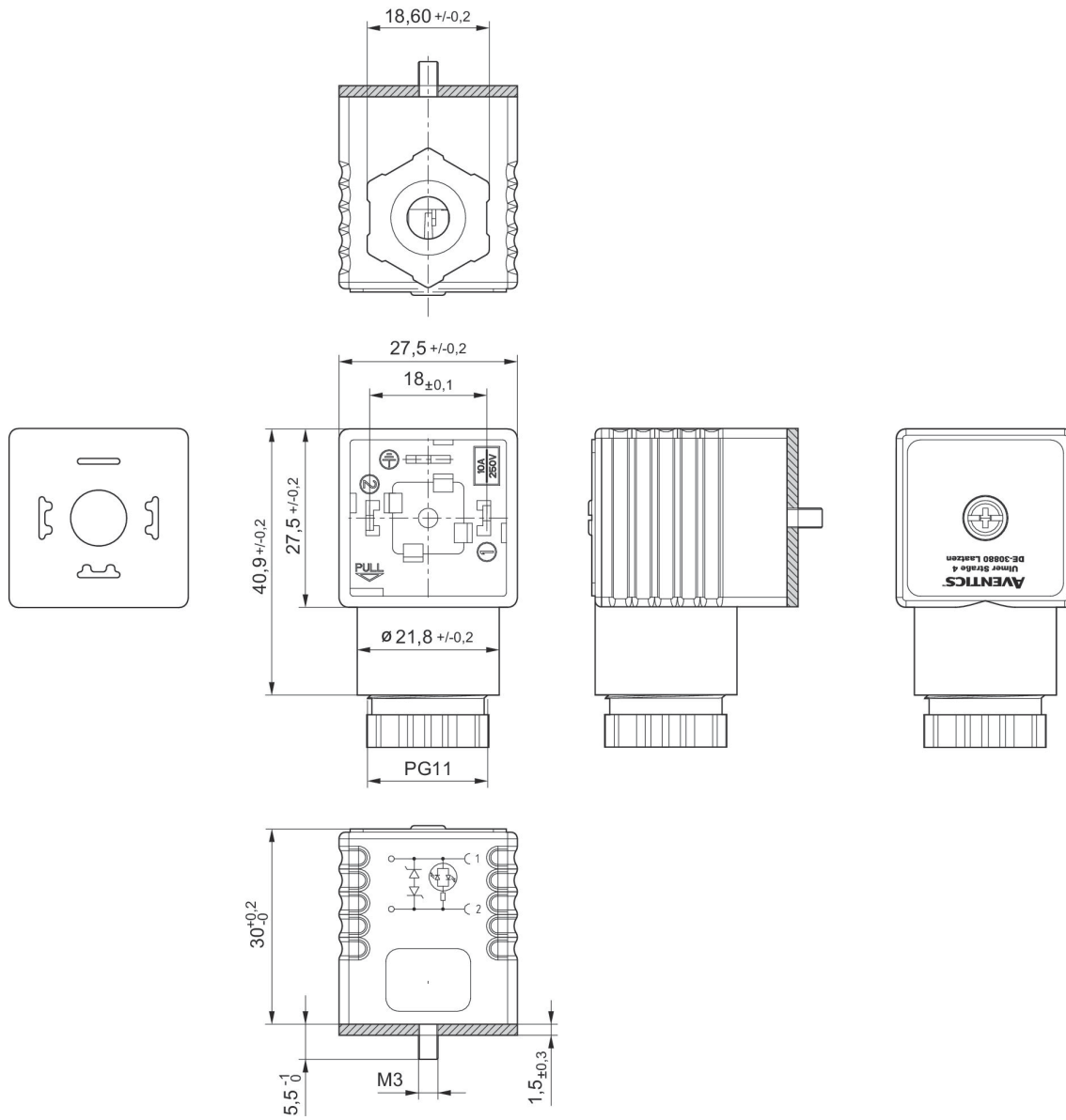
Valve plug connector, series CON-VP, form A, 115/230 V AC/DC

Electrical connection 1: EN 175301-803, form A
Ambient temperature min./max.: -40 °C ... 90 °C



	Operational voltage	Protective circuit	Contact assignment	LED status display	min. suitable cable Ø [mm]	max. suitable cable Ø [mm]	Part No.
	115 V AC/DC	Varistor	2+E	Red	6.5	9.5	1834484102
	230 V AC/DC	Varistor	2+E	Red	6.5	9.5	1834484103

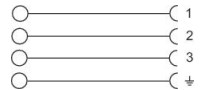
Dimensions



Profile seal

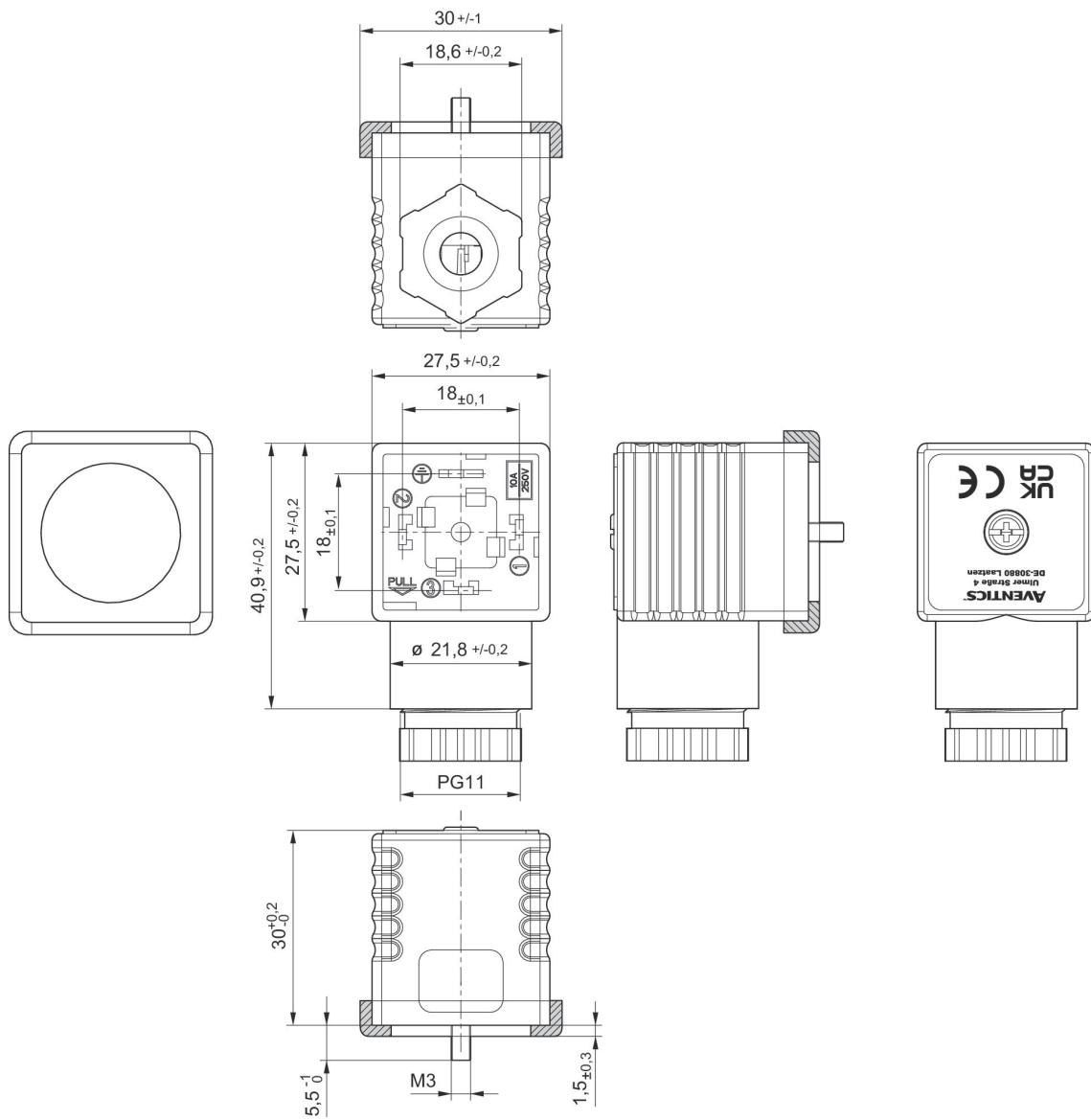
Valve plug connector, series CON-VP, Form A, 300 V DC / 250 V AC, 3-pin

Electrical connection 1: EN 175301-803, form A
Ambient temperature min./max.: -40 °C ... 90 °C



Operational voltage	Max. current [A]	Contact assignment	min. suitable cable Ø [mm]	max. suitable cable Ø [mm]	Part No.
300 V DC / 250 V AC	10	3+E	4	9.5	1834484059

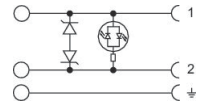
Dimensions



Profile seal

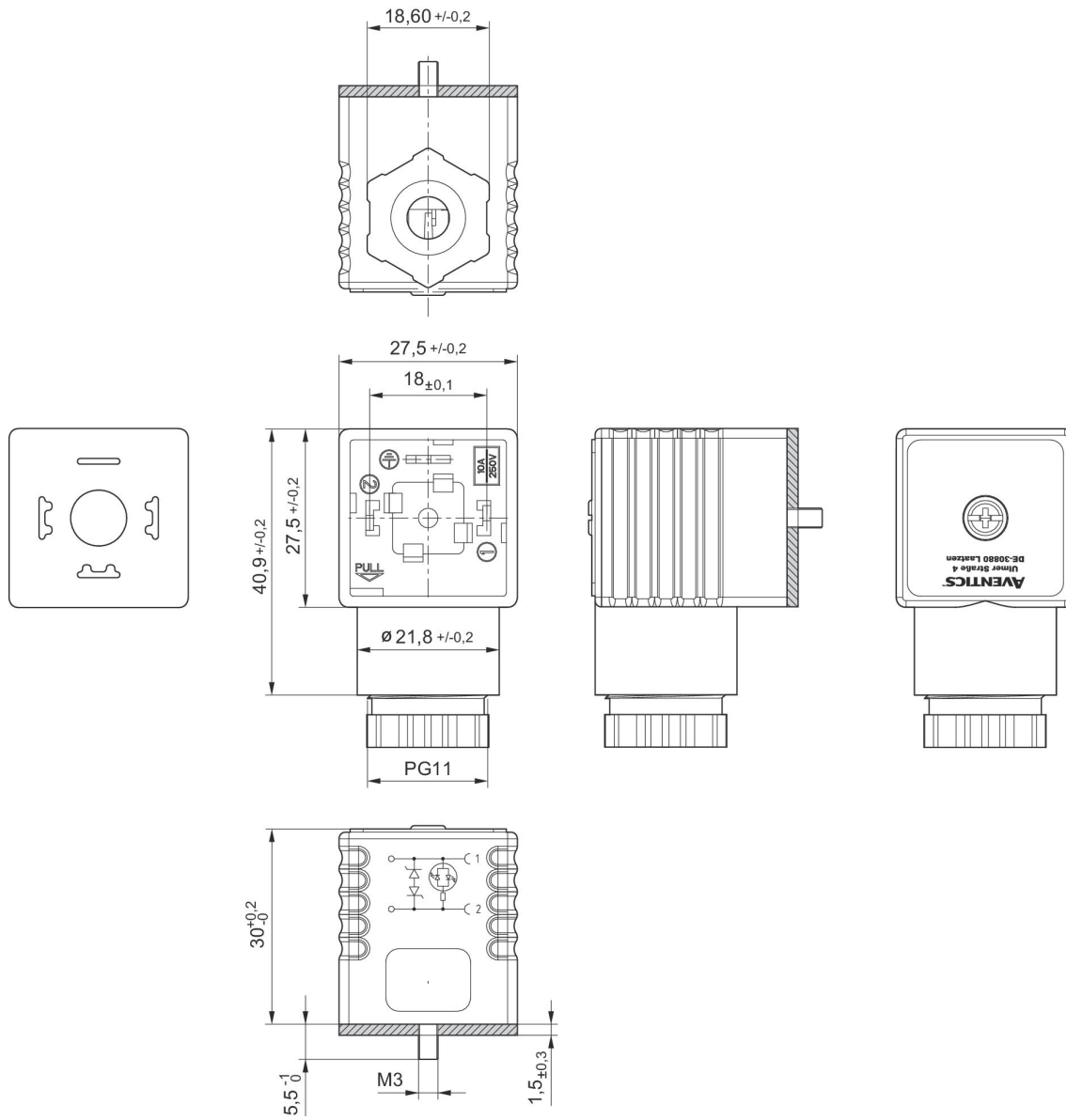
Valve plug connector, series CON-VP, Form A, 24 V AC/DC, Flat gasket

Electrical connection 1: EN 175301-803, form A
Ambient temperature min./max.: -40 °C ... 90 °C



Operational voltage	Protective circuit	Max. current [A]	Contact assignment	LED status display	min. suitable cable Ø [mm]	max. suitable cable Ø [mm]	Part No.
24 V AC/DC	2 Z-diodes	1.5	2+E	Yellow	4	9.5	1834484101

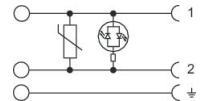
Dimensions



Profile seal

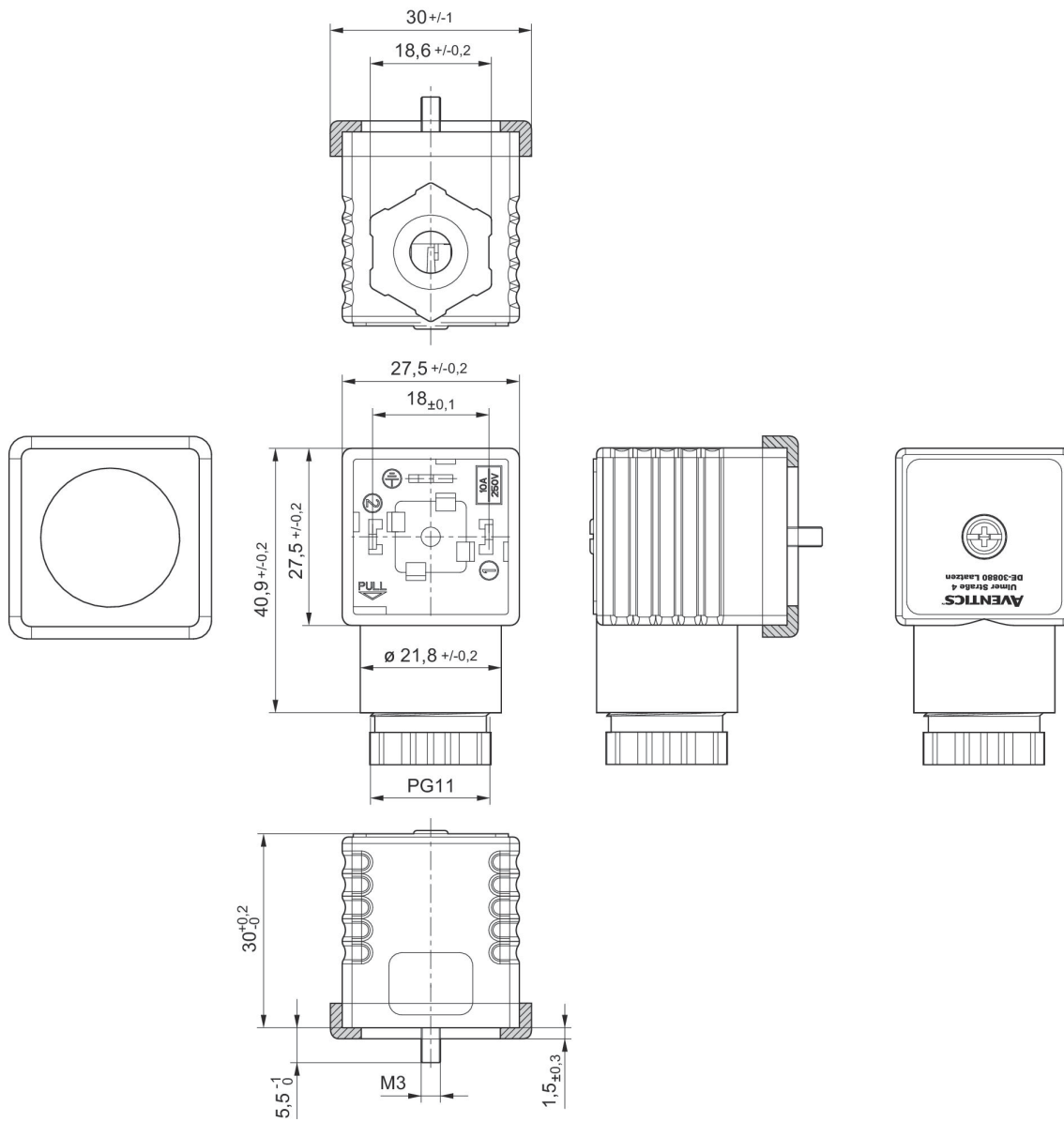
Valve plug connector, series CON-VP, Form A, 24 V AC/DC, Profile seal

Electrical connection 1: EN 175301-803, form A
Ambient temperature min./max.: -40 °C ... 90 °C



Operational voltage	Protective circuit	Max. current [A]	Contact assignment	LED status display	min. suitable cable Ø [mm]	max. suitable cable Ø [mm]	Part No.
24 V AC/DC	Varistor	1.5	2+E	Green	4	9.5	8941016102

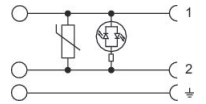
Dimensions



Profile seal

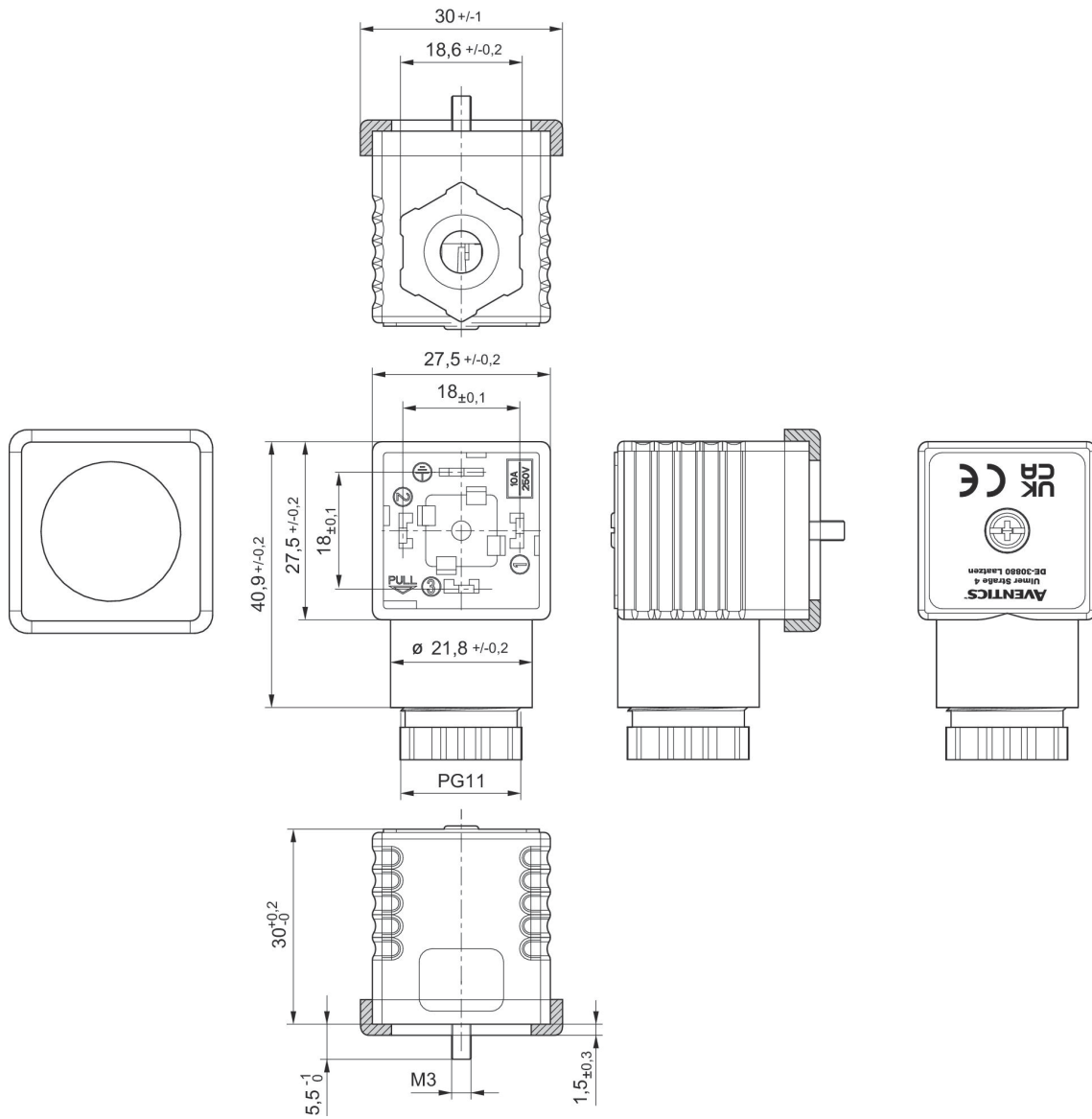
Valve plug connector, series CON-VP, Form A, 230 V AC/DC, Profile seal

Electrical connection 1: EN 175301-803, form A
Ambient temperature min./max.: -40 °C ... 90 °C



Operational voltage	Protective circuit	Contact assignment	LED status display	min. suitable cable Ø [mm]	max. suitable cable Ø [mm]	Part No.
230 V AC/DC	Varistor	2+E	Green	6.5	9.5	8941016112

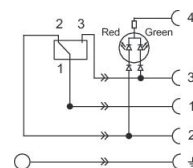
Dimensions



Profile seal

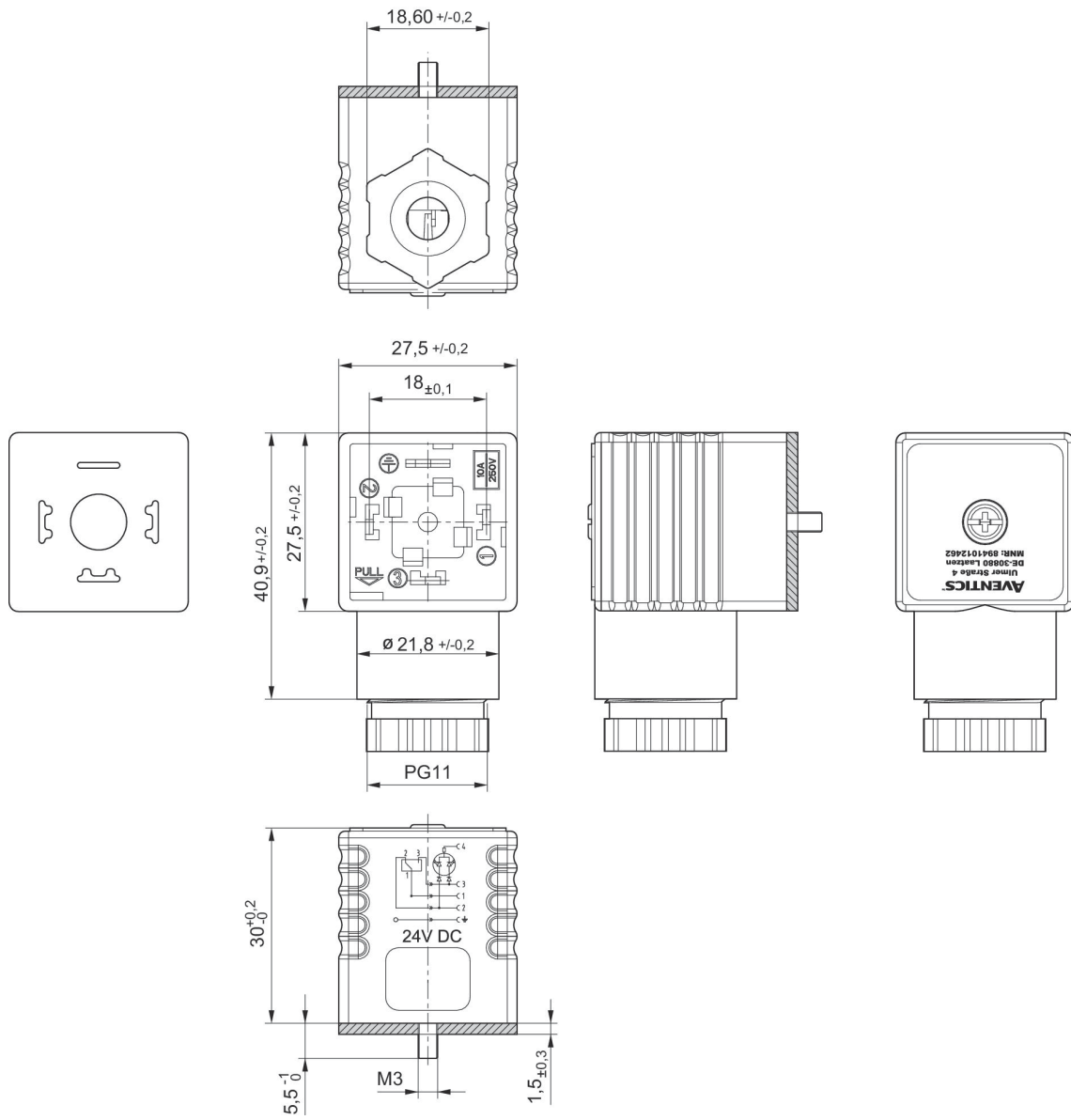
Valve plug connector, series CON-VP, Form A, 24 V DC

Electrical connection 1: EN 175301-803, form A
Ambient temperature min./max.: -40 °C ... 90 °C



Operational voltage	Protective circuit	Max. current [A]	Contact assignment	LED status display	min. suitable cable Ø [mm]	max. suitable cable Ø [mm]	Part No.
24 V DC	2 diodes (1 A)	1	3+E	green/red	4	9.5	8941012462

Dimensions



Profile seal

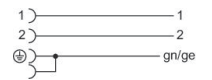
Valve plug connector with cable series CON-VP, Form A

Electrical connection 1: Socket ... form A ... 2+E ... angled

Electrical connection 2: open cable ends ... 3-pin

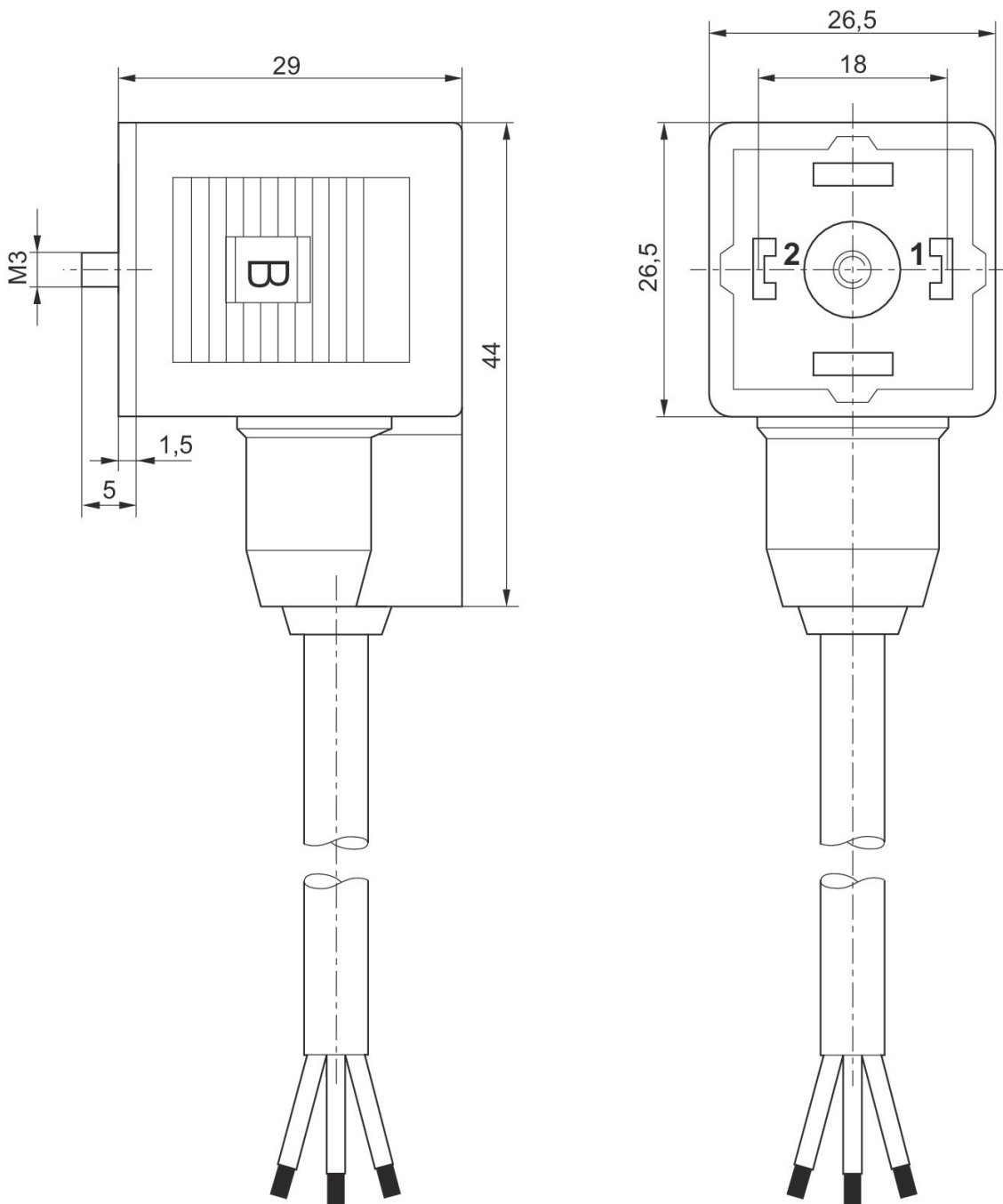
Shielding: unshielded

Ambient temperature min./max.: -20 °C ... 80 °C



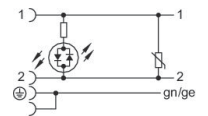
Operational voltage	Contact assignment	Cable-Ø [mm]	Cable length [m]	Part No.
230 V AC/DC	2+E	5.9	3	1834484160

Dimensions



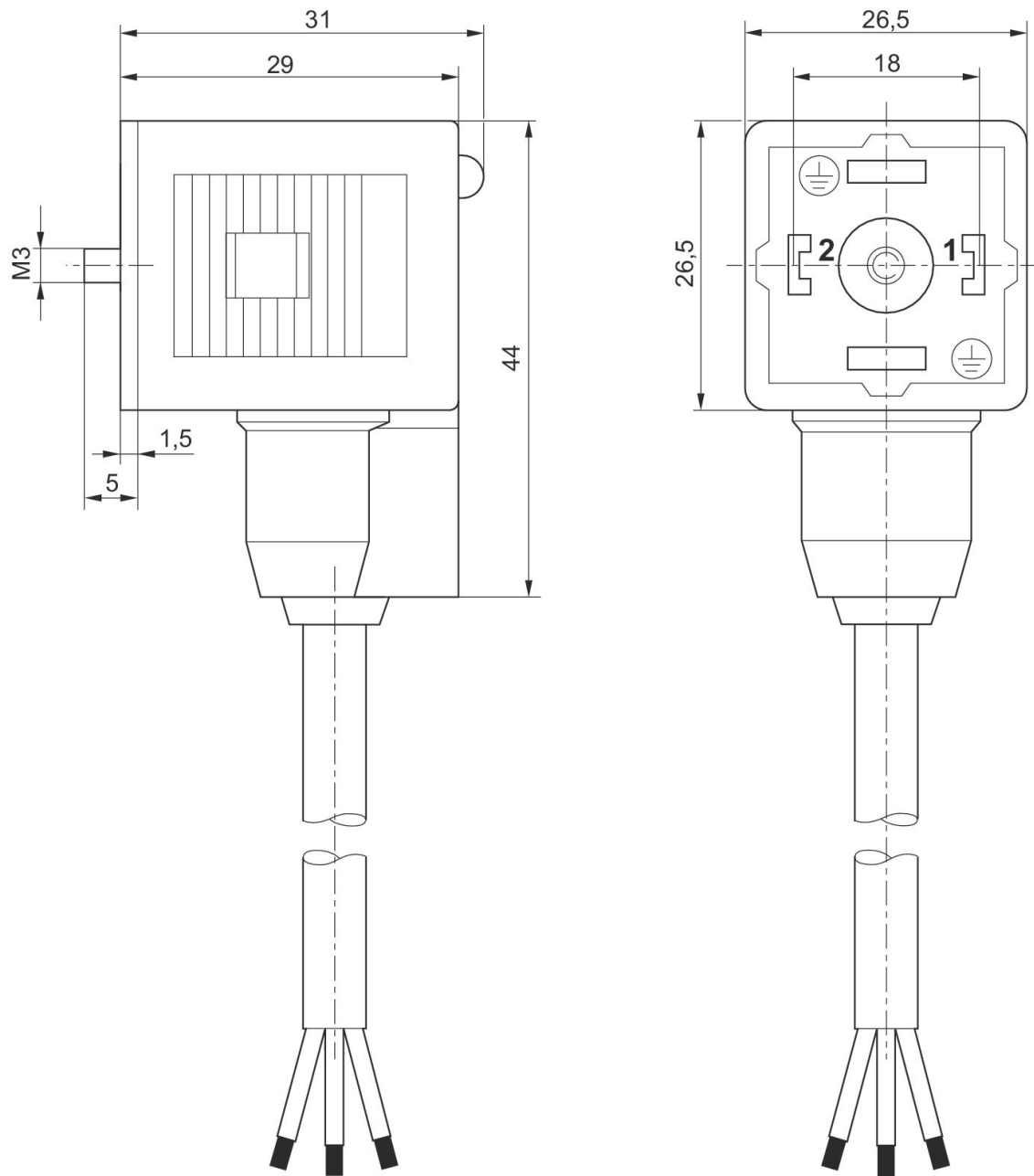
Valve plug connector with cable series CON-VP, Form A

Electrical connection 1: Socket ... form A ... 2+E ... angled
 Electrical connection 2: open cable ends ... 3-pin
 Shielding: unshielded
 Protective circuit: Varistor
 Ambient temperature min./max.: -20 °C ... 80 °C



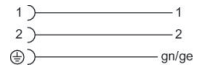
Operational voltage	Protective circuit	Contact assignment	LED status display	Cable-Ø [mm]	Cable length [m]	Part No.
24 V AC/DC	Z-diode	2+E	Yellow	5.9	3	1834484162
24 V AC/DC	Z-diode	2+E	Yellow	5.9	5	1834484163
230 V AC/DC	Varistor	2+E	Red	5.9	3	1834484164
230 V AC/DC	Varistor	2+E	Red	5.9	5	1834484165

Dimensions



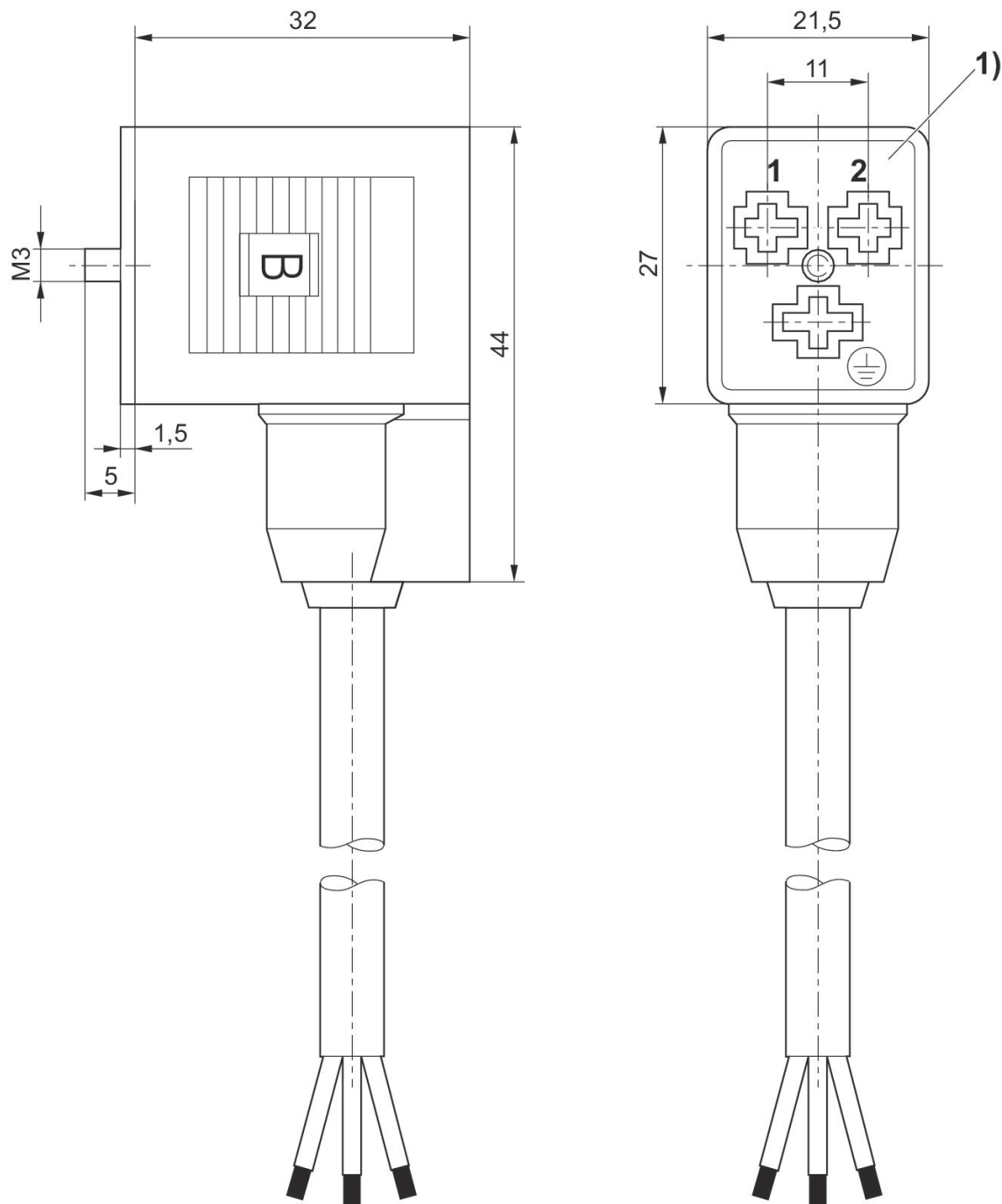
Valve plug connector with cable series CON-VP, Form B industry, 0° female insert

Electrical connection 1: Socket ... Form B, industry ... 2+E
 Electrical connection 2: open cable ends ... 3-pin
 Ambient temperature min./max.: -20 °C ... 80 °C



Max. current [A]	Contact assignment	Cable-Ø [mm]	Cable length [m]	Part No.
4	2+E	5.9	3	8946201912

Dimensions

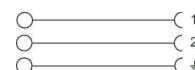


1) 0° female insert

Valve plug connector, series CON-VP, Form B, industry, 300 V DC / 250 V AC

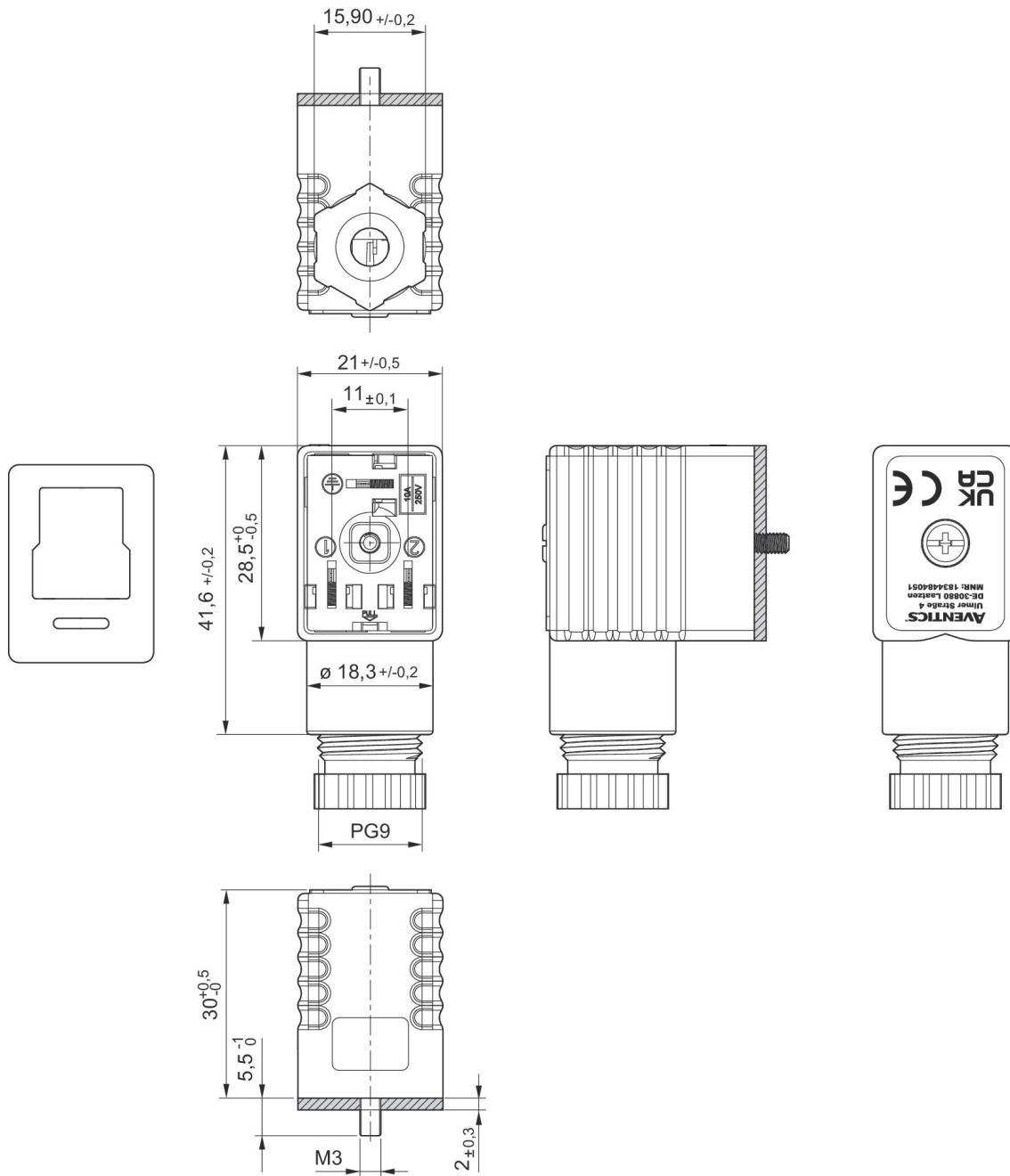
Electrical connection 1: Form B, industry

Ambient temperature min./max.: -40 °C ... 90 °C



Operational voltage	Max. current [A]	Contact assignment	min. suitable cable Ø [mm]	max. suitable cable Ø [mm]	Part No.
300 V DC / 250 V AC	10	2+E	4	8	1834484051

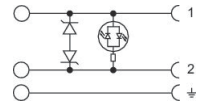
Dimensions



Profile seal

Valve plug connector, series CON-VP, Form B, industry, 24 V AC/DC

Electrical connection 1: Form B, industry
Ambient temperature min./max.: -40 °C ... 90 °C



Operational voltage	Protective circuit	Max. current [A]	Contact assignment	LED status display	min. suitable cable Ø [mm]	max. suitable cable Ø [mm]	Part No.
24 V AC/DC	2 Z-diodes	1.5	2+E	Yellow	4	8	1834484107

Valve plug connector, series CON-VP, Form B, industry, 115/230 V AC/DC

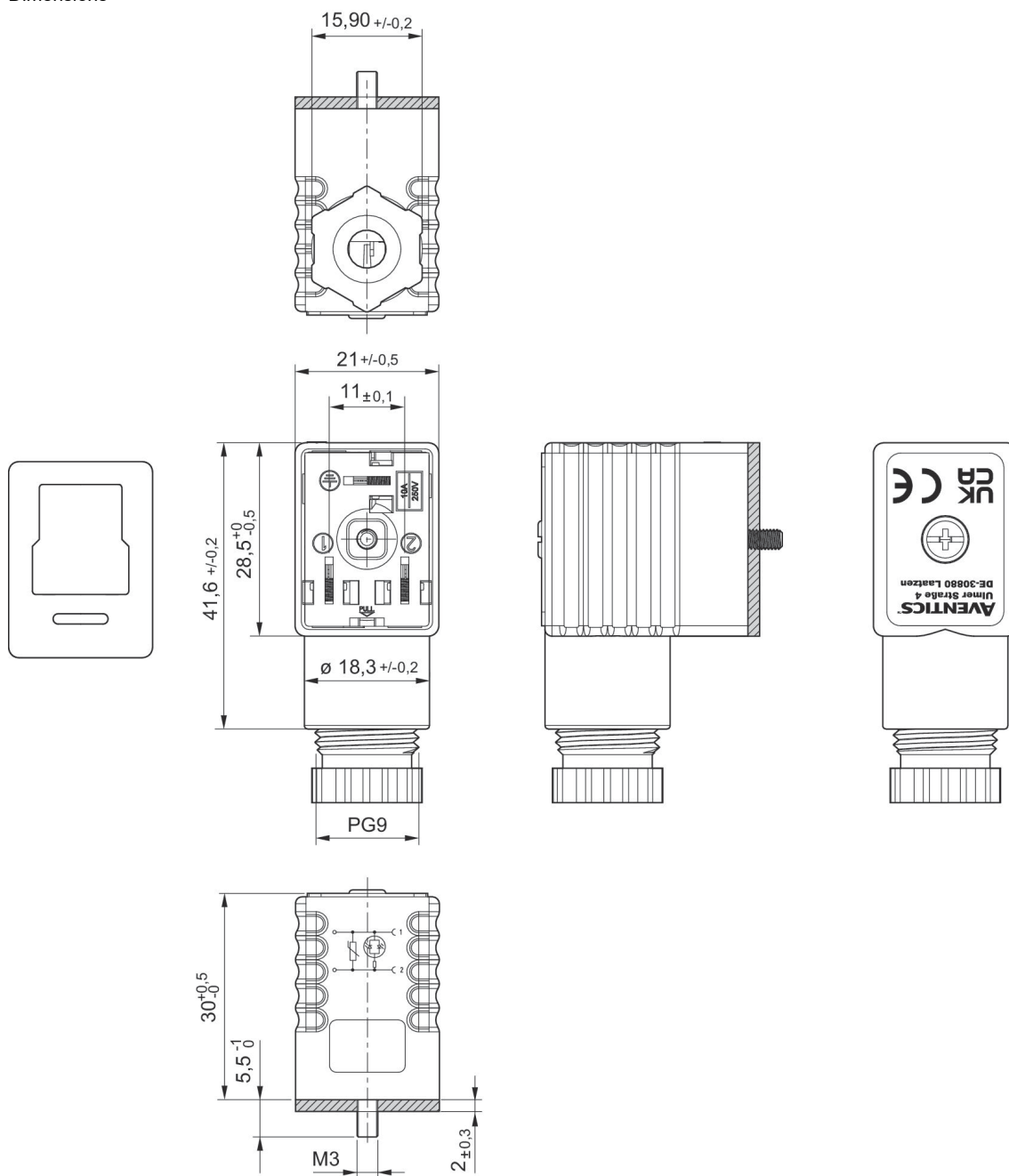
Electrical connection 1: Form B, industry

Ambient temperature min./max.: -40 °C ... 90 °C



	Operational voltage	Protective circuit	Max. current [A]	Contact assignment	LED status display	min. suitable cable Ø [mm]	max. suitable cable Ø [mm]	Part No.
	115 V AC/DC	Varistor	1.5	2+E	Red	4	8	1834484108
	230 V AC/DC	Varistor	1.5	2+E	Red	4	8	1834484109

Dimensions



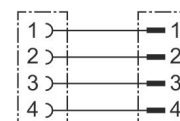
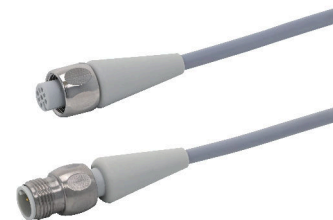
Profile seal

Round plug connector, Series CON-RD

Electrical connection 1: Plug ... M12x1 ... 4-pin ... A-coded ... straight ... 180°

Electrical connection 2: Socket ... M12x1 ... 4-pin ... A-coded ... straight

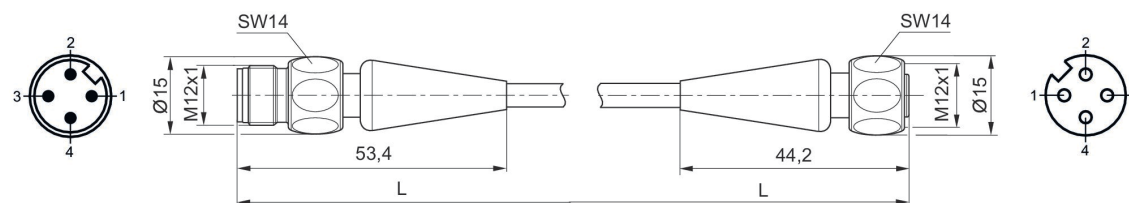
Ambient temperature min./max.: -25 °C ... 70 °C



Operational voltage	Electrical connection 1, type	Electrical connection 1, thread size	Electrical connection 1, number of poles	Electrical connection 1, coding	Electrical connection 2, type	Electrical connection 2, thread size	Electrical connection 2, number of poles	Part No.
240 V AC	Socket	M12x1	4-pin	A-coded	Plug	M12x1	4-pin	R402003760
240 V AC	Socket	M12x1	4-pin	A-coded	Plug	M12x1	4-pin	R402003761
240 V AC	Socket	M12x1	4-pin	A-coded	Plug	M12x1	4-pin	R402003762

Electrical connection 2, coding	Cable length [m]	Part No.
A-coded	5	R402003760
A-coded	10	R402003761
A-coded	15	R402003762

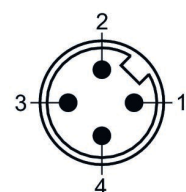
Dimensions



L = cable length

R402003760, R402003761, R402003762

Plug pin assignment

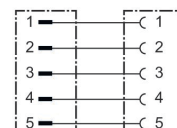


Round plug connector, Series CON-RD

Electrical connection 1: Plug ... M12x1 ... 5-pin ... A-coded ... angled ... 90°

Electrical connection 2: Socket ... M12x1 ... 5-pin ... A-coded ... straight

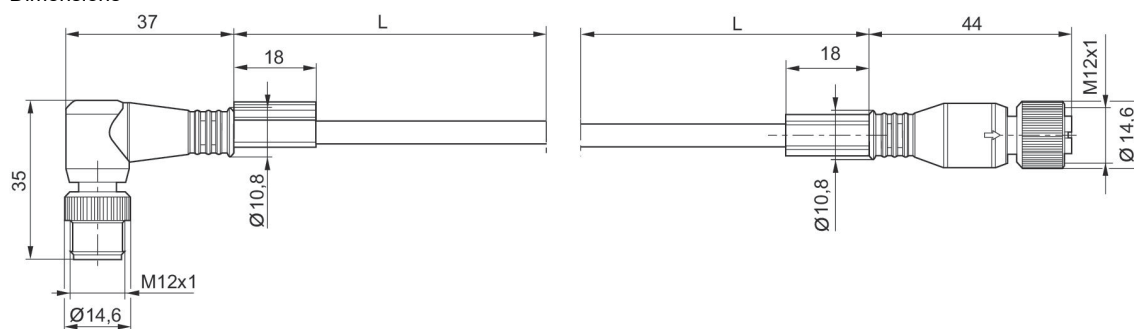
Ambient temperature min./max.: -25 °C ... 80 °C



Operational voltage	Electrical connection 1, type	Electrical connection 1, thread size	Electrical connection 1, number of poles	Electrical connection 1, coding	Electrical connection 2, type	Electrical connection 2, thread size	Electrical connection 2, number of poles	Part No.
48 V AC/DC	Socket	M12x1	5-pin	A-coded	Plug	M12x1	5-pin	R412021694
48 V AC/DC	Socket	M12x1	5-pin	A-coded	Plug	M12x1	5-pin	R412021695

Electrical connection 2, coding	Cable length [m]	Part No.
A-coded	2	R412021694
A-coded	5	R412021695

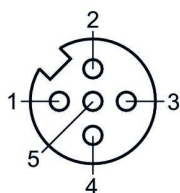
Dimensions



L = length

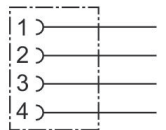
R412021694, R412021695

Pin assignment, socket



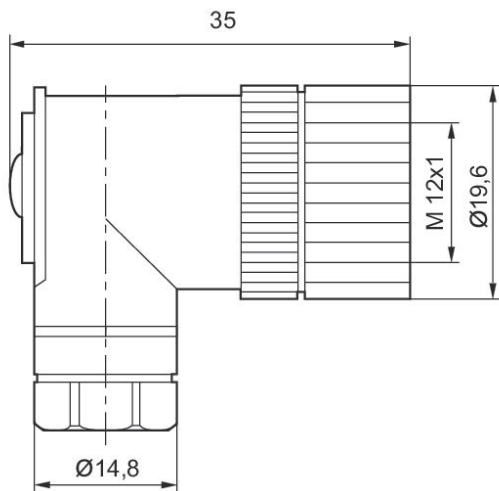
Round plug connector, Series CON-RD

Electrical connection 1: Socket ... M12x1 ... 4-pin ... A-coded ... angled
 Connection type: Screws
 Ambient temperature min./max.: -40 °C ... 85 °C



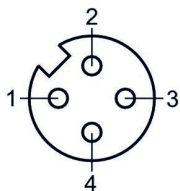
Operational voltage	Coding	Shielding	Connection type	Max. current [A]	min. suitable cable Ø [mm]	Part No.
48 V AC/DC	A-coded	unshielded	Screws	4	4	1834484178

Dimensions



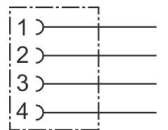
1834484178

Pin assignment, socket



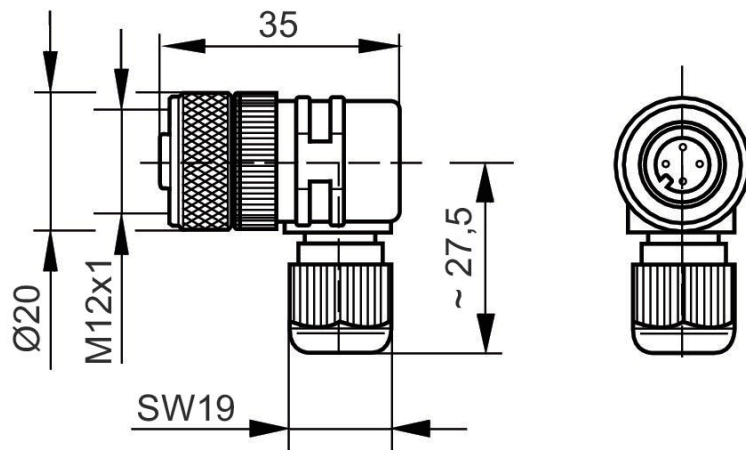
Round plug connector, Series CON-RD

Electrical connection 1: Socket ... M12x1 ... 4-pin ... A-coded ... angled
 Connection type: Screws
 Ambient temperature min./max.: -25 °C ... 90 °C



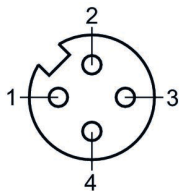
Operational voltage	Coding	Shielding	Connection type	Max. current [A]	min. suitable cable Ø [mm]	Part No.
48 V AC/DC	A-coded	unshielded	Screws	4	4	8941054424

Dimensions



8941054424

Pin assignment, socket

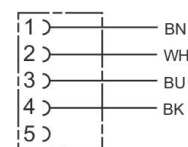


Round plug connector, Series CON-RD, open cable ends, straight

Electrical connection 1: Socket ... M12x1 ... 5-pin ... straight

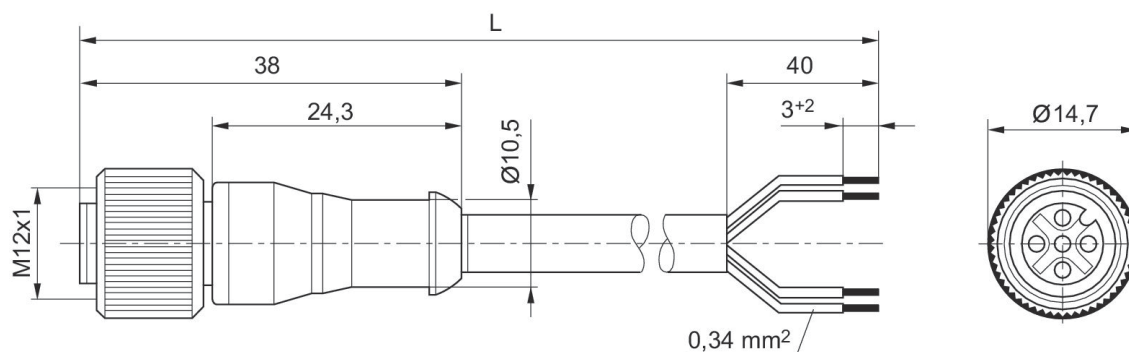
Electrical connection 2: without wire end ferrule, tin-plated ... 4-pin

Ambient temperature min./max.: -25 °C ... 70 °C



Operational voltage	Electrical connection 1, type	Electrical connection 1, thread size	Electrical connection 1, number of poles	Electrical connection 1, coding	Electrical connection 2, type	Electrical connection 2, number of poles	Cable length [m]	Part No.
48 V AC/DC	Socket	M12x1	5-pin	A-coded	open cable ends	4-pin	3	1834484256
48 V AC/DC	Socket	M12x1	5-pin	A-coded	open cable ends	4-pin	5	1834484257
48 V AC/DC	Socket	M12x1	5-pin	A-coded	open cable ends	4-pin	10	1834484258

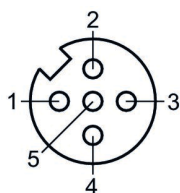
Dimensions



L = length

1834484256, 1834484257, 1834484258

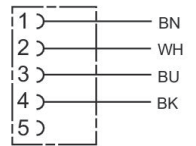
Pin assignment, socket



(1) BN=brown (2) WH=white (3) BU=blue (4) BK=black
(5) not assigned

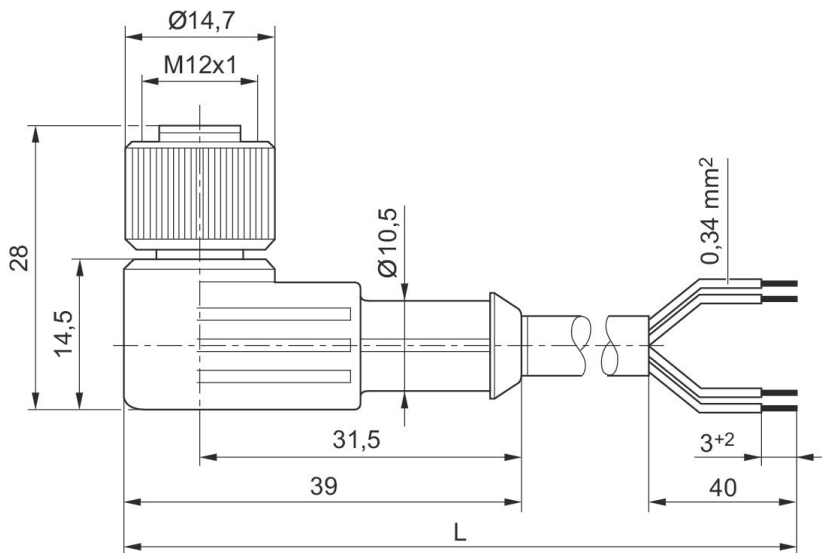
Round plug connector, Series CON-RD, 5-pin, angled, unshielded

Electrical connection 1: Socket ... M12x1 ... 5-pin ... angled
 Electrical connection 2: without wire end ferrule, tin-plated ... 4-pin
 Ambient temperature min./max.: -40 °C ... 85 °C



Operational voltage	Electrical connection 1, type	Electrical connection 1, thread size	Electrical connection 1, number of poles	Electrical connection 1, coding	Electrical connection 2, type	Electrical connection 2, number of poles	Cable length [m]	Part No.
48 V AC/DC	Socket	M12x1	5-pin	A-coded	open cable ends	4-pin	3	1834484259
48 V AC/DC	Socket	M12x1	5-pin	A-coded	open cable ends	4-pin	5	1834484260
48 V AC/DC	Socket	M12x1	5-pin	A-coded	open cable ends	4-pin	10	1834484261

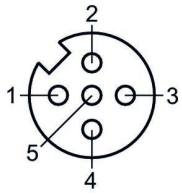
Dimensions



L = length

1834484259, 1834484260, 1834484261

Pin assignment, socket



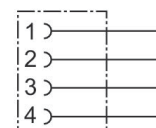
(1) BN=brown (2) WH=white (3) BU=blue (4) BK=black
(5) not assigned

Round plug connector, Series CON-RD

Electrical connection 1: Socket ... M12x1 ... 4-pin ... A-coded ... straight

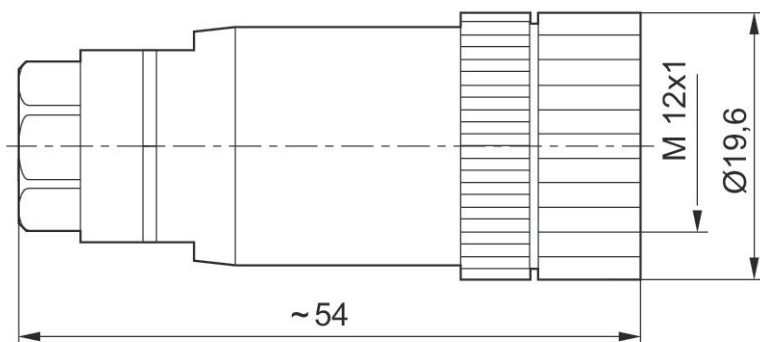
Connection type: Screws

Ambient temperature min./max.: -40 °C ... 85 °C



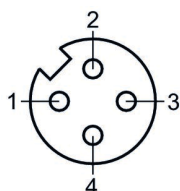
Operational voltage	Coding	Shielding	Connection type	Max. current [A]	min. suitable cable Ø [mm]	max. suitable cable Ø [mm]	Part No.
48 V AC/DC	A-coded	unshielded	Screws	4	4	6	1834484177

Dimensions



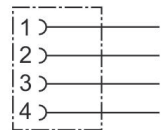
1834484177

Pin assignment, socket



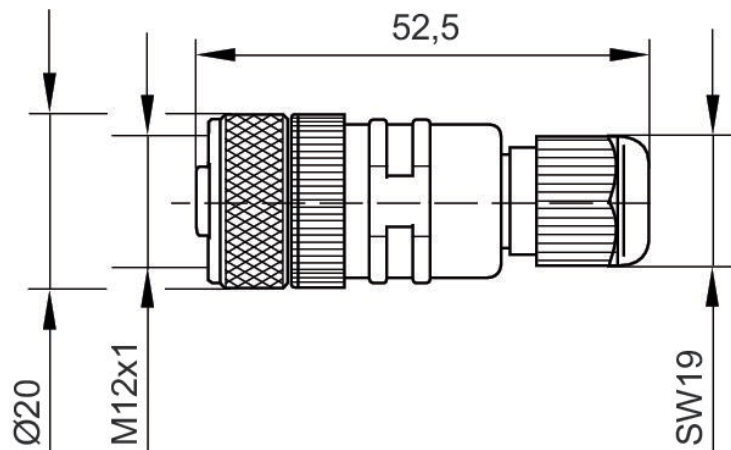
Round plug connector, Series CON-RD

Electrical connection 1: Socket ... M12x1 ... 4-pin ... A-coded ... straight
 Connection type: Screws
 Ambient temperature min./max.: -25 °C ... 90 °C



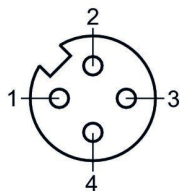
Operational voltage	Coding	Shielding	Connection type	Max. current [A]	min. suitable cable Ø [mm]	Part No.
48 V AC/DC	A-coded	unshielded	Screws	4	4	8941054324

Dimensions



8941054324

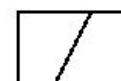
Pin assignment, socket



Coil, Series CO1, with cable, ATEX

Coil width: 30 mm

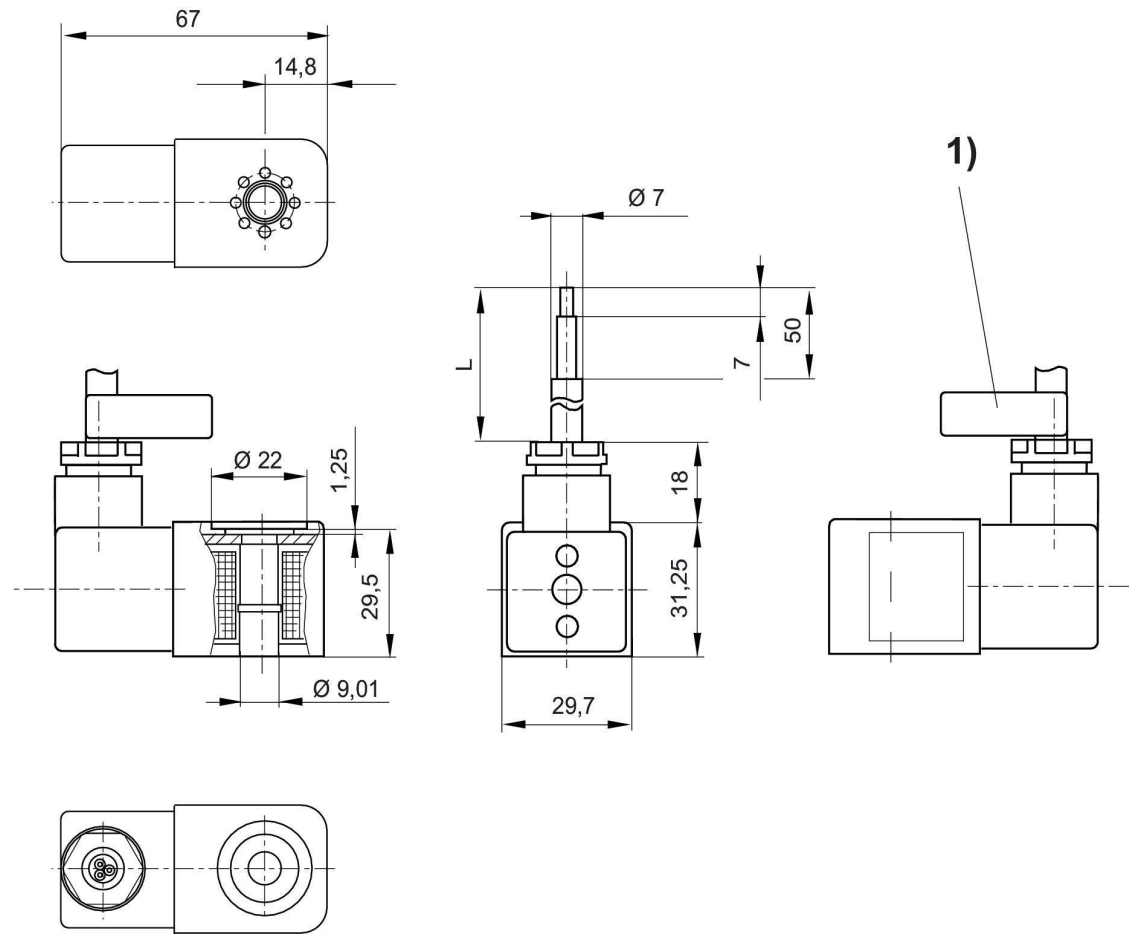
Ambient temperature min./max.: -20 °C ... 50 °C



Operational voltage DC	Operational voltage AC at 50 Hz	Operational voltage AC at 60 Hz	Voltage tolerance DC	Voltage tolerance AC 50 Hz	Power consumption DC [W]	Holding power AC 50 Hz [VA]	Switch-on power AC 50 Hz [VA]	Part No.
	230 V	230 V		-10 % / +10 %		3	3.1	1827414297
	230 V	230 V		-10 % / +10 %		3	3.1	1827414298
	110 V	110 V		-10 % / +10 %		2.9	3	1827414299
24 V			-10 % / +10 %		3.25			1827414303
24 V			-10 % / +10 %		3.25			1827414304

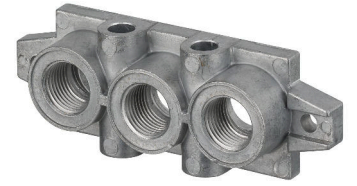
Cable length [m]	Compatibility index	Part No.
3	14	1827414297
10	14	1827414298
3	14	1827414299
3	14	1827414303
10	14	1827414304

Dimensions

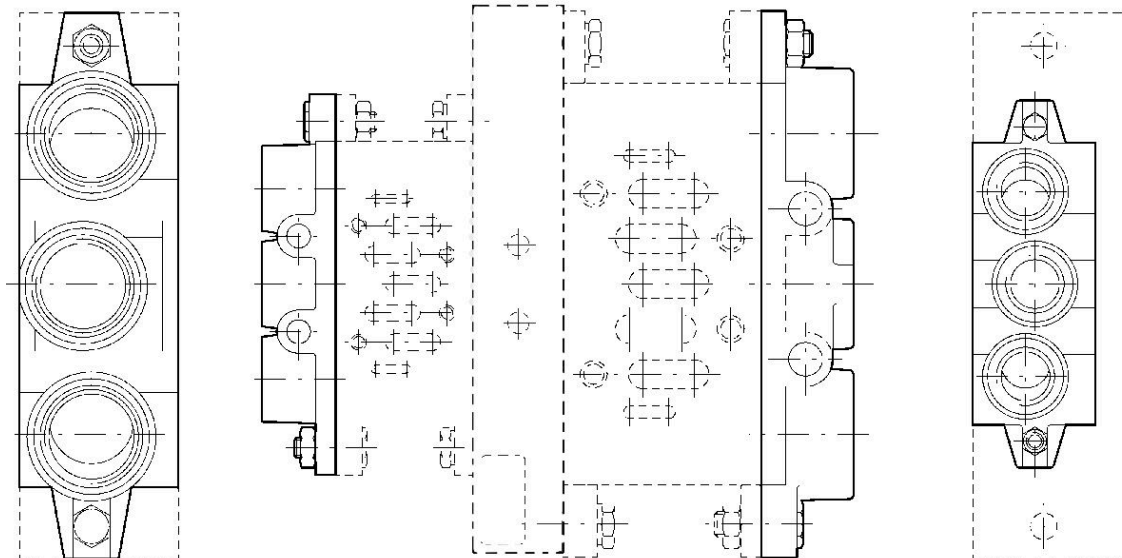


L = cable length
1) Cable ID band with serial number

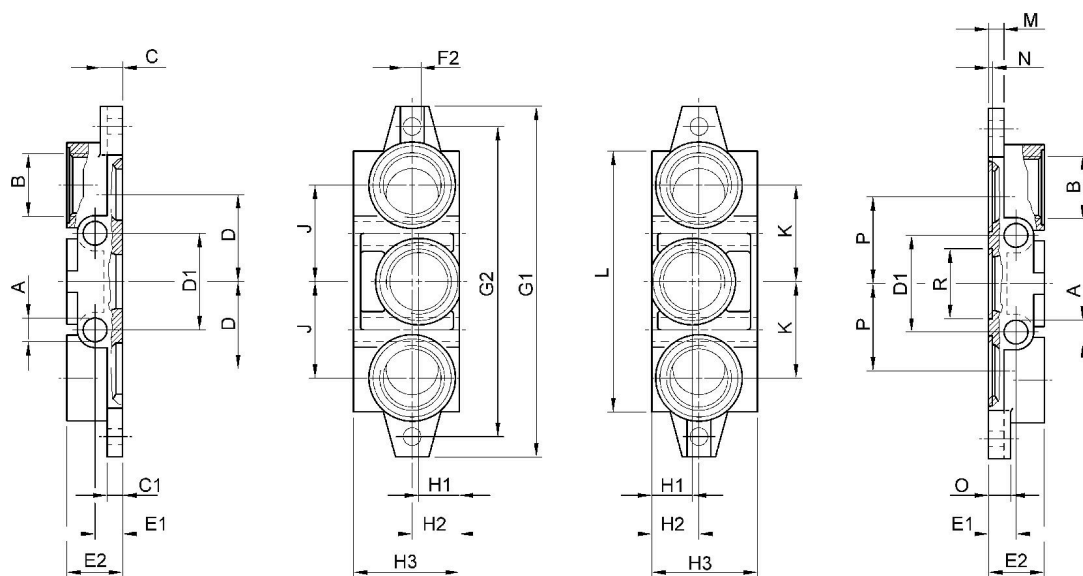
End plates for adapter plate



Frame size	Min. ambient temperature [°C]	Max. ambient temperature [°C]	Part No.
ISO 1, ISO 3	-15	70	1825503243
ISO 2, ISO 3	-15	70	1825503245



Dimensions



	A	B	C	C1	D	D1	E1	E2	F2
ISO 1	7	G 3/8	8	6	24	28	11	22	Ø 5,5
ISO 2	9	G 1/2	11	8	31,5	35	13	26	Ø 6,6
ISO 3	12	G 1	12	8	47	52	15	32	Ø 9

	G1	G2	H1	H2	H3	J	K	L	M	N
	110	95	22	22	46	28	28	85	6	2
	135	115	23	24	47	34	34	100	8	2
	190	168	22	25	56	52	52	140	8	2,7

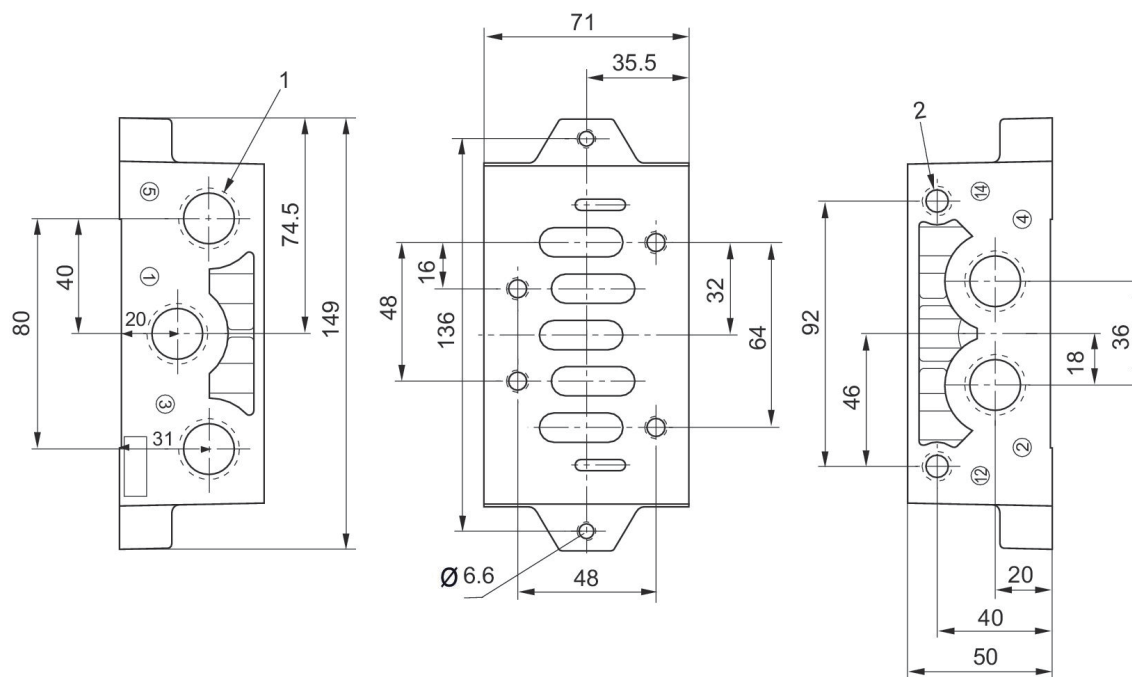
	O	P	R
	8	24	Ø 22,1
	11	31,5	Ø 28,7
	12	47	Ø 38

Base plate



Frame size	Min. ambient temperature [°C]	Max. ambient temperature [°C]	Compressed air connection input	Compressed air connection output	Compressed air connection, exhaust	Part No.
ISO 3	10	200	G 3/4	G 3/4	G 3/4	R432009166

Dimensions in mm



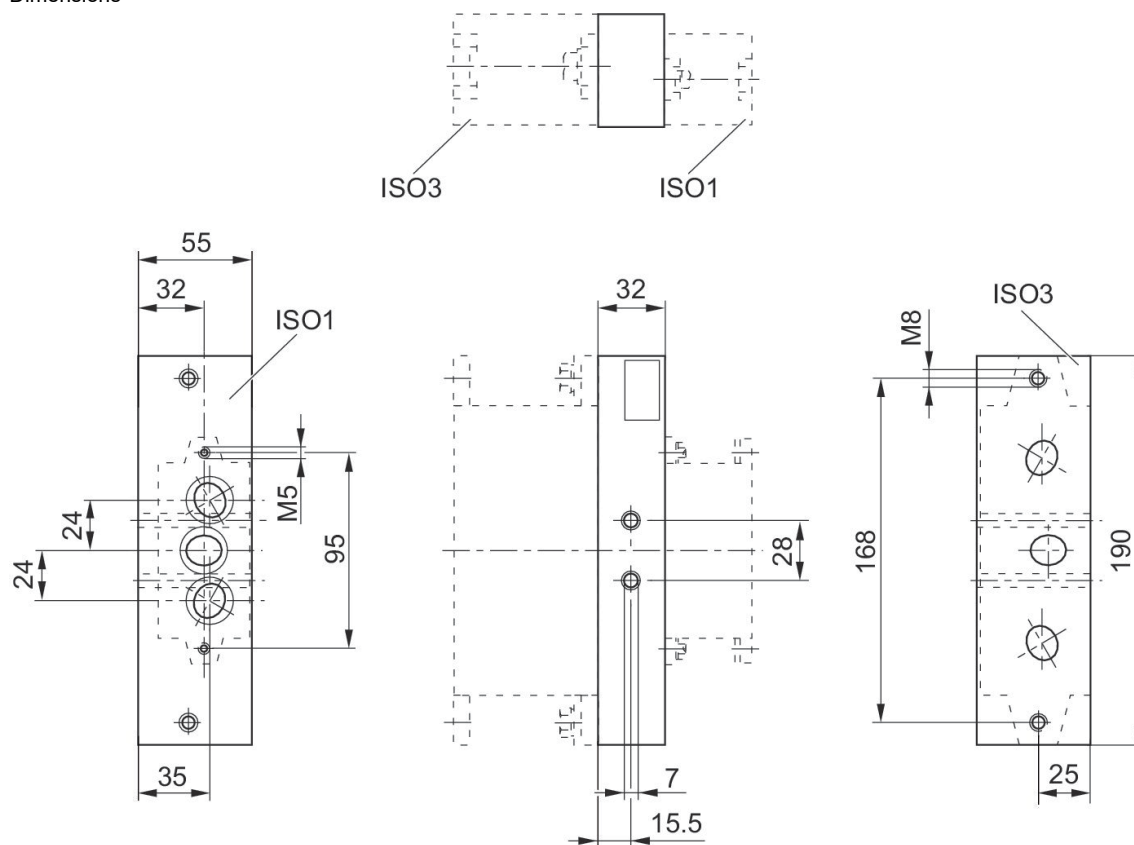
- 1) Connections [1 ,3 ,5, 2, 4]
- 2) Connections [12, 14] G 1/8

Transition plate, ISO 1 > ISO 3



Frame size	Min. ambient temperature [°C]	Max. ambient temperature [°C]	Part No.
ISO 1 > ISO 3	-15	70	1825503166

Dimensions

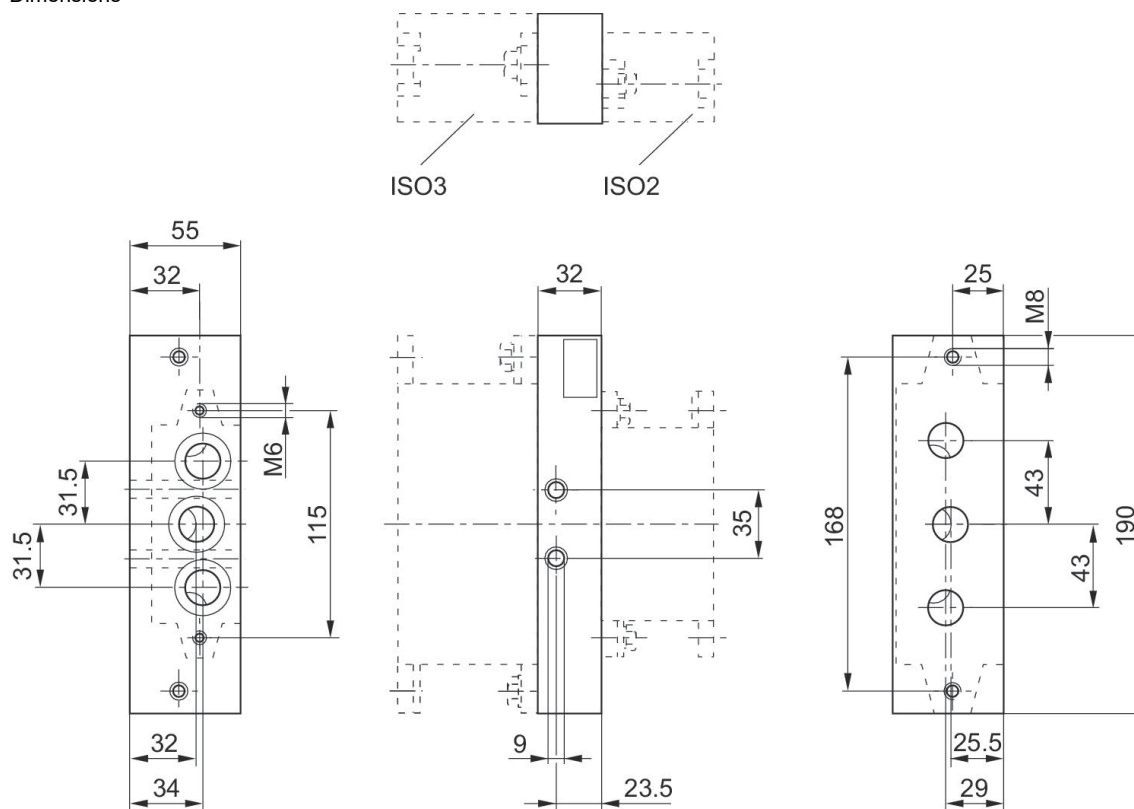


Transition plate, ISO 2 > ISO 3



Frame size	Min. ambient temperature [°C]	Max. ambient temperature [°C]	Part No.
ISO 2 > ISO 3	-15	70	1825503165

Dimensions

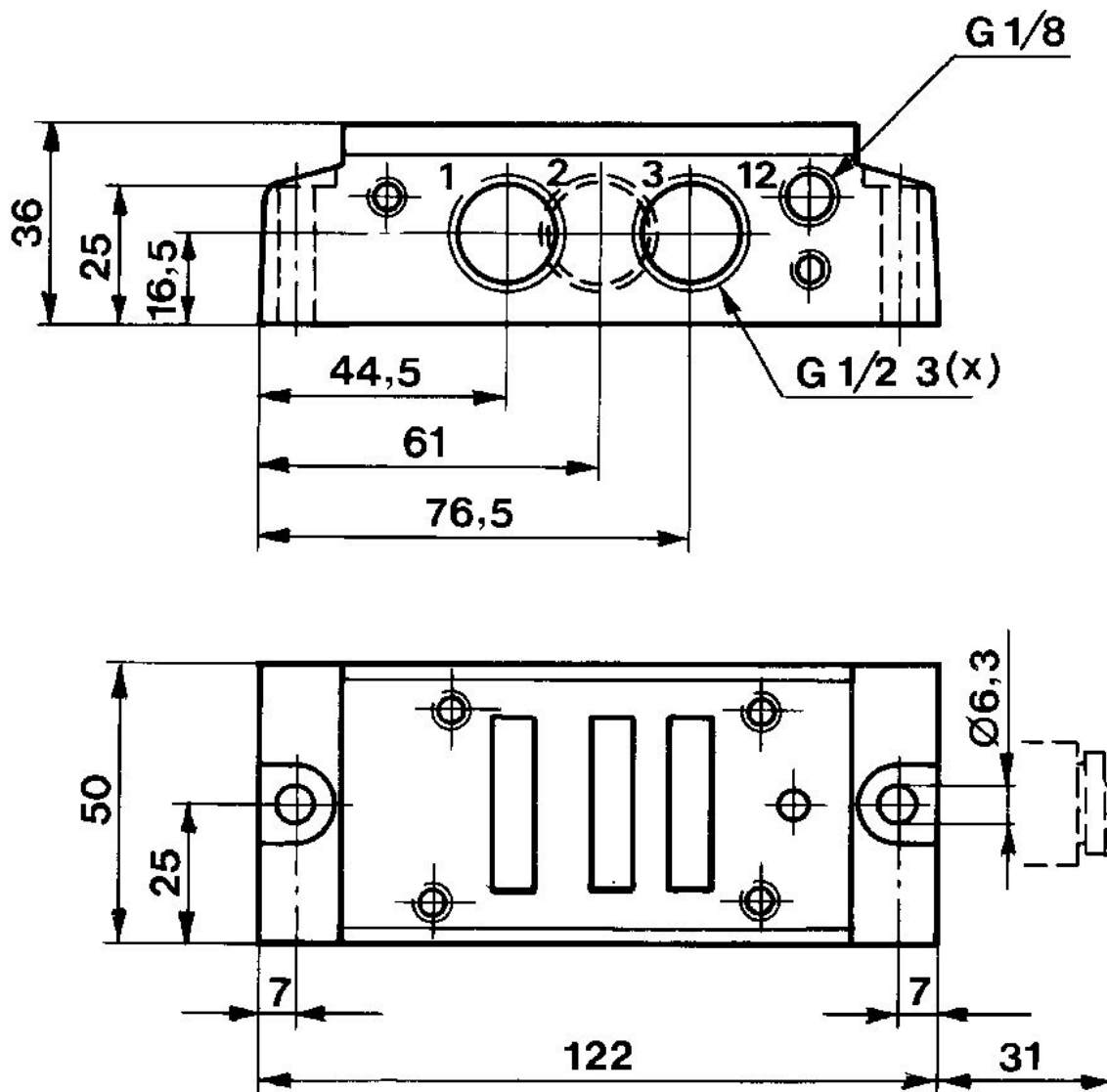


Single subbase, for soft-start valve



Min. ambient temperature [°C]	Max. ambient temperature [°C]	Compressed air connection input	Compressed air connection output	Compressed air connection, exhaust	Compressed air connection pilot air	Max. number of valve positions	Part No.
-20	70	G 1/2	G 1/2	G 1/2	G 1/8	1	5834710000

Dimensions

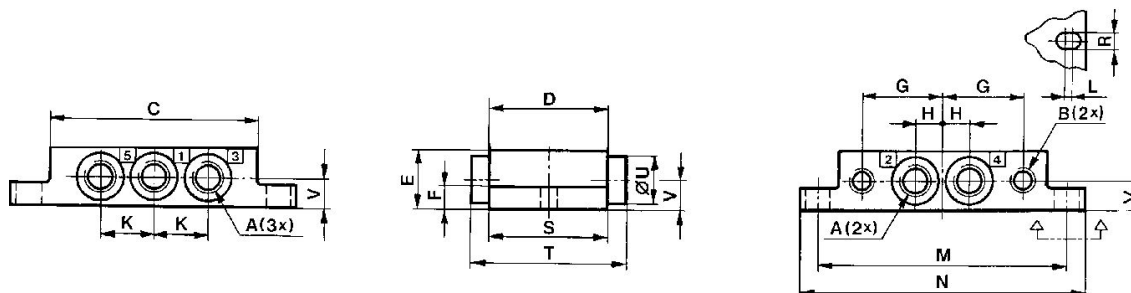


Single subbase, ports on side



Frame size	Min. ambient temperature [°C]	Max. ambient temperature [°C]	Compressed air connection input	Compressed air connection output	Compressed air connection, exhaust	Compressed air connection pilot air	Max. number of valve positions	Part No.
ISO 3	-20	70	G 3/8	G 3/8	G 3/8	G 1/8	1	5803710000

Dimensions



Part No.	A *)	B *)	C	D	E	F	G	H	K
5801710000	G 1/8	G 1/8	70	40	20	8	26.5	9	18
5801740000	G 1/4	G 1/8	70	40	23	11	31.5	11.5	23
5802710000	G 1/4	G 1/8	86	52	23	8	34	12	24
5802740000	G 3/8	G 1/8	86	50	30	13	39	15	30
5803710000	G 3/8	G 1/8	118	65	32	10	45	16	32
5804710000	G 1/2	G 1/8	142	76	37	10	55.5	20	40

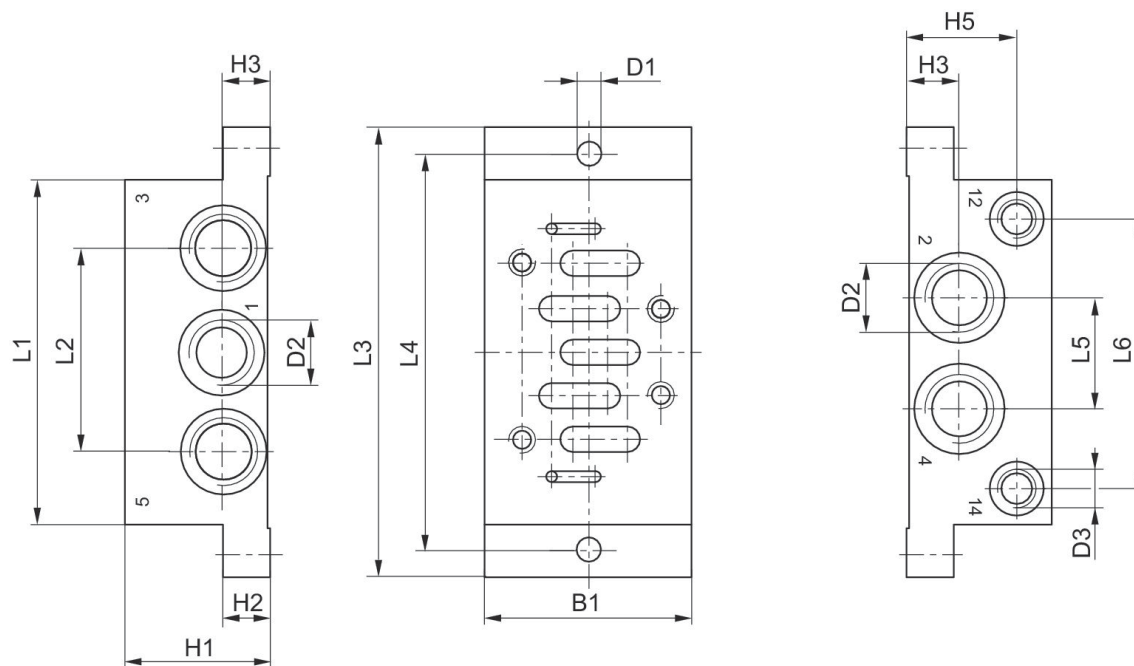
L	M	N	R	S	T	U	V
2	84	96	5.4	40	-	-	10
2	96	110	5.4	46	64	21	12
2	102	115	6.4	52	-	-	11.5
2	111	124	6.4	56	80	27	16
2	138	153	8.4	65	-	-	17.5
2	175	190	8.4	76	-	-	21

*) Ports

Single subbase, thread connections on the side



Frame size	Min. ambient temperature [°C]	Max. ambient temperature [°C]	Compressed air connection input	Compressed air connection output	Compressed air connection, exhaust	Compressed air connection pilot air	Max. number of valve positions	Part No.
ISO 3	-25	70	G 1/2	G 1/2	G 1/2	G 1/8	1	1825503149



Part No.	ISO 3	B1	H1	H2	H3	H5	D1	D2 *)	D3 *)
1825503149	ISO 3	71	32	18	17	22	6.6	G 1/2	G 1/8

Part No.	L1	L2	L3	L4	L5	L6
1825503149	119	68	149	136	32	90

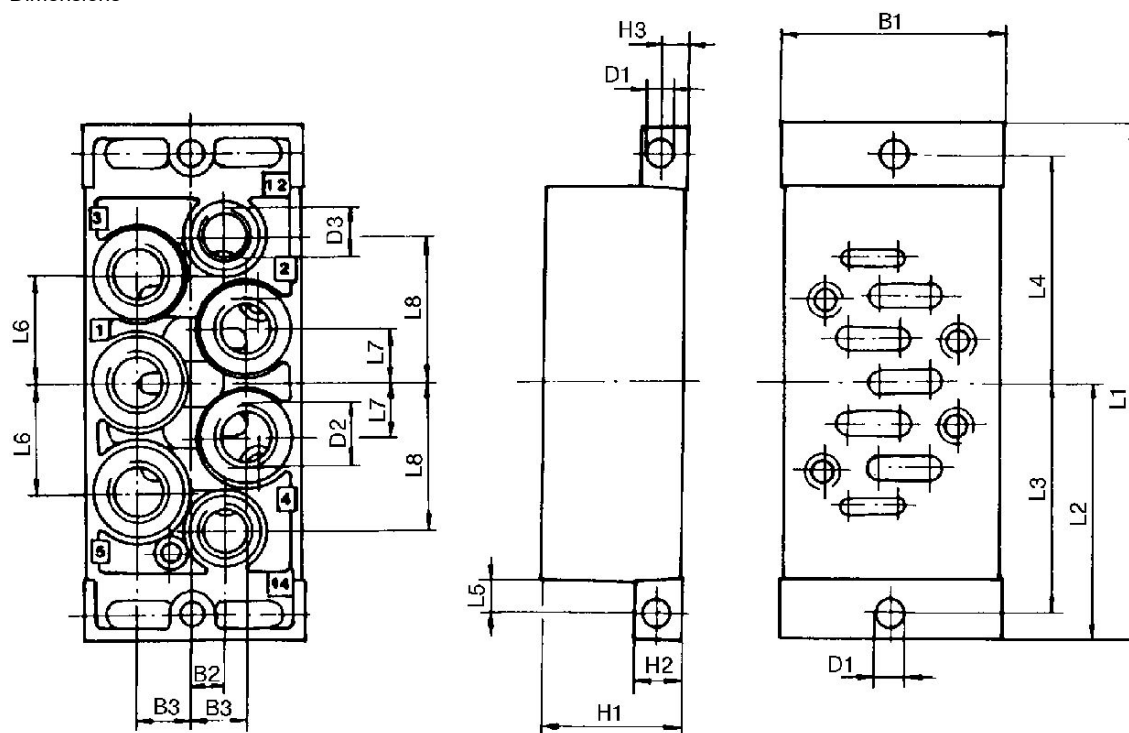
*) Ports

Single subbase, thread connections on the bottom



Frame size	Min. ambient temperature [°C]	Max. ambient temperature [°C]	Compressed air connection input	Compressed air connection output	Compressed air connection, exhaust	Compressed air connection pilot air	Max. number of valve positions	Part No.
ISO 1	-25	70	G 1/4	G 1/4	G 1/4	G 1/8	1	1825503201
ISO 2	-25	70	G 3/8	G 3/8	G 3/8	G 1/8	1	1825503202
ISO 3	-25	70	G 1/2	G 1/2	G 1/2	G 1/8	1	1825503203

Dimensions



Part No.		B1	B2	B3	D1	D2 *)	D3 *)	H1	H2
1825503201	ISO 1	46	7	11.5	5.5	G 1/4	G 1/8	30	10
1825503202	ISO 2	56	8	13.5	6.6	G 3/8	G 1/8	35	13
1825503203	ISO 3	77	10	17	6.6	G 1/2	G 1/8	32	18

Part No.	H3	L1	L2	L3	L4	L5	L6	L7	L8
1825503201	5	110	55	49	49	7	23	11,5	31
1825503202	6,5	124	62	56	56	8,5	28	14	36,5
1825503203	9	149	74.5	68	68	8.5	34	17	45

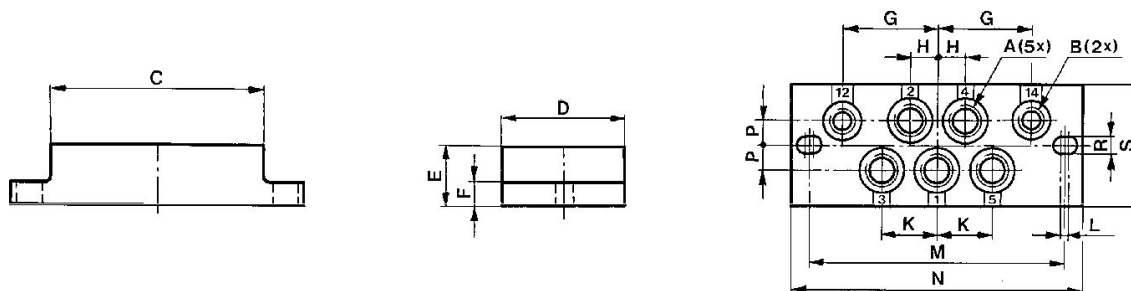
*) Ports

Single subbase, ports on bottom



Frame size	Min. ambient temperature [°C]	Max. ambient temperature [°C]	Compressed air connection input	Compressed air connection output	Compressed air connection, exhaust	Compressed air connection pilot air	Max. number of valve positions	Part No.
ISO 3	-20	70	G 3/8	G 3/8	G 3/8	G 1/8	1	5803700000

Dimensions



Part No.	A *)	B *)	C	D	E	F	G	H	K
5801700000	G1/8	G1/8	70	40	20	8	26.5	9	18
5801800000	Ø 6	Ø 4	70	40	20	8	26.5	9	18
5802700000	G1/4	G1/8	86	52	22	8	34	12	24
5802800000	Ø 8	Ø 6	86	52	22	8	34	12	24
5803700000	G3/8	G1/8	118	65	32	10	45	16	32
5804700000	G1/2	G1/8	142	76	37	10	55.5	20	40

L	M	N	P	R	S
2	84	96	8	5.4	40
2	84	96	8	5.4	40
2	102	115	10	6.4	52
2	102	115	10	6.4	52
2	138	153	11	8.4	65
2	175	190	13	8.4	76

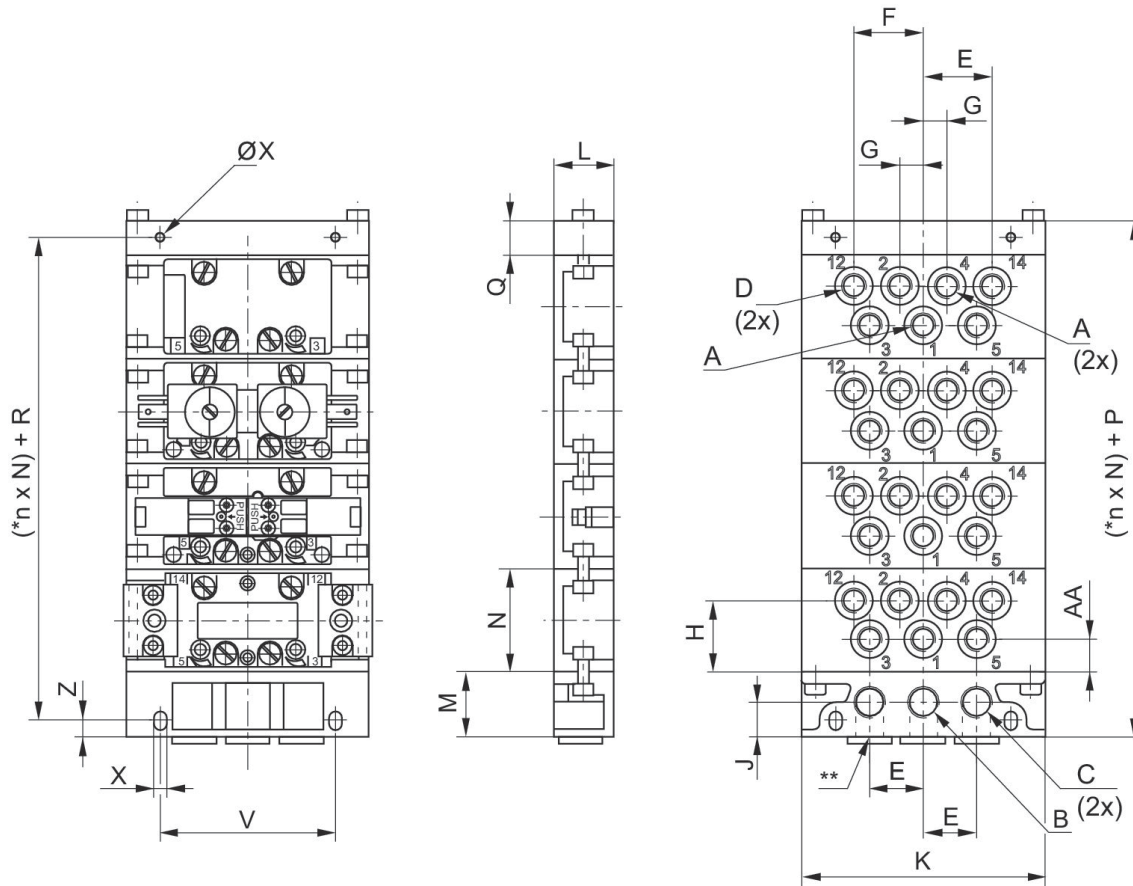
*) Ports

Base plate, ports 2 and 4 on bottom



Frame size	Min. ambient temperature [°C]	Max. ambient temperature [°C]	Compressed air connection output	Compressed air connection pilot air	Max. number of valve positions	Part No.
ISO 3	-20	70	G 1/2	G 1/8	1	5803750000

Dimensions



* n = Number of subbases. ** Alternative port openings, closed with plugs

Part No.	*		A	B	C	D	E	F	G
5801720000	a	ISO 1	G 1/8	G 1/4	G 1/4	G 1/8	22	28.5	9.5
5801750000	b	ISO 1	G 1/4	G 3/8	G 3/8	G 1/8	27	40	12.5
5802720000	b	ISO 2	G 1/4	G 3/8	G 3/8	G 1/8	27	39	13.5
5802750000	c	ISO 2	G 3/8	G 1/2	G 1/2	G 1/8	36	52	17
5803750000	d	ISO 3	G 1/2	G 3/4	G 3/4	G 1/8	44	62	20.5

H	J	K	L	M	N	P	Q	R	V
29.5	14.5	100	25	27	43	41	14	27.5	72
26.5	20	122	30	34	43	49	15	34	94
38	20	122	30	34	56	49	15	34	94
33	22	156	37	39	56	59	20	40	118
42	24	190	40	44	71	64	20	45	146

X	Z	AA
5.4	7	8
6.4	8	10
6.4	8	18
8.4	10	13
8.4	10	-

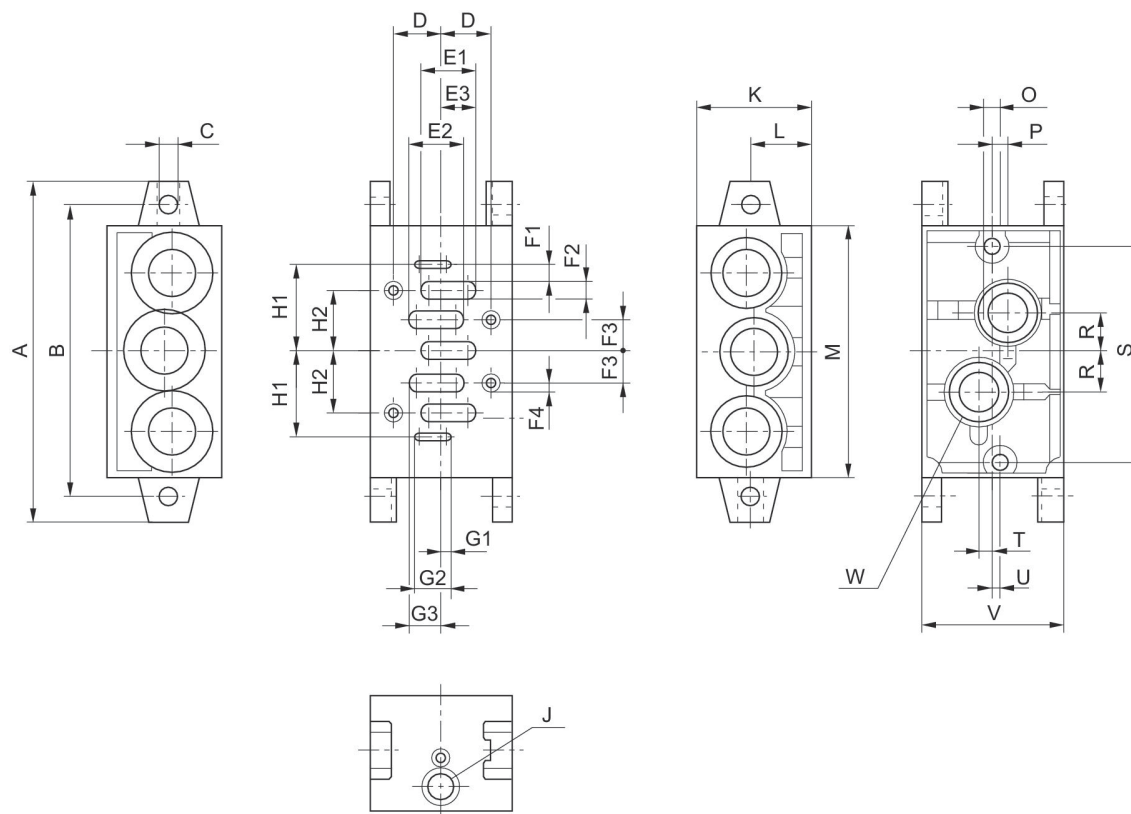
* Intermediate plates designated with the same letters (a-d) can be mounted together without a transition plate.

Base plate, ports 2 and 4 on bottom



Frame size	Min. ambient temperature [°C]	Max. ambient temperature [°C]	Compressed air connection output	Compressed air connection pilot air	Max. number of valve positions	Part No.
ISO 3	-25	70	G 1/2	G 1/8	1	1825503150

Dimensions



Part No.	A	B	C	D	E1	E2	E3	F1	F2
1825503144	110	95	5,5	14	16,5	16,5	11,25	3	4,5
1825503147	135	115	6,6	19	22	22	13,5	3	7
1825503150	190	168	9	24	29	29	16,5	4	10
8985041422	215	184	11	—	—	—	—	—	—

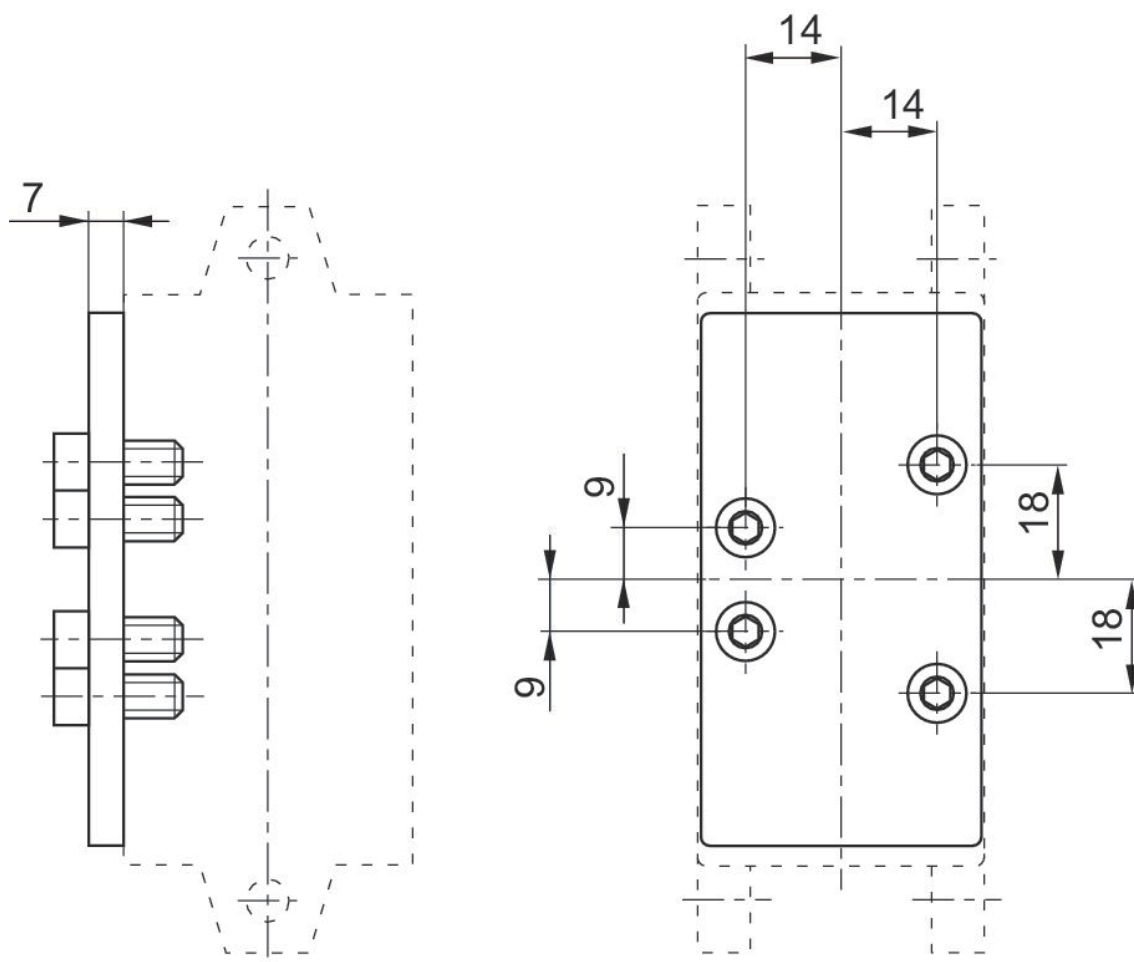
F3	F4	G1	G2	G3	H1	H2	J	K	L
9	M5	3	13,5	11,25	26,5	18	G 1/8	44	22
12	M6	3	14,5	13,5	34	24	G 1/8	45	24
16	M8	4	17,5	16,5	45	32	G 1/8	54	25
—	—	—	—	—	—	—	—	55	30

M	O	P	R	S	T	U	V	W
85	M5	7,5	13	71	1,5	3	43	G 1/4
100	M6	6	15	86	5	3	56	G 3/8
140	M8	8	19	130	6	3	71	G 1/2
142	M8	8	26	—	9	3	82	G 3/4

Blanking plate



Type	Frame size	Min. ambient temperature [°C]	Max. ambient temperature [°C]	Part No.
Blanking plate	ISO 3	0	80	1825503174

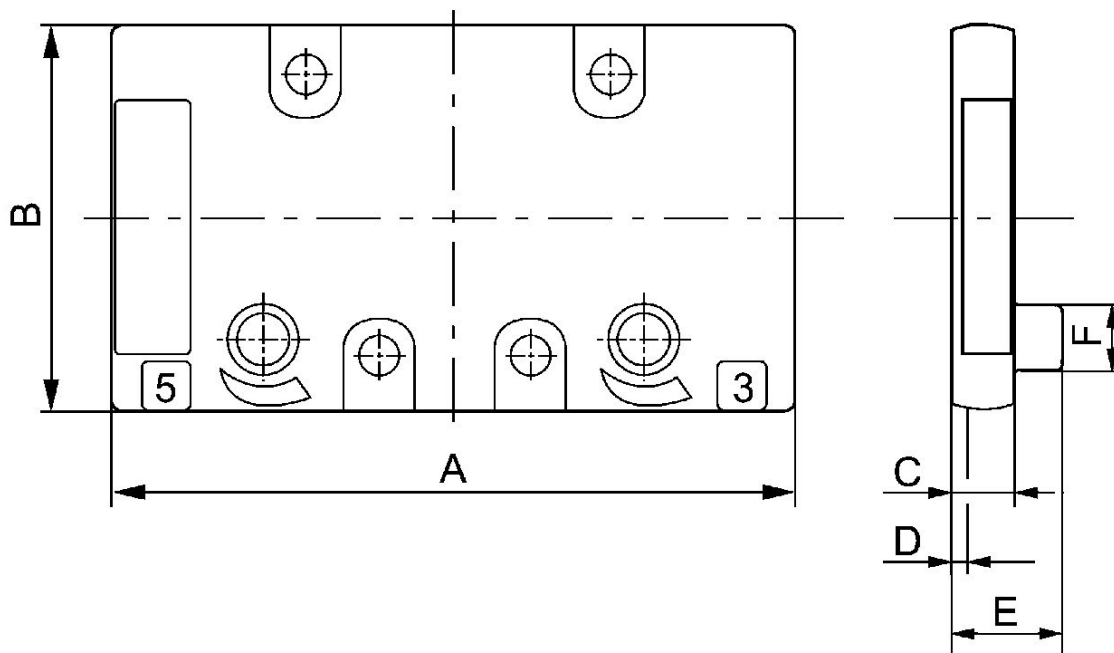


Blanking plate



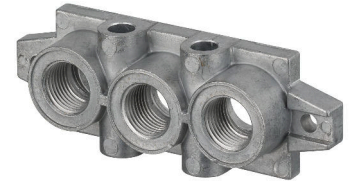
Frame size	Min. ambient temperature [°C]	Max. ambient temperature [°C]	Max. number of valve positions	Part No.
ISO 3	-20	70	1	5803870000

Dimensions



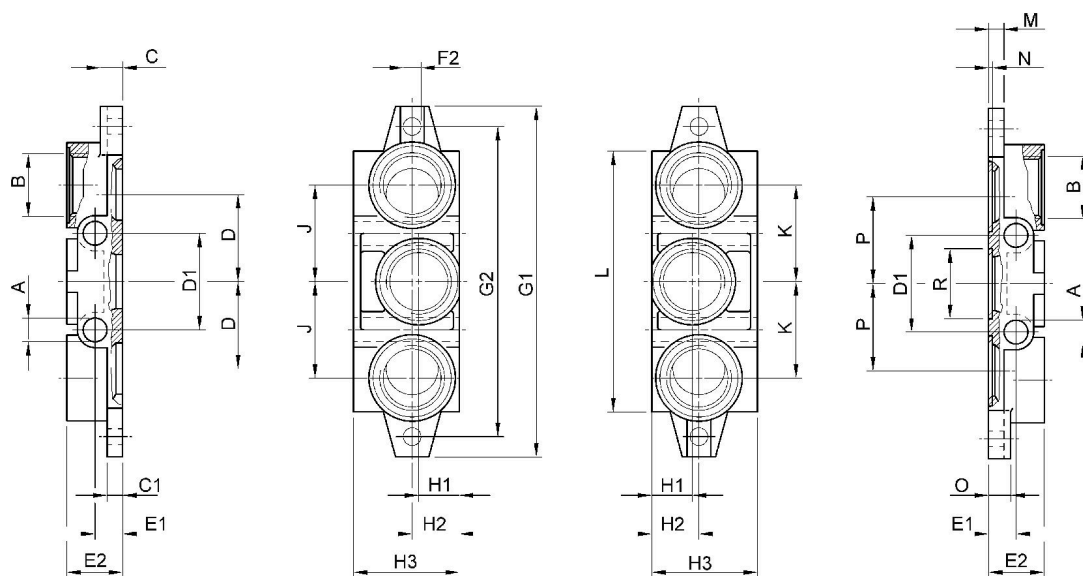
Part No.	A	B	C	D	E	F
5801870000	69	39	7	2	-	-
5802870000	86.4	49.4	9	2	-	-
5803870000	116.5	63.5	10	2	15	12
5804870000	142.5	74.5	10	2	20	15

End plate left, End plate right



Frame size	Min. ambient temperature [°C]	Max. ambient temperature [°C]	Compressed air connection input	Compressed air connection, exhaust	Part No.
ISO 3	-15	70	G 1	G 1	1825503151

Dimensions

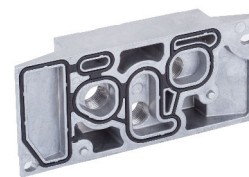


Part No.	A	B	C	C1	D	D1	E1	E2	F2
1825503145	7	G 3/8	8	6	24	28	11	22	Ø 5,5
1825503148	9	G 1/2	11	8	31,5	35	13	26	Ø 6,6
1825503151	12	G 1	12	8	47	52	15	32	Ø 9
8985041442	12	G 1	19	12	54	56	15	30	Ø 11

G1	G2	H1	H2	H3	J	K	L	M	N
110	95	22	22	46	28	28	85	6	2
135	115	23	24	47	34	34	100	8	2
190	168	22	25	56	52	52	140	8	2,7
215	148	30	30	58	54	54		12	2,7

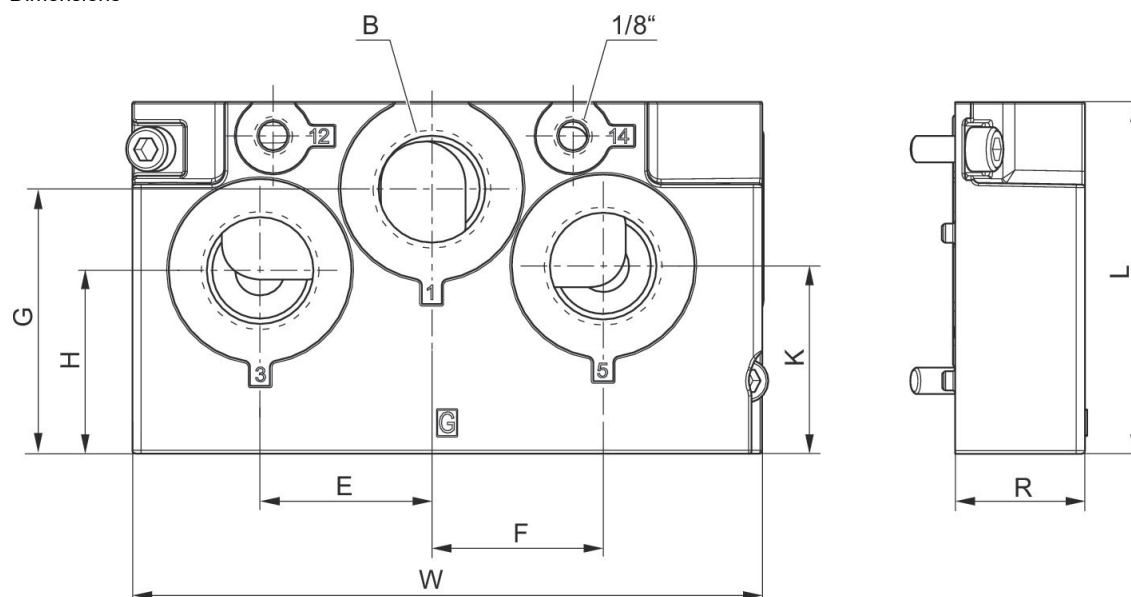
O	P	R
8	24	Ø 22,1
11	31,5	Ø 28,7
12	47	Ø 38
19	54	Ø 44,1

End plate right



Frame size	Min. ambient temperature [°C]	Max. ambient temperature [°C]	Compressed air connection input	Compressed air connection, exhaust	Part No.
ISO 1	-15	70	G 3/8	G 3/8	R432037651
ISO 2	-15	70	G 3/4	G 3/4	R432037653
ISO 3	-15	70	G 1	G 1	R432037655

Dimensions



Part No.	B	E	F	G	H	J	K	R	L
R432037651	3/8	23	18	15.5	30	20	37.5	25	60.6
R432037653	3/4	39	39	60	41.5	38	42.5	29.5	79.7
R432037655	1	49	49	76	53	32	53	36	100

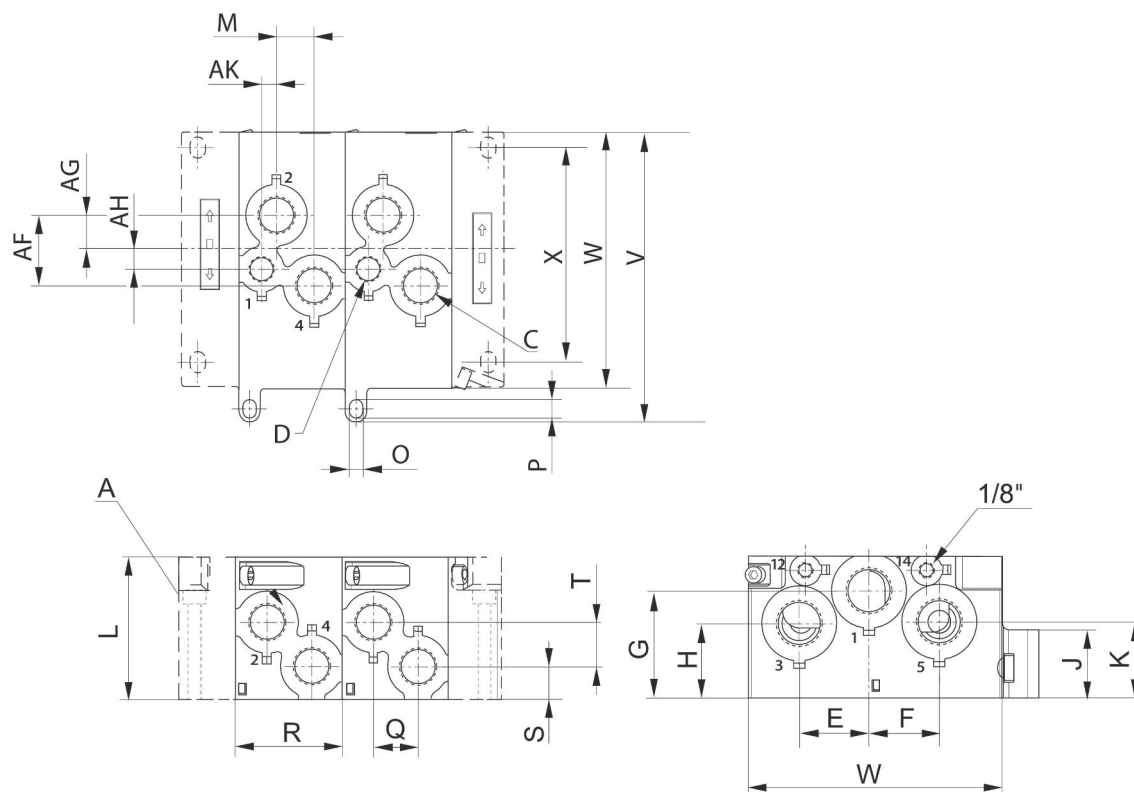
W
135
143
164

Base plate



Frame size	Min. ambient temperature [°C]	Max. ambient temperature [°C]	Compressed air connection output	Part No.
ISO 1	-20	70	G 3/8	R432037639
ISO 2	-20	70	G 1/2	R432037641
ISO 3	-20	70	G 3/4	R432037643

Dimensions



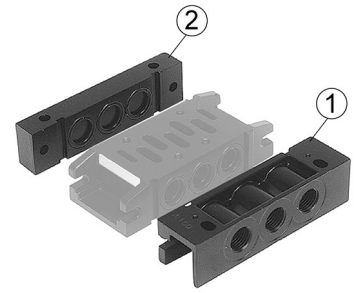
A = left and right end plates in two versions

Part No.	A	D	C	AF	AG	AH	AK	E	F
R432037639	G 1/4	-	G 3/8	23.8	11.8	-	-	23	18
R432037641	G 1/2	G 3/8	G 1/2	39.5	19	11	8.2	39	39
R432037643	G 3/4	G 1/2	G 3/4	46.3	25.1	11.2	15.8	49	49

G	H	J	K	L	M	O	P	R	Q
15,5	30	20	37,5	60.6	12	5.5	8.5	45	18
60	41,5	38	42,5	79.7	21	5.5	9.3	59.5	25
76	53	32	53	100	22.5	6.3	9.3	80	38

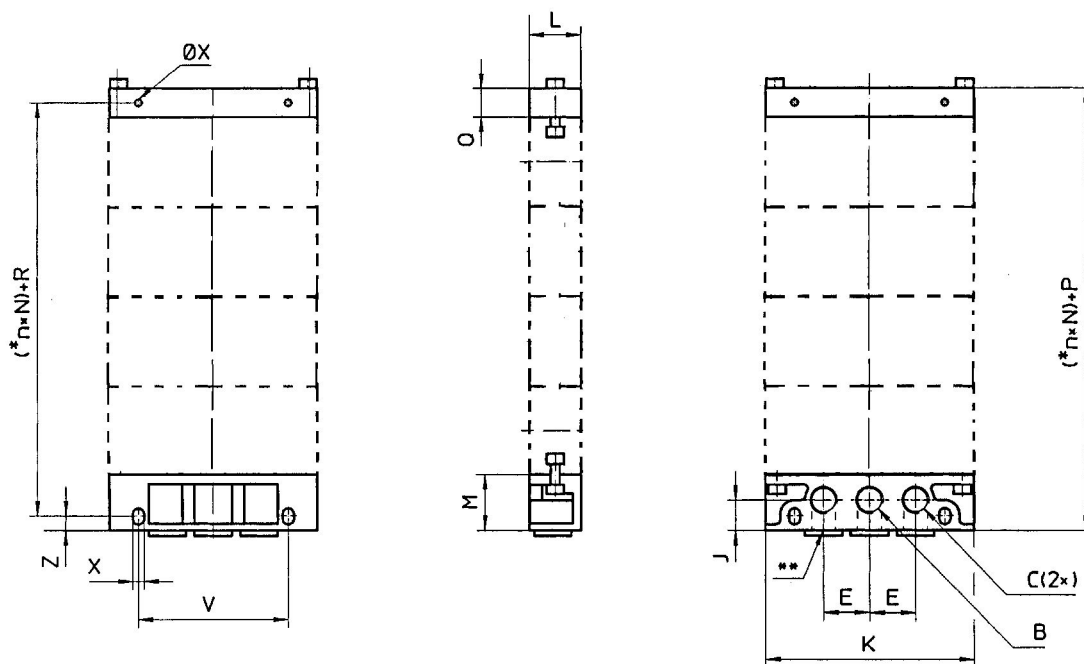
S	T	X	W	V
13.3	14.7	102,5	135	150
18	24.8	119,6	143	162,5
24.5	20.5	99	164	183

End plate left, End plate right



Frame size	Min. ambient temperature [°C]	Max. ambient temperature [°C]	Compressed air connection input	Compressed air connection, exhaust	Part No.
ISO 2, ISO 3	-20	70	G 1/2	G 1/2	5803850000
ISO 2, ISO 3	-20	70			5803860000
ISO 3, ISO 4	-20	70	G 3/4	G 3/4	5804850000
ISO 3, ISO 4	-20	70			5804860000

Dimensions

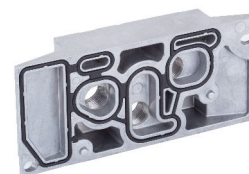


* n = Number of subbases. ** Alternative port openings, closed with plugs

Part No.		B	C	E	J	K	L	M	P
5801850000	ISO 1	G 1/4	G 1/4	22	14.5	100	25	27	41
5801860000	ISO 1	-	-	-	-	100	25	-	41
5802850000	ISO 1 , ISO 2	G 3/8	G 3/8	27	20	122	30	34	49
5802860000	ISO 1 , ISO 2	-	-	-	-	122	29	-	49
5803850000	ISO 2 , ISO 3	G 1/2	G 1/2	36	22	156	37	39	59
5803860000	ISO 2 , ISO 3	-	-	-	-	156	37	-	59
5804850000	ISO 3 , ISO 4	G 3/4	G 3/4	44	24	190	42	44	64
5804860000	ISO 3 , ISO 4	-	-	-	-	190	42	-	64

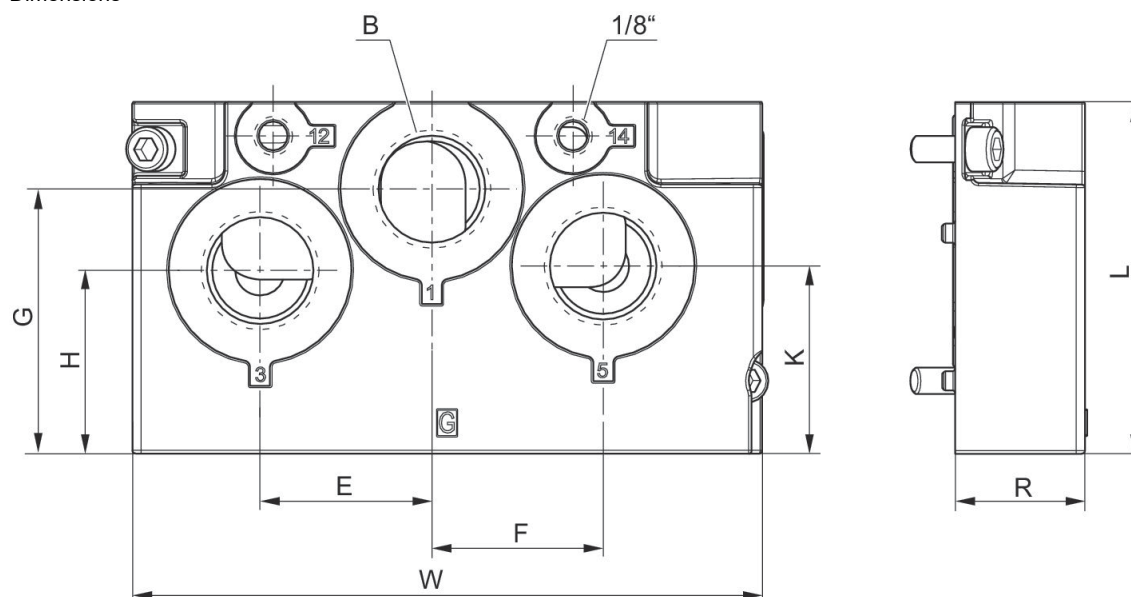
Q	R	V	X	Z	Weight
-	27.5	72	5.4	7	
14	27.5	72	5.4	-	
-	34	94	6.4	8	
15	34	94	6.4	-	
-	40	118	8.4	10	
20	40	118	8.4	-	
-	45	146	8.4	10	
20	45	146	8.4	-	

End plate right, Inch version



Frame size	Min. ambient temperature [°C]	Max. ambient temperature [°C]	Compressed air connection input	Compressed air connection, exhaust	Part No.
ISO 1	-15	70	3/8 NPT	3/8 NPT	R432037652
ISO 2	-15	70	3/4 NPT	3/4 NPT	R432037654
ISO 3	-15	70	1 NPT	1 NPT	R432037656

Dimensions



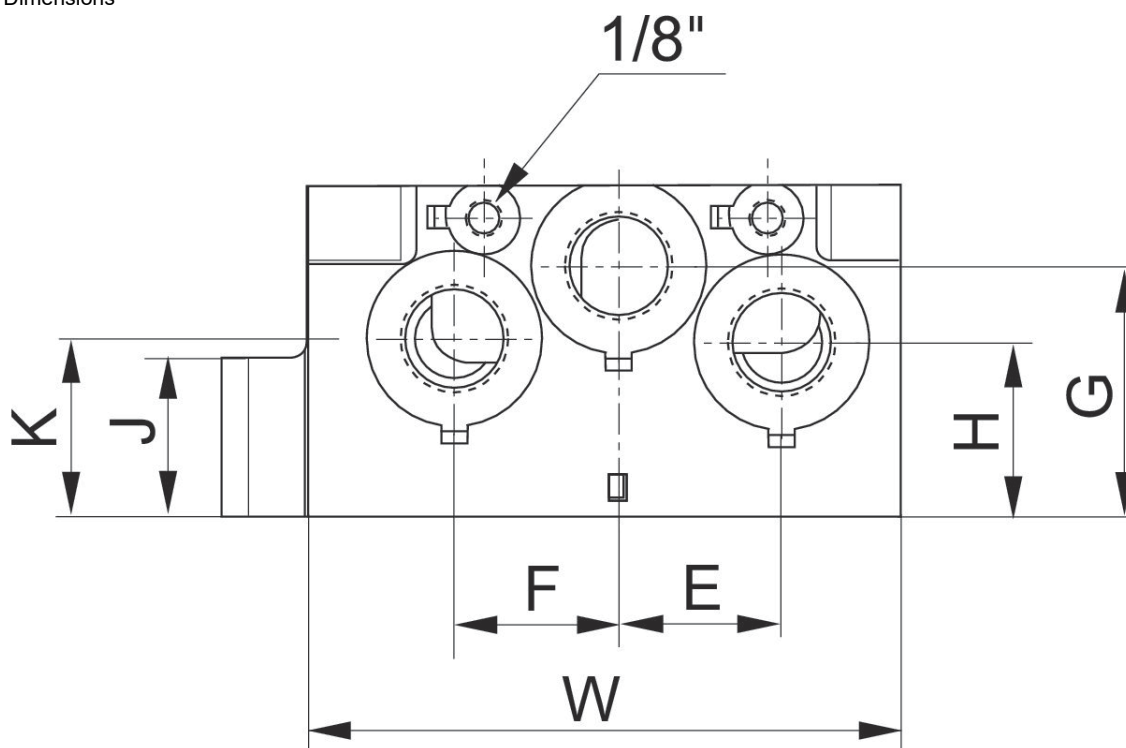
Part No.	E	F	G	H	J	K	W
R432037652	23	18	15.5	30	20	37.5	135
R432037654	39	39	60	41.5	38	42.5	143
R432037656	49	49	76	53	32	53	53

End plate left, Inch version



Frame size	Min. ambient temperature [°C]	Max. ambient temperature [°C]	Compressed air connection input	Compressed air connection, exhaust	Part No.
ISO 1	-15	70	3/8 NPT	3/8 NPT	R432037646
ISO 2	-15	70	3/4 NPT	3/4 NPT	R432037648
ISO 3	-15	70	1 NPT	1 NPT	R432037650

Dimensions



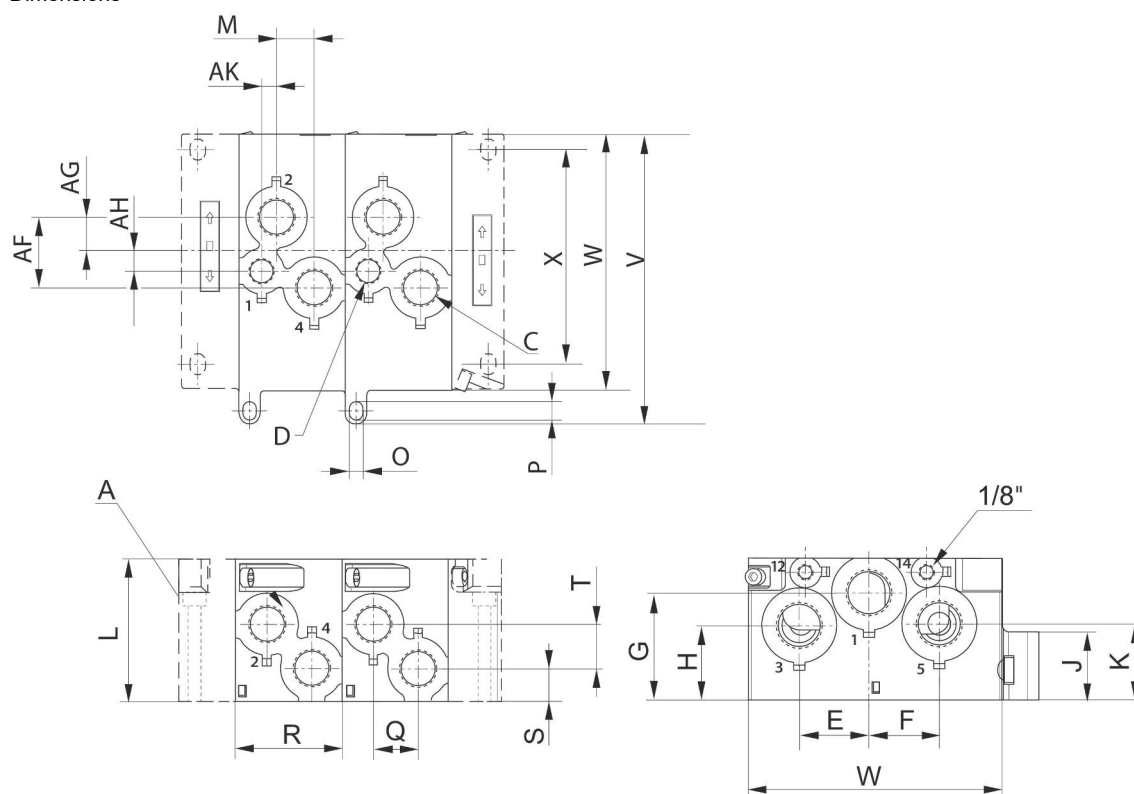
Part No.	E	F	G	H	J	K	W
R432037646	23	18	15.5	30	20	37.5	135
R432037648	39	39	60	41.5	38	42.5	143
R432037650	49	49	76	53	32	53	164

ISO 5599-1, Base and end plates, Inch version



Frame size	Min. ambient temperature [°C]	Max. ambient temperature [°C]	Compressed air connection output	Part No.
ISO 1	-20	70	3/8 NPT	R432037640
ISO 2	-20	70	1/2 NPT	R432037642
ISO 3	-20	70	3/4 NPT	R432037644

Dimensions



A = left and right end plates in two versions

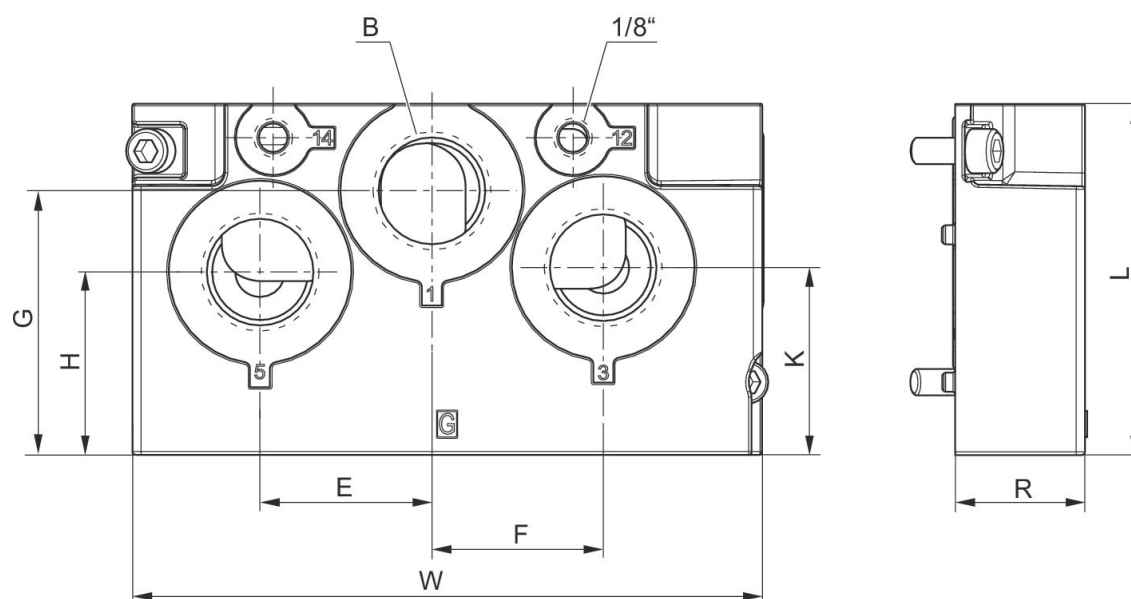
Part No.	A	D	C	F	G	H	K	L	M
R432037640	1/4 NPT	-	3/8 NPT	23.8	11.8	-	-	60.6	12
R432037642	1/2 NPT	3/8 NPT	1/2 NPT	39.5	19	11	8.2	79.7	21
R432037644	3/4 NPT	1/2 NPT	3/4 NPT	46.3	25.1	11.2	15.8	100	22.5

Part No.	O	P	R	Q	S	T
R432037640	5.5	8.5	45	18	13.3	14.7
R432037642	5.5	9.3	59.5	25	18	24.8
R432037644	6.3	9.3	80	38	24.5	20.5

End plate left



Frame size	Min. ambient temperature [°C]	Max. ambient temperature [°C]	Compressed air connection input	Compressed air connection, exhaust	Part No.
ISO 1	-15	70	G 3/8	G 3/8	R432037645
ISO 2	-15	70	G 3/4	G 3/4	R432037647
ISO 3	-15	70	G 1	G 1	R432037649

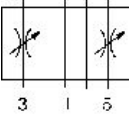


Part No.	B	E	F	G	H	J	K	L	R
R432037645	3/8	23	18	15.5	30	20	37.5	60.6	25
R432037647	3/4	39	39	60	41.5	38	42.5	79.7	32
R432037649	1	49	49	76	53	32	53	100	37

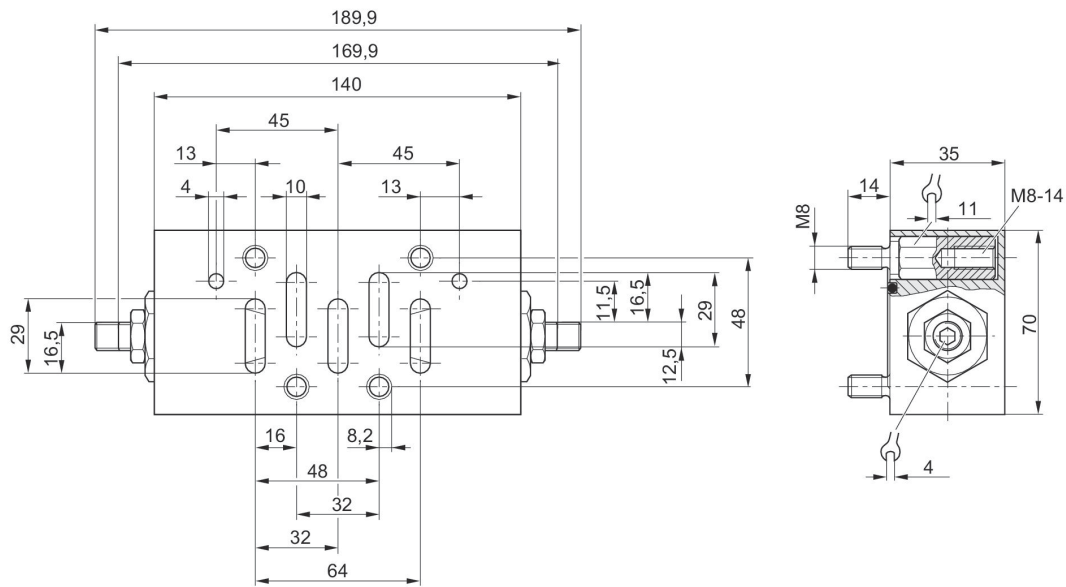
W
135
143
164

Throttle plate



	Frame size	Min. ambient temperature [°C]	Max. ambient temperature [°C]	Part No.
	ISO 3	0	80	0821201025

Dimensions

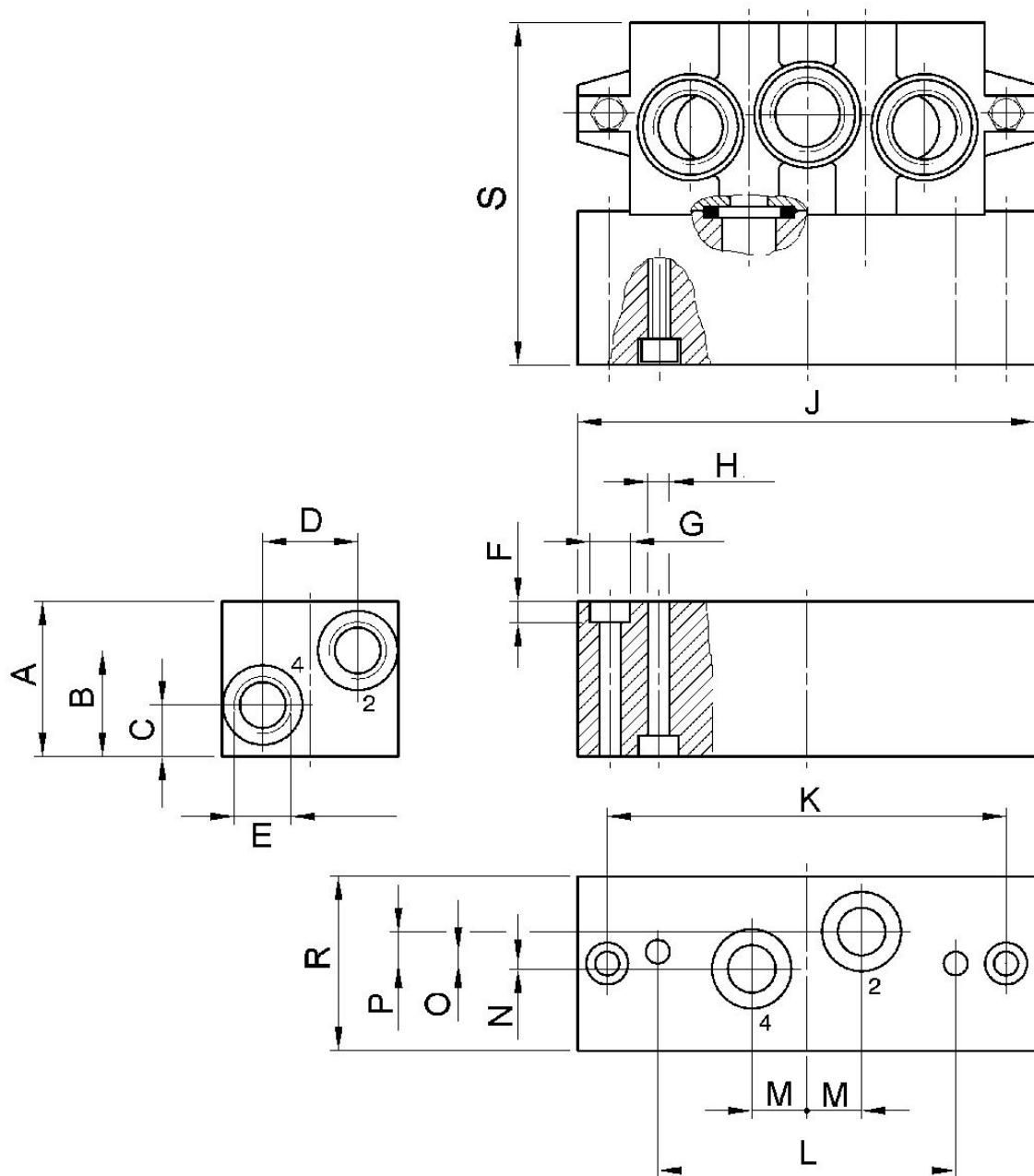


Angle subplate



Compressed air connection output	Connection direction	Part No.
G 1/4	On the side	1825503170
G 3/8	On the side	1825503204
G 1/2	On the side	1825503205

Dimensions




Part No.	A	B	C	D	E	F	G	H	J
1825503170	37	25	12	22	G 1/4	5,7	Ø 10	Ø 5,5	110
1825503204	40	26	14	29	G 3/8	6,8	Ø 11	Ø 6,6	135
1825503205	45	29	17	36	G 1/2	9	Ø 15	Ø 9	190

K	L	M	N	O	P	R	S
95	71	13	1,5	3	7,5	42	81
115	86	15	5	3	6	55	85
168	130	19	6	3	8	70	99

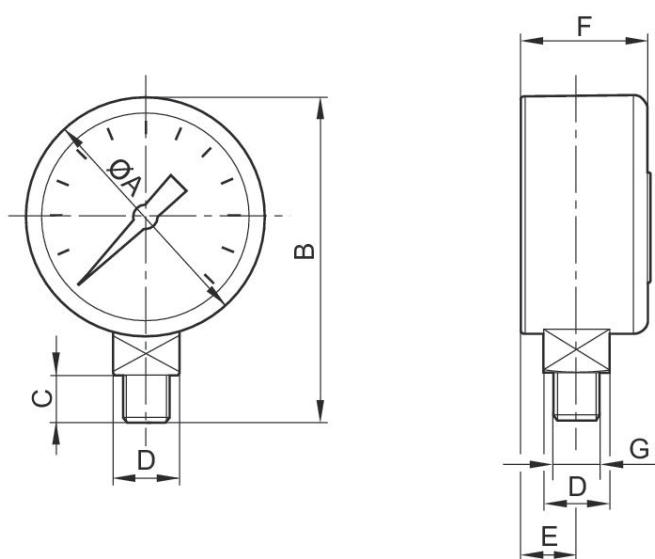
Pressure gauge, Series PG1-ROU

Ambient temperature min./max.: -40 °C ... 60 °C

Working pressure min./max.: 0 bar

	Type	Nominal diameter [mm]	Port	Min. main scale range of application [bar]	Max. main scale range of application [bar]	Min. main scale display range [bar]	Max. main scale display range [bar]	Part No.
	Bourdon tube pressure gauge	50	R 1/8	0	10	0	12	8901703200

Dimensions



Dimensions in mm

Part No.	Compressed air connection	Nominal diameter	$\varnothing A$	B	C	D	F	E
8901703200	R 1/8	50 mm	50	66.5	10	SW14	27,5	10

Pressure gauge, Series PG1-SAS

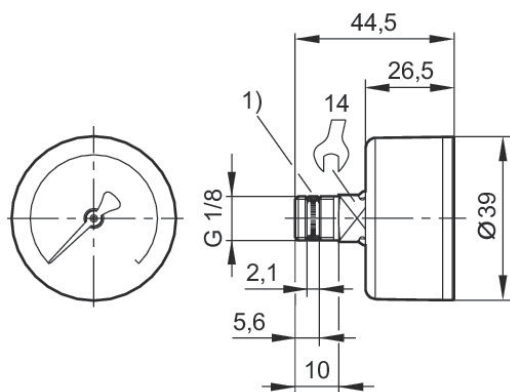
Ambient temperature min./max.: -40 °C ... 60 °C
Working pressure min./max.: 0 bar



	Type	Nominal diameter [mm]	Port	Min. main scale range of application [bar]	Max. main scale range of application [bar]	Min. main scale display range [bar]	Max. main scale display range [bar]	Part No.
	Bourdon tube pressure gauge	40	G 1/8	0	8	0	10	R412003857

R412003857

Dimensions in mm



1) Gasket thread

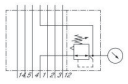
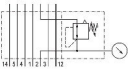


Pressure regulator

Flow: 1700 l/min

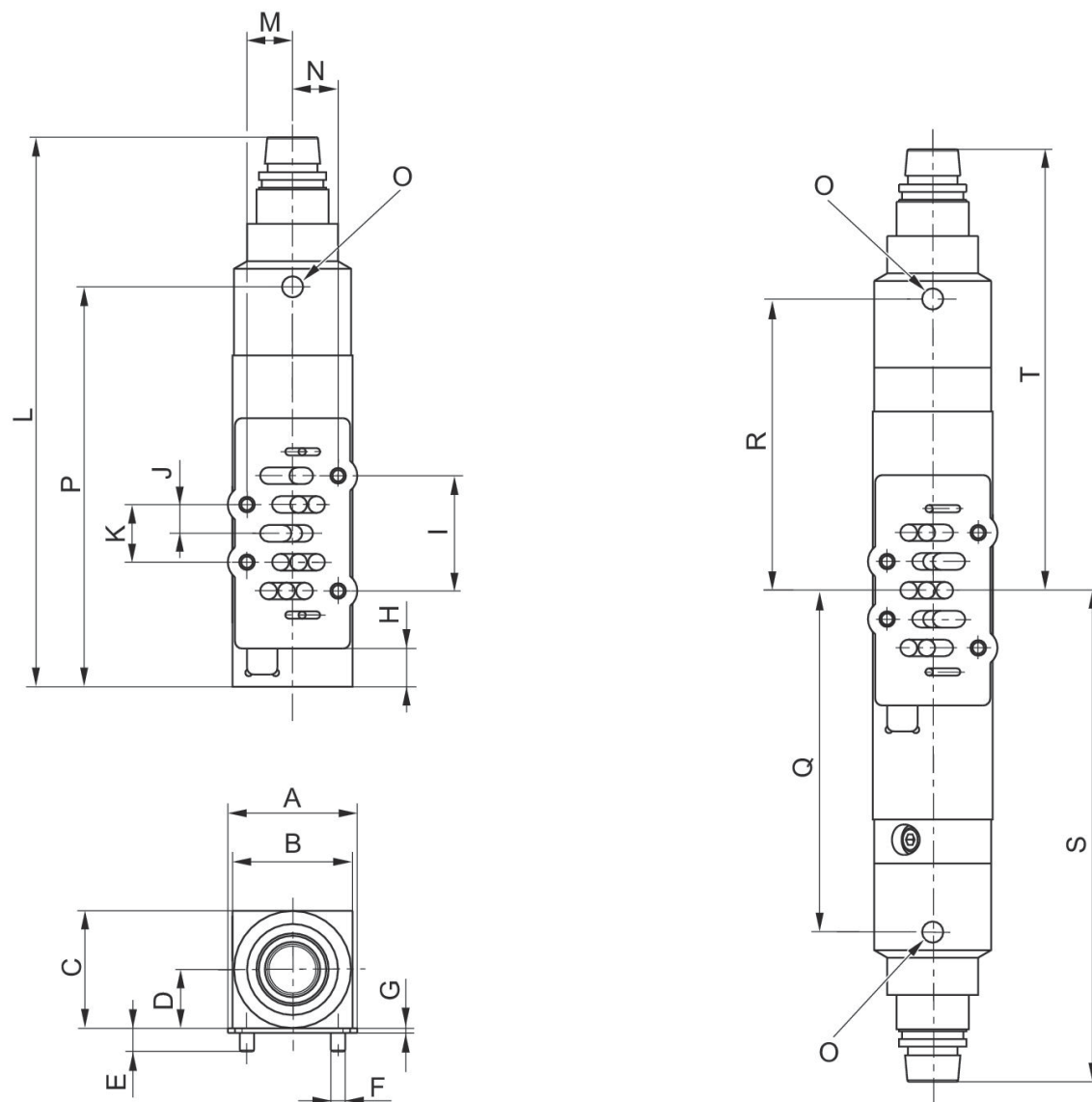
Ambient temperature min./max.: -15 °C ... 50 °C

Working pressure min./max.: 12 bar



	Con- trolled port	Nominal flow [l/min]	Min. regula- tion range [bar]	Max. regula- tion range [bar]	Part No.
	1	1700	0.5	8	R422103096
	2	1700	0.5	8	R422103097
	2, 4	1700	0.5	8	R422103098
	1	1700	0.5	8	R422103167
	4	1700	0.5	8	R422103168

Dimensions

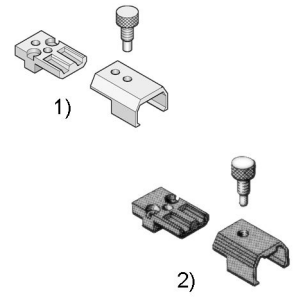


Part No.	A	B	C	D	E	F	G	H	I
R422103096	-	68	68	34	13.7	M8	2	19.2	64
R422103097	-	68	68	34	13.7	M8	2	19.2	64
R422103098	-	68	68	34	13.7	M8	2	19.2	64
R422103167	-	68	68	34	13.7	M8	2	1.5	64
R422103168	-	68	68	34	13.7	M8	2	1.5	64

Part No.	J	K	L	M	N	O	P	Q	R
R422103096	16	32	288.8	24	24	G1/8	200.5	-	-
R422103097	16	32	294.7	24	24	G1/8	206.5	-	-
R422103098	16	32	-	24	24	G1/8	-	161.3	131.3
R422103167	16	32	288.8	24	24	G1/8	-	-	-
R422103168	16	32	307	24	24	G1/8	-	-	-

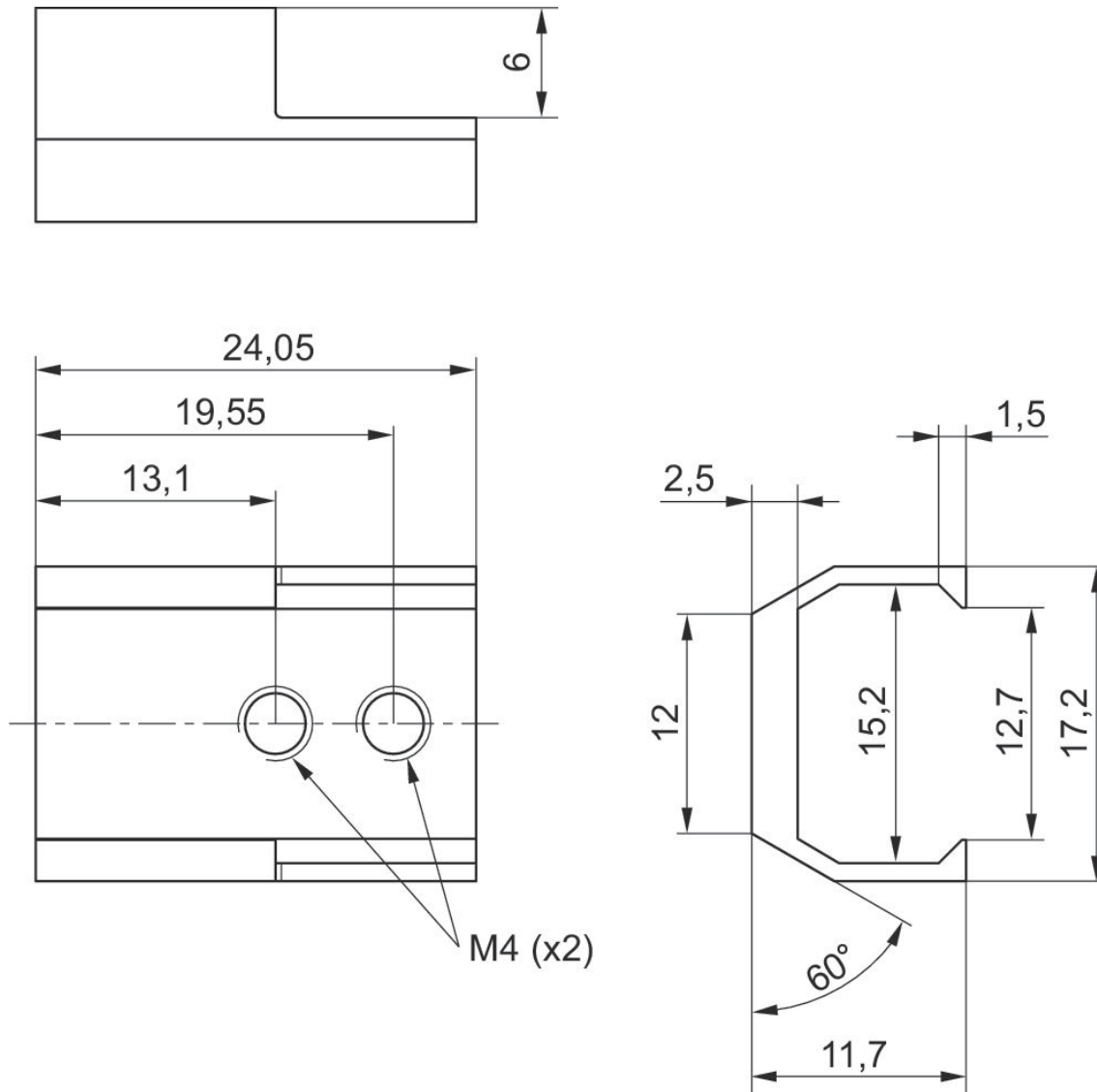
Part No.	S	T
R422103096	-	-
R422103097	-	-
R422103098	249.5	219.5
R422103167	-	-
R422103168	-	-

Control unit for manual override



Type	Weight [kg]	Part No.
for double-sided electrically actuated valves, 15 pilot valve width	0.03	0493835718

Dimensions



Blanking piece**AVENTICS™**

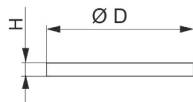
Type	Type	Weight [kg]	Part No.
Blanking piece	ISO 1	0.009	R432038306
Blanking piece	ISO 2	0.009	R432037662
Blanking piece	ISO 3	0.02	R432037663

Separator set

Ambient temperature min./max.: -20 °C ... 70 °C



Type	Type	Delivery unit [piece]	Weight [kg]	Material	Part No.
c	ISO 2, ISO 3	3	0.02	Brass	5803880000
d	ISO 3, ISO 4	3	0.029	Brass	5804880000



Part No.	D	H
5801880000	13,2	2
5802880000	17,2	2
5803880000	20,5	2,2
5804880000	24,5	2,2

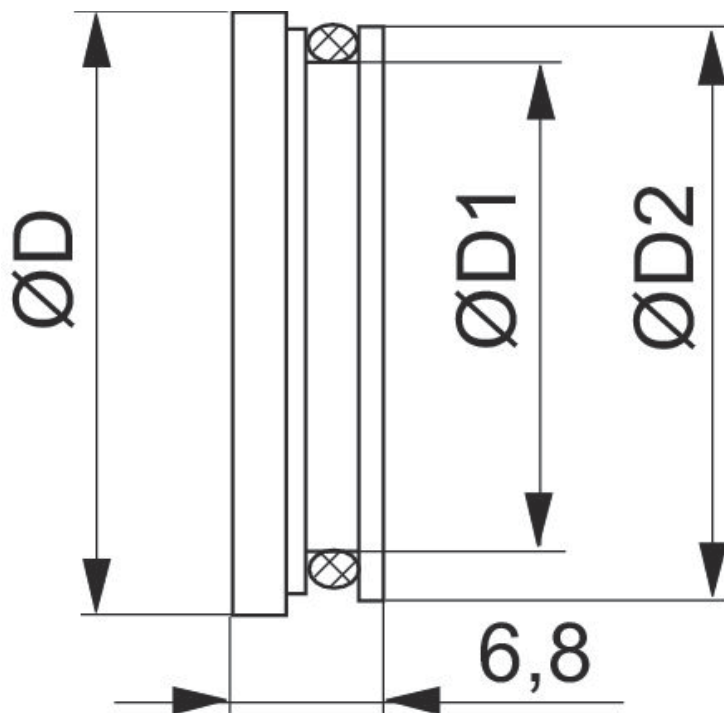
Blanking piece

Ambient temperature min./max.: -15 °C ... 80 °C



Type	Type	Weight [kg]	Material	Part No.
Blanking piece, ISO 3	ISO 3	0.105	Aluminum	1820A20013
Blanking piece, ISO 2	ISO 2	0.011	Aluminum	1820220023

Dimensions



Part No.	Ø D	Ø D1	Ø D2
1820220021	16.6	11.8	15.8
1820220023	23	14.3	18.2
1820A20013	29.3	23.8	27.7
RepeatColumn tablefooter			

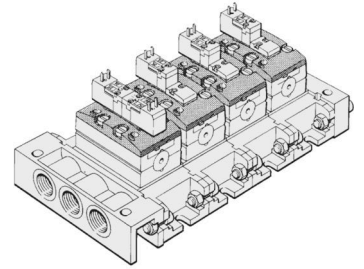
Valve cover seal, Valve housing seal



Type	Weight [kg]	Material	Part No.
Valve cover seal, electrically operated valves	0.01	caoutchouc/ butadiene caoutchouc	0490429204
Valve cover seal, pneumatically operated valves	0.1	caoutchouc/ butadiene caoutchouc	0490429301
Valve cover seal, for valves with logic function	0.01	caoutchouc/ butadiene caoutchouc	0490429409
Valve housing seal, between housing and base plate	0.003	caoutchouc/ butadiene caoutchouc	0486704608

valve cover, with or without pilot valve

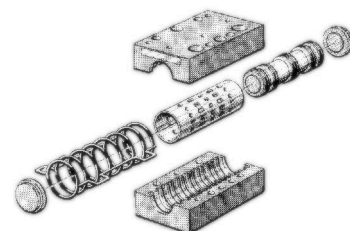
Ambient temperature min./max.: -10 °C ... 50 °C



Type	Weight [kg]	Part No.
5/2-directional valve, mono-stable	0.29	5813010000
2x3/2-, 5/2-, 5/3-directional valve	0.3	5813020000
5/2-directional valve, mono-stable	0.29	5813050000
2x3/2-, 5/2-, 5/3-directional valve	0.3	5813060000
all	0.415	5813080000

valve housing, without cover

Ambient temperature min./max.: -20 °C ... 70 °C



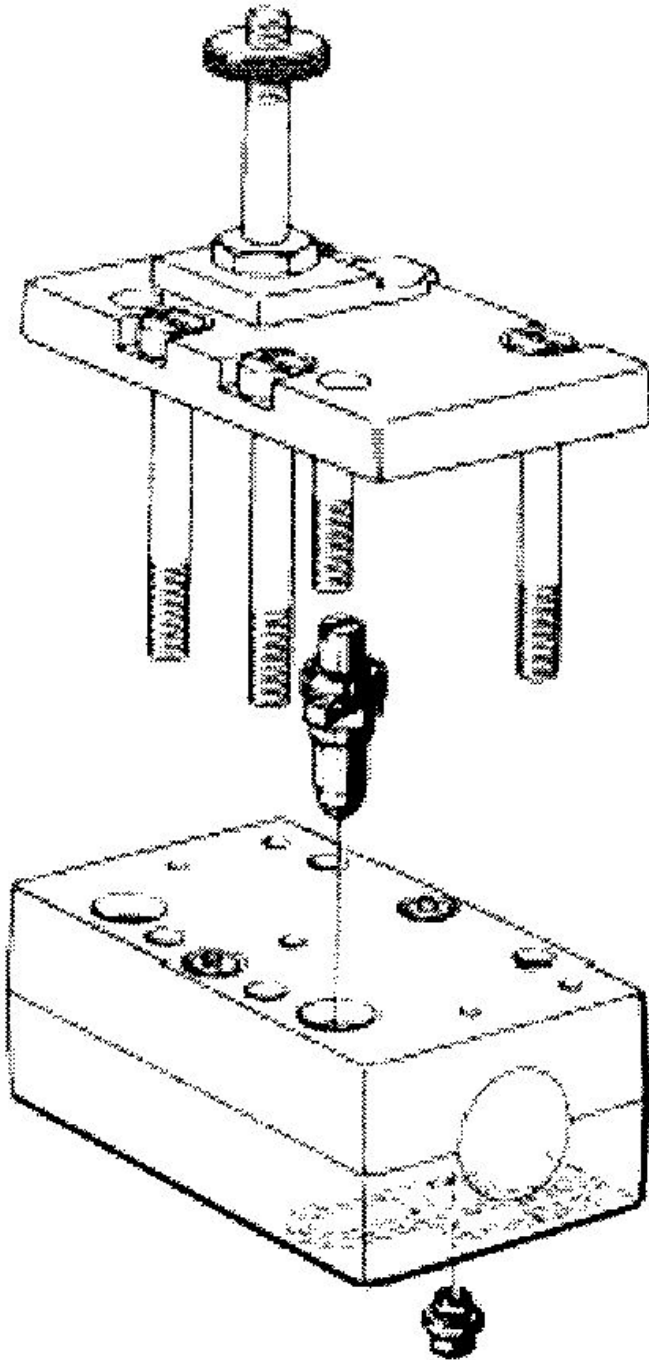
Type	Weight [kg]	Material	Part No.
5/2-directional valve, mono-stable	0.58	Aluminum	5813100000
5/2-directional valve, double solenoid	1	Aluminum	5813200000
5/2-directional valve, double solenoid, with manual override	0.77	Aluminum	5813300000
5/2-way solenoid valve, with differential piston	0.55	Aluminum	5813600000
5/3-directional valve, closed center	0.77	Aluminum	5813400000
5/3-directional valve, exhausted center	0.77	Aluminum	5813500000
5/3-directional valve, pressurized center	0.77	Aluminum	5813700000

throttle insert for flow control in 3/5



Weight [kg]	Part No.
0.05	5813001000

Vertically mounted



Blanking piece, Subbases ISO 5599-1

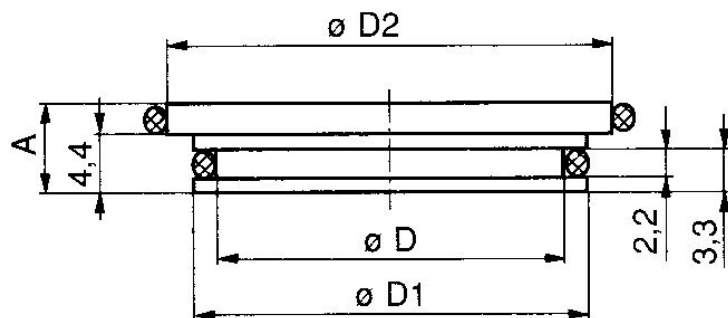
Ambient temperature min./max.: -25 °C ... 70 °C

Working pressure min./max.: -0.95 bar ... 10 bar



Type	Material	Part No.
ISO 1	Brass	8985049012
ISO 2	Brass	8985049022
ISO 3	Brass	8985049032

Dimensions



Part No.		A	D	D1	D2
8985049012	ISO 1	6.2	12.2	14.8	16.5
8985049022	ISO 2	6.2	15.7	18.3	23
8985049032	ISO 3	6.9	25.1	27.7	30
tablefooter					

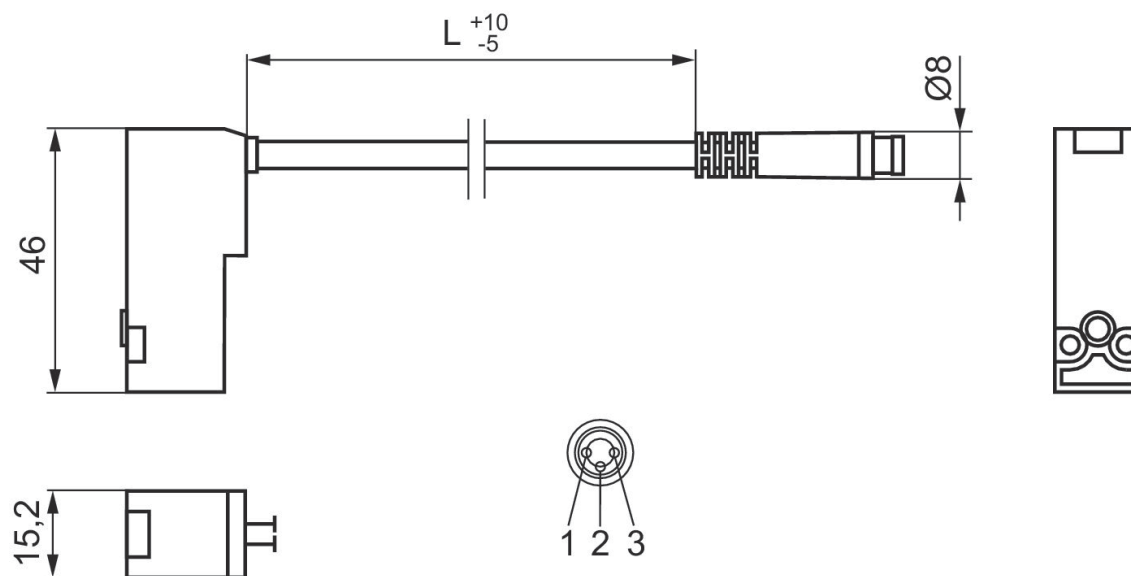
Pilot valve with cable

Activation: Electrically
 Duty cycle: 100 %
 Ambient temperature min./max.: -10 °C ... 50 °C
 Working pressure min./max.: 0 bar ... 10 bar



Switching principle	Operational voltage	Cable length L [m]	Power consumption DC [W]	Switch-on time [ms]	Manual override	Part No.
3/2	24 V DC	0.2	2.2	15	without detent	0493833308
3/2	24 V DC	0.35	2.2	15	without detent	0493832506
3/2	24 V DC	0.5	2.2	15	without detent	0493833103
3/2	24 V DC	5	2.2	15	without detent	0493838601

Dimensions



Pin assignment 1) +24 V 2) ground 3) 0 V

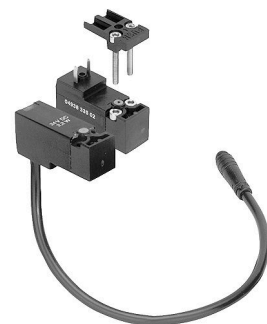
Pilot valve

Activation: Electrically

Duty cycle: 100 %

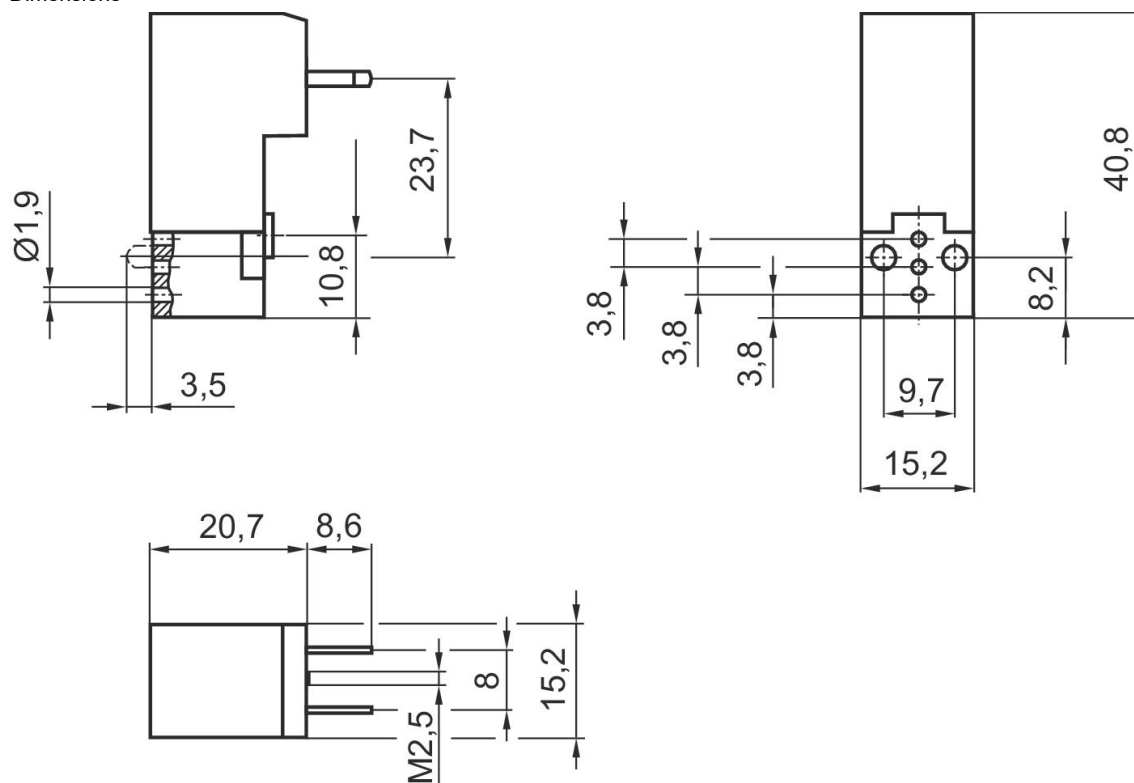
Ambient temperature min./max.: -10 °C ... 50 °C

Working pressure min./max.: 0 bar ... 10 bar



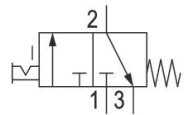
Switching principle	Operational voltage	Power consumption DC [W]	Manual override	Part No.
3/2	24 V DC	2	without detent	0493833502

Dimensions



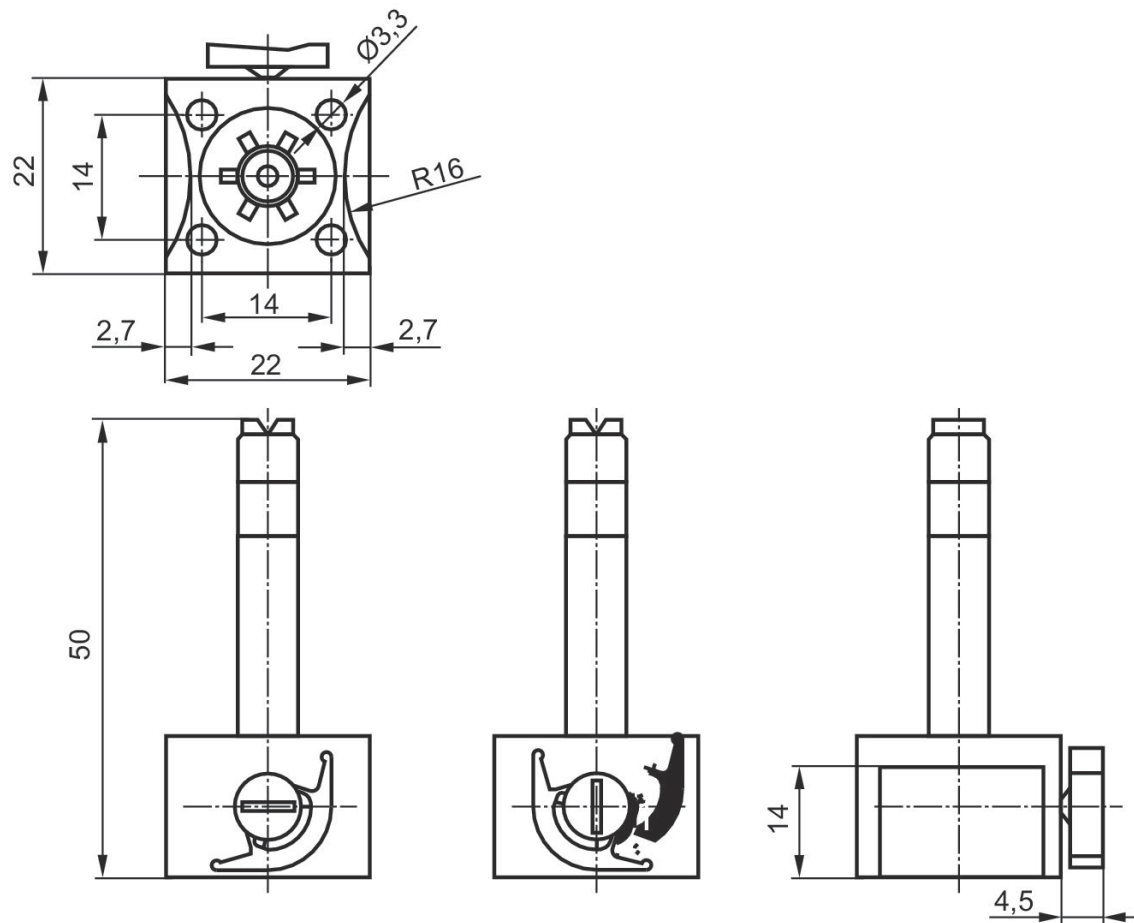
Pilot valve

Activation: Electrically
 Duty cycle: 100 %
 Ambient temperature min./max.: -15 °C ... 50 °C
 Working pressure min./max.: 0 bar ... 10 bar



Operational voltage	Power consumption DC [W]	Part No.
	5	0493818805
24 V DC	2	0493818902

Dimensions

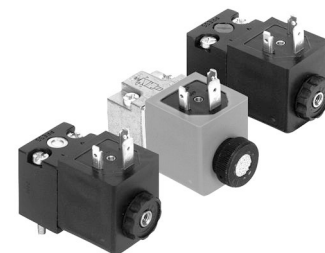


Pilot valve

Activation: Electrically

Duty cycle: 100 %

Ambient temperature min./max.: -10 °C ... 50 °C



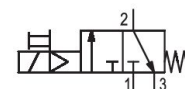
	Voltage tolerance DC	Power consumption DC [W]	Part No.
			5428110080
	-10 % / +10 %	2	5420890020
	-10 % / +10 %	6.7	5420850020
			5428150080
	-10 % / +10 %	2	5420890030
	-10 % / +10 %	2	5420890070
	-10 % / +10 %	2	5420890080
			5428110020
			5428110040
			5428110070

3/2-directional valve

Activation: Electrically

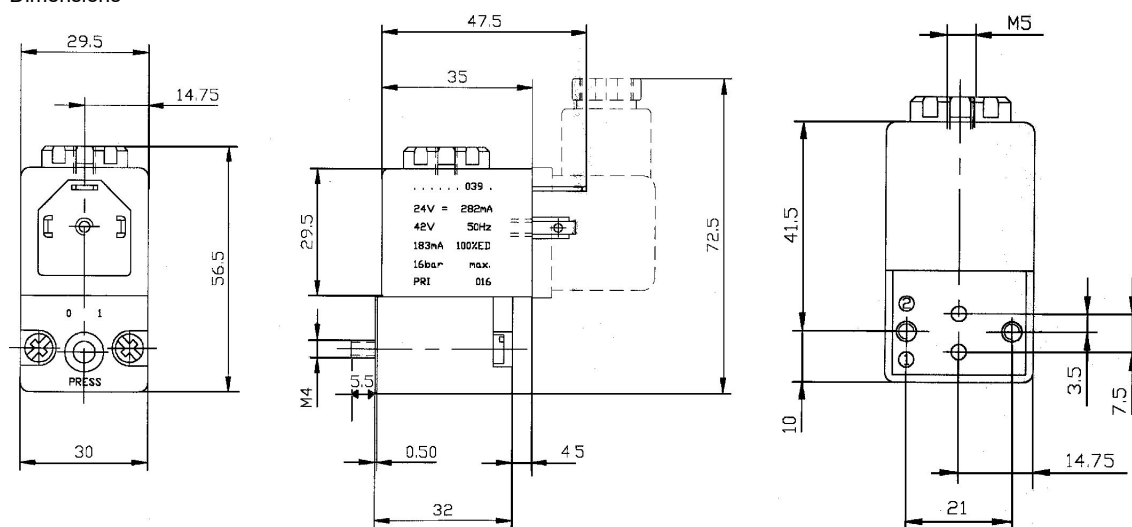
Ambient temperature min./max.: -10 °C ... 50 °C

Working pressure min./max.: 0 bar ... 16 bar



Operational voltage	Power consumption DC [W]	Voltage tolerance DC	Manual override	Part No.
24 V DC	6.7	-10 % / +10 %	without detent	5420800390
230 V AC			without detent	5428200380
110 V AC			without detent	5428200370





Dimensions



Efficient pneumatic solutions, our program:
cylinders and drives, valves and valve systems,
air supply management, proportional pressure
control valves



Visit us: www.Emerson.com/aventics
Your local contact: Emerson.com/contactus

-  Emerson.com
-  Facebook.com/EmersonAutomationSolutions
-  LinkedIn.com/company/Emerson-Automation-Solutions
-  Twitter.com/EMR_Automation



The Emerson logo is a trademark and service mark of Emerson Electric Co. AVENTICS is a registered trademark of one of the Emerson family of companies. All other trademarks are the property of their respective owners. © 2020 Emerson Electric Co. All rights reserved.



CONSIDER IT SOLVED™