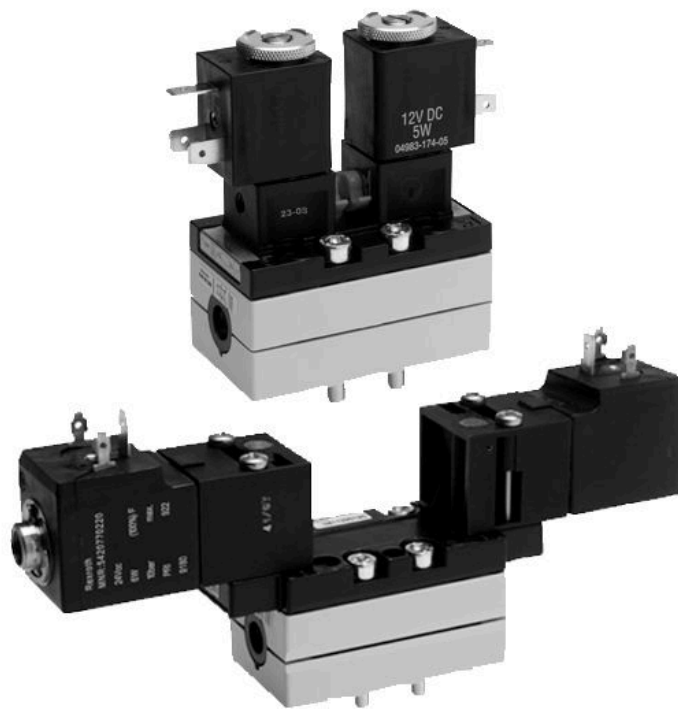


Series 581, size 1



AVENTICS™

**AVENTICS Series 581 - Size 1
Standardized valves**


EMERSON™

ISO 5599-1, size 1, series 581

The AVENTICS series 581 complies with the ISO 5599-1 valve standard. Due to the high degree of modularity, the series offers all valve functions, integrated throttle valves, various pilot coils and an extensive range of accessories.

- Valve system complying with standard
- ISO sizes 1 to 4 available
- Robust design
- Easy and flexible custom specific configurations via online configurator



Product overview

	Page
Electrically operated 2x3/2	
2x3/2-directional valve, Series 581, size 1, M12..... M12	8
2x3/2-directional valve, Series 581, size 1.....	10
2x3/2-directional valve, Series 581, size 1, form C..... ISO 15217, form C	11
2x3/2-directional valve, Series 581, size 1..... Form B, industry	12
2x3/2-directional valve, Series 581, size 1, With spring return, manual override: without..... EN 175301-803, form A	14
2x3/2-directional valve, Series 581, size 1, With spring return, manual override: without detent..... EN 175301-803, form A	15
2x3/2-directional valve, Series 581, size 1, Double Solenoid..... EN 175301-803, form A	16
2x3/2-directional valve, Series 581, size 1, With spring return, manual override: without detent..... EN 175301-803, form A	17
Electrically operated 5/2	
5/2-directional valve, Series 581, size 1, Basic valve for CNOMO pilot valve, ATEX.....	18
5/2-directional valve, Series 581, size 1, Basic valve for CNOMO pilot valve.....	19
5/2-directional valve, Series 581, size 1, Basic valve for CNOMO pilot valve, with differential piston, ATEX.....	20
5/2-directional valve, Series 581, size 1, Basic valve for CNOMO pilot valve, with differential piston.....	21
5/2-directional valve, Series 581, size 1, Basic valve for CNOMO pilot valve.....	22
5/2-directional valve, Series 581, size 1..... EN 175301-803, form A - with detent without detent - Soft seal	23
5/2-directional valve, Series 581, size 1, Basic valve for CNOMO pilot valve.....	24
5/2-directional valve, Series 581, size 1, Single Solenoid.....	25
5/2-directional valve, Series 581, size 1, Double Solenoid..... ISO 15217, form C	27
5/2-directional valve, Series 581, size 1, Min. control pressure: 1,5 bar.....	28
5/2-directional valve, Series 581, size 4, Min. control pressure: 3 bar..... ISO 15217, form C	30
5/2-directional valve, Series 581, size 1, M12, Min. control pressure: 1,7 bar..... M12	31
5/2-directional valve, Series 581, size 1, M12, Min. control pressure: 2,8 bar..... M12	33
5/2-directional valve, Series 581, size 1, with differential piston..... M12	35
5/2-directional valve, Series 581, size 1, Min. control pressure: 1,5 bar..... Form B, industry	37
5/2-directional valve, Series 581, size 4, Min. control pressure: 3 bar..... Form B, industry	40
5/2-directional valve, Series 581, size 1, with differential piston..... Form B, industry	43
5/2-directional valve, Series 581, size 1, Single Solenoid..... EN 175301-803, form A	46
5/2-directional valve, Series 581, size 1, Single Solenoid..... EN 175301-803, form A	48

Product overview

	Page
5/2-directional valve, Series 581, size 1, Max. control pressure: 10 bar..... EN 175301-803, form A	50
5/2-directional valve, Series 581, size 1, Max. control pressure: 16 bar..... EN 175301-803, form A	52
5/2-directional valve, Series 581, size 1, Min. Single Solenoid, control pressure: 3 bar..... EN 175301-803, form A - Single Solenoid - without detent	54
5/2-directional valve, Series 581, size 1, Double Solenoid, Min. control pressure: 1,5 bar..... EN 175301-803, form A	56
5/2-directional valve, Series 581, size 1, with differential piston, Operating pressure 0 ... 10 bar..... EN 175301-803, form A	58
5/2-directional valve, Series 581, size 1, with differential piston, Operating pressure 0 ... 16 bar..... EN 175301-803, form A	60
5/2-directional valve, Series 581, size 1, with differential piston..... EN 175301-803, form A	62
5/2-directional valve, Series 581, size 1, Double Solenoid..... EN 175301-803, form A	64
5/2-directional valve, Series 581, size 1, with differential piston, Min. control pressure: 1,5 bar..... EN 175301-803, form A	65
5/2-directional valve, Series 581, size 1, with differential piston, Min. control pressure: 3 bar..... EN 175301-803, form A	66
5/2-directional valve, Series 581, size 1..... EN 175301-803, form A - with detent without detent - Soft seal	67
Electrically operated 5/3	
5/3-directional valve, Series 581, size 1..... ISO 15217, form C	68
5/3-directional valve, Series 581, size 1, LED.....	70
5/3-directional valve, Series 581, size 1, exhausted center..... M12	72
5/3-directional valve, Series 581, size 1, closed center..... M12	74
5/3-directional valve, Series 581, size 1, pressurized center..... M12	76
5/3-directional valve, Series 581, size 1.....	78
5/3-directional valve, Series 581, size 1 ATEX.....	79
5/3-directional valve, Series 581, size 1, Max. control pressure: 10 bar..... EN 175301-803, form A	80
5/3-directional valve, Series 581, size 1, Max. control pressure: 16 bar..... EN 175301-803, form A	83
5/3-directional valve, Series 581, size 1..... EN 175301-803, form A	86
5/3-directional valve, Series 581, size 1..... EN 175301-803, form A	89
Pneumatically operated 2x3/2	
2x3/2-directional valve, Series 581, size 1..... Single Air Pilot - Soft seal	91
2x3/2-directional valve, Series 581, size 1.....	92

Pneumatically operated 5/2

Product overview

	Page
5/2-directional valve, Series 581, size 1, with differential piston.....	93
Soft seal	
5/2-directional valve, Series 581, size 1.....	94
Double Air Pilot - without - Soft seal	
5/2-directional valve, Series 581, size 1.....	95
Double Air Pilot - without detent - Soft seal	
5/2-directional valve, Series 581, size 1, double air pilot, manual override: without.....	96
Soft seal	
5/2-directional valve, Series 581, size 1, with differential piston.....	97
5/2-directional valve, Series 581, size 1.....	98
Double Air Pilot - Soft seal	
5/2-directional valve, Series 581, size 1 ATEX.....	99
5/2-directional valve, Series 581, size 1.....	100
Soft seal	
Pneumatically operated 5/3	
5/3-directional valve, Series 581, size 1.....	101
Soft seal	
5/3-directional valve, Series 581, size 1 ATEX.....	102
Accessories overview Electrical connection technologies	
Coil, Series CO1, with cable, ATEX.....	103
Cable with valve plug connector - ATEX	
Coil, Series CO1, Form B, industry.....	105
Form B, industry - Plug	
Valve plug connector with cable series CON-VP, Form B industry, 0° female insert.....	107
Valve plug connector, series CON-VP, form C, 300 V DC / 250 V AC.....	109
Valve plug connector with cable series CON-VP, Form A.....	112
Varistor - 230 V AC/DC	
Valve plug connector with cable series CON-VP, Form A.....	114
230 V AC/DC	
Valve plug connector, series CON-VP, Form A, 300 V DC / 250 V AC, 2-pin.....	116
Valve plug connector, series CON-VP, Form A, 300 V DC / 250 V AC, 3-pin.....	118
Valve plug connector, series CON-VP, form A, 115/230 V AC/DC.....	120
Valve plug connector, series CON-VP, Form A, 230 V AC/DC, Profile seal.....	122
Valve plug connector, series CON-VP, Form A, 24 V AC/DC, Flat gasket.....	124
Valve plug connector, series CON-VP, Form A, 24 V AC/DC, Profile seal.....	126
Valve plug connector, series CON-VP, Form A, 24 V DC.....	128
Valve plug connector, series CON-VP, Form B, industry, 300 V DC / 250 V AC.....	130
Valve plug connector, series CON-VP, Form B, industry, 115/230 V AC/DC.....	132
Valve plug connector, series CON-VP, Form B, industry, 24 V AC/DC.....	134
Valve plug connector, series CON-VP, 0° female insert.....	136
Z-diode - 24 V AC/DC	
Valve plug connector with cable series CON-VP,, 180° female insert.....	139
Z-diode - 24 V AC/DC	
Accessories overview Mechanical pressure regulation systems	
Pressure regulator for vertical stacking, Controlled connection 1/2/4.....	142
Pressure regulator for vertical stacking, Controlled connection 2/4.....	145
Accessories overview Mechanical accessories	

Product overview

	Page
Accessories, for intermediate plates.....	147
ISO 5599-1	
Maintenance plate to exchange valve.....	148
ISO 5599-1	
Seal for supply plate, separate channel 1, connect channels 5 and 3.....	149
ISO 5599-1	
Seal for supply plate, separate channels 1, 3 and 5.....	151
ISO 5599-1	
Valve cover seal, Valve housing seal.....	153
Control unit for manual override.....	154
Blanking piece.....	156
according to ISO 5599	
Separator set.....	157
ISO 5599-1	
throttle insert for flow control, Port 3/5.....	158
plug set for flow control screws.....	160
valve cover, with or without pilot valve.....	161
ISO 5599-1	
valve housing, without cover.....	162
Aluminum - ISO 5599-1	
valve housing, without cover.....	163
Plastic - ISO 5599-1	
Mecproof, cabinet mounting.....	164
ISO 5599-1	
Blanking piece, Subbases ISO 5599-1.....	165
ISO 5599-1	
Accessories overview Pilot valves	
Pilot valve with cable.....	166
without detent	
Pilot valve.....	167
without detent	
Pilot valve.....	168
Pilot valve.....	169
3/2-directional valve.....	171
Accessories overview Soft-start valve	
Soft-start valve.....	172
Soft-start valve, Pilot valve on top.....	173
Soft-start valve, Pilot valve on side.....	175
Soft-start valve.....	177
Soft-start valve.....	179
Single Air Pilot	
Single subbase, for soft-start valve.....	180
Accessories overview base plates	
Transition plate, Port 1 open.....	181
Transition plate, Port 1, 3, 5 open.....	182
Transition plate, Port 1, 3, 5, 12, 14 open.....	183
Transition plate, Port 1, 3, 5 and 12 or 14 open.....	184
Transition plate, Port 3, 5 open.....	185

Product overview

	Page
Transition plate, Blanking plate.....	186
Transition plate, ISO 1, ISO 2.....	187
Transition plate, ISO 1 > ISO 2.....	188
Transition plate, ISO 2 > ISO 3.....	189
Transition plate, ISO 1 > ISO 3.....	190
Subbase, for direct mounting of ISO valves on cylinders.....	191
Single subbase, ports on side.....	192
Single subbase, ports on bottom.....	193
Single subbase, thread connections on the side.....	194
Angle subplate.....	196
Intermediate plate for separate air supply, ports 2 and 4 on bottom.....	198
Supply plate.....	200
Supply plate.....	201
Base plate, ports 2 and 4 on bottom.....	202
Base plate, Ports 2 and 4 side or bottom.....	204
Base plate, ports 2 and 4 on bottom.....	206
Blanking plate.....	208
End plates for adapter plate.....	209
Base plate.....	211
Throttle plate.....	213
End plate right.....	215
End plate left, End plate right.....	216
End plate left, End plate right.....	219
End plate left, End plate right.....	223
End plate left, End plate right.....	225
End plate left, End plate right.....	227
End plate left.....	229
End plate left, Inch version.....	230
ISO 5599-1, Base and end plates, Inch version.....	231
End plate right, Inch version.....	233

2x3/2-directional valve, Series 581, size 1, M12

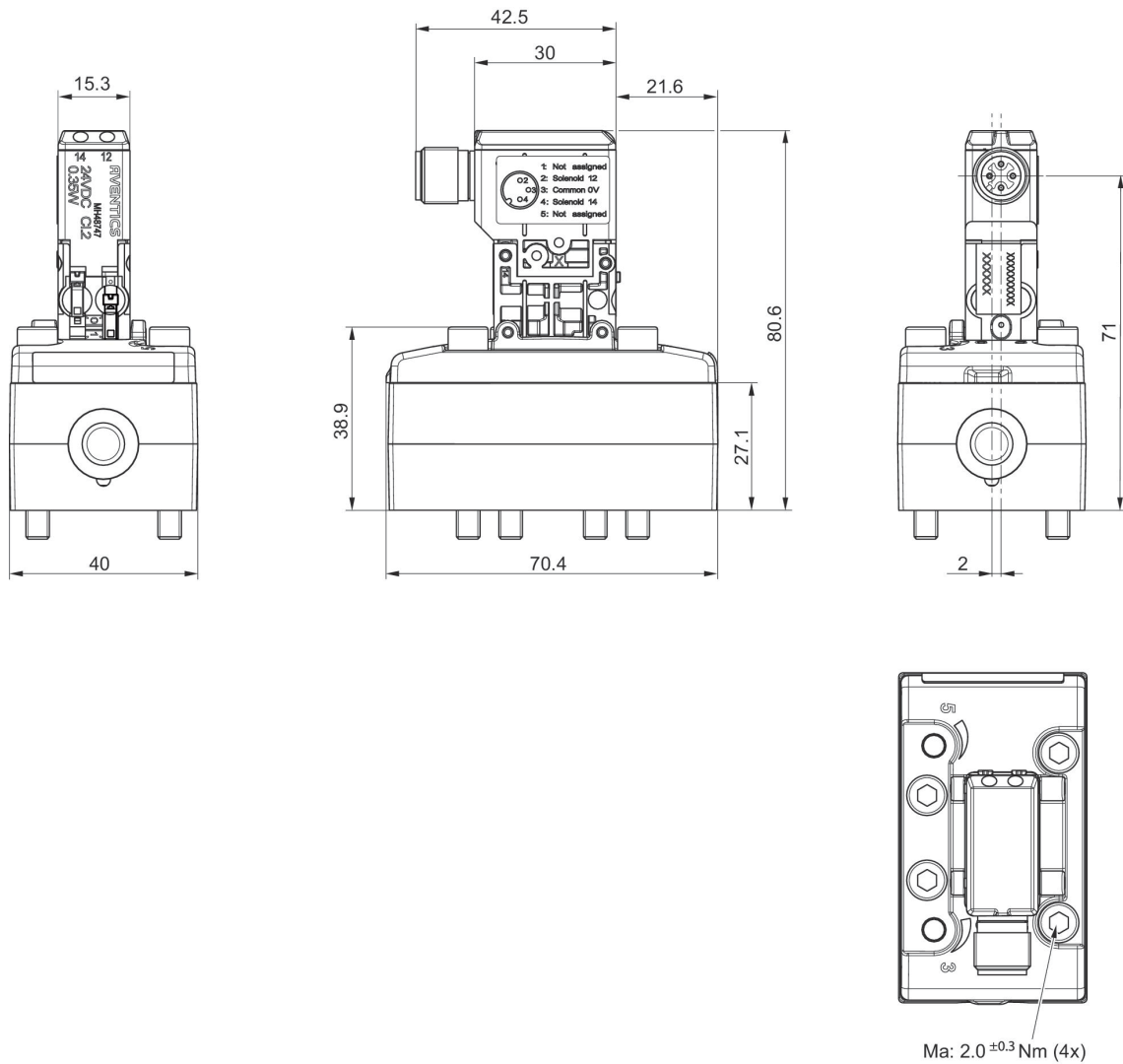
Flow: 950 l/min
 Activation: Electrically
 Control pressure min./max.: 3.5 bar ... 8 bar
 Duty cycle: 100 %
 Type: Spool valve
 Ambient temperature min./max.: -10 °C ... 50 °C
 Medium temperature min./max.: -10 °C ... 50 °C
 Working pressure min./max.: 0 bar ... 8 bar



	Switching principle	Operational voltage	Voltage tolerance DC	Power consumption DC [W]	Switch-on time [ms]	Switch-off time [ms]	Pilot	Part No.
	2x 3/2 NC/NC, with spring return	24 V DC	-10 % / +10 %	0.35	12	25	External	5811822720
	2x 3/2 NC/NC, with spring return	24 V DC	-10 % / +10 %	0.35	12	25	External	5811822710

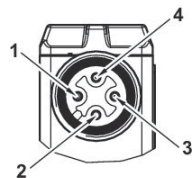
Manual override	Part No.
with detent	5811822720
without detent	5811822710

Dimensions



5811822720, 5811822710

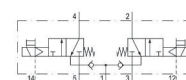
Pin assignments



- 1) not assigned
- 2) Coil 12
- 3) 0 V DC
- 4) Coil 14

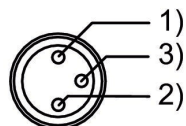
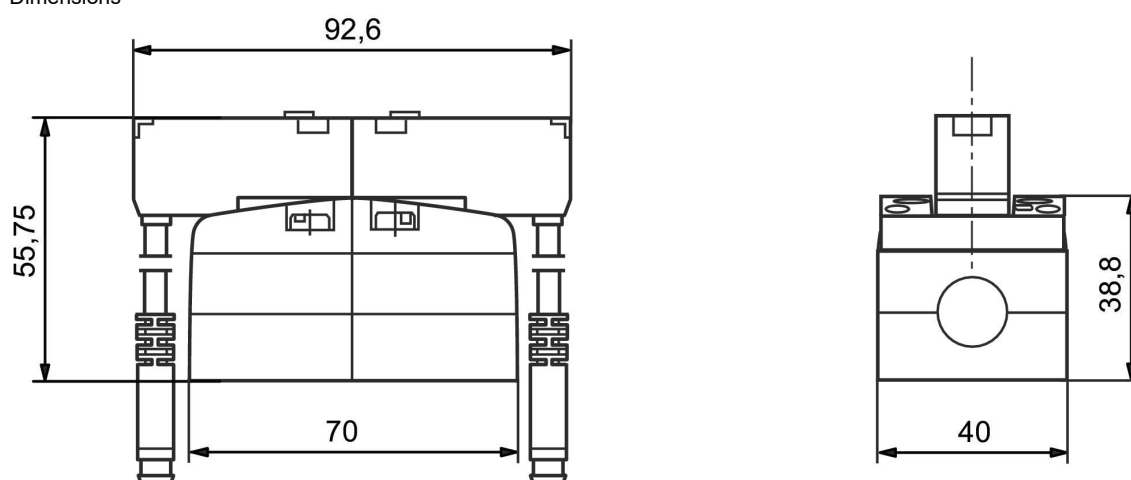
2x3/2-directional valve, Series 581, size 1

Flow: 950 l/min
 Activation: Electrically
 Control pressure min./max.: 3.5 bar ... 8 bar
 Duty cycle: 100 %
 Type: Spool valve
 Ambient temperature min./max.: -10 °C ... 50 °C
 Medium temperature min./max.: -10 °C ... 50 °C
 Working pressure min./max.: 0 bar ... 8 bar



Switching principle	Operational voltage	Voltage tolerance DC	Cable length L [m]	Power consumption DC [W]	Switch-on time [ms]	Switch-off time [ms]	Pilot	Part No.
2x 3/2 NC/NC, with spring return	24 V DC	-10 % / +10 %	0.5	2.2	15	22	External	R402003704

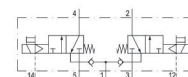
Dimensions



Pin assignment 1) brown (+24 V) 2) green/yellow (ground) 3) blue (0 V)

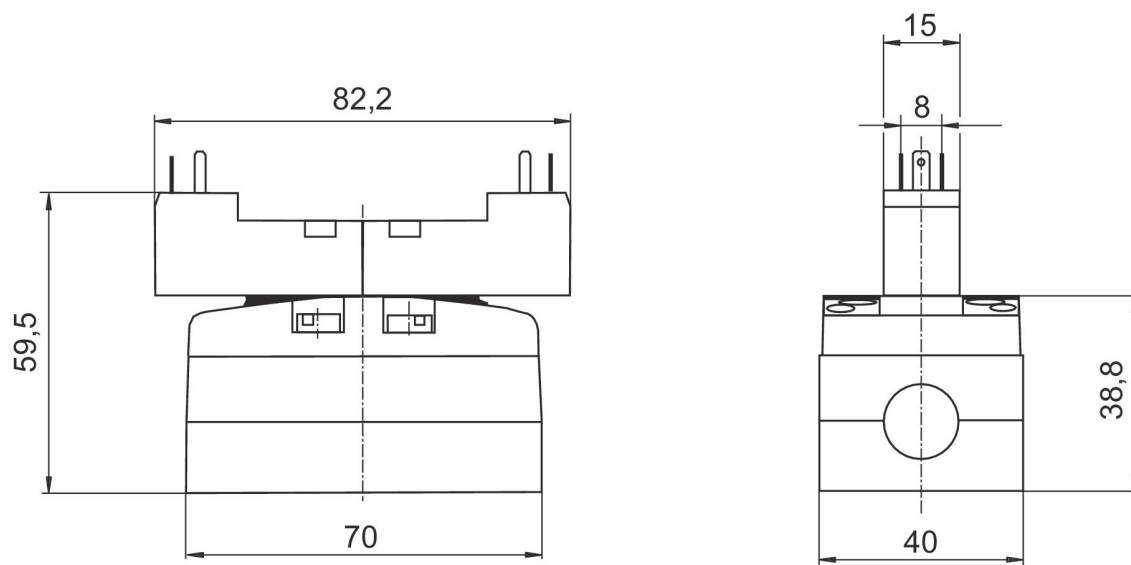
2x3/2-directional valve, Series 581, size 1, form C

Flow: 950 l/min
 Activation: Electrically
 Control pressure min./max.: 3.5 bar ... 8 bar
 Duty cycle: 100 %
 Type: Spool valve
 Ambient temperature min./max.: -10 °C ... 50 °C
 Medium temperature min./max.: -10 °C ... 50 °C
 Working pressure min./max.: 0 bar ... 8 bar



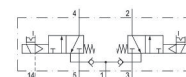
Switching principle	Operational voltage	Voltage tolerance DC	Power consumption DC [W]	Switch-on time [ms]	Switch-off time [ms]	Pilot	Part No.
2x 3/2 NC/NC, with spring return	24 V DC	-10 % / +10 %	2	15	22	External	R402003702

Dimensions



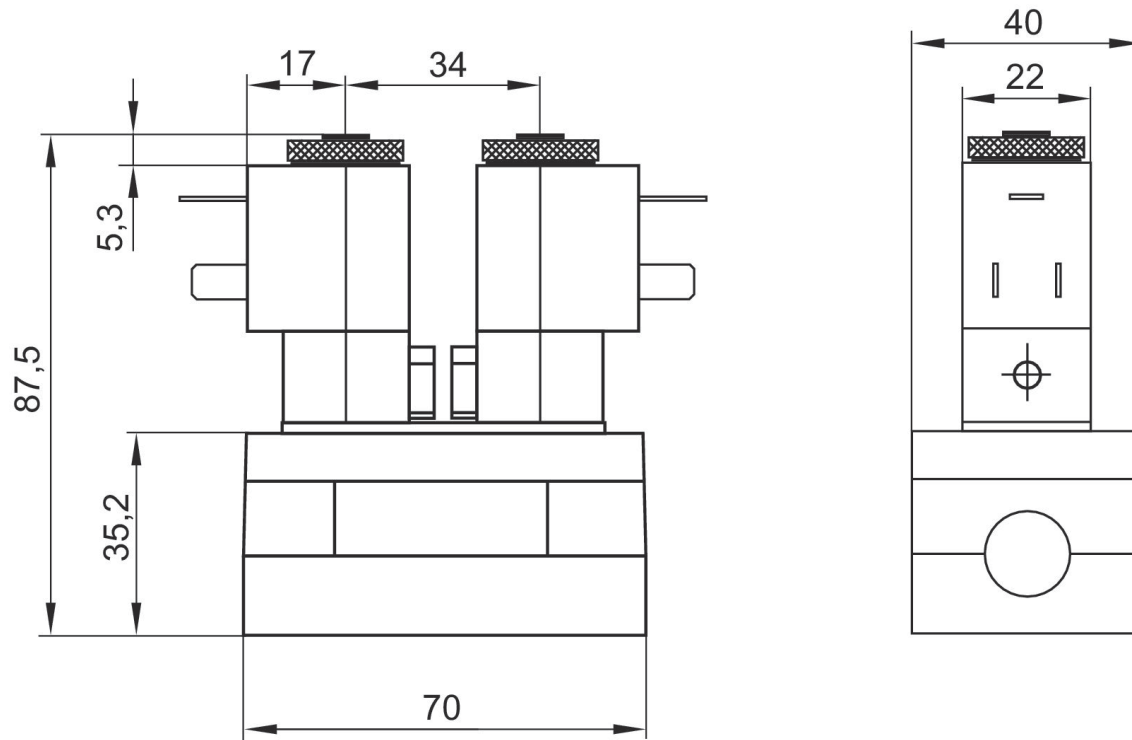
2x3/2-directional valve, Series 581, size 1

Flow: 950 l/min
 Activation: Electrically
 Control pressure min./max.: 3.5 bar ... 8 bar
 Duty cycle: 100 %
 Type: Spool valve
 Ambient temperature min./max.: -15 °C ... 50 °C
 Medium temperature min./max.: -15 °C ... 50 °C
 Working pressure min./max.: 0 bar ... 8 bar



Switching principle	Operational voltage	Voltage tolerance DC	Power consumption DC [W]	Switch-on time [ms]	Switch-off time [ms]	Pilot	Part No.
2x 2/2 NC/NC, with spring return	12 V DC	-10 % / +10 %	5	12	22	External	R402003714
2x 3/2 NC/NC, with spring return	24 V AC			12	22	External	R402003711
2x 3/2 NC/NC, with spring return	24 V DC	-10 % / +10 %	5	12	22	External	R402003710
2x 3/2 NC/NC, with spring return	48 V DC	-10 % / +10 %	5	12	22	External	R402003715
2x 3/2 NC/NC, with spring return	110 V AC			12	22	External	R402003712
2x 3/2 NC/NC, with spring return	230 V AC			12	22	External	R402003713
2x 3/2 NC/NC, with spring return				12	22	External	R402003709

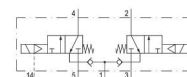
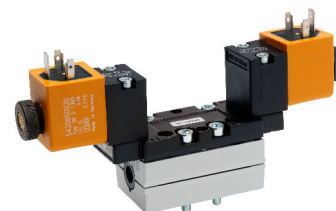
Dimensions



The pilot valves can be loosened and turned through 180°.

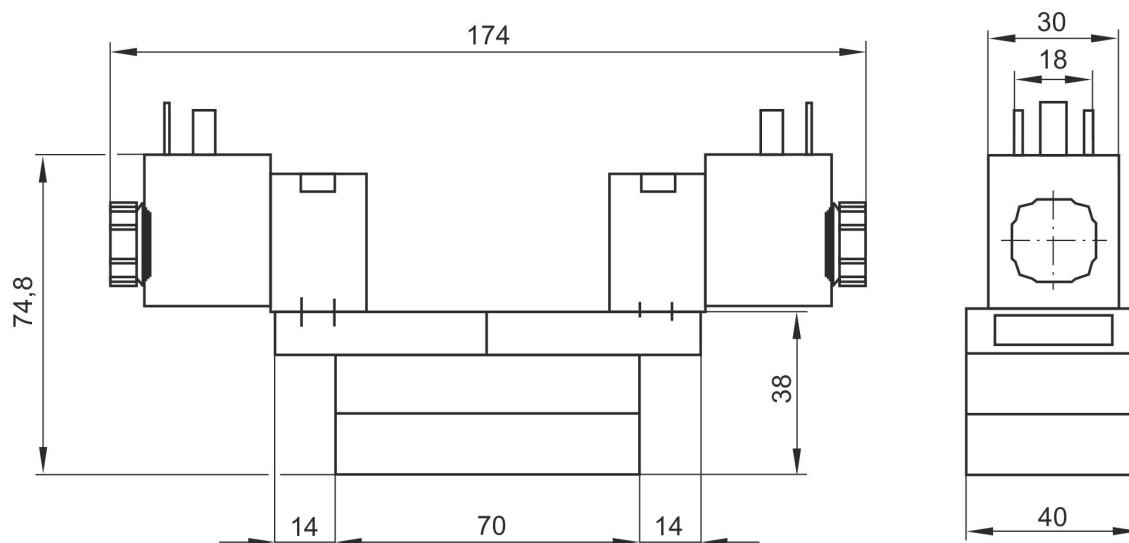
2x3/2-directional valve, Series 581, size 1, With spring return, manual override: without

Flow: 950 l/min
 Activation: Electrically
 Control pressure min./max.: 3.5 bar ... 8 bar
 Duty cycle: 100 %
 Type: Spool valve
 Ambient temperature min./max.: -15 °C ... 50 °C
 Medium temperature min./max.: -15 °C ... 50 °C
 Working pressure min./max.: 0 bar ... 8 bar



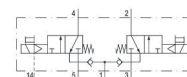
Switching principle	Operational voltage	Voltage tolerance DC	Power consumption DC [W]	Switch-on time [ms]	Switch-off time [ms]	Pilot	Part No.
2x 3/2 NC/NC, with spring return	24 V DC	-10 % / +10 %	6.7	12	29	External	R402003721
2x 2/2 NC/NC, with spring return	230 V AC			12	29	External	R402003720

Dimensions



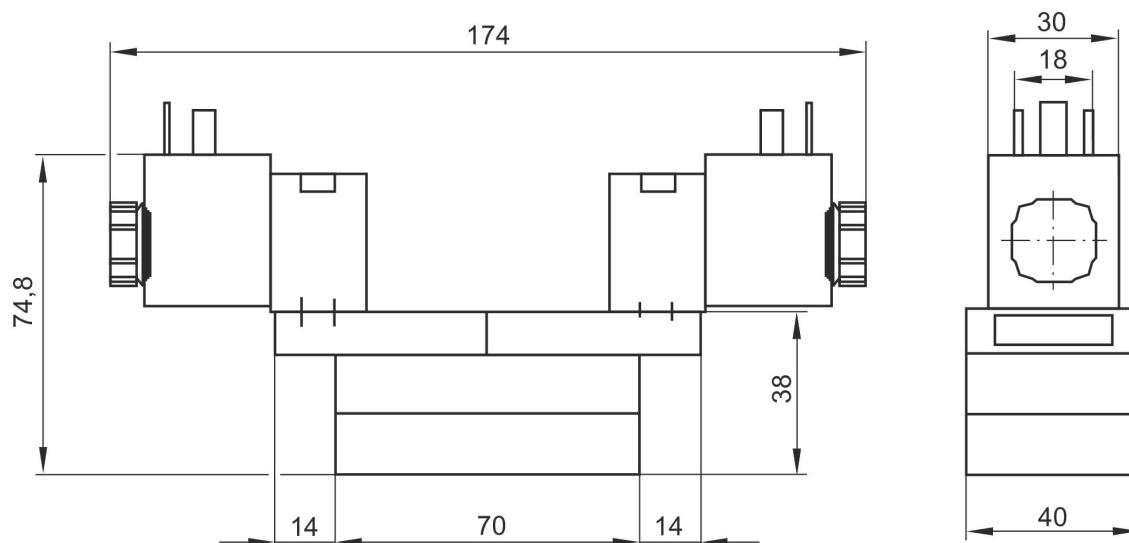
2x3/2-directional valve, Series 581, size 1, With spring return, manual override: without detent

Flow: 950 l/min
 Activation: Electrically
 Control pressure min./max.: 3.5 bar ... 8 bar
 Duty cycle: 100 %
 Type: Spool valve
 Ambient temperature min./max.: -15 °C ... 50 °C
 Medium temperature min./max.: -15 °C ... 50 °C
 Working pressure min./max.: 0 bar ... 8 bar



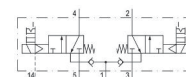
Switching principle	Operational voltage	Voltage tolerance DC	Power consumption DC [W]	Switch-on time [ms]	Switch-off time [ms]	Pilot	Part No.
2x 3/2 NC/NC, with spring return	24 V DC / 42 V AC	-10 % / +10 %	6.7	12	29	External	R402003717
2x 3/2 NC/NC, with spring return	230 V AC			12	29	External	R402003716

Dimensions



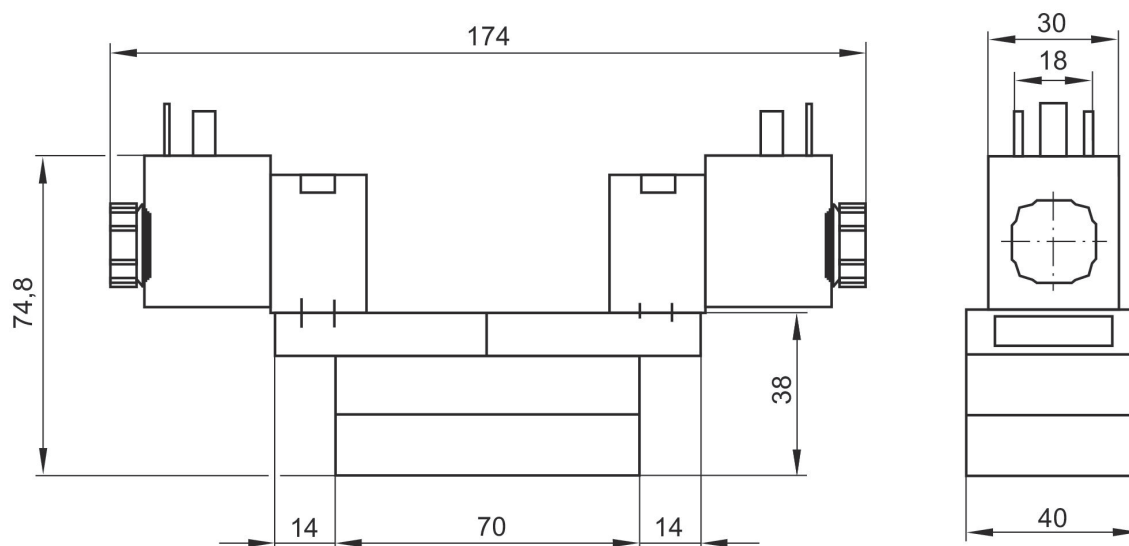
2x3/2-directional valve, Series 581, size 1, Double Solenoid

Flow: 950 l/min
 Activation: Electrically
 Control pressure min./max.: 3.5 bar ... 8 bar
 Duty cycle: 100 %
 Type: Spool valve
 Ambient temperature min./max.: -15 °C ... 50 °C
 Medium temperature min./max.: -15 °C ... 50 °C
 Working pressure min./max.: 0 bar ... 8 bar



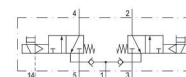
Switching principle	Operational voltage	Voltage tolerance DC	Power consumption DC [W]	Switch-on time [ms]	Switch-off time [ms]	Pilot	Compatibility index	Part No.
5/2, double solenoid	24 V DC	-10 % / +10 %	2	12	29	External	14	R402003719
5/2, double solenoid	230 V AC			12	29	External	14	R402003718

Dimensions



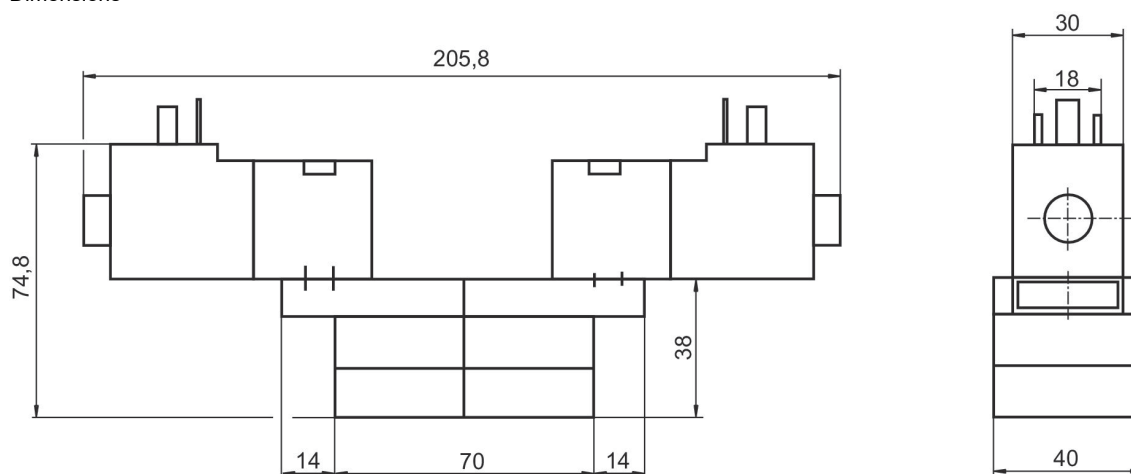
2x3/2-directional valve, Series 581, size 1, With spring return, manual override: without detent

Flow: 950 l/min
 Activation: Electrically
 Control pressure min./max.: 3.5 bar ... 8 bar
 Duty cycle: 100 %
 Type: Spool valve
 Ambient temperature min./max.: -15 °C ... 50 °C
 Medium temperature min./max.: -15 °C ... 50 °C
 Working pressure min./max.: 0 bar ... 8 bar



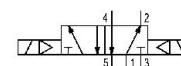
Switching principle	Operational voltage	Voltage tolerance DC	Power consumption DC [W]	Switch-on time [ms]	Switch-off time [ms]	Pilot	Part No.
2x 3/2 NC/NC, with spring return	24 V DC	-10 % / +10 %	6	12	29	External	R402003722

Dimensions



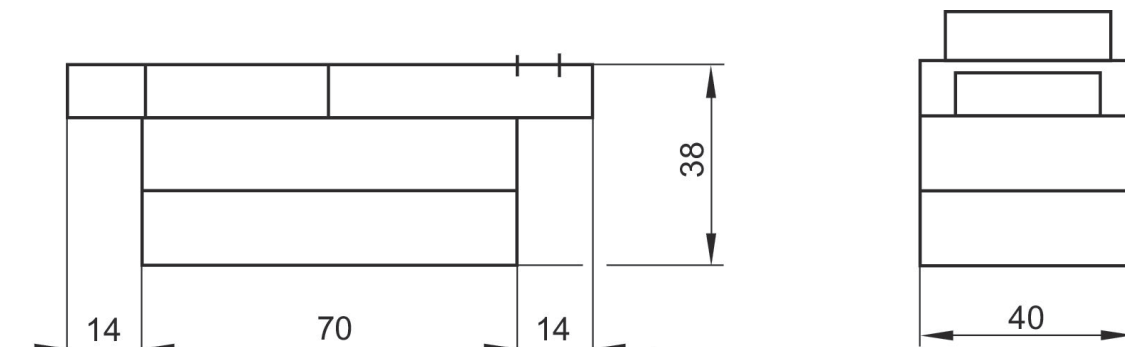
5/2-directional valve, Series 581, size 1, Basic valve for CNOMO pilot valve, ATEX

Flow: 1400 l/min
 Activation: Electrically
 Control pressure min./max.: 1.5 bar ... 16 bar
 Duty cycle: 100 %
 Type: Spool valve
 Ambient temperature min./max.: -20 °C ... 70 °C
 Medium temperature min./max.: -20 °C ... 70 °C
 Working pressure min./max.: -0.95 bar ... 16 bar



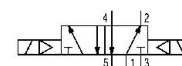
Switching principle	Pilot	Part No.
5/2, double solenoid	External, Internal	5811280100

Dimensions



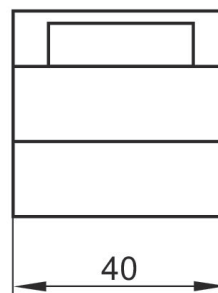
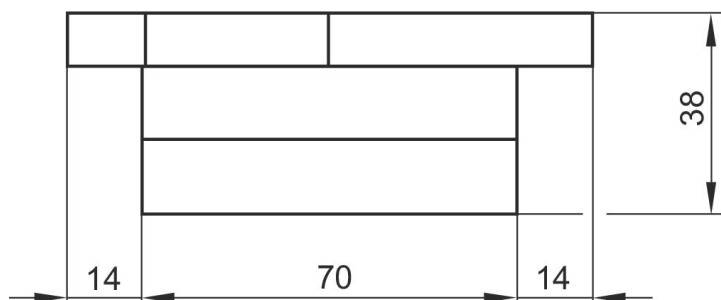
5/2-directional valve, Series 581, size 1, Basic valve for CNOMO pilot valve

Flow: 1400 l/min
 Activation: Electrically
 Control pressure min./max.: 1.5 bar ... 10 bar
 Duty cycle: 100 %
 Type: Spool valve
 Ambient temperature min./max.: -15 °C ... 50 °C
 Medium temperature min./max.: -15 °C ... 50 °C
 Working pressure min./max.: -0.95 bar ... 10 bar



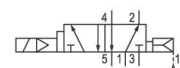
Switching principle	Pilot	Part No.
5/2, double solenoid	External, Internal	5811280080

Dimensions



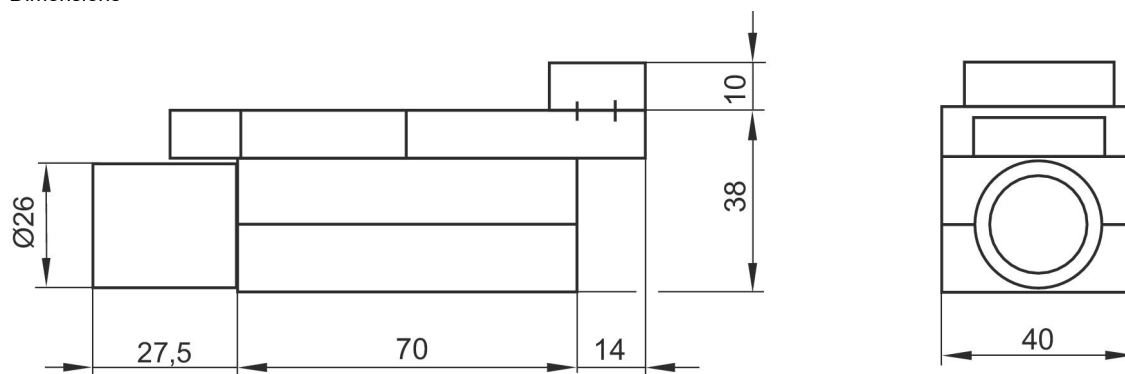
5/2-directional valve, Series 581, size 1, Basic valve for CNOMO pilot valve, with differential piston, ATEX

Flow: 1400 l/min
Activation: Electrically
Duty cycle: 100 %
Type: Spool valve



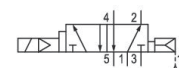
Switching principle	Pilot	Part No.
5/2, double solenoid, with differential piston	External, Internal	5811680100

Dimensions



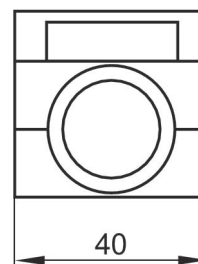
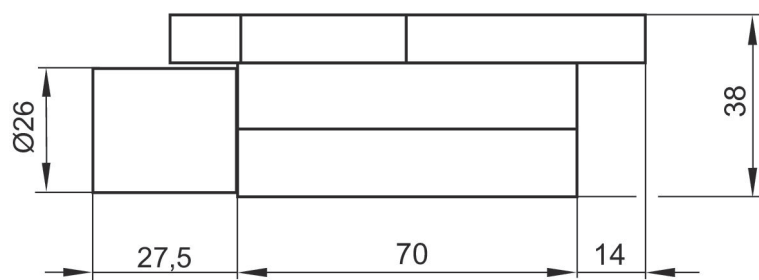
5/2-directional valve, Series 581, size 1, Basic valve for CNOMO pilot valve, with differential piston

Activation: Electrically
 Control pressure min./max.: 1.3 bar ... 10 bar
 Duty cycle: 100 %
 Type: Spool valve
 Ambient temperature min./max.: -15 °C ... 50 °C
 Medium temperature min./max.: -15 °C ... 50 °C
 Working pressure min./max.: -0.95 bar ... 10 bar



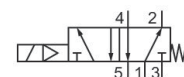
Switching principle	Pilot	Part No.
5/2, double solenoid, with differential piston	External, Internal	5811680080

Dimensions



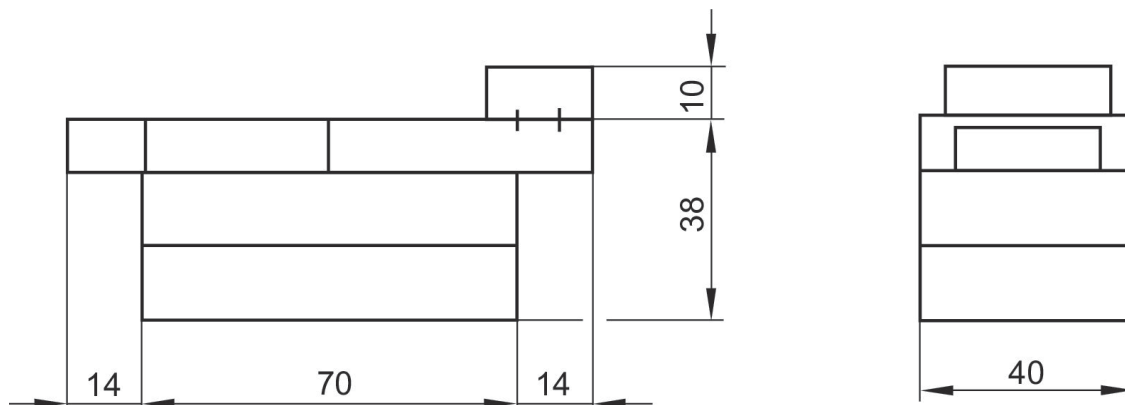
5/2-directional valve, Series 581, size 1, Basic valve for CNOMO pilot valve

Flow: 1400 l/min
 Activation: Electrically
 Control pressure min./max.: 3 bar ... 16 bar
 Duty cycle: 100 %
 Type: Spool valve
 Ambient temperature min./max.: -20 °C ... 70 °C
 Medium temperature min./max.: -20 °C ... 70 °C
 Working pressure min./max.: -0.95 bar ... 16 bar



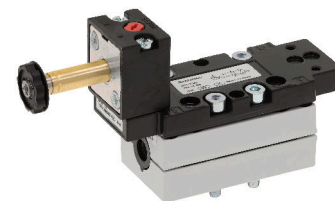
Switching principle	Pilot	Part No.
5/2, with spring return	External, Internal	5811180100

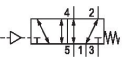
Dimensions



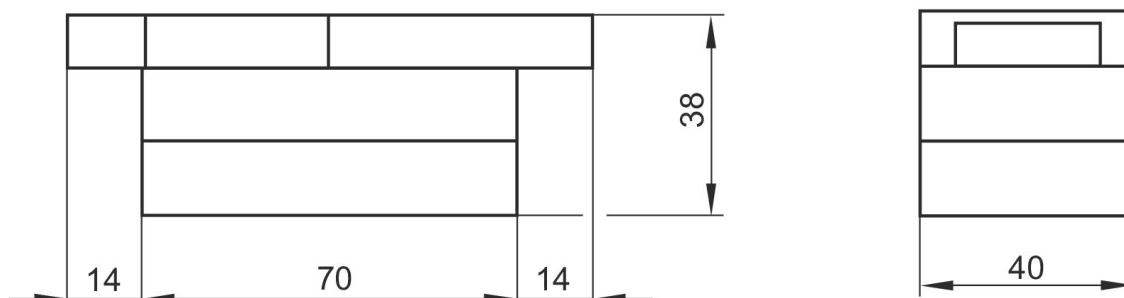
5/2-directional valve, Series 581, size 1

Flow: 1400 l/min
 Activation: Electrically
 Control pressure min./max.: 3 bar ... 10 bar
 Duty cycle: 100 %
 Type: Spool valve
 Ambient temperature min./max.: -15 °C ... 50 °C
 Medium temperature min./max.: -15 °C ... 50 °C
 Working pressure min./max.: 10 bar



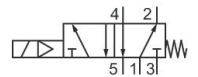
	Switching principle	Switch-on time [ms]	Switch-off time [ms]	Pilot	Compatibil-ity index	Part No.
	5/2, with spring return	15	28	Internal	14	5811170050

Dimensions



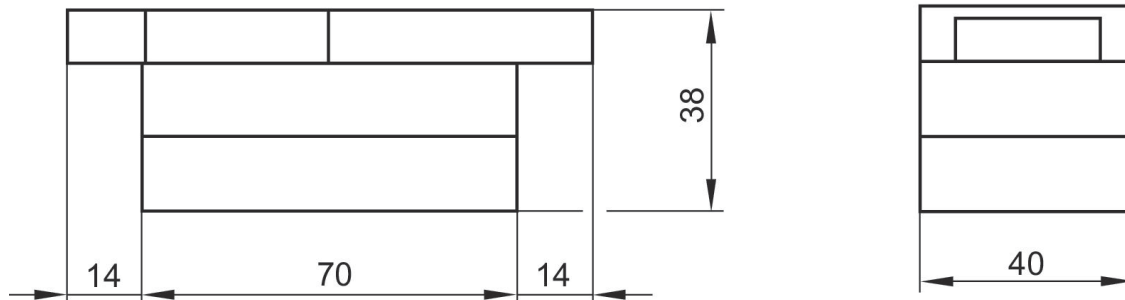
5/2-directional valve, Series 581, size 1, Basic valve for CNOMO pilot valve

Flow: 1400 l/min
 Activation: Electrically
 Control pressure min./max.: 3 bar ... 10 bar
 Duty cycle: 100 %
 Type: Spool valve
 Ambient temperature min./max.: -15 °C ... 50 °C
 Medium temperature min./max.: -15 °C ... 50 °C
 Working pressure min./max.: -0.95 bar ... 10 bar



Switching principle	Pilot	Part No.
5/2, with spring return	External, Internal	5811180080

Dimensions



5/2-directional valve, Series 581, size 1, Single Solenoid

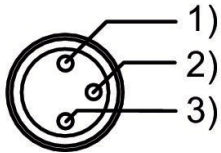
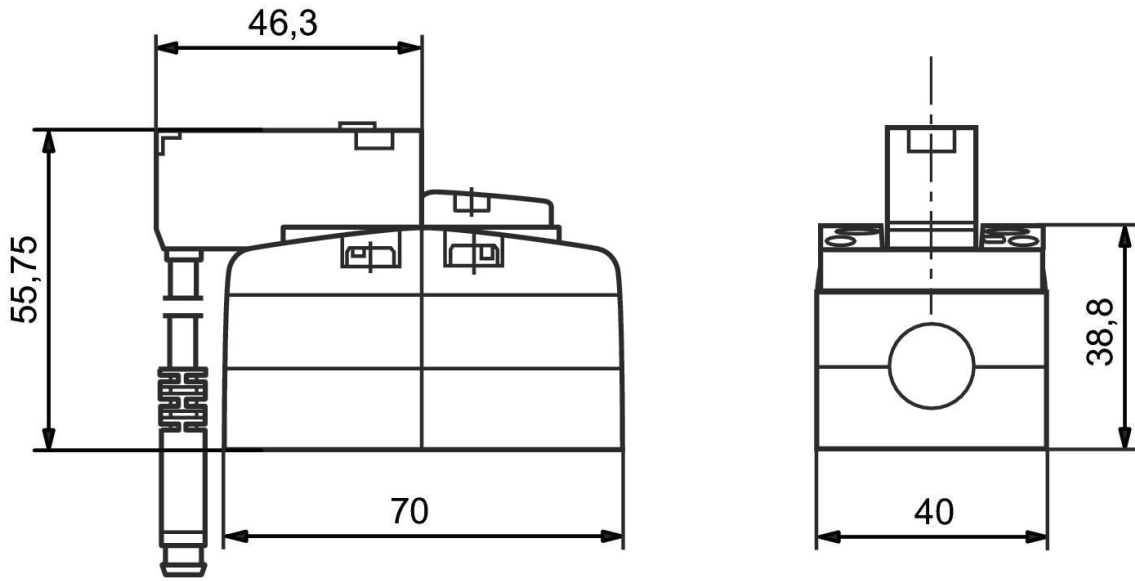
Flow: 1400 l/min
 Activation: Electrically
 Control pressure min./max.: 3 bar ... 10 bar
 Duty cycle: 100 %
 Type: Spool valve
 Ambient temperature min./max.: -10 °C ... 50 °C
 Medium temperature min./max.: -10 °C ... 50 °C
 Working pressure min./max.: 10 bar



	Switching principle	Operational voltage	Voltage tolerance DC	Cable length L [m]	Power consumption DC [W]	Switch-on time [ms]	Switch-off time [ms]	Part No.
	5/2, with spring return	24 V DC	-10 % / +10 %	0.5	2.2	15	30	5811150160
	5/2, with spring return	24 V DC	-10 % / +10 %	0.5	2.2	15	30	5811151160
	5/2, with spring return	24 V DC	-10 % / +10 %	0.5	2.2	15	30	5811152160
	5/2, with spring return	24 V DC	-10 % / +10 %	0.5	2.2	15	30	5811153160

Pilot	Throttle	Part No.
Internal		5811150160
Internal	with throttle	5811151160
External		5811152160
External	with throttle	5811153160

Dimensions



Pin assignment 1) brown (+24 V) 2) green/yellow (ground) 3) blue (0 V)

5/2-directional valve, Series 581, size 1, Double Solenoid

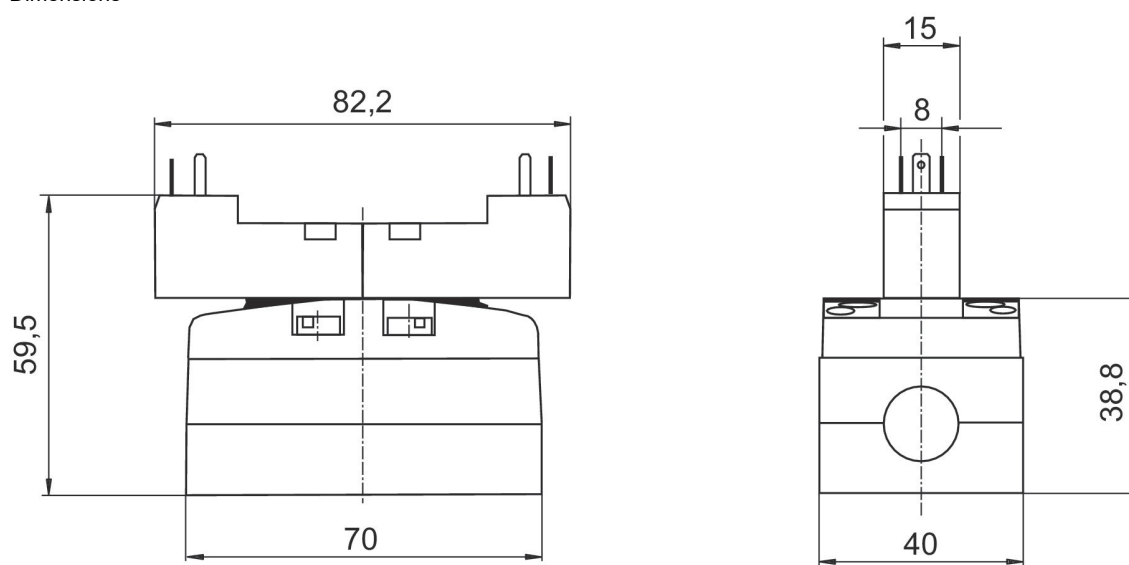
Flow: 1400 l/min
 Activation: Electrically
 Control pressure min./max.: 1.5 bar ... 10 bar
 Duty cycle: 100 %
 Type: Spool valve
 Ambient temperature min./max.: -10 °C ... 50 °C
 Medium temperature min./max.: -10 °C ... 50 °C
 Working pressure min./max.: 10 bar



	Switching principle	Operational voltage	Voltage tolerance DC	Power consumption DC [W]	Switch-on time [ms]	Switch-off time [ms]	Pilot	Part No.
	5/2, double solenoid	24 V DC	-10 % / +10 %	2	14	14	Internal	5811260130
	5/2, double solenoid	24 V DC	-10 % / +10 %	2	14	14	Internal	5811261130
	5/2, double solenoid	24 V DC	-10 % / +10 %	2	14	14	External	5811262130
	5/2, double solenoid	24 V DC	-10 % / +10 %	2	14	14	External	5811263130

Throttle	Part No.
	5811260130
with throttle	5811261130
	5811262130
with throttle	5811263130

Dimensions



5/2-directional valve, Series 581, size 1, Min. control pressure: 1,5 bar

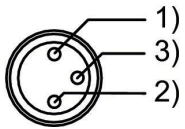
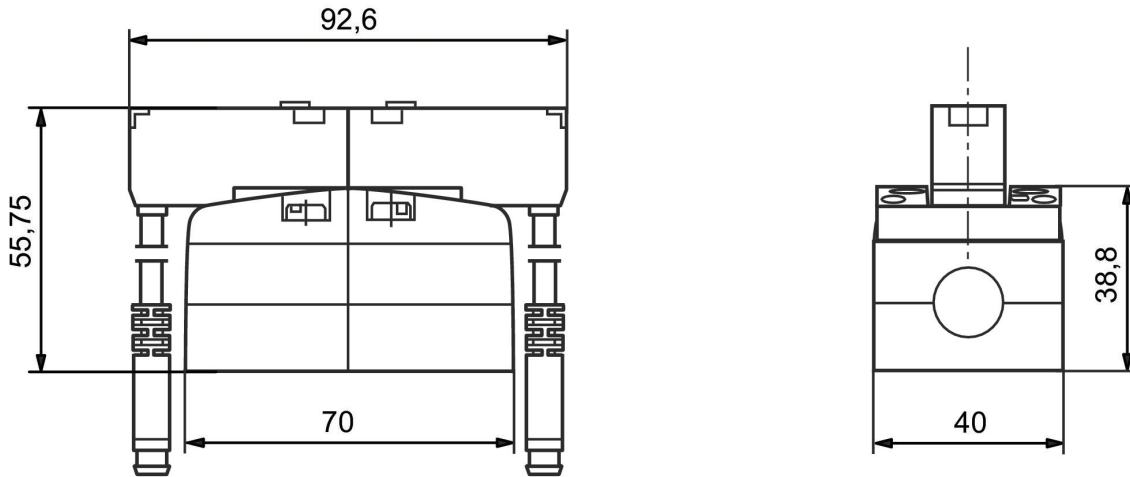
Flow: 1400 l/min
 Activation: Electrically
 Control pressure min./max.: 1.5 bar ... 10 bar
 Duty cycle: 100 %
 Type: Spool valve
 Ambient temperature min./max.: -10 °C ... 50 °C
 Medium temperature min./max.: -10 °C ... 50 °C
 Working pressure min./max.: 10 bar



	Switching principle	Operational voltage	Voltage tolerance DC	Cable length L [m]	Power consumption DC [W]	Switch-on time [ms]	Switch-off time [ms]	Part No.
	5/2, double solenoid	24 V DC	-10 % / +10 %	0.5	2.2	14	14	5811260160
	5/2, double solenoid	24 V DC	-10 % / +10 %	0.5	2.2	14	14	5811261160
	5/2, double solenoid	24 V DC	-10 % / +10 %	0.5	2.2	14	14	5811262160
	5/2, double solenoid	24 V DC	-10 % / +10 %	0.5	2.2	14	14	5811263160

Pilot	Throttle	Part No.
Internal		5811260160
Internal	with throttle	5811261160
External		5811262160
External	with throttle	5811263160

Dimensions



Pin assignment 1) brown (+24 V) 2) green/yellow (ground) 3) blue (0 V)

5/2-directional valve, Series 581, size 4, Min. control pressure: 3 bar

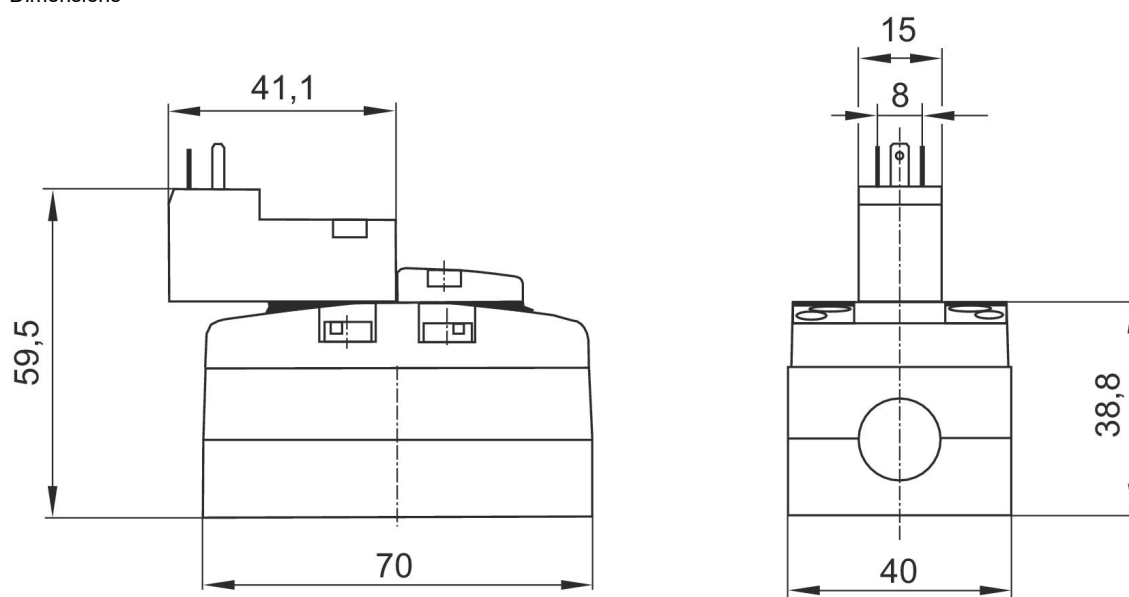
Flow: 1400 l/min
 Activation: Electrically
 Control pressure min./max.: 3 bar ... 10 bar
 Duty cycle: 100 %
 Type: Spool valve
 Ambient temperature min./max.: -10 °C ... 50 °C
 Medium temperature min./max.: -10 °C ... 50 °C
 Working pressure min./max.: 10 bar



	Switching principle	Operational voltage	Voltage tolerance DC	Power consumption DC [W]	Switch-on time [ms]	Switch-off time [ms]	Pilot	Part No.
	5/2, with spring return	24 V DC	-10 % / +10 %	2	15	30	Internal	5811150130
	5/2, with spring return	24 V DC	-10 % / +10 %	2	15	30	Internal	5811151130
	5/2, with spring return	24 V DC	-10 % / +10 %	2	15	30	External	5811152130
	5/2, with spring return	24 V DC	-10 % / +10 %	2	15	30	External	5811153130

Throttle	Part No.
	5811150130
with throttle	5811151130
	5811152130
with throttle	5811153130

Dimensions



5/2-directional valve, Series 581, size 1, M12, Min. control pressure: 1,7 bar

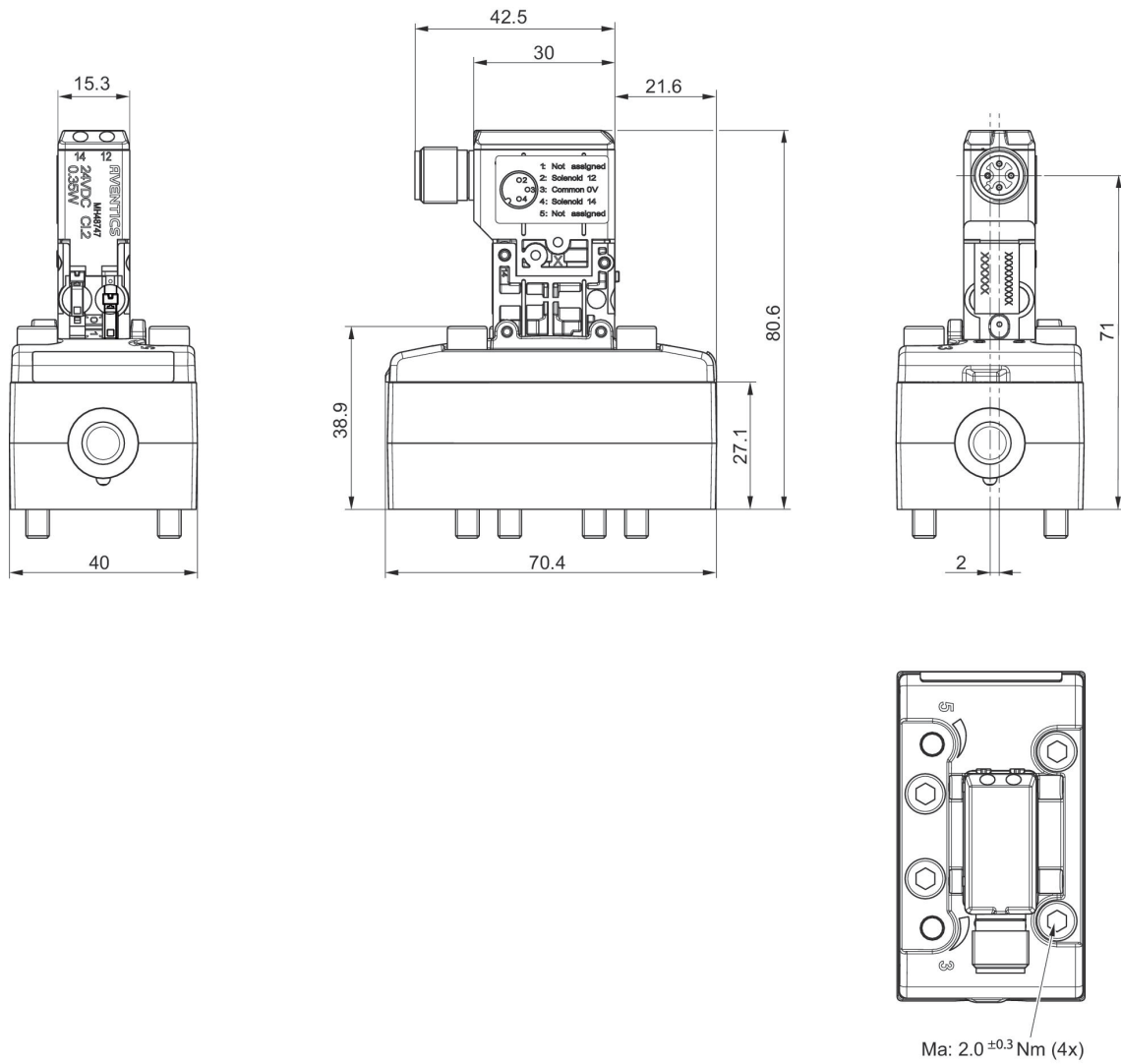
Flow: 4800 l/min
 Activation: Electrically
 Control pressure min./max.: 1.7 bar ... 10 bar
 Duty cycle: 100 %
 Type: Spool valve
 Ambient temperature min./max.: -10 °C ... 60 °C
 Medium temperature min./max.: -10 °C ... 60 °C
 Working pressure min./max.: 10 bar



	Switching principle	Operational voltage	Voltage tolerance DC	Power consumption DC [W]	Switch-on time [ms]	Switch-off time [ms]	Pilot	Part No.
	5/2, double solenoid	24 V DC	-10 % / +10 %	0.35	12	12	External	5811222720
	5/2, double solenoid	24 V DC	-10 % / +10 %	0.35	12	12	External	5811222710
	5/2, double solenoid	24 V DC	-10 % / +10 %	0.35	12	12	Internal	5811220720
	5/2, double solenoid	24 V DC	-10 % / +10 %	0.35	12	12	Internal	5811220710
	5/2, double solenoid	24 V DC	-10 % / +10 %	0.35	12	12	External	5811223720
	5/2, double solenoid	24 V DC	-10 % / +10 %	0.35	12	12	External	5811223710
	5/2, double solenoid	24 V DC	-10 % / +10 %	0.35	12	12	Internal	5811221720
	5/2, double solenoid	24 V DC	-10 % / +10 %	0.35	12	12	Internal	5811221710

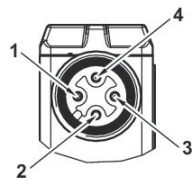
Throttle	Manual override	Part No.
	without detent	5811222720
		5811222710
	without detent	5811220720
		5811220710
with throttle	without detent	5811223720
with throttle		5811223710
with throttle	without detent	5811221720
with throttle		5811221710

Dimensions



5811222720, 5811222710, 5811220720, 5811220710, 5811223720, 5811223710, 5811221720, 5811221710

Pin assignments



- 1) not assigned
- 2) Coil 12
- 3) 0 V DC
- 4) Coil 14

5/2-directional valve, Series 581, size 1, M12, Min. control pressure: 2,8 bar

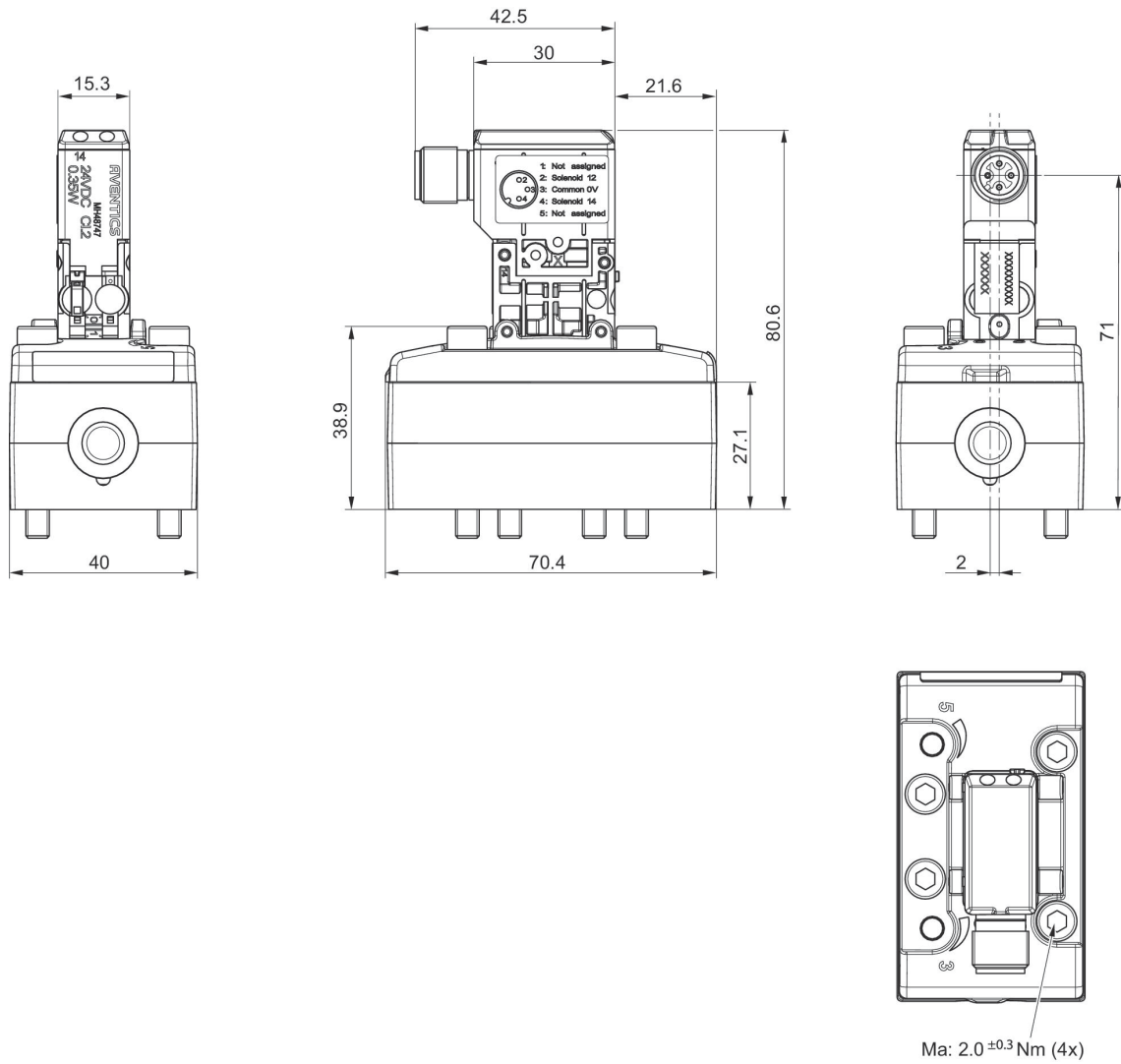
Flow: 4800 l/min
 Activation: Electrically
 Control pressure min./max.: 2.8 bar ... 10 bar
 Duty cycle: 100 %
 Type: Spool valve
 Ambient temperature min./max.: -10 °C ... 60 °C
 Medium temperature min./max.: -10 °C ... 60 °C
 Working pressure min./max.: 10 bar



	Switching principle	Operational voltage	Voltage tolerance DC	Power consumption DC [W]	Switch-on time [ms]	Switch-off time [ms]	Pilot	Part No.
	5/2, with spring return	24 V DC	-10 % / +10 %	0.35	12	25	External	5811112720
	5/2, with spring return	24 V DC	-10 % / +10 %	0.35	12	25	External	5811112710
	5/2, with spring return	24 V DC	-10 % / +10 %	0.35	12	25	Internal	5811110720
	5/2, with spring return	24 V DC	-10 % / +10 %	0.35	12	25	Internal	5811110710
	5/2, with spring return	24 V DC	-10 % / +10 %	0.35	12	25	External	5811113720
	5/2, with spring return	24 V DC	-10 % / +10 %	0.35	12	25	External	5811113710
	5/2, with spring return	24 V DC	-10 % / +10 %	0.35	12	25	Internal	5811111720
	5/2, with spring return	24 V DC	-10 % / +10 %	0.35	12	25	Internal	5811111710

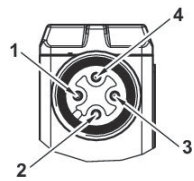
Throttle	Manual override	Part No.
	with detent	5811112720
	without detent	5811112710
	with detent	5811110720
	without detent	5811110710
with throttle	with detent	5811113720
with throttle	without detent	5811113710
with throttle	with detent	5811111720
with throttle	without detent	5811111710

Dimensions



5811112720, 5811112710, 5811110720, 5811110710, 5811113720, 5811113710, 5811111720, 5811111710

Pin assignments



- 1) not assigned
- 2) Coil 12
- 3) 0 V DC
- 4) Coil 14

5/2-directional valve, Series 581, size 1, with differential piston

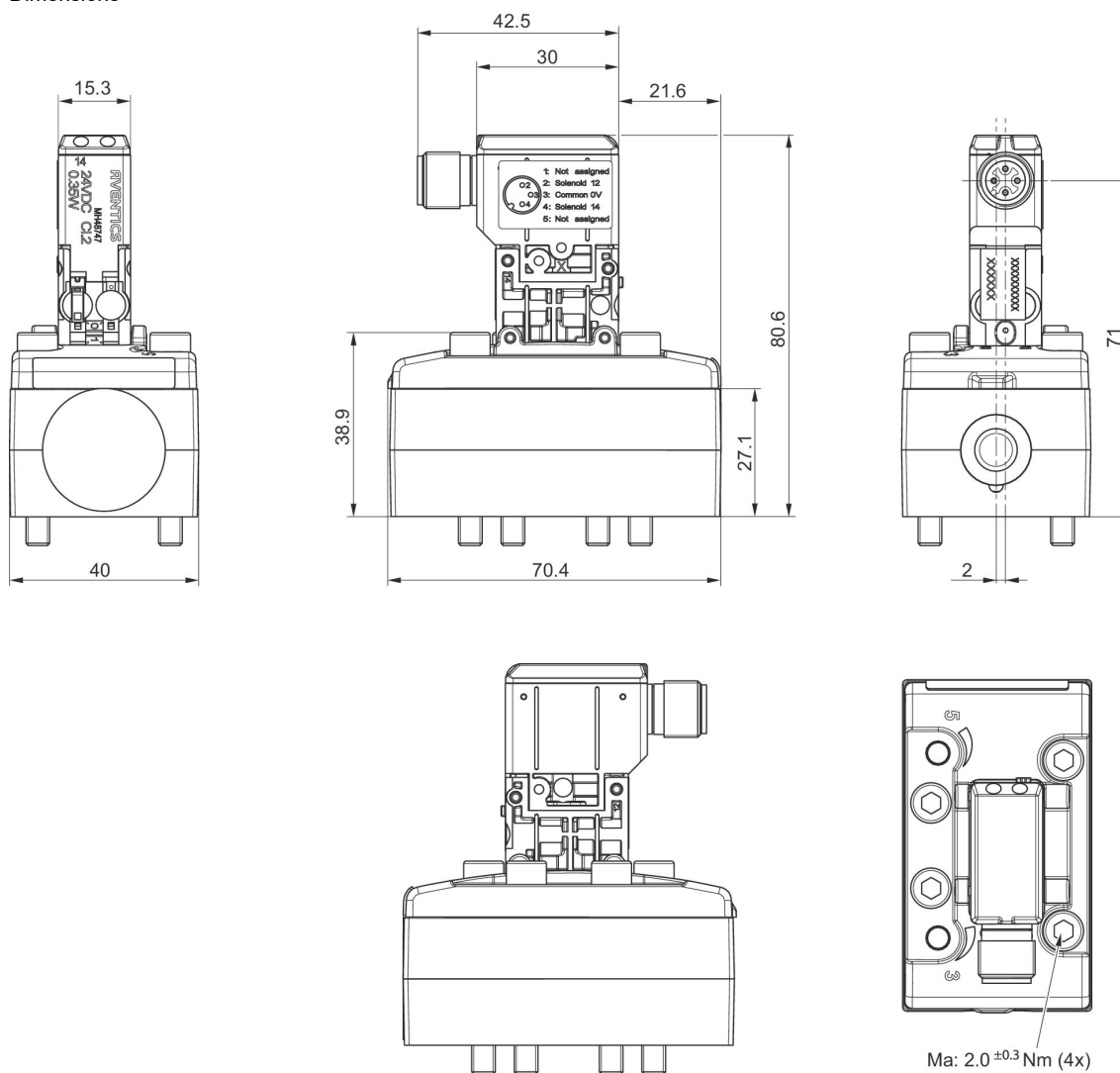
Flow: 4800 l/min
 Activation: Electrically
 Control pressure min./max.: 2.3 bar ... 10 bar
 Duty cycle: 100 %
 Type: Spool valve
 Ambient temperature min./max.: -10 °C ... 60 °C
 Medium temperature min./max.: -10 °C ... 60 °C
 Working pressure min./max.: 10 bar



	Switching principle	Operational voltage	Voltage tolerance DC	Power consumption DC [W]	Switch-on time [ms]	Switch-off time [ms]	Pilot	Part No.
	5/2, with air spring return	24 V DC	-10 % / +10 %	0.35	12	25	Internal	5811611720
	5/2, with air spring return	24 V DC	-10 % / +10 %	0.35	12	25	Internal	5811611710
	5/2, with air spring return	24 V DC	-10 % / +10 %	0.35	12	25	External	5811613720
	5/2, with air spring return	24 V DC	-10 % / +10 %	0.35	12	25	External	5811613710
	5/2, with air spring return	24 V DC	-10 % / +10 %	0.35	12	25	External	5811612720
	5/2, with air spring return	24 V DC	-10 % / +10 %	0.35	12	25	External	5811612710
	5/2, with air spring return	24 V DC	-10 % / +10 %	0.35	12	25	Internal	5811610720
	5/2, with air spring return	24 V DC	-10 % / +10 %	0.35	12	25	Internal	5811610710

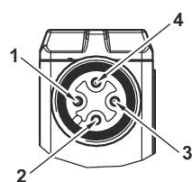
Throttle	Manual override	Part No.
with throttle	without detent	5811611720
with throttle		5811611710
with throttle	without detent	5811613720
with throttle		5811613710
	without detent	5811612720
		5811612710
	without detent	5811610720
		5811610710

Dimensions



5811611720, 5811611710, 5811613720, 5811613710, 5811612720, 5811612710, 5811610720, 5811610710

Pin assignments



- 1) not assigned
- 2) Coil 12
- 3) 0 V DC
- 4) Coil 14

5/2-directional valve, Series 581, size 1, Min. control pressure: 1,5 bar

Flow: 1400 l/min

Activation: Electrically

Control pressure min./max.: 1.5 bar ... 10 bar

Duty cycle: 100 %

Type: Spool valve

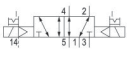
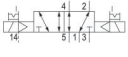
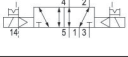
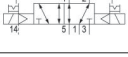


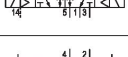
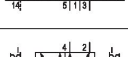
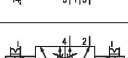
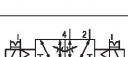
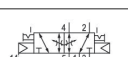

Ambient temperature min./max.: -15 °C ... 50 °C

Medium temperature min./max.: -15 °C ... 50 °C

Working pressure min./max.: 10 bar



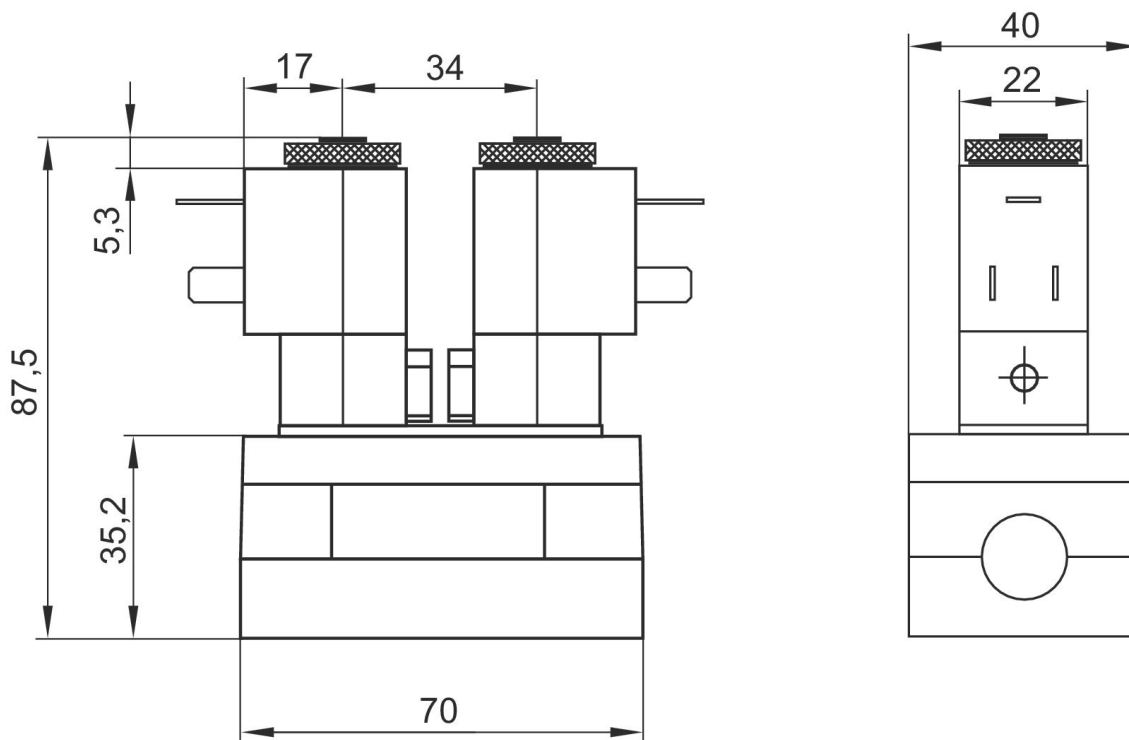
	Switching principle	Operational voltage	Voltage tolerance DC	Power consumption DC [W]	Switch-on time [ms]	Switch-off time [ms]	Pilot	Part No.
	5/2, double solenoid	12 V DC	-10 % / +10 %	5	11	11	Internal	5811220500
	5/2, double solenoid	24 V AC			11	11	Internal	5811220200
	5/2, double solenoid	24 V DC	-10 % / +10 %	5	11	11	Internal	5811220100
	5/2, double solenoid	48 V DC	-10 % / +10 %	5	11	11	Internal	5811220600
	5/2, double solenoid	110 V AC			11	11	Internal	5811220300
	5/2, double solenoid	230 V AC			11	11	Internal	5811220400
	5/2, double solenoid	12 V DC	-10 % / +10 %	5	11	11	Internal	5811220000
	5/2, double solenoid	24 V AC			11	11	Internal	5811221500
	5/2, double solenoid	24 V DC	-10 % / +10 %	5	11	11	Internal	5811221200
	5/2, double solenoid	48 V DC	-10 % / +10 %	5	11	11	Internal	5811221100
	5/2, double solenoid	110 V AC			11	11	Internal	5811221600
	5/2, double solenoid	230 V AC			11	11	Internal	5811221300
	5/2, double solenoid	24 V AC			11	11	Internal	5811221400
	5/2, double solenoid	12 V DC	-10 % / +10 %	5	11	11	Internal	5811221000
	5/2, double solenoid	12 V DC	-10 % / +10 %	5	11	11	External	5811222500
	5/2, double solenoid	24 V AC			11	11	External	5811222200

	Switching principle	Operational voltage	Voltage tolerance DC	Power consumption DC [W]	Switch-on time [ms]	Switch-off time [ms]	Pilot	Part No.
	5/2, double solenoid	24 V DC	-10 % / +10 %	5	11	11	External	5811222100
	5/2, double solenoid	48 V DC	-10 % / +10 %	5	11	11	External	5811222600
	5/2, double solenoid	110 V AC			11	11	External	5811222300
	5/2, double solenoid	230 V AC			11	11	External	5811222400
	5/2, double solenoid				11	11	External	5811222000
	5/2, double solenoid	12 V DC	-10 % / +10 %	5	11	11	External	5811223500
	5/2, double solenoid	24 V AC			11	11	External	5811223200
	5/2, double solenoid	24 V DC	-10 % / +10 %	5	11	11	External	5811223100
	5/2, double solenoid	48 V DC	-10 % / +10 %	5	11	11	External	5811223600
	5/2, double solenoid	110 V AC			11	11	External	5811223300
	5/2, double solenoid	230 V AC			11	11	External	5811223400
	5/2, double solenoid				11	11	External	5811223000

Throttle	Part No.
	5811220500
	5811220200
	5811220100
	5811220600
	5811220300
	5811220400
	5811220000
with throttle	5811221500
with throttle	5811221200
with throttle	5811221100
with throttle	5811221600
with throttle	5811221300
with throttle	5811221400
with throttle	5811221000
	5811222500
	5811222200
	5811222100
	5811222600

Throttle	Part No.
	5811222300
	5811222400
	5811222000
with throttle	5811223500
with throttle	5811223200
with throttle	5811223100
with throttle	5811223600
with throttle	5811223300
with throttle	5811223400
with throttle	5811223000

Dimensions



The pilot valves can be loosened and turned through 180°.

5/2-directional valve, Series 581, size 4, Min. control pressure: 3 bar

Flow: 1400 l/min
 Activation: Electrically
 Control pressure min./max.: 3 bar ... 10 bar
 Duty cycle: 100 %
 Type: Spool valve
 Ambient temperature min./max.: -15 °C ... 50 °C
 Medium temperature min./max.: -15 °C ... 50 °C
 Working pressure min./max.: 10 bar



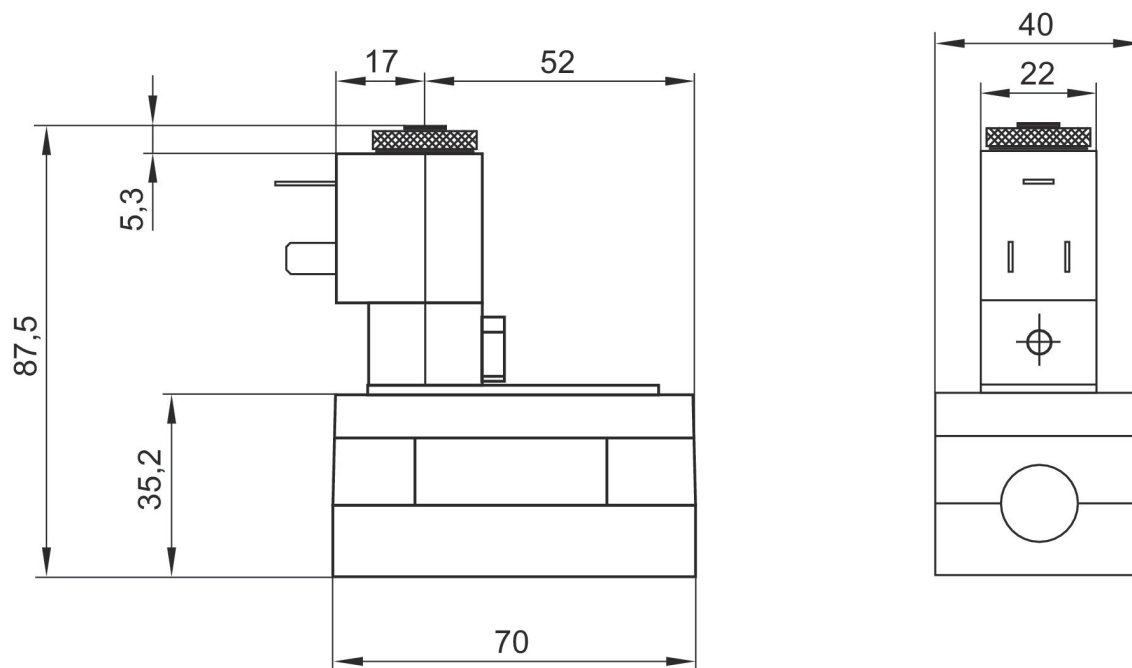
	Switching principle	Operational voltage	Voltage tolerance DC	Power consumption DC [W]	Switch-on time [ms]	Switch-off time [ms]	Pilot	Part No.
	5/2, with spring return	12 V DC	-10 % / +10 %	5	12	28	Internal	5811110500
	5/2, with spring return	24 V AC			12	28	Internal	5811110200
	5/2, with spring return	24 V DC	-10 % / +10 %	5	12	28	Internal	5811110100
	5/2, with spring return	48 V DC	-10 % / +10 %	5	12	28	Internal	5811110600
	5/2, with spring return	110 V AC			12	28	Internal	5811110300
	5/2, with spring return	230 V AC			12	28	Internal	5811110400
	5/2, with spring return	12 V DC	-10 % / +10 %	5	12	28	Internal	5811110000
	5/2, with spring return	24 V AC			12	28	Internal	5811111500
	5/2, with spring return	24 V DC	-10 % / +10 %	5	12	28	Internal	5811111200
	5/2, with spring return	48 V DC	-10 % / +10 %	5	12	28	Internal	5811111100
	5/2, with spring return	110 V AC			12	28	Internal	5811111600
	5/2, with spring return	230 V AC			12	28	Internal	5811111300
	5/2, with spring return	12 V DC	-10 % / +10 %	5	12	28	Internal	5811111400
	5/2, with spring return	12 V DC	-10 % / +10 %	5	12	28	External	5811111000
	5/2, with spring return	12 V DC	-10 % / +10 %	5	12	28	External	5811112500

	Switching principle	Operational voltage	Voltage tolerance DC	Power consumption DC [W]	Switch-on time [ms]	Switch-off time [ms]	Pilot	Part No.
	5/2, with spring return	24 V AC			12	28	External	5811112200
	5/2, with spring return	24 V DC	-10 % / +10 %	5	12	28	External	5811112100
	5/2, with spring return	48 V DC	-10 % / +10 %	5	12	28	External	5811112600
	5/2, with spring return	110 V AC			12	28	External	5811112300
	5/2, with spring return	230 V AC			12	28	External	5811112400
	5/2, with spring return				12	28	External	5811112000
	5/2, with spring return	12 V DC	-10 % / +10 %	5	12	28	External	5811113500
	5/2, with spring return	24 V AC			12	28	External	5811113200
	5/2, with spring return	48 V DC	-10 % / +10 %	5	12	28	External	5811113600
	5/2, with spring return	24 V DC	-10 % / +10 %	5	12	28	External	5811113100
	5/2, with spring return	110 V AC			12	28	External	5811113300
	5/2, with spring return	230 V AC			12	28	External	5811113400
	5/2, with spring return				12	28	External	5811113000

Throttle	Part No.
	5811110500
	5811110200
	5811110100
	5811110600
	5811110300
	5811110400
	5811110000
with throttle	5811111500
with throttle	5811111200
with throttle	5811111100
with throttle	5811111600
with throttle	5811111300
with throttle	5811111400
with throttle	5811111000

Throttle	Part No.
	5811112500
	5811112200
	5811112100
	5811112600
	5811112300
	5811112400
	5811112000
with throttle	5811113500
with throttle	5811113200
with throttle	5811113600
with throttle	5811113100
with throttle	5811113300
with throttle	5811113400
with throttle	5811113000

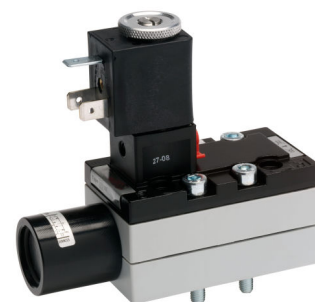
Dimensions



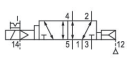
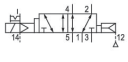

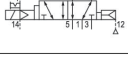
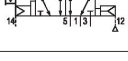

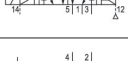
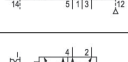

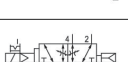
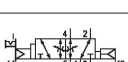

The pilot valves can be loosened and turned through 180°.

5/2-directional valve, Series 581, size 1, with differential piston

Flow: 1400 l/min
 Activation: Electrically
 Control pressure min./max.: 1.3 bar ... 10 bar
 Duty cycle: 100 %
 Type: Spool valve
 Ambient temperature min./max.: -15 °C ... 50 °C
 Medium temperature min./max.: -15 °C ... 50 °C
 Working pressure min./max.: 10 bar



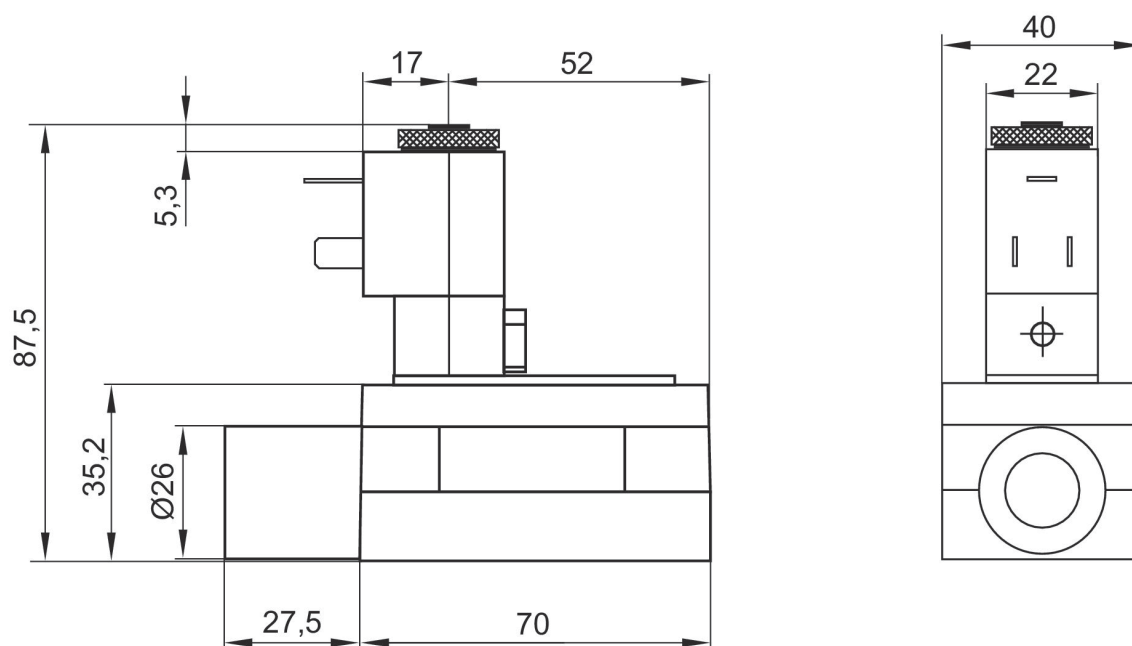
	Switching principle	Operational voltage	Voltage tolerance DC	Power consumption DC [W]	Switch-on time [ms]	Switch-off time [ms]	Pilot	Part No.
	5/2, with air spring return	12 V DC	-10 % / +10 %	5	12	30	Internal	5811610500
	5/2, with air spring return	24 V AC			12	30	Internal	5811610200
	5/2, with air spring return	24 V DC	-10 % / +10 %	5	12	30	Internal	5811610100
	5/2, with air spring return	48 V DC	-10 % / +10 %	5	12	30	Internal	5811610600
	5/2, with air spring return	110 V AC			12	30	Internal	5811610300
	5/2, with air spring return	230 V AC			12	30	Internal	5811610400
	5/2, with air spring return				12	30	Internal	5811610000
	5/2, with air spring return	12 V DC	-10 % / +10 %	5	12	30	Internal	5811611500
	5/2, with air spring return	24 V AC			12	30	Internal	5811611200
	5/2, with air spring return	24 V DC	-10 % / +10 %	5	12	30	Internal	5811611100
	5/2, with air spring return	48 V DC	-10 % / +10 %	5	12	30	Internal	5811611600
	5/2, with air spring return	110 V AC			12	30	Internal	5811611300
	5/2, with air spring return	230 V AC			12	30	Internal	5811611400
	5/2, with air spring return				12	30	Internal	5811611000
	5/2, with air spring return	12 V DC	-10 % / +10 %	5	12	30	External	5811612500
	5/2, with air spring return	24 V AC			12	30	External	5811612200

	Switching principle	Operational voltage	Voltage tolerance DC	Power consumption DC [W]	Switch-on time [ms]	Switch-off time [ms]	Pilot	Part No.
	5/2, with air spring return	24 V DC	-10 % / +10 %	5	12	30	External	5811612100
	5/2, with air spring return	48 V DC	-10 % / +10 %	5	12	30	External	5811612600
	5/2, with air spring return	110 V AC			12	30	External	5811612300
	5/2, with air spring return	230 V AC			12	30	External	5811612400
	5/2, with air spring return				12	30	External	5811612000
	5/2, with air spring return	12 V DC	-10 % / +10 %	5	12	30	External	5811613500
	5/2, with air spring return	24 V AC			12	30	External	5811613200
	5/2, with air spring return	24 V DC	-10 % / +10 %	5	12	30	External	5811613100
	5/2, with air spring return	48 V DC	-10 % / +10 %	5	12	30	External	5811613600
	5/2, with air spring return	110 V AC			12	30	External	5811613300
	5/2, with air spring return	230 V AC			12	30	External	5811613400
	5/2, with air spring return				12	30	External	5811613000

Throttle	Part No.
	5811610500
	5811610200
	5811610100
	5811610600
	5811610300
	5811610400
	5811610000
with throttle	5811611500
with throttle	5811611200
with throttle	5811611100
with throttle	5811611600
with throttle	5811611300
with throttle	5811611400
with throttle	5811611000
	5811612500
	5811612200
	5811612100

Throttle	Part No.
	5811612600
	5811612300
	5811612400
	5811612000
with throttle	5811613500
with throttle	5811613200
with throttle	5811613100
with throttle	5811613600
with throttle	5811613300
with throttle	5811613400
with throttle	5811613000

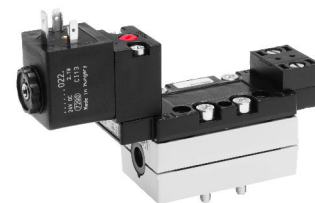
Dimensions



The pilot valves can be loosened and turned through 180°.

5/2-directional valve, Series 581, size 1, Single Solenoid

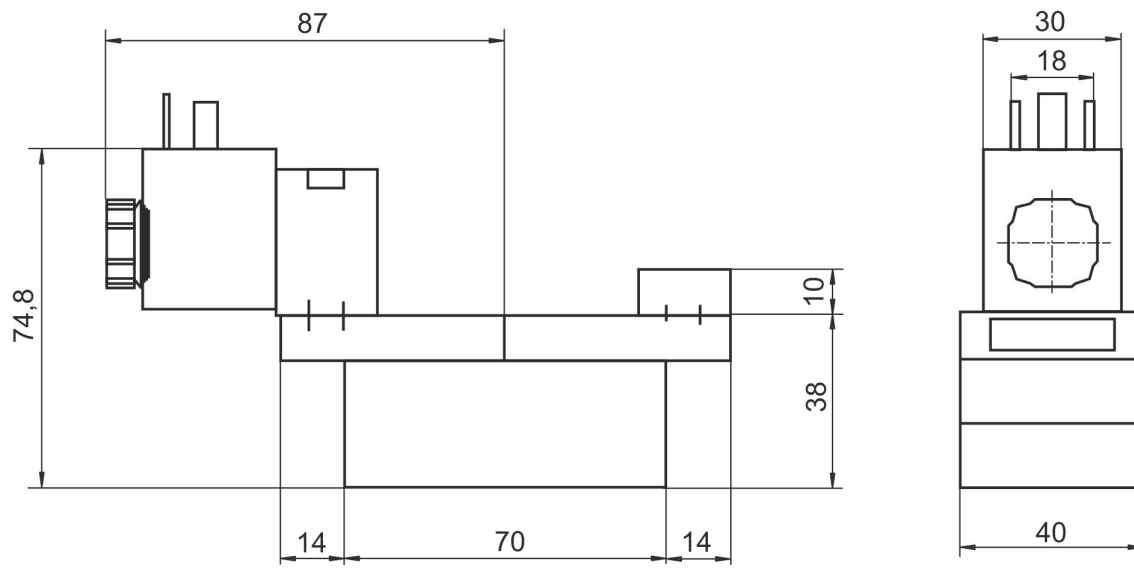
Flow: 1400 l/min
 Activation: Electrically
 Control pressure min./max.: 3 bar ... 10 bar
 Duty cycle: 100 %
 Type: Spool valve
 Ambient temperature min./max.: -15 °C ... 50 °C
 Medium temperature min./max.: -15 °C ... 50 °C
 Working pressure min./max.: 10 bar



	Switching principle	Operational voltage	Voltage tolerance DC	Power consumption DC [W]	Switch-on time [ms]	Switch-off time [ms]	Pilot	Part No.
	5/2, with spring return	24 V DC	-10 % / +10 %	2	15	28	Internal	5811170650
	5/2, with spring return	230 V AC			15	28	Internal	5811170450
	5/2, with spring return	24 V DC	-10 % / +10 %	2	15	28	Internal	5811171650
	5/2, with spring return	230 V AC			15	28	Internal	5811171450
	5/2, with spring return	24 V DC	-10 % / +10 %	2	15	28	External	5811172650
	5/2, with spring return	230 V AC			15	28	External	5811172450
	5/2, double solenoid	24 V DC	-10 % / +10 %	2	15	28	External	5811173650
	5/2, with spring return	230 V AC			15	28	External	5811173450

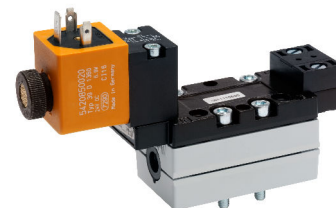
Throttle	Compatibility index	Part No.
	14	5811170650
	14	5811170450
with throttle	14	5811171650
with throttle	14	5811171450
	14	5811172650
	14	5811172450
with throttle	14	5811173650
with throttle	14	5811173450

Dimensions



5/2-directional valve, Series 581, size 1, Single Solenoid

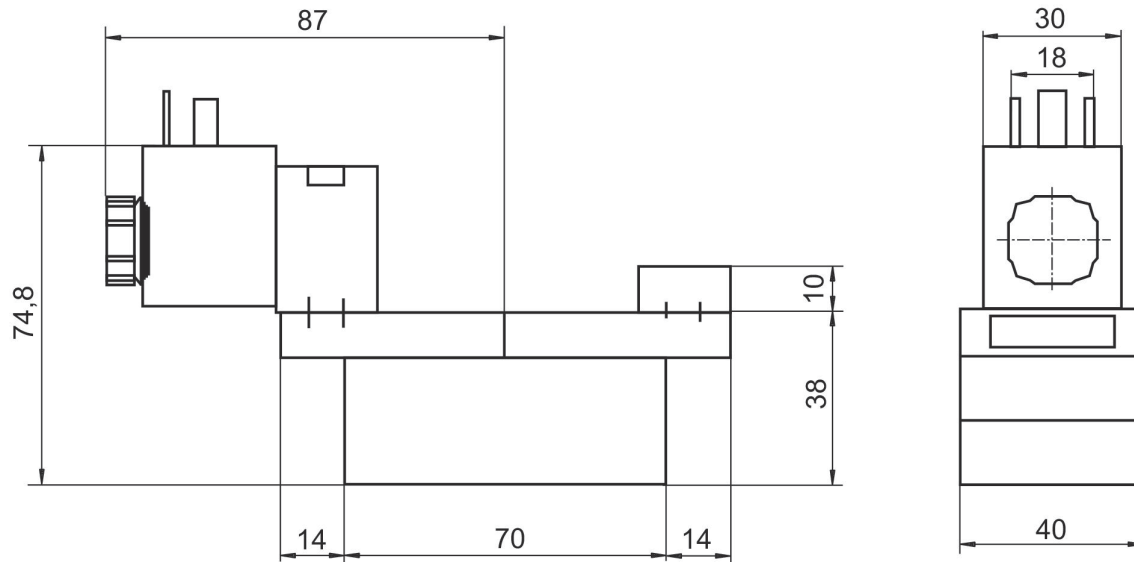
Flow: 1400 l/min
 Activation: Electrically
 Control pressure min./max.: 3 bar ... 16 bar
 Duty cycle: 100 %
 Type: Spool valve
 Ambient temperature min./max.: -15 °C ... 50 °C
 Medium temperature min./max.: -15 °C ... 50 °C
 Working pressure min./max.: 16 bar



	Switching principle	Operational voltage	Voltage tolerance DC	Power consumption DC [W]	Switch-on time [ms]	Switch-off time [ms]	Pilot	Part No.
	5/2, with spring return	24 V DC	-10 % / +10 %	6.7	15	28	Internal	5811170530
	5/2, with spring return	230 V AC			15	28	Internal	5811170430
	5/2, with spring return	24 V DC	-10 % / +10 %	6.7	15	28	Internal	5811171530
	5/2, with spring return	230 V AC			15	28	Internal	5811171430
	5/2, with spring return	24 V DC	-10 % / +10 %	6.7	15	28	External	5811172530
	5/2, with spring return	230 V AC			15	28	External	5811172430
	5/2, with spring return	24 V DC	-10 % / +10 %	6.7	15	28	External	5811173530
	5/2, with spring return	230 V AC			15	28	External	5811173430

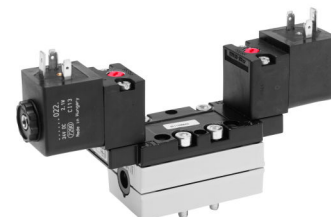
Throttle	Part No.
	5811170530
	5811170430
with throttle	5811171530
with throttle	5811171430
	5811172530
	5811172430
with throttle	5811173530
with throttle	5811173430

Dimensions



5/2-directional valve, Series 581, size 1, Max. control pressure: 10 bar

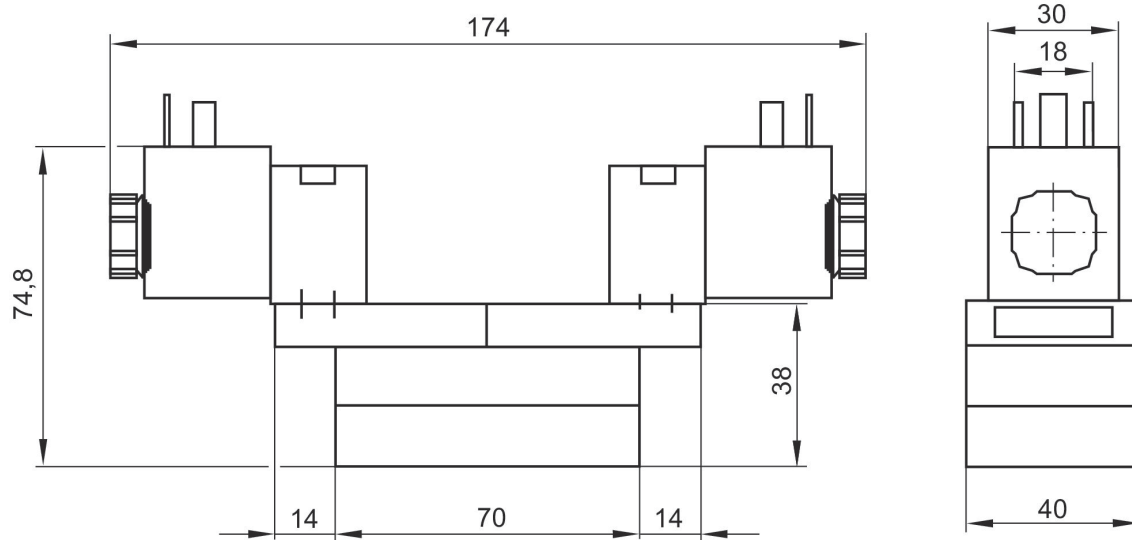
Flow: 1400 l/min
 Activation: Electrically
 Control pressure min./max.: 1.5 bar ... 10 bar
 Duty cycle: 100 %
 Type: Spool valve
 Ambient temperature min./max.: -15 °C ... 50 °C
 Medium temperature min./max.: -15 °C ... 50 °C
 Working pressure min./max.: 10 bar



	Switching principle	Operational voltage	Voltage tolerance DC	Power consumption DC [W]	Switch-on time [ms]	Switch-off time [ms]	Pilot	Part No.
	5/2, double solenoid	24 V DC	-10 % / +10 %	2	13	13	Internal	5811290650
	5/2, double solenoid	230 V AC			13	13	Internal	5811290450
	5/2, double solenoid	24 V DC	-10 % / +10 %	2	13	13	Internal	5811291650
	5/2, double solenoid	230 V AC			13	13	Internal	5811291450
	5/2, double solenoid	24 V DC	-10 % / +10 %	2	13	13	External	5811292650
	5/2, double solenoid	230 V AC			13	13	External	5811292450
	5/2, double solenoid	24 V DC	-10 % / +10 %	2	13	13	External	5811293650
	5/2, double solenoid	230 V AC			13	13	External	5811293450

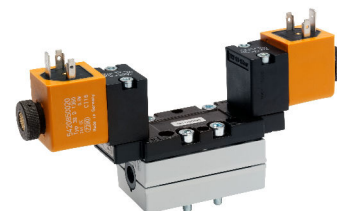
Throttle	Compatibility index	Part No.
	14	5811290650
	14	5811290450
with throttle	14	5811291650
with throttle	14	5811291450
	14	5811292650
	14	5811292450
with throttle	14	5811293650
with throttle	14	5811293450

Dimensions



5/2-directional valve, Series 581, size 1, Max. control pressure: 16 bar

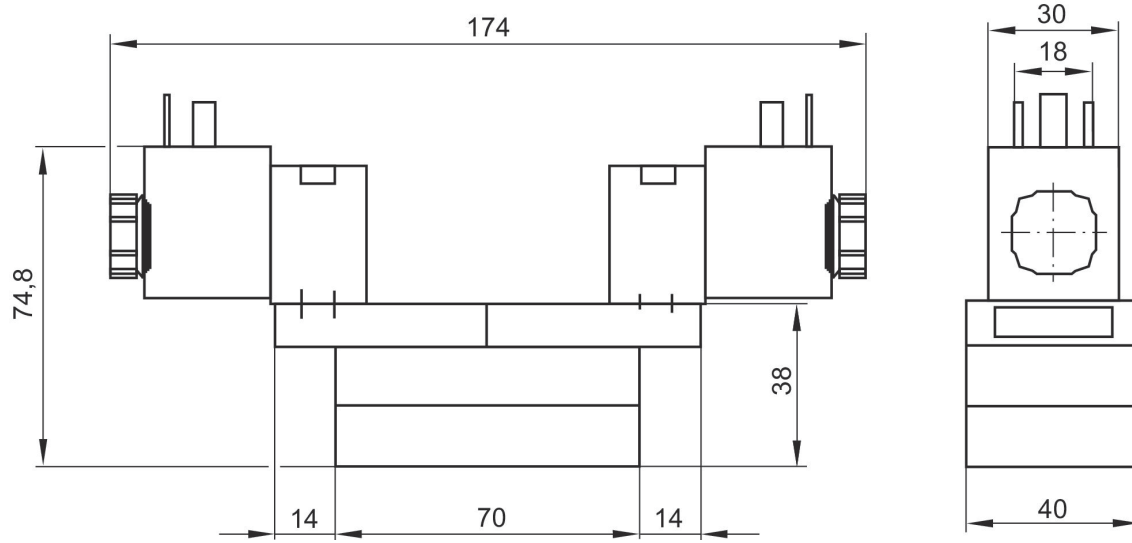
Flow: 1400 l/min
 Activation: Electrically
 Control pressure min./max.: 1.5 bar ... 16 bar
 Duty cycle: 100 %
 Type: Spool valve
 Ambient temperature min./max.: -15 °C ... 50 °C
 Medium temperature min./max.: -15 °C ... 50 °C
 Working pressure min./max.: 16 bar



	Switching principle	Operational voltage	Voltage tolerance DC	Power consumption DC [W]	Switch-on time [ms]	Switch-off time [ms]	Pilot	Part No.
	5/2, double solenoid	24 V DC	-10 % / +10 %	6.7	13	13	Internal	5811290530
	5/2, double solenoid	230 V AC			13	13	Internal	5811290430
	5/2, double solenoid	24 V DC	-10 % / +10 %	6.7	13	13	Internal	5811291530
	5/2, double solenoid	230 V AC			13	13	Internal	5811291430
	5/2, double solenoid	24 V DC	-10 % / +10 %	6.7	13	13	External	5811292530
	5/2, double solenoid	230 V AC			13	13	External	5811292430
	5/2, double solenoid	24 V DC	-10 % / +10 %	6.7	13	13	External	5811293530
	5/2, double solenoid	230 V AC			13	13	External	5811293430

Throttle	Part No.
	5811290530
	5811290430
with throttle	5811291530
with throttle	5811291430
	5811292530
	5811292430
with throttle	5811293530
with throttle	5811293430

Dimensions



5/2-directional valve, Series 581, size 1, Min. Single Solenoid, control pressure: 3 bar

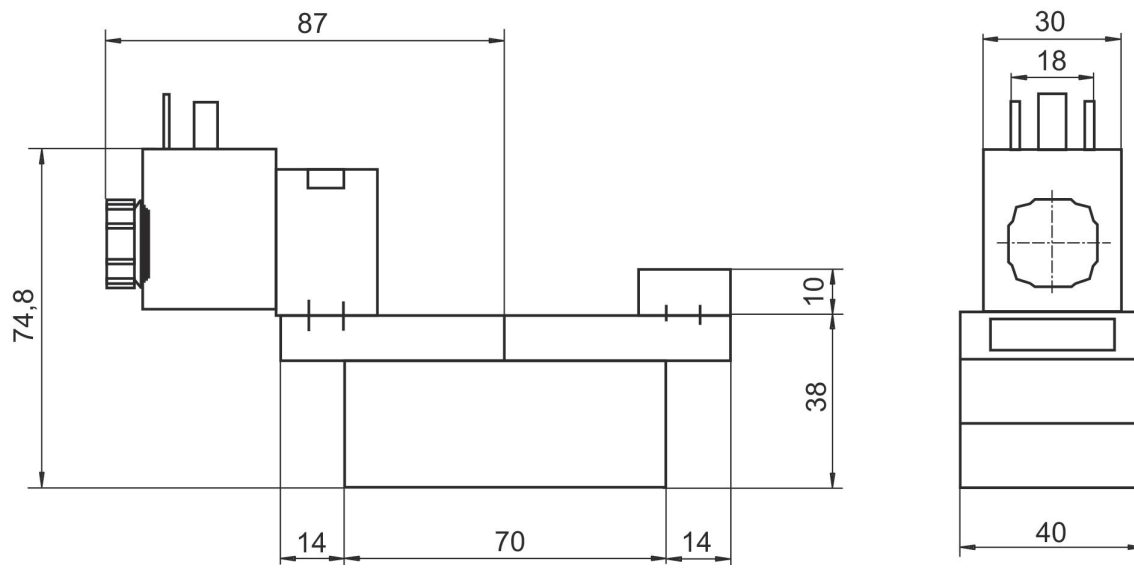
Flow: 1400 l/min
 Activation: Electrically
 Control pressure min./max.: 3 bar ... 16 bar
 Duty cycle: 100 %
 Type: Spool valve
 Ambient temperature min./max.: -15 °C ... 50 °C
 Medium temperature min./max.: -15 °C ... 50 °C
 Working pressure min./max.: 16 bar



	Switching principle	Operational voltage	Voltage tolerance DC	Power consumption DC [W]	Switch-on time [ms]	Switch-off time [ms]	Pilot	Part No.
	5/2, with spring return	24 V DC / 42 V AC	-10 % / +10 %	6.7	15	28	Internal	5811170540
	5/2, with spring return	230 V AC			15	28	Internal	5811170440
	5/2, with spring return	24 V DC / 42 V AC	-10 % / +10 %	6.7	15	28	Internal	5811171540
	5/2, with spring return	230 V AC			15	28	Internal	5811171440
	5/2, with spring return	24 V DC / 42 V AC	-10 % / +10 %	6.7	15	28	External	5811172540
	5/2, with spring return	230 V AC			15	28	External	5811172440
	5/2, with spring return	24 V DC / 42 V AC	-10 % / +10 %	6.7	15	28	External	5811173540
	5/2, with spring return	230 V AC			15	28	External	5811173440

Throttle	Manual override	Part No.
	without detent	5811170540
	without detent	5811170440
with throttle	without detent	5811171540
with throttle	without detent	5811171440
	without detent	5811172540
	without detent	5811172440
with throttle	without detent	5811173540
with throttle	without detent	5811173440

Dimensions



5/2-directional valve, Series 581, size 1, Double Solenoid, Min. control pressure: 1,5 bar

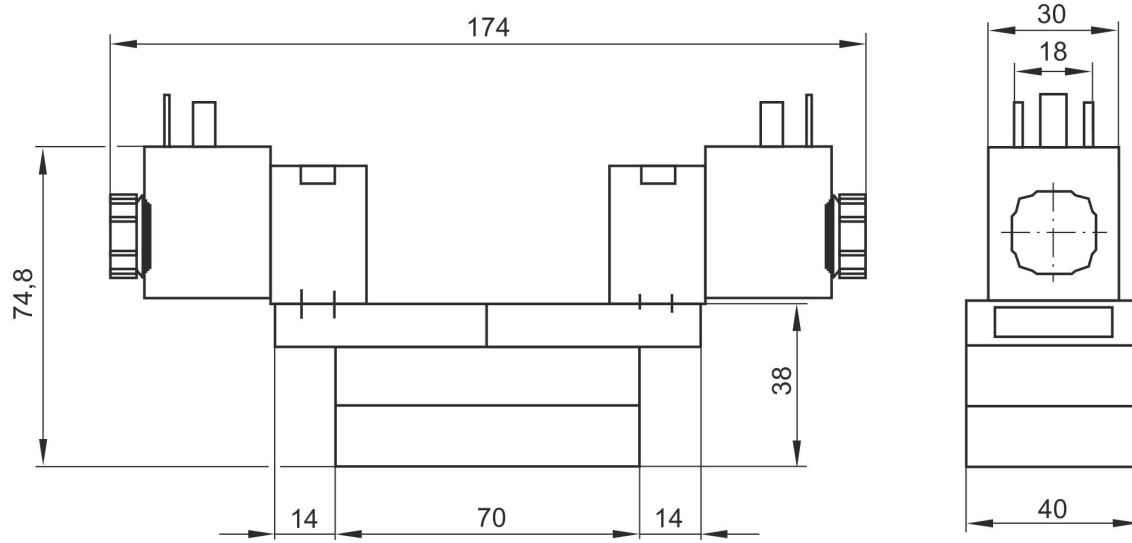
Flow: 1400 l/min
 Activation: Electrically
 Control pressure min./max.: 1.5 bar ... 16 bar
 Duty cycle: 100 %
 Type: Spool valve
 Ambient temperature min./max.: -15 °C ... 50 °C
 Medium temperature min./max.: -15 °C ... 50 °C
 Working pressure min./max.: 16 bar



	Switching principle	Operational voltage	Voltage tolerance DC	Power consumption DC [W]	Switch-on time [ms]	Switch-off time [ms]	Pilot	Part No.
	5/2, double solenoid	24 V DC / 42 V AC	-10 % / +10 %	6.7	13	13	Internal	5811290540
	5/2, double solenoid	230 V AC			13	13	Internal	5811290440
	5/2, double solenoid	24 V DC / 42 V AC	-10 % / +10 %	6.7	13	13	Internal	5811291540
	5/2, double solenoid	230 V AC			13	13	Internal	5811291440
	5/2, double solenoid	24 V DC / 42 V AC	-10 % / +10 %	6.7	13	13	External	5811292540
	5/2, double solenoid	230 V AC			13	13	External	5811292440
	5/2, double solenoid	24 V DC / 42 V AC	-10 % / +10 %	6.7	13	13	External	5811293540
	5/2, double solenoid	230 V AC			13	13	External	5811293440

Throttle	Part No.
	5811290540
	5811290440
with throttle	5811291540
with throttle	5811291440
	5811292540
	5811292440
with throttle	5811293540
with throttle	5811293440

Dimensions



5/2-directional valve, Series 581, size 1, with differential piston, Operating pressure 0 ... 10 bar

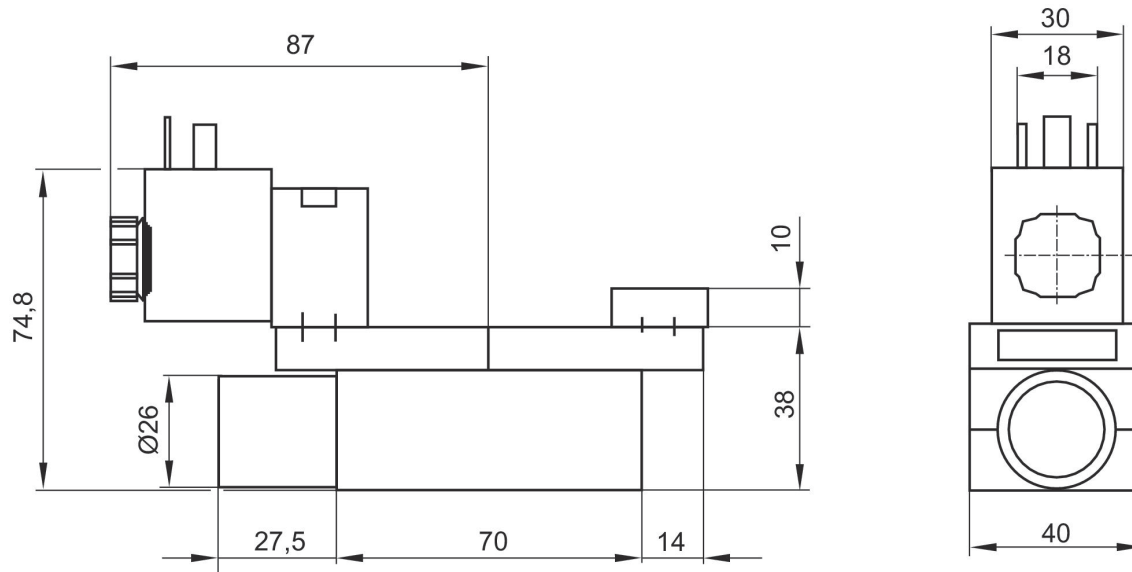
Flow: 1400 l/min
 Activation: Electrically
 Control pressure min./max.: 1.3 bar ... 10 bar
 Duty cycle: 100 %
 Type: Spool valve
 Ambient temperature min./max.: -15 °C ... 50 °C
 Medium temperature min./max.: -15 °C ... 50 °C
 Working pressure min./max.: 10 bar



	Switching principle	Operational voltage	Voltage tolerance DC	Power consumption DC [W]	Switch-on time [ms]	Switch-off time [ms]	Pilot	Part No.
	5/2, with air spring return	24 V DC	-10 % / +10 %	2	15	28	Internal	5811670650
	5/2, with air spring return	230 V AC			15	28	Internal	5811670450
	5/2, with air spring return	24 V DC	-10 % / +10 %	2	15	28	External	5811671650
	5/2, with air spring return	230 V AC			15	28	External	5811671450
	5/2, with air spring return	24 V DC	-10 % / +10 %	2	15	28	External	5811672650
	5/2, with air spring return	230 V AC			15	28	External	5811672450
	5/2, with air spring return	24 V DC	-10 % / +10 %	2	15	28	External	5811673650
	5/2, with air spring return	230 V AC			15	28	External	5811673450

Throttle	Compatibility index	Part No.
	14	5811670650
	14	5811670450
with throttle	14	5811671650
with throttle	14	5811671450
	14	5811672650
	14	5811672450
with throttle	14	5811673650
with throttle	14	5811673450

Dimensions



5/2-directional valve, Series 581, size 1, with differential piston, Operating pressure 0 ... 16 bar

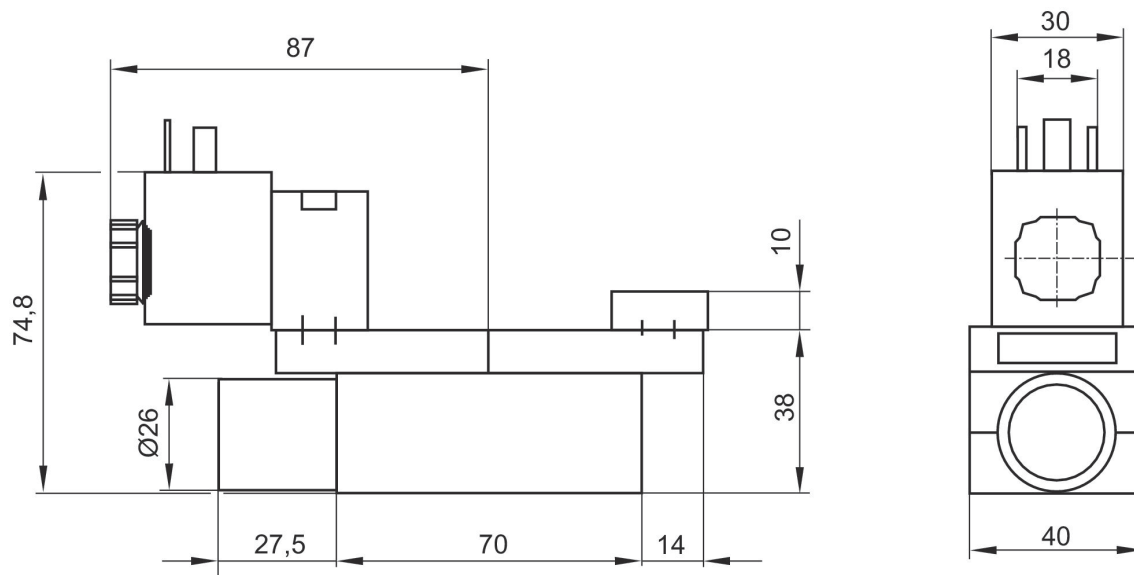
Flow: 1400 l/min
 Activation: Electrically
 Control pressure min./max.: 1.3 bar ... 16 bar
 Duty cycle: 100 %
 Type: Spool valve
 Ambient temperature min./max.: -15 °C ... 50 °C
 Medium temperature min./max.: -15 °C ... 50 °C
 Working pressure min./max.: 16 bar



	Switching principle	Operational voltage	Voltage tolerance DC	Power consumption DC [W]	Switch-on time [ms]	Switch-off time [ms]	Pilot	Part No.
	5/2, with air spring return	24 V DC / 42 V AC	-10 % / +10 %	6.7	15	28	Internal	5811670540
	5/2, with air spring return	230 V AC			15	28	Internal	5811670440
	5/2, with air spring return	24 V DC / 42 V AC	-10 % / +10 %	6.7	15	28	Internal	5811671540
	5/2, with air spring return	230 V AC			15	28	Internal	5811671440
	5/2, with air spring return	24 V DC / 42 V AC	-10 % / +10 %	6.7	15	28	External	5811672540
	5/2, with air spring return	230 V AC			15	28	External	5811672440
	5/2, with air spring return	24 V DC / 42 V AC	-10 % / +10 %	6.7	15	28	External	5811673540
	5/2, with air spring return	230 V AC			15	28	External	5811673440

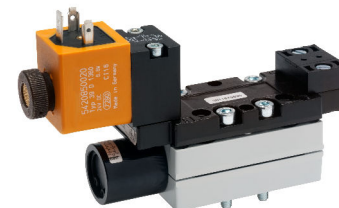
Throttle	Part No.
	5811670540
	5811670440
with throttle	5811671540
with throttle	5811671440
	5811672540
	5811672440
with throttle	5811673540
with throttle	5811673440

Dimensions



5/2-directional valve, Series 581, size 1, with differential piston

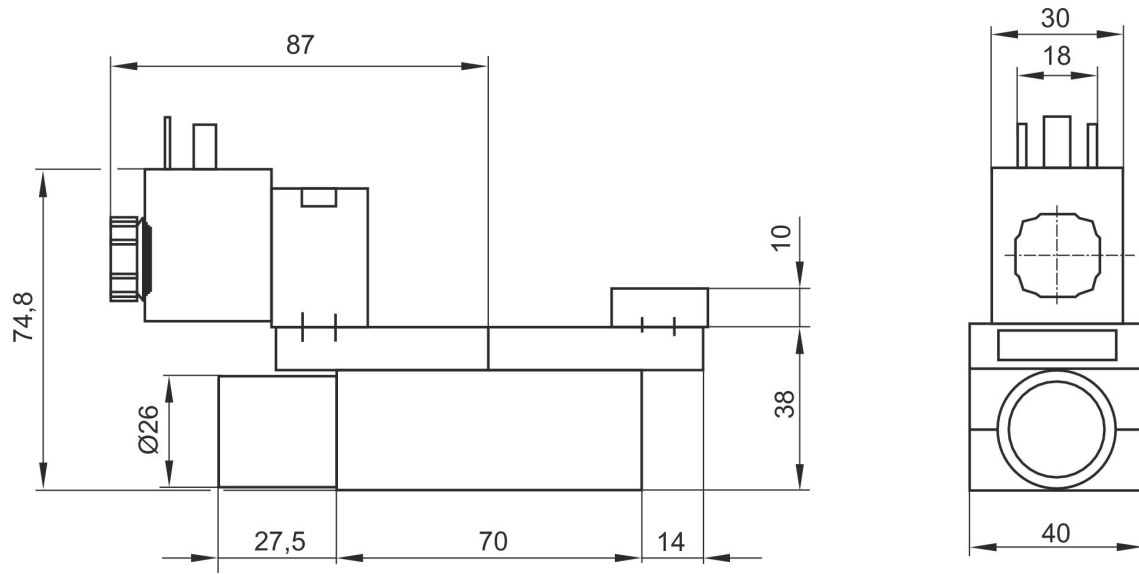
Flow: 1400 l/min
 Activation: Electrically
 Control pressure min./max.: 1.3 bar ... 16 bar
 Duty cycle: 100 %
 Type: Spool valve
 Ambient temperature min./max.: -15 °C ... 50 °C
 Medium temperature min./max.: -15 °C ... 50 °C
 Working pressure min./max.: 16 bar



	Switching principle	Operational voltage	Voltage tolerance DC	Power consumption DC [W]	Switch-on time [ms]	Switch-off time [ms]	Pilot	Part No.
	5/2, with air spring return	24 V DC	-10 % / +10 %	6.7	15	28	Internal	5811670530
	5/2, with air spring return	230 V AC			15	28	Internal	5811670430
	5/2, with air spring return	24 V DC	-10 % / +10 %	6.7	15	28	External	5811671530
	5/2, with air spring return	230 V AC			15	28	External	5811671430
	5/2, with air spring return	24 V DC	-10 % / +10 %	6.7	15	28	External	5811672530
	5/2, with air spring return	230 V AC			15	28	External	5811672430
	5/2, with air spring return	24 V DC	-10 % / +10 %	6.7	15	28	External	5811673530
	5/2, with air spring return	230 V AC			15	28	External	5811673430

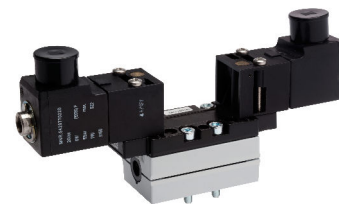
Throttle	Part No.
	5811670530
	5811670430
with throttle	5811671530
with throttle	5811671430
	5811672530
	5811672430
with throttle	5811673530
with throttle	5811673430

Dimensions



5/2-directional valve, Series 581, size 1, Double Solenoid

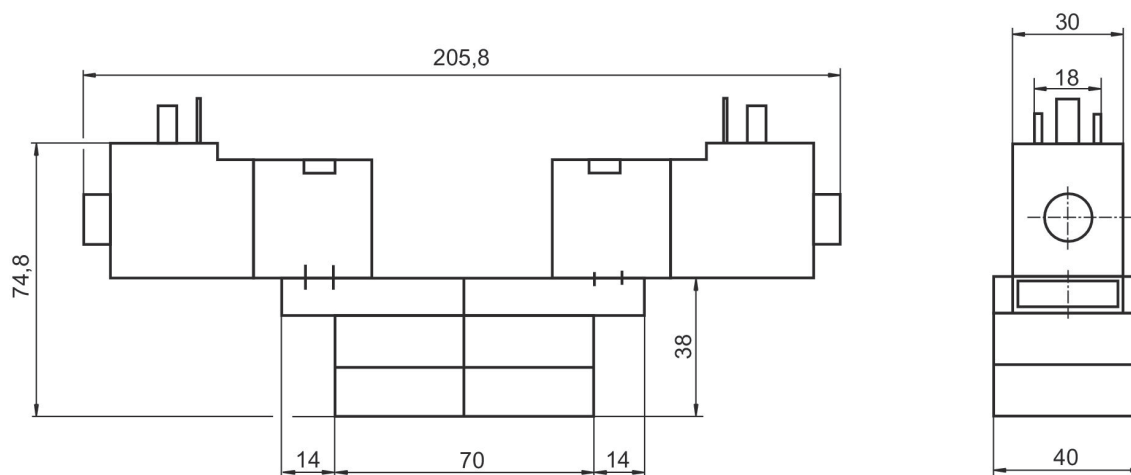
Flow: 1400 l/min
 Activation: Electrically
 Control pressure min./max.: 1.5 bar ... 10 bar
 Duty cycle: 100 %
 Type: Spool valve
 Ambient temperature min./max.: -15 °C ... 50 °C
 Medium temperature min./max.: -15 °C ... 50 °C
 Working pressure min./max.: 10 bar



	Switching principle	Operational voltage	Voltage tolerance DC	Power consumption DC [W]	Switch-on time [ms]	Switch-off time [ms]	Pilot	Part No.
	5/2, double solenoid	24 V DC	-10 % / +10 %	6	13	13	Internal	5811290190
	5/2, double solenoid	24 V DC	-10 % / +10 %	6	13	13	Internal	5811291190
	5/2, double solenoid	24 V DC	-10 % / +10 %	6	13	13	External	5811292190
	5/2, double solenoid	24 V DC	-10 % / +10 %	6	13	13	External	5811293190

Throttle	Part No.
	5811290190
with throttle	5811291190
	5811292190
with throttle	5811293190

Dimensions



5/2-directional valve, Series 581, size 1, with differential piston, Min. control pressure: 1,5 bar

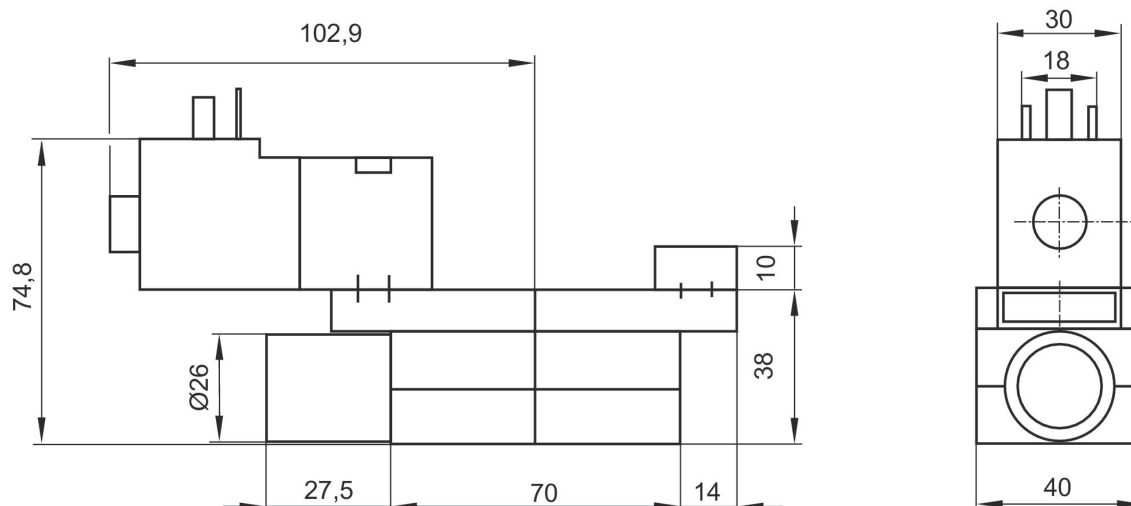
Flow: 1400 l/min
 Activation: Electrically
 Control pressure min./max.: 1.3 bar ... 10 bar
 Duty cycle: 100 %
 Type: Spool valve
 Ambient temperature min./max.: -15 °C ... 50 °C
 Medium temperature min./max.: -15 °C ... 50 °C
 Working pressure min./max.: 10 bar



	Switching principle	Operational voltage	Voltage tolerance DC	Power consumption DC [W]	Switch-on time [ms]	Switch-off time [ms]	Pilot	Part No.
	5/2, with spring return	24 V DC	-10 % / +10 %	6	15	28	Internal	5811670190
	5/2, with spring return	24 V DC	-10 % / +10 %	6	15	28	Internal	5811671190
	5/2, with spring return	24 V DC	-10 % / +10 %	6	15	28	External	5811672190
	5/2, with spring return	24 V DC	-10 % / +10 %	6	15	28	External	5811673190

Throttle	Part No.
	5811670190
with throttle	5811671190
	5811672190
with throttle	5811673190

Dimensions



5/2-directional valve, Series 581, size 1, with differential piston, Min. control pressure: 3 bar

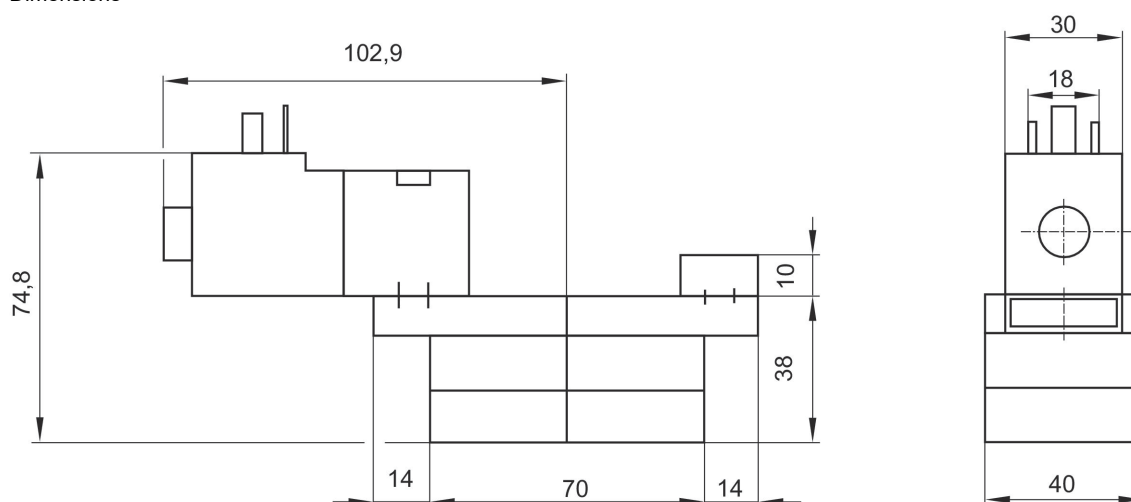
Flow: 1400 l/min
 Activation: Electrically
 Control pressure min./max.: 3 bar ... 10 bar
 Duty cycle: 100 %
 Type: Spool valve
 Ambient temperature min./max.: -15 °C ... 50 °C
 Medium temperature min./max.: -15 °C ... 50 °C
 Working pressure min./max.: 10 bar



	Switching principle	Operational voltage	Voltage tolerance DC	Power consumption DC [W]	Switch-on time [ms]	Switch-off time [ms]	Pilot	Part No.
	5/2, with spring return	24 V DC	-10 % / +10 %	6	15	28	Internal	5811170190
	5/2, with spring return	24 V DC	-10 % / +10 %	6	15	28	Internal	5811171190
	5/2, with spring return	24 V DC	-10 % / +10 %	6	15	28	External	5811172190
	5/2, with spring return	24 V DC	-10 % / +10 %	6	15	28	External	5811173190

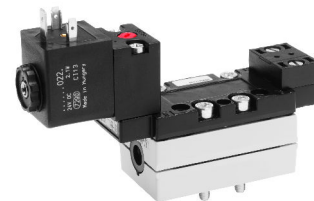
Throttle	Part No.
	5811170190
with throttle	5811171190
	5811172190
with throttle	5811173190


Dimensions



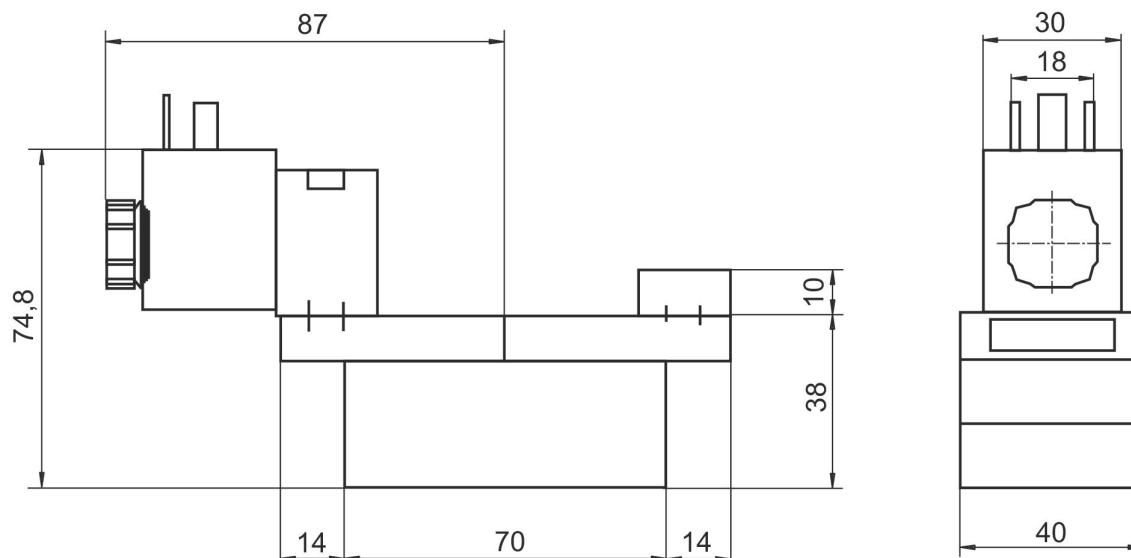
5/2-directional valve, Series 581, size 1

Flow: 1400 l/min
 Activation: Electrically
 Control pressure min./max.: 3 bar ... 10 bar
 Duty cycle: 100 %
 Type: Spool valve
 Ambient temperature min./max.: -15 °C ... 50 °C
 Medium temperature min./max.: -15 °C ... 50 °C
 Working pressure min./max.: 10 bar



	Switching principle	Operational voltage	Switch-on time [ms]	Switch-off time [ms]	Pilot	Manual override	Compatibility index	Part No.
	5/2, with spring return	110 V AC	15	28	Internal	with detent, without detent	14	5811170350

Dimensions



5/3-directional valve, Series 581, size 1

Flow: 1100 l/min
 Activation: Electrically
 Control pressure min./max.: 3 bar ... 10 bar
 Duty cycle: 100 %
 Type: Spool valve
 Ambient temperature min./max.: -10 °C ... 50 °C
 Medium temperature min./max.: -10 °C ... 50 °C
 Working pressure min./max.: 10 bar

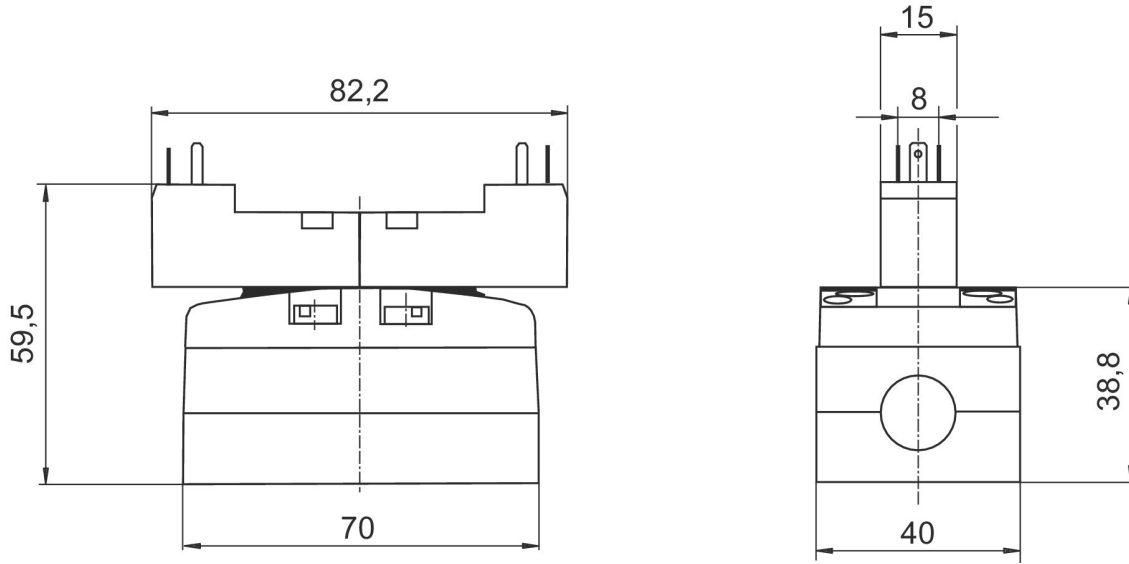


	Switching principle	Operational voltage	Voltage tolerance DC	Power consumption DC [W]	Switch-on time [ms]	Switch-off time [ms]	Pilot	Part No.
	5/3, closed center	24 V DC	-10 % / +10 %	2	14	22	Internal	5811460130
	5/3, closed center	24 V DC	-10 % / +10 %	2	14	22	Internal	5811461130
	5/3, closed center	24 V DC	-10 % / +10 %	2	14	22	External	5811462130
	5/3, closed center	24 V DC	-10 % / +10 %	2	14	22	External	5811463130
	5/3, exhausted center	24 V DC	-10 % / +10 %	2	14	22	Internal	5811560130
	5/3, exhausted center	24 V DC	-10 % / +10 %	2	14	22	Internal	5811561130
	5/3, exhausted center	24 V DC	-10 % / +10 %	2	14	22	External	5811562130
	5/3, exhausted center	24 V DC	-10 % / +10 %	2	14	22	External	5811563130
	5/3, pressurized center	24 V DC	-10 % / +10 %	2	14	22	Internal	5811760130
	5/3, pressurized center	24 V DC	-10 % / +10 %	2	14	22	Internal	5811761130
	5/3, pressurized center	24 V DC	-10 % / +10 %	2	14	22	External	5811762130
	5/3, pressurized center	24 V DC	-10 % / +10 %	2	14	22	External	5811763130

Throttle	Part No.
	5811460130
with throttle	5811461130
	5811462130
with throttle	5811463130
	5811560130
with throttle	5811561130
	5811562130

Throttle	Part No.
with throttle	5811563130
	5811760130
with throttle	5811761130
	5811762130
with throttle	5811763130

Dimensions



5/3-directional valve, Series 581, size 1, LED

Flow: 1100 l/min
 Activation: Electrically
 Control pressure min./max.: 3 bar ... 10 bar
 Duty cycle: 100 %
 Type: Spool valve
 Ambient temperature min./max.: -10 °C ... 50 °C
 Medium temperature min./max.: -10 °C ... 50 °C
 Working pressure min./max.: 10 bar

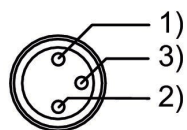
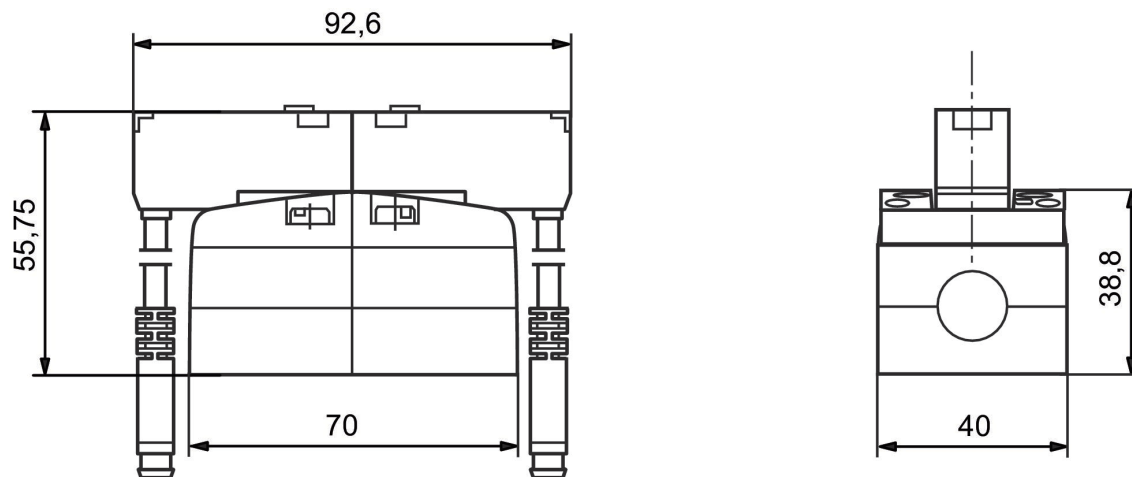


	Switching principle	Operational voltage	Voltage tolerance DC	Cable length L [m]	Power consumption DC [W]	Switch-on time [ms]	Switch-off time [ms]	Part No.
	5/3, closed center	24 V DC	-10 % / +10 %	0.5	2.2	14	22	5811460160
	5/3, closed center	24 V DC	-10 % / +10 %	0.5	2.2	14	22	5811461160
	5/3, closed center	24 V DC	-10 % / +10 %	0.5	2.2	14	22	5811462160
	5/3, closed center	24 V DC	-10 % / +10 %	0.5	2.2	14	22	5811463160
	5/3, exhausted center	24 V DC	-10 % / +10 %	0.5	2.2	14	22	5811560160
	5/3, exhausted center	24 V DC	-10 % / +10 %	0.5	2.2	14	22	5811561160
	5/3, exhausted center	24 V DC	-10 % / +10 %	0.5	2.2	14	22	5811562160
	5/3, exhausted center	24 V DC	-10 % / +10 %	0.5	2.2	14	22	5811563160
	5/3, pressurized center	24 V DC	-10 % / +10 %	0.5	2.2	14	22	5811760160
	5/3, pressurized center	24 V DC	-10 % / +10 %	0.5	2.2	14	22	5811761160
	5/3, pressurized center	24 V DC	-10 % / +10 %	0.5	2.2	14	22	5811762160
	5/3, pressurized center	24 V DC	-10 % / +10 %	0.5	2.2	14	22	5811763160

Pilot	Throttle	Part No.
Internal		5811460160
Internal	with throttle	5811461160
External		5811462160
External	with throttle	5811463160
Internal		5811560160
Internal	with throttle	5811561160
External		5811562160

Pilot	Throttle	Part No.
External	with throttle	5811563160
Internal		5811760160
Internal	with throttle	5811761160
External		5811762160
External	with throttle	5811763160

Dimensions



Pin assignment 1) brown (+24 V) 2) green/yellow (ground) 3) blue (0 V)

5/3-directional valve, Series 581, size 1, exhausted center

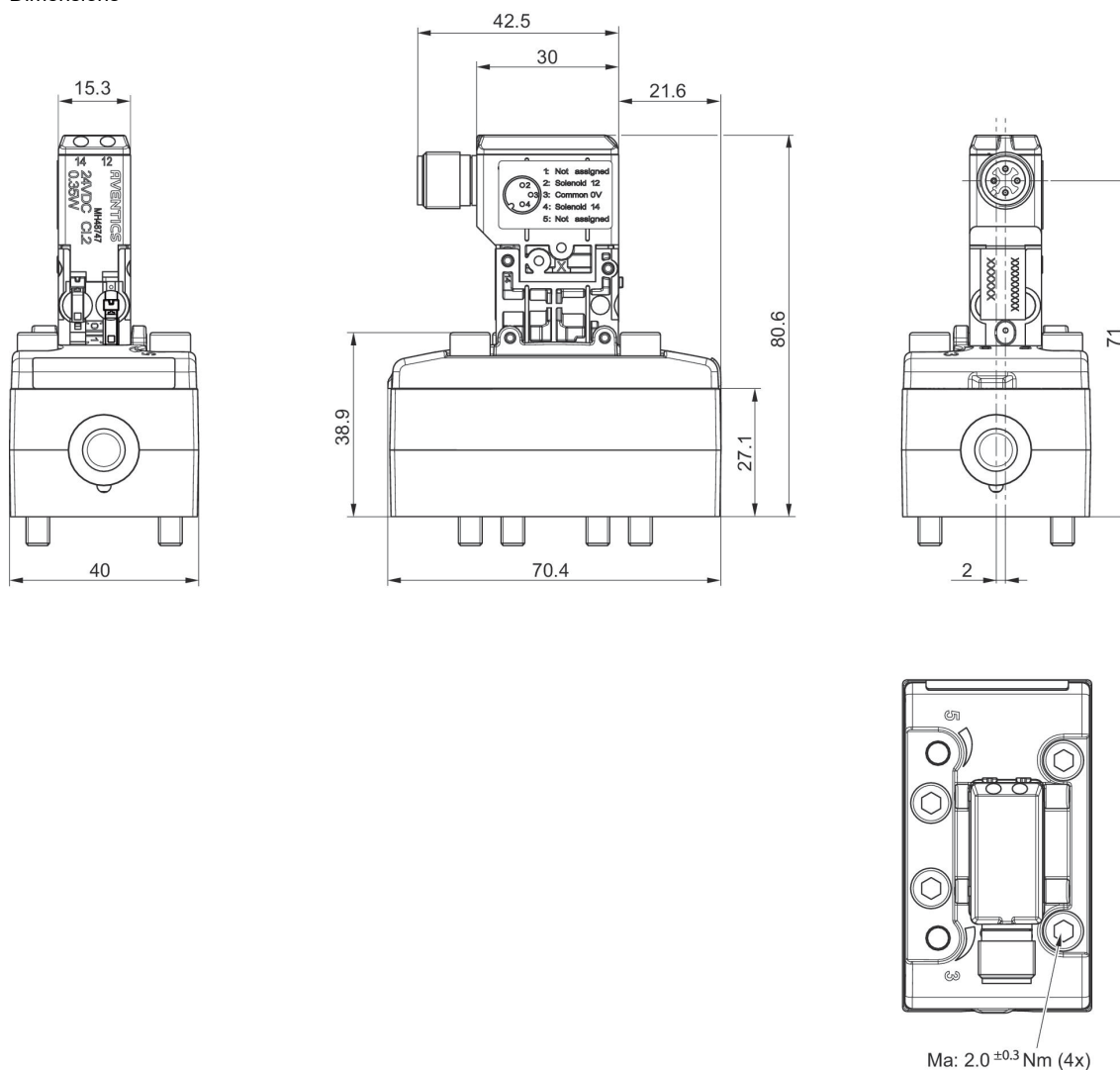
Flow: 4100 l/min
 Activation: Electrically
 Control pressure min./max.: 3.2 bar ... 10 bar
 Duty cycle: 100 %
 Type: Spool valve
 Ambient temperature min./max.: -10 °C ... 60 °C
 Medium temperature min./max.: -10 °C ... 60 °C
 Working pressure min./max.: 10 bar



	Switching principle	Operational voltage	Voltage tolerance DC	Power consumption DC [W]	Switch-on time [ms]	Switch-off time [ms]	Pilot	Part No.
	5/3, exhausted center	24 V DC	-10 % / +10 %	0.35	15	25	External	5811522720
	5/3, exhausted center	24 V DC	-10 % / +10 %	0.35	15	25	External	5811522710
	5/3, exhausted center	24 V DC	-10 % / +10 %	0.35	15	25	Internal	5811520720
	5/3, exhausted center	24 V DC	-10 % / +10 %	0.35	15	25	Internal	5811520710
	5/3, exhausted center	24 V DC	-10 % / +10 %	0.35	15	25	External	5811523720
	5/3, exhausted center	24 V DC	-10 % / +10 %	0.35	15	25	External	5811523710
	5/3, exhausted center	24 V DC	-10 % / +10 %	0.35	15	25	Internal	5811521720
	5/3, exhausted center	24 V DC	-10 % / +10 %	0.35	15	25	Internal	5811521710

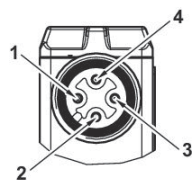
Throttle	Manual override	Part No.
	without detent	5811522720
	with detent	5811522710
	without detent	5811520720
	with detent	5811520710
with throttle	without detent	5811523720
with throttle	with detent	5811523710
with throttle	without detent	5811521720
with throttle	with detent	5811521710

Dimensions



5811522720, 5811522710, 5811520720, 5811520710, 5811523720, 5811523710, 5811521720, 5811521710

Pin assignments



- 1) not assigned
- 2) Coil 12
- 3) 0 V DC
- 4) Coil 14

5/3-directional valve, Series 581, size 1, closed center

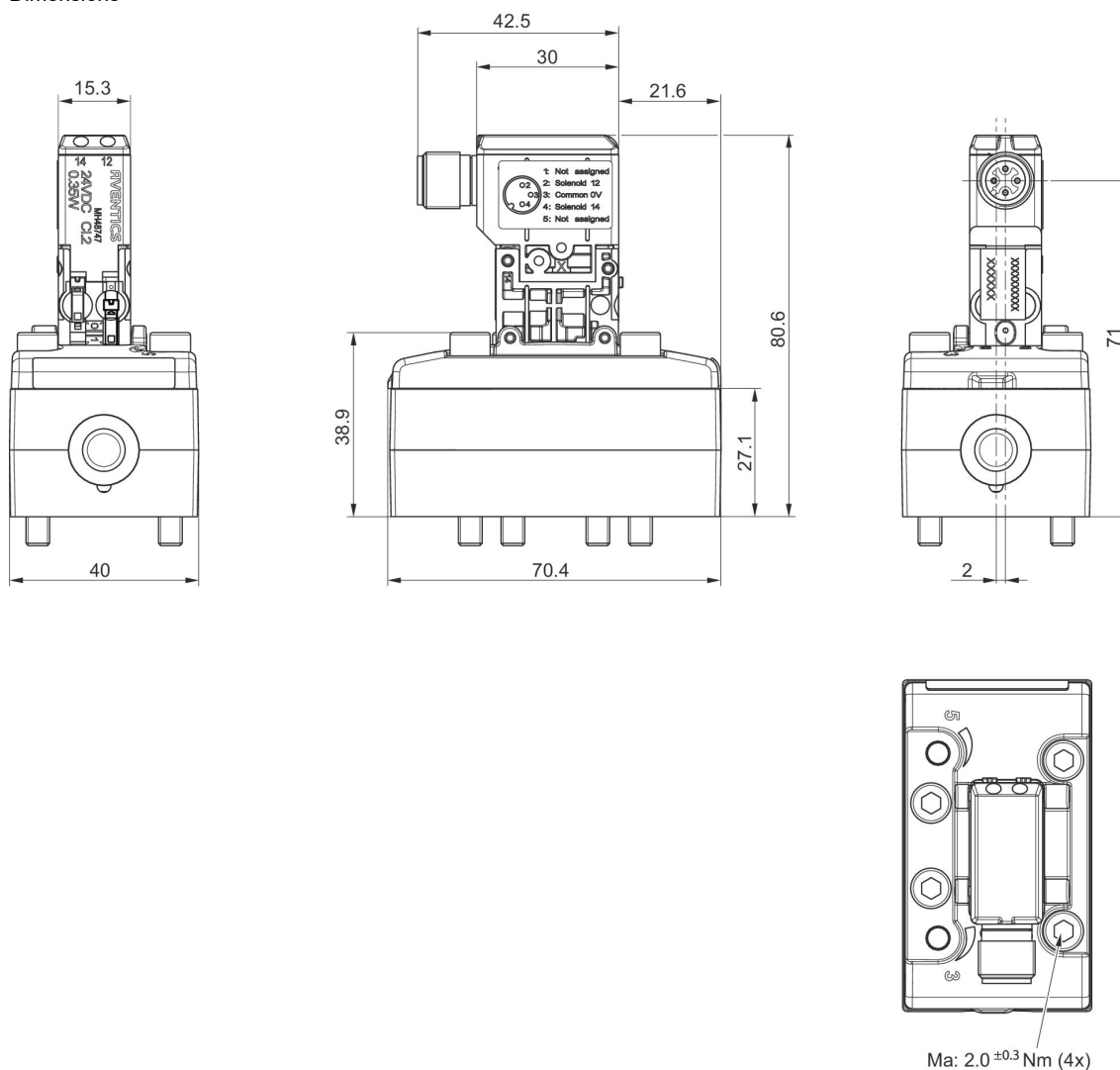
Flow: 4100 l/min
 Activation: Electrically
 Control pressure min./max.: 3.2 bar ... 10 bar
 Duty cycle: 100 %
 Type: Spool valve
 Ambient temperature min./max.: -10 °C ... 60 °C
 Medium temperature min./max.: -10 °C ... 60 °C
 Working pressure min./max.: 10 bar



	Switching principle	Operational voltage	Voltage tolerance DC	Power consumption DC [W]	Switch-on time [ms]	Switch-off time [ms]	Pilot	Part No.
	5/3, closed center	24 V DC	-10 % / +10 %	0.35	12	25	External	5811422720
	5/3, closed center	24 V DC	-10 % / +10 %	0.35	12	25	External	5811422710
	5/3, closed center	24 V DC	-10 % / +10 %	0.35	12	25	Internal	5811420720
	5/3, closed center	24 V DC	-10 % / +10 %	0.35	12	25	Internal	5811420710
	5/3, closed center	24 V DC	-10 % / +10 %	0.35	12	25	External	5811423720
	5/3, closed center	24 V DC	-10 % / +10 %	0.35	12	25	External	5811423710
	5/3, closed center	24 V DC	-10 % / +10 %	0.35	12	25	Internal	5811421720
	5/3, closed center	24 V DC	-10 % / +10 %	0.35	12	25	Internal	5811421710

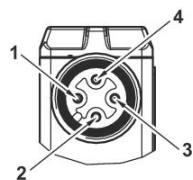
Throttle	Manual override	Part No.
	without detent	5811422720
	with detent	5811422710
	without detent	5811420720
	with detent	5811420710
with throttle	without detent	5811423720
with throttle	with detent	5811423710
with throttle	without detent	5811421720
with throttle	with detent	5811421710

Dimensions



5811422720, 5811422710, 5811420720, 5811420710, 5811423720, 5811423710, 5811421720, 5811421710

Pin assignments



- 1) not assigned
- 2) Coil 12
- 3) 0 V DC
- 4) Coil 14

5/3-directional valve, Series 581, size 1, pressurized center

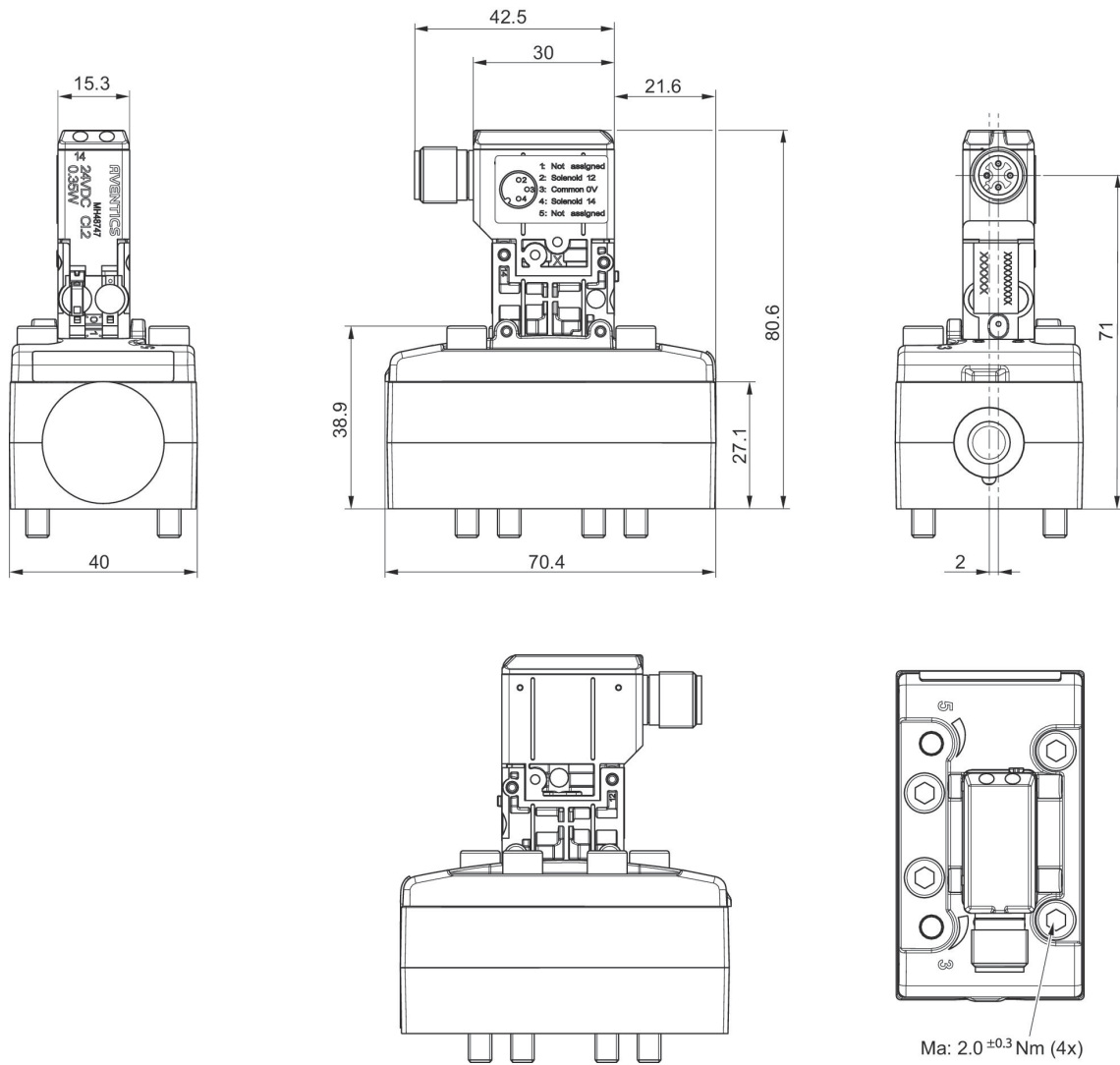
Flow: 4100 l/min
 Activation: Electrically
 Control pressure min./max.: 3.2 bar ... 10 bar
 Duty cycle: 100 %
 Type: Spool valve
 Ambient temperature min./max.: -10 °C ... 60 °C
 Medium temperature min./max.: -10 °C ... 60 °C
 Working pressure min./max.: 10 bar



	Switching principle	Operational voltage	Voltage tolerance DC	Power consumption DC [W]	Switch-on time [ms]	Switch-off time [ms]	Pilot	Part No.
	5/3, pressurized center	24 V DC	-10 % / +10 %	0.35	12	25	External	5811722720
	5/3, pressurized center	24 V DC	-10 % / +10 %	0.35	12	25	External	5811722710
	5/3, pressurized center	24 V DC	-10 % / +10 %	0.35	12	25	Internal	5811720720
	5/3, pressurized center	24 V DC	-10 % / +10 %	0.35	12	25	Internal	5811720710
	5/3, pressurized center	24 V DC	-10 % / +10 %	0.35	12	25	External	5811723720
	5/3, pressurized center	24 V DC	-10 % / +10 %	0.35	12	25	External	5811723710
	5/3, pressurized center	24 V DC	-10 % / +10 %	0.35	12	25	Internal	5811721720
	5/3, pressurized center	24 V DC	-10 % / +10 %	0.35	12	25	Internal	5811721710

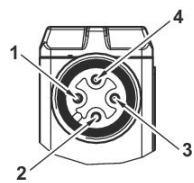
Throttle	Manual override	Part No.
	without detent	5811722720
	with detent	5811722710
	without detent	5811720720
	with detent	5811720710
with throttle	without detent	5811723720
with throttle	with detent	5811723710
with throttle	without detent	5811721720
with throttle	with detent	5811721710

Dimensions



5811722720, 5811722710, 5811720720, 5811720710, 5811723720, 5811723710, 5811721720, 5811721710

Pin assignments



- 1) not assigned
- 2) Coil 12
- 3) 0 V DC
- 4) Coil 14

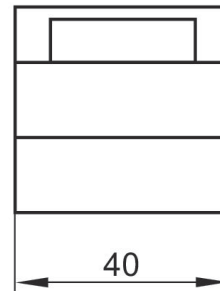
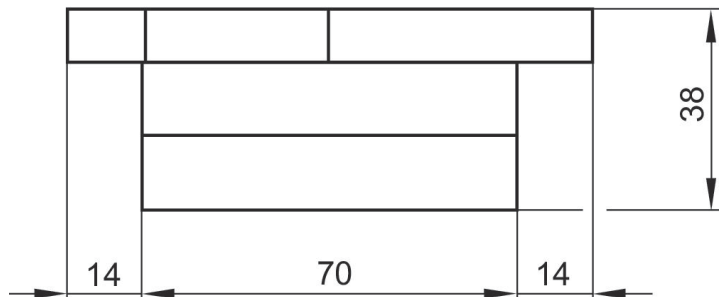
5/3-directional valve, Series 581, size 1

Flow: 1100 l/min
 Activation: Electrically
 Control pressure min./max.: 3 bar ... 10 bar
 Duty cycle: 100 %
 Type: Spool valve
 Ambient temperature min./max.: -15 °C ... 50 °C
 Medium temperature min./max.: -15 °C ... 50 °C
 Working pressure min./max.: -0.95 bar ... 10 bar



	Switching principle	Pilot	Part No.
	5/3, closed center	External, Internal	5811480080
	5/3, exhausted center	External, Internal	5811580080
	5/3, exhausted center	External, Internal	5811780080

Dimensions



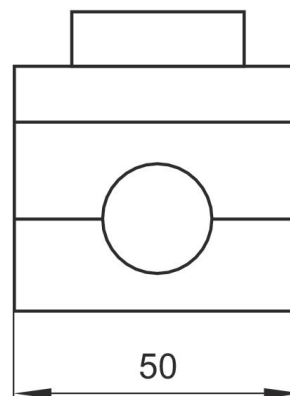
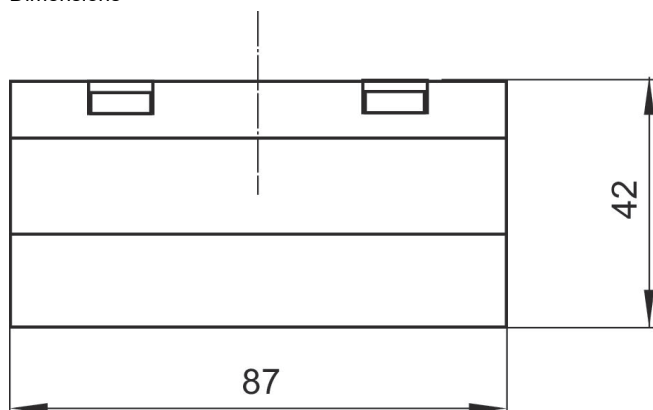
5/3-directional valve, Series 581, size 1 ATEX

Flow: 1100 l/min
 Activation: Electrically
 Control pressure min./max.: 3 bar ... 16 bar
 Duty cycle: 100 %
 Type: Spool valve
 Ambient temperature min./max.: -20 °C ... 70 °C
 Medium temperature min./max.: -20 °C ... 70 °C
 Working pressure min./max.: -0.95 bar ... 16 bar



	Switching principle	Pilot	Part No.
	5/3, closed center	External, Internal	5811480100
	5/3, exhausted center	External, Internal	5811580100
	5/3, pressurized center	External, Internal	5811780100

Dimensions



5/3-directional valve, Series 581, size 1, Max. control pressure: 10 bar

Flow: 1100 l/min
 Activation: Electrically
 Control pressure min./max.: 3 bar ... 10 bar
 Duty cycle: 100 %
 Type: Spool valve
 Ambient temperature min./max.: -15 °C ... 50 °C
 Medium temperature min./max.: -15 °C ... 50 °C
 Working pressure min./max.: 10 bar

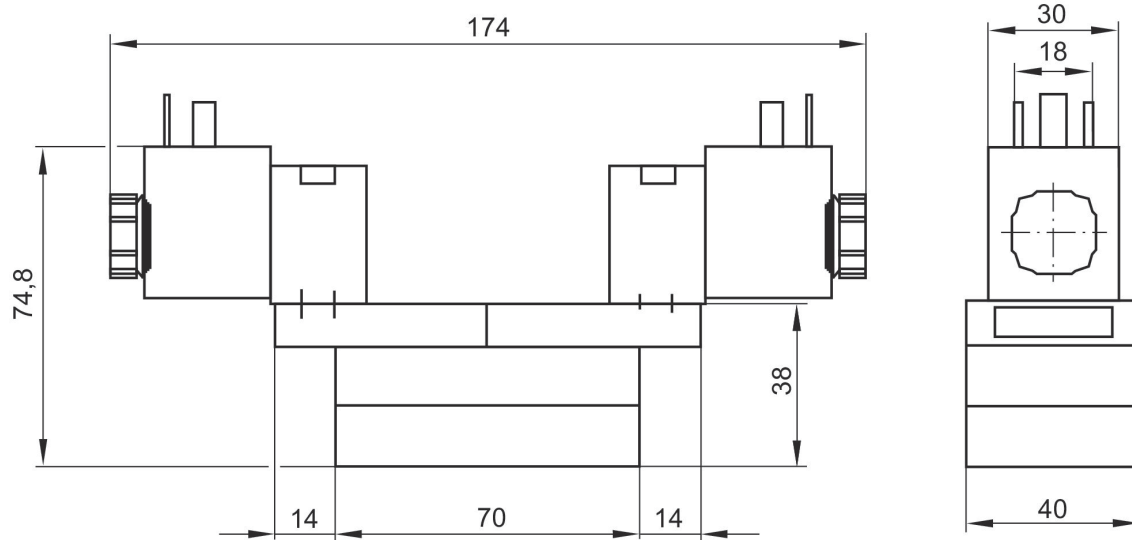


	Switching principle	Operational voltage	Voltage tolerance DC	Power consumption DC [W]	Switch-on time [ms]	Switch-off time [ms]	Pilot	Part No.
	5/3, closed center	24 V DC	-10 % / +10 %	2	14	28	Internal	5811490650
	5/3, closed center	230 V AC			14	28	Internal	5811490450
	5/3, closed center	24 V DC	-10 % / +10 %	2	14	28	Internal	5811491650
	5/3, closed center	230 V AC			14	28	Internal	5811491450
	5/3, closed center	24 V DC	-10 % / +10 %	2	14	28	External	5811492650
	5/3, closed center	230 V AC			14	28	External	5811492450
	5/3, closed center	24 V DC	-10 % / +10 %	2	14	28	External	5811493650
	5/3, closed center	230 V AC			14	28	External	5811493450
	5/3, exhausted center	24 V DC	-10 % / +10 %	2	14	28	Internal	5811590650
	5/3, exhausted center	230 V AC			14	28	Internal	5811590450
	5/3, exhausted center	24 V DC	-10 % / +10 %	2	14	28	Internal	5811591650
	5/3, exhausted center	230 V AC			14	28	Internal	5811591450
	5/3, exhausted center	24 V DC	-10 % / +10 %	2	14	28	External	5811592650
	5/3, exhausted center	230 V AC			14	28	External	5811592450
	5/3, exhausted center	24 V DC	-10 % / +10 %	2	14	28	External	5811593650
	5/3, exhausted center	230 V AC			14	28	External	5811593450
	5/3, pressurized center	24 V DC	-10 % / +10 %	2	14	28	Internal	5811790650

	Switching principle	Operational voltage	Voltage tolerance DC	Power consumption DC [W]	Switch-on time [ms]	Switch-off time [ms]	Pilot	Part No.
	5/3, pressurized center	230 V AC			14	28	Internal	5811790450
	5/3, pressurized center	24 V DC	-10 % / +10 %	2	14	28	Internal	5811791650
	5/3, pressurized center	230 V AC			14	28	Internal	5811791450
	5/3, pressurized center	24 V DC	-10 % / +10 %	2	14	28	External	5811792650
	5/3, pressurized center	230 V AC			14	28	External	5811792450
	5/3, pressurized center	24 V DC	-10 % / +10 %	2	14	28	External	5811793650
	5/3, pressurized center	230 V AC			14	28	External	5811793450

Throttle	Compatibility index	Part No.
	14	5811490650
	14	5811490450
with throttle	14	5811491650
with throttle	14	5811491450
	14	5811492650
	14	5811492450
with throttle	14	5811493650
with throttle	14	5811493450
	14	5811590650
	14	5811590450
with throttle	14	5811591650
with throttle	14	5811591450
	14	5811592650
	14	5811592450
with throttle	14	5811593650
with throttle	14	5811593450
	14	5811790650
	14	5811790450
with throttle	14	5811791650
with throttle	14	5811791450
	14	5811792650
	14	5811792450
with throttle	14	5811793650
with throttle	14	5811793450

Dimensions



5/3-directional valve, Series 581, size 1, Max. control pressure: 16 bar

Flow: 1100 l/min
 Activation: Electrically
 Control pressure min./max.: 3 bar ... 16 bar
 Duty cycle: 100 %
 Type: Spool valve
 Ambient temperature min./max.: -15 °C ... 50 °C
 Medium temperature min./max.: -15 °C ... 50 °C
 Working pressure min./max.: 16 bar

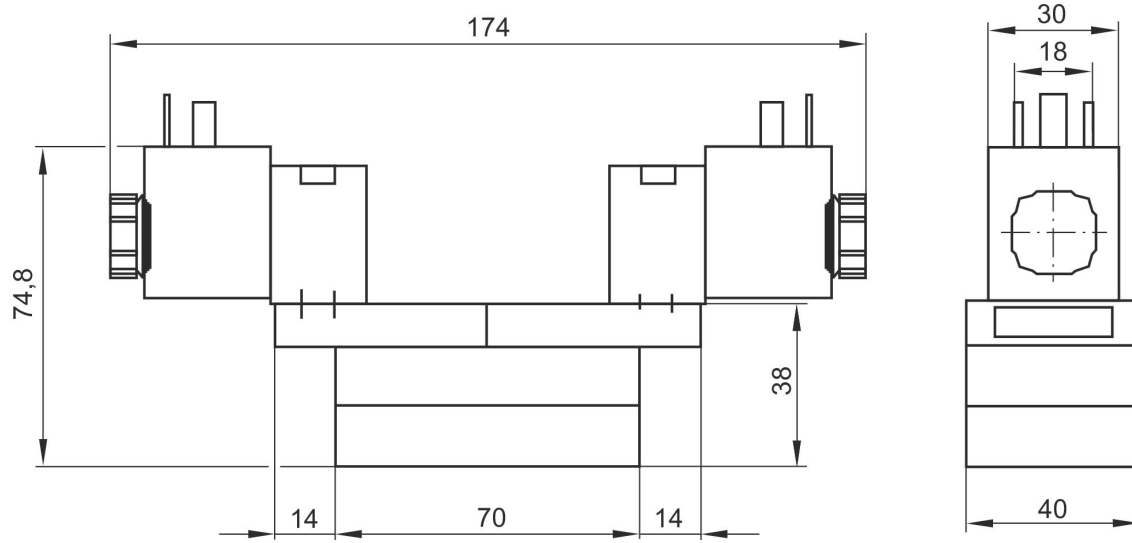


	Switching principle	Operational voltage	Voltage tolerance DC	Power consumption DC [W]	Switch-on time [ms]	Switch-off time [ms]	Pilot	Part No.
	5/3, closed center	24 V DC / 42 V AC	-10 % / +10 %	6.7	14	28	Internal	5811490540
	5/3, closed center	230 V AC			14	28	Internal	5811490440
	5/3, closed center	24 V DC / 42 V AC	-10 % / +10 %	6.7	14	28	Internal	5811491540
	5/3, closed center	230 V AC			14	28	Internal	5811491440
	5/3, closed center	24 V DC / 42 V AC	-10 % / +10 %	6.7	14	28	External	5811492540
	5/3, closed center	230 V AC			14	28	External	5811492440
	5/3, closed center	24 V DC / 42 V AC	-10 % / +10 %	6.7	14	28	External	5811493540
	5/3, closed center	230 V AC			14	28	External	5811493440
	5/3, exhausted center	24 V DC / 42 V AC	-10 % / +10 %	6.7	14	28	Internal	5811590540
	5/3, exhausted center	230 V AC			14	28	Internal	5811590440
	5/3, exhausted center	24 V DC / 42 V AC	-10 % / +10 %	6.7	14	28	Internal	5811591540
	5/3, exhausted center	230 V AC			14	28	Internal	5811591440
	5/3, exhausted center	24 V DC / 42 V AC	-10 % / +10 %	6.7	14	28	External	5811592540
	5/3, exhausted center	230 V AC			14	28	External	5811592440
	5/3, exhausted center	24 V DC / 42 V AC	-10 % / +10 %	6.7	14	28	External	5811593540
	5/3, exhausted center	230 V AC			14	28	External	5811593440
	5/3, pressurized center	24 V DC / 42 V AC	-10 % / +10 %	6.7	14	28	Internal	5811790540
	5/3, pressurized center	230 V AC			14	28	Internal	5811790440

	Switching principle	Operational voltage	Voltage tolerance DC	Power consumption DC [W]	Switch-on time [ms]	Switch-off time [ms]	Pilot	Part No.
	5/3, pressurized center	24 V DC / 42 V AC	-10 % / +10 %	6.7	14	28	Internal	5811791540
	5/3, pressurized center	230 V AC			14	28	Internal	5811791440
	5/3, pressurized center	24 V DC / 42 V AC	-10 % / +10 %	6.7	14	28	External	5811792540
	5/3, pressurized center	230 V AC			14	28	External	5811792440
	5/3, pressurized center	24 V DC / 42 V AC	-10 % / +10 %	6.7	14	28	External	5811793540
	5/3, pressurized center	230 V AC			14	28	External	5811793440

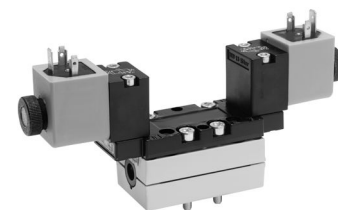
Throttle	Part No.
	5811490540
	5811490440
with throttle	5811491540
with throttle	5811491440
	5811492540
	5811492440
with throttle	5811493540
with throttle	5811493440
	5811590540
	5811590440
with throttle	5811591540
with throttle	5811591440
	5811592540
	5811592440
with throttle	5811593540
with throttle	5811593440
	5811790540
	5811790440
with throttle	5811791540
with throttle	5811791440
	5811792540
	5811792440
with throttle	5811793540
with throttle	5811793440

Dimensions

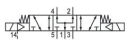
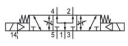
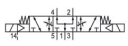


5/3-directional valve, Series 581, size 1

Flow: 1100 l/min
 Activation: Electrically
 Control pressure min./max.: 3 bar ... 16 bar
 Duty cycle: 100 %
 Type: Spool valve
 Ambient temperature min./max.: -15 °C ... 50 °C
 Medium temperature min./max.: -15 °C ... 50 °C
 Working pressure min./max.: 16 bar

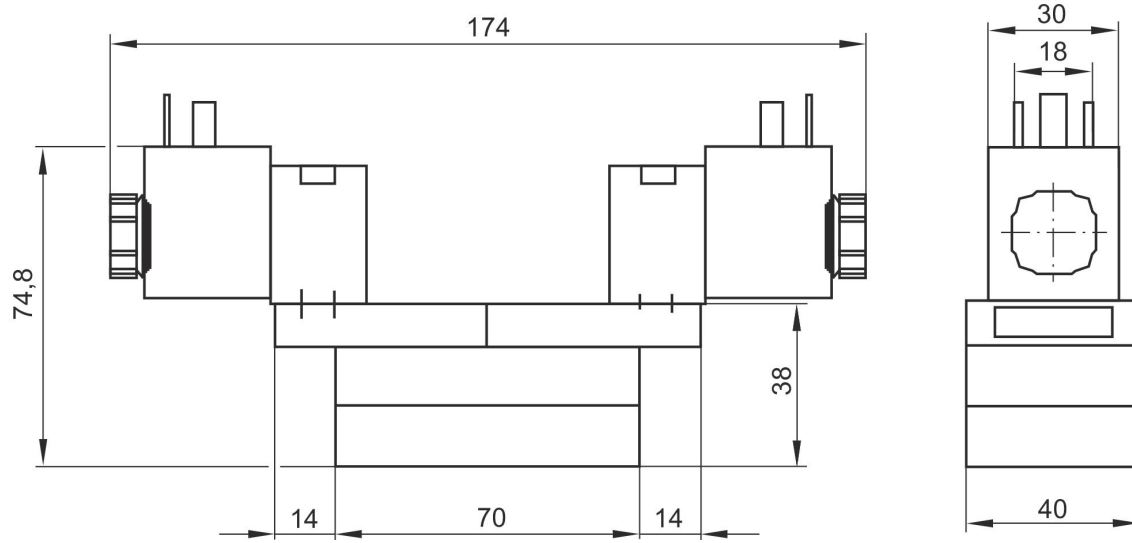


	Switching principle	Operational voltage	Voltage tolerance DC	Power consumption DC [W]	Switch-on time [ms]	Switch-off time [ms]	Pilot	Part No.
	5/3, closed center	24 V DC	-10 % / +10 %	6.7	14	28	Internal	5811490530
	5/3, closed center	230 V AC			14	28	Internal	5811490430
	5/3, closed center	24 V DC	-10 % / +10 %	6.7	14	28	Internal	5811491530
	5/3, closed center	230 V AC			14	28	Internal	5811491430
	5/3, closed center	24 V DC	-10 % / +10 %	6.7	14	28	External	5811492530
	5/3, closed center	230 V AC			14	28	External	5811492430
	5/3, closed center	24 V DC	-10 % / +10 %	6.7	14	28	External	5811493530
	5/3, closed center	230 V AC			14	28	External	5811493430
	5/3, exhausted center	24 V DC	-10 % / +10 %	6.7	14	28	Internal	5811590530
	5/3, exhausted center	230 V AC			14	28	Internal	5811590430
	5/3, exhausted center	24 V DC	-10 % / +10 %	6.7	14	28	Internal	5811591530
	5/3, exhausted center	230 V AC			14	28	Internal	5811591430
	5/3, exhausted center	24 V DC	-10 % / +10 %	6.7	14	28	External	5811592530
	5/3, exhausted center	230 V AC			14	28	External	5811592430
	5/3, exhausted center	230 V AC			14	28	External	5811593430
	5/3, pressurized center	24 V DC	-10 % / +10 %	6.7	14	28	Internal	5811790530
	5/3, pressurized center	230 V AC			14	28	Internal	5811790430
	5/3, pressurized center	24 V DC	-10 % / +10 %	6.7	14	28	Internal	5811791530
	5/3, pressurized center	230 V AC			14	28	Internal	5811791430
	5/3, pressurized center	24 V DC	-10 % / +10 %	6.7	14	28	External	5811792530

	Switching principle	Operational voltage	Voltage tolerance DC	Power consumption DC [W]	Switch-on time [ms]	Switch-off time [ms]	Pilot	Part No.
	5/3, pressurized center	230 V AC			14	28	External	5811792430
	5/3, pressurized center	24 V DC	-10 % / +10 %	6.7	14	28	External	5811793530
	5/3, pressurized center	230 V AC			14	28	External	5811793430

Throttle	Part No.
	5811490530
	5811490430
with throttle	5811491530
with throttle	5811491430
	5811492530
	5811492430
with throttle	5811493530
with throttle	5811493430
	5811590530
	5811590430
with throttle	5811591530
with throttle	5811591430
	5811592530
	5811592430
with throttle	5811593430
	5811790530
	5811790430
with throttle	5811791530
with throttle	5811791430
	5811792530
	5811792430
with throttle	5811793530
with throttle	5811793430

Dimensions



5/3-directional valve, Series 581, size 1

Flow: 1100 l/min
 Activation: Electrically
 Control pressure min./max.: 3 bar ... 10 bar
 Duty cycle: 100 %
 Type: Spool valve
 Ambient temperature min./max.: -15 °C ... 50 °C
 Medium temperature min./max.: -15 °C ... 50 °C
 Working pressure min./max.: 10 bar

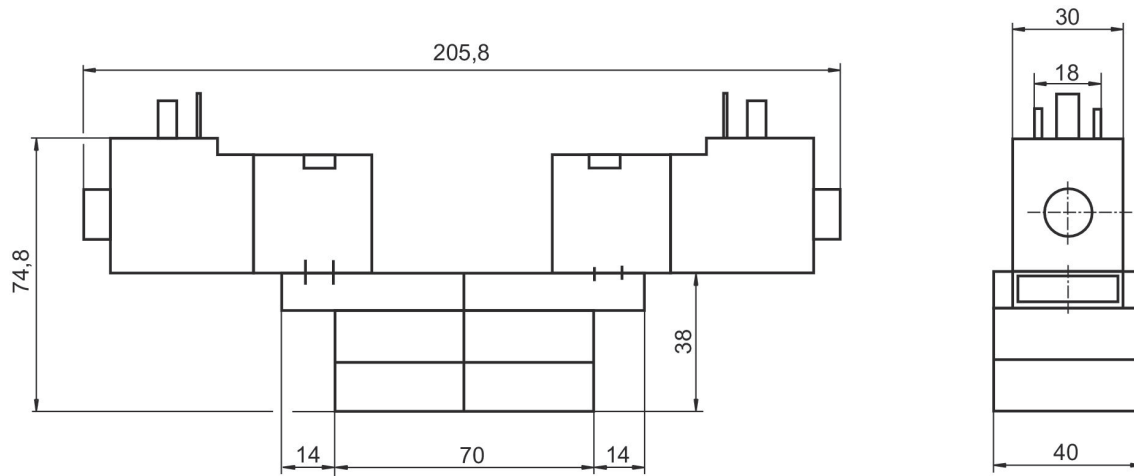


	Switching principle	Operational voltage	Voltage tolerance DC	Power consumption DC [W]	Switch-on time [ms]	Switch-off time [ms]	Pilot	Part No.
	5/3, closed center	24 V DC	-10 % / +10 %	6	14	28	Internal	5811490190
	5/3, closed center	24 V DC	-10 % / +10 %	6	14	28	Internal	5811491190
	5/3, closed center	24 V DC	-10 % / +10 %	6	14	28	External	5811492190
	5/3, closed center	24 V DC	-10 % / +10 %	6	14	28	External	5811493190
	5/3, exhausted center	24 V DC	-10 % / +10 %	6	14	28	Internal	5811590190
	5/3, exhausted center	24 V DC	-10 % / +10 %	6	14	28	Internal	5811591190
	5/3, exhausted center	24 V DC	-10 % / +10 %	6	14	28	External	5811592190
	5/3, exhausted center	24 V DC	-10 % / +10 %	6	14	28	External	5811593190
	5/3, pressurized center	24 V DC	-10 % / +10 %	6	14	28	Internal	5811790190
	5/3, pressurized center	24 V DC	-10 % / +10 %	6	14	28	Internal	5811791190
	5/3, pressurized center	24 V DC	-10 % / +10 %	6	14	28	External	5811792190
	5/3, pressurized center	24 V DC	-10 % / +10 %	6	14	28	External	5811793190

Throttle	Part No.
	5811490190
with throttle	5811491190
	5811492190
with throttle	5811493190
	5811590190
with throttle	5811591190
	5811592190
with throttle	5811593190
	5811790190
with throttle	5811791190

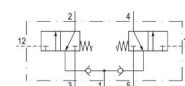
Throttle	Part No.
	5811792190
with throttle	5811793190

Dimensions



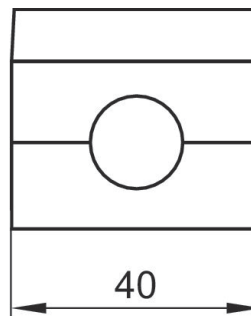
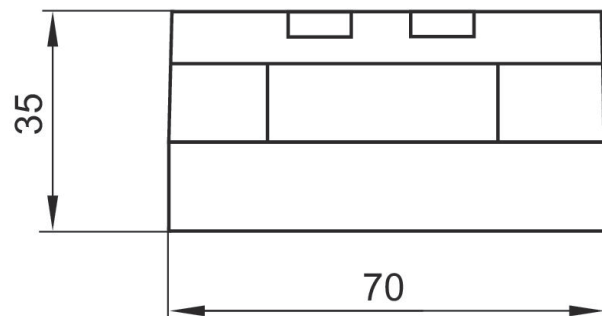
2x3/2-directional valve, Series 581, size 1

Flow: 950 l/min
 Activation: Pneumatically operated
 Control pressure min./max.: 3.5 bar ... 8 bar
 Type: Spool valve
 Ambient temperature min./max.: -20 °C ... 70 °C
 Medium temperature min./max.: -20 °C ... 70 °C
 Working pressure min./max.: 0 bar ... 8 bar



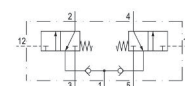
Switching principle	Part No.
2x 3/2 NC/NC, with spring return	R402003708

Dimensions



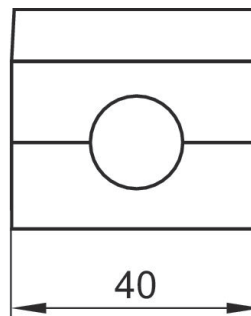
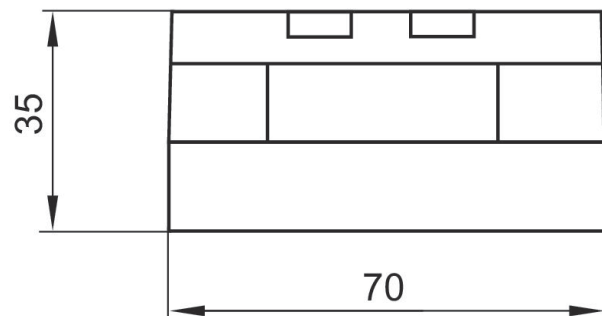
2x3/2-directional valve, Series 581, size 1

Flow: 950 l/min
 Activation: Pneumatically operated
 Control pressure min./max.: 3.5 bar ... 8 bar
 Type: Spool valve
 Ambient temperature min./max.: -20 °C ... 70 °C
 Medium temperature min./max.: -20 °C ... 70 °C
 Working pressure min./max.: 0 bar ... 8 bar



Switching principle	Part No.
2x 3/2 NC/NC, with spring return	5811830100

Dimensions



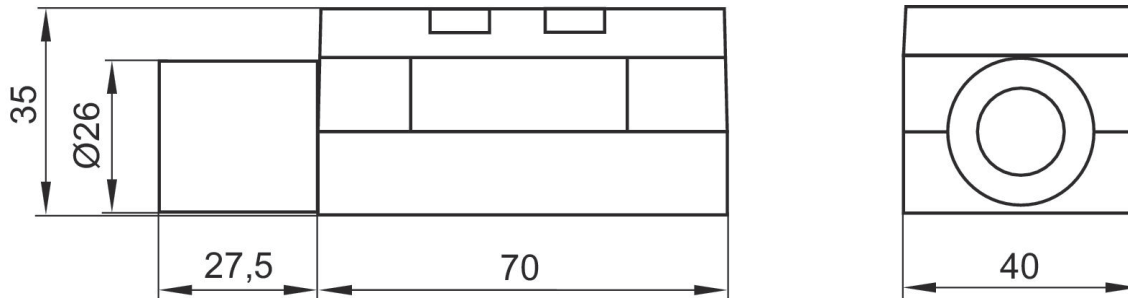
5/2-directional valve, Series 581, size 1, with differential piston

Flow: 1400 l/min
 Activation: Pneumatically operated
 Control pressure min./max.: 1.3 bar ... 16 bar
 Type: Spool valve
 Ambient temperature min./max.: -20 °C ... 70 °C
 Medium temperature min./max.: -20 °C ... 70 °C
 Working pressure min./max.: -0.95 bar ... 16 bar



	Switching principle	Throttle	Part No.
	5/2, with spring return		5811630000
	5/2, with spring return	with throttle	5811631000

Dimensions



5/2-directional valve, Series 581, size 1

Flow: 1400 l/min

Activation: Pneumatically operated

Control pressure min./max.: 1.5 bar ... 16 bar

Type: Spool valve

Ambient temperature min./max.: -20 °C ... 70 °C

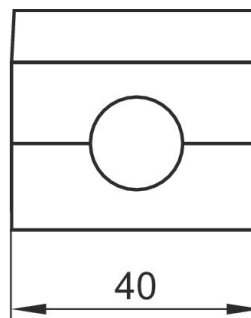
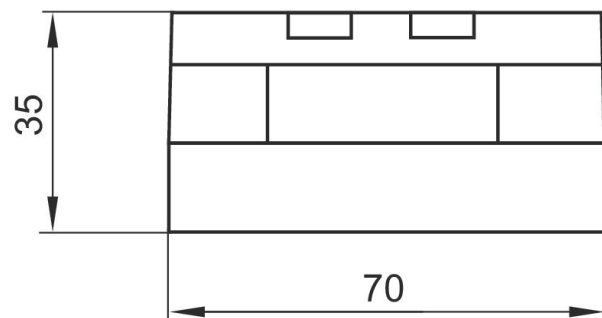
Medium temperature min./max.: -20 °C ... 70 °C

Working pressure min./max.: -0.95 bar ... 16 bar



	Switching principle	Throttle	Manual override	Part No.
	5/2, double solenoid		without	5811230000
	5/2, double solenoid	with throttle	without	5811231000

Dimensions



5/2-directional valve, Series 581, size 1

Flow: 1400 l/min

Activation: Pneumatically operated

Control pressure min./max.: 1.5 bar ... 16 bar

Type: Spool valve

Ambient temperature min./max.: -20 °C ... 70 °C

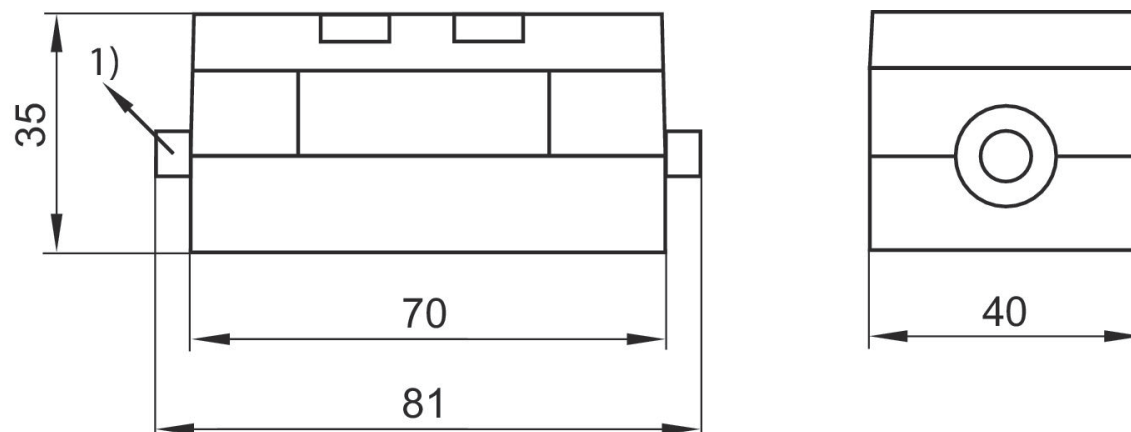
Medium temperature min./max.: -20 °C ... 70 °C

Working pressure min./max.: -0.95 bar ... 16 bar



	Switching principle	Throttle	Manual override	Part No.
	5/2, double solenoid		without detent	5811330000
	5/2, double solenoid	with throttle	without detent	5811331000

Dimensions



1) With manual override

5/2-directional valve, Series 581, size 1, double air pilot, manual override: without

Flow: 1400 l/min

Activation: Pneumatically operated

Control pressure min./max.: 3 bar ... 16 bar

Type: Spool valve

Ambient temperature min./max.: -20 °C ... 70 °C

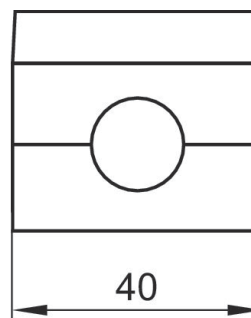
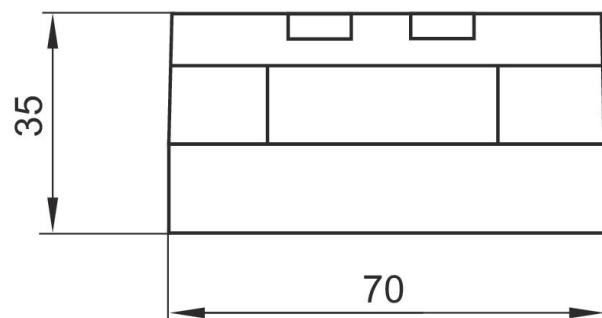
Medium temperature min./max.: -20 °C ... 70 °C

Working pressure min./max.: -0.95 bar ... 16 bar



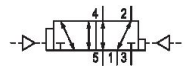
	Switching principle	Throttle	Part No.
	5/2, with spring return		5811130000
	5/2, with spring return	with throttle	5811131000

Dimensions



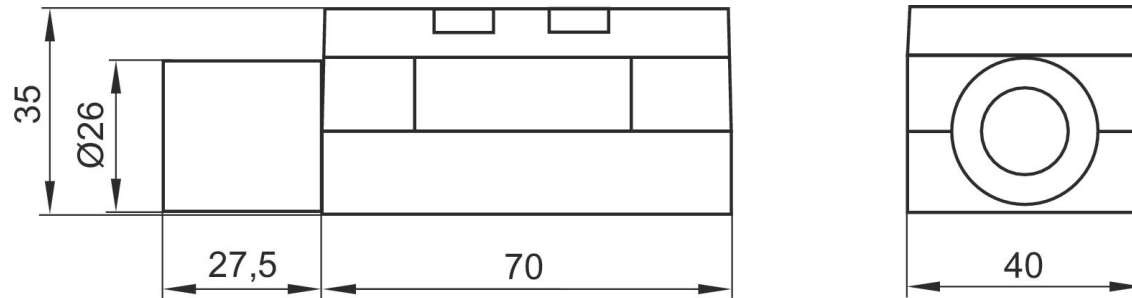
5/2-directional valve, Series 581, size 1, with differential piston

Flow: 1400 l/min
 Activation: Pneumatically operated
 Control pressure min./max.: 1.3 bar ... 16 bar
 Type: Spool valve
 Ambient temperature min./max.: -20 °C ... 70 °C
 Medium temperature min./max.: -20 °C ... 70 °C
 Working pressure min./max.: -0.95 bar ... 16 bar



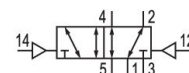
Switching principle	Part No.
5/2, with spring return	5811630100

Dimensions



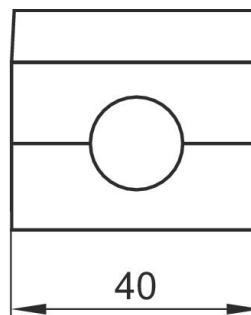
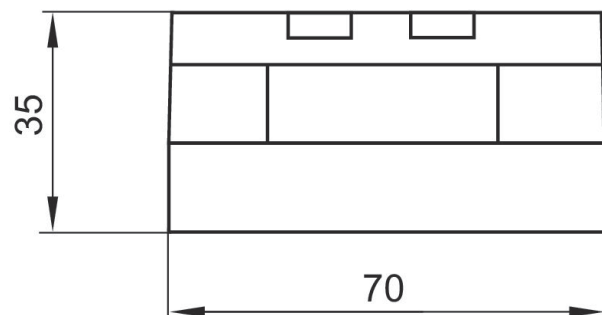
5/2-directional valve, Series 581, size 1

Flow: 1400 l/min
 Activation: Pneumatically operated
 Control pressure min./max.: 1.5 bar ... 16 bar
 Type: Spool valve
 Ambient temperature min./max.: -20 °C ... 70 °C
 Medium temperature min./max.: -20 °C ... 70 °C
 Working pressure min./max.: -0.95 bar ... 16 bar



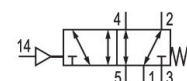
Switching principle	Part No.
5/2, double solenoid	5811230100

Dimensions



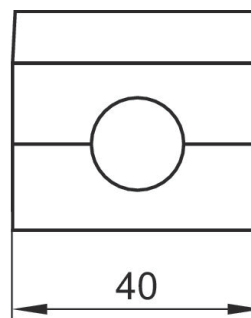
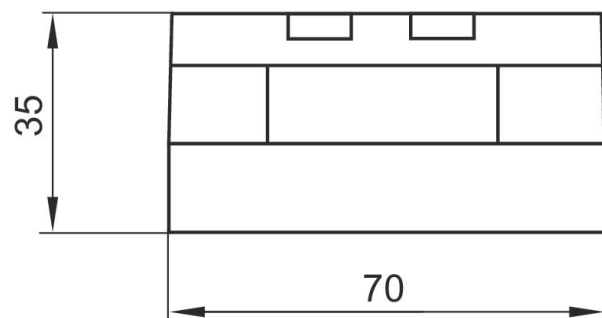
5/2-directional valve, Series 581, size 1 ATEX

Flow: 1400 l/min
 Activation: Pneumatically operated
 Control pressure min./max.: 3 bar ... 16 bar
 Type: Spool valve
 Ambient temperature min./max.: -20 °C ... 70 °C
 Medium temperature min./max.: -20 °C ... 70 °C
 Working pressure min./max.: -0.95 bar ... 16 bar



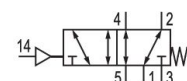
Switching principle	Part No.
5/2, with spring return	5811330100

Dimensions



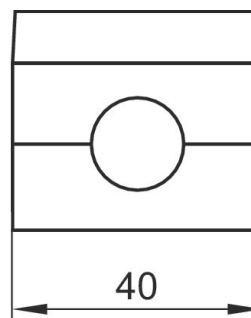
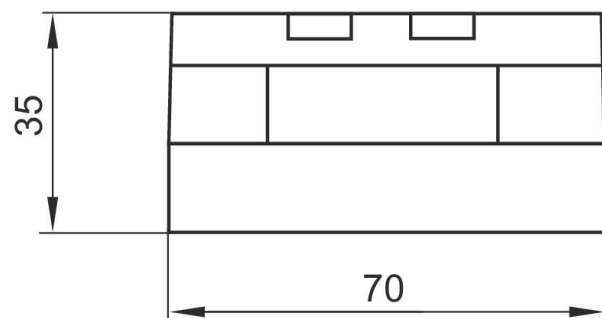
5/2-directional valve, Series 581, size 1

Flow: 1400 l/min
 Activation: Pneumatically operated
 Control pressure min./max.: 3 bar ... 16 bar
 Type: Spool valve
 Ambient temperature min./max.: -20 °C ... 70 °C
 Medium temperature min./max.: -20 °C ... 70 °C
 Working pressure min./max.: -0.95 bar ... 16 bar



Switching principle	Part No.
5/2, with spring return	5811130100

Dimensions



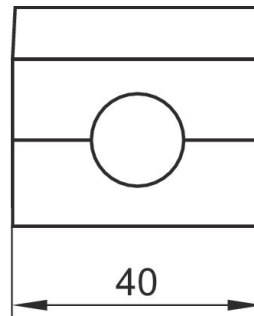
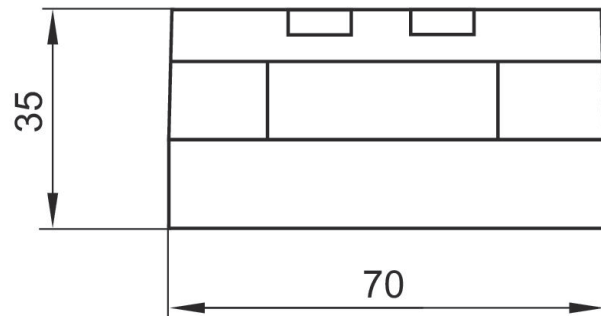
5/3-directional valve, Series 581, size 1

Flow: 1100 l/min
 Activation: Pneumatically operated
 Control pressure min./max.: 3 bar ... 16 bar
 Type: Spool valve
 Ambient temperature min./max.: -20 °C ... 70 °C
 Medium temperature min./max.: -20 °C ... 70 °C
 Working pressure min./max.: -0.95 bar ... 16 bar



	Switching principle	Throttle	Part No.
	5/3, closed center		5811430000
	5/3, closed center	with throttle	5811431000
	5/3, exhaust-ed center		5811530000
	5/3, exhaust-ed center	with throttle	5811531000
	5/3, pressur-ized center		5811730000
	5/3, pressur-ized center	with throttle	5811731000

Dimensions



5/3-directional valve, Series 581, size 1 ATEX

Flow: 1100 l/min

Activation: Pneumatically operated

Control pressure min./max.: 3 bar ... 16 bar

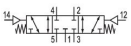

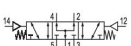
Type: Spool valve

Ambient temperature min./max.: -20 °C ... 70 °C

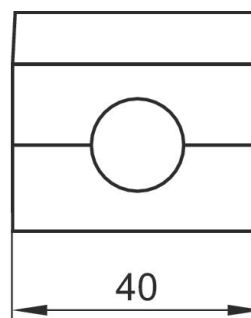
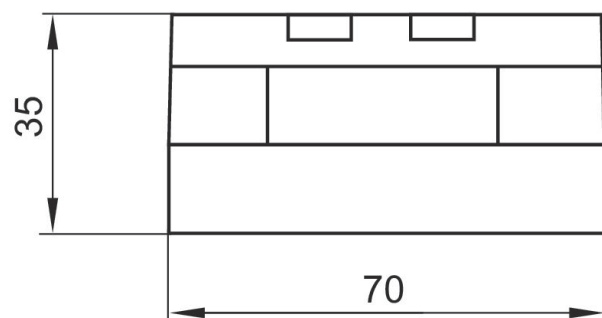
Medium temperature min./max.: -20 °C ... 70 °C

Working pressure min./max.: -0.95 bar ... 16 bar



	Switching principle	Part No.
	5/3, closed center	5811430100
	5/3, exhausted center	5811530100
	5/3, pressurized center	5811730100

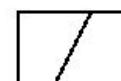
Dimensions



Coil, Series CO1, with cable, ATEX

Coil width: 30 mm

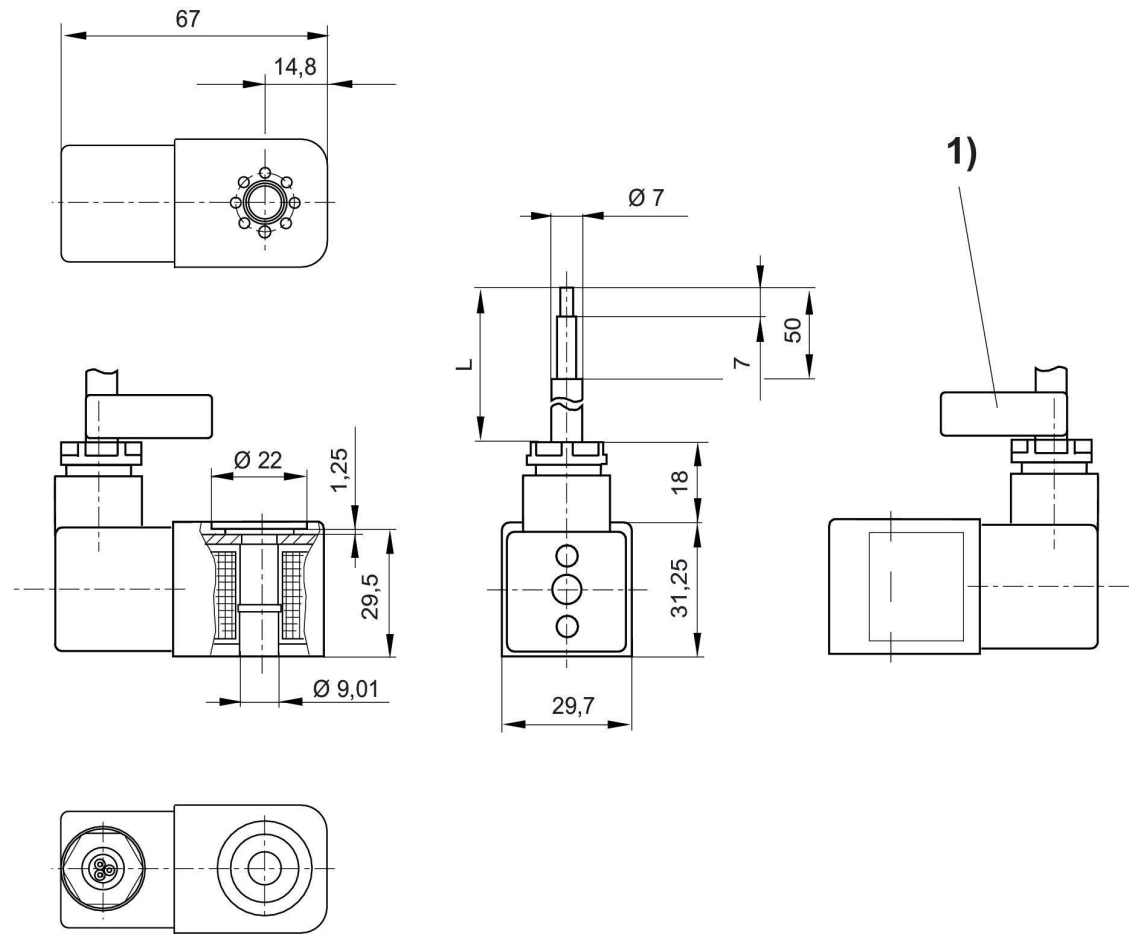
Ambient temperature min./max.: -20 °C ... 50 °C



Operational voltage DC	Operational voltage AC at 50 Hz	Operational voltage AC at 60 Hz	Voltage tolerance DC	Voltage tolerance AC 50 Hz	Power consumption DC [W]	Holding power AC 50 Hz [VA]	Switch-on power AC 50 Hz [VA]	Part No.
	230 V	230 V		-10 % / +10 %		3	3.1	1827414297
	230 V	230 V		-10 % / +10 %		3	3.1	1827414298
	110 V	110 V		-10 % / +10 %		2.9	3	1827414299
24 V			-10 % / +10 %		3.25			1827414303
24 V			-10 % / +10 %		3.25			1827414304

Cable length [m]	Compatibility index	Part No.
3	14	1827414297
10	14	1827414298
3	14	1827414299
3	14	1827414303
10	14	1827414304

Dimensions



L = cable length
1) Cable ID band with serial number

Coil, Series CO1, Form B, industry

Coil width: 22 mm

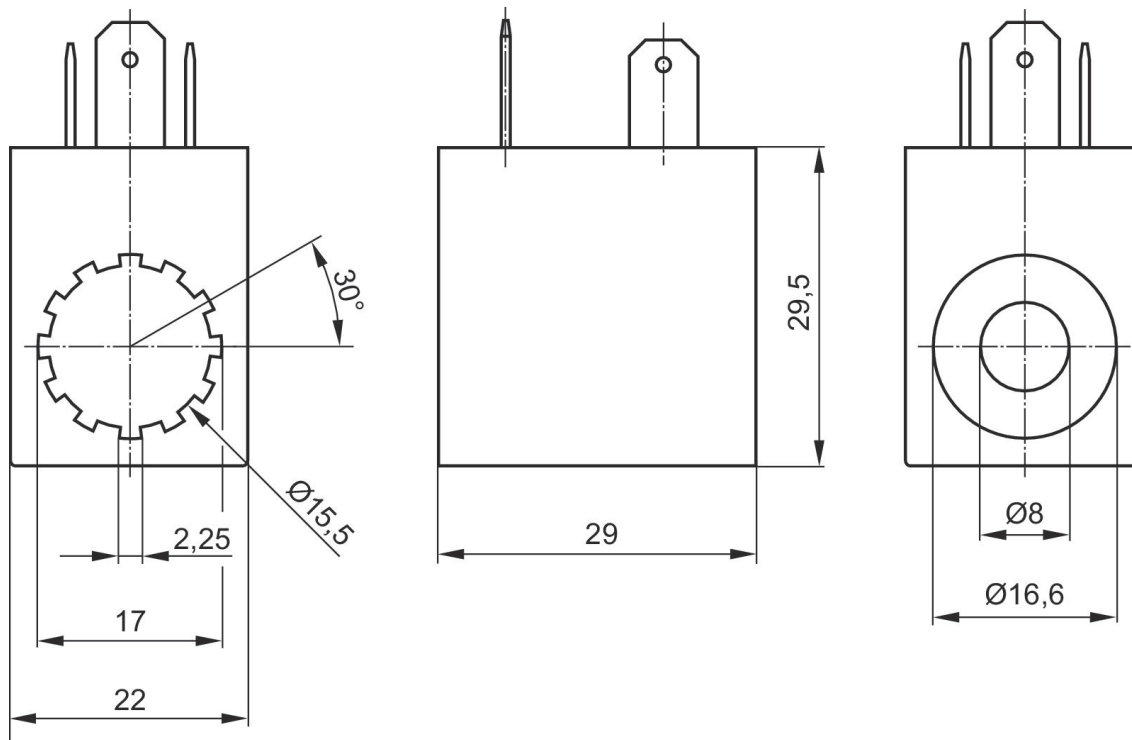
Electrical connection 2, thread size: Form B, industry

Ambient temperature min./max.: 50 °C



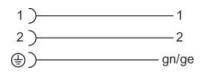
Operational voltage DC	Operational voltage AC at 50 Hz	Voltage tolerance DC	Voltage tolerance AC 50 Hz	Power consumption DC [W]	Holding power AC 50 Hz [VA]	Switch-on power AC 50 Hz [VA]	Part No.
12 V				5			0498317405
24 V		-10 % / +10 %		5			0498317502
24 V		-10 % / +10 %		2			0498318800
48 V				5			0498317618
110 V		-10 % / +10 %		5			0498317707
220 V		-10 % / +10 %		5			0498317804
	24 V		-10 % / +10 %		8	10	0498316905
	48 V		-10 % / +10 %		8	10	0498317006
	110 V		-10 % / +10 %		8	10	0498317103
	230 V		-10 % / +10 %		8	10	0498322506

Dimensions



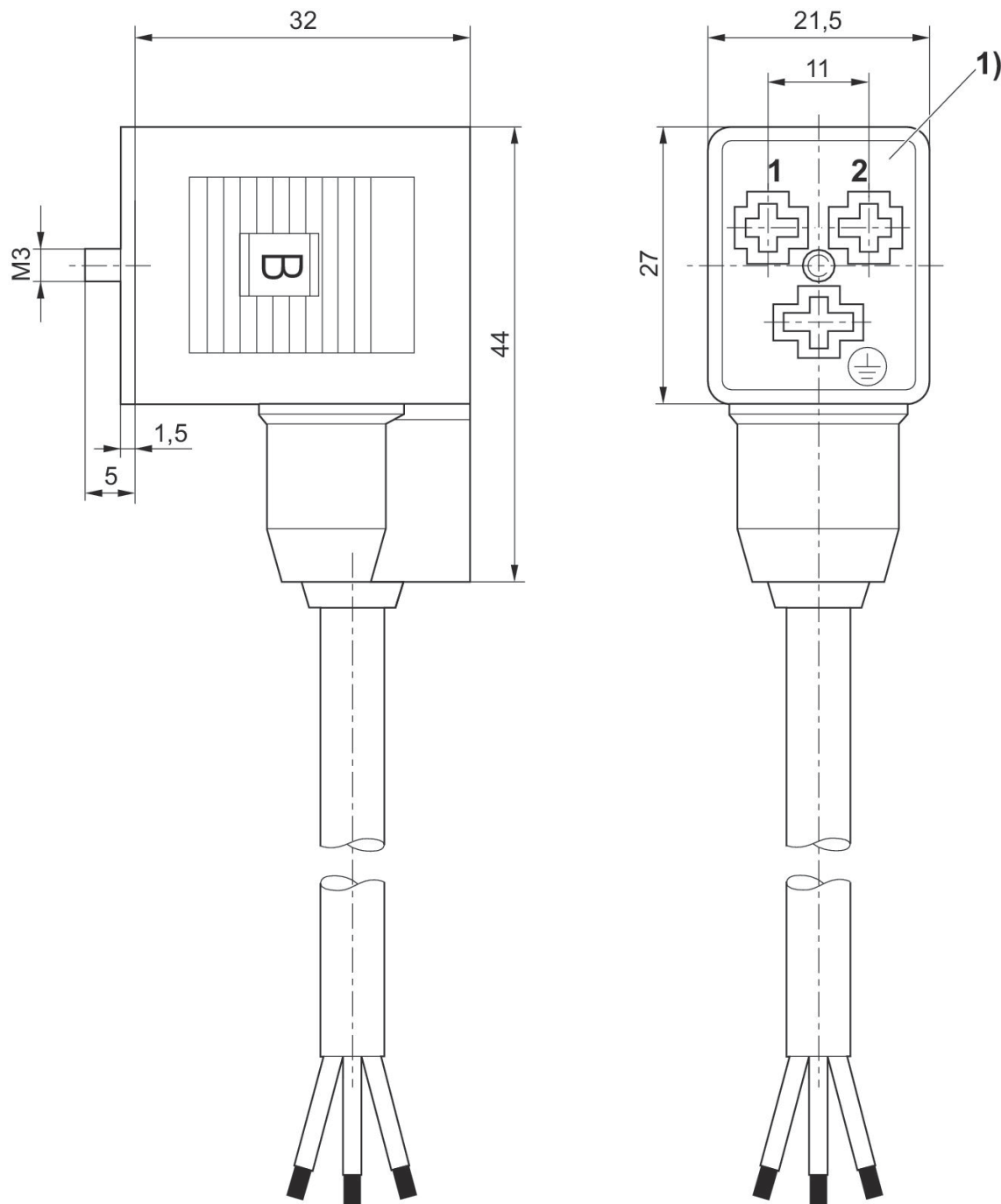
Valve plug connector with cable series CON-VP, Form B industry, 0° female insert

Electrical connection 1: Socket ... Form B, industry ... 2+E
Electrical connection 2: open cable ends ... 3-pin
Ambient temperature min./max.: -20 °C ... 80 °C



Max. current [A]	Contact assignment	Cable-Ø [mm]	Cable length [m]	Part No.
4	2+E	5.9	3	8946201912

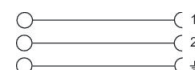
Dimensions



1) 0° female insert

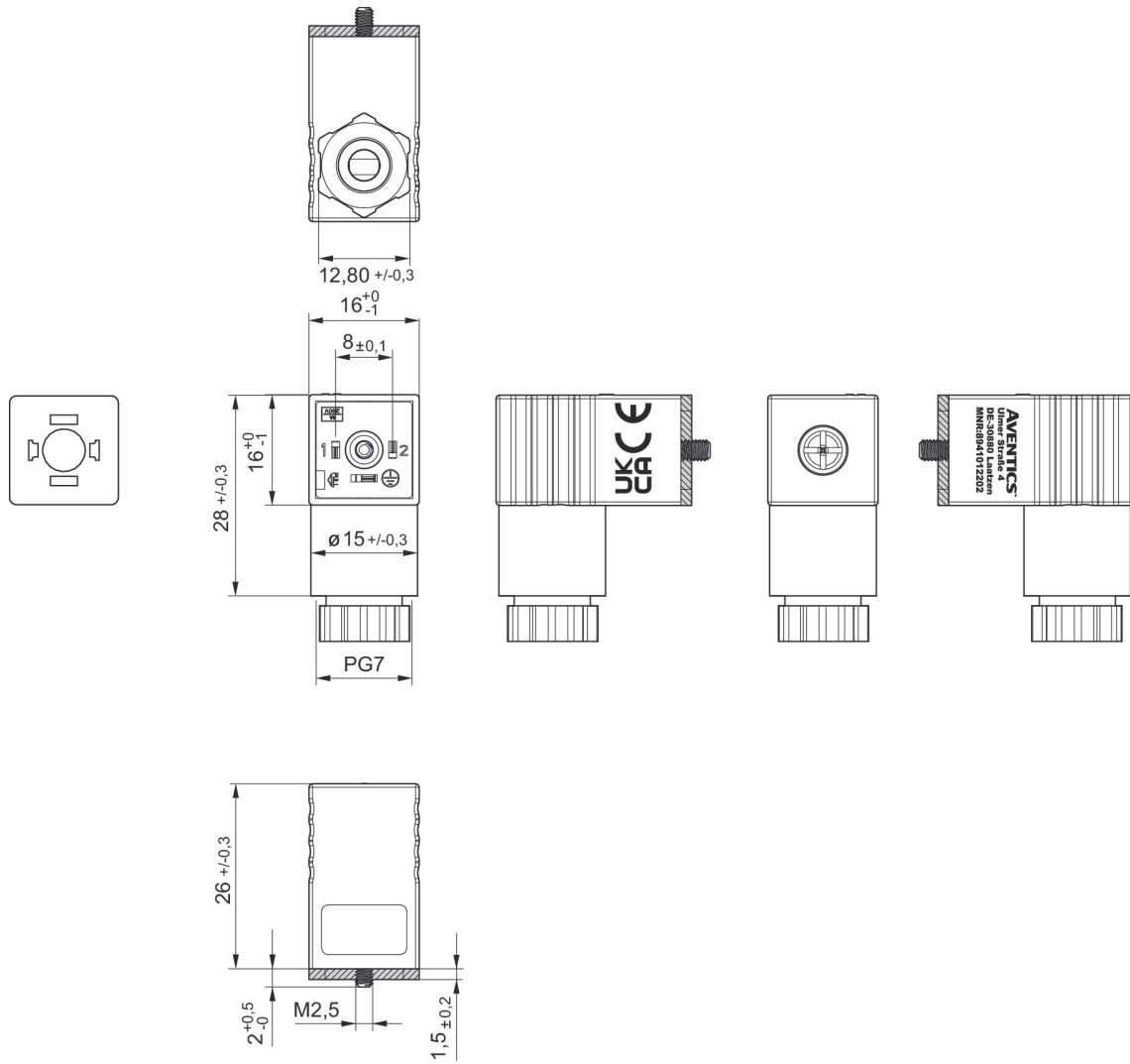
Valve plug connector, series CON-VP, form C, 300 V DC / 250 V AC

Electrical connection 1: EN 175301-803, form C
Ambient temperature min./max.: -40 °C ... 90 °C



	Operational voltage	Protective circuit	Max. current [A]	Contact assignment	LED status display	min. suitable cable Ø [mm]	max. suitable cable Ø [mm]	Part No.
	300 V DC / 250 V AC		6	2+E		4	6	8941012202
	24 V AC/DC	Varistor	1.5	2+E	Green	4	6	4402050330

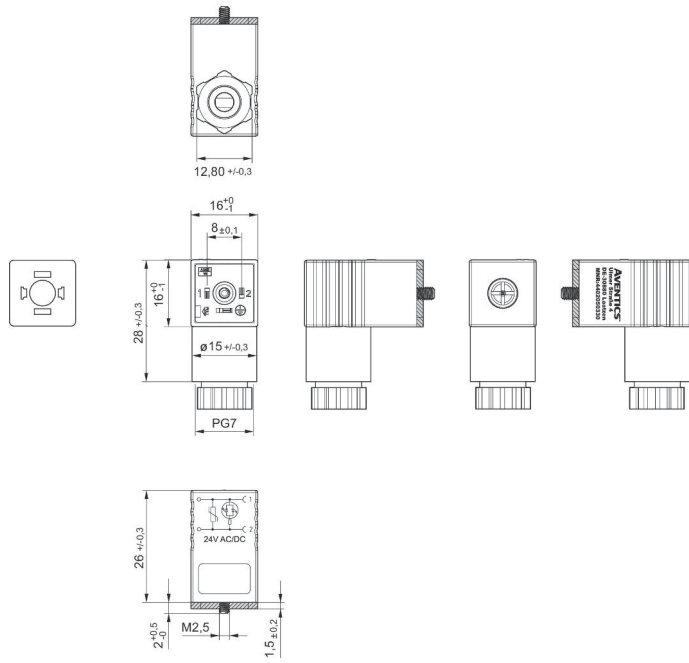
Dimensions



Profile seal

4402050330

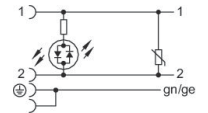
Dimensions



Profile seal

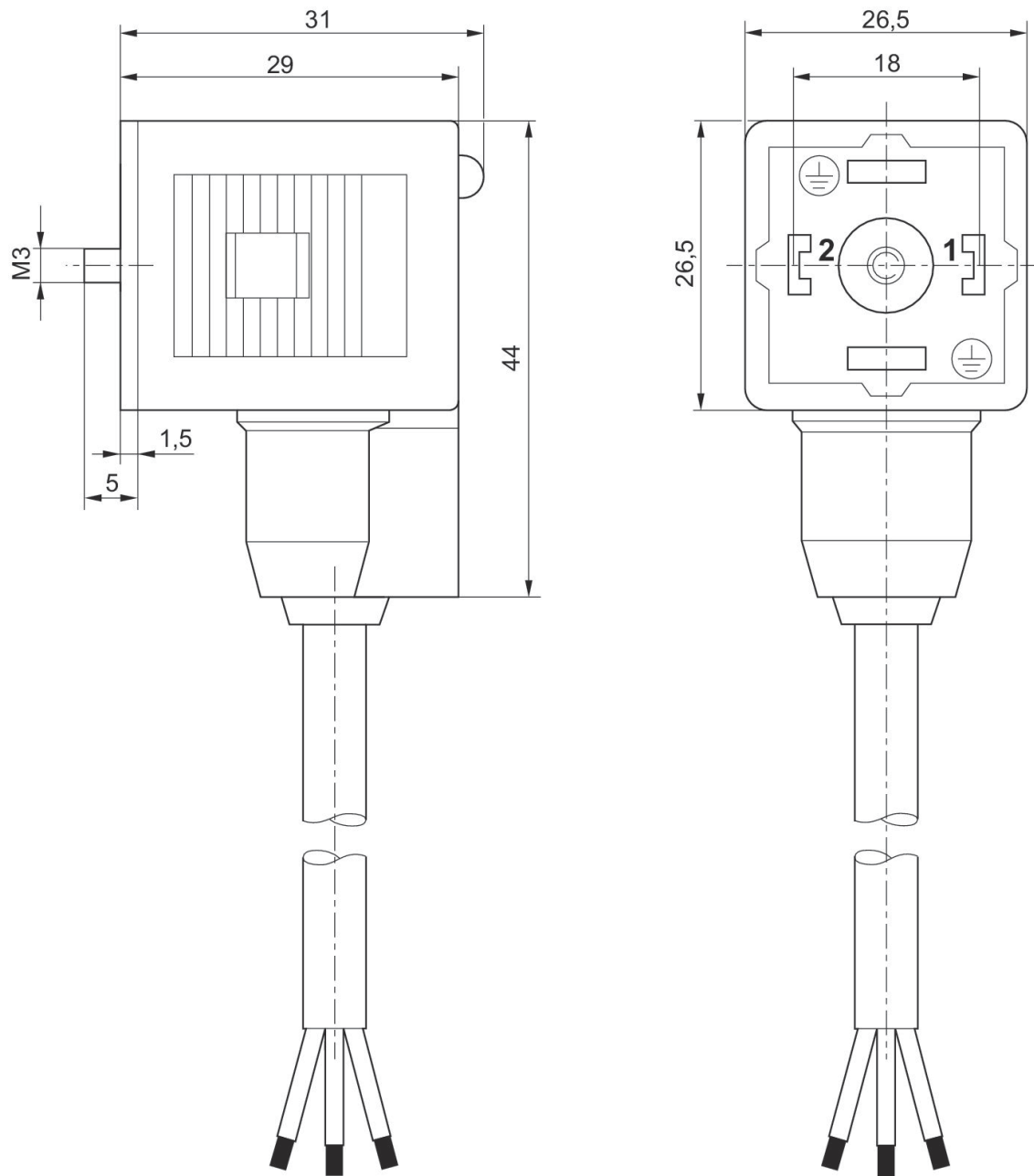
Valve plug connector with cable series CON-VP, Form A

Electrical connection 1: Socket ... form A ... 2+E ... angled
 Electrical connection 2: open cable ends ... 3-pin
 Shielding: unshielded
 Protective circuit: Varistor
 Ambient temperature min./max.: -20 °C ... 80 °C



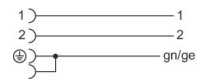
Operational voltage	Protective circuit	Contact assignment	LED status display	Cable-Ø [mm]	Cable length [m]	Part No.
24 V AC/DC	Z-diode	2+E	Yellow	5.9	3	1834484162
24 V AC/DC	Z-diode	2+E	Yellow	5.9	5	1834484163
230 V AC/DC	Varistor	2+E	Red	5.9	3	1834484164
230 V AC/DC	Varistor	2+E	Red	5.9	5	1834484165

Dimensions



Valve plug connector with cable series CON-VP, Form A

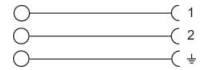
Electrical connection 1: Socket ... form A ... 2+E ... angled
Electrical connection 2: open cable ends ... 3-pin
Shielding: unshielded
Ambient temperature min./max.: -20 °C ... 80 °C



Operational voltage	Contact assignment	Cable-Ø [mm]	Cable length [m]	Part No.
230 V AC/DC	2+E	5.9	3	1834484160

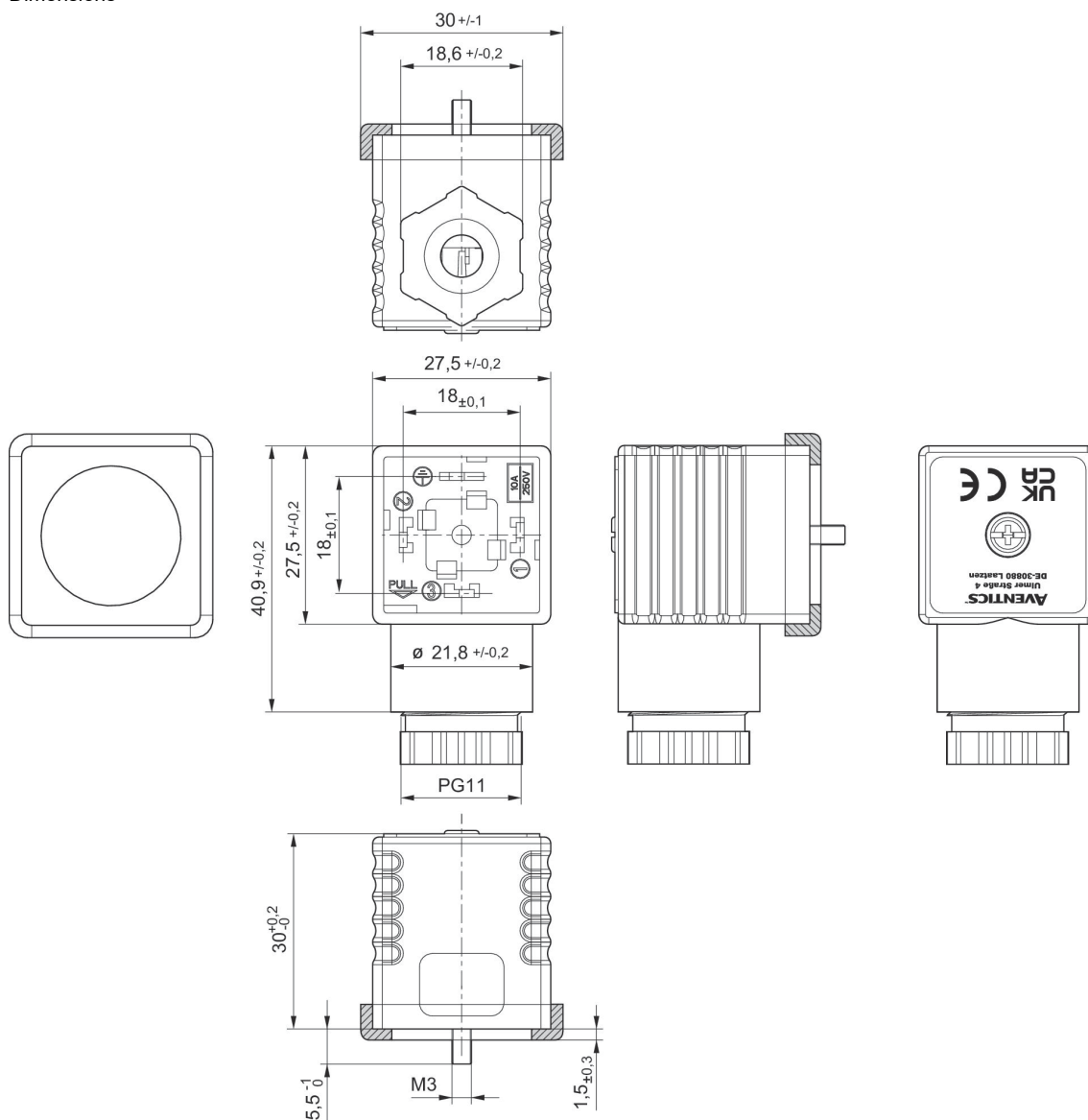
Valve plug connector, series CON-VP, Form A, 300 V DC / 250 V AC, 2-pin

Electrical connection 1: EN 175301-803, form A
Ambient temperature min./max.: -40 °C ... 90 °C



Operational voltage	Max. current [A]	Contact assignment	min. suitable cable Ø [mm]	max. suitable cable Ø [mm]	Part No.
300 V DC / 250 V AC	10	2+E	4	9.5	1834484048

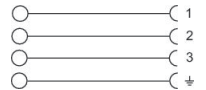
Dimensions



Profile seal

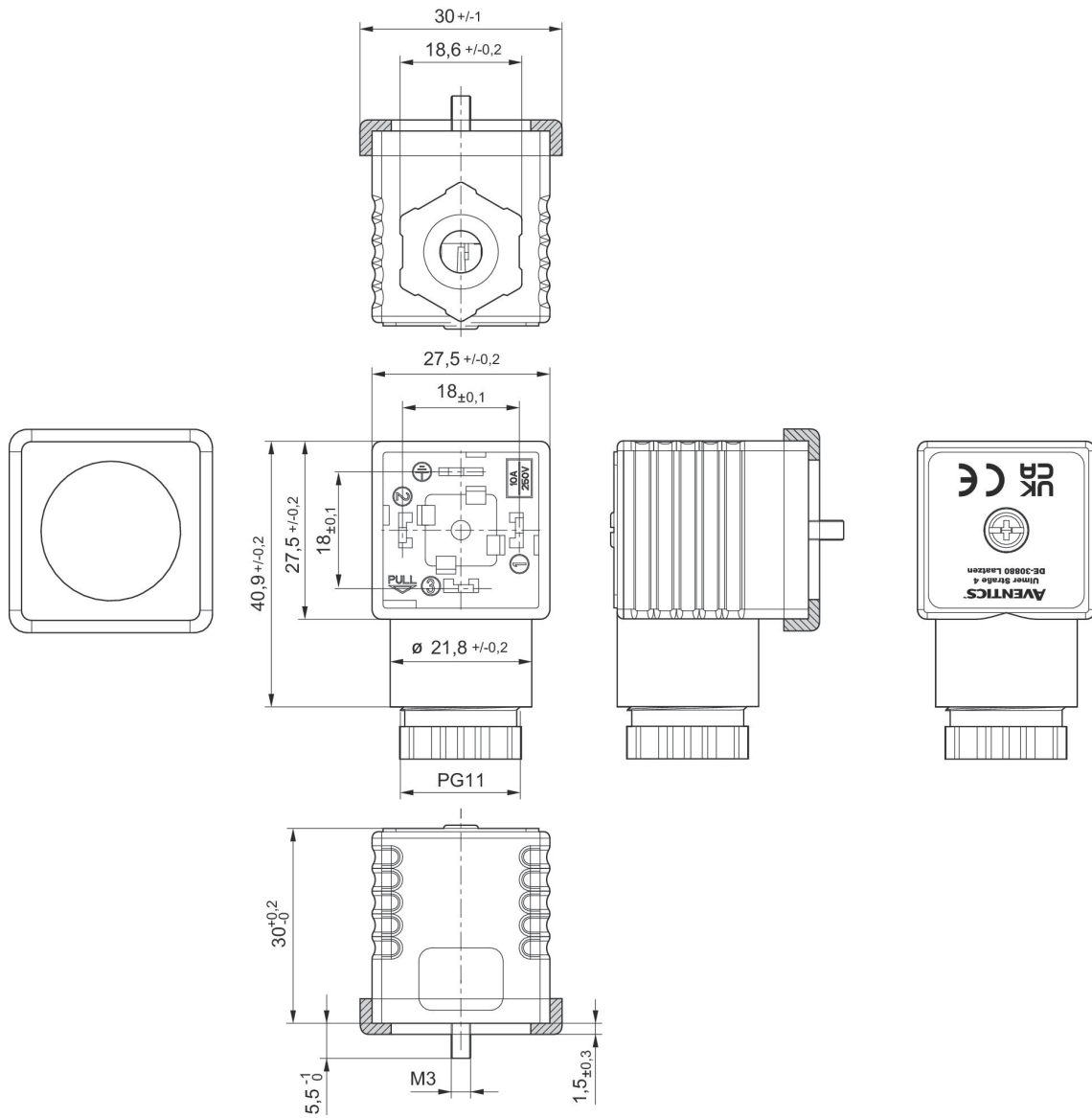
Valve plug connector, series CON-VP, Form A, 300 V DC / 250 V AC, 3-pin

Electrical connection 1: EN 175301-803, form A
Ambient temperature min./max.: -40 °C ... 90 °C



Operational voltage	Max. current [A]	Contact assignment	min. suitable cable Ø [mm]	max. suitable cable Ø [mm]	Part No.
300 V DC / 250 V AC	10	3+E	4	9.5	1834484059

Dimensions



Profile seal

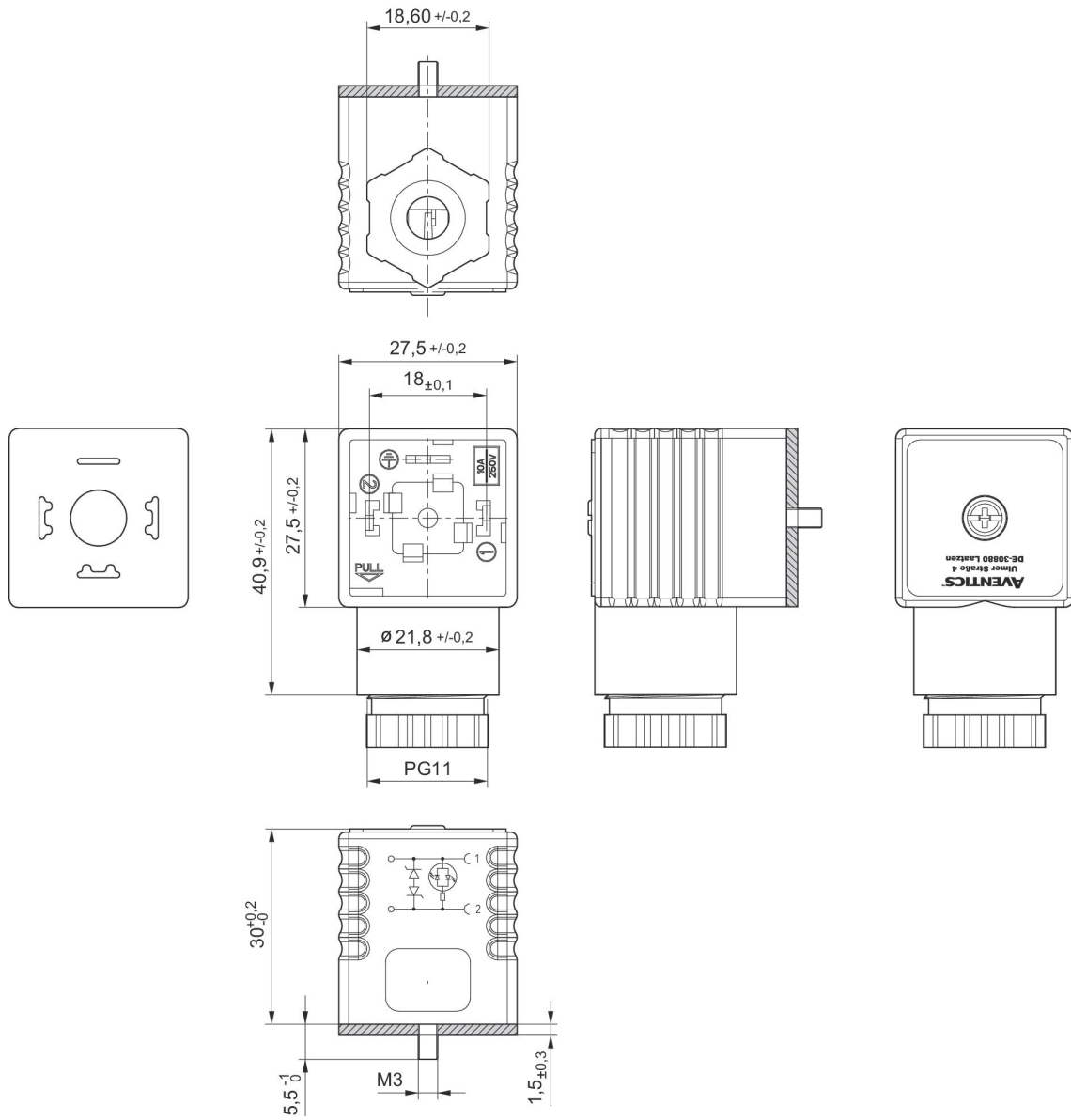
Valve plug connector, series CON-VP, form A, 115/230 V AC/DC

Electrical connection 1: EN 175301-803, form A
Ambient temperature min./max.: -40 °C ... 90 °C



	Operational voltage	Protective circuit	Contact assignment	LED status display	min. suitable cable Ø [mm]	max. suitable cable Ø [mm]	Part No.
	115 V AC/DC	Varistor	2+E	Red	6.5	9.5	1834484102
	230 V AC/DC	Varistor	2+E	Red	6.5	9.5	1834484103

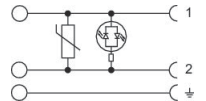
Dimensions



Profile seal

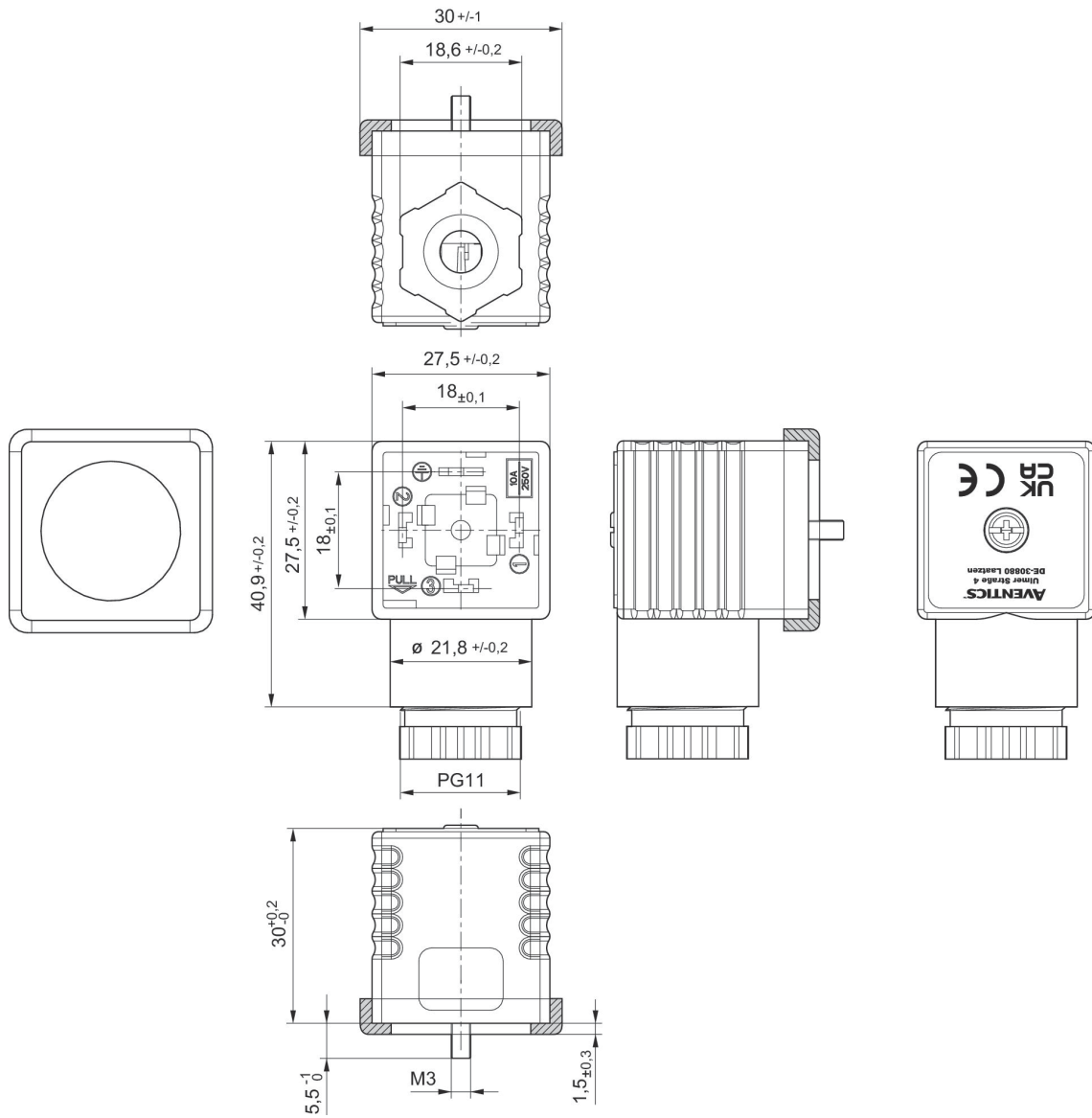
Valve plug connector, series CON-VP, Form A, 230 V AC/DC, Profile seal

Electrical connection 1: EN 175301-803, form A
Ambient temperature min./max.: -40 °C ... 90 °C



Operational voltage	Protective circuit	Contact assignment	LED status display	min. suitable cable Ø [mm]	max. suitable cable Ø [mm]	Part No.
230 V AC/DC	Varistor	2+E	Green	6.5	9.5	8941016112

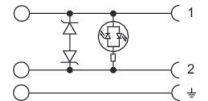
Dimensions



Profile seal

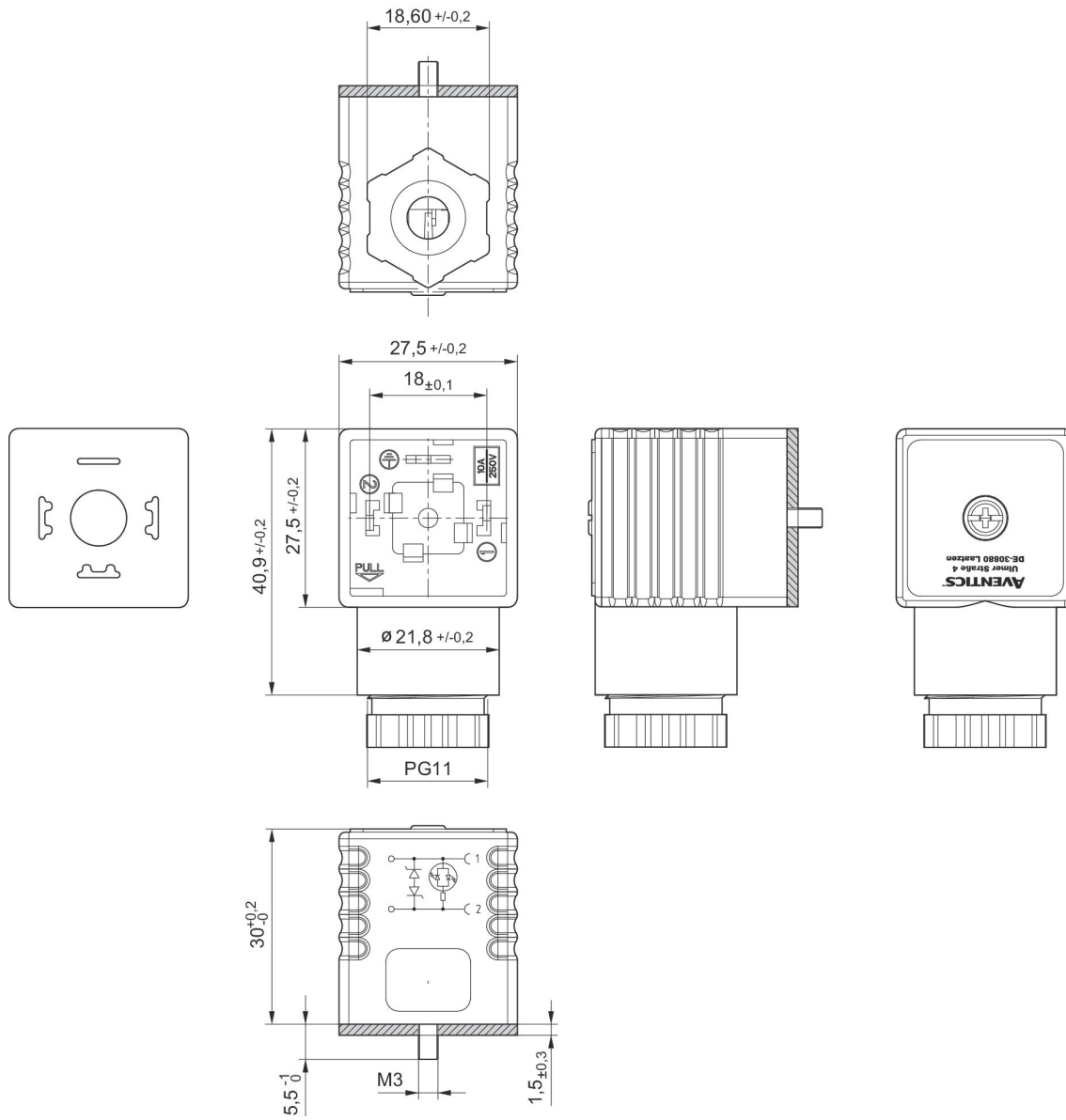
Valve plug connector, series CON-VP, Form A, 24 V AC/DC, Flat gasket

Electrical connection 1: EN 175301-803, form A
Ambient temperature min./max.: -40 °C ... 90 °C



Operational voltage	Protective circuit	Max. current [A]	Contact assignment	LED status display	min. suitable cable Ø [mm]	max. suitable cable Ø [mm]	Part No.
24 V AC/DC	2 Z-diodes	1.5	2+E	Yellow	4	9.5	1834484101

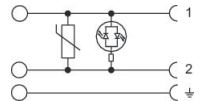
Dimensions



Profile seal

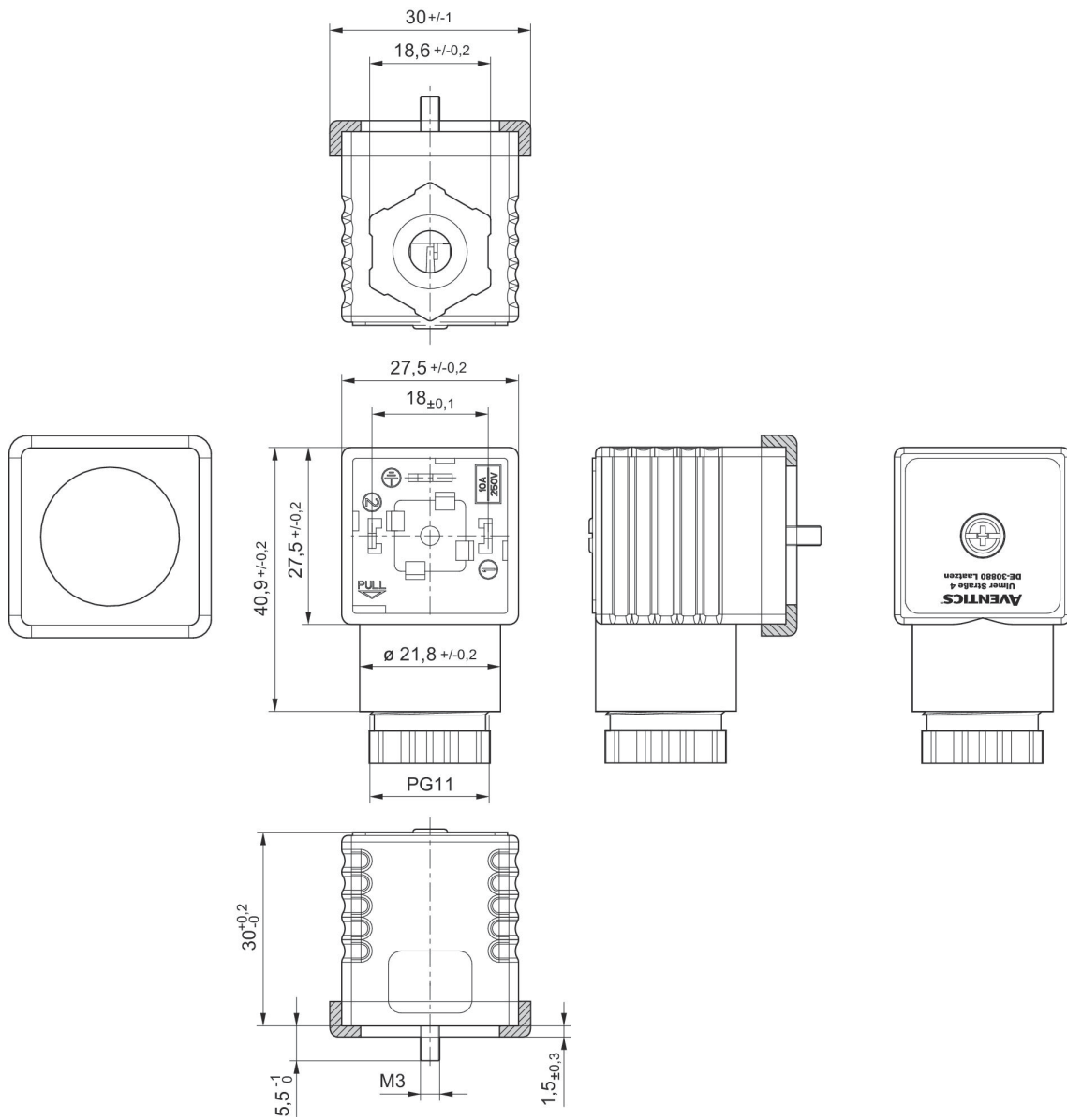
Valve plug connector, series CON-VP, Form A, 24 V AC/DC, Profile seal

Electrical connection 1: EN 175301-803, form A
Ambient temperature min./max.: -40 °C ... 90 °C



Operational voltage	Protective circuit	Max. current [A]	Contact assignment	LED status display	min. suitable cable Ø [mm]	max. suitable cable Ø [mm]	Part No.
24 V AC/DC	Varistor	1.5	2+E	Green	4	9.5	8941016102

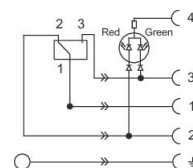
Dimensions



Profile seal

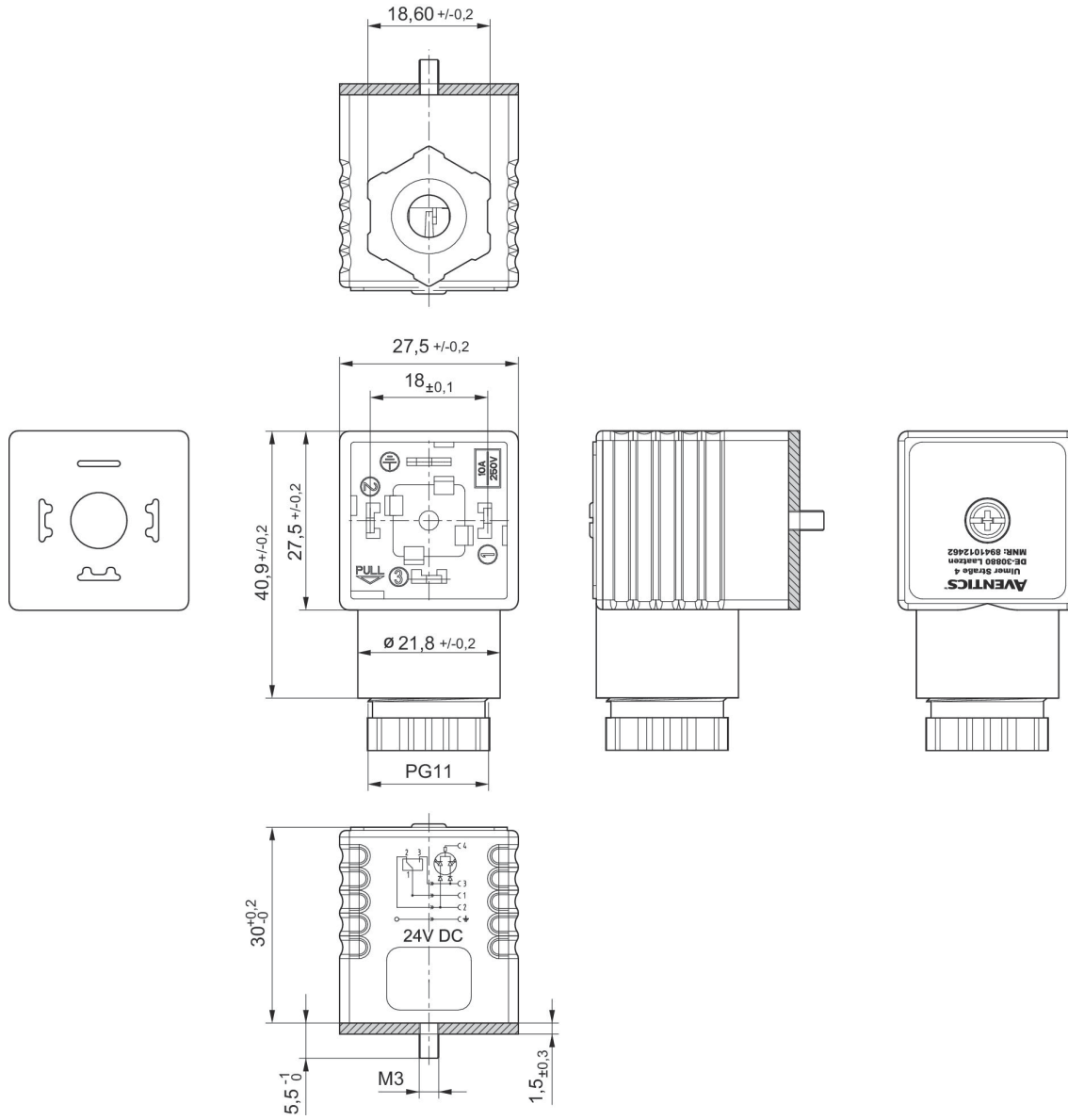
Valve plug connector, series CON-VP, Form A, 24 V DC

Electrical connection 1: EN 175301-803, form A
Ambient temperature min./max.: -40 °C ... 90 °C



Operational voltage	Protective circuit	Max. current [A]	Contact assignment	LED status display	min. suitable cable Ø [mm]	max. suitable cable Ø [mm]	Part No.
24 V DC	2 diodes (1 A)	1	3+E	green/red	4	9.5	8941012462

Dimensions

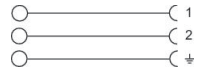


Profile seal

Valve plug connector, series CON-VP, Form B, industry, 300 V DC / 250 V AC

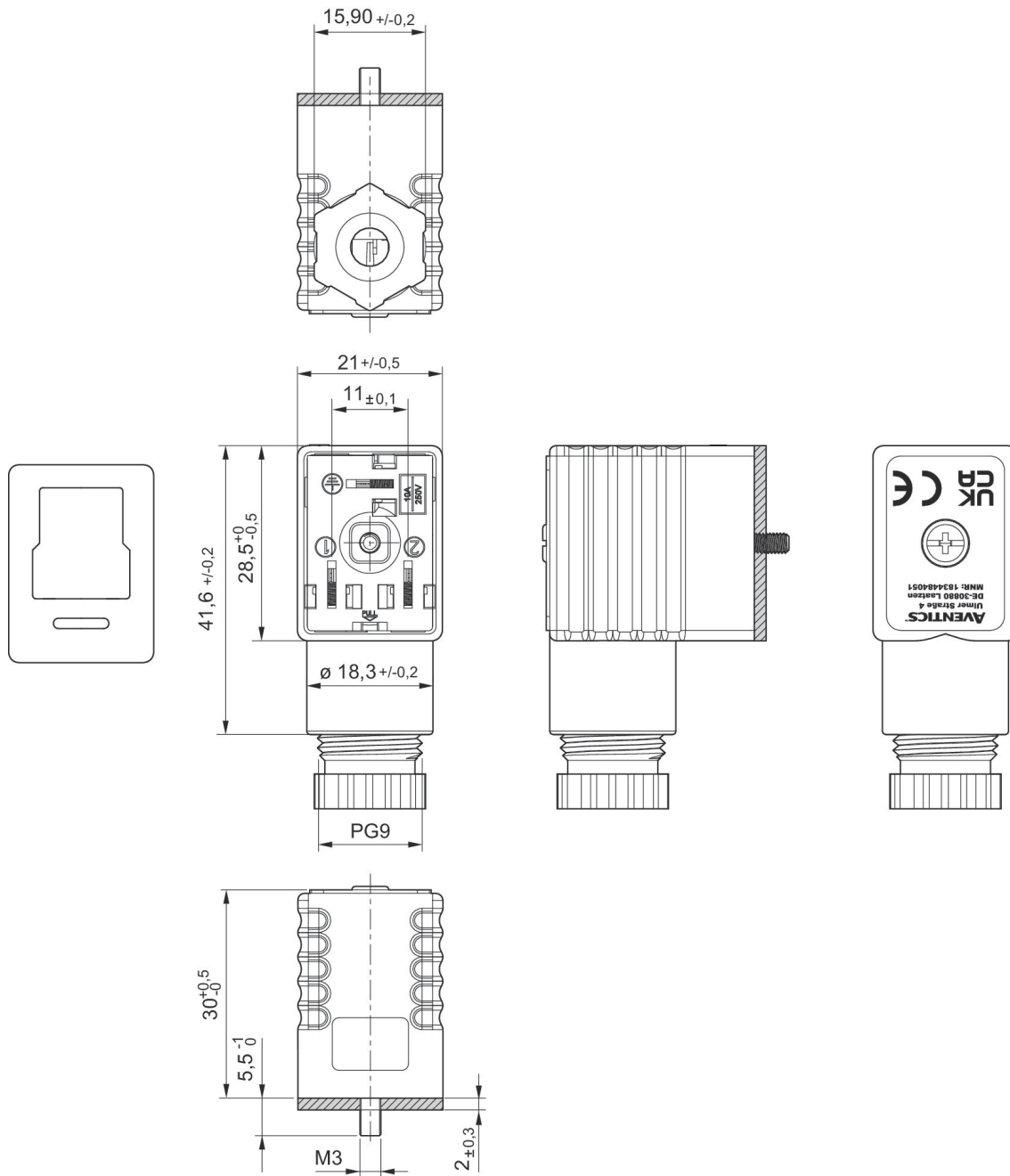
Electrical connection 1: Form B, industry

Ambient temperature min./max.: -40 °C ... 90 °C



Operational voltage	Max. current [A]	Contact assignment	min. suitable cable Ø [mm]	max. suitable cable Ø [mm]	Part No.
300 V DC / 250 V AC	10	2+E	4	8	1834484051

Dimensions



Profile seal

Valve plug connector, series CON-VP, Form B, industry, 115/230 V AC/DC

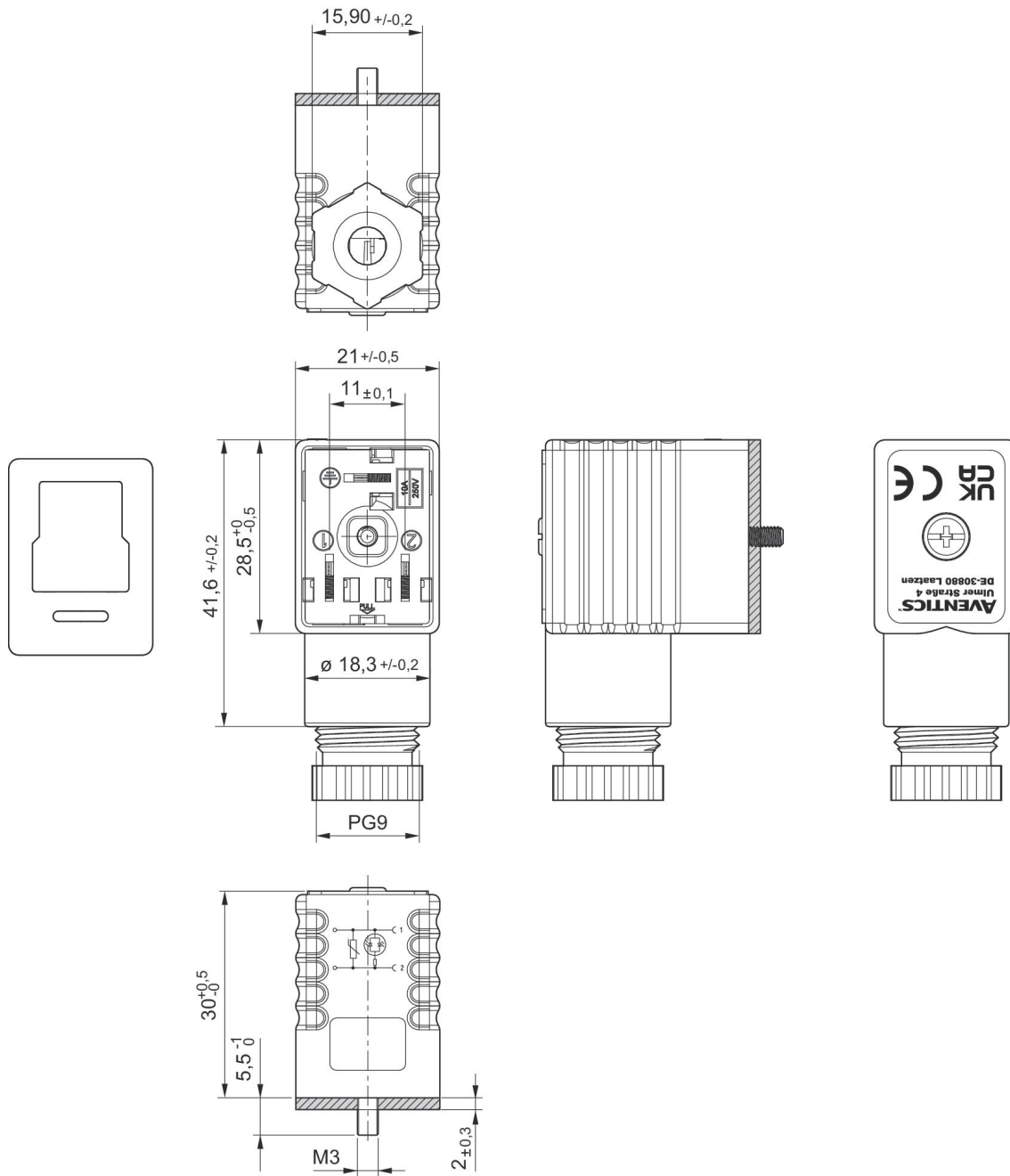
Electrical connection 1: Form B, industry

Ambient temperature min./max.: -40 °C ... 90 °C



	Operational voltage	Protective circuit	Max. current [A]	Contact assignment	LED status display	min. suitable cable Ø [mm]	max. suitable cable Ø [mm]	Part No.
	115 V AC/DC	Varistor	1.5	2+E	Red	4	8	1834484108
	230 V AC/DC	Varistor	1.5	2+E	Red	4	8	1834484109

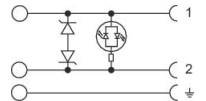
Dimensions



Profile seal

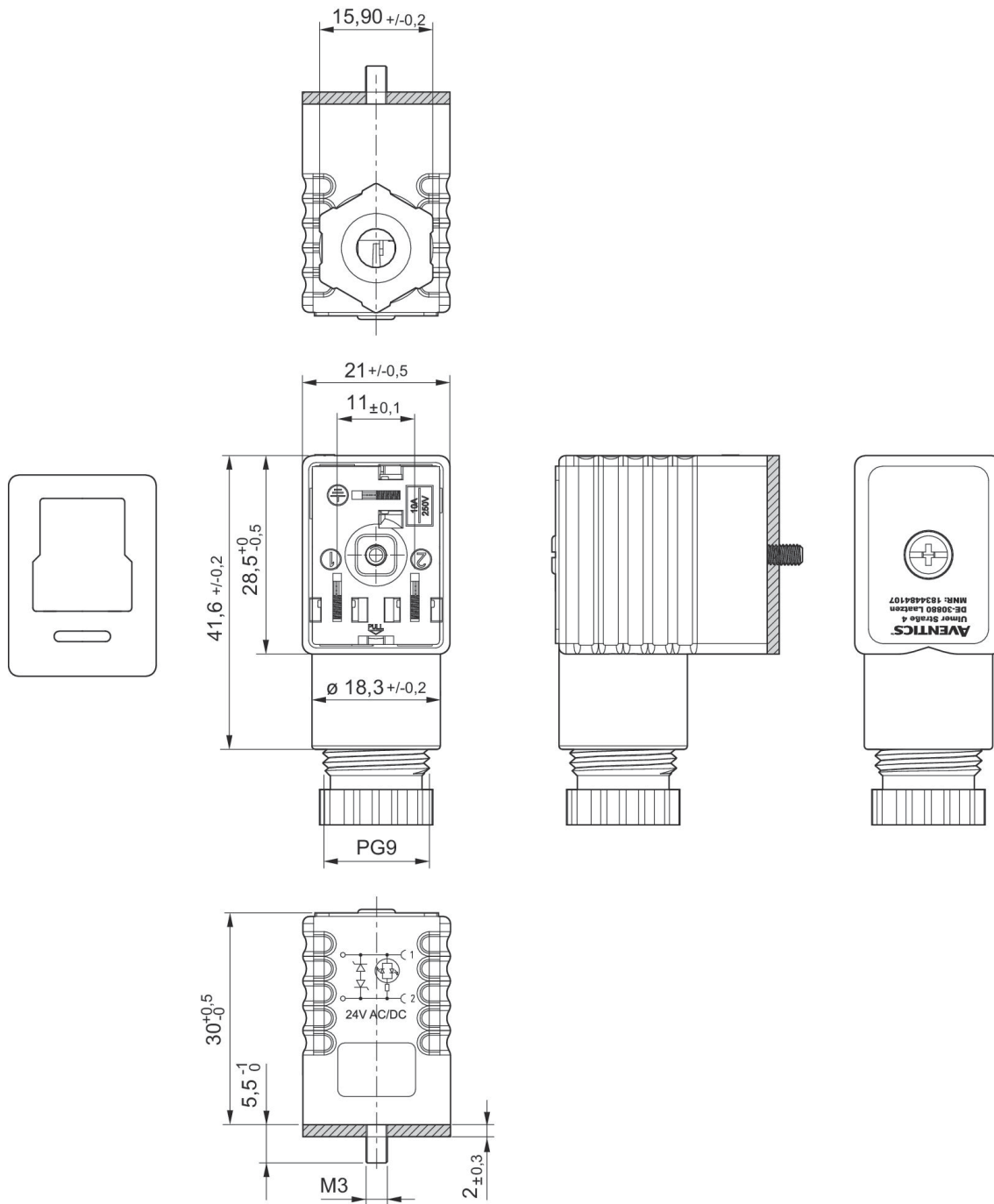
Valve plug connector, series CON-VP, Form B, industry, 24 V AC/DC

Electrical connection 1: Form B, industry
Ambient temperature min./max.: -40 °C ... 90 °C



Operational voltage	Protective circuit	Max. current [A]	Contact assignment	LED status display	min. suitable cable Ø [mm]	max. suitable cable Ø [mm]	Part No.
24 V AC/DC	2 Z-diodes	1.5	2+E	Yellow	4	8	1834484107

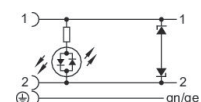
Dimensions



Profile seal

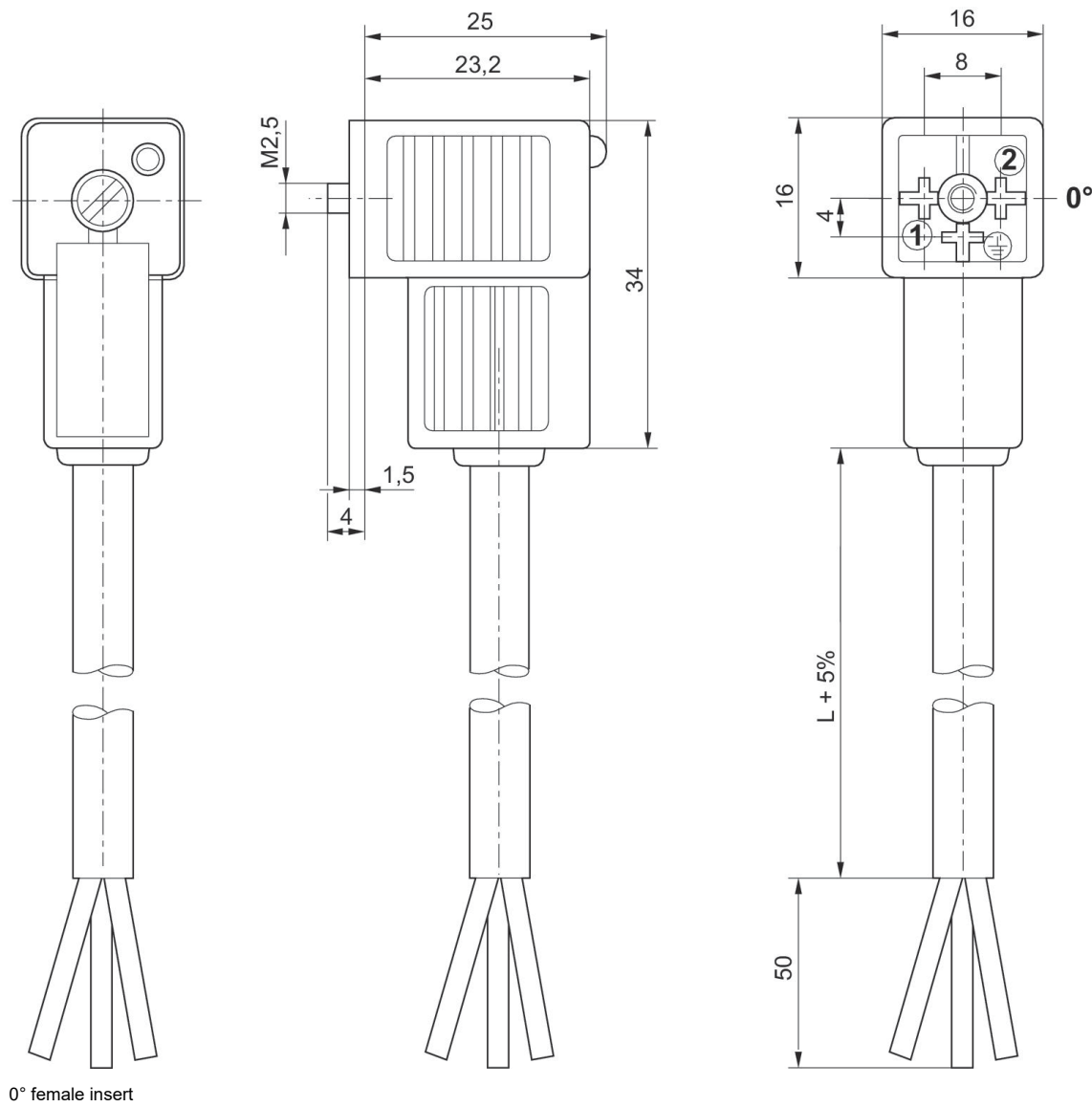
Valve plug connector, series CON-VP, 0° female insert

Electrical connection 1: Socket ... form C ... 2+E
 Electrical connection 2: open cable ends ... 3-pin
 Protective circuit: Z-diode
 Ambient temperature min./max.: -20 °C ... 80 °C



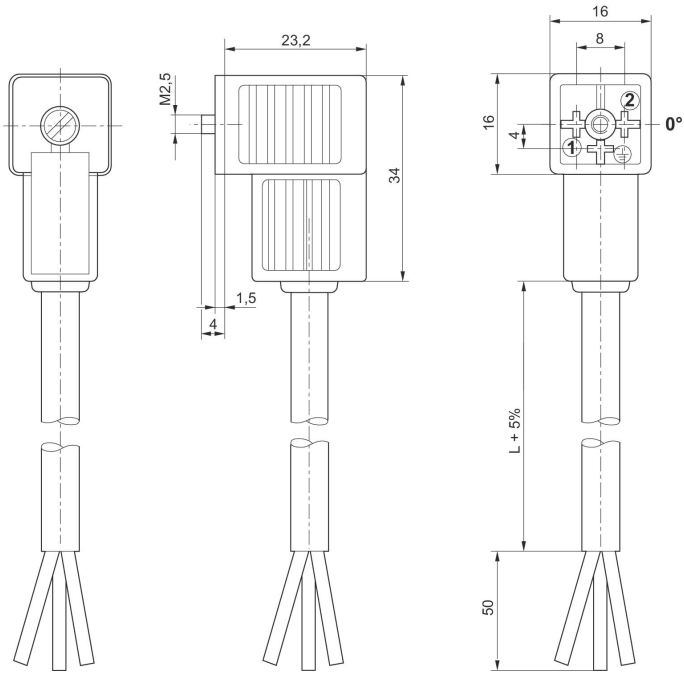
	Operational voltage	Protective circuit	Max. current [A]	Contact assignment	LED status display	Cable-Ø [mm]	Cable length [m]	Part No.
	230 V AC/DC		6	2+E		5.9	3	1834484212
	230 V AC/DC		6	2+E		5.9	5	1834484214
	24 V AC/DC	Z-diode	6	2+E	Yellow	5.9	3	1834484204
	24 V AC/DC	Z-diode	6	2+E	Yellow	5.9	5	1834484206
	230 V AC/DC	Varistor	6	2+E	Yellow	5.9	3	1834484208
	230 V AC/DC	Varistor	6	2+E	Yellow	5.9	5	1834484210

Dimensions



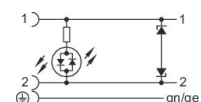
1834484212, 1834484214

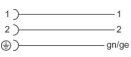

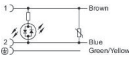
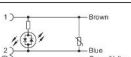
Dimensions



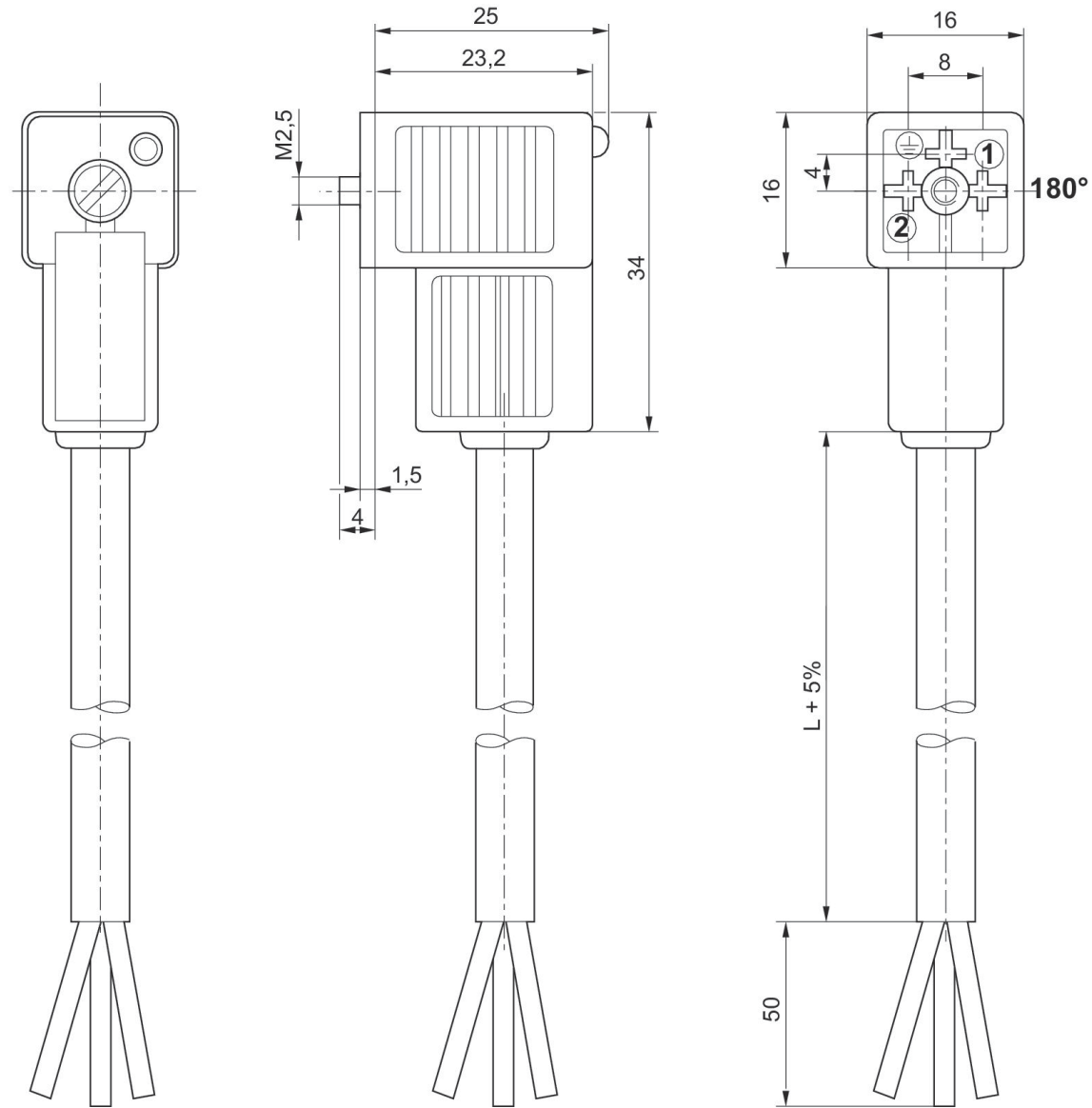
Valve plug connector with cable series CON-VP,, 180° female insert

Electrical connection 1: Socket ... form C ... 2+E
 Electrical connection 2: open cable ends ... 3-pin
 Protective circuit: Z-diode
 Ambient temperature min./max.: -20 °C ... 80 °C



	Operational voltage	Protective circuit	Max. current [A]	Contact assignment	LED status display	Cable-Ø [mm]	Cable length [m]	Part No.
	230 V AC/DC		6	2+E		5.9	3	1834484213
	230 V AC/DC		6	2+E		5.9	5	1834484215
	24 V AC/DC	Z-diode	6	2+E	Yellow	5.9	3	1834484205
	24 V AC/DC	Z-diode	6	2+E	Yellow	5.9	5	1834484207
	230 V AC/DC	Varistor	6	2+E	Yellow	5.9	3	1834484209
	230 V AC/DC	Varistor	6	2+E	Yellow	5.9	5	1834484211
	24 V AC/DC	Z-diode	6	2+E	Yellow	5.9	10	1834484236

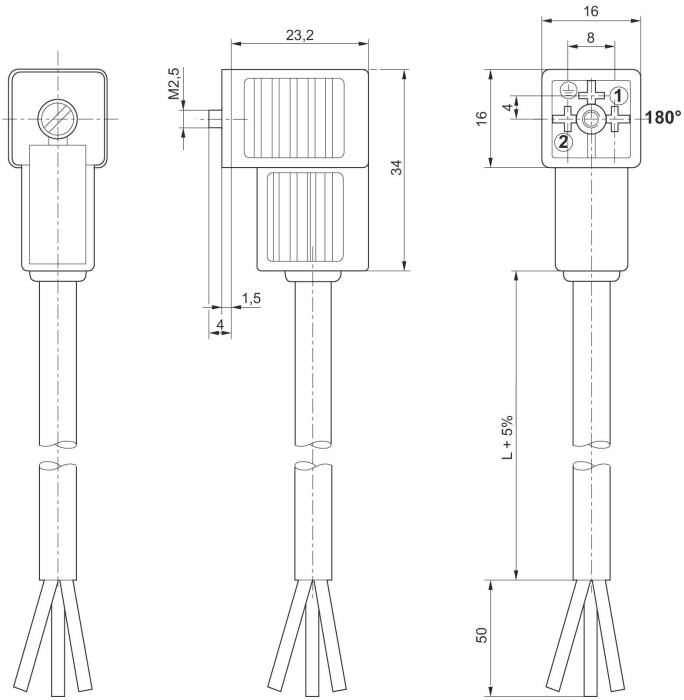
Dimensions



180° female insert

1834484213, 1834484215

Dimensions



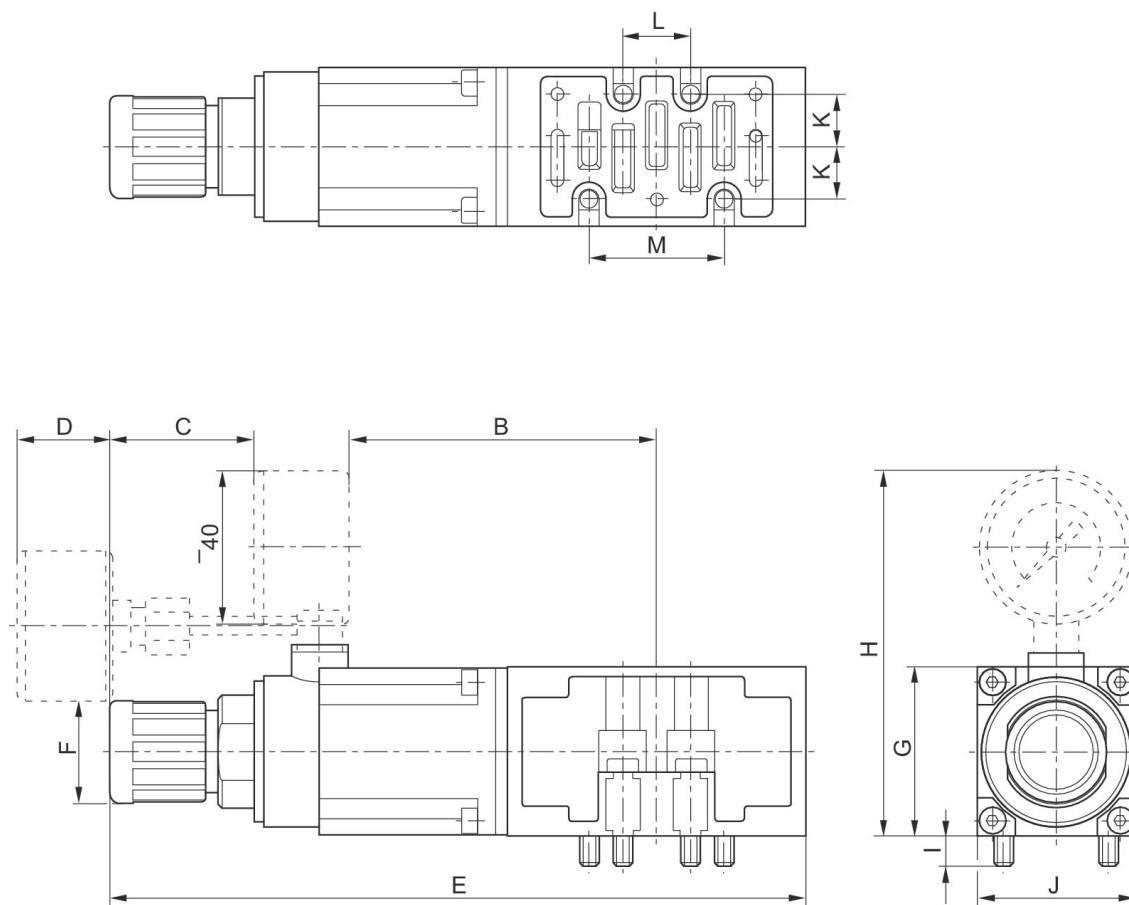
Pressure regulator for vertical stacking, Controlled connection 1/2/4

Ambient temperature min./max.: 5 °C ... 50 °C
Working pressure min./max.: 16 bar



	Con- trolled port	Min. regula- tion range [bar]	Max. regula- tion range [bar]	Fig.	Part No.
	1	0.5	12	Fig. 1	0821302048
	1	0.5	12	Fig. 1	0821302060
	2	0.5	12	Fig. 1	0821302054
	2	0.5	12	Fig. 1	0821302062
	4	0.5	12	Fig. 1	0821302057
	4	0.5	12	Fig. 1	0821302063

Dimensions



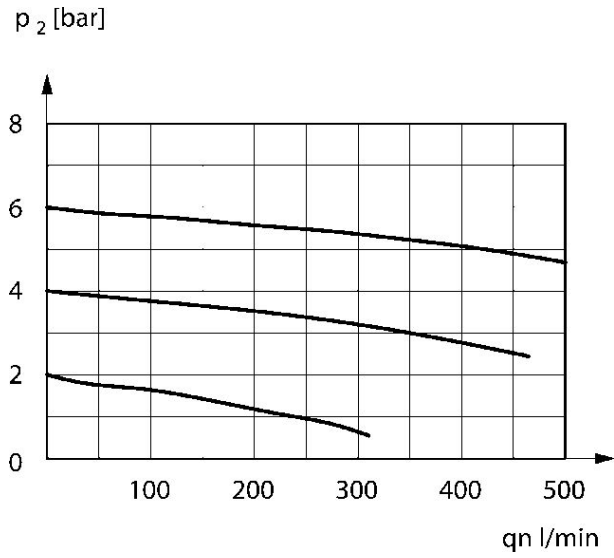
Part No.	B±5	C±5	D±5	E±7	Ø F	G±5	H±5	I±2.5	J±5
0821302048	82	38,6	—	186	27	45	97,5	8	42.5
0821302060	—	—	25	186	27	45	97,5	8	42.5
0821302054	82	38,5	—	199	27	45	97,5	8	42.5
0821302062	—	—	25	199	27	45	97,5	8	42.5

Part No.	K±2.5	L±2.5	M±5
0821302048	14	18	36
0821302060	14	18	36
0821302054	14	18	36
0821302062	14	18	36

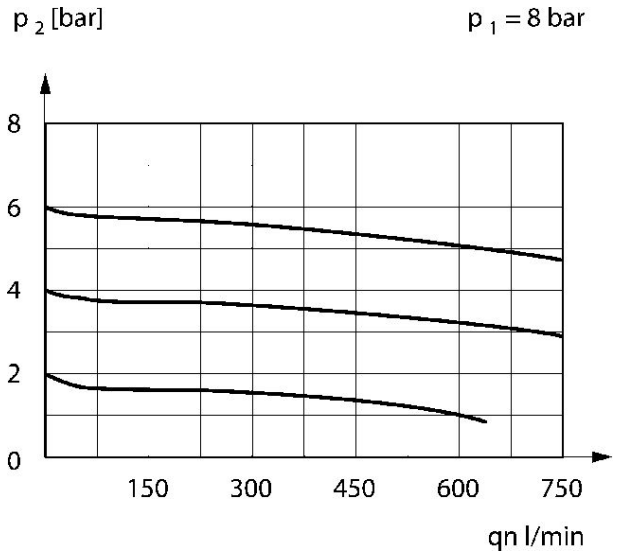
Part No.	B±5	C±5	D±5	E±7	Ø F	G±5	H±5	I±2.5	J±5
0821302051	164	38,6	—	292	27	45	96,5	8	42.5
0821302061	—	—	25	292	27	45	—	8	42.5

Part No.	K±2.5	L±2.5	M±5
0821302051	14	18	36
0821302061	14	18	36

Flow rate characteristic, $p_2 = 0,05 - 7 \text{ bar}$



controlled connection 1
Controlled connection 2
Controlled connection 4



Controlled connection 2/4

Pressure regulator for vertical stacking, Controlled connection 2/4

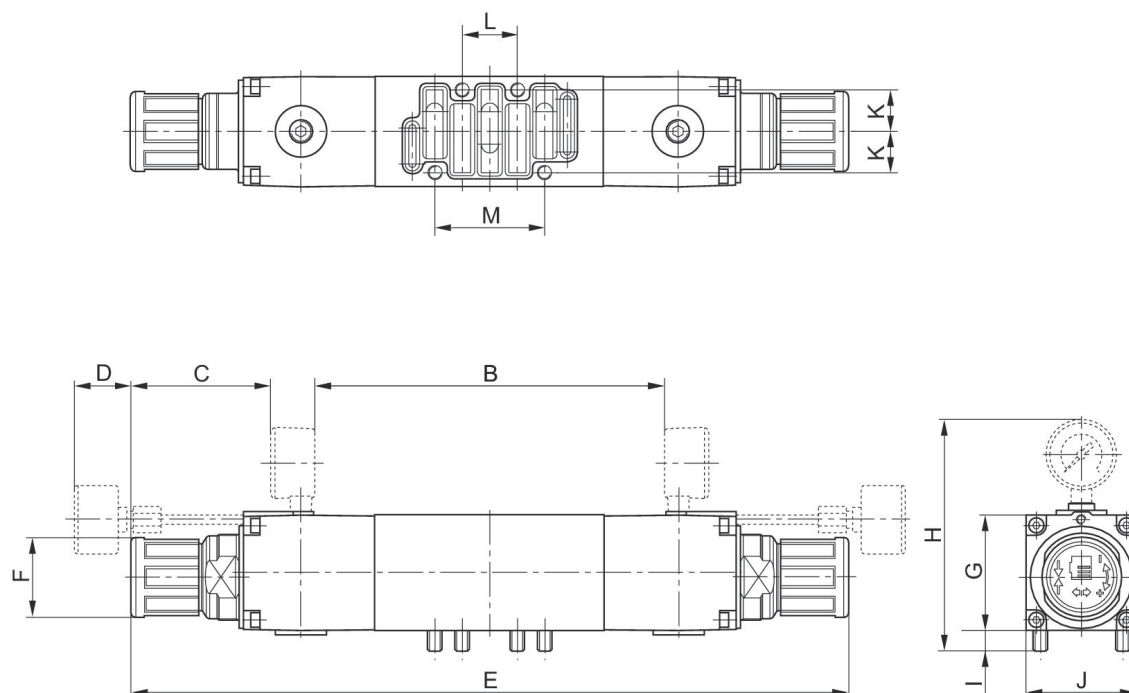
Ambient temperature min./max.: 5 °C ... 50 °C

Working pressure min./max.: 16 bar



	Con- trolled port	Min. regula- tion range [bar]	Max. regula- tion range [bar]	Fig.	Part No.
	2, 4	0.5	12	Fig. 2	0821302051
	2, 4	0.5	12	Fig. 2	0821302061

Dimensions



Part No.	B±5	C±5	D±5	E±7	Ø F	G±5	H±5	I±2.5	J±5
0821302051	164	38,6	—	292	27	45	96,5	8	42.5
0821302061	—	—	25	292	27	45	—	8	42.5

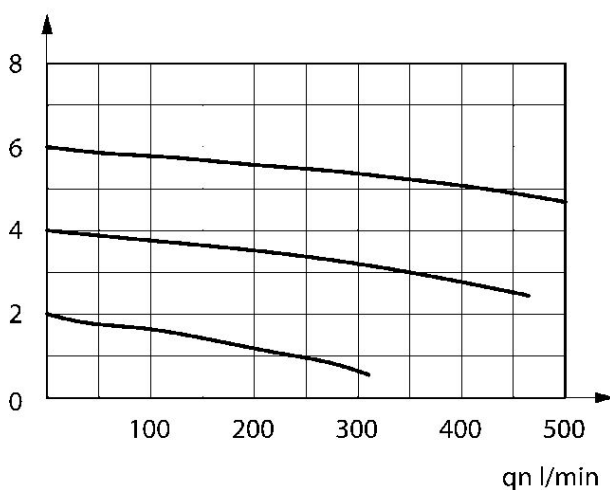
Part No.	K±2.5	L±2.5	M±5
0821302051	14	18	36
0821302061	14	18	36

Part No.	B±5	C±5	D±5	E±7	Ø F	G±5	H±5	I±2.5	J±5
0821302048	82	38,6	—	186	27	45	97,5	8	42.5
0821302060	—	—	25	186	27	45	97,5	8	42.5
0821302054	82	38,5	—	199	27	45	97,5	8	42.5
0821302062	—	—	25	199	27	45	97,5	8	42.5

Part No.	K±2.5	L±2.5	M±5
0821302048	14	18	36
0821302060	14	18	36
0821302054	14	18	36
0821302062	14	18	36

Flow rate characteristic, $p_2 = 0,05 - 7$ bar

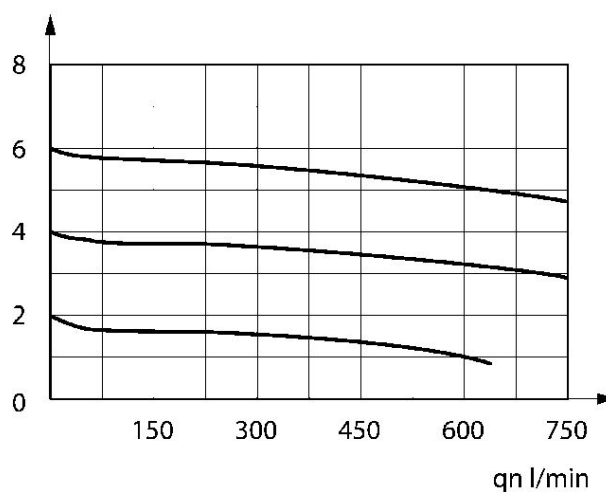
p_2 [bar]



controlled connection 1
Controlled connection 2
Controlled connection 4

p_2 [bar]

$p_1 = 8$ bar



Controlled connection 2/4

Accessories, for intermediate plates



Type	Type	Delivery unit [piece]	Part No.
Mounting screw	ISO 1	10	1827009767
O-ring, Ø 17 mm, 12x2,62	ISO 1	50	R412000918

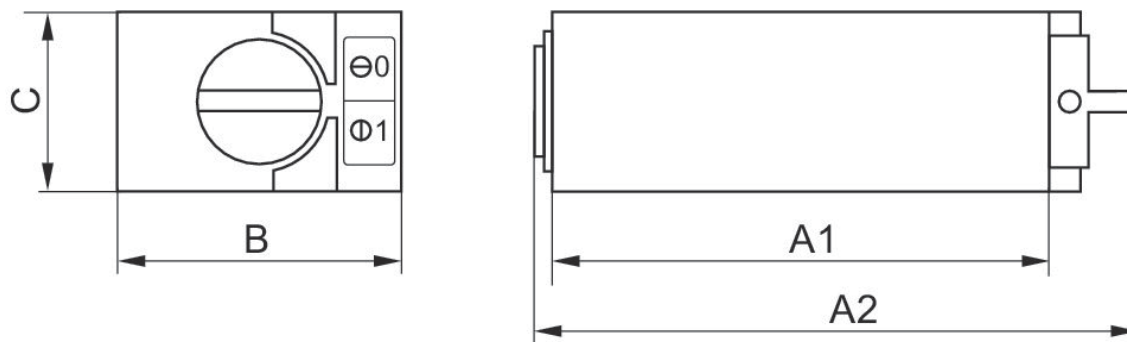
Maintenance plate to exchange valve

Ambient temperature min./max.: -10 °C ... 50 °C
Working pressure min./max.: -0.95 bar ... 10 bar



Weight [kg]	Material	Part No.
0.2	Aluminum	5801590000

Dimensions



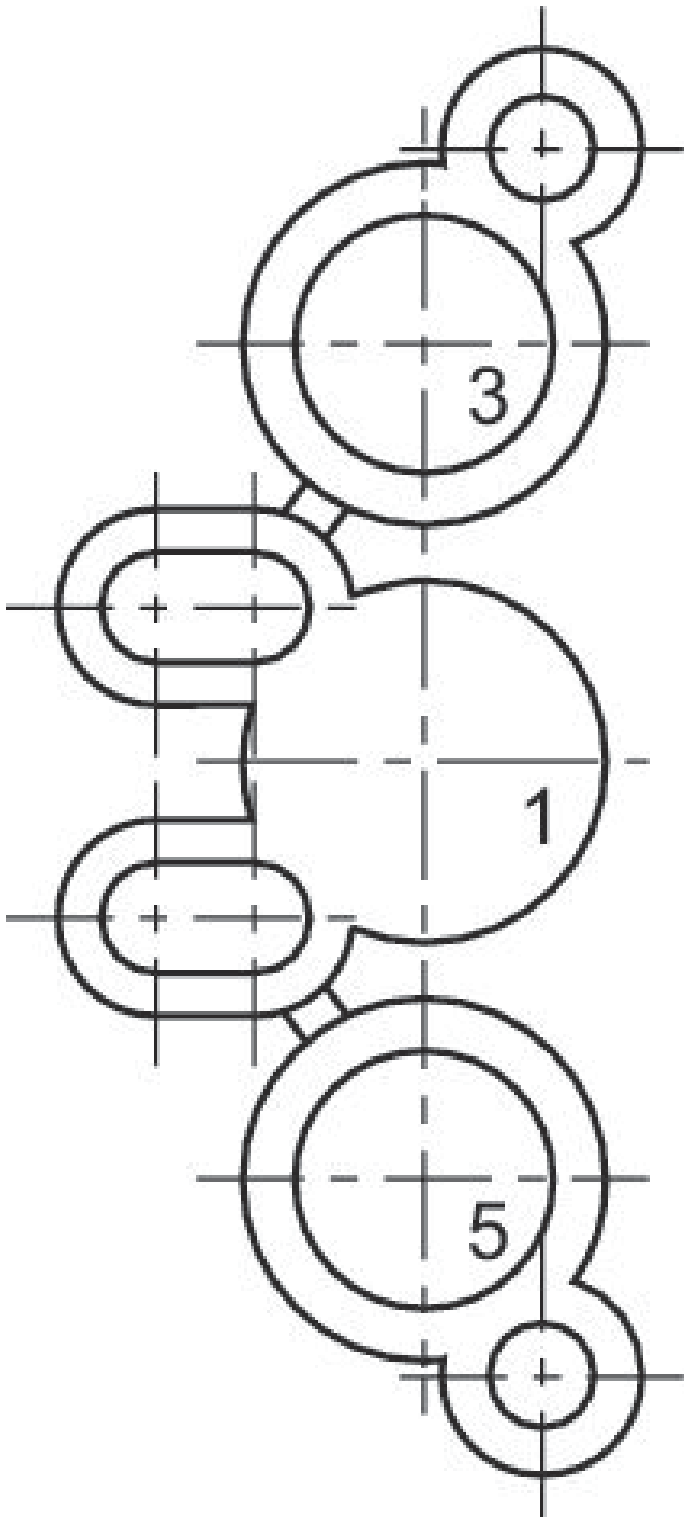
Part No.	A1	A2	B	C
5801590000	70	85	40	25

Seal for supply plate, separate channel 1, connect channels 5 and 3

Ambient temperature min./max.: -20 °C ... 70 °C



Type	Delivery unit [piece]	Weight [kg]	Fig.	Part No.
Molded seal, separate channel 1, connect channels 5 and 3	10	0.004	Fig. 1	1821015047

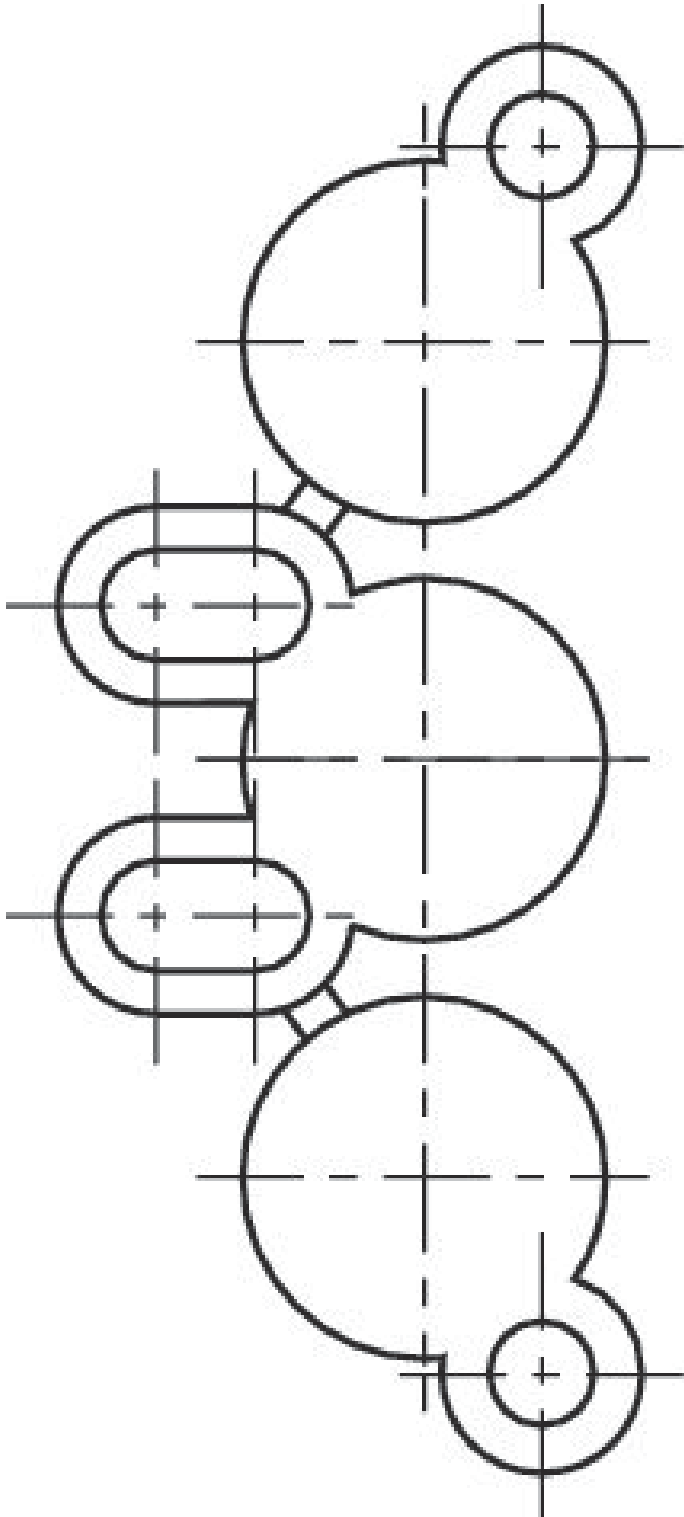


Seal for supply plate, separate channels 1, 3 and 5

Ambient temperature min./max.: -20 °C ... 70 °C



Type	Delivery unit [piece]	Weight [kg]	Fig.	Part No.
Molded seal, separate channels 1, 3 and 5	1	0.01	Fig. 2	1821015043

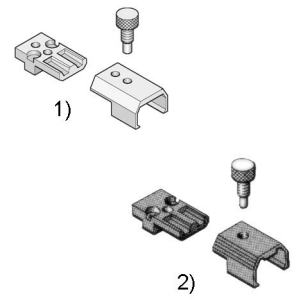


Valve cover seal, Valve housing seal



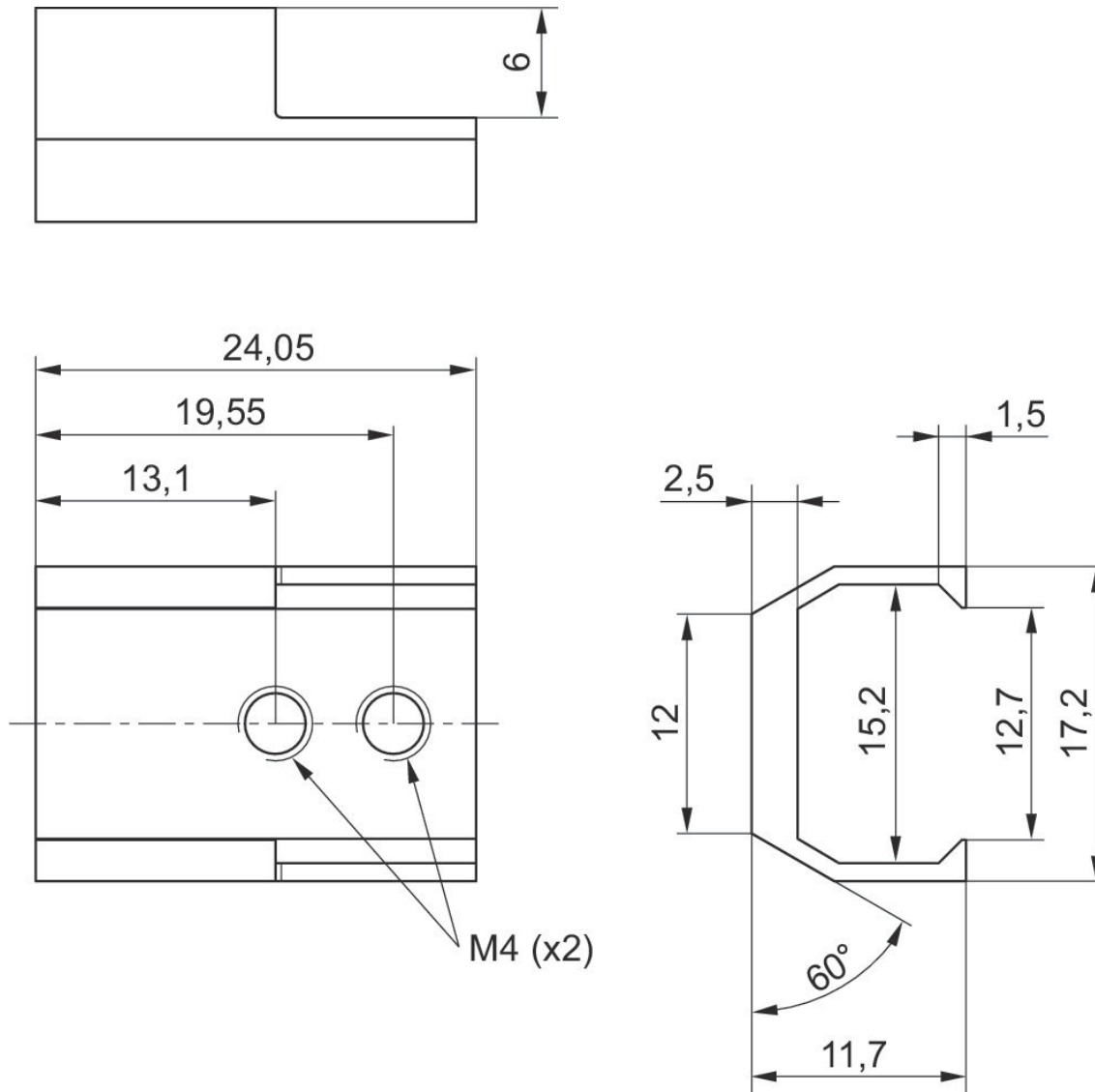
Type	Weight [kg]	Material	Part No.
Valve cover seal, electrically operated valves	0.005	Nitrile rubber	0490429808
Valve cover seal, pneumatically operated valves	0.005	Nitrile rubber	0490429905
Valve housing seal, between housing and base plate	0.001	Nitrile rubber	0486715103

Control unit for manual override



Type	Weight [kg]	Part No.
for double-sided electrically actuated valves, 15 pilot valve width	0.03	0493835718

Dimensions



Blanking piece

AVENTICS™

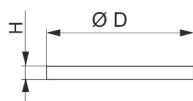
Type	Type	Weight [kg]	Part No.
Blanking piece	ISO 1	0.009	R432038306
Blanking piece	ISO 2	0.009	R432037662
Blanking piece	ISO 3	0.02	R432037663

Separator set

Ambient temperature min./max.: -20 °C ... 70 °C



Type	Type	Delivery unit [piece]	Weight [kg]	Material	Part No.
a	ISO 1	3	0.012	Brass	5801880000
b	ISO 1, ISO 2	3	0.017	Brass	5802880000
c	ISO 2, ISO 3	3	0.02	Brass	5803880000
d	ISO 3, ISO 4	3	0.029	Brass	5804880000



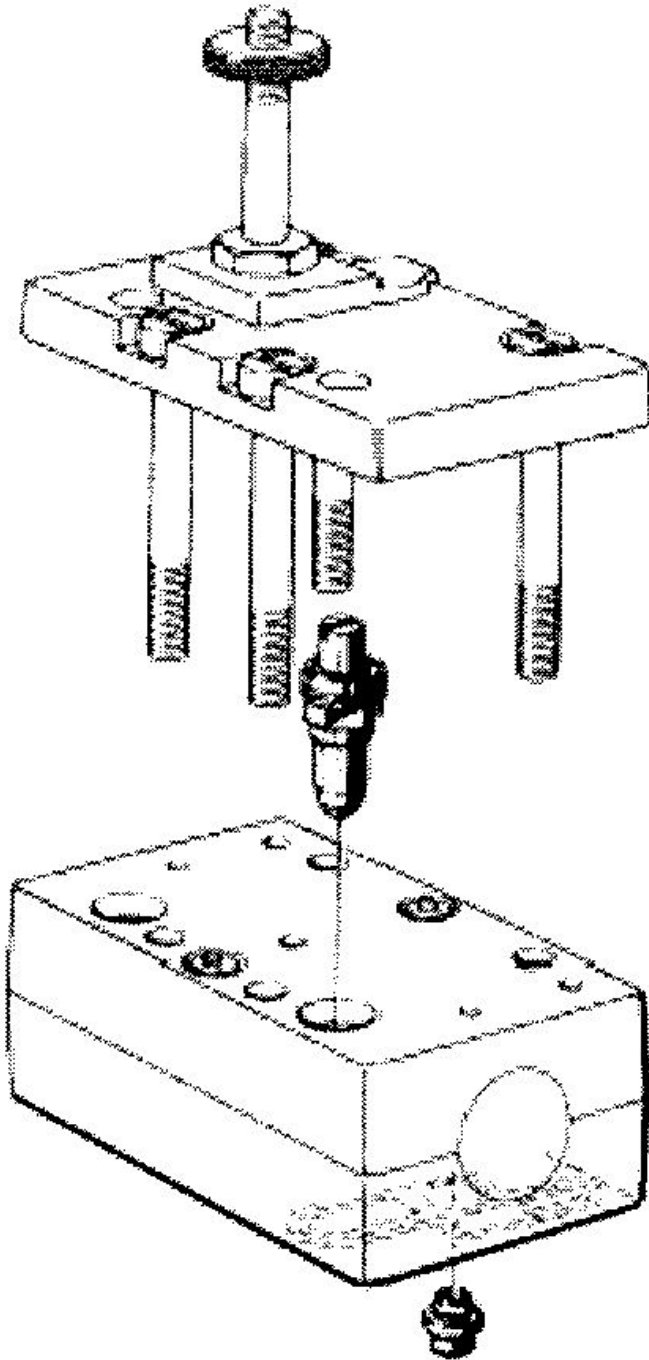
Part No.	D	H
5801880000	13,2	2
5802880000	17,2	2
5803880000	20,5	2,2
5804880000	24,5	2,2

throttle insert for flow control, Port 3/5



Weight [kg]	Part No.
0.014	5811001000

Vertically mounted



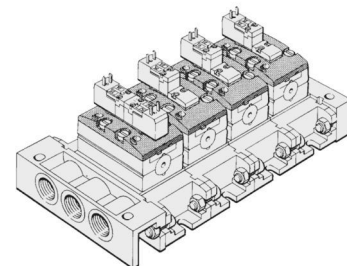
plug set for flow control screws



Weight [kg]	Material	Part No.
0.015	Polyamide	5811000000

valve cover, with or without pilot valve

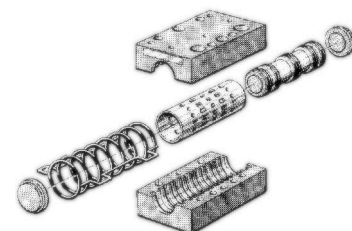
Ambient temperature min./max.: -20 °C ... 70 °C



Type	Weight [kg]	Part No.
5/2-directional valve, single solenoid	0.057	0493842501
2x3/2-, 5/2-, 5/3-directional valve	0.054	0493842609
5/2-directional valve, mono-stable	0.13	5811010000
2x3/2-, 5/2-, 5/3-directional valve	0.15	5811020000
5/2-directional valve, mono-stable	0.13	5811050000
2x3/2-, 5/2-, 5/3-directional valve	0.15	5811060000
all	0.2	5811080000

valve housing, without cover

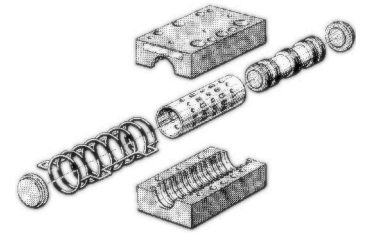
Ambient temperature min./max.: -20 °C ... 70 °C



Type	Weight [kg]	Material	Part No.
5/2-directional valve, mono-stable	0.27	Aluminum	5811100000
5/2-directional valve, double solenoid	0.27	Aluminum	5811200000
5/2-directional valve, double solenoid, with manual override	0.27	Aluminum	5811300000
5/3-directional valve, closed center	0.15	Aluminum	5811400000
5/3-directional valve, exhausted center	0.2	Aluminum	5811500000
5/2-way solenoid valve, with differential piston	0.2	Aluminum	5811600000
5/3-directional valve, pressurized center	0.14	Aluminum	5811700000

valve housing, without cover

Ambient temperature min./max.: -20 °C ... 70 °C



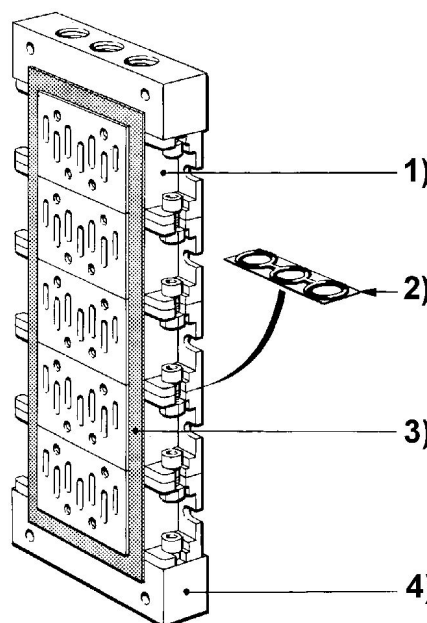
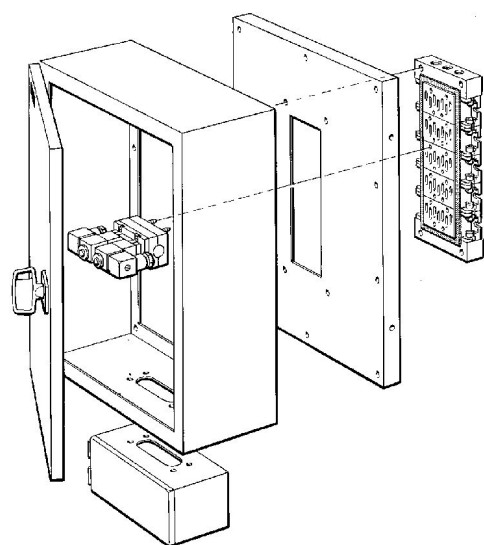
Type	Weight [kg]	Material	Part No.
2x3/2-way solenoid valve	0.1	Polyamide, fiber-glass reinforced	R402002299
5/2-directional valve, mono-stable	0.09	Polyamide, fiber-glass reinforced	R402002292
5/2-directional valve, double solenoid	0.08	Polyamide, fiber-glass reinforced	R402002293
5/2-directional valve, double solenoid, with manual override	0.08	Polyamide, fiber-glass reinforced	R402002294
5/2-way solenoid valve, with differential piston	0.14	Polyamide, fiber-glass reinforced	R402002297
5/3-directional valve, closed center	0.09	Polyamide, fiber-glass reinforced	R402002295
5/3-directional valve, pressurized center	0.09	Polyamide, fiber-glass reinforced	R402002298
5/3-directional valve, exhausted center	0.09	Polyamide, fiber-glass reinforced	R402002296

Mecproof, cabinet mounting

Ambient temperature min./max.: -10 °C ... 50 °C



Type	Thread connection	Delivery unit [piece]	Weight [kg]	Part No.
Intermediate plate for soft-start valve series 583	G 1/2		0.63	5802960000
Intermediate plate sealing			0.03	5802970000
Sealing strip incl. assembly instructions		10	0.02	5802980000
End plate	G 3/8		0.34	5802950000



1) intermediate plate 2) intermediate plate gasket 3) sealing strip 4) end plate

Blanking piece, Subbases ISO 5599-1

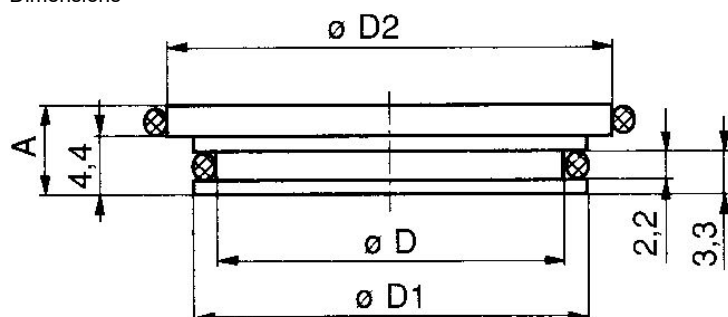
Ambient temperature min./max.: -25 °C ... 70 °C

Working pressure min./max.: -0.95 bar ... 10 bar



Type	Material	Part No.
ISO 1	Brass	8985049012
ISO 2	Brass	8985049022
ISO 3	Brass	8985049032

Dimensions



Part No.		A	D	D1	D2
8985049012	ISO 1	6.2	12.2	14.8	16.5
8985049022	ISO 2	6.2	15.7	18.3	23
8985049032	ISO 3	6.9	25.1	27.7	30
tablefooter					

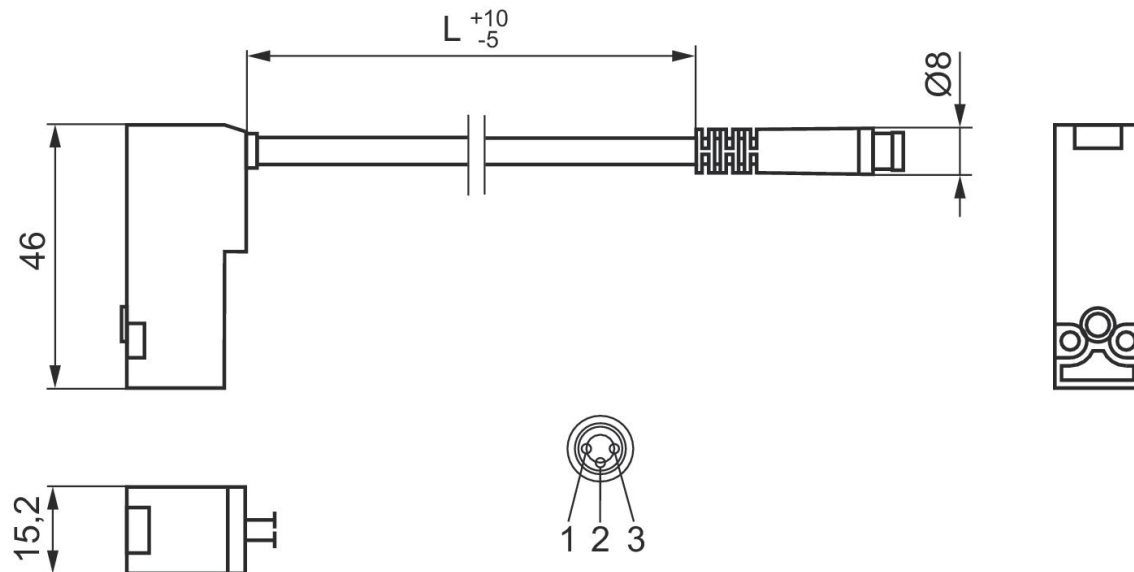
Pilot valve with cable

Activation: Electrically
 Duty cycle: 100 %
 Ambient temperature min./max.: -10 °C ... 50 °C
 Working pressure min./max.: 0 bar ... 10 bar



Switching principle	Operational voltage	Cable length L [m]	Power consumption DC [W]	Switch-on time [ms]	Manual override	Part No.
3/2	24 V DC	0.2	2.2	15	without detent	0493833308
3/2	24 V DC	0.35	2.2	15	without detent	0493832506
3/2	24 V DC	0.5	2.2	15	without detent	0493833103
3/2	24 V DC	5	2.2	15	without detent	0493838601

Dimensions



Pin assignment 1) +24 V 2) ground 3) 0 V

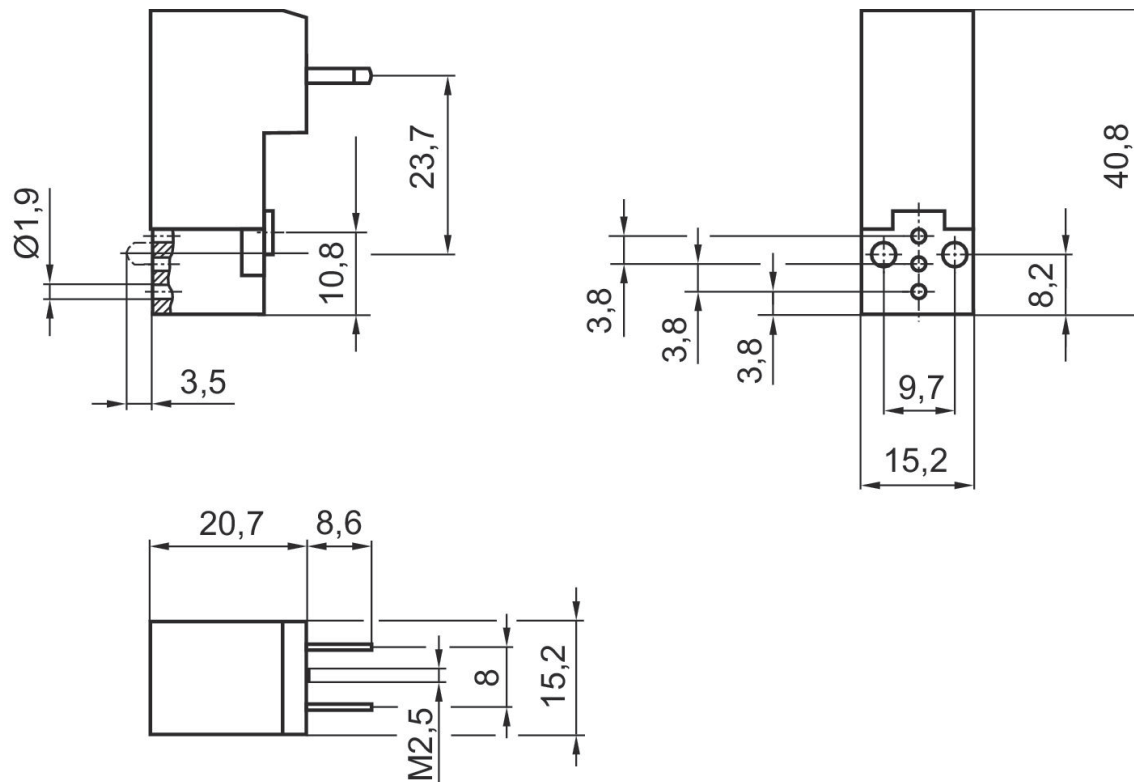
Pilot valve

Activation: Electrically
 Duty cycle: 100 %
 Ambient temperature min./max.: -10 °C ... 50 °C
 Working pressure min./max.: 0 bar ... 10 bar



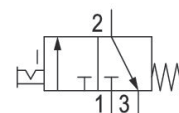
Switching principle	Operational voltage	Power consumption DC [W]	Manual override	Part No.
3/2	24 V DC	2	without detent	0493833502

Dimensions



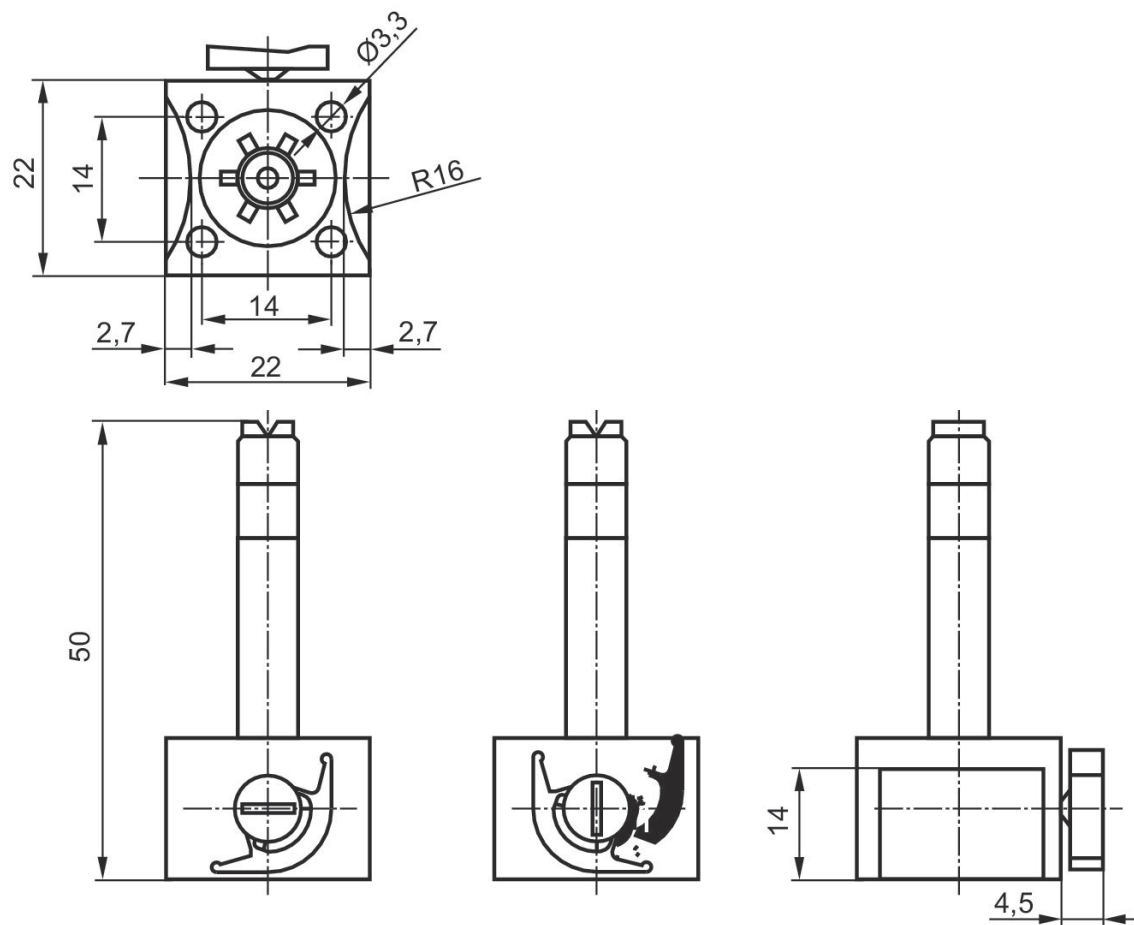
Pilot valve

Activation: Electrically
 Duty cycle: 100 %
 Ambient temperature min./max.: -15 °C ... 50 °C
 Working pressure min./max.: 0 bar ... 10 bar



Operational voltage	Power consumption DC [W]	Part No.
	5	0493818805
24 V DC	2	0493818902

Dimensions

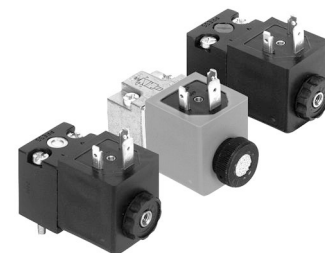


Pilot valve

Activation: Electrically

Duty cycle: 100 %

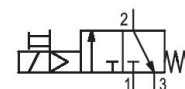
Ambient temperature min./max.: -10 °C ... 50 °C



	Voltage tolerance DC	Power consumption DC [W]	Part No.
			5428110080
	-10 % / +10 %	2	5420890020
	-10 % / +10 %	6.7	5420850020
			5428150080
	-10 % / +10 %	2	5420890030
	-10 % / +10 %	2	5420890070
	-10 % / +10 %	2	5420890080
			5428110020
			5428110040
			5428110070

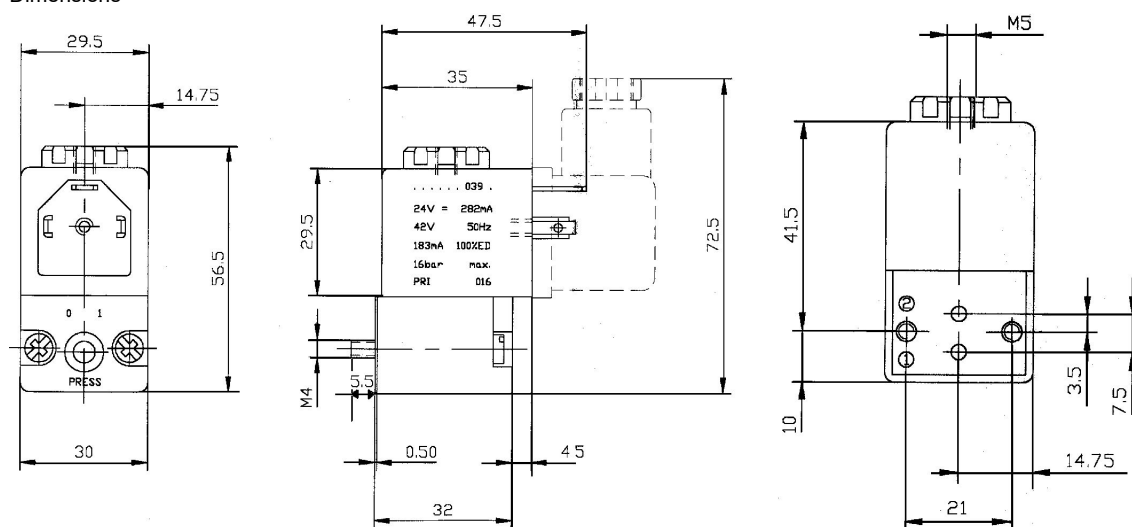
3/2-directional valve

Activation: Electrically
Ambient temperature min./max.: -10 °C ... 50 °C
Working pressure min./max.: 0 bar ... 16 bar



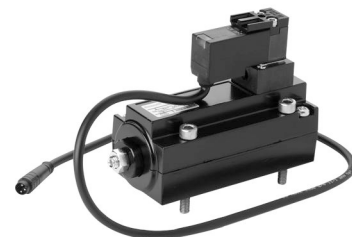
Operational voltage	Power consumption DC [W]	Voltage tolerance DC	Manual override	Part No.
24 V DC	6.7	-10 % / +10 %	without detent	5420800390
230 V AC			without detent	5428200380
110 V AC			without detent	5428200370

Dimensions



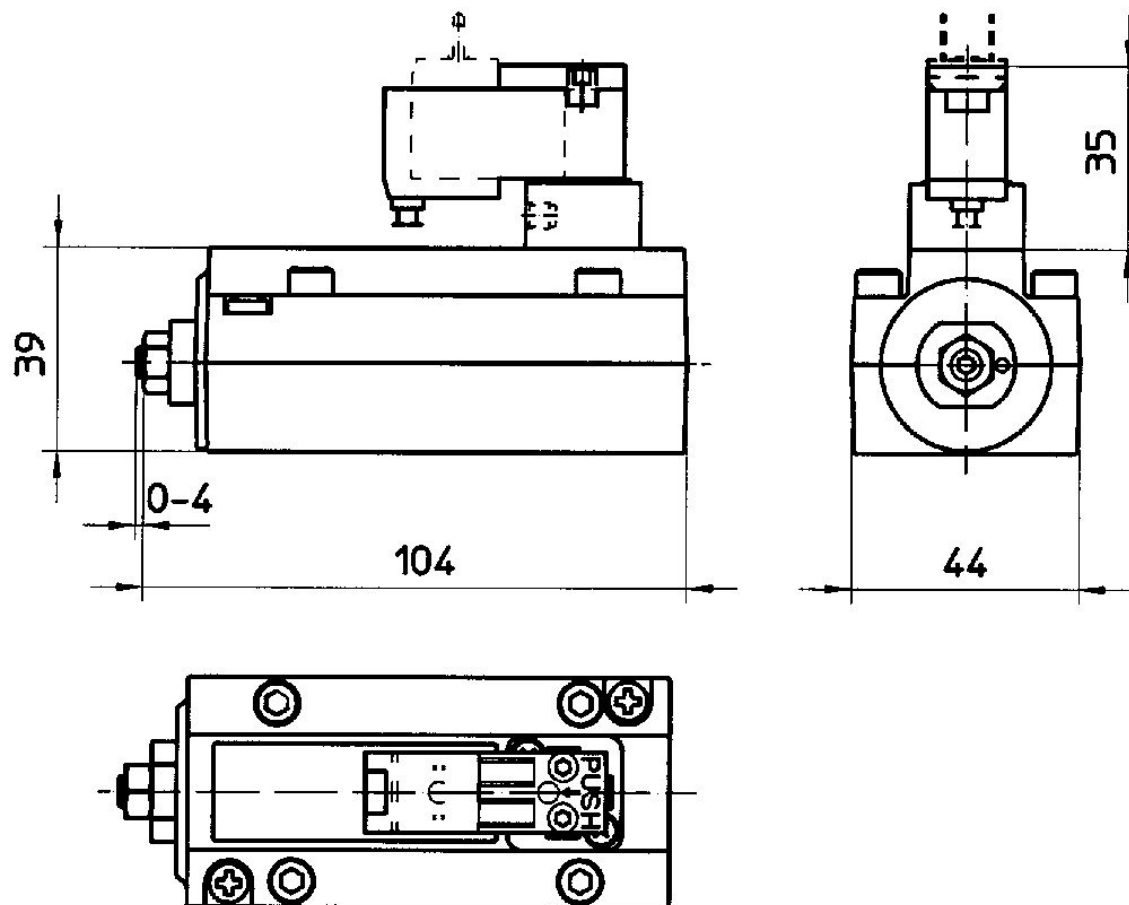
Soft-start valve

Flow: 3300 l/min
 Activation: Electrically
 Duty cycle: 100 %
 Type: Spool valve
 Ambient temperature min./max.: -15 °C ... 50 °C
 Medium temperature min./max.: -15 °C ... 50 °C
 Working pressure min./max.: 3 bar ... 10 bar



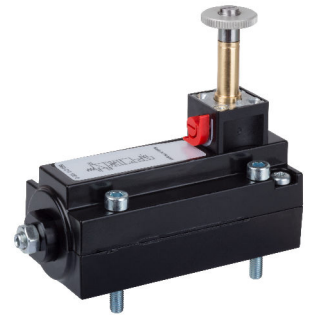
Operational voltage	Voltage tolerance DC	Power consumption DC [W]	Switch-off time [ms]	Part No.
24 V DC	-10 % / +10 %	2	60	5835900100
24 V DC	-10 % / +10 %	2	60	5835902100

Dimensions



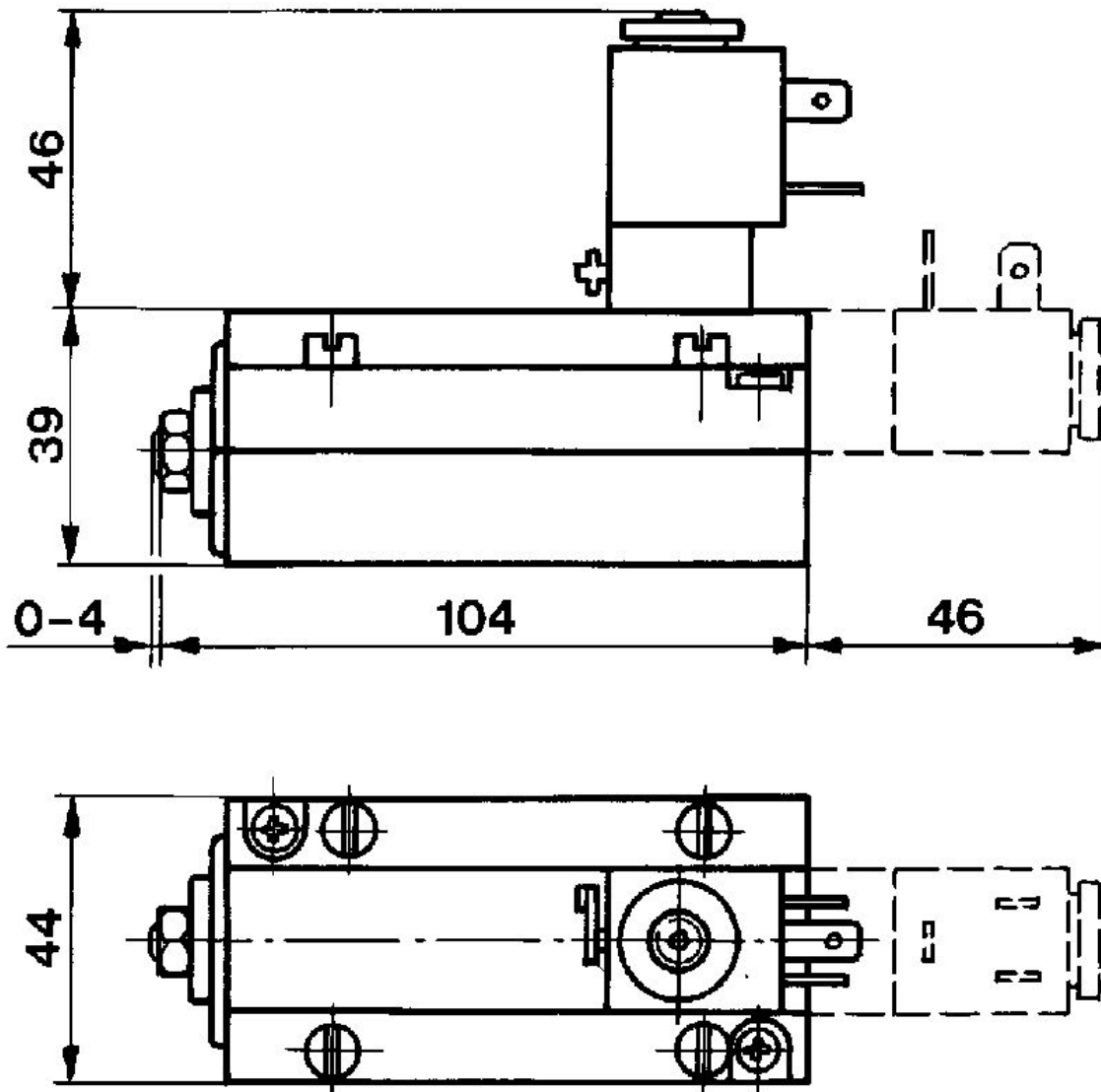
Soft-start valve, Pilot valve on top

Flow: 3300 l/min
 Activation: Electrically
 Duty cycle: 100 %
 Type: Spool valve
 Ambient temperature min./max.: -15 °C ... 50 °C
 Medium temperature min./max.: -15 °C ... 50 °C
 Working pressure min./max.: 3 bar ... 10 bar



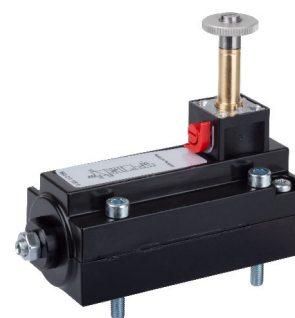
	Operational voltage	Voltage tolerance DC	Power consumption DC [W]	Switch-off time [ms]	Part No.
	24 V AC			60	5832111200
	24 V DC	-10 % / +10 %	2	60	5832151100
	24 V DC	-10 % / +10 %	5	60	5832111100
	110 V AC			60	5832111300
	230 V AC			60	5832111400
				60	5832111000







Dimensions



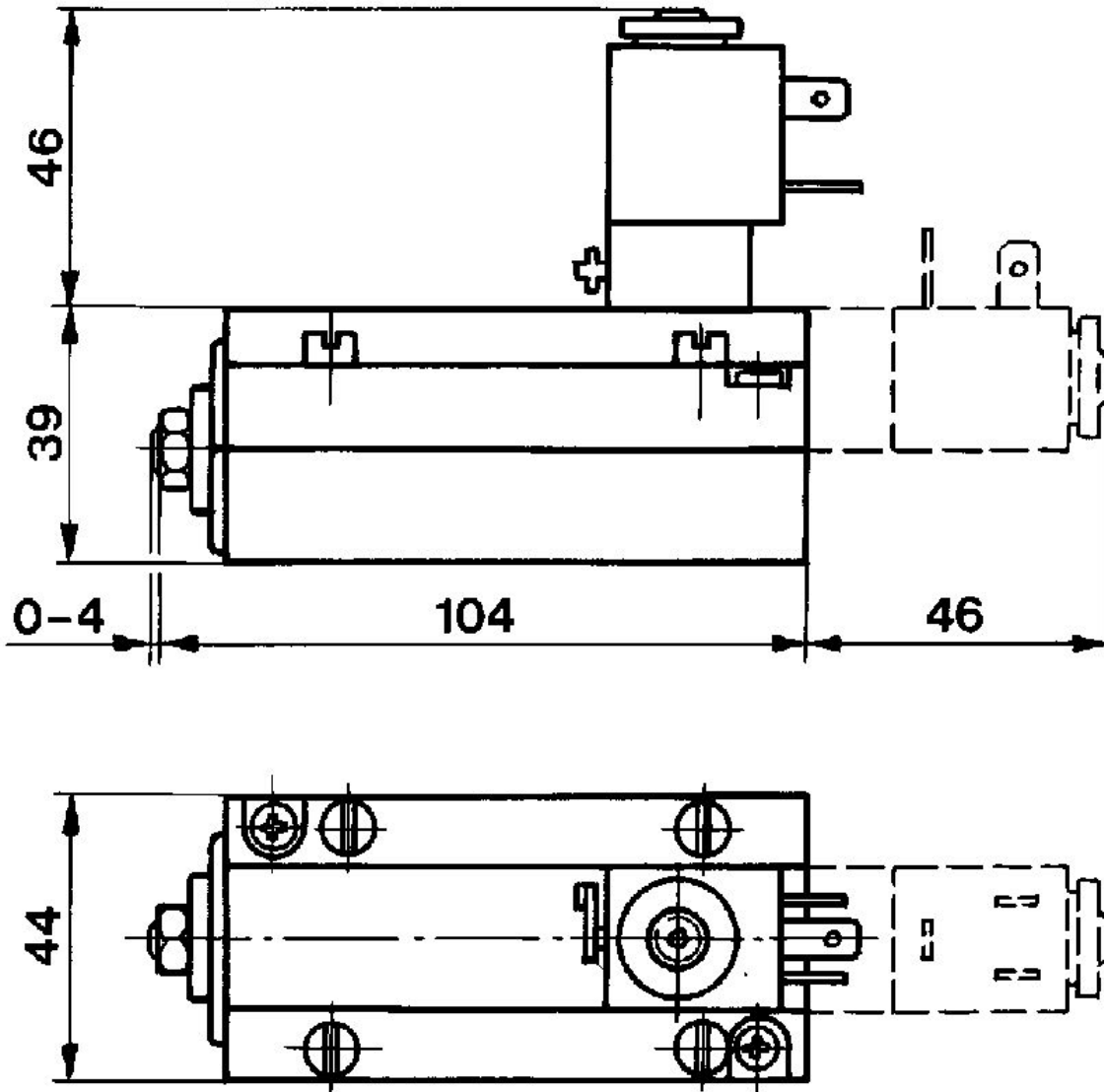
Soft-start valve, Pilot valve on side

Flow: 3300 l/min
 Activation: Electrically
 Duty cycle: 100 %
 Type: Spool valve
 Ambient temperature min./max.: -15 °C ... 50 °C
 Medium temperature min./max.: -15 °C ... 50 °C
 Working pressure min./max.: 3 bar ... 10 bar



	Operational voltage	Voltage tolerance DC	Power consumption DC [W]	Switch-off time [ms]	Part No.
	24 V AC			60	5832115200
	24 V DC	-10 % / +10 %	2	60	5832155100
	24 V DC	-10 % / +10 %	5	60	5832115100
	110 V AC			60	5832115300
	230 V AC			60	5832115400
				60	5832115000

Dimensions



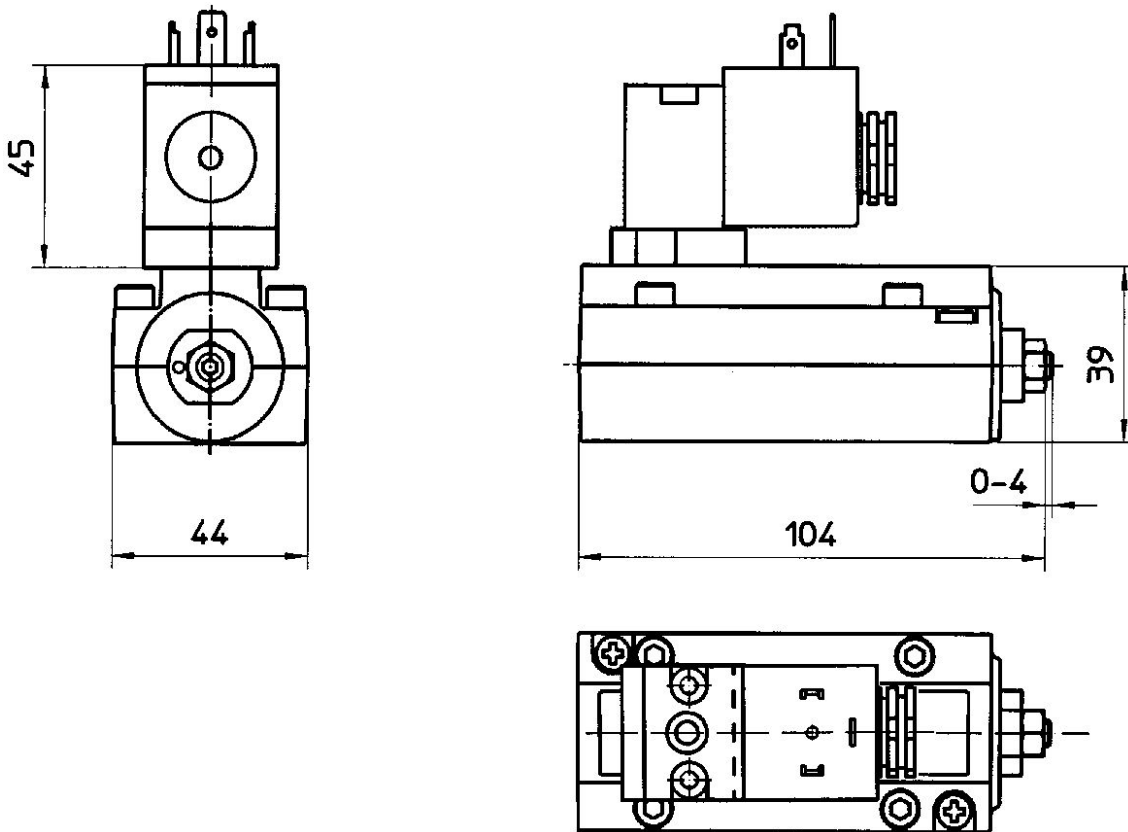
Soft-start valve

Flow: 3300 l/min
 Activation: Electrically
 Duty cycle: 100 %
 Type: Spool valve
 Ambient temperature min./max.: -15 °C ... 50 °C
 Medium temperature min./max.: -15 °C ... 50 °C
 Working pressure min./max.: 3 bar ... 10 bar



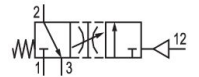
	Operational voltage	Voltage tolerance DC	Power consumption DC [W]	Switch-off time [ms]	Manual override	Part No.
	24 V DC	-10 % / +10 %	6.7	60	without detent	5832171540
	230 V AC			60	without detent	5832171440
	24 V DC	-10 % / +10 %	2	60	with detent	5832171650
	230 V AC			60	with detent	5832171450
	24 V DC	-10 % / +10 %	6.7	60	without	5832171530
	230 V AC			60	without	5832171430

Dimensions

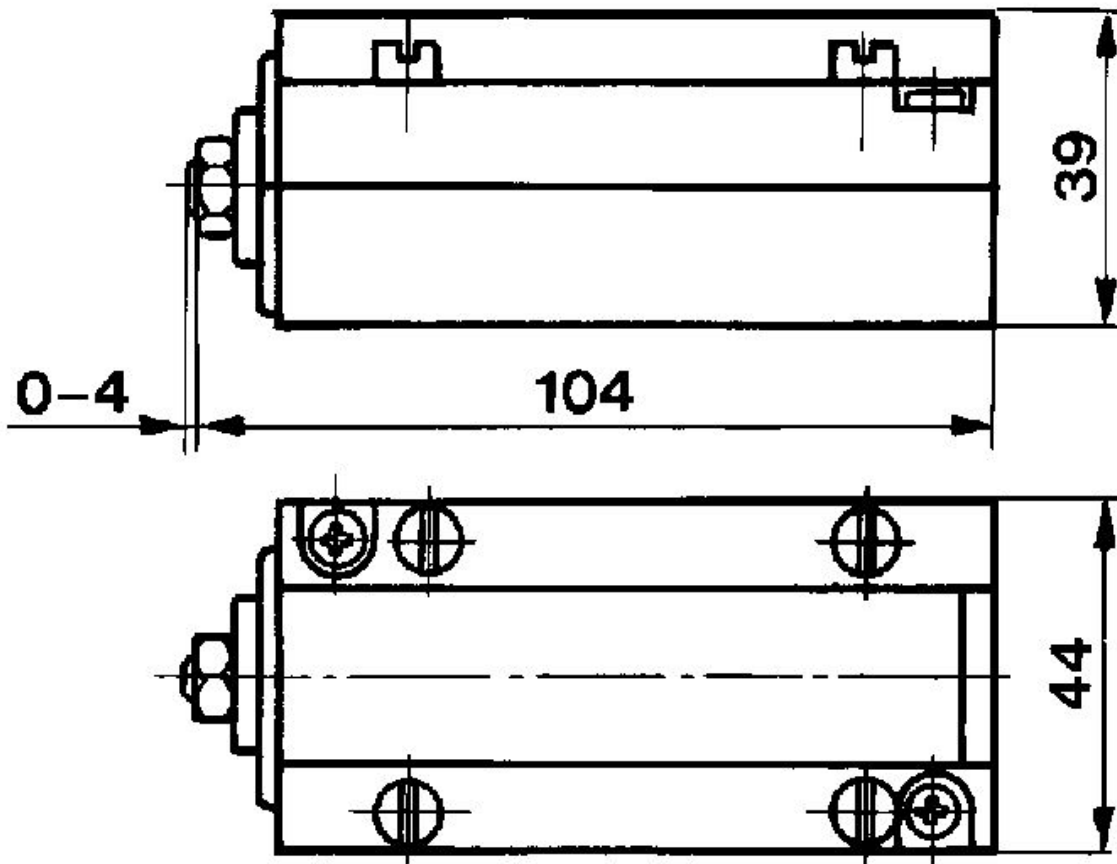


Soft-start valve

Flow: 3300 l/min
Activation: Pneumatically
Type: Spool valve
Ambient temperature min./max.: -15 °C ... 50 °C
Medium temperature min./max.: -15 °C ... 50 °C
Working pressure min./max.: 3 bar ... 10 bar



Dimensions

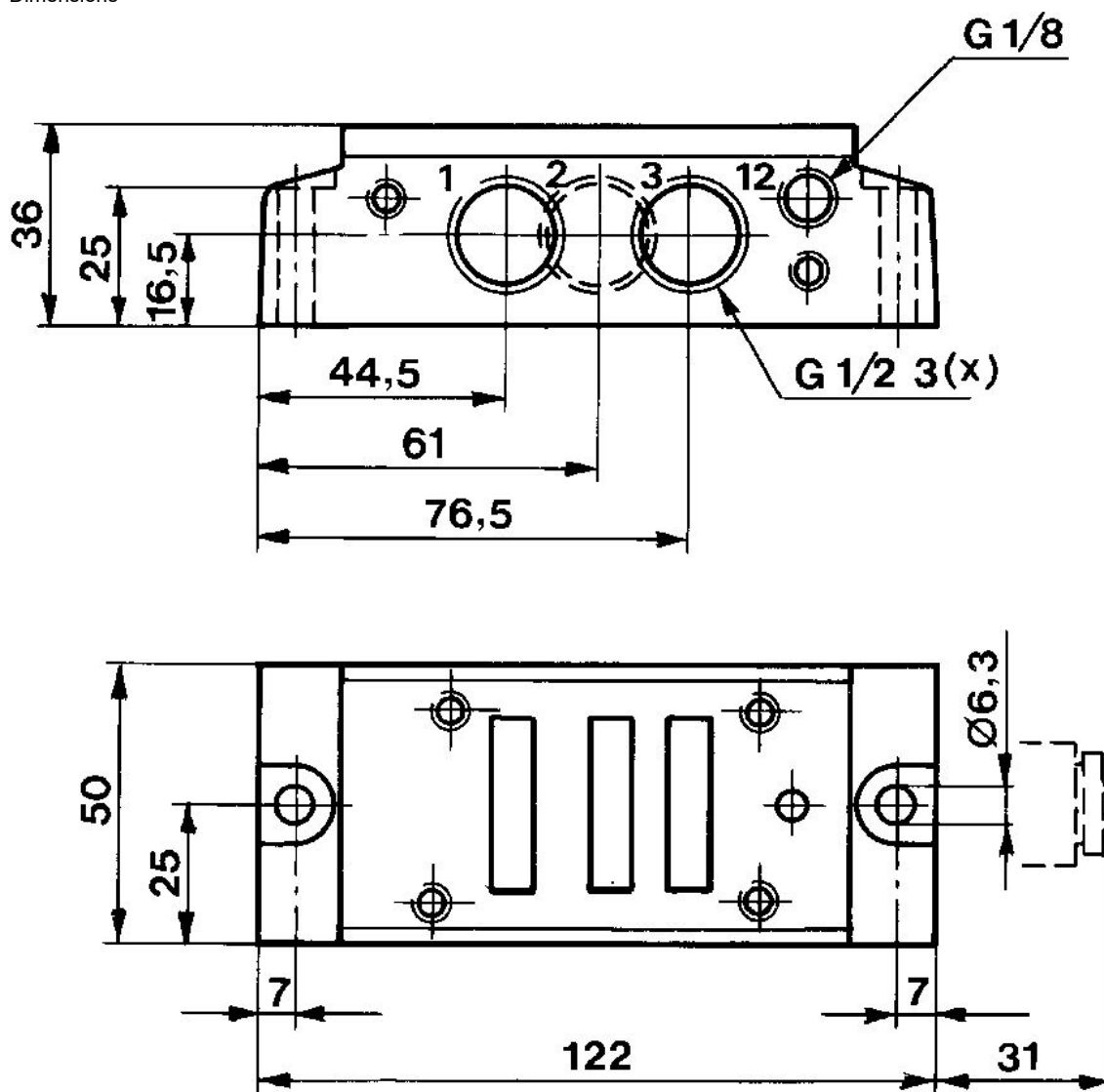


Single subbase, for soft-start valve

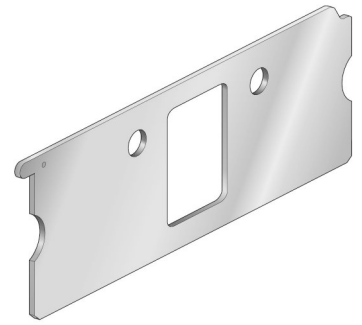


Min. ambient temperature [°C]	Max. ambient temperature [°C]	Compressed air connection input	Compressed air connection output	Compressed air connection, exhaust	Compressed air connection pilot air	Max. number of valve positions	Part No.
-20	70	G 1/2	G 1/2	G 1/2	G 1/8	1	5834710000

Dimensions



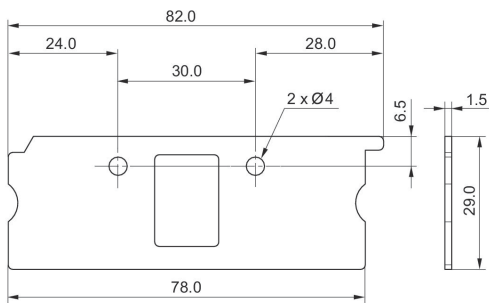
Transition plate, Port 1 open



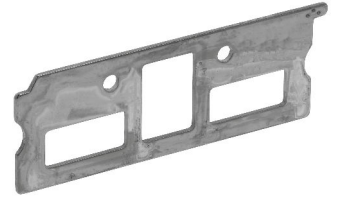
Type	Frame size	Min. ambient temperature [°C]	Max. ambient temperature [°C]	Part No.
Port 1 open	ISO 1	-10	60	88135512

88135512

Dimensions



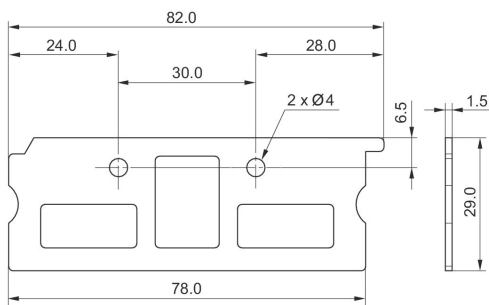
Transition plate, Port 1, 3, 5 open



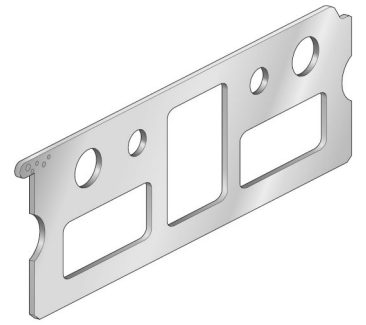
Type	Frame size	Min. ambient temperature [°C]	Max. ambient temperature [°C]	Part No.
Port 1, 3, 5 open	ISO 1	-10	60	88135502

88135502

Dimensions



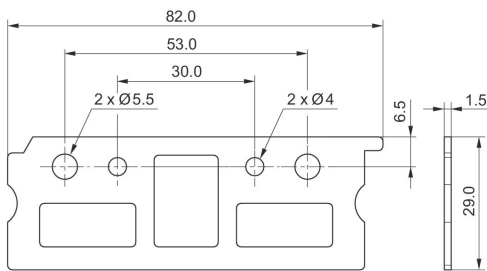
Transition plate, Port 1, 3, 5, 12, 14 open



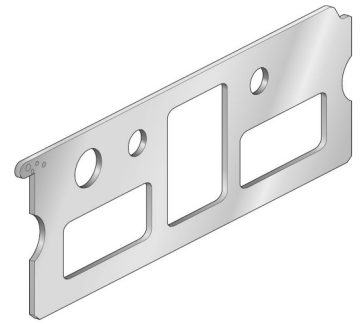
Type	Frame size	Min. ambient temperature [°C]	Max. ambient temperature [°C]	Part No.
Port 1, 3, 5, 12, 14 open	ISO 1	-10	60	88135504

88135504

Dimensions



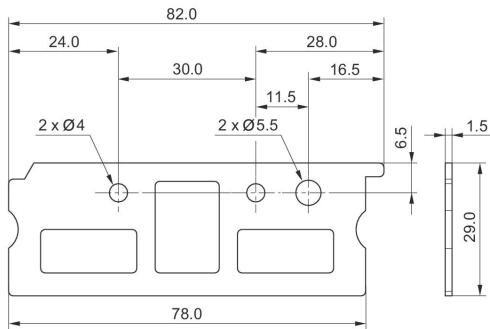
Transition plate, Port 1, 3, 5 and 12 or 14 open



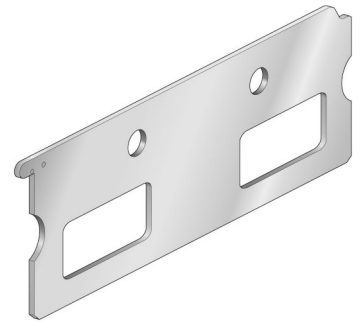
Type	Frame size	Min. ambient temperature [°C]	Max. ambient temperature [°C]	Part No.
Port 1, 3, 5 and 12 or 14 open	ISO 1	-10	60	88135503

88135503

Dimensions



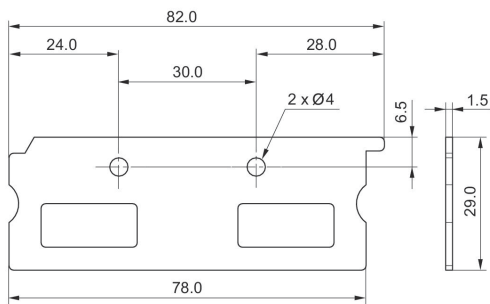
Transition plate, Port 3, 5 open



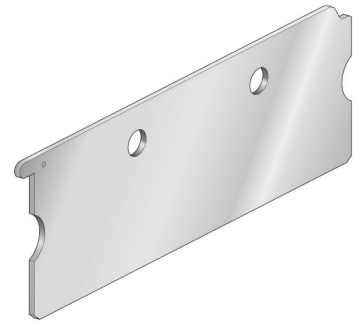
Type	Frame size	Min. ambient temperature [°C]	Max. ambient temperature [°C]	Part No.
Port 3, 5 open	ISO 1	-10	60	88135510

88135510

Dimensions



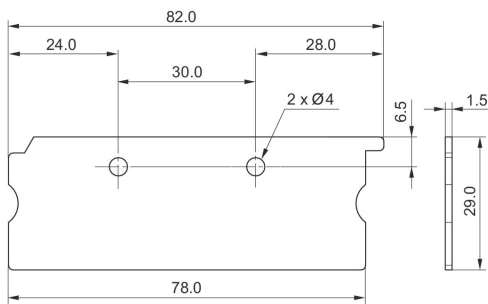
Transition plate, Blanking plate



Type	Frame size	Min. ambient temperature [°C]	Max. ambient temperature [°C]	Part No.
Blanking plate	ISO 1	-10	60	88135501

88135501

Dimensions

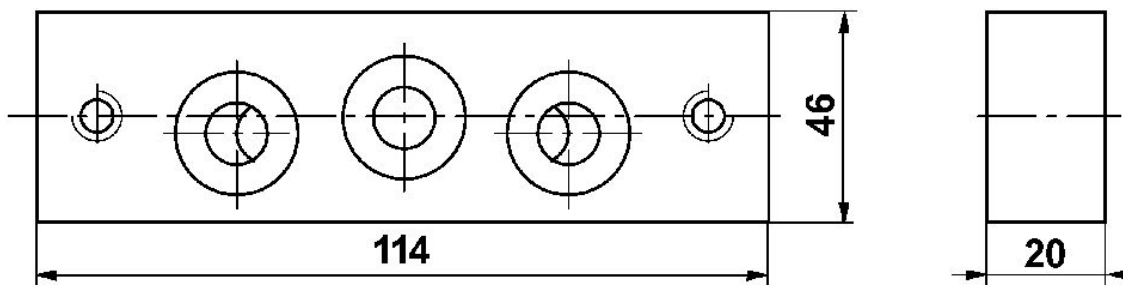


Transition plate, ISO 1, ISO 2



Frame size	Min. ambient temperature [°C]	Max. ambient temperature [°C]	Part No.
ISO 1, ISO 2	-20	70	5802520000

Dimensions

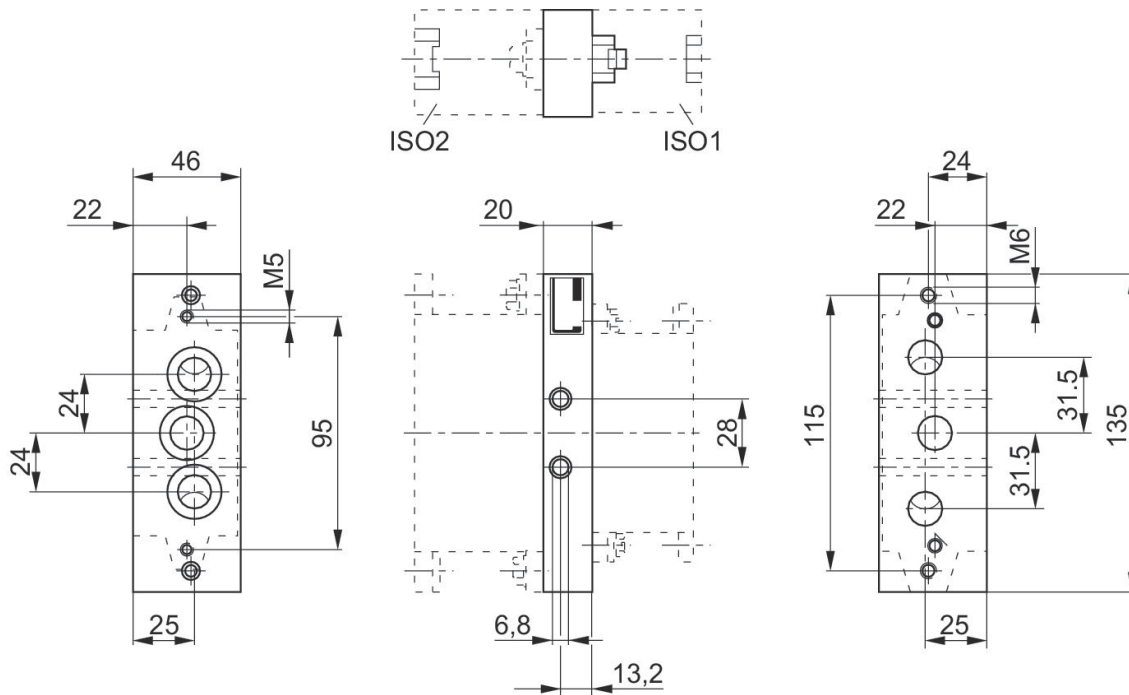


Transition plate, ISO 1 > ISO 2



Frame size	Min. ambient temperature [°C]	Max. ambient temperature [°C]	Part No.
ISO 1 > ISO 2	-15	70	1825503164

Dimensions

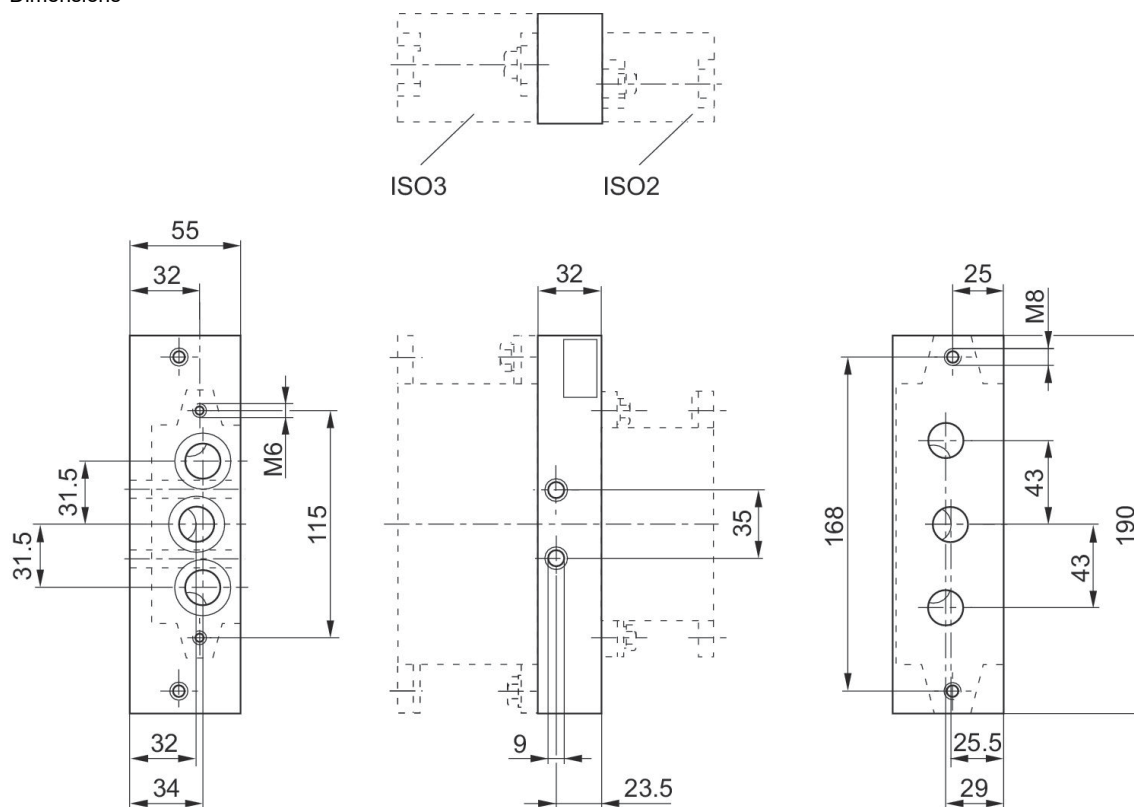


Transition plate, ISO 2 > ISO 3



Frame size	Min. ambient temperature [°C]	Max. ambient temperature [°C]	Part No.
ISO 2 > ISO 3	-15	70	1825503165

Dimensions

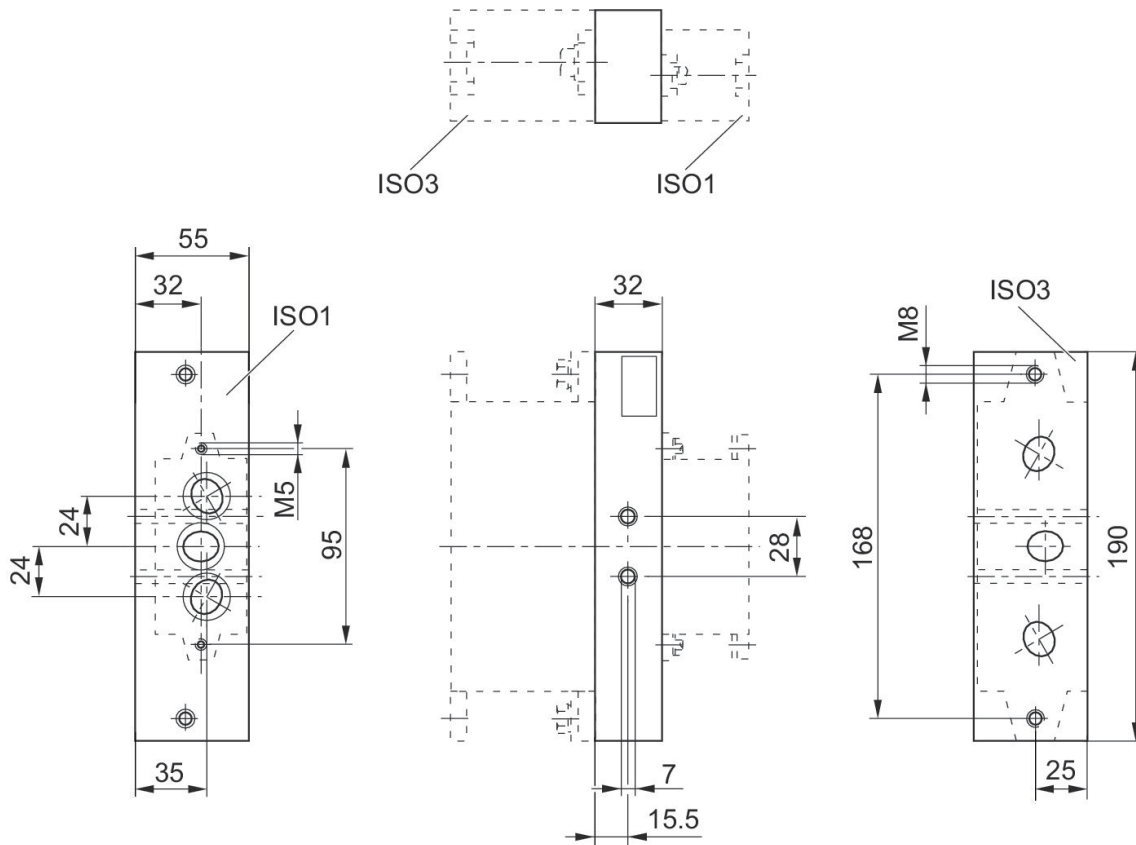


Transition plate, ISO 1 > ISO 3



Frame size	Min. ambient temperature [°C]	Max. ambient temperature [°C]	Part No.
ISO 1 > ISO 3	-15	70	1825503166

Dimensions

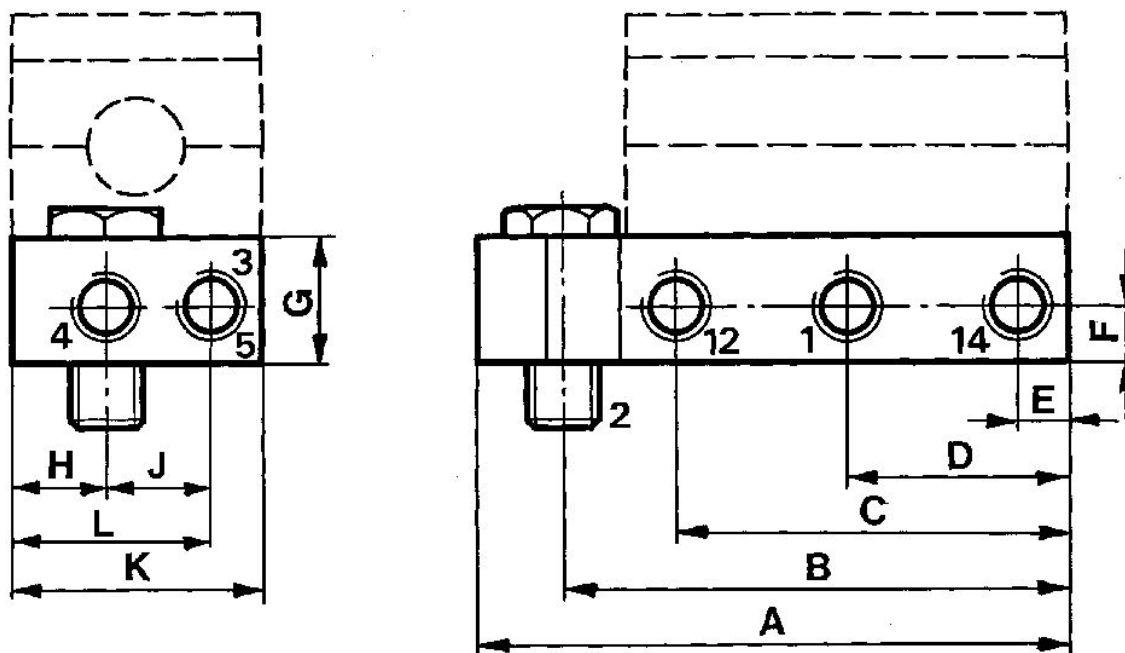


Subbase, for direct mounting of ISO valves on cylinders



Frame size	Min. ambient temperature [°C]	Max. ambient temperature [°C]	Compressed air connection input	Compressed air connection output	Compressed air connection, exhaust	Compressed air connection pilot air	Part No.
ISO 1	-20	70	G 1/8	G 1/8	G 1/8	G 1/8	5801690000

Dimensions



Part No.	1, 4, 3, (5)	2*	12, 14	A	B	C	D	E	F
5801690000	G 1/8	G 1/8, G 1/4	G 1/8	93.5	80	62	35	8	9
5802690000	G 3/8	G 3/8	G 1/8	127	109.5	81.5	46.5	11.5	13

G	H	J	K	L
20	15	17	40	32
32	29	26	60	46.5

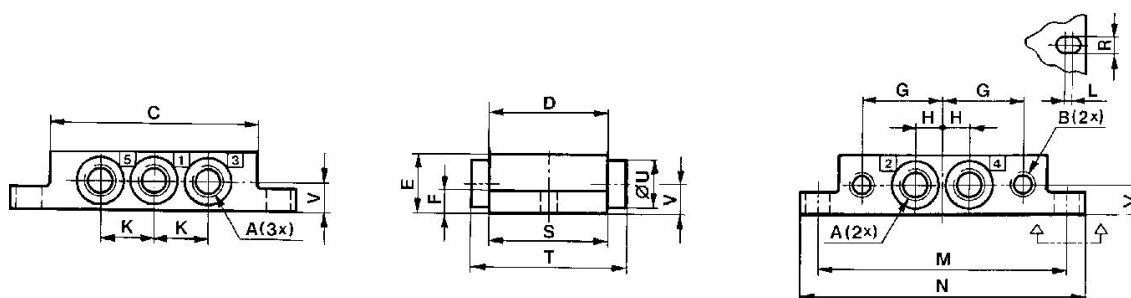
* Two different threaded banjo bolts are supplied with 5801690000 to be used with different cylinders.

Single subbase, ports on side



Frame size	Min. ambient temperature [°C]	Max. ambient temperature [°C]	Compressed air connection input	Compressed air connection output	Compressed air connection, exhaust	Compressed air connection pilot air	Max. number of valve positions	Part No.
ISO 1	-20	70	G 1/8	G 1/8	G 1/8	G 1/8	1	5801710000
ISO 1	-20	70	G 1/4	G 1/4	G 1/4	G 1/8	1	5801740000

Dimensions



Part No.	A *)	B *)	C	D	E	F	G	H	K
5801710000	G 1/8	G 1/8	70	40	20	8	26.5	9	18
5801740000	G 1/4	G 1/8	70	40	23	11	31.5	11.5	23
5802710000	G 1/4	G 1/8	86	52	23	8	34	12	24
5802740000	G 3/8	G 1/8	86	50	30	13	39	15	30
5803710000	G 3/8	G 1/8	118	65	32	10	45	16	32
5804710000	G 1/2	G 1/8	142	76	37	10	55.5	20	40

L	M	N	R	S	T	U	V
2	84	96	5.4	40	-	-	10
2	96	110	5.4	46	64	21	12
2	102	115	6.4	52	-	-	11.5
2	111	124	6.4	56	80	27	16
2	138	153	8.4	65	-	-	17.5
2	175	190	8.4	76	-	-	21

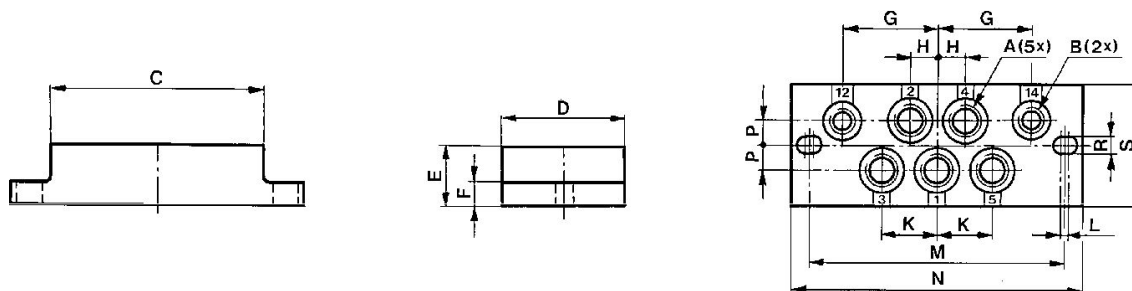
*) Ports

Single subbase, ports on bottom



Frame size	Min. ambient temperature [°C]	Max. ambient temperature [°C]	Compressed air connection input	Compressed air connection output	Compressed air connection, exhaust	Compressed air connection pilot air	Max. number of valve positions	Part No.
ISO 1	-20	70	G 1/8	G 1/8	G 1/8	G 1/8	1	5801700000

Dimensions

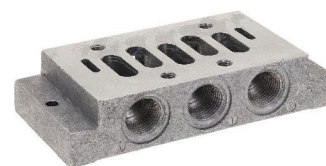


Part No.	A *)	B *)	C	D	E	F	G	H	K
5801700000	G1/8	G1/8	70	40	20	8	26.5	9	18
5801800000	Ø 6	Ø 4	70	40	20	8	26.5	9	18
5802700000	G1/4	G1/8	86	52	22	8	34	12	24
5802800000	Ø 8	Ø 6	86	52	22	8	34	12	24
5803700000	G3/8	G1/8	118	65	32	10	45	16	32
5804700000	G1/2	G1/8	142	76	37	10	55.5	20	40

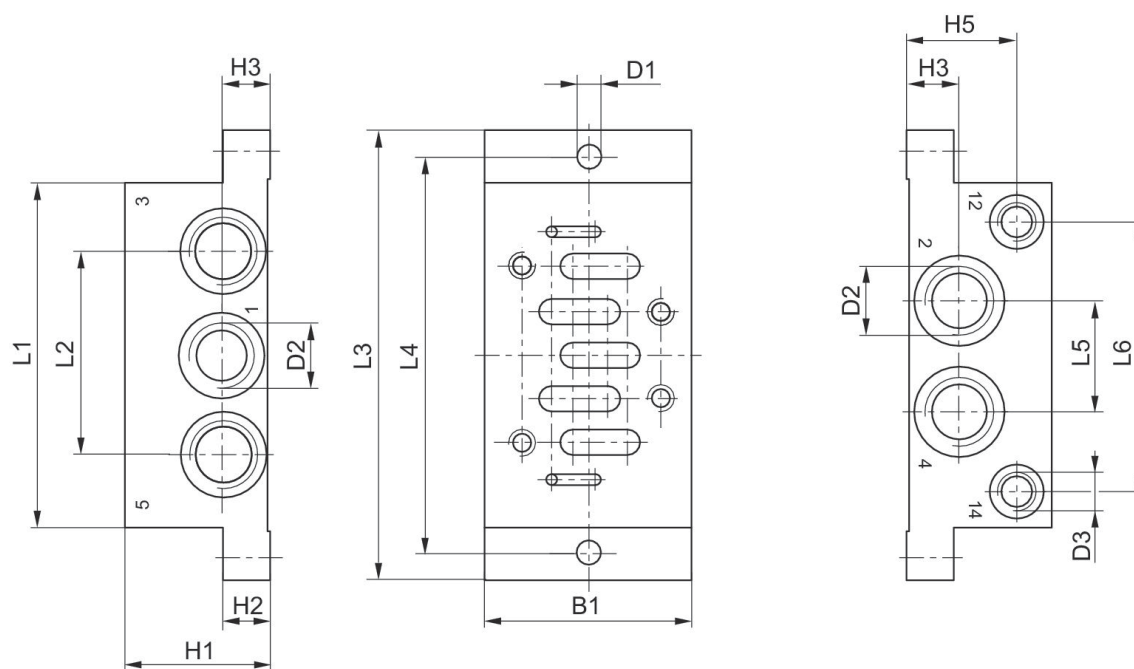
L	M	N	P	R	S
2	84	96	8	5.4	40
2	84	96	8	5.4	40
2	102	115	10	6.4	52
2	102	115	10	6.4	52
2	138	153	11	8.4	65
2	175	190	13	8.4	76

*) Ports

Single subbase, thread connections on the side



Frame size	Min. ambient temperature [°C]	Max. ambient temperature [°C]	Compressed air connection input	Compressed air connection output	Compressed air connection, exhaust	Compressed air connection pilot air	Max. number of valve positions	Part No.
ISO 1	-25	70	G 1/4	G 1/4	G 1/4	G 1/8	1	1825503143



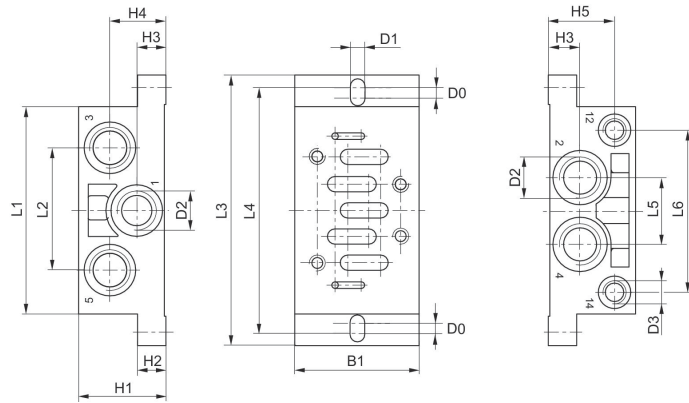
Part No.	ISO 3	B1	H1	H2	H3	H5	D1	D2 *)	D3 *)
1825503149	ISO 3	71	32	18	17	22	6.6	G 1/2	G 1/8

Part No.	L1	L2	L3	L4	L5	L6
1825503149	119	68	149	136	32	90

*) Ports

1825503143

Dimensions

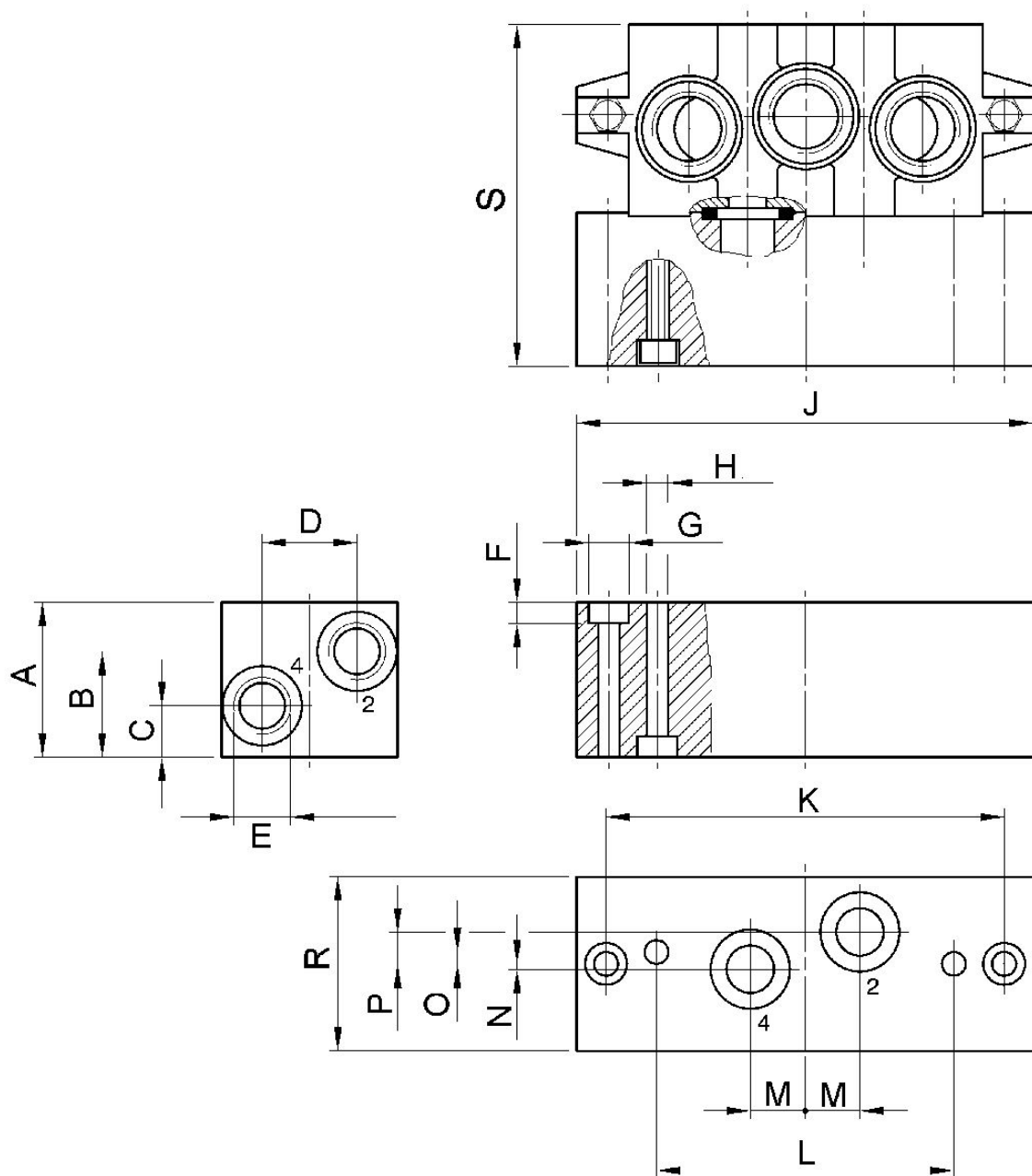


Angle subplate



Compressed air connection output	Connection direction	Part No.
G 1/4	On the side	1825503170
G 3/8	On the side	1825503204
G 1/2	On the side	1825503205

Dimensions



Part No.	A	B	C	D	E	F	G	H	J
1825503170	37	25	12	22	G 1/4	5,7	Ø 10	Ø 5,5	110
1825503204	40	26	14	29	G 3/8	6,8	Ø 11	Ø 6,6	135
1825503205	45	29	17	36	G 1/2	9	Ø 15	Ø 9	190

K	L	M	N	O	P	R	S
95	71	13	1,5	3	7,5	42	81
115	86	15	5	3	6	55	85
168	130	19	6	3	8	70	99

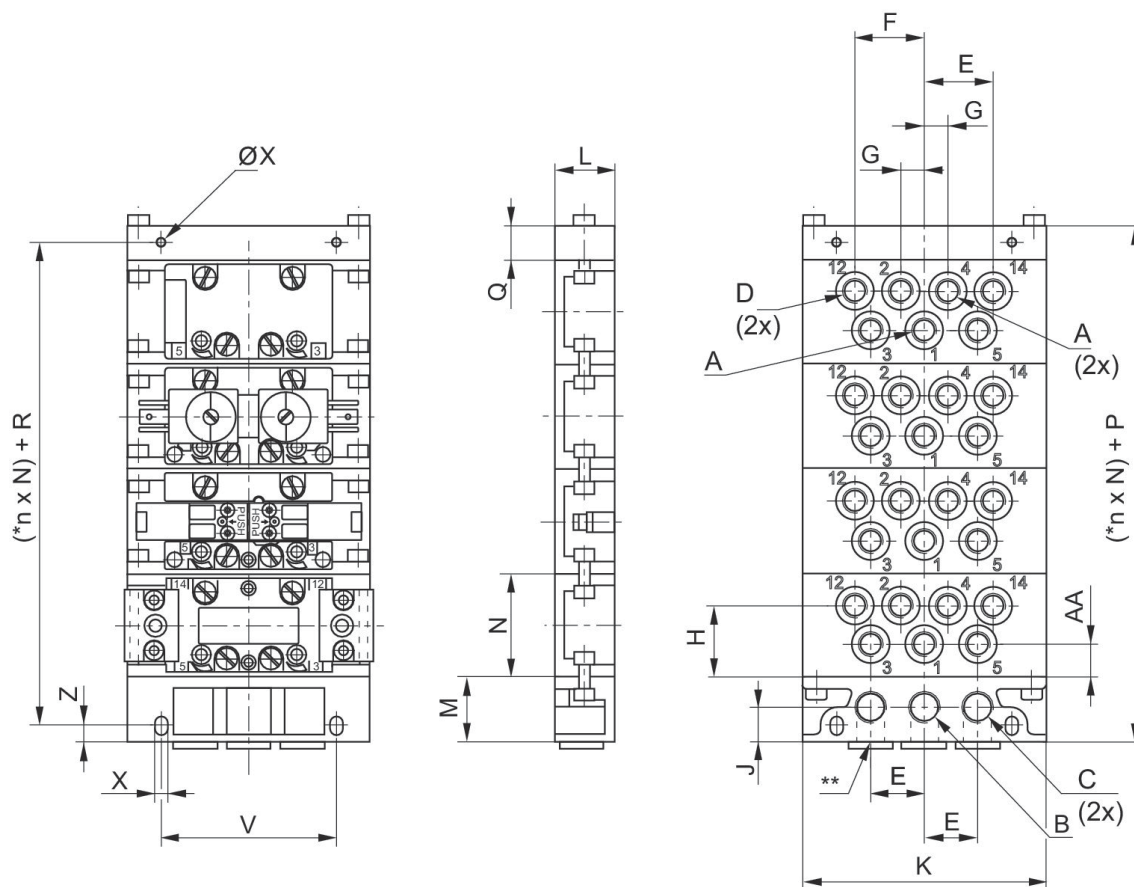
Intermediate plate for separate air supply, ports 2 and 4 on bottom



Type	Frame size	Min. ambient temperature [°C]	Max. ambient temperature [°C]	Compressed air connection input	Compressed air connection output	Compressed air connection, exhaust	Compressed air connection pilot air	Part No.
Intermediate plate for separate air supply	ISO 1	-20	70	G 1/8	G 1/8	G 1/8	G 1/8	5801670000
Intermediate plate for separate air supply	ISO 1	-20	70	G 1/4	G 1/4	G 1/4	G 1/8	5801680000

Max. number of valve positions	Part No.
1	5801670000
1	5801680000

Dimensions



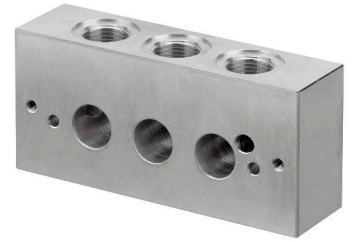
* n = Number of subbases. ** Alternative port openings, closed with plugs

Part No.	ISO	A	B	C	D	E	F	G	H
5801670000	ISO 1	G 1/8	G 1/4	G 1/4	G 1/8	22	28.5	9.5	29.5
5801680000	ISO 1	G 1/4	G 3/8	G 3/8	G 1/8	27	40	12.5	26.5
5802670000	ISO 2	G 1/4	G 3/8	G 3/8	G 1/8	27	39	13.5	38
5802680000	ISO 2	G 3/8	G 1/2	G 1/2	G 1/8	36	52	17	33

Part No.	J	K	L	M	N	P	Q	R	V
5801670000	14.5	100	25	27	43	41	14	27.5	72
5801680000	20	122	30	34	43	49	15	34	94
5802670000	20	122	28	34	56	49	15	34	94
5802680000	22	156	37	39	56	59	20	40	118

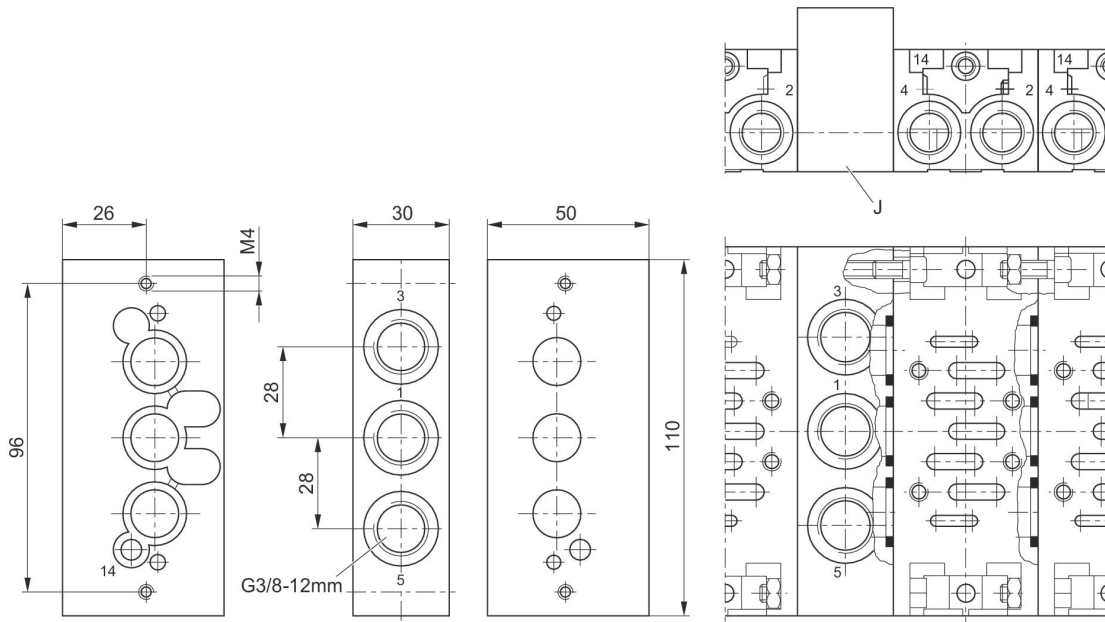
Part No.	X	Z	AA
5801670000	5.4	7	8
5801680000	6.4	8	10
5802670000	6.4	8	18
5802680000	8.4	10	33

Supply plate



Compressed air connection input	Compressed air connection, exhaust	Part No.
G 3/8	G 3/8	1825503314

Dimensions

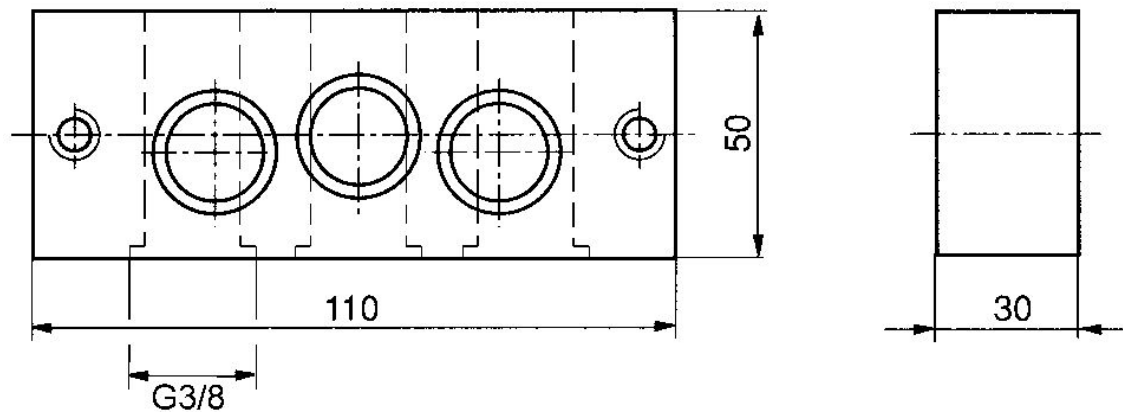


Supply plate



Frame size	Min. ambient temperature [°C]	Max. ambient temperature [°C]	Compressed air connection input	Compressed air connection, exhaust	Part No.
ISO 1	-25	70	G 3/8	G 3/8	8985041162

Dimensions

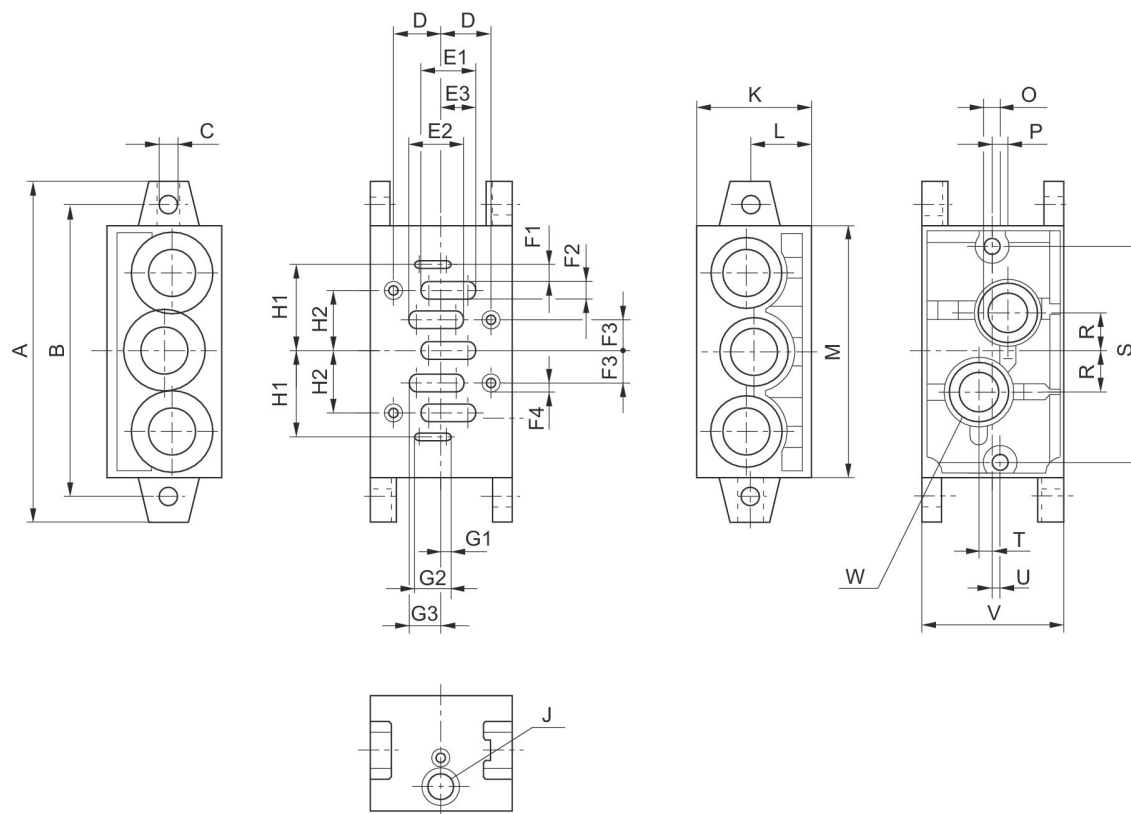


Base plate, ports 2 and 4 on bottom



Frame size	Min. ambient temperature [°C]	Max. ambient temperature [°C]	Compressed air connection output	Compressed air connection pilot air	Max. number of valve positions	Part No.
ISO 1	-25	70	G 1/4	G 1/8	1	1825503144

Dimensions

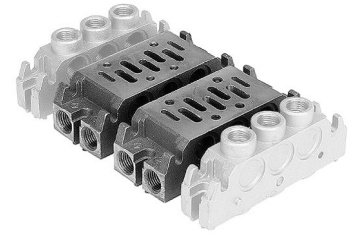


Part No.	A	B	C	D	E1	E2	E3	F1	F2
1825503144	110	95	5,5	14	16,5	16,5	11,25	3	4,5
1825503147	135	115	6,6	19	22	22	13,5	3	7
1825503150	190	168	9	24	29	29	16,5	4	10
8985041422	215	184	11	—	—	—	—	—	—

F3	F4	G1	G2	G3	H1	H2	J	K	L
9	M5	3	13,5	11,25	26,5	18	G 1/8	44	22
12	M6	3	14,5	13,5	34	24	G 1/8	45	24
16	M8	4	17,5	16,5	45	32	G 1/8	54	25
—	—	—	—	—	—	—	—	55	30

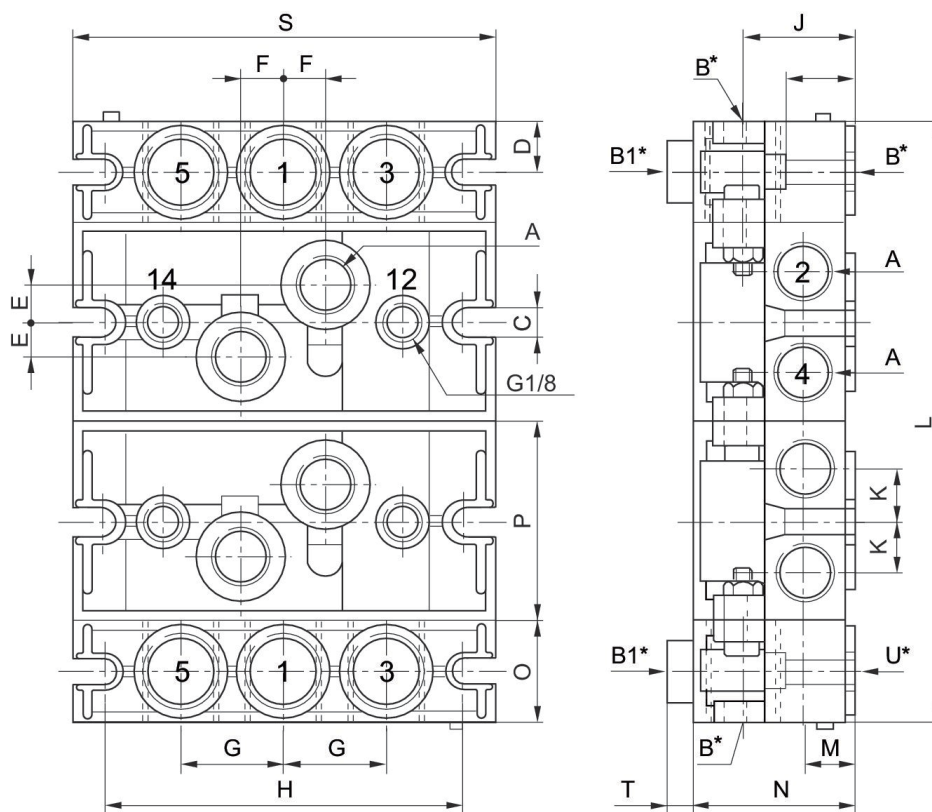
M	O	P	R	S	T	U	V	W
85	M5	7,5	13	71	1,5	3	43	G 1/4
100	M6	6	15	86	5	3	56	G 3/8
140	M8	8	19	130	6	3	71	G 1/2
142	M8	8	26	—	9	3	82	G 3/4

Base plate, Ports 2 and 4 side or bottom



Frame size	Min. ambient temperature [°C]	Max. ambient temperature [°C]	Compressed air connection input	Compressed air connection output	Compressed air connection, exhaust	Compressed air connection pilot air	Max. number of valve positions	Part No.
ISO 1	-20	70	G 1/4	G 1/4	G 1/4	G 1/8	1	580150000

Dimensions



Part No.		A	B	B1	C	D	E	F	G
5801500000	ISO 1	2 x G 1/4	3 x G 3/8	3 x G 1/4	5.5	11	5.5	9	22
5802500000	ISO 2	2 x G 3/8	3 x G 1/2	3 x G 3/8	6.5	14.5	10	12	29

Part No.	H	J	K	L	M	N	O	P	R
5801500000	92	24	12	n x 43 + 44	12	36	22	45.7	17
5802500000	102	32	15	n x 56 + 58	15	45.7	29	56	20

Part No.	S	T
5801500000	106	8
5802500000	120	7

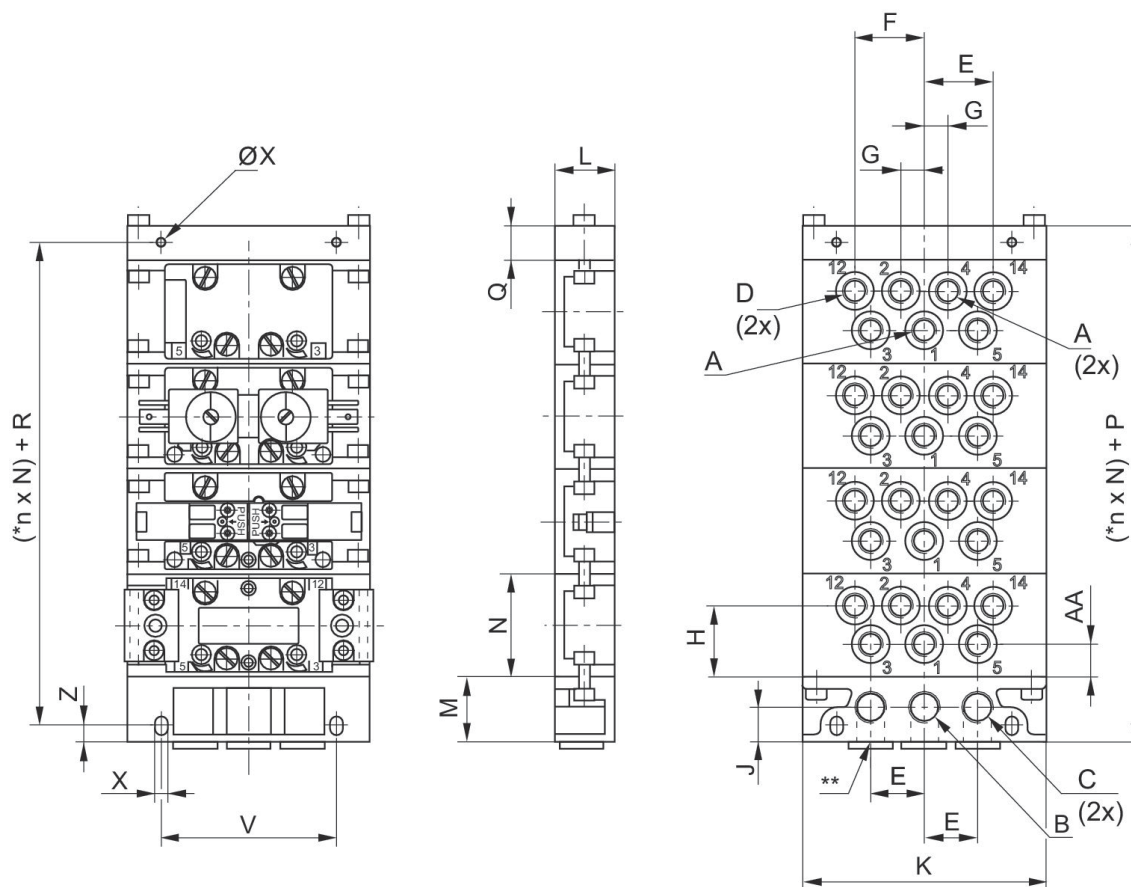
n = number of subbases

Base plate, ports 2 and 4 on bottom



Frame size	Min. ambient temperature [°C]	Max. ambient temperature [°C]	Compressed air connection output	Compressed air connection pilot air	Max. number of valve positions	Part No.
ISO 1	-20	70	G 1/8	G 1/8	1	5801720000
ISO 1	-20	70	G 1/4	G 1/8	1	5801750000

Dimensions



* n = Number of subbases. ** Alternative port openings, closed with plugs

Part No.	*		A	B	C	D	E	F	G
5801720000	a	ISO 1	G 1/8	G 1/4	G 1/4	G 1/8	22	28.5	9.5
5801750000	b	ISO 1	G 1/4	G 3/8	G 3/8	G 1/8	27	40	12.5
5802720000	b	ISO 2	G 1/4	G 3/8	G 3/8	G 1/8	27	39	13.5
5802750000	c	ISO 2	G 3/8	G 1/2	G 1/2	G 1/8	36	52	17
5803750000	d	ISO 3	G 1/2	G 3/4	G 3/4	G 1/8	44	62	20.5

H	J	K	L	M	N	P	Q	R	V
29.5	14.5	100	25	27	43	41	14	27.5	72
26.5	20	122	30	34	43	49	15	34	94
38	20	122	30	34	56	49	15	34	94
33	22	156	37	39	56	59	20	40	118
42	24	190	40	44	71	64	20	45	146

X	Z	AA
5.4	7	8
6.4	8	10
6.4	8	18
8.4	10	13
8.4	10	-

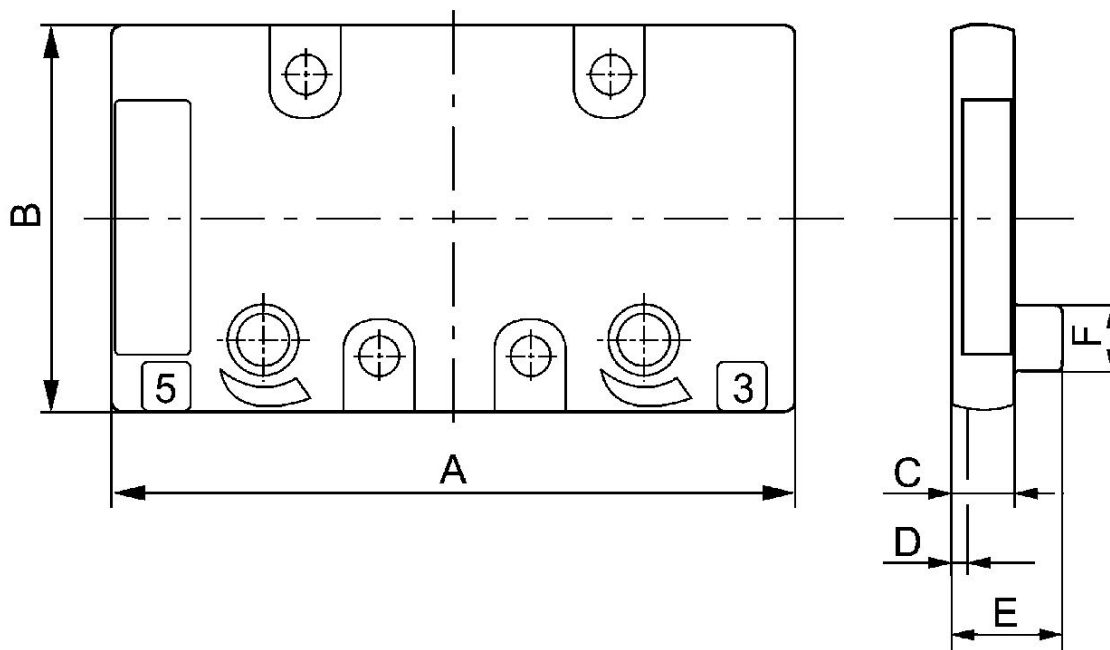
* Intermediate plates designated with the same letters (a-d) can be mounted together without a transition plate.

Blanking plate



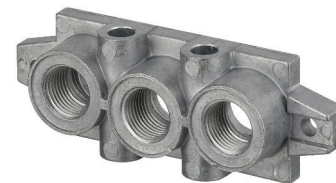
Frame size	Min. ambient temperature [°C]	Max. ambient temperature [°C]	Max. number of valve positions	Part No.
ISO 1	-20	70	1	5801870000
ISO 2	-20	70	1	5802870000
ISO 3	-20	70 </td <td>1</td> <td>5803870000</td>	1	5803870000
ISO 4	-20	70	1	5804870000

Dimensions

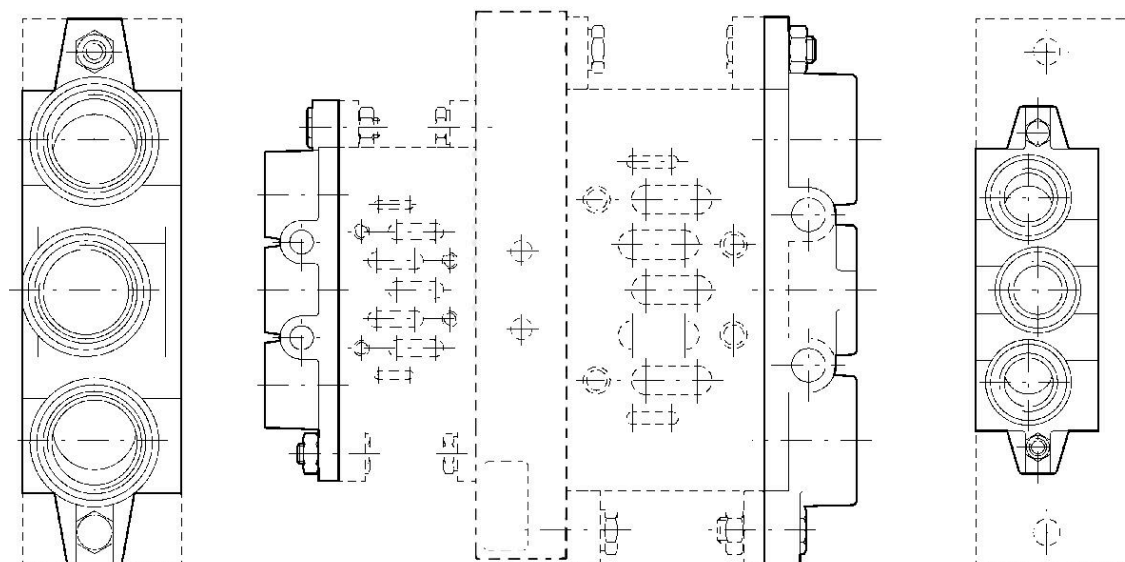


Part No.	A	B	C	D	E	F
5801870000	69	39	7	2	-	-
5802870000	86.4	49.4	9	2	-	-
5803870000	116.5	63.5	10	2	15	12
5804870000	142.5	74.5	10	2	20	15

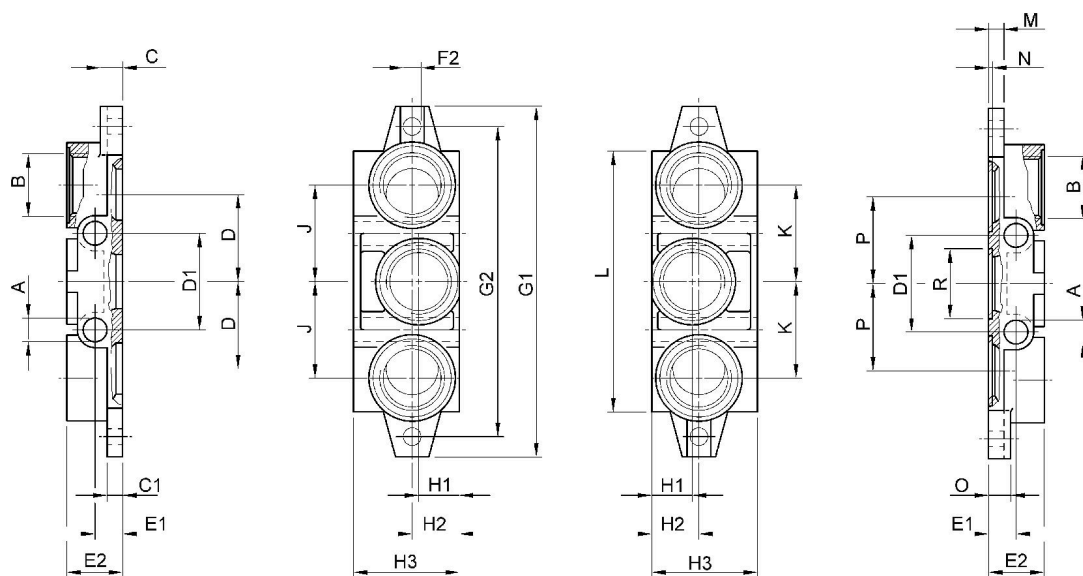
End plates for adapter plate



Frame size	Min. ambient temperature [°C]	Max. ambient temperature [°C]	Part No.
ISO 1, ISO 2	-15	70	1825503244
ISO 1, ISO 3	-15	70	1825503243
ISO 2, ISO 3	-15	70	1825503245



Dimensions



	A	B	C	C1	D	D1	E1	E2	F2
ISO 1	7	G 3/8	8	6	24	28	11	22	Ø 5,5
ISO 2	9	G 1/2	11	8	31,5	35	13	26	Ø 6,6
ISO 3	12	G 1	12	8	47	52	15	32	Ø 9

	G1	G2	H1	H2	H3	J	K	L	M	N
	110	95	22	22	46	28	28	85	6	2
	135	115	23	24	47	34	34	100	8	2
	190	168	22	25	56	52	52	140	8	2,7

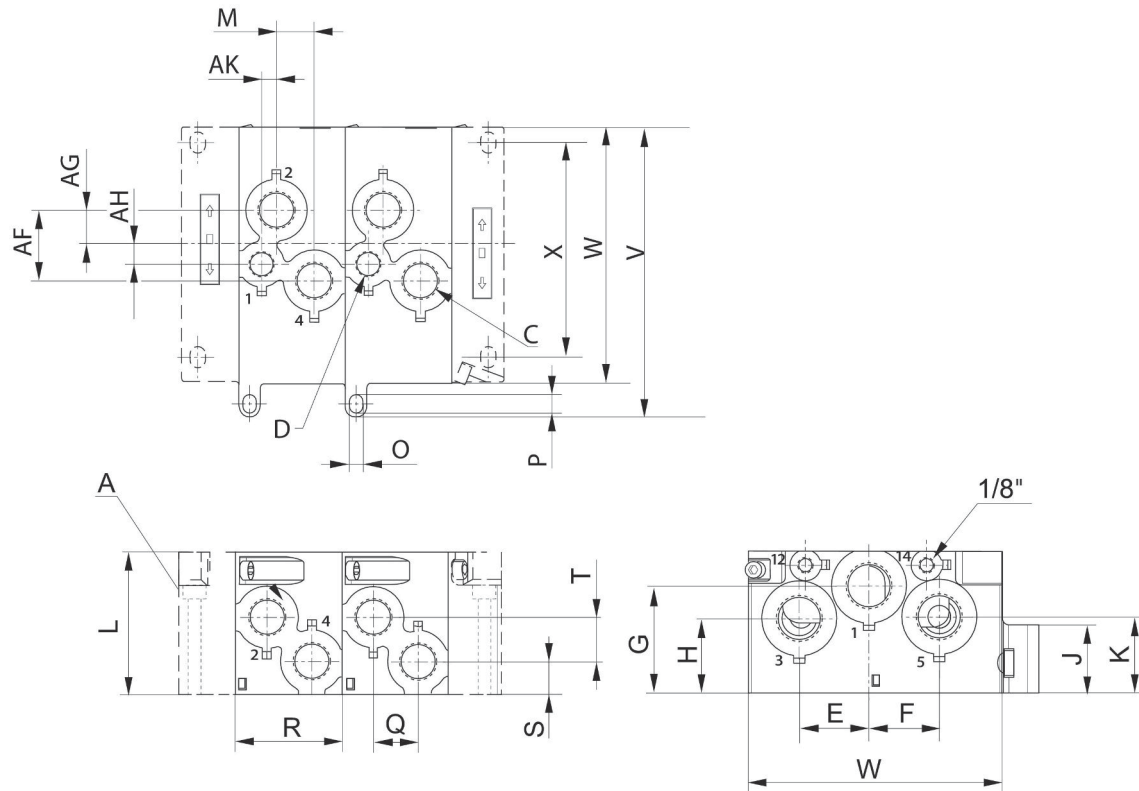
	O	P	R
	8	24	Ø 22,1
	11	31,5	Ø 28,7
	12	47	Ø 38

Base plate



Frame size	Min. ambient temperature [°C]	Max. ambient temperature [°C]	Compressed air connection output	Part No.
ISO 1	-20	70	G 3/8	R432037639
ISO 2	-20	70	G 1/2	R432037641
ISO 3	-20	70	G 3/4	R432037643

Dimensions



A = left and right end plates in two versions

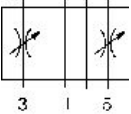
Part No.	A	D	C	AF	AG	AH	AK	E	F
R432037639	G 1/4	-	G 3/8	23.8	11.8	-	-	23	18
R432037641	G 1/2	G 3/8	G 1/2	39.5	19	11	8.2	39	39
R432037643	G 3/4	G 1/2	G 3/4	46.3	25.1	11.2	15.8	49	49

G	H	J	K	L	M	O	P	R	Q
15,5	30	20	37,5	60.6	12	5.5	8.5	45	18
60	41,5	38	42,5	79.7	21	5.5	9.3	59.5	25
76	53	32	53	100	22.5	6.3	9.3	80	38

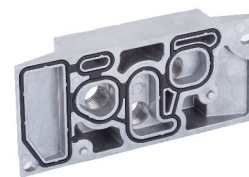
S	T	X	W	V
13.3	14.7	102,5	135	150
18	24.8	119,6	143	162,5
24.5	20.5	99	164	183

Throttle plate



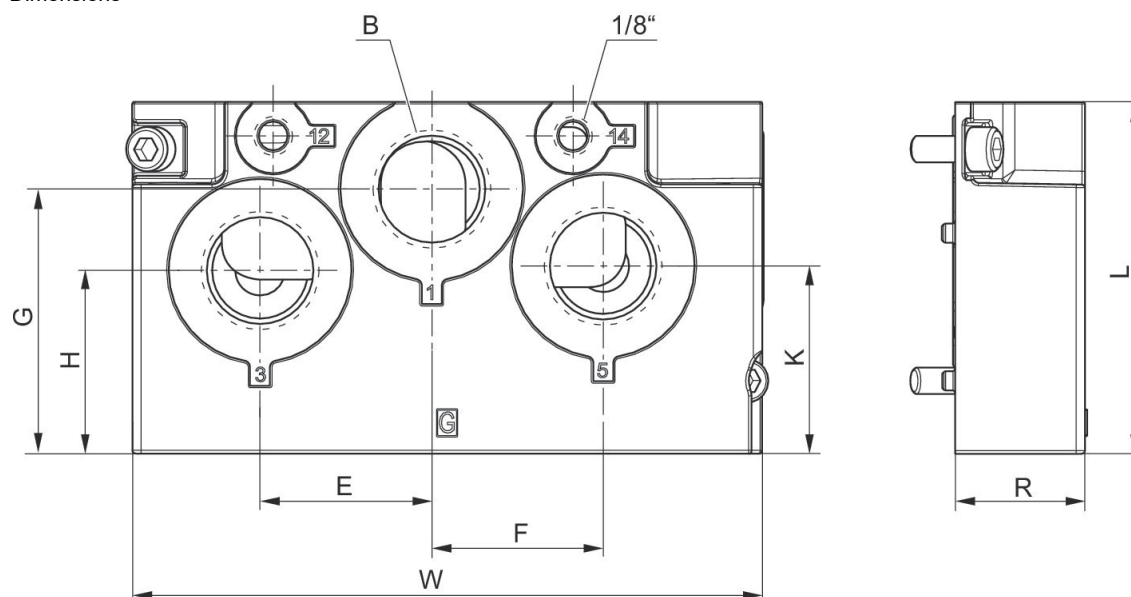
	Frame size	Min. ambient temperature [°C]	Max. ambient temperature [°C]	Part No.
 3 1 5	ISO 3	0	80	0821201025

End plate right



Frame size	Min. ambient temperature [°C]	Max. ambient temperature [°C]	Compressed air connection input	Compressed air connection, exhaust	Part No.
ISO 1	-15	70	G 3/8	G 3/8	R432037651
ISO 2	-15	70	G 3/4	G 3/4	R432037653
ISO 3	-15	70	G 1	G 1	R432037655

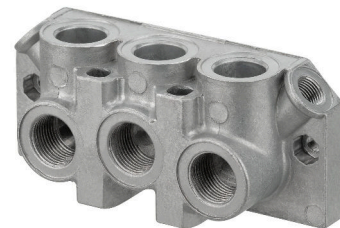
Dimensions



Part No.	B	E	F	G	H	J	K	R	L
R432037651	3/8	23	18	15.5	30	20	37.5	25	60.6
R432037653	3/4	39	39	60	41.5	38	42.5	29.5	79.7
R432037655	1	49	49	76	53	32	53	36	100

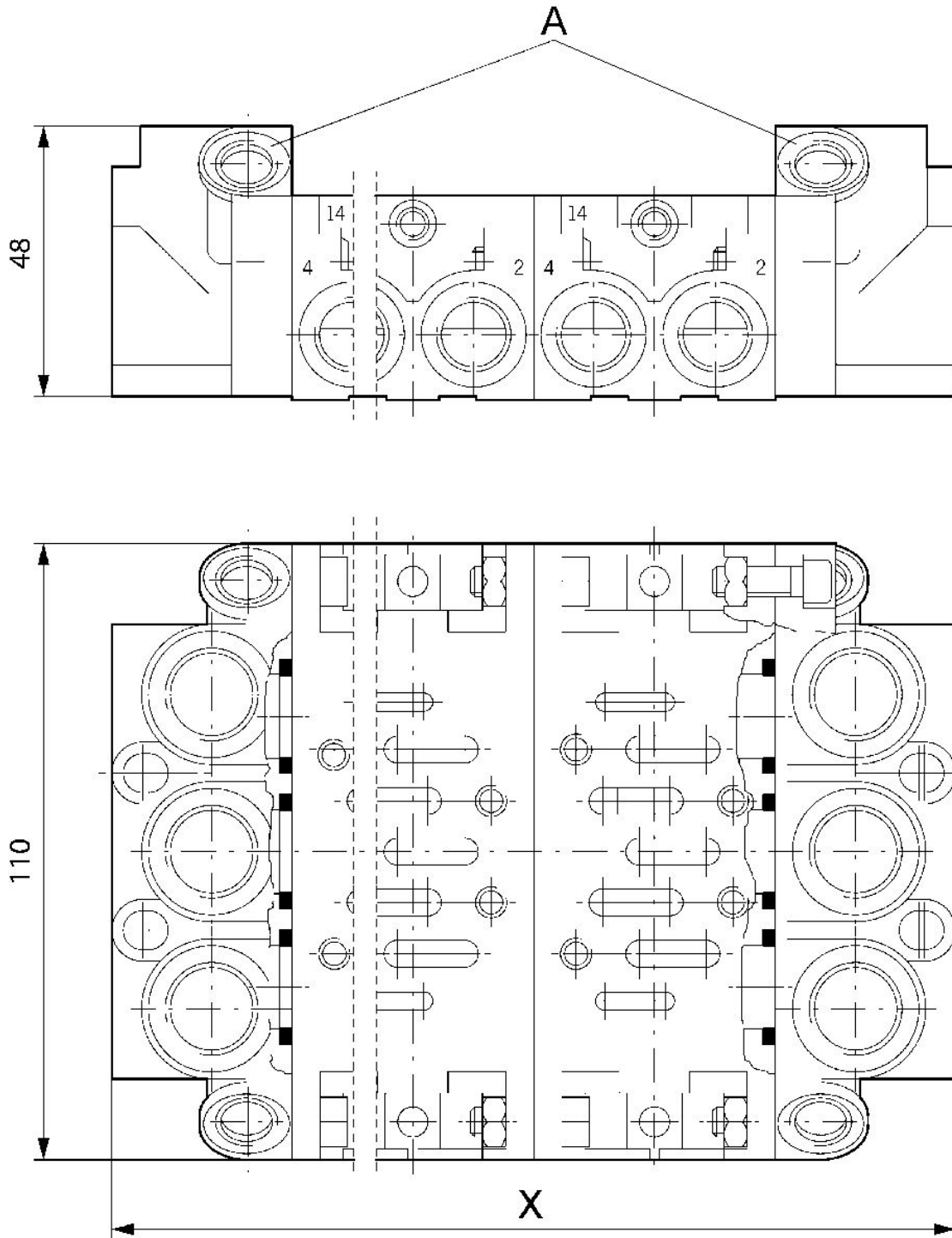
W
135
143
164

End plate left, End plate right



Frame size	Min. ambient temperature [°C]	Max. ambient temperature [°C]	Compressed air connection input	Compressed air connection, exhaust	Compressed air connection pilot air	Part No.
ISO 1	-15	70	G 3/8	G 3/8	G 1/8	1825503294

Dimensions

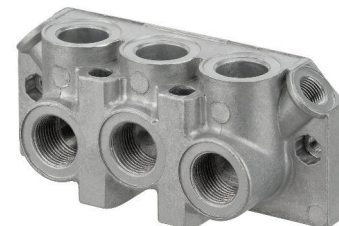


A = left and right end plates in two versions

n	2	3	4	...	n
X	150	193	236	...	$n \cdot 43 + 64$
tablefooter					

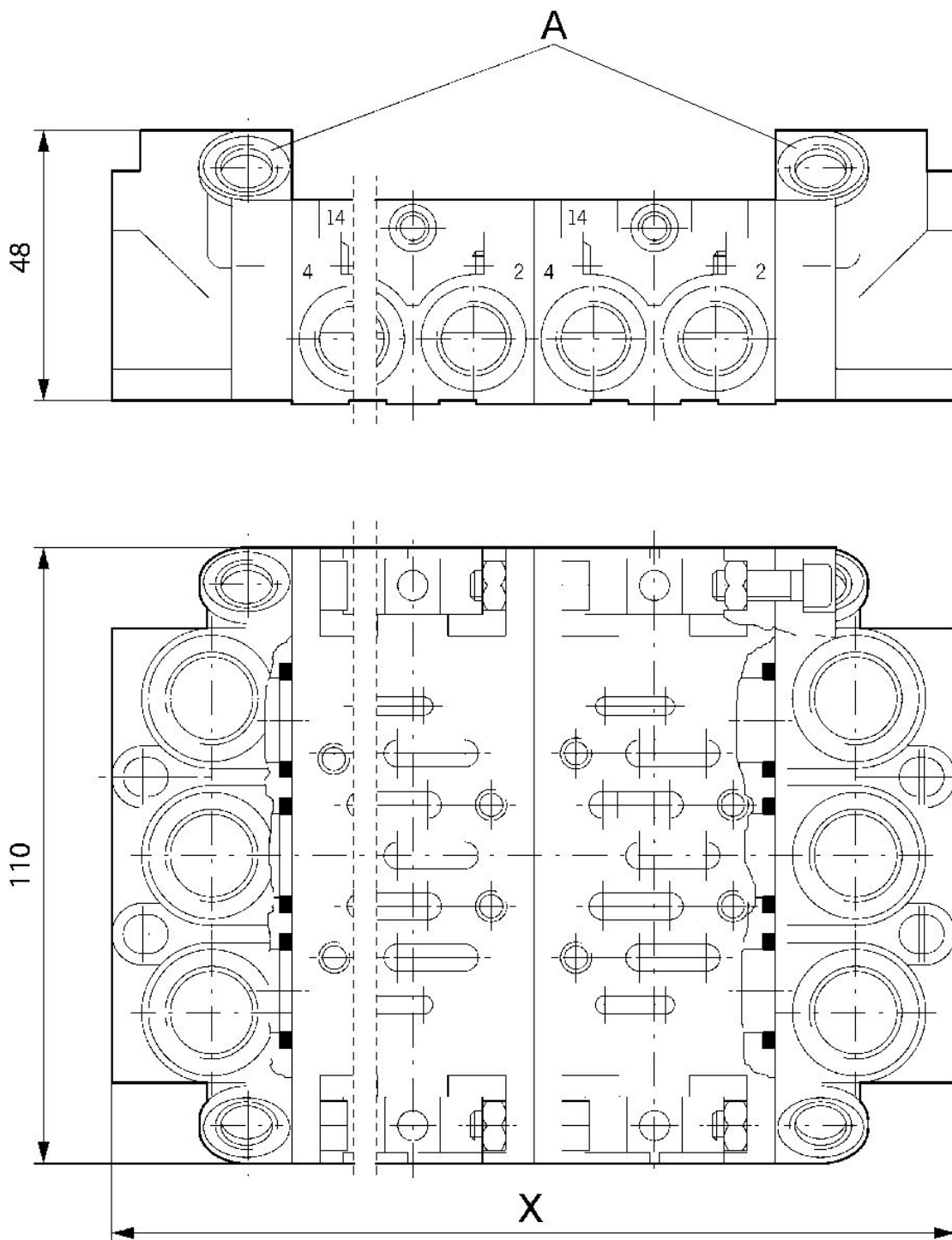
n = number of valve positions

End plate left, End plate right



Frame size	Min. ambient temperature [°C]	Max. ambient temperature [°C]	Compressed air connection input	Compressed air connection, exhaust	Compressed air connection pilot air	Part No.
ISO 1	-15	70	G 3/8	G 3/8	G 1/8	1825503297

Dimensions

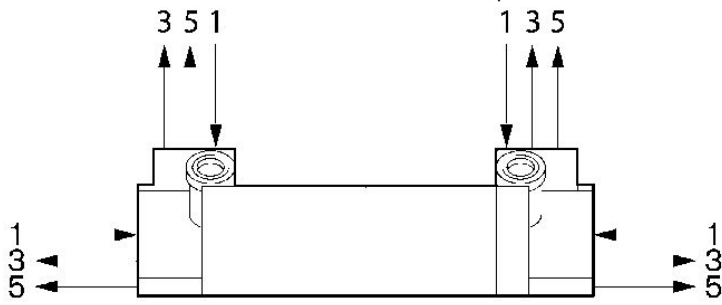


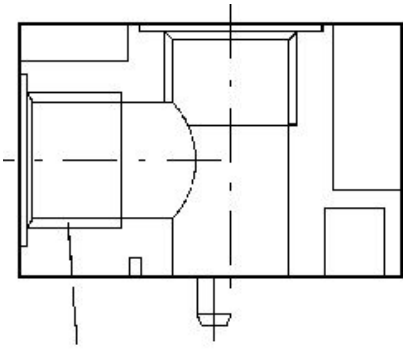
A = left and right end plates in two versions

n	2	3	4	...	n
X	150	193	236	...	$n \cdot 43 + 64$
tablefooter					

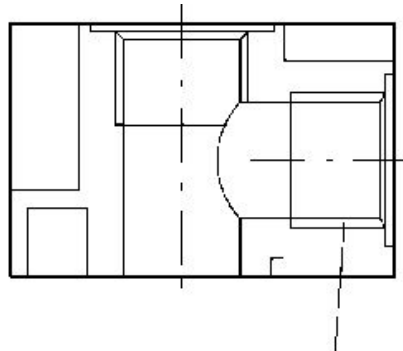
n = number of valve positions

Thread connections 1, 3, and 5 axial and from the top

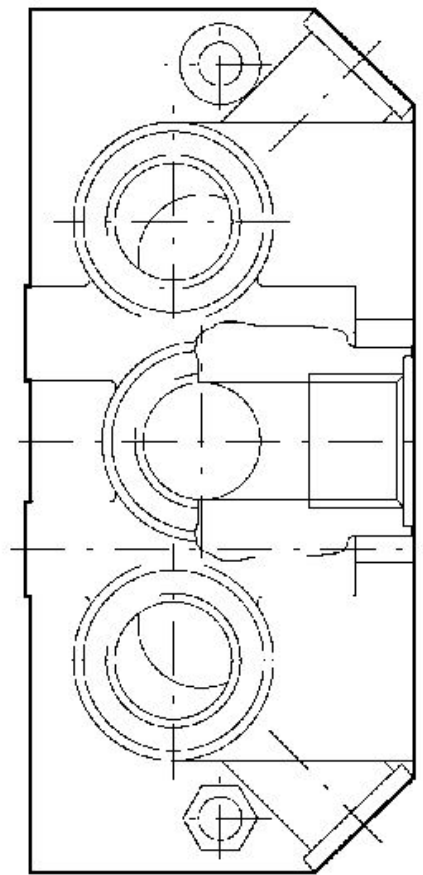
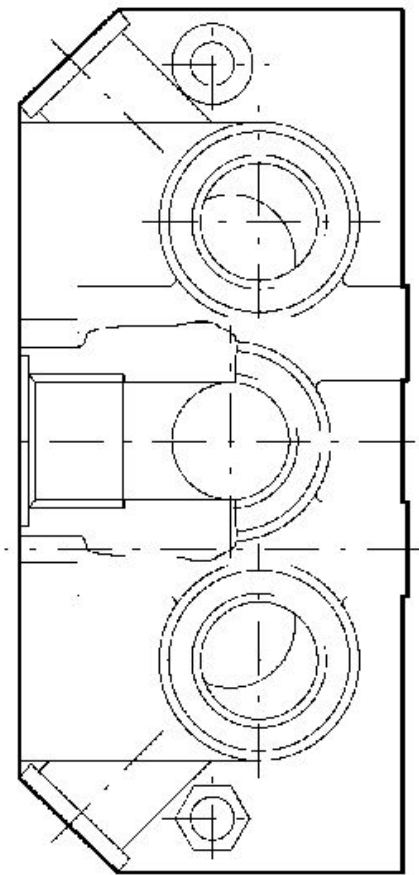




G3/8-12mm



G3/8-12mm

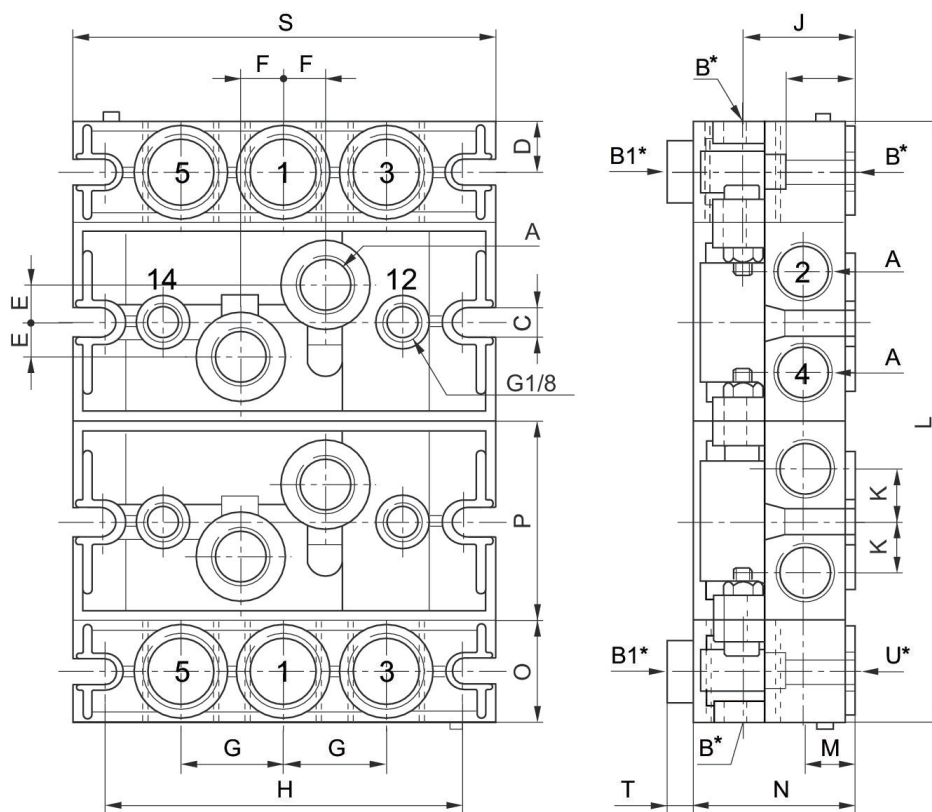


End plate left, End plate right



Frame size	Min. ambient temperature [°C]	Max. ambient temperature [°C]	Compressed air connection input	Compressed air connection, exhaust	Part No.
ISO 1	-20	70	G 3/8	G 3/8	5801510000

Dimensions



Part No.		A	B*	B1*	C	D	E	F	G
5801510000	ISO 1	2 x G 1/4	3 x G 3/8	3 x G 1/4	5.5	11	5.5	9	22
5802510000	ISO 2	2 x G 3/8	3 x G 1/2	3 x G 1/4	6.5	14.5	10	12	29

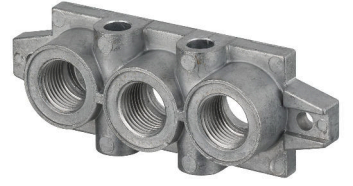
Part No.	H	J	K	L	M	N	O	P	R
5801510000	92	24	12	n x 43 + 44	12	36	22	45.7	17
5802510000	102	32	15	n x 56 + 58	15	43	29	56	20

Part No.	S	T	U*
5801510000	106	8	3 x G 3/8
5802510000	120	7	3 x G 1/2

n = number of subbases

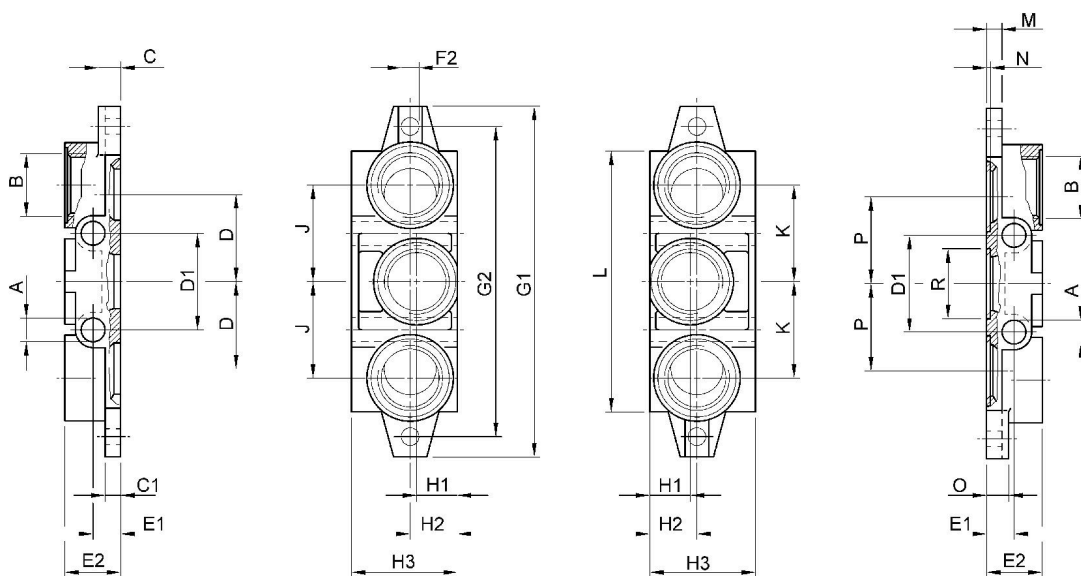
*Dimensions B, B1, and U are prepared with threaded connections but must be drilled through as required for the desired porting configuration.

End plate left, End plate right



Frame size	Min. ambient temperature [°C]	Max. ambient temperature [°C]	Compressed air connection input	Compressed air connection, exhaust	Part No.
ISO 1	-15	70	G 3/8	G 3/8	1825503145

Dimensions

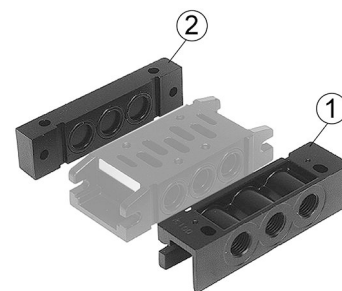


Part No.	A	B	C	C1	D	D1	E1	E2	F2
1825503145	7	G 3/8	8	6	24	28	11	22	Ø 5,5
1825503148	9	G 1/2	11	8	31,5	35	13	26	Ø 6,6
1825503151	12	G 1	12	8	47	52	15	32	Ø 9
8985041442	12	G 1	19	12	54	56	15	30	Ø 11

G1	G2	H1	H2	H3	J	K	L	M	N
110	95	22	22	46	28	28	85	6	2
135	115	23	24	47	34	34	100	8	2
190	168	22	25	56	52	52	140	8	2,7
215	148	30	30	58	54	54		12	2,7

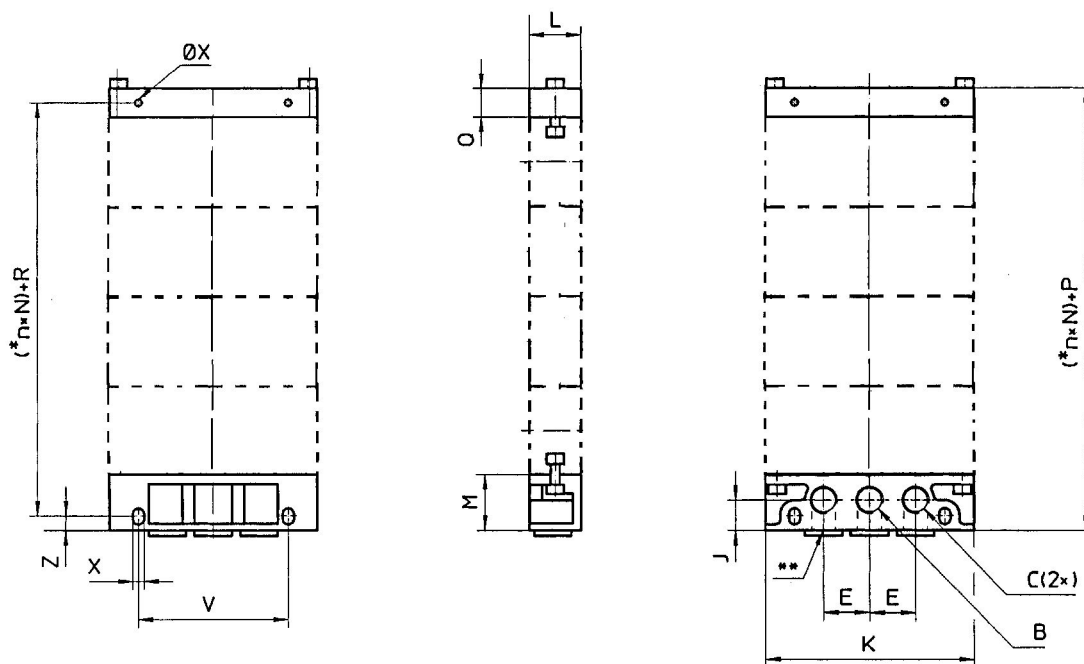
O	P	R
8	24	Ø 22,1
11	31,5	Ø 28,7
12	47	Ø 38
19	54	Ø 44,1

End plate left, End plate right



Frame size	Min. ambient temperature [°C]	Max. ambient temperature [°C]	Compressed air connection input	Compressed air connection, exhaust	Part No.
ISO 1	-20	70	G 1/4	G 1/4	5801850000
ISO 1	-20	70			5801860000

Dimensions



* n = Number of subbases. ** Alternative port openings, closed with plugs

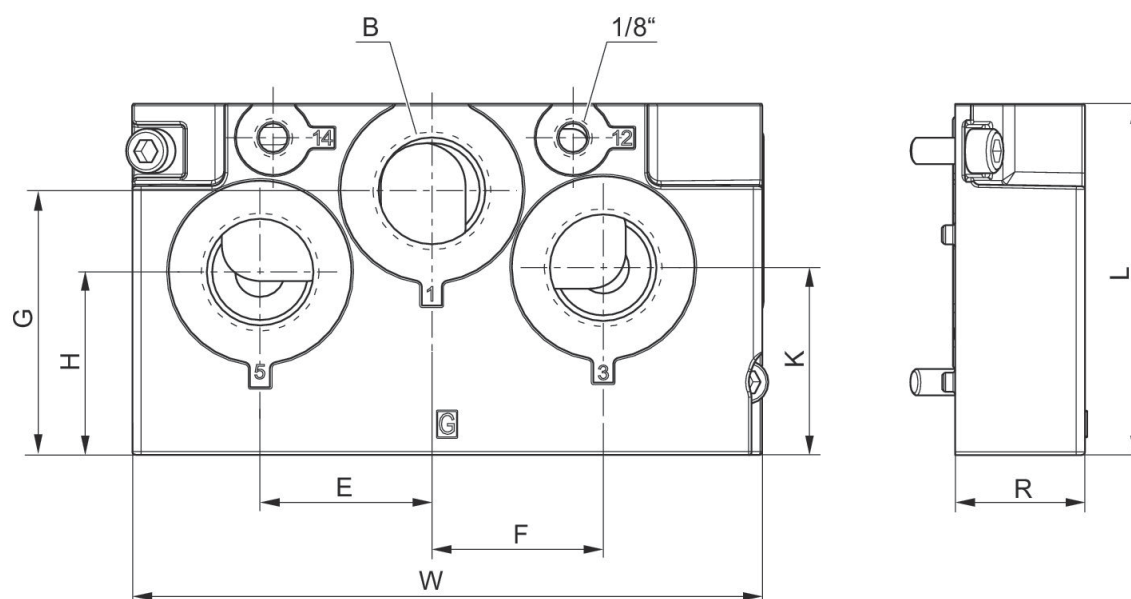
Part No.		B	C	E	J	K	L	M	P
5801850000	ISO 1	G 1/4	G 1/4	22	14.5	100	25	27	41
5801860000	ISO 1	-	-	-	-	100	25	-	41
5802850000	ISO 1 , ISO 2	G 3/8	G 3/8	27	20	122	30	34	49
5802860000	ISO 1 , ISO 2	-	-	-	-	122	29	-	49
5803850000	ISO 2 , ISO 3	G 1/2	G 1/2	36	22	156	37	39	59
5803860000	ISO 2 , ISO 3	-	-	-	-	156	37	-	59
5804850000	ISO 3 , ISO 4	G 3/4	G 3/4	44	24	190	42	44	64
5804860000	ISO 3 , ISO 4	-	-	-	-	190	42	-	64

Q	R	V	X	Z	Weight
-	27.5	72	5.4	7	
14	27.5	72	5.4	-	
-	34	94	6.4	8	
15	34	94	6.4	-	
-	40	118	8.4	10	
20	40	118	8.4	-	
-	45	146	8.4	10	
20	45	146	8.4	-	

End plate left



Frame size	Min. ambient temperature [°C]	Max. ambient temperature [°C]	Compressed air connection input	Compressed air connection, exhaust	Part No.
ISO 1	-15	70	G 3/8	G 3/8	R432037645
ISO 2	-15	70	G 3/4	G 3/4	R432037647
ISO 3	-15	70	G 1	G 1	R432037649



Part No.	B	E	F	G	H	J	K	L	R
R432037645	3/8	23	18	15.5	30	20	37.5	60.6	25
R432037647	3/4	39	39	60	41.5	38	42.5	79.7	32
R432037649	1	49	49	76	53	32	53	100	37

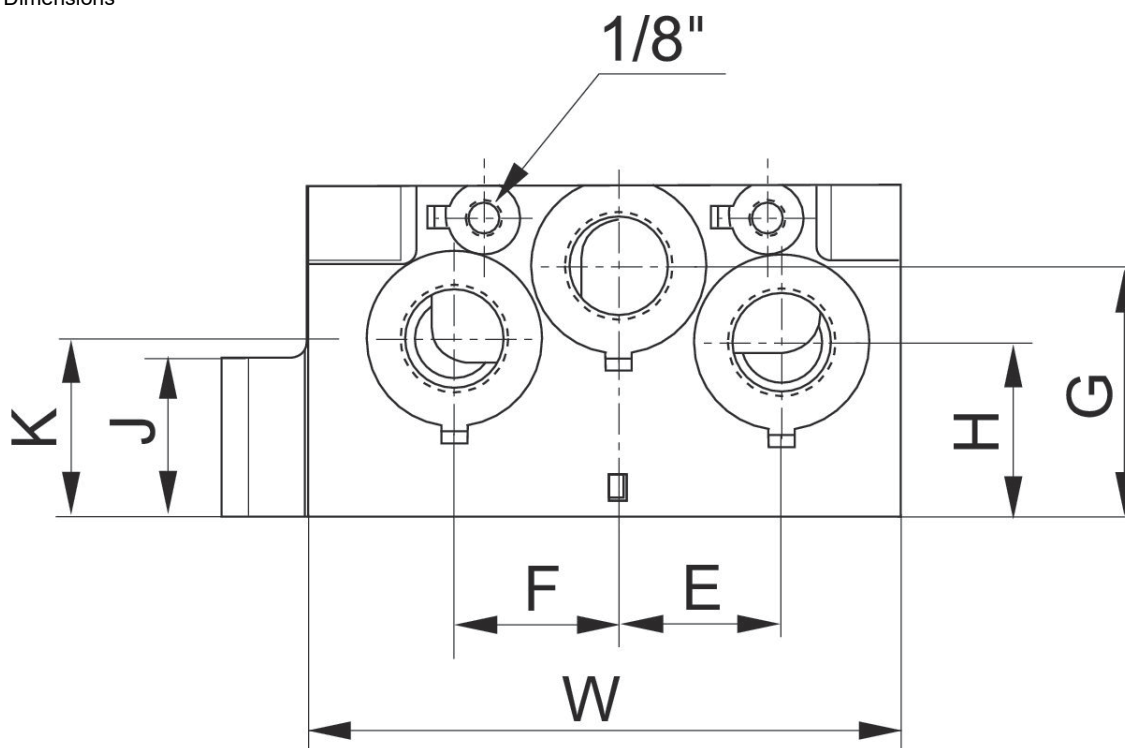
W
135
143
164

End plate left, Inch version



Frame size	Min. ambient temperature [°C]	Max. ambient temperature [°C]	Compressed air connection input	Compressed air connection, exhaust	Part No.
ISO 1	-15	70	3/8 NPT	3/8 NPT	R432037646
ISO 2	-15	70	3/4 NPT	3/4 NPT	R432037648
ISO 3	-15	70	1 NPT	1 NPT	R432037650

Dimensions



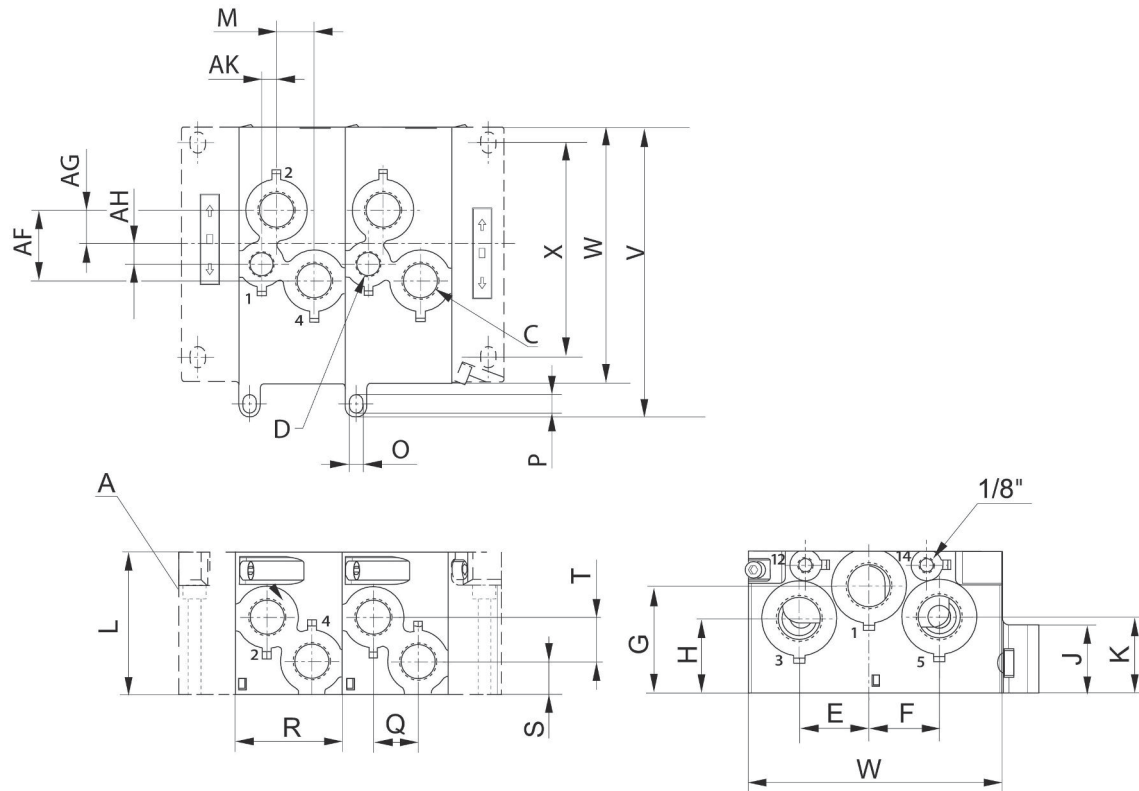
Part No.	E	F	G	H	J	K	W
R432037646	23	18	15.5	30	20	37.5	135
R432037648	39	39	60	41.5	38	42.5	143
R432037650	49	49	76	53	32	53	164

ISO 5599-1, Base and end plates, Inch version



Frame size	Min. ambient temperature [°C]	Max. ambient temperature [°C]	Compressed air connection output	Part No.
ISO 1	-20	70	3/8 NPT	R432037640
ISO 2	-20	70	1/2 NPT	R432037642
ISO 3	-20	70	3/4 NPT	R432037644

Dimensions

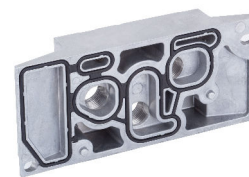


A = left and right end plates in two versions

Part No.	A	D	C	F	G	H	K	L	M
R432037640	1/4 NPT	-	3/8 NPT	23.8	11.8	-	-	60.6	12
R432037642	1/2 NPT	3/8 NPT	1/2 NPT	39.5	19	11	8.2	79.7	21
R432037644	3/4 NPT	1/2 NPT	3/4 NPT	46.3	25.1	11.2	15.8	100	22.5

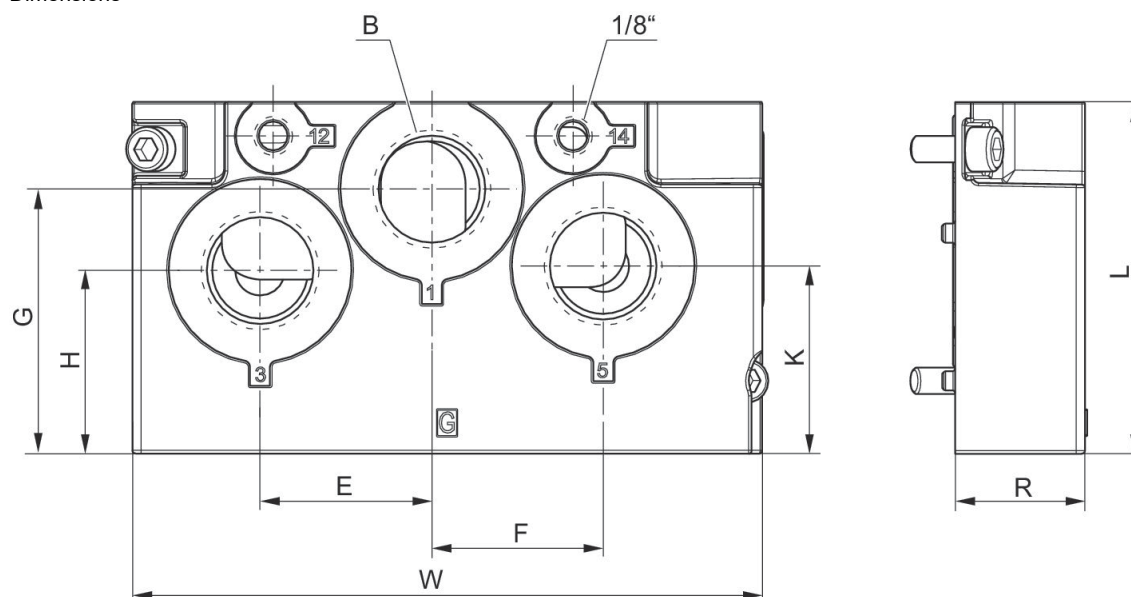
Part No.	O	P	R	Q	S	T
R432037640	5.5	8.5	45	18	13.3	14.7
R432037642	5.5	9.3	59.5	25	18	24.8
R432037644	6.3	9.3	80	38	24.5	20.5

End plate right, Inch version



Frame size	Min. ambient temperature [°C]	Max. ambient temperature [°C]	Compressed air connection input	Compressed air connection, exhaust	Part No.
ISO 1	-15	70	3/8 NPT	3/8 NPT	R432037652
ISO 2	-15	70	3/4 NPT	3/4 NPT	R432037654
ISO 3	-15	70	1 NPT	1 NPT	R432037656

Dimensions







Part No.	E	F	G	H	J	K	W
R432037652	23	18	15.5	30	20	37.5	135
R432037654	39	39	60	41.5	38	42.5	143
R432037656	49	49	76	53	32	53	53

Efficient pneumatic solutions, our program:
cylinders and drives, valves and valve systems,
air supply management, proportional pressure
control valves



Visit us: www.Emerson.com/aventics
Your local contact: Emerson.com/contactus

-  Emerson.com
-  Facebook.com/EmersonAutomationSolutions
-  LinkedIn.com/company/Emerson-Automation-Solutions
-  Twitter.com/EMR_Automation



The Emerson logo is a trademark and service mark of Emerson Electric Co. AVENTICS is a registered trademark of one of the Emerson family of companies. All other trademarks are the property of their respective owners. © 2020 Emerson Electric Co. All rights reserved.



CONSIDER IT SOLVED™