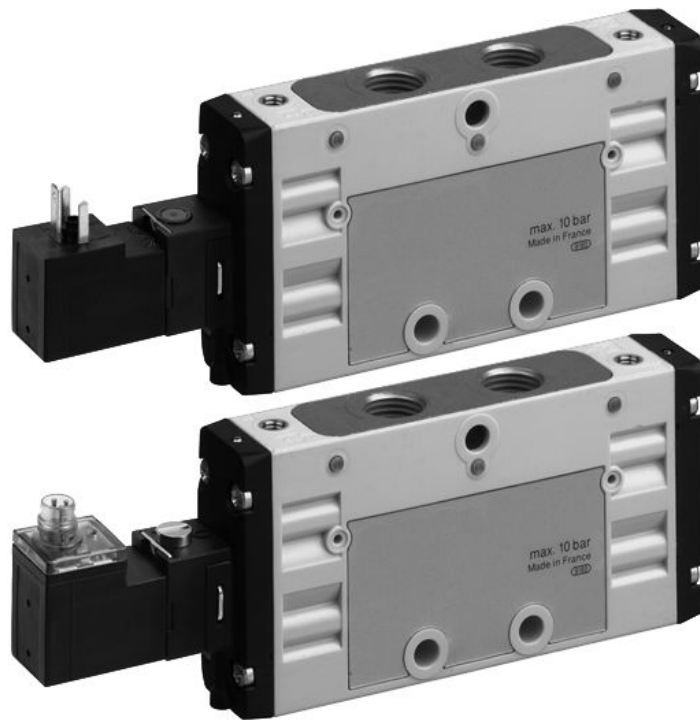


Series TC15



AVENTICS™

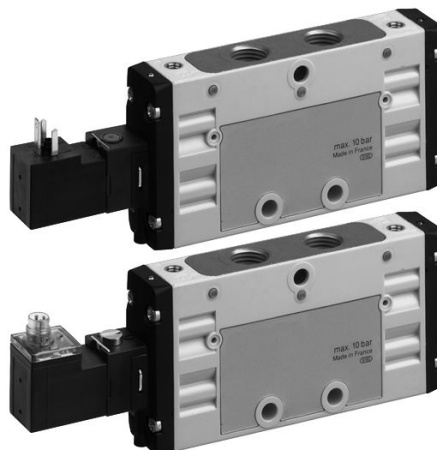
**AVENTICS series TC15
directional valves**


EMERSON™

AVENTICS series TC15 directional valves

The Series TC08/TC15 from AVENTICS includes a wide range of spool valves with housings made of high-performance polymers with robust and flexible metal inserts. It is designed for flow rate performances from 800 to 1,500 l/min. These directional valves are easy to assemble and ideal for applications that require maximum efficiency in tight spaces.

- Best-in-class flow-size ratio
- Large selection of electrical connections
- Electric or pneumatic operation
- Long service life
- Adjustable coil with four 90° positions



Product overview

	Page
Electrically operated, form C	
2x3/2-directional valve, Series TC15, without detent, AC.....	6
without detent	
2x3/2-directional valve, Series TC15, with detent, AC.....	9
with detent	
2x3/2-directional valve, Series TC15, without detent, DC.....	12
without detent	
2x3/2-directional valve, Series TC15, with detent, DC.....	14
with detent	
5/2-directional valve, Series TC15, with detent, AC.....	16
with detent	
5/2-directional valve, Series TC15, without detent, AC.....	18
without detent	
5/2-directional valve, Series TC15, with detent, DC.....	21
with detent	
5/2-directional valve, Series TC15, without detent, DC.....	23
without detent	
5/2-directional valve, Series TC15, double, without detent, AC.....	25
without detent	
5/2-directional valve, Series TC15, double,.....	27
with detent	
5/2-directional valve, Series TC15, double, without detent, DC.....	29
without detent	
5/2-directional valve, Series TC15, double, with detent, AC.....	31
with detent	
5/3-directional valve, Series TC15, double, without detent, AC.....	33
Double Solenoid - without detent	
5/3-directional valve, Series TC15, double, with detent, AC.....	36
Double Solenoid - with detent	
5/3-directional valve, Series TC15, double, without detent, DC.....	39
Double Solenoid - without detent	
5/3-directional valve, Series TC15, double, with detent, DC.....	41
Double Solenoid - with detent	
Electrically operated, form C, inch	
2x3/2-directional valve, Series TC15 - inch.....	43
with detent	
2x3/2-directional valve, Series TC15 - inch.....	47
with detent	
5/2-directional valve, Series TC15, with detent, DC.....	50
with detent	
5/2-directional valve, Series TC15, with detent, AC.....	53
with detent	
5/2-directional valve, Series TC15, double,.....	56
with detent	
5/2-directional valve, Series TC15, double, with detent, AC.....	59
with detent	
5/3-directional valve, Series TC15, double, with detent, AC.....	62
with detent	

Product overview

	Page
5/3-directional valve, Series TC15, double, with detend, DC..... with detent	66
Electrically operated, M8, 3-pin	
2x3/2-directional valve, Series TC15, with detent..... with detent	69
5/2-directional valve, Series TC15, double,..... with detent	71
5/2-directional valve, Series TC15, with detent, DC..... with detent	74
5/3-directional valve, Series TC15..... Double Solenoid - with detent	77
Electrically operated, M8, 4-pin	
2x3/2-directional valve, Series TC15, with detent..... with detent	80
2x3/2-directional valve, Series TC15, without detent..... without detent	82
5/2-directional valve, Series TC15, double,..... without detent	84
5/2-directional valve, Series TC15, double,..... with detent	87
5/2-directional valve, Series TC15, without detent, DC..... without detent	90
5/2-directional valve, Series TC15, with detent, DC..... with detent	93
5/3-directional valve, Series TC15, double, without detent, DC..... Double Solenoid - without detent	96
5/3-directional valve, Series TC15, double, with detend, DC..... Double Solenoid - with detent	99
Pneumatically operated	
2x3/2-directional valve, Series TC15.....	102
5/2-directional valve, Series TC15..... Double Air Pilot	105
5/3-directional valve, Series TC15.....	108
Accessories overview TC15	
Valve plug connector, series CON-VP, form C, 300 V DC / 250 V AC.....	111
Valve plug connector, series CON-VP, 0° female insert..... Z-diode - 24 V AC/DC	113
Valve plug connector, series CON-VP, form C, 24 V AC/DC.....	116
Round plug connector, Series CON-RD..... Socket - M8x1 - 3-pin - straight - Soldering	118
Round plug connector, Series CON-RD..... Socket - M8x1 - 3-pin - angled - Soldering	119
Round plug connector, Series CON-RD..... Socket - M8x1 - 3-pin - straight - open cable ends - 3-pin	120
Round plug connector, Series CON-RD..... Socket - M8x1 - 3-pin - angled - open cable ends - 3-pin	122
Round plug connector, Series CON-RD, open cable ends, straight, 4-pin..... Socket - M8x1 - 4-pin - straight - open cable ends - 4-pin	124

Product overview

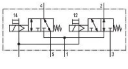
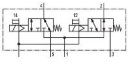
	Page
Round plug connector, Series CON-RD, Plug M8x1, 4-pin.....	126
Socket - M8x1 - 4-pin - angled - open cable ends - 4-pin	
Coil, Series CO1.....	128
Polyamide - 3-pin	
Coil, Series CO1.....	130
M8x1 - Polyamide	
Manifold strip, Series TC15.....	132
Mounting bracket kit, TC15 series.....	136
Mounting kit	
Blanking plate, TC15 series.....	137
Manifold strip, Series TC15.....	138
Manifold strip, Series TC15.....	142
Manifold strip, Series TC15.....	147
Manifold strip, Series TC15.....	152
Manifold strip, Series TC15.....	157
Manifold strip, Series TC15.....	162
Manifold strip, Series TC15.....	167
Mounting clip.....	172
Mounting bracket.....	173

2x3/2-directional valve, Series TC15, without detent, AC

Flow: 1100 l/min
 Activation: Electrically
 Manual override: without detent
 Duty cycle: 100 %
 Type: Spool valve, positive overlapping
 Ambient temperature min./max.: -10 °C ... 50 °C
 Medium temperature min./max.: -10 °C ... 50 °C
 Control pressure min./max.: 3 bar ... 10 bar
 Working pressure min./max.: 10 bar



	Valve function	Switching principle	MO	Compressed air connection input	Compressed air connection output	Min. working pressure [bar]	Max. working pressure [bar]	Part No.
	NC/NC	2x 3/2 NC/NC, with spring return	without detent	G 1/4	G 1/4	3	10	R422102157
	NC/NC	2x 3/2 NC/NC, with spring return	without detent	G 1/4	G 1/4	3	10	R422102159
	NC/NC	2x 3/2 NC/NC, with spring return	without detent	G 1/4	G 1/4	3	10	R422102160
	NO/NO	2x 3/2 NO/NO, with spring return	without detent	G 1/4	G 1/4	3	10	R422102161
	NO/NO	2x 3/2 NO/NO, with spring return	without detent	G 1/4	G 1/4	3	10	R422102163
	NO/NO	2x 3/2 NO/NO, with spring return	without detent	G 1/4	G 1/4	3	10	R422102164
	NC/NO	2x 3/2 NC/NO, with spring return	without detent	G 1/4	G 1/4	3	10	R422102165
	NC/NO	2x 3/2 NC/NO, with spring return	without detent	G 1/4	G 1/4	3	10	R422102167
	NC/NO	2x 3/2 NC/NO, with spring return	without detent	G 1/4	G 1/4	3	10	R422102168
	NC/NC	2x 3/2 NC/NC, with spring return	without detent	G 1/4	G 1/4	-0.9	10	R422102170
	NC/NC	2x 3/2 NC/NC, with spring return	without detent	G 1/4	G 1/4	-0.9	10	R422102171
	NO/NO	2x 3/2 NO/NO, with spring return	without detent	G 1/4	G 1/4	-0.9	10	R422102173
	NO/NO	2x 3/2 NO/NO, with spring return	without detent	G 1/4	G 1/4	-0.9	10	R422102174

	Valve function	Switching principle	MO	Compressed air connection input	Compressed air connection output	Min. working pressure [bar]	Max. working pressure [bar]	Part No.
	NC/NO	2x 3/2 NC/NO, with spring return	without detent	G 1/4	G 1/4	-0.9	10	R422102176
	NC/NO	2x 3/2 NC/NO, with spring return	without detent	G 1/4	G 1/4	-0.9	10	R422102177



Operational voltage	Pilot	Flow Qn [l/min]	Min. control pressure [bar]	Max. control pressure [bar]	Part No.
24 V AC	Internal	1100	3	10	R422102157
110 V AC	Internal	1100	3	10	R422102159
230 V AC	Internal	1100	3	10	R422102160
24 V AC	Internal	1100	3	10	R422102161
110 V AC	Internal	1100	3	10	R422102163
230 V AC	Internal	1100	3	10	R422102164
24 V AC	Internal	1100	3	10	R422102165
110 V AC	Internal	1100	3	10	R422102167
230 V AC	Internal	1100	3	10	R422102168
110 V AC	External	1100	3	10	R422102170
230 V AC	External	1100	3	10	R422102171
110 V AC	External	1100	3	10	R422102173
230 V AC	External	1100	3	10	R422102174
110 V AC	External	1100	3	10	R422102176
230 V AC	External	1100	3	10	R422102177

2x3/2-directional valve, Series TC15, with detent, AC

Flow: 1100 l/min
 Activation: Electrically
 Manual override: with detent
 Duty cycle: 100 %
 Type: Spool valve, positive overlapping
 Ambient temperature min./max.: -10 °C ... 50 °C
 Medium temperature min./max.: -10 °C ... 50 °C
 Control pressure min./max.: 3 bar ... 10 bar
 Working pressure min./max.: 10 bar

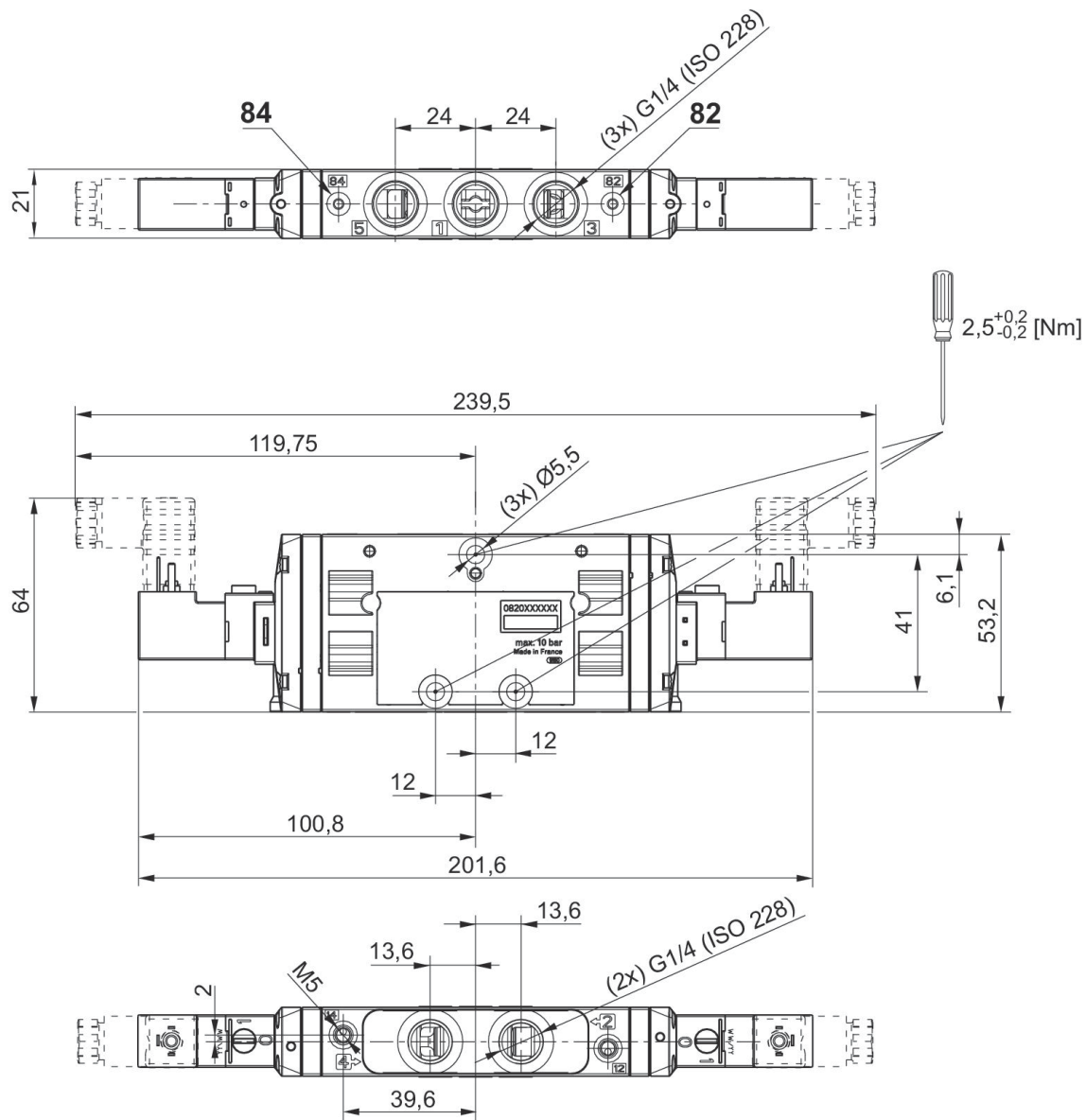


	Valve function	Switching principle	MO	Compressed air connection input	Compressed air connection output	Min. working pressure [bar]	Max. working pressure [bar]	Part No.
	NC/NC	2x 3/2 NC/NC, with spring return	with detent	G 1/4	G 1/4	3	10	R422102136
	NC/NC	2x 3/2 NC/NC, with spring return	with detent	G 1/4	G 1/4	3	10	R422102138
	NC/NC	2x 3/2 NC/NC, with spring return	with detent	G 1/4	G 1/4	3	10	R422102139
	NO/NO	2x 3/2 NO/NO, with spring return	with detent	G 1/4	G 1/4	3	10	R422102140
	NO/NO	2x 3/2 NO/NO, with spring return	with detent	G 1/4	G 1/4	3	10	R422102142
	NO/NO	2x 3/2 NO/NO, with spring return	with detent	G 1/4	G 1/4	3	10	R422102143
	NC/NO	2x 3/2 NC/NO, with spring return	with detent	G 1/4	G 1/4	3	10	R422102144
	NC/NO	2x 3/2 NC/NO, with spring return	with detent	G 1/4	G 1/4	3	10	R422102146
	NC/NO	2x 3/2 NC/NO, with spring return	with detent	G 1/4	G 1/4	3	10	R422102147
	NC/NC	2x 3/2 NC/NC, with spring return	with detent	G 1/4	G 1/4	-0.9	10	R422102149
	NC/NC	2x 3/2 NC/NC, with spring return	with detent	G 1/4	G 1/4	-0.9	10	R422102150
	NO/NO	2x 3/2 NO/NO, with spring return	with detent	G 1/4	G 1/4	-0.9	10	R422102152
	NO/NO	2x 3/2 NO/NO, with spring return	with detent	G 1/4	G 1/4	-0.9	10	R422102153

	Valve function	Switching principle	MO	Compressed air connection input	Compressed air connection output	Min. working pressure [bar]	Max. working pressure [bar]	Part No.
	NC/NO	2x 3/2 NC/NO, with spring return	with detent	G 1/4	G 1/4	-0.9	10	R422102155
	NC/NO	2x 3/2 NC/NO, with spring return	with detent	G 1/4	G 1/4	-0.9	10	R422102156

Operational voltage	Pilot	Flow Qn [l/min]	Min. control pressure [bar]	Max. control pressure [bar]	Part No.
24 V AC	Internal	1100	3	10	R422102136
110 V AC	Internal	1100	3	10	R422102138
230 V AC	Internal	1100	3	10	R422102139
24 V AC	Internal	1100	3	10	R422102140
110 V AC	Internal	1100	3	10	R422102142
230 V AC	Internal	1100	3	10	R422102143
24 V AC	Internal	1100	3	10	R422102144
110 V AC	Internal	1100	3	10	R422102146
230 V AC	Internal	1100	3	10	R422102147
110 V AC	External	1100	3	10	R422102149
230 V AC	External	1100	3	10	R422102150
110 V AC	External	1100	3	10	R422102152
230 V AC	External	1100	3	10	R422102153
110 V AC	External	1100	3	10	R422102155
230 V AC	External	1100	3	10	R422102156

Dimensions



2x3/2-directional valve, Series TC15, without detent, DC

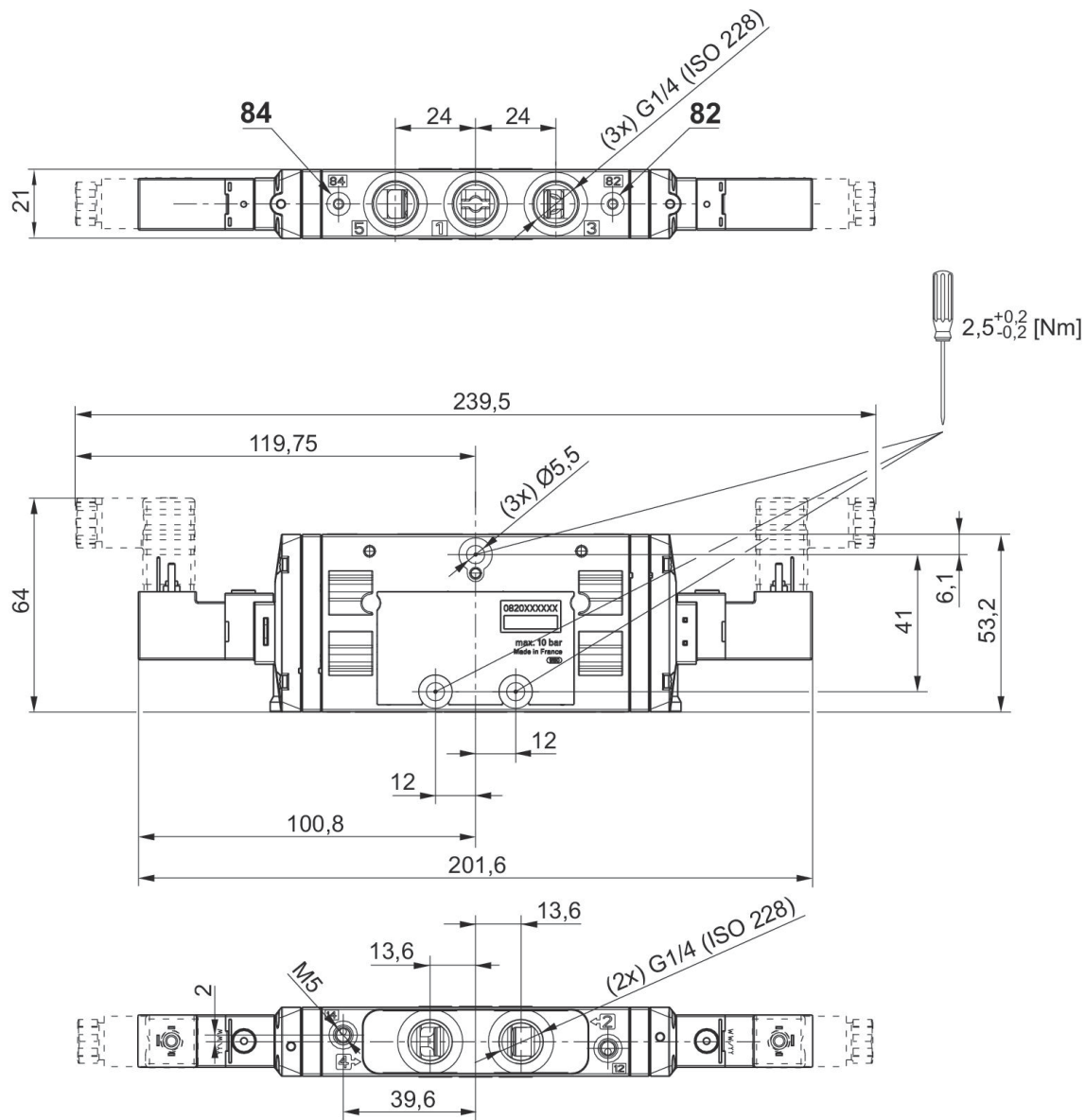
Flow: 1100 l/min
 Activation: Electrically
 Manual override: without detent
 Duty cycle: 100 %
 Type: Spool valve, positive overlapping
 Ambient temperature min./max.: -10 °C ... 50 °C
 Medium temperature min./max.: -10 °C ... 50 °C
 Control pressure min./max.: 3 bar ... 10 bar
 Working pressure min./max.: 10 bar



	Valve function	Switching principle	MO	Compressed air connection input	Compressed air connection output	Min. working pressure [bar]	Max. working pressure [bar]	Part No.
	NC/NC	2x 3/2 NC/NC, with spring return	without detent	G 1/4	G 1/4	3	10	R422102158
	NO/NO	2x 3/2 NO/NO, with spring return	without detent	G 1/4	G 1/4	3	10	R422102162
	NC/NO	2x 3/2 NC/NO, with spring return	without detent	G 1/4	G 1/4	3	10	R422102166
	NC/NC	2x 3/2 NC/NC, with spring return	without detent	G 1/4	G 1/4	-0.9	10	R422102169
	NO/NO	2x 3/2 NO/NO, with spring return	without detent	G 1/4	G 1/4	-0.9	10	R422102172
	NC/NO	2x 3/2 NC/NO, with spring return	without detent	G 1/4	G 1/4	-0.9	10	R422102175

Operational voltage	Pilot	Power consumption DC [W]	Flow Qn [l/min]	Min. control pressure [bar]	Max. control pressure [bar]	Part No.
24 V DC	Internal	2	1100	3	10	R422102158
24 V DC	Internal	2	1100	3	10	R422102162
24 V DC	Internal	2	1100	3	10	R422102166
24 V DC	External	2	1100	3	10	R422102169
24 V DC	External	2	1100	3	10	R422102172
24 V DC	External	2	1100	3	10	R422102175

Dimensions



2x3/2-directional valve, Series TC15, with detent, DC

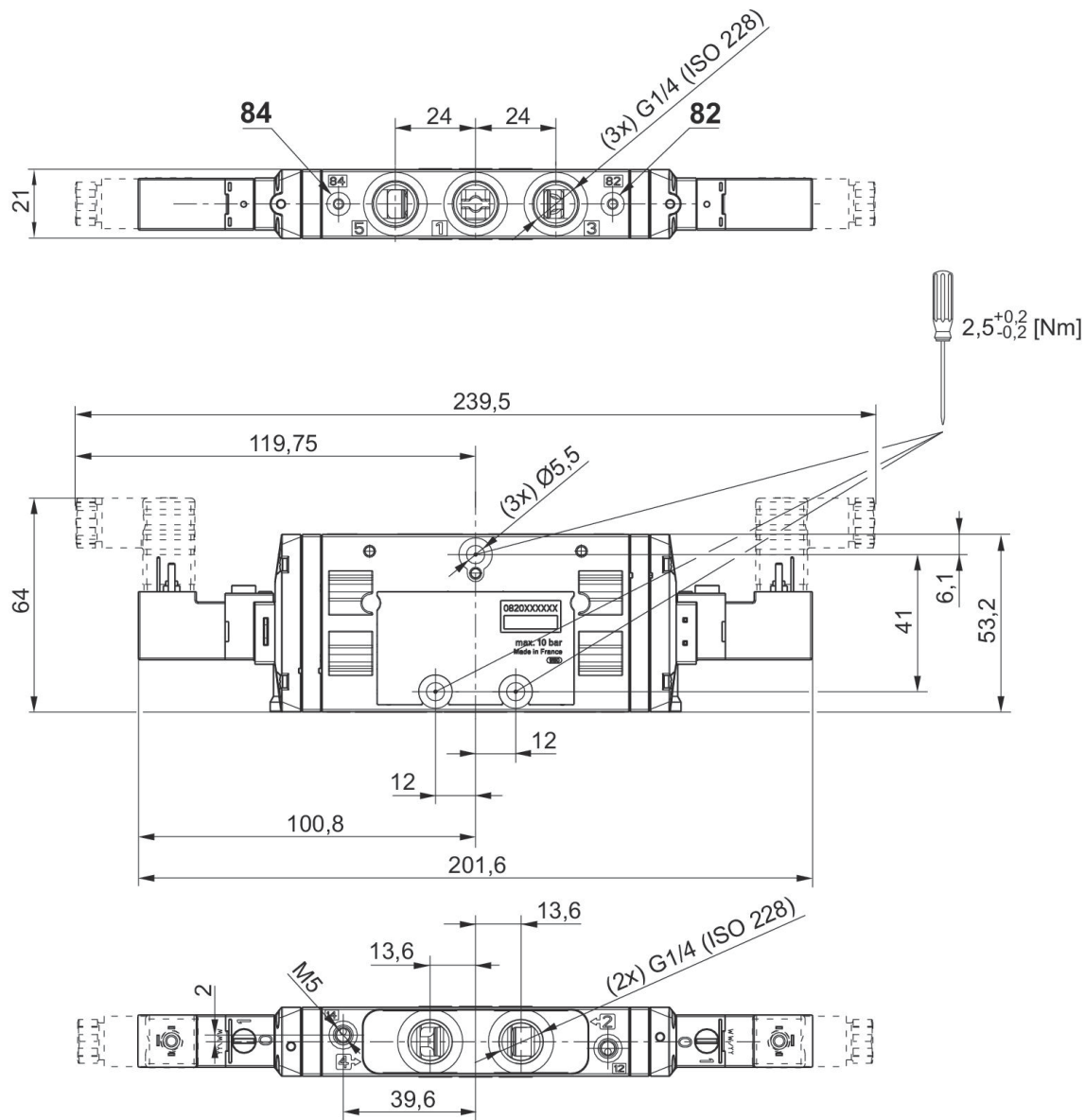
Flow: 1100 l/min
 Activation: Electrically
 Manual override: with detent
 Duty cycle: 100 %
 Type: Spool valve, positive overlapping
 Ambient temperature min./max.: -10 °C ... 50 °C
 Medium temperature min./max.: -10 °C ... 50 °C
 Control pressure min./max.: 3 bar ... 10 bar
 Working pressure min./max.: 10 bar



	Valve function	Switching principle	MO	Compressed air connection input	Compressed air connection output	Min. working pressure [bar]	Max. working pressure [bar]	Part No.
	NC/NC	2x 3/2 NC/NC, with spring return	with detent	G 1/4	G 1/4	3	10	R422102137
	NO/NO	2x 3/2 NO/NO, with spring return	with detent	G 1/4	G 1/4	3	10	R422102141
	NC/NO	2x 3/2 NC/NO, with spring return	with detent	G 1/4	G 1/4	3	10	R422102145
	NC/NC	2x 3/2 NC/NC, with spring return	with detent	G 1/4	G 1/4	-0.9	10	R422102148
	NO/NO	2x 3/2 NO/NO, with spring return	with detent	G 1/4	G 1/4	-0.9	10	R422102151
	NC/NO	2x 3/2 NC/NO, with spring return	with detent	G 1/4	G 1/4	-0.9	10	R422102154

Operational voltage	Pilot	Power consumption DC [W]	Flow Qn [l/min]	Min. control pressure [bar]	Max. control pressure [bar]	Part No.
24 V DC	External, Internal	2	1100	3	10	R422102137
24 V DC	External, Internal	2	1100	3	10	R422102141
24 V DC	External, Internal	2	1100	3	10	R422102145
24 V DC	External, Internal	2	1100	3	10	R422102148
24 V DC	External, Internal	2	1100	3	10	R422102151
24 V DC	External, Internal	2	1100	3	10	R422102154

Dimensions



5/2-directional valve, Series TC15, with detent, AC

Flow: 1500 l/min
 Activation: Electrically
 Manual override: with detent
 Duty cycle: 100 %
 Type: Spool valve, positive overlapping
 Ambient temperature min./max.: -10 °C ... 50 °C
 Medium temperature min./max.: -10 °C ... 50 °C
 Control pressure min./max.: 10 bar
 Working pressure min./max.: 10 bar

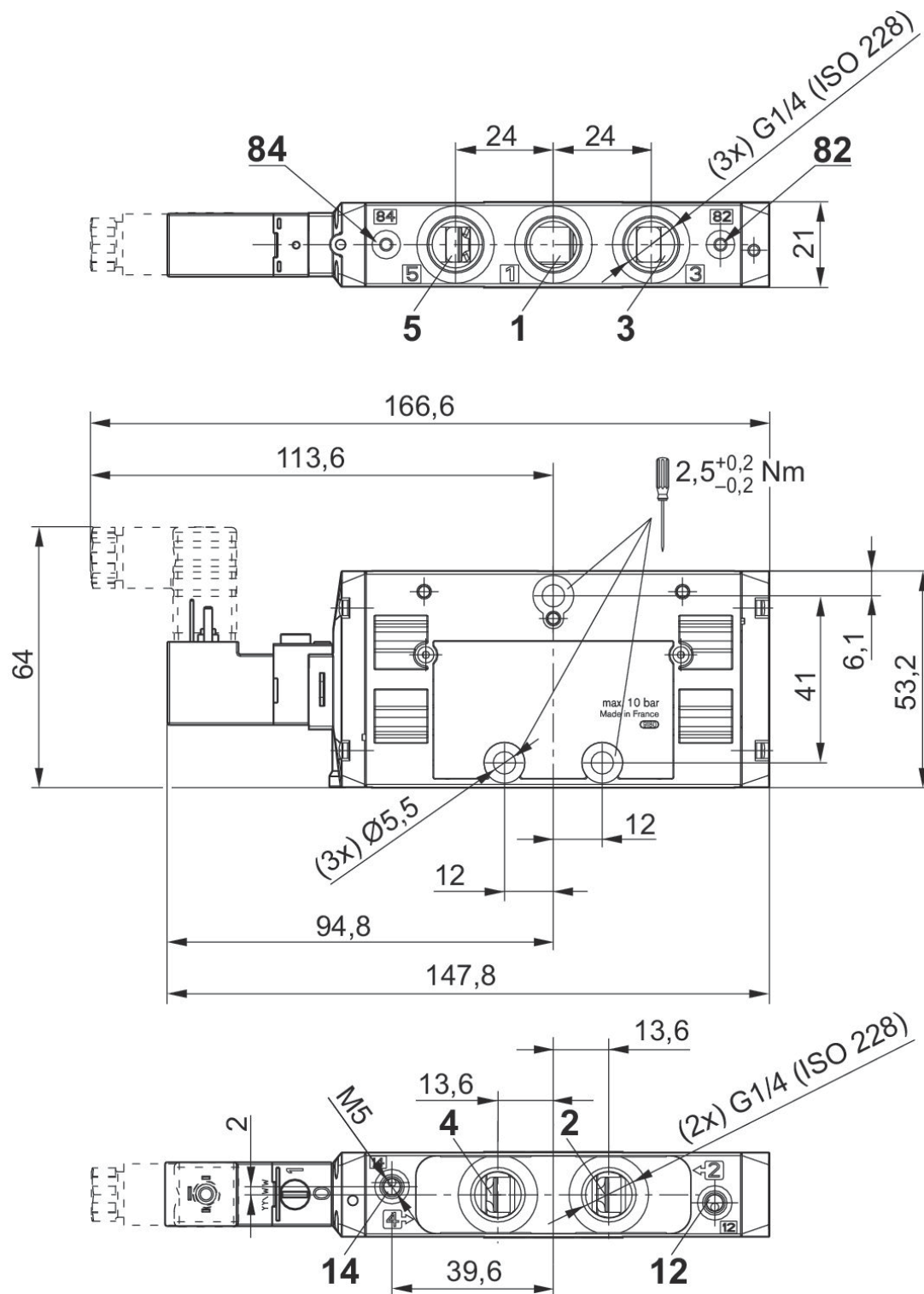


	Switching principle	MO	Compressed air connection input	Compressed air connection output	Min. working pressure [bar]	Max. working pressure [bar]	Operational voltage	Part No.
	5/2, with air spring return	with detent	G 1/4	G 1/4	2.5	10	24 V AC	R422000116
	5/2, with air spring return	with detent	G 1/4	G 1/4	2.5	10	110 V AC	0820058002
	5/2, with air spring return	with detent	G 1/4	G 1/4	2.5	10	230 V AC	0820058003
	5/2, with air spring return	with detent	G 1/4	G 1/4	-0.9	10	110 V AC	0820058052
	5/2, with air spring return	with detent	G 1/4	G 1/4	-0.9	10	230 V AC	0820058053
	5/2, with spring return	with detent	G 1/4	G 1/4	3	10	24 V AC	R422000118
	5/2, with spring return	with detent	G 1/4	G 1/4	3	10	110 V AC	0820058027
	5/2, with spring return	with detent	G 1/4	G 1/4	3	10	230 V AC	0820058028
	5/2, with spring return	with detent	G 1/4	G 1/4	-0.9	10	110 V AC	0820058077
	5/2, with spring return	with detent	G 1/4	G 1/4	-0.9	10	230 V AC	0820058078

Pilot	Flow Qn [l/min]	Min. control pressure [bar]	Max. control pressure [bar]	Part No.
Internal	1500	2.5	10	R422000116
Internal	1500	2.5	10	0820058002
Internal	1500	2.5	10	0820058003
External	1500	2.5	10	0820058052
External	1500	2.5	10	0820058053
Internal	1500	3	10	R422000118
Internal	1500	3	10	0820058027

Pilot	Flow Qn [l/min]	Min. control pressure [bar]	Max. control pressure [bar]	Part No.
Internal	1500	3	10	0820058028
External	1500	3	10	0820058077
External	1500	3	10	0820058078

Dimensions
Double Solenoid



5/2-directional valve, Series TC15, without detent, AC

Flow: 1500 l/min
 Activation: Electrically
 Manual override: without detent
 Duty cycle: 100 %
 Type: Spool valve, positive overlapping
 Ambient temperature min./max.: -10 °C ... 50 °C
 Medium temperature min./max.: -10 °C ... 50 °C
 Control pressure min./max.: 10 bar
 Working pressure min./max.: 10 bar

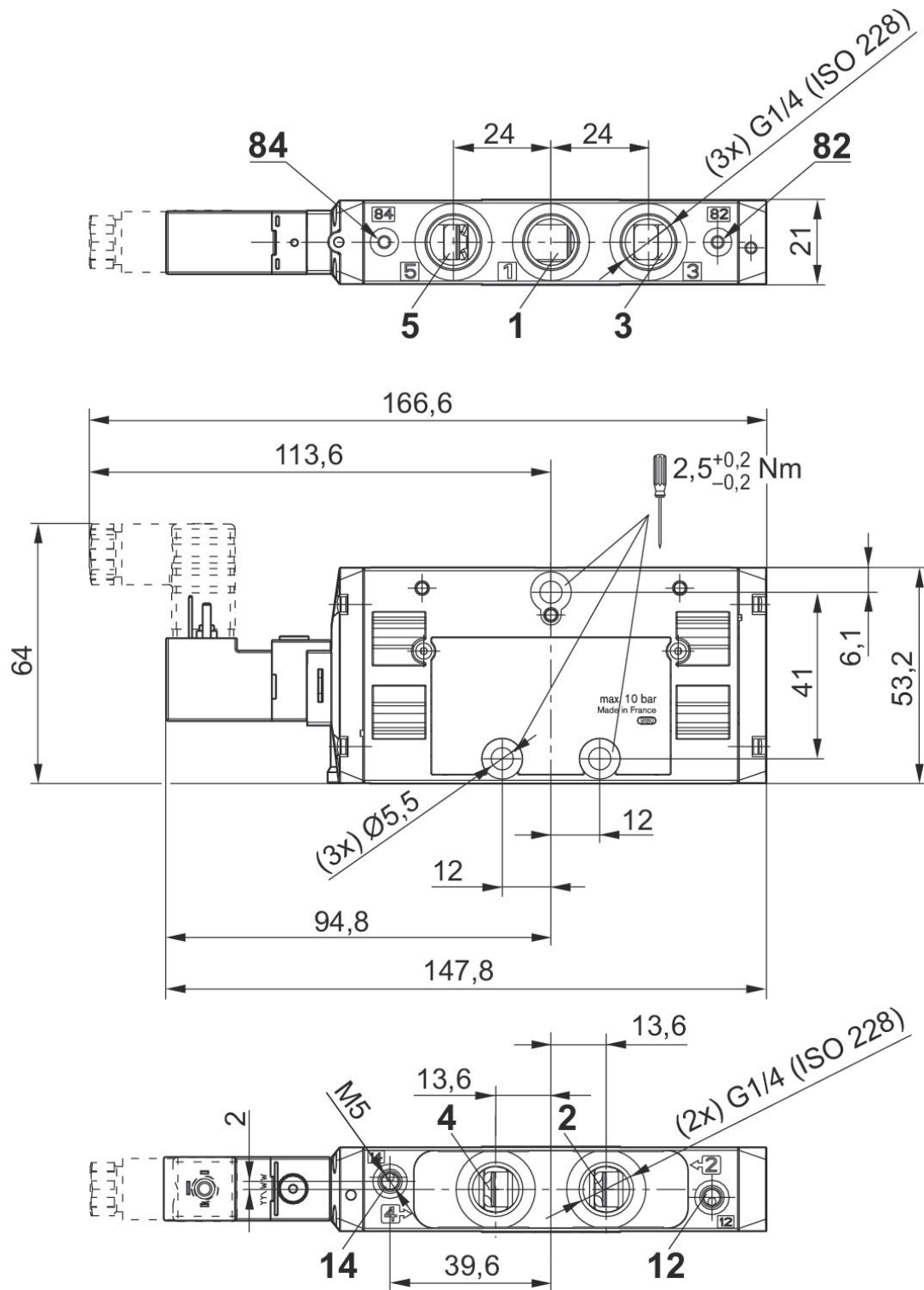


	Switching principle	MO	Compressed air connection input	Compressed air connection output	Min. working pressure [bar]	Max. working pressure [bar]	Operational voltage	Part No.
	5/2, with air spring return	without detent	G 1/4	G 1/4	2.5	10	24 V AC	R422000117
	5/2, with air spring return	without detent	G 1/4	G 1/4	2.5	10	110 V AC	0820058102
	5/2, with air spring return	without detent	G 1/4	G 1/4	2.5	10	230 V AC	0820058103
	5/2, with air spring return	without detent	G 1/4	G 1/4	-0.9	10	110 V AC	0820058152
	5/2, with air spring return	without detent	G 1/4	G 1/4	-0.9	10	230 V AC	0820058153
	5/2, with spring return	without detent	G 1/4	G 1/4	3	10	24 V AC	R422000119
	5/2, with spring return	without detent	G 1/4	G 1/4	3	10	110 V AC	0820058127
	5/2, with spring return	without detent	G 1/4	G 1/4	3	10	230 V AC	0820058128
	5/2, with spring return	without detent	G 1/4	G 1/4	-0.9	10	110 V AC	0820058177
	5/2, with spring return	without detent	G 1/4	G 1/4	-0.9	10	230 V AC	0820058178

Pilot	Flow Qn [l/min]	Min. control pressure [bar]	Max. control pressure [bar]	Part No.
Internal	1500	2.5	10	R422000117
Internal	1500	2.5	10	0820058102
Internal	1500	2.5	10	0820058103
External	1500	2.5	10	0820058152
External	1500	2.5	10	0820058153
Internal	1500	3	10	R422000119

Pilot	Flow Qn [l/min]	Min. control pressure [bar]	Max. control pressure [bar]	Part No.
Internal	1500	3	10	0820058127
Internal	1500	3	10	0820058128
External	1500	3	10	0820058177
External	1500	3	10	0820058178

dimensions, single solenoid



5/2-directional valve, Series TC15, with detent, DC

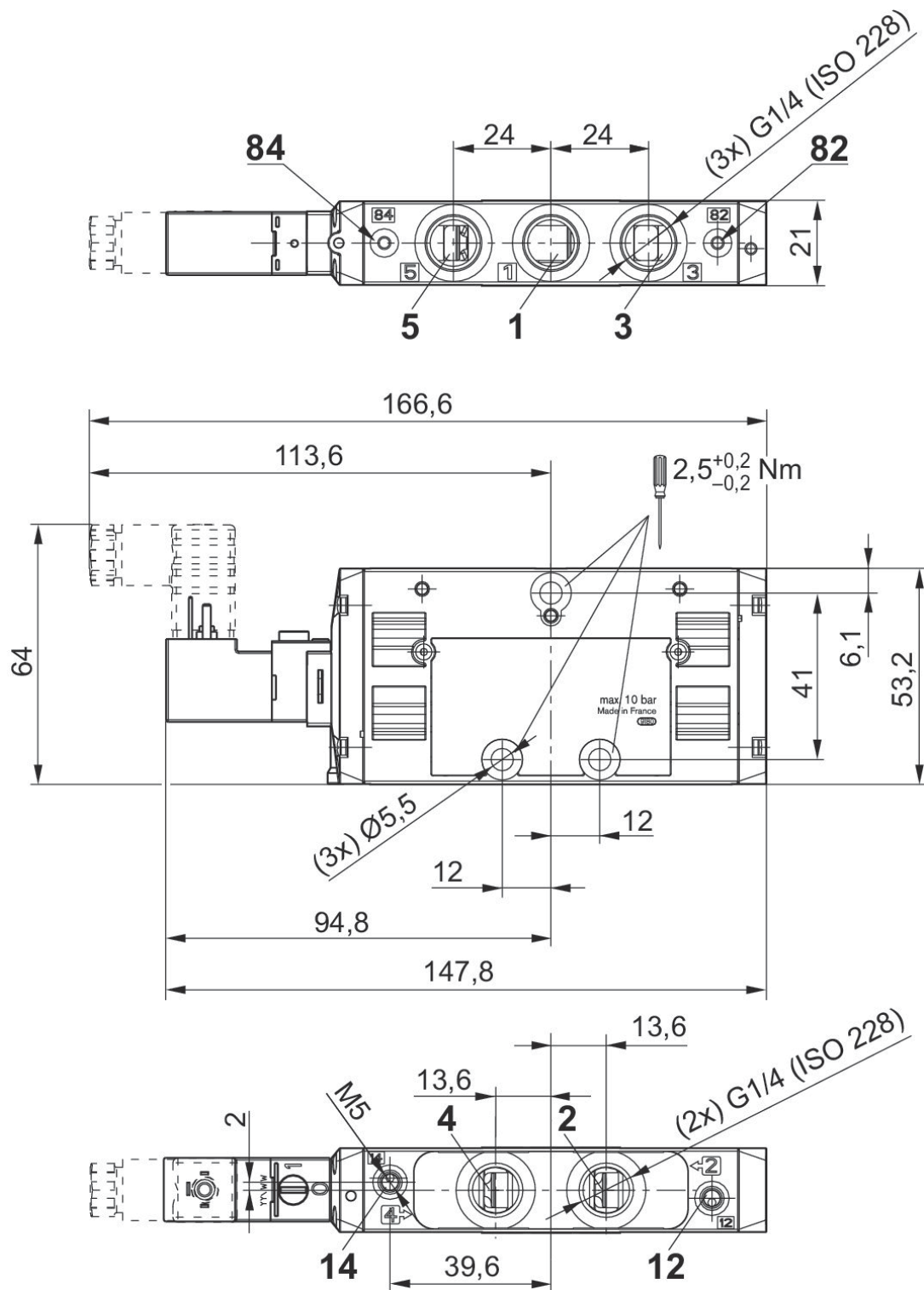
Flow: 1500 l/min
 Activation: Electrically
 Manual override: with detent
 Duty cycle: 100 %
 Type: Spool valve, positive overlapping
 Ambient temperature min./max.: -10 °C ... 50 °C
 Medium temperature min./max.: -10 °C ... 50 °C
 Control pressure min./max.: 10 bar
 Working pressure min./max.: 10 bar



	Switching principle	MO	Compressed air connection input	Compressed air connection output	Min. working pressure [bar]	Max. working pressure [bar]	Operational voltage	Part No.
	5/2, with air spring return	with detent	G 1/4	G 1/4	2.5	10	24 V DC	0820058001
	5/2, with air spring return	with detent	G 1/4	G 1/4	-0.9	10	24 V DC	0820058051
	5/2, with air spring return	with detent	G 1/4	G 1/4	3	10	24 V DC	0820058026
	5/2, with air spring return	with detent	G 1/4	G 1/4	3	10		R422103063
	5/2, with air spring return	with detent	G 1/4	G 1/4	-0.9	10	24 V DC	0820058076
	5/2, with air spring return	with detent	G 1/4	G 1/4	-0.9	10		R422103065

Pilot	Power consumption DC [W]	Flow Qn [l/min]	Min. control pressure [bar]	Max. control pressure [bar]	Part No.
Internal	2	1500	2.5	10	0820058001
External	2	1500	2.5	10	0820058051
Internal	2	1500	3	10	0820058026
Internal		1500	3	10	R422103063
External	2	1500	3	10	0820058076
External		1500	3	10	R422103065

Dimensions
Double Solenoid



5/2-directional valve, Series TC15, without detent, DC

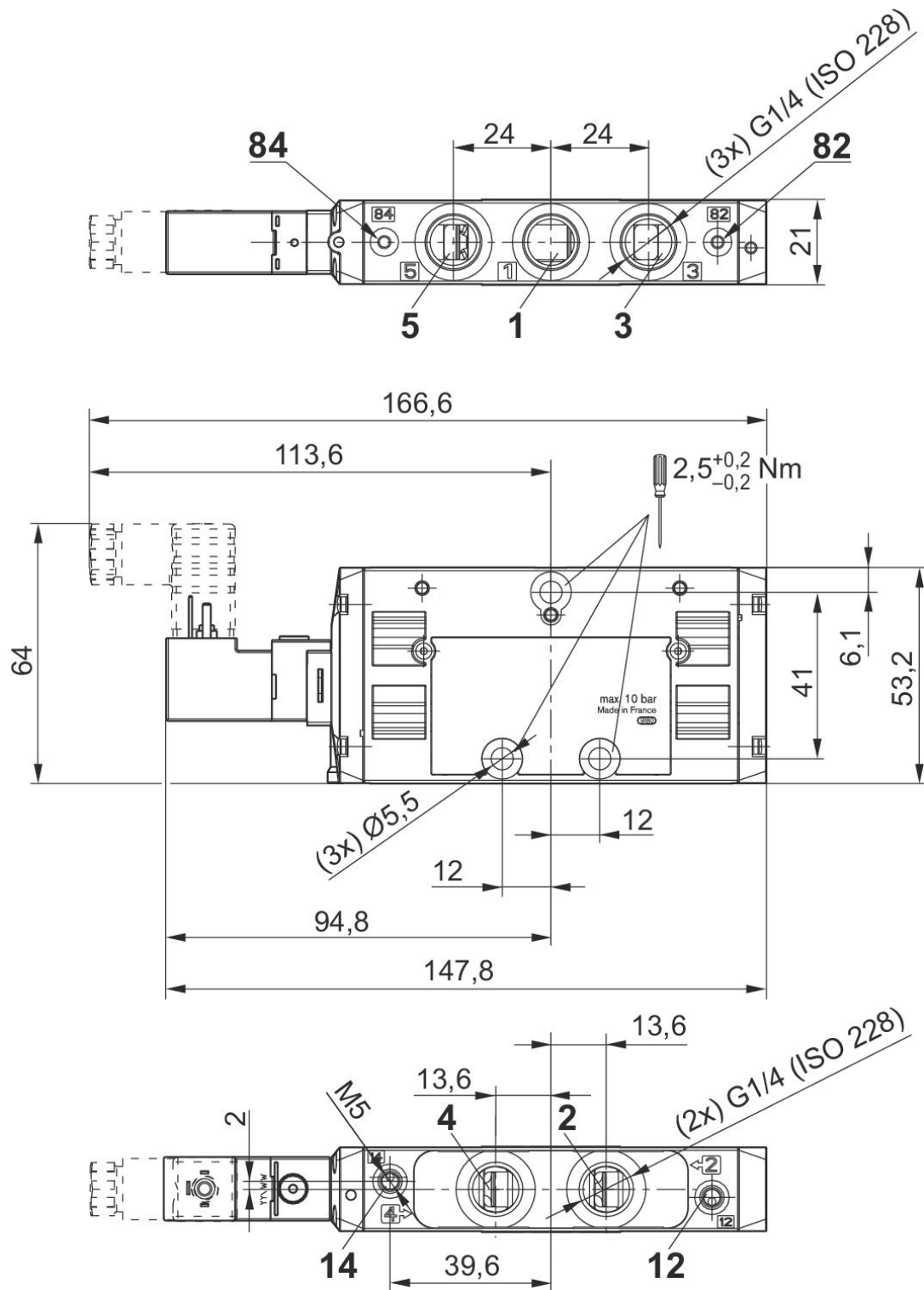
Flow: 1500 l/min
 Activation: Electrically
 Manual override: without detent
 Duty cycle: 100 %
 Type: Spool valve, positive overlapping
 Ambient temperature min./max.: -10 °C ... 50 °C
 Medium temperature min./max.: -10 °C ... 50 °C
 Control pressure min./max.: 10 bar
 Working pressure min./max.: 10 bar



	Switching principle	MO	Compressed air connection input	Compressed air connection output	Min. working pressure [bar]	Max. working pressure [bar]	Operational voltage	Part No.
	5/2, with air spring return	without detent	G 1/4	G 1/4	2.5	10	24 V DC	0820058101
	5/2, with air spring return	without detent	G 1/4	G 1/4	-0.9	10	24 V DC	0820058151
	5/2, with spring return	without detent	G 1/4	G 1/4	3	10	24 V DC	0820058126
	5/2, with spring return	without detent	G 1/4	G 1/4	3	10		R422103064
	5/2, with spring return	without detent	G 1/4	G 1/4	-0.9	10	24 V DC	0820058176
	5/2, with spring return	without detent	G 1/4	G 1/4	-0.9	10		R422103066

Pilot	Power consumption DC [W]	Flow Qn [l/min]	Min. control pressure [bar]	Max. control pressure [bar]	Part No.
Internal	2	1500	2.5	10	0820058101
External	2	1500	2.5	10	0820058151
Internal	2	1500	3	10	0820058126
Internal		1500	3	10	R422103064
External	2	1500	3	10	0820058176
External		1500	3	10	R422103066

dimensions, single solenoid



5/2-directional valve, Series TC15, double, without detent, AC

Flow: 1500 l/min
 Activation: Electrically
 Manual override: without detent
 Duty cycle: 100 %
 Type: Spool valve, positive overlapping
 Ambient temperature min./max.: -10 °C ... 50 °C
 Medium temperature min./max.: -10 °C ... 50 °C
 Control pressure min./max.: 10 bar
 Working pressure min./max.: 10 bar



	Switching principle	MO	Compressed air connection input	Compressed air connection output	Min. working pressure [bar]	Max. working pressure [bar]	Operational voltage	Part No.
	5/2, double solenoid	without detent	G 1/4	G 1/4	2	10	24 V AC	R422000121
	5/2, double solenoid	without detent	G 1/4	G 1/4	2	10	110 V AC	0820058602
	5/2, double solenoid	without detent	G 1/4	G 1/4	2	10	230 V AC	0820058603
	5/2, double solenoid	without detent	G 1/4	G 1/4	-0.9	10	110 V AC	0820058652
	5/2, double solenoid	without detent	G 1/4	G 1/4	-0.9	10	230 V AC	0820058653

Pilot	Flow Qn [l/min]	Min. control pressure [bar]	Max. control pressure [bar]	Part No.
Internal	1500	2	10	R422000121
Internal	1500	2	10	0820058602
Internal	1500	2	10	0820058603
External	1500	2	10	0820058652
External	1500	2	10	0820058653

5/2-directional valve, Series TC15, double,

Flow: 1500 l/min
 Activation: Electrically
 Manual override: with detent
 Duty cycle: 100 %
 Type: Spool valve, positive overlapping
 Ambient temperature min./max.: -10 °C ... 50 °C
 Medium temperature min./max.: -10 °C ... 50 °C
 Control pressure min./max.: 10 bar
 Working pressure min./max.: 10 bar






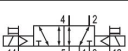
	Switching principle	MO	Compressed air connection input	Compressed air connection output	Min. working pressure [bar]	Max. working pressure [bar]	Operational voltage	Part No.
	5/2, double solenoid	with detent	G 1/4	G 1/4	2	10	24 V DC	0820058501
	5/2, double solenoid	with detent	G 1/4	G 1/4	2	10		R422103067
	5/2, double solenoid	with detent	G 1/4	G 1/4	-0.9	10	24 V DC	0820058551
	5/2, double solenoid	with detent	G 1/4	G 1/4	-0.9	10		R422103069

Pilot	Power consumption DC [W]	Flow Qn [l/min]	Min. control pressure [bar]	Max. control pressure [bar]	Part No.
Internal	2	1500	2	10	0820058501
Internal		1500	2	10	R422103067
External	2	1500	2	10	0820058551
External		1500	2	10	R422103069

5/2-directional valve, Series TC15, double, without detent, DC

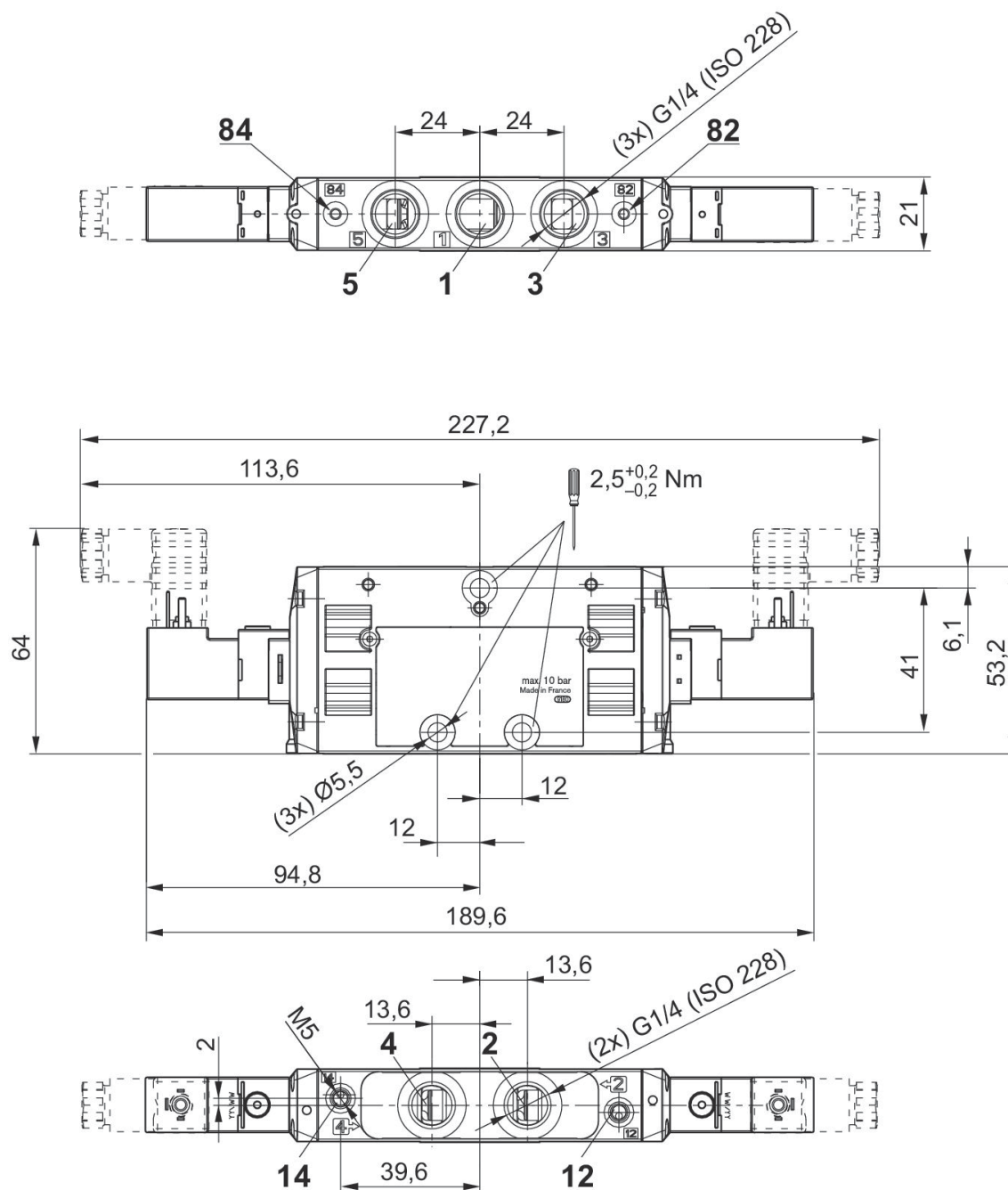
Flow: 1500 l/min
 Activation: Electrically
 Manual override: without detent
 Duty cycle: 100 %
 Type: Spool valve, positive overlapping
 Ambient temperature min./max.: -10 °C ... 50 °C
 Medium temperature min./max.: -10 °C ... 50 °C
 Control pressure min./max.: 10 bar
 Working pressure min./max.: 10 bar



	Switching principle	MO	Compressed air connection input	Compressed air connection output	Min. working pressure [bar]	Max. working pressure [bar]	Operational voltage	Part No.
	5/2, double solenoid	without detent	G 1/4	G 1/4	2	10	24 V DC	0820058601
	5/2, double solenoid	without detent	G 1/4	G 1/4	2	10		R422103068
	5/2, double solenoid	without detent	G 1/4	G 1/4	-0.9	10	24 V DC	0820058651
	5/2, double solenoid	without detent	G 1/4	G 1/4	-0.9	10		R422103070

Pilot	Power consumption DC [W]	Flow Qn [l/min]	Min. control pressure [bar]	Max. control pressure [bar]	Part No.
Internal	2	1500	2	10	0820058601
Internal		1500	2	10	R422103068
External	2	1500	2	10	0820058651
External		1500	2	10	R422103070

dimensions, double solenoid



5/2-directional valve, Series TC15, double, with detend, AC

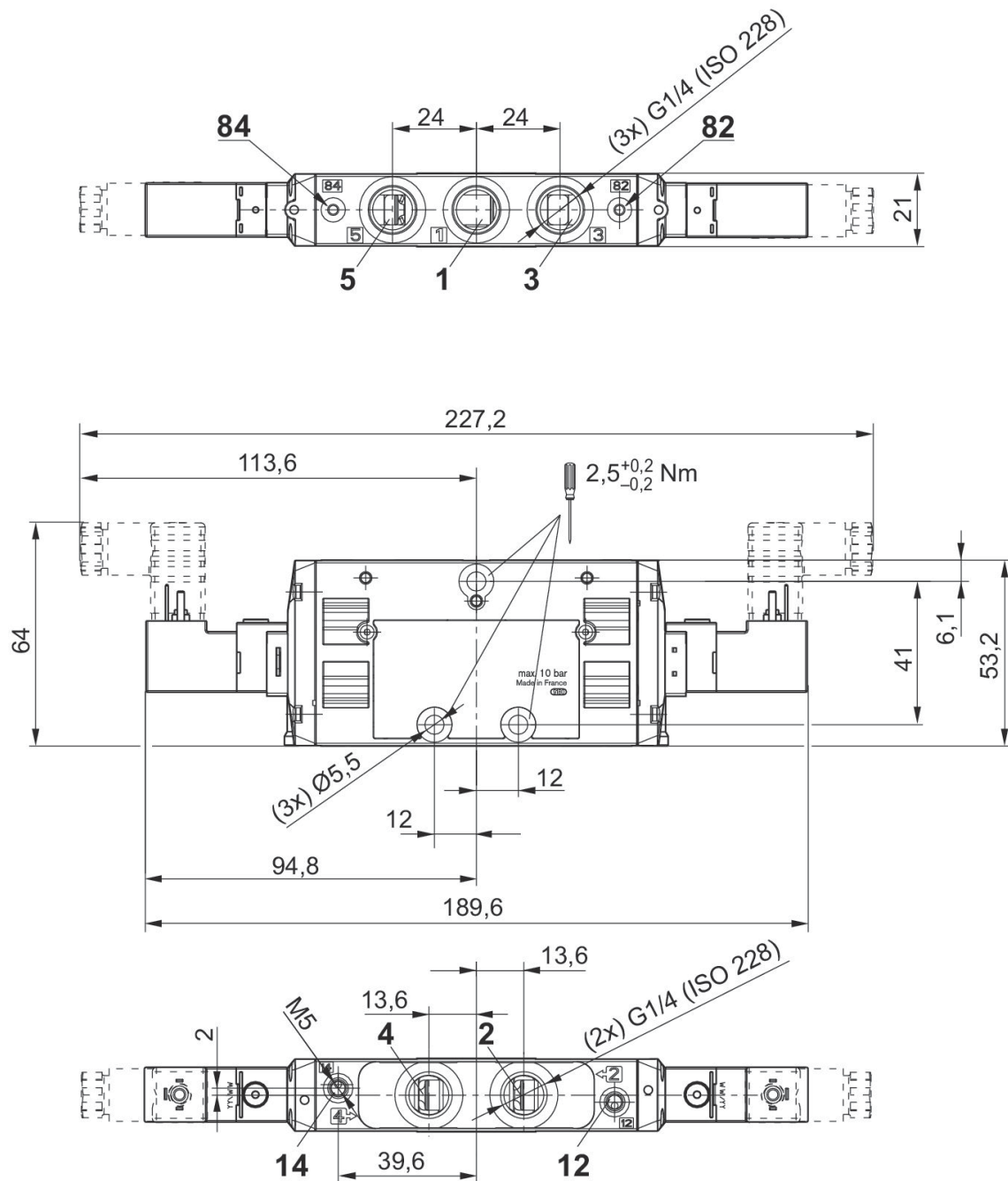
Flow: 1500 l/min
 Activation: Electrically
 Manual override: with detent
 Duty cycle: 100 %
 Type: Spool valve, positive overlapping
 Ambient temperature min./max.: -10 °C ... 50 °C
 Medium temperature min./max.: -10 °C ... 50 °C
 Control pressure min./max.: 10 bar
 Working pressure min./max.: 10 bar



	Switching principle	MO	Compressed air connection input	Compressed air connection output	Min. working pressure [bar]	Max. working pressure [bar]	Operational voltage	Part No.
	5/2, double solenoid	with detent	G 1/4	G 1/4	2	10	24 V AC	R422000120
	5/2, double solenoid	with detent	G 1/4	G 1/4	2	10	110 V AC	0820058502
	5/2, double solenoid	with detent	G 1/4	G 1/4	2	10	230 V AC	0820058503
	5/2, double solenoid	with detent	G 1/4	G 1/4	-0.9	10	110 V AC	0820058552
	5/2, double solenoid	with detent	G 1/4	G 1/4	-0.9	10	230 V AC	0820058553

Pilot	Flow Qn [l/min]	Min. control pressure [bar]	Max. control pressure [bar]	Part No.
Internal	1500	2	10	R422000120
Internal	1500	2	10	0820058502
Internal	1500	2	10	0820058503
External	1500	2	10	0820058552
External	1500	2	10	0820058553

dimensions, double solenoid



5/3-directional valve, Series TC15, double, without detent, AC

Flow: 1300 l/min
 Activation: Electrically
 Manual override: without detent
 Duty cycle: 100 %
 Type: Spool valve, positive overlapping
 Ambient temperature min./max.: -10 °C ... 50 °C
 Medium temperature min./max.: -10 °C ... 50 °C
 Control pressure min./max.: 3 bar ... 10 bar
 Working pressure min./max.: 10 bar

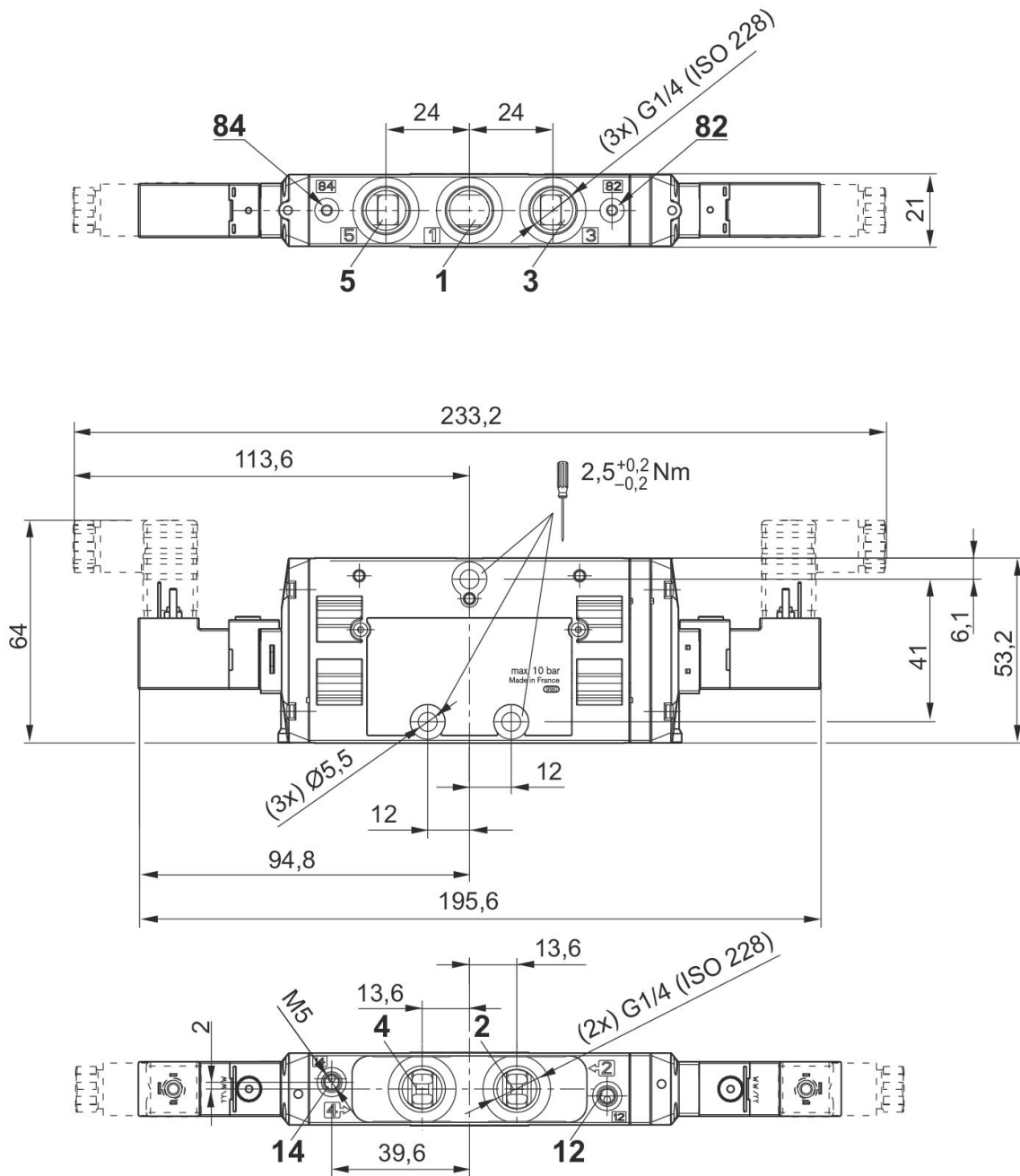


	Valve function	Switching principle	MO	Compressed air connection input	Compressed air connection output	Min. working pressure [bar]	Max. working pressure [bar]	Part No.
	Closed Center	5/3, closed center	without detent	G 1/4	G 1/4	3	10	R422000123
	Closed Center	5/3, closed center	without detent	G 1/4	G 1/4	3	10	0820059102
	Closed Center	5/3, closed center	without detent	G 1/4	G 1/4	3	10	0820059103
	Closed Center	5/3, closed center	without detent	G 1/4	G 1/4	-0.9	10	0820059152
	Closed Center	5/3, closed center	without detent	G 1/4	G 1/4	-0.9	10	0820059153
	Exhausted Center	5/3, exhausted center	without detent	G 1/4	G 1/4	3	10	R422000125
	Exhausted Center	5/3, exhausted center	without detent	G 1/4	G 1/4	3	10	0820059112
	Exhausted Center	5/3, exhausted center	without detent	G 1/4	G 1/4	3	10	0820059113
	Exhausted Center	5/3, exhausted center	without detent	G 1/4	G 1/4	-0.9	10	0820059162
	Exhausted Center	5/3, exhausted center	without detent	G 1/4	G 1/4	-0.9	10	0820059163
	Pressurized Center	5/3, pressurized center	without detent	G 1/4	G 1/4	3	10	R422000127
	Pressurized Center	5/3, pressurized center	without detent	G 1/4	G 1/4	3	10	0820059122
	Pressurized Center	5/3, pressurized center	without detent	G 1/4	G 1/4	3	10	0820059123
	Pressurized Center	5/3, pressurized center	without detent	G 1/4	G 1/4	-0.9	10	0820059172
	Pressurized Center	5/3, pressurized center	without detent	G 1/4	G 1/4	-0.9	10	0820059173

Operational voltage	Pilot	Flow Qn [l/min]	Min. control pressure [bar]	Max. control pressure [bar]	Part No.
24 V AC	Internal	1300	3	10	R422000123

Operational voltage	Pilot	Flow Qn [l/min]	Min. control pressure [bar]	Max. control pressure [bar]	Part No.
110 V AC	Internal	1300	3	10	0820059102
230 V AC	Internal	1300	3	10	0820059103
110 V AC	External	1300	3	10	0820059152
230 V AC	External	1300	3	10	0820059153
24 V AC	Internal	1300	3	10	R422000125
110 V AC	Internal	1300	3	10	0820059112
230 V AC	Internal	1300	3	10	0820059113
110 V AC	External	1300	3	10	0820059162
230 V AC	External	1300	3	10	0820059163
24 V AC	Internal	1300	3	10	R422000127
110 V AC	Internal	1300	3	10	0820059122
230 V AC	Internal	1300	3	10	0820059123
110 V AC	External	1300	3	10	0820059172
230 V AC	External	1300	3	10	0820059173

Dimensions



5/3-directional valve, Series TC15, double, with detend, AC

Flow: 1300 l/min
 Activation: Electrically
 Manual override: with detent
 Duty cycle: 100 %
 Type: Spool valve, positive overlapping
 Ambient temperature min./max.: -10 °C ... 50 °C
 Medium temperature min./max.: -10 °C ... 50 °C
 Control pressure min./max.: 3 bar ... 10 bar
 Working pressure min./max.: 10 bar

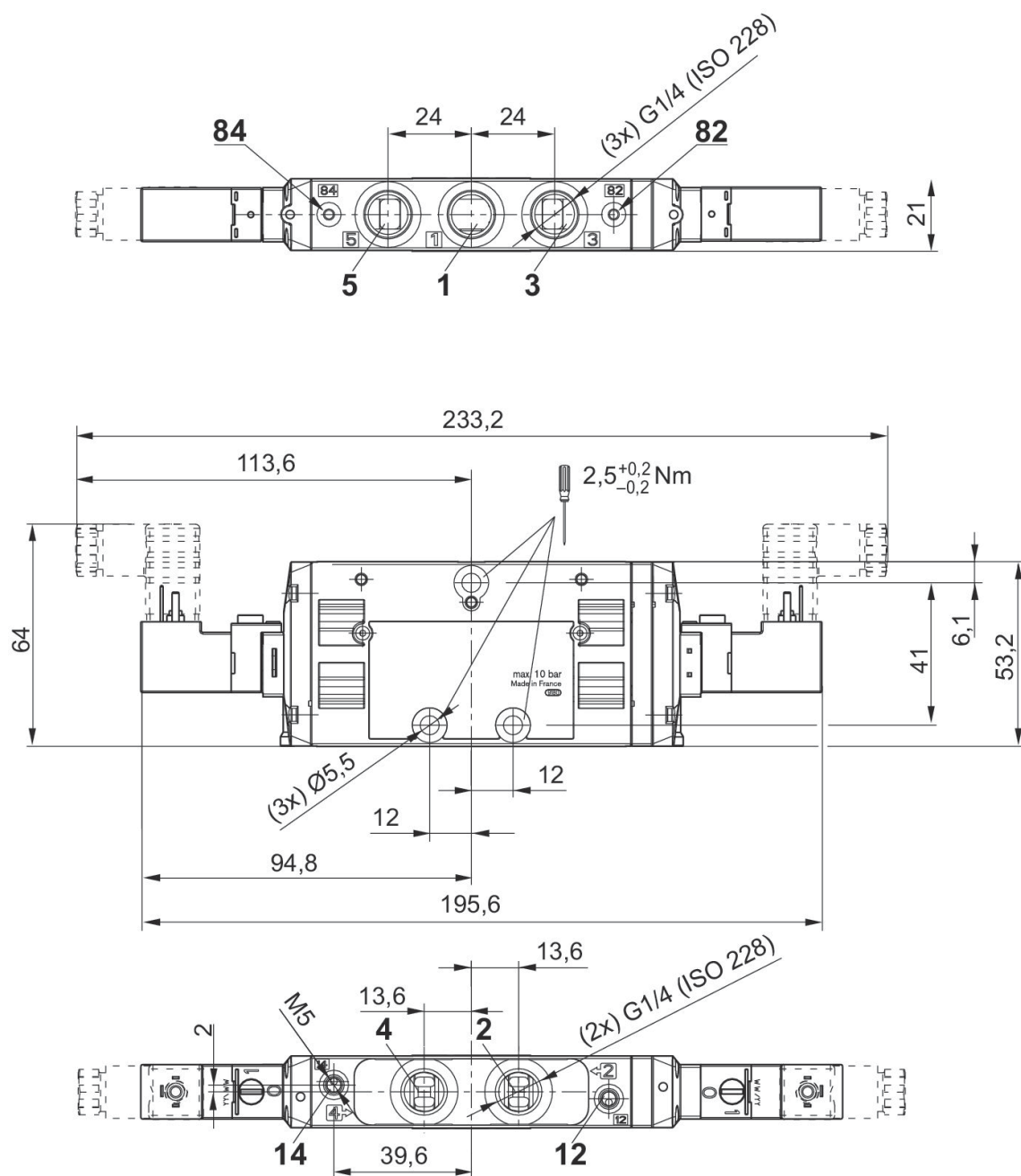


	Valve function	Switching principle	MO	Compressed air connection input	Compressed air connection output	Min. working pressure [bar]	Max. working pressure [bar]	Part No.
	Closed Center	5/3, closed center	with detent	G 1/4	G 1/4	3	10	R422000122
	Closed Center	5/3, closed center	with detent	G 1/4	G 1/4	3	10	0820059002
	Closed Center	5/3, closed center	with detent	G 1/4	G 1/4	3	10	0820059003
	Closed Center	5/3, closed center	with detent	G 1/4	G 1/4	-0.9	10	0820059052
	Closed Center	5/3, closed center	with detent	G 1/4	G 1/4	-0.9	10	0820059053
	Exhausted Center	5/3, exhausted center	with detent	G 1/4	G 1/4	3	10	R422000124
	Exhausted Center	5/3, exhausted center	with detent	G 1/4	G 1/4	3	10	0820059012
	Exhausted Center	5/3, exhausted center	with detent	G 1/4	G 1/4	3	10	0820059013
	Exhausted Center	5/3, exhausted center	with detent	G 1/4	G 1/4	-0.9	10	0820059062
	Exhausted Center	5/3, exhausted center	with detent	G 1/4	G 1/4	-0.9	10	0820059063
	Pressurized Center	5/3, pressurized center	with detent	G 1/4	G 1/4	3	10	R422000126
	Pressurized Center	5/3, pressurized center	with detent	G 1/4	G 1/4	3	10	0820059022
	Pressurized Center	5/3, pressurized center	with detent	G 1/4	G 1/4	3	10	0820059023
	Pressurized Center	5/3, pressurized center	with detent	G 1/4	G 1/4	-0.9	10	0820059073
	Pressurized Center	5/3, pressurized center	with detent	G 1/4	G 1/4	-0.9	10	0820059072

Operational voltage	Pilot	Flow Qn [l/min]	Min. control pressure [bar]	Max. control pressure [bar]	Part No.
24 V AC	Internal	1300	3	10	R422000122
110 V AC	Internal	1300	3	10	0820059002

Operational voltage	Pilot	Flow Qn [l/min]	Min. control pressure [bar]	Max. control pressure [bar]	Part No.
230 V AC	Internal	1300	3	10	0820059003
110 V AC	External	1300	3	10	0820059052
230 V AC	External	1300	3	10	0820059053
24 V AC	Internal	1300	3	10	R422000124
110 V AC	Internal	1300	3	10	0820059012
230 V AC	Internal	1300	3	10	0820059013
110 V AC	External	1300	3	10	0820059062
230 V AC	External	1300	3	10	0820059063
24 V AC	Internal	1300	3	10	R422000126
110 V AC	Internal	1300	3	10	0820059022
230 V AC	Internal	1300	3	10	0820059023
230 V AC	External	1300	3	10	0820059073
110 V AC	External	1300	3	10	0820059072

Dimensions



5/3-directional valve, Series TC15, double, without detent, DC

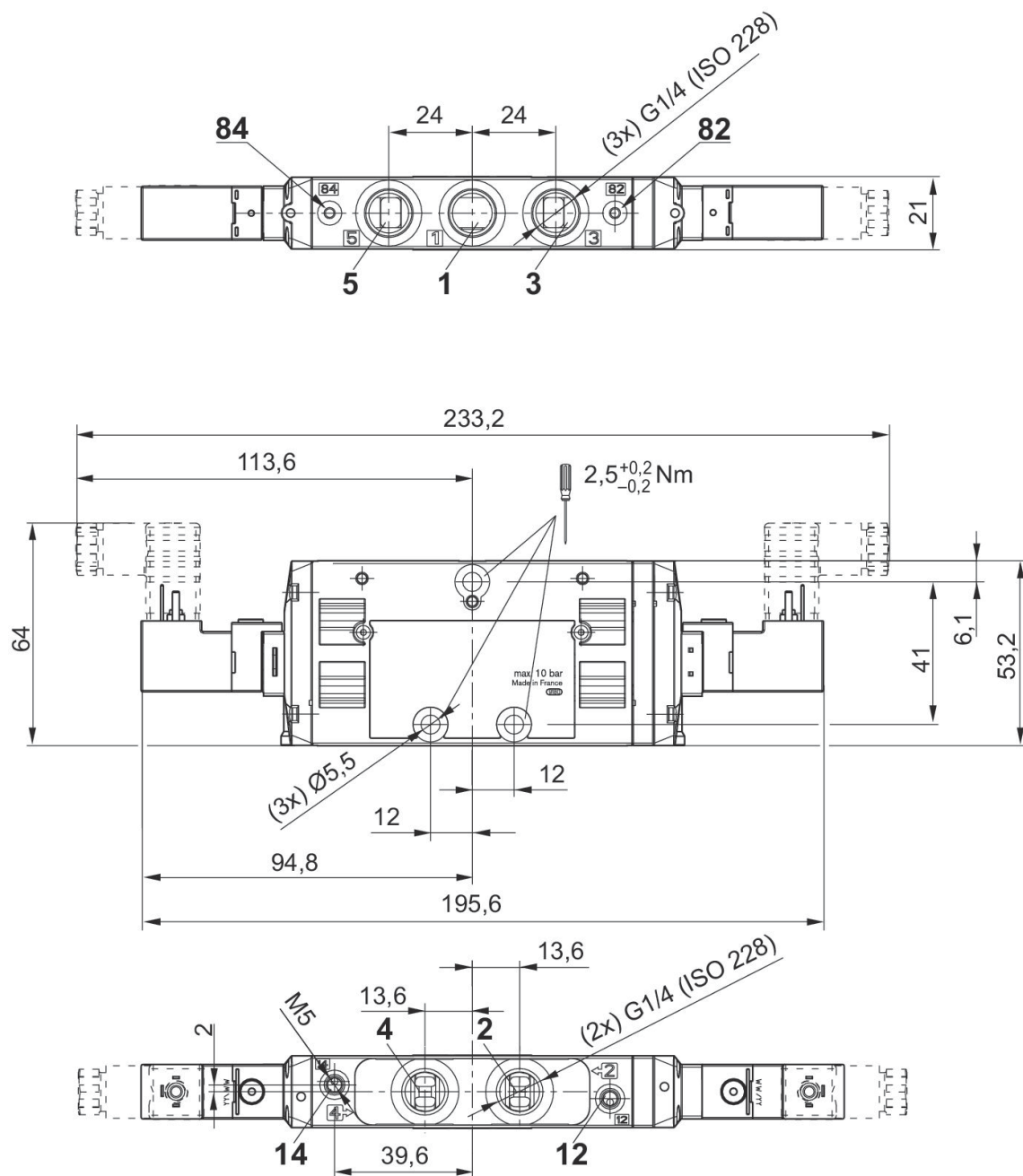
Flow: 1300 l/min
 Activation: Electrically
 Manual override: without detent
 Duty cycle: 100 %
 Type: Spool valve, positive overlapping
 Ambient temperature min./max.: -10 °C ... 50 °C
 Medium temperature min./max.: -10 °C ... 50 °C
 Control pressure min./max.: 3 bar ... 10 bar
 Working pressure min./max.: 10 bar



	Valve function	Switching principle	MO	Compressed air connection input	Compressed air connection output	Min. working pressure [bar]	Max. working pressure [bar]	Part No.
	Closed Center	5/3, closed center	without detent	G 1/4	G 1/4	3	10	0820059101
	Closed Center	5/3, closed center	without detent	G 1/4	G 1/4	3	10	R422103072
	Closed Center	5/3, closed center	without detent	G 1/4	G 1/4	-0.9	10	0820059151
	Closed Center	5/3, closed center	without detent	G 1/4	G 1/4	-0.9	10	R422103074
	Exhausted Center	5/3, exhausted center	without detent	G 1/4	G 1/4	3	10	0820059111
	Exhausted Center	5/3, exhausted center	without detent	G 1/4	G 1/4	3	10	R422103076
	Exhausted Center	5/3, exhausted center	without detent	G 1/4	G 1/4	-0.9	10	0820059161
	Pressurized Center	5/3, pressurized center	without detent	G 1/4	G 1/4	-0.9	10	0820059171
	Pressurized Center	5/3, pressurized center	without detent	G 1/4	G 1/4	3	10	0820059121

Operational voltage	Pilot	Power consumption DC [W]	Flow Qn [l/min]	Min. control pressure [bar]	Max. control pressure [bar]	Part No.
24 V DC	Internal	2	1300	3	10	0820059101
	Internal		1300	3	10	R422103072
24 V DC	External	2	1300	3	10	0820059151
	External		1300	3	10	R422103074
24 V DC	Internal	2	1300	3	10	0820059111
	Internal		1300	3	10	R422103076
24 V DC	External	2	1300	3	10	0820059161
24 V DC	External	2	1300	3	10	0820059171
24 V DC	Internal	2	1300	3	10	0820059121

Dimensions



5/3-directional valve, Series TC15, double, with detend, DC

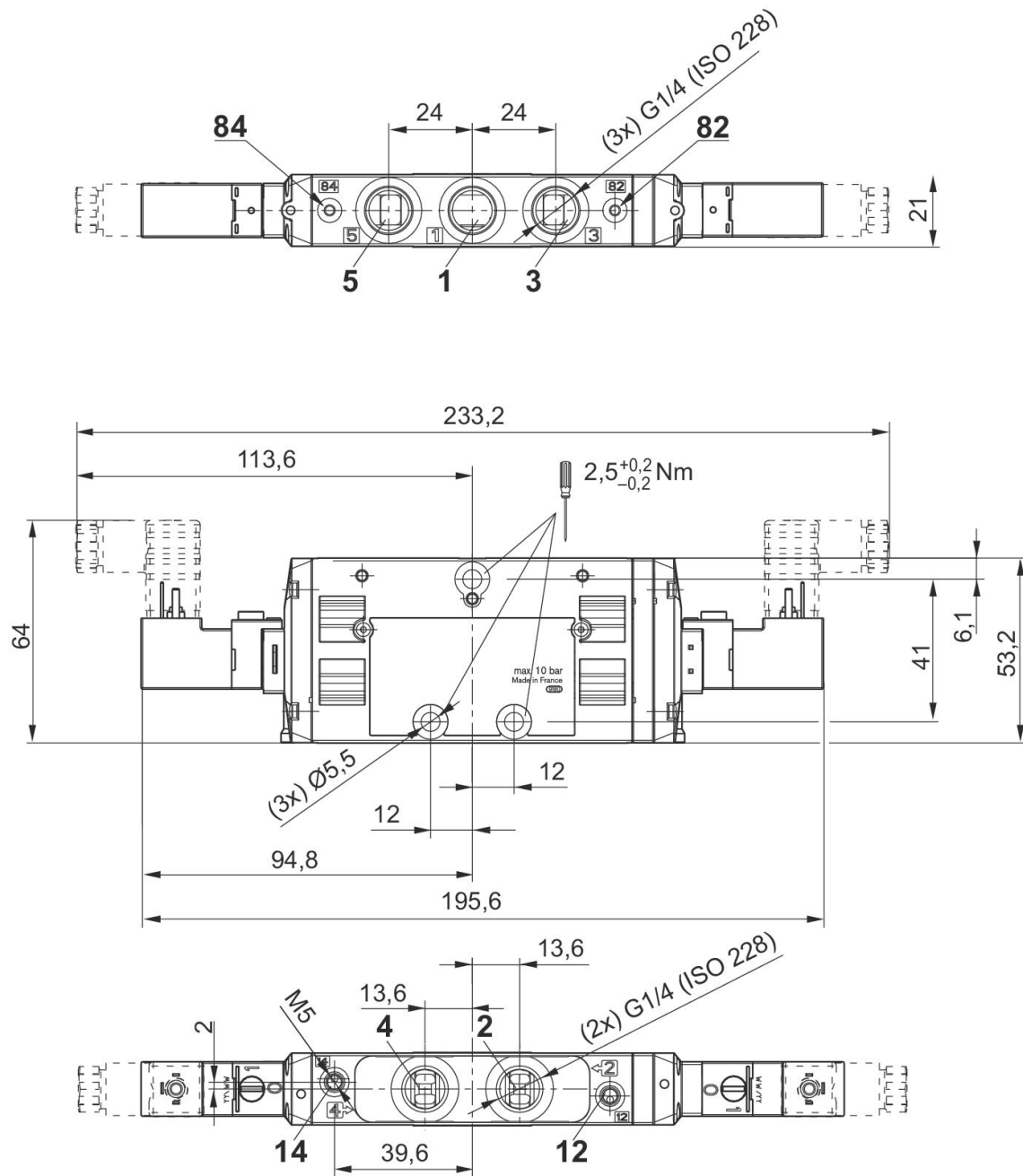
Flow: 1300 l/min
 Activation: Electrically
 Manual override: with detent
 Duty cycle: 100 %
 Type: Spool valve, positive overlapping
 Ambient temperature min./max.: -10 °C ... 50 °C
 Medium temperature min./max.: -10 °C ... 50 °C
 Control pressure min./max.: 3 bar ... 10 bar
 Working pressure min./max.: 10 bar



	Valve function	Switching principle	MO	Compressed air connection input	Compressed air connection output	Min. working pressure [bar]	Max. working pressure [bar]	Part No.
	Closed Center	5/3, closed center	with detent	G 1/4	G 1/4	3	10	0820059001
	Closed Center	5/3, closed center	with detent	G 1/4	G 1/4	3	10	R422103071
	Closed Center	5/3, closed center	with detent	G 1/4	G 1/4	-0.9	10	0820059051
	Closed Center	5/3, closed center	with detent	G 1/4	G 1/4	-0.9	10	R422103073
	Exhausted Center	5/3, exhausted center	with detent	G 1/4	G 1/4	3	10	0820059011
	Exhausted Center	5/3, exhausted center	with detent	G 1/4	G 1/4	3	10	R422103075
	Exhausted Center	5/3, exhausted center	with detent	G 1/4	G 1/4	-0.9	10	0820059061
	Pressurized Center	5/3, pressurized center	with detent	G 1/4	G 1/4	3	10	0820059021
	Pressurized Center	5/3, pressurized center	with detent	G 1/4	G 1/4	-0.9	10	0820059071

Operational voltage	Pilot	Power consumption DC [W]	Flow Qn [l/min]	Min. control pressure [bar]	Max. control pressure [bar]	Part No.
24 V DC	Internal	2	1300	3	10	0820059001
	Internal		1300	3	10	R422103071
24 V DC	External	2	1300	3	10	0820059051
	External		1300	3	10	R422103073
24 V DC	Internal	2	1300	3	10	0820059011
	Internal		1300	3	10	R422103075
24 V DC	External	2	1300	3	10	0820059061
24 V DC	Internal	2	1300	3	10	0820059021
24 V DC	External	2	1300	3	10	0820059071

Dimensions

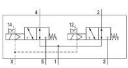
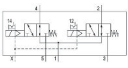
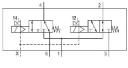




2x3/2-directional valve, Series TC15 - inch

Flow: 1100 l/min
 Activation: Electrically
 Manual override: with detent
 Duty cycle: 100 %
 Type: Spool valve, positive overlapping
 Ambient temperature min./max.: -10 °C ... 50 °C
 Medium temperature min./max.: -10 °C ... 50 °C
 Control pressure min./max.: 3 bar ... 10 bar
 Working pressure min./max.: 10 bar

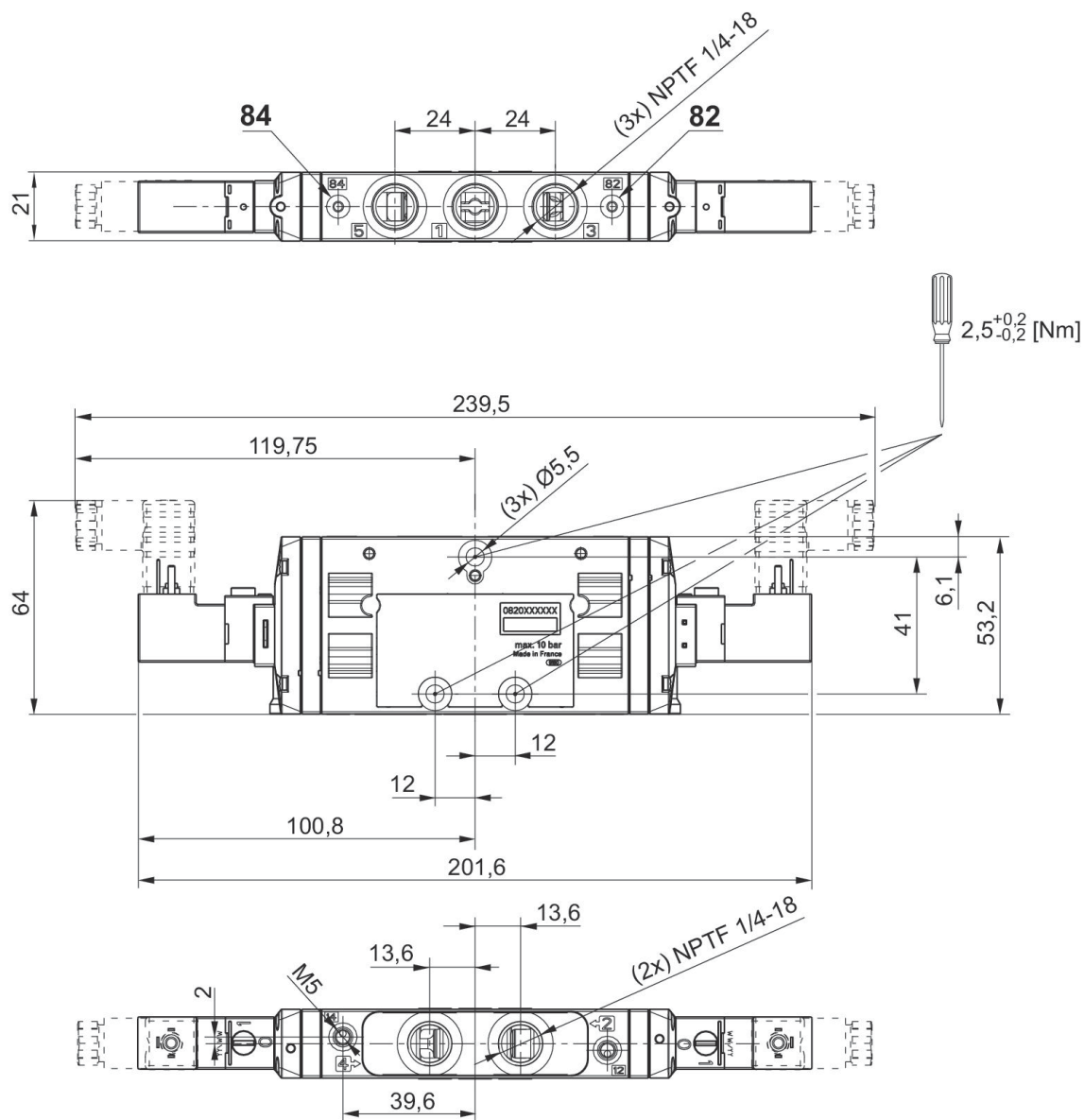


	Valve function	Switching principle	MO	Compressed air connection input	Compressed air connection output	Min. working pressure [bar]	Max. working pressure [bar]	Part No.
	NC/NC	2x 3/2 NC/NC, with spring return	with detent	1/4 - 18 NPTF	1/4 - 18 NPTF	3	10	R422102235
	NC/NC	2x 3/2 NC/NC, with spring return	with detent	1/4 - 18 NPTF	1/4 - 18 NPTF	3	10	R422102237
	NC/NC	2x 3/2 NC/NC, with spring return	with detent	1/4 - 18 NPTF	1/4 - 18 NPTF	3	10	R422102238
	NO/NO	2x 3/2 NO/NO, with spring return	with detent	1/4 - 18 NPTF	1/4 - 18 NPTF	3	10	R422102239
	NO/NO	2x 3/2 NO/NO, with spring return	with detent	1/4 - 18 NPTF	1/4 - 18 NPTF	3	10	R422102241
	NO/NO	2x 3/2 NO/NO, with spring return	with detent	1/4 - 18 NPTF	1/4 - 18 NPTF	3	10	R422102242
	NC/NO	2x 3/2 NC/NO, with spring return	with detent	1/4 - 18 NPTF	1/4 - 18 NPTF	3	10	R422102243
	NC/NO	2x 3/2 NC/NO, with spring return	with detent	1/4 - 18 NPTF	1/4 - 18 NPTF	3	10	R422102245
	NC/NO	2x 3/2 NC/NO, with spring return	with detent	1/4 - 18 NPTF	1/4 - 18 NPTF	3	10	R422102246
	NC/NC	2x 3/2 NC/NC, with spring return	with detent	1/4 - 18 NPTF	1/4 - 18 NPTF	-0.95	10	R422102247
	NC/NC	2x 3/2 NC/NC, with spring return	with detent	1/4 - 18 NPTF	1/4 - 18 NPTF	-0.95	10	R422102249
	NC/NC	2x 3/2 NC/NC, with spring return	with detent	1/4 - 18 NPTF	1/4 - 18 NPTF	-0.95	10	R422102250
	NC/NC	2x 3/2 NC/NC, with spring return	with detent	1/4 - 18 NPTF	1/4 - 18 NPTF	-0.95	10	R422102251

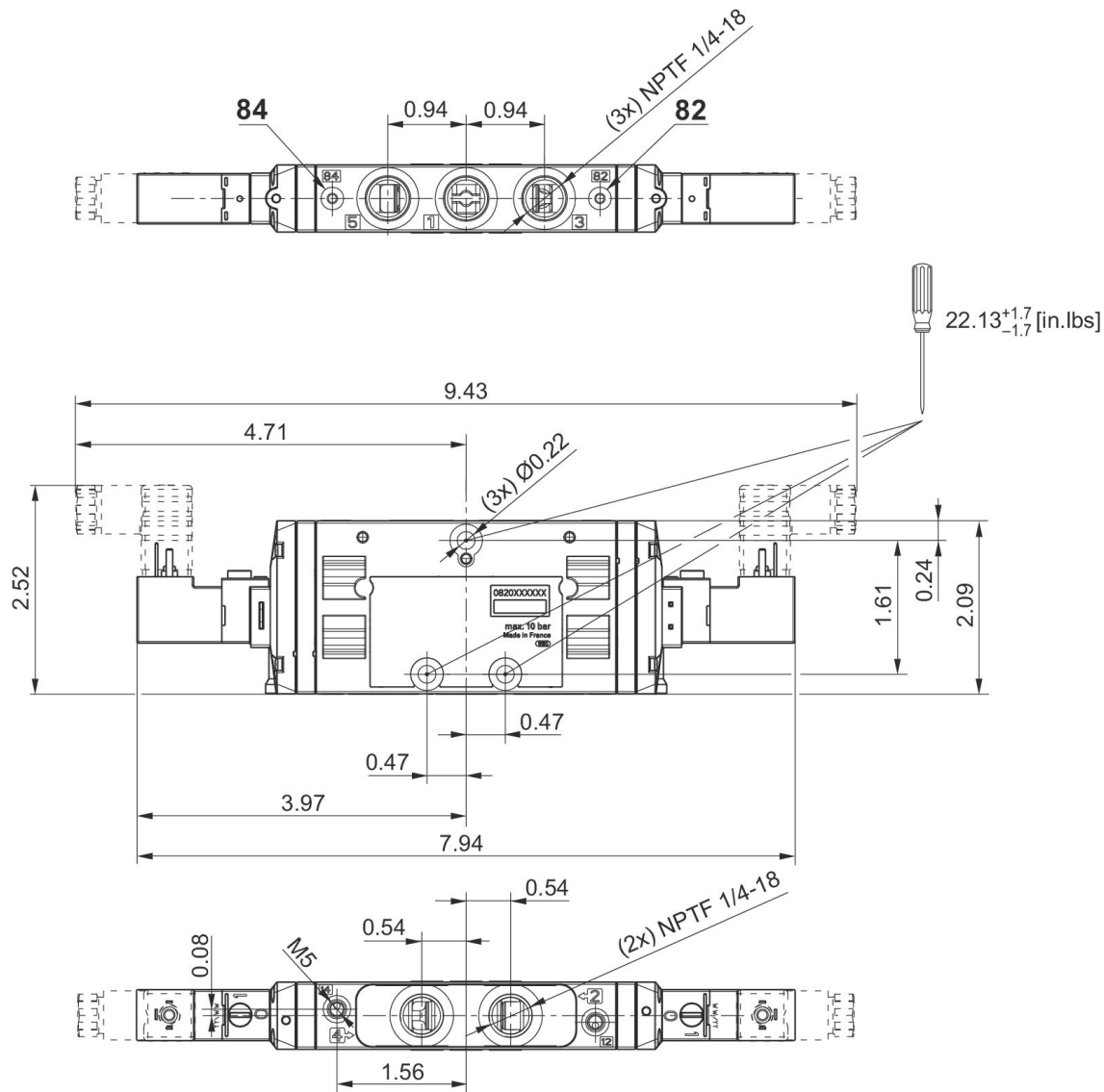
	Valve function	Switching principle	MO	Compressed air connection input	Compressed air connection output	Min. working pressure [bar]	Max. working pressure [bar]	Part No.
	NC/NC	2x 3/2 NC/NC, with spring return	with detent	1/4 - 18 NPTF	1/4 - 18 NPTF	-0.95	10	R422102253
	NC/NC	2x 3/2 NC/NC, with spring return	with detent	1/4 - 18 NPTF	1/4 - 18 NPTF	-0.95	10	R422102254
	NC/NO	2x 3/2 NC/NO, with spring return	with detent	1/4 - 18 NPTF	1/4 - 18 NPTF	-0.95	10	R422102255
	NC/NO	2x 3/2 NC/NO, with spring return	with detent	1/4 - 18 NPTF	1/4 - 18 NPTF	-0.95	10	R422102257
	NC/NO	2x 3/2 NC/NO, with spring return	with detent	1/4 - 18 NPTF	1/4 - 18 NPTF	-0.95	10	R422102258

Operational voltage	Pilot	Power consumption DC [W]	Flow Qn [l/min]	Min. control pressure [bar]	Max. control pressure [bar]	Part No.
12 V DC	Internal	2	1100	3	10	R422102235
110 V AC	Internal		1100	3	10	R422102237
230 V AC	Internal		1100	3	10	R422102238
12 V DC	Internal	2	1100	3	10	R422102239
110 V AC	Internal		1100	3	10	R422102241
230 V AC	Internal		1100	3	10	R422102242
12 V DC	Internal	2	1100	3	10	R422102243
110 V AC	Internal		1100	3	10	R422102245
230 V AC	Internal		1100	3	10	R422102246
12 V DC	External	2	1100	3	10	R422102247
110 V AC	External		1100	3	10	R422102249
230 V AC	External		1100	3	10	R422102250
12 V DC	External	2	1100	3	10	R422102251
110 V AC	External		1100	3	10	R422102253
230 V AC	External		1100	3	10	R422102254
12 V DC	External	2	1100	3	10	R422102255
110 V AC	External		1100	3	10	R422102257
230 V AC	External		1100	3	10	R422102258

Dimensions in mm



Dimensions in inches



2x3/2-directional valve, Series TC15 - inch

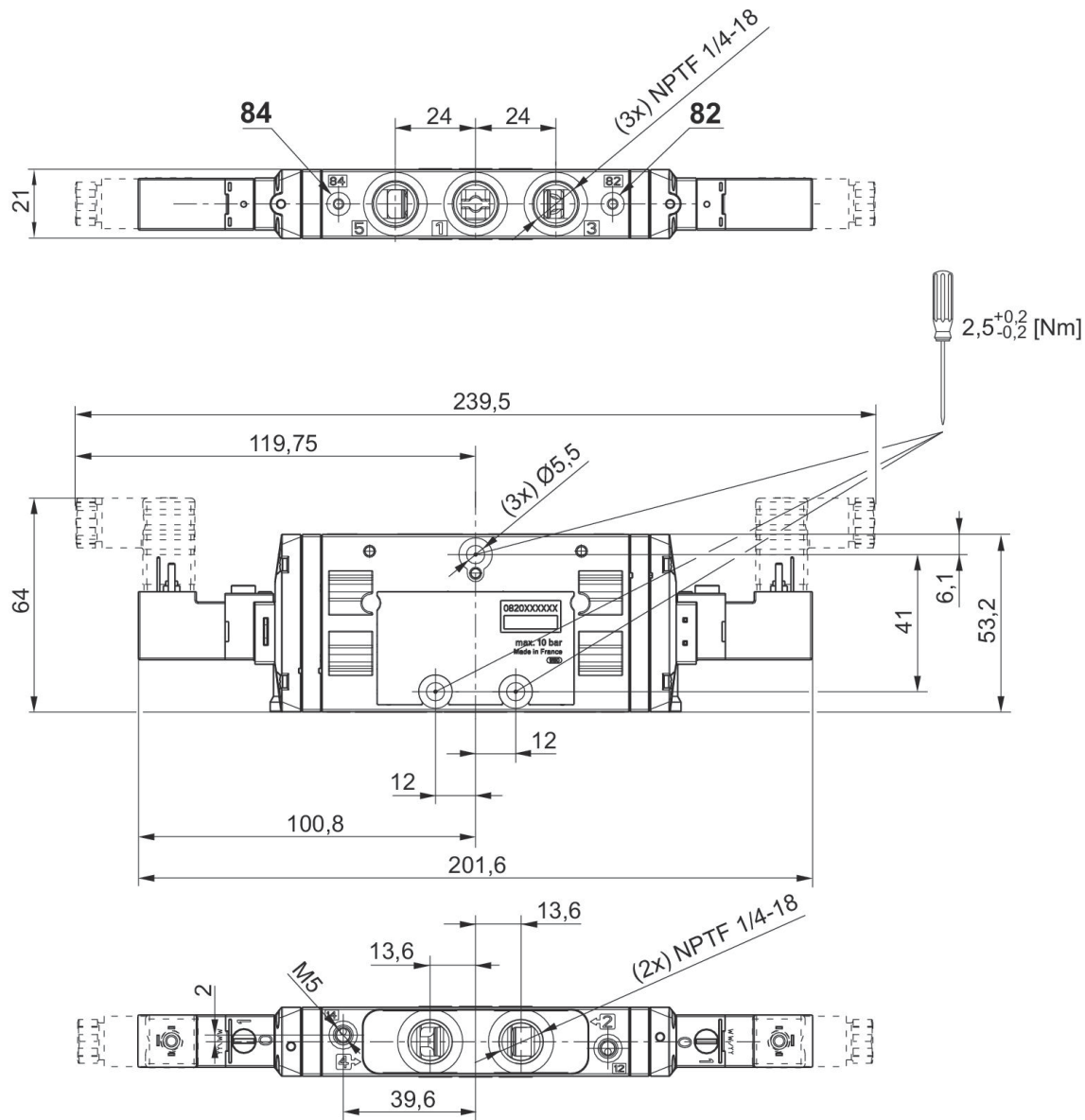
Flow: 1100 l/min
 Activation: Electrically
 Manual override: with detent
 Duty cycle: 100 %
 Type: Spool valve, positive overlapping
 Ambient temperature min./max.: -10 °C ... 50 °C
 Medium temperature min./max.: -10 °C ... 50 °C
 Control pressure min./max.: 3 bar ... 10 bar
 Working pressure min./max.: 10 bar



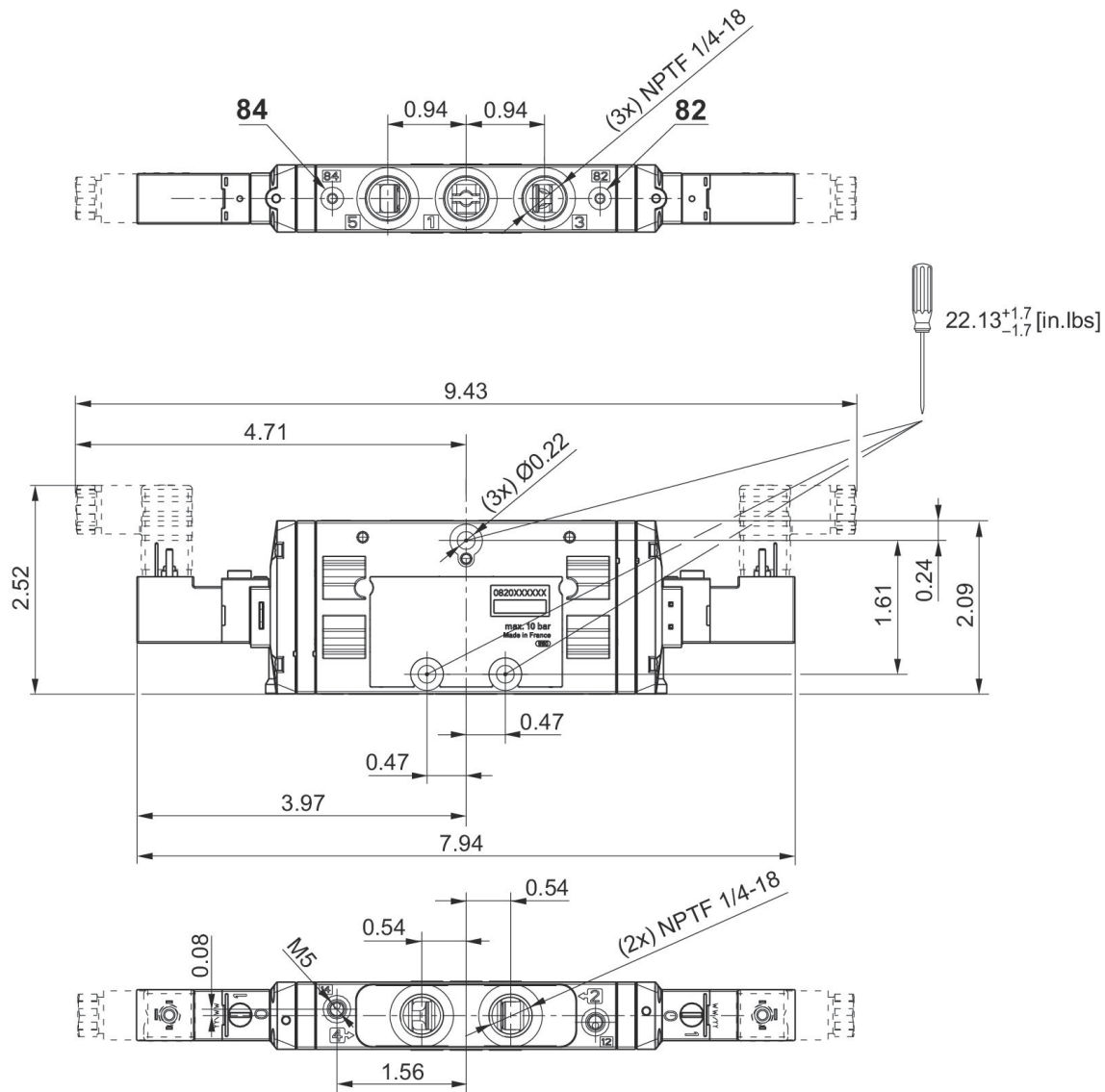
	Valve function	Switching principle	MO	Compressed air connection input	Compressed air connection output	Min. working pressure [bar]	Max. working pressure [bar]	Part No.
	NC/NC	2x 3/2 NC/NC, with spring return	with detent	1/4 - 18 NPTF	1/4 - 18 NPTF	3	10	R422102236
	NO/NO	2x 3/2 NO/NO, with spring return	with detent	1/4 - 18 NPTF	1/4 - 18 NPTF	3	10	R422102240
	NC/NO	2x 3/2 NC/NO, with spring return	with detent	1/4 - 18 NPTF	1/4 - 18 NPTF	3	10	R422102244
	NC/NC	2x 3/2 NC/NC, with spring return	with detent	1/4 - 18 NPTF	1/4 - 18 NPTF	-0.95	10	R422102248
	NC/NC	2x 3/2 NC/NC, with spring return	with detent	1/4 - 18 NPTF	1/4 - 18 NPTF	-0.95	10	R422102252
	NC/NO	2x 3/2 NC/NO, with spring return	with detent	1/4 - 18 NPTF	1/4 - 18 NPTF	-0.95	10	R422102256

Operational voltage	Pilot	Power consumption DC [W]	Flow Qn [l/min]	Min. control pressure [bar]	Max. control pressure [bar]	Part No.
24 V DC	Internal	2	1100	3	10	R422102236
24 V DC	Internal	2	1100	3	10	R422102240
24 V DC	Internal	2	1100	3	10	R422102244
24 V DC	External	2	1100	3	10	R422102248
24 V DC	External	2	1100	3	10	R422102252
24 V DC	External	2	1100	3	10	R422102256

Dimensions in mm



Dimensions in inches



5/2-directional valve, Series TC15, with detent, DC

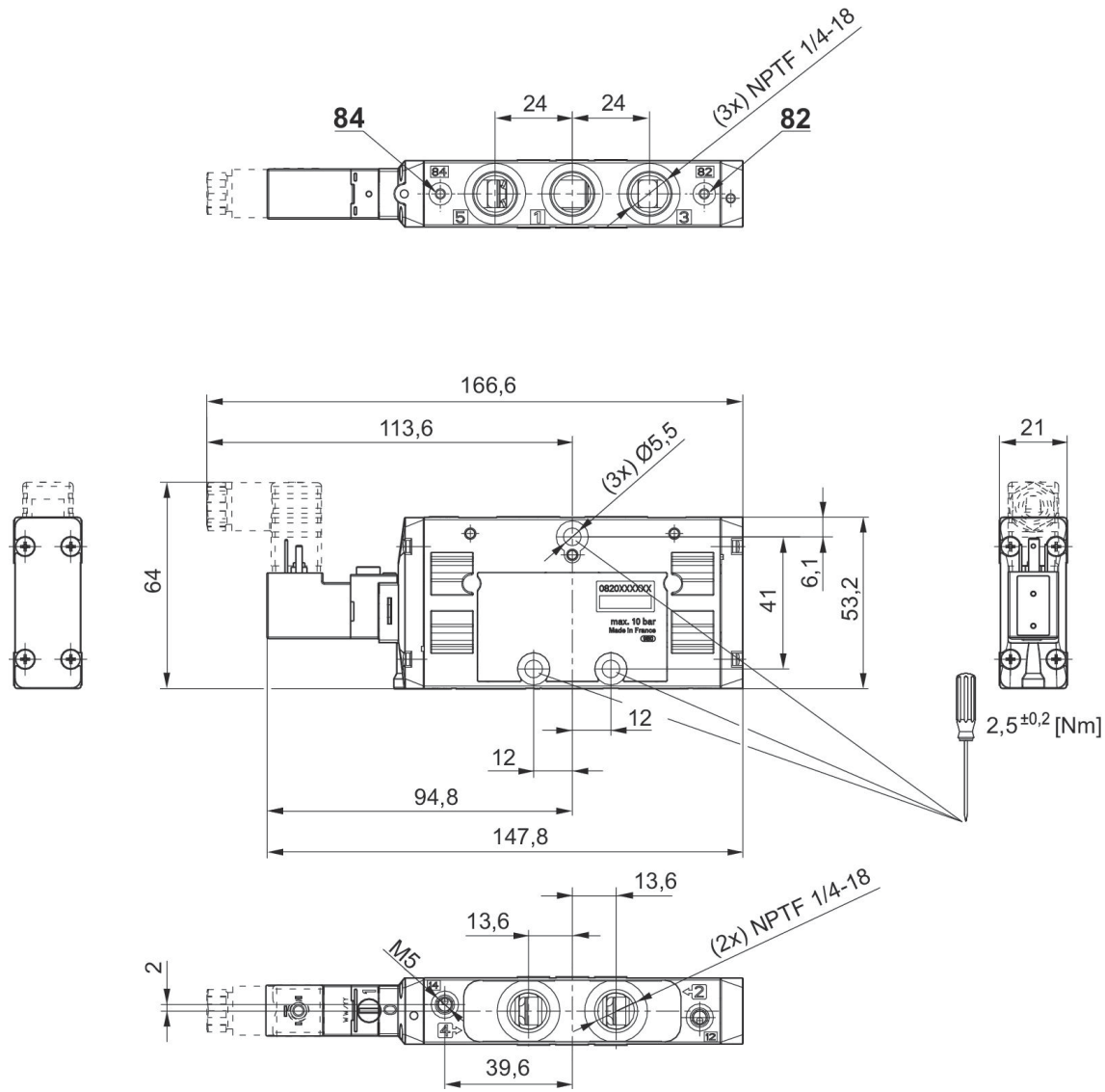
Flow: 1500 l/min
 Activation: Electrically
 Manual override: with detent
 Duty cycle: 100 %
 Type: Spool valve, positive overlapping
 Ambient temperature min./max.: -10 °C ... 50 °C
 Medium temperature min./max.: -10 °C ... 50 °C
 Control pressure min./max.: 10 bar
 Working pressure min./max.: 10 bar



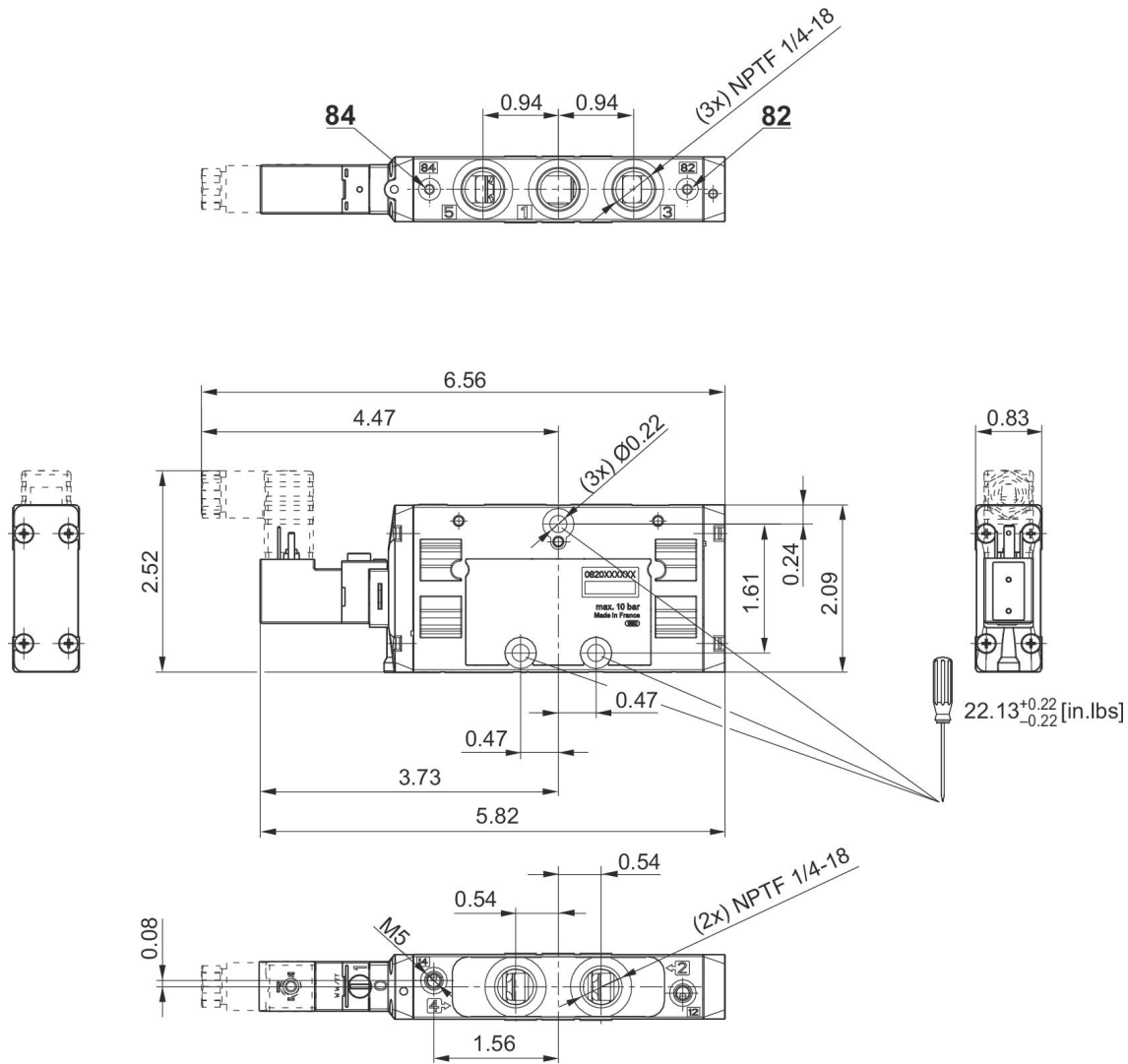
	Switching principle	MO	Compressed air connection input	Compressed air connection output	Min. working pressure [bar]	Max. working pressure [bar]	Operational voltage	Part No.
	5/2, with air spring return	with detent	1/4 - 18 NPTF	1/4 - 18 NPTF	2.5	10	24 V DC	R422101249
	5/2, with air spring return	with detent	1/4 - 18 NPTF	1/4 - 18 NPTF	-0.9	10	24 V DC	R422101253
	5/2, with air spring return	with detent	1/4 - 18 NPTF	1/4 - 18 NPTF	3	10	24 V DC	R422101257
	5/2, with air spring return	with detent	1/4 - 18 NPTF	1/4 - 18 NPTF	-0.9	10	24 V DC	R422101261

Pilot	Power consumption DC [W]	Flow Qn [l/min]	Min. control pressure [bar]	Max. control pressure [bar]	Part No.
Internal	2	1500	2.5	10	R422101249
External	2	1500	2.5	10	R422101253
Internal	2	1500	3	10	R422101257
External	2	1500	3	10	R422101261

Dimensions in mm
Double Solenoid



Dimensions in inches
Double Solenoid



5/2-directional valve, Series TC15, with detent, AC

Flow: 1500 l/min
 Activation: Electrically
 Manual override: with detent
 Duty cycle: 100 %
 Type: Spool valve, positive overlapping
 Ambient temperature min./max.: -10 °C ... 50 °C
 Medium temperature min./max.: -10 °C ... 50 °C
 Control pressure min./max.: 10 bar
 Working pressure min./max.: 10 bar

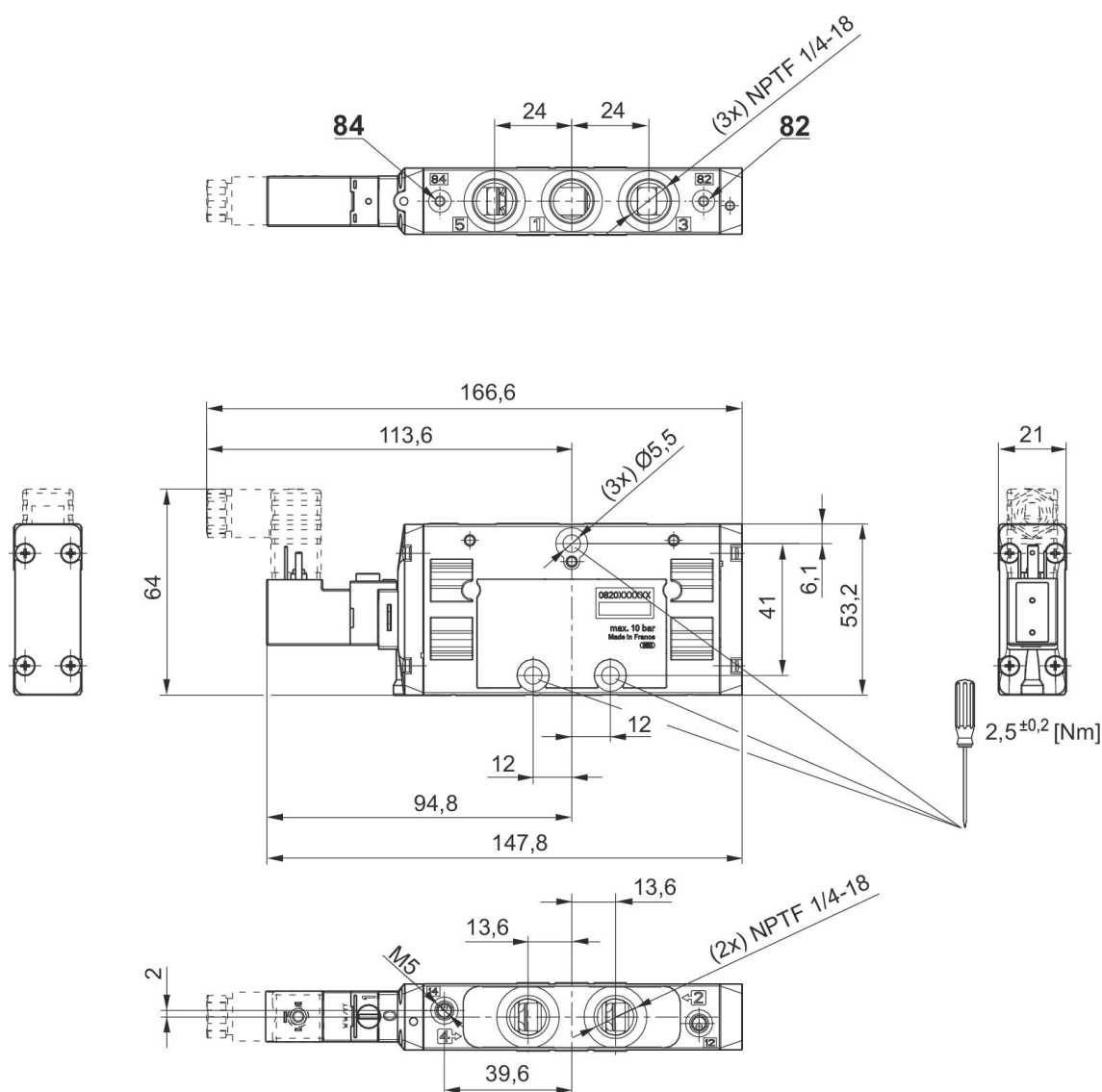


	Switching principle	MO	Compressed air connection input	Compressed air connection output	Min. working pressure [bar]	Max. working pressure [bar]	Operational voltage	Part No.
	5/2, with air spring return	with detent	1/4 - 18 NPTF	1/4 - 18 NPTF	2.5	10	12 V DC	R422101248
	5/2, with air spring return	with detent	1/4 - 18 NPTF	1/4 - 18 NPTF	2.5	10	110 V AC	R422101250
	5/2, with air spring return	with detent	1/4 - 18 NPTF	1/4 - 18 NPTF	2.5	10	230 V AC	R422101251
	5/2, with air spring return	with detent	1/4 - 18 NPTF	1/4 - 18 NPTF	-0.9	10	12 V DC	R422101252
	5/2, with air spring return	with detent	1/4 - 18 NPTF	1/4 - 18 NPTF	-0.9	10	110 V AC	R422101254
	5/2, with air spring return	with detent	1/4 - 18 NPTF	1/4 - 18 NPTF	-0.9	10	230 V AC	R422101255
	5/2, with spring return	with detent	1/4 - 18 NPTF	1/4 - 18 NPTF	3	10	12 V DC	R422101256
	5/2, with spring return	with detent	1/4 - 18 NPTF	1/4 - 18 NPTF	3	10	110 V AC	R422101258
	5/2, with spring return	with detent	1/4 - 18 NPTF	1/4 - 18 NPTF	3	10	230 V AC	R422101259
	5/2, with spring return	with detent	1/4 - 18 NPTF	1/4 - 18 NPTF	-0.9	10	12 V DC	R422101260
	5/2, with spring return	with detent	1/4 - 18 NPTF	1/4 - 18 NPTF	-0.9	10	110 V AC	R422101262
	5/2, with spring return	with detent	1/4 - 18 NPTF	1/4 - 18 NPTF	-0.9	10	230 V AC	R422101263

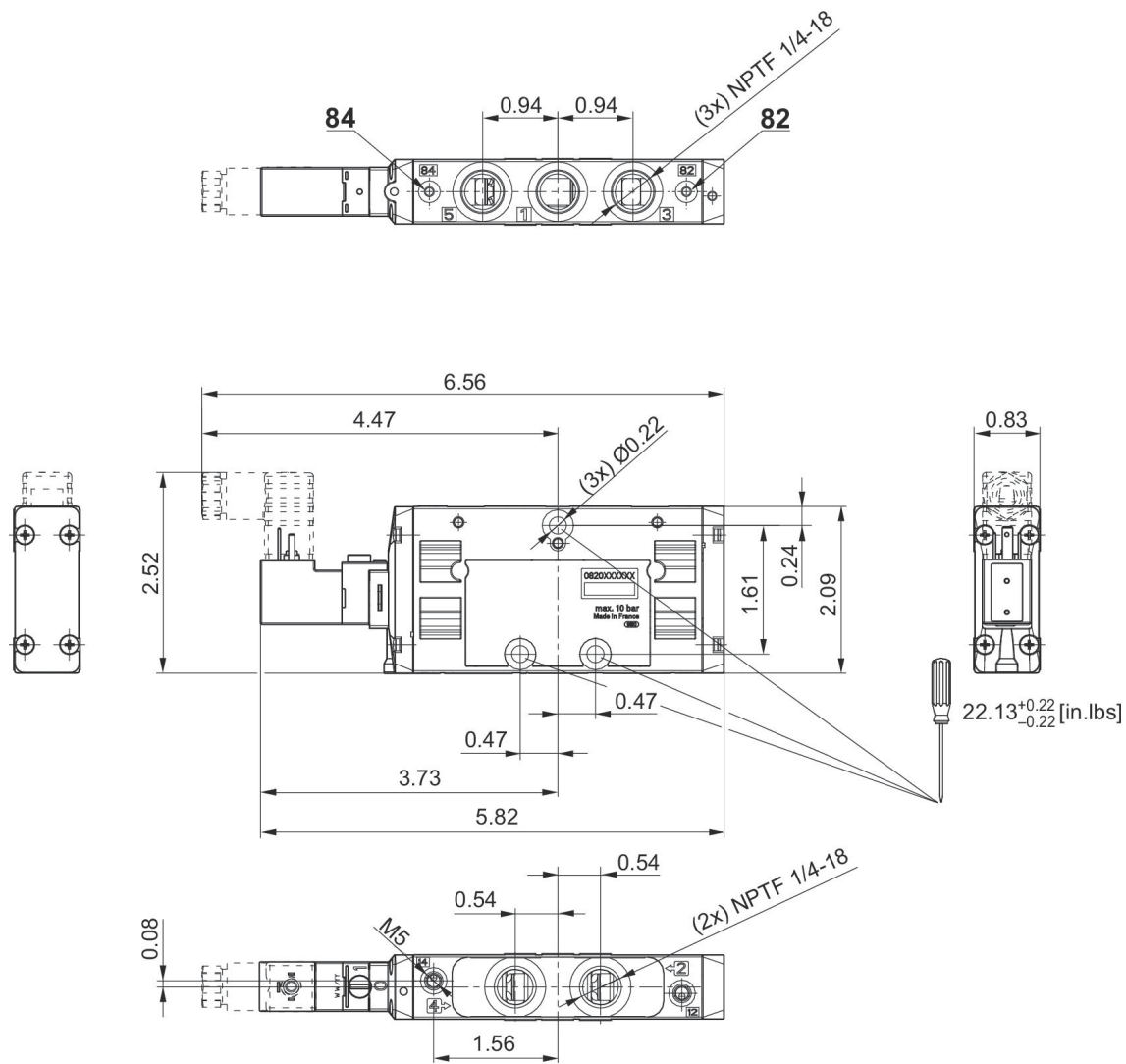
Pilot	Power consumption DC [W]	Flow Qn [l/min]	Min. control pressure [bar]	Max. control pressure [bar]	Part No.
Internal	2	1500	2.5	10	R422101248
Internal		1500	2.5	10	R422101250
Internal		1500	2.5	10	R422101251

Pilot	Power consumption DC [W]	Flow Qn [l/min]	Min. control pressure [bar]	Max. control pressure [bar]	Part No.
External	2	1500	2.5	10	R422101252
External		1500	2.5	10	R422101254
External		1500	2.5	10	R422101255
Internal	2	1500	3	10	R422101256
Internal		1500	3	10	R422101258
Internal		1500	3	10	R422101259
External	2	1500	3	10	R422101260
External		1500	3	10	R422101262
External		1500	3	10	R422101263

Dimensions in mm
Double Solenoid



Dimensions in inches
Double Solenoid



5/2-directional valve, Series TC15, double,

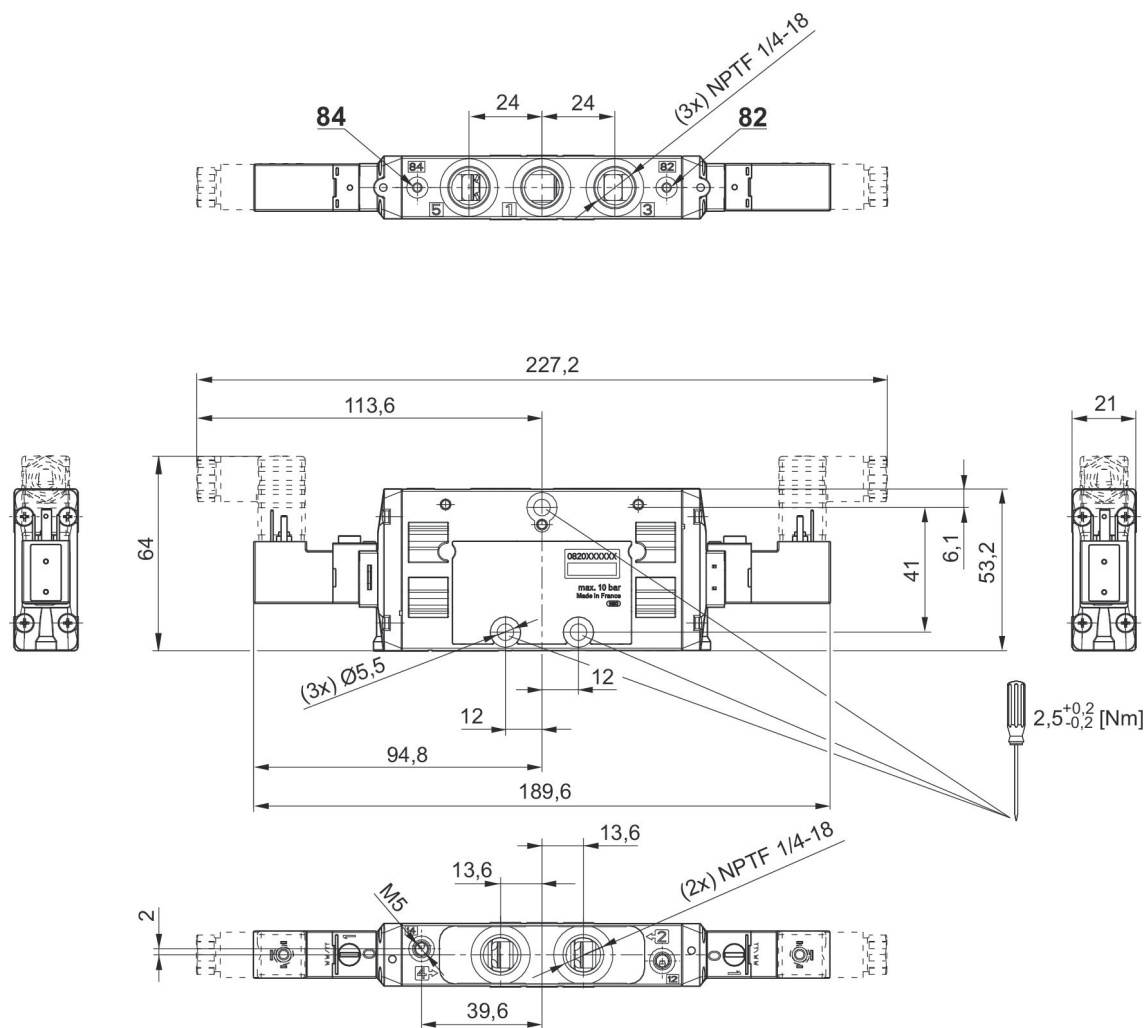
Flow: 1500 l/min
 Activation: Electrically
 Manual override: with detent
 Duty cycle: 100 %
 Type: Spool valve, positive overlapping
 Ambient temperature min./max.: -10 °C ... 50 °C
 Medium temperature min./max.: -10 °C ... 50 °C
 Control pressure min./max.: 10 bar
 Working pressure min./max.: 10 bar



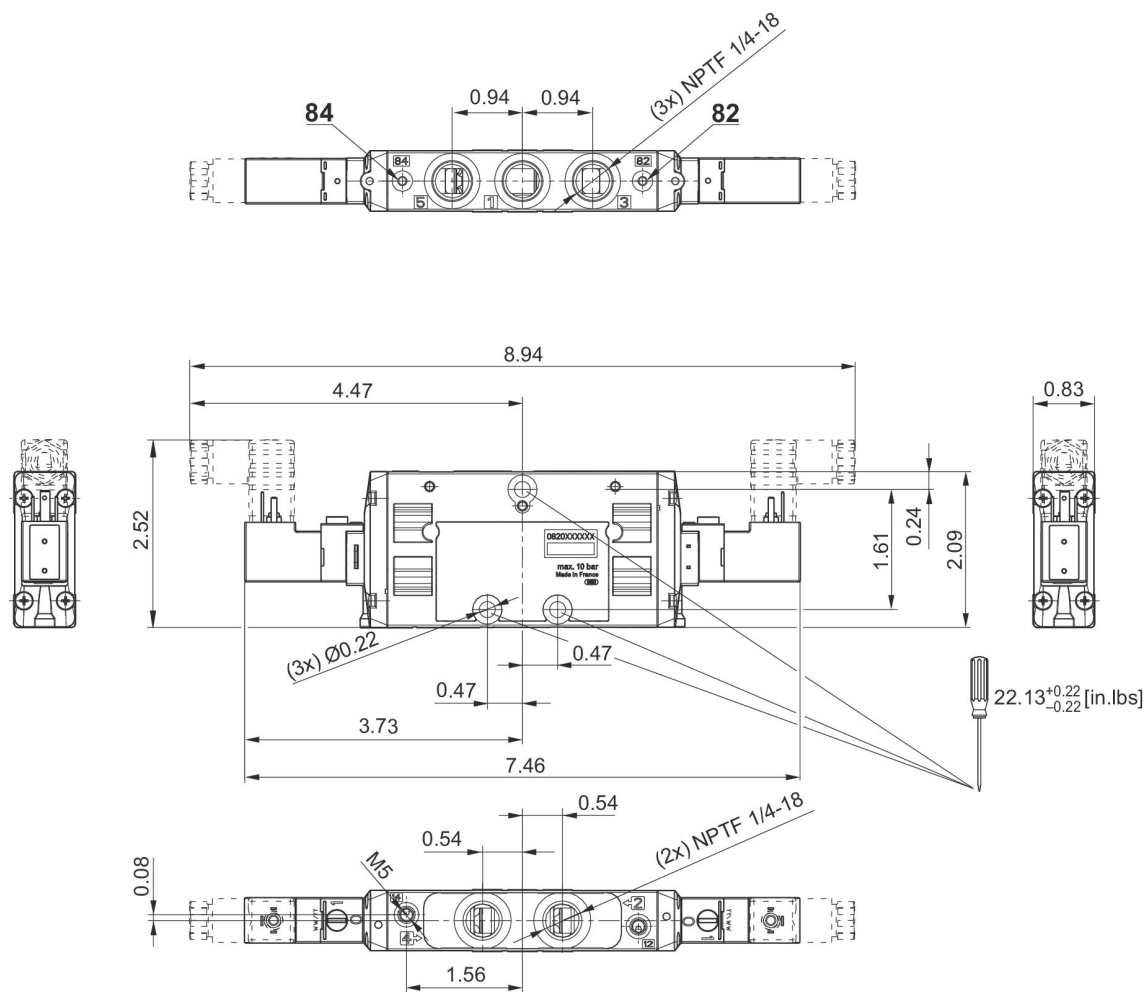
	Switching principle	MO	Compressed air connection input	Compressed air connection output	Min. working pressure [bar]	Max. working pressure [bar]	Operational voltage	Part No.
	5/2, double solenoid	with detent	1/4 - 18 NPTF	1/4 - 18 NPTF	2	10	24 V DC	R422101265
	5/2, double solenoid	with detent	1/4 - 18 NPTF	1/4 - 18 NPTF	-0.9	10	24 V DC	R422101269

Pilot	Power consumption DC [W]	Flow Qn [l/min]	Min. control pressure [bar]	Max. control pressure [bar]	Part No.
Internal	2	1500	2	10	R422101265
External	2	1500	2	10	R422101269

Dimensions in mm
Double Solenoid



Dimensions in inches
Double Solenoid



5/2-directional valve, Series TC15, double, with detend, AC

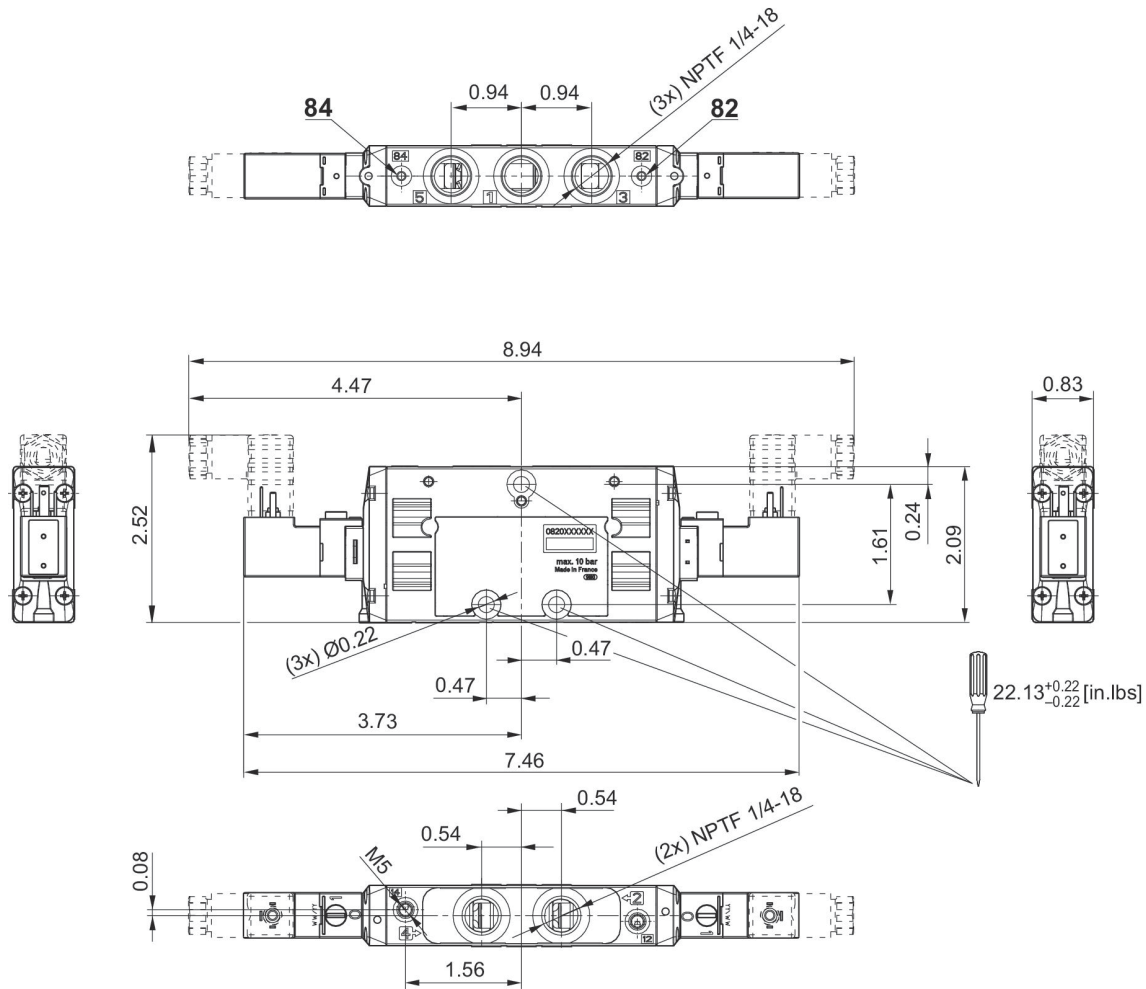
Flow: 1500 l/min
 Activation: Electrically
 Manual override: with detent
 Duty cycle: 100 %
 Type: Spool valve, positive overlapping
 Ambient temperature min./max.: -10 °C ... 50 °C
 Medium temperature min./max.: -10 °C ... 50 °C
 Control pressure min./max.: 10 bar
 Working pressure min./max.: 10 bar



	Switching principle	MO	Compressed air connection input	Compressed air connection output	Min. working pressure [bar]	Max. working pressure [bar]	Operational voltage	Part No.
	5/2, double solenoid	with detent	1/4 - 18 NPTF	1/4 - 18 NPTF	2	10	12 V DC	R422101264
	5/2, double solenoid	with detent	1/4 - 18 NPTF	1/4 - 18 NPTF	2	10	110 V AC	R422101266
	5/2, double solenoid	with detent	1/4 - 18 NPTF	1/4 - 18 NPTF	2	10	230 V AC	R422101267
	5/2, double solenoid	with detent	1/4 - 18 NPTF	1/4 - 18 NPTF	-0.9	10	12 V DC	R422101268
	5/2, double solenoid	with detent	1/4 - 18 NPTF	1/4 - 18 NPTF	-0.9	10	110 V AC	R422101270
	5/2, double solenoid	with detent	1/4 - 18 NPTF	1/4 - 18 NPTF	-0.9	10	230 V AC	R422101271

Pilot	Power consumption DC [W]	Flow Qn [l/min]	Min. control pressure [bar]	Max. control pressure [bar]	Part No.
Internal	2	1500	2	10	R422101264
Internal		1500	2	10	R422101266
Internal		1500	2	10	R422101267
External	2	1500	2	10	R422101268
External		1500	2	10	R422101270
External		1500	2	10	R422101271

Dimensions in inches
Double Solenoid



5/3-directional valve, Series TC15, double, with detend, AC

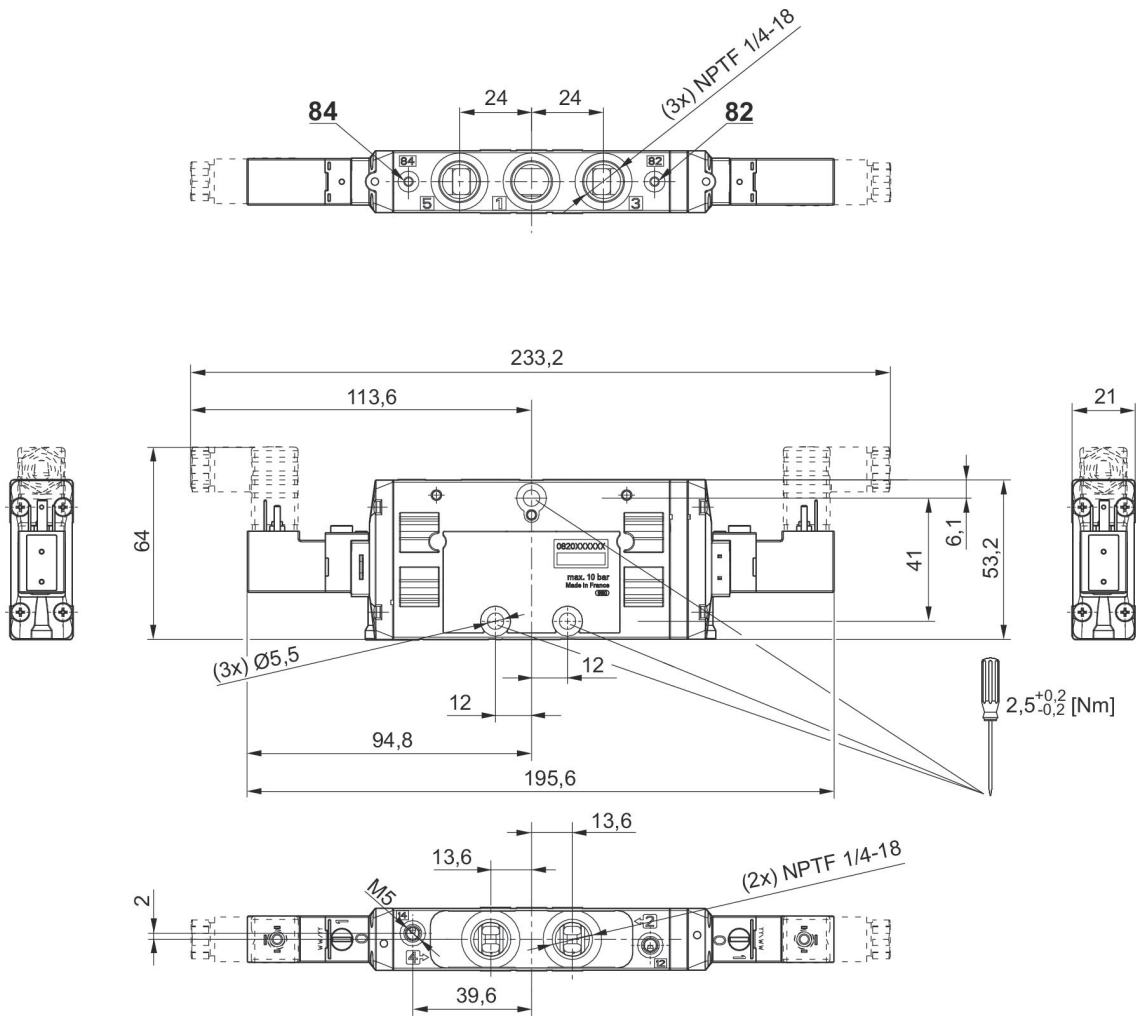
Flow: 1300 l/min
 Activation: Electrically
 Manual override: with detent
 Duty cycle: 100 %
 Type: Spool valve, positive overlapping
 Ambient temperature min./max.: -10 °C ... 50 °C
 Medium temperature min./max.: -10 °C ... 50 °C
 Control pressure min./max.: 3 bar ... 10 bar
 Working pressure min./max.: 10 bar



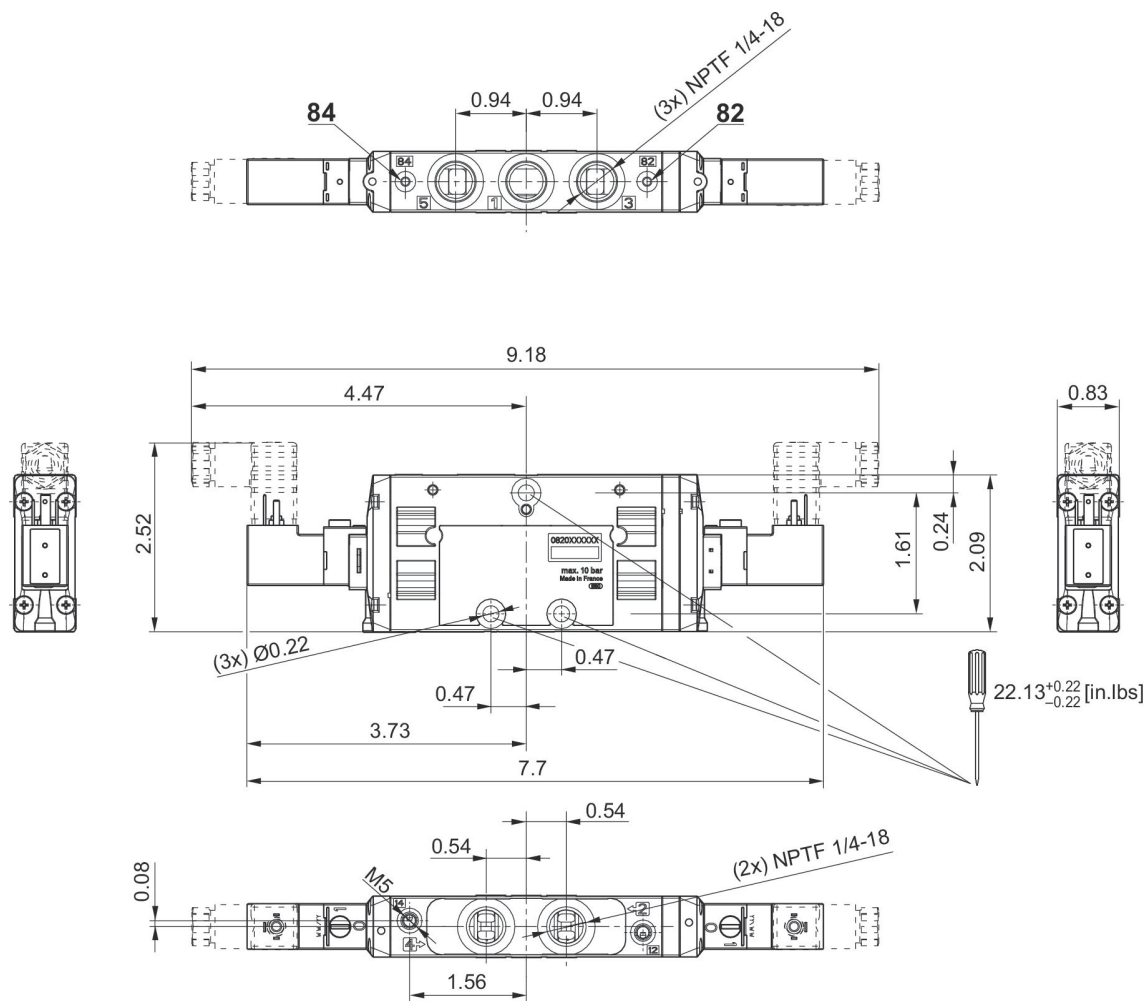
	Valve function	Switching principle	MO	Compressed air connection input	Compressed air connection output	Min. working pressure [bar]	Max. working pressure [bar]	Part No.
	Closed Center	5/3, closed center	with detent	1/4 - 18 NPTF	1/4 - 18 NPTF	3	10	R422101272
	Closed Center	5/3, closed center	with detent	1/4 - 18 NPTF	1/4 - 18 NPTF	3	10	R422101274
	Closed Center	5/3, closed center	with detent	1/4 - 18 NPTF	1/4 - 18 NPTF	3	10	R422101275
	Closed Center	5/3, closed center	with detent	1/4 - 18 NPTF	1/4 - 18 NPTF	-0.9	10	R422101276
	Closed Center	5/3, closed center	with detent	1/4 - 18 NPTF	1/4 - 18 NPTF	-0.9	10	R422101278
	Closed Center	5/3, closed center	with detent	1/4 - 18 NPTF	1/4 - 18 NPTF	-0.9	10	R422101279
	Exhausted Center	5/3, exhausted center	with detent	1/4 - 18 NPTF	1/4 - 18 NPTF	3	10	R422101280
	Exhausted Center	5/3, exhausted center	with detent	1/4 - 18 NPTF	1/4 - 18 NPTF	3	10	R422101282
	Exhausted Center	5/3, exhausted center	with detent	1/4 - 18 NPTF	1/4 - 18 NPTF	3	10	R422101283
	Exhausted Center	5/3, exhausted center	with detent	1/4 - 18 NPTF	1/4 - 18 NPTF	-0.9	10	R422101284
	Exhausted Center	5/3, exhausted center	with detent	1/4 - 18 NPTF	1/4 - 18 NPTF	-0.9	10	R422101286
	Exhausted Center	5/3, exhausted center	with detent	1/4 - 18 NPTF	1/4 - 18 NPTF	-0.9	10	R422101287
	Pressurized Center	5/3, pressurized center	with detent	1/4 - 18 NPTF	1/4 - 18 NPTF	3	10	R422101288
	Pressurized Center	5/3, pressurized center	with detent	1/4 - 18 NPTF	1/4 - 18 NPTF	3	10	R422101290
	Pressurized Center	5/3, pressurized center	with detent	1/4 - 18 NPTF	1/4 - 18 NPTF	3	10	R422101291
	Pressurized Center	5/3, pressurized center	with detent	1/4 - 18 NPTF	1/4 - 18 NPTF	-0.9	10	R422101292
	Pressurized Center	5/3, pressurized center	with detent	1/4 - 18 NPTF	1/4 - 18 NPTF	-0.9	10	R422101294
	Pressurized Center	5/3, pressurized center	with detent	1/4 - 18 NPTF	1/4 - 18 NPTF	-0.9	10	R422101295

Operational voltage	Pilot	Power consumption DC [W]	Flow Qn [l/min]	Min. control pressure [bar]	Max. control pressure [bar]	Part No.
12 V DC	Internal	2	1300	3	10	R422101272
110 V AC	Internal		1300	3	10	R422101274
230 V AC	Internal		1300	3	10	R422101275
12 V DC	External	2	1300	3	10	R422101276
110 V AC	External		1300	3	10	R422101278
230 V AC	External		1300	3	10	R422101279
12 V DC	Internal	2	1300	3	10	R422101280
110 V AC	Internal		1300	3	10	R422101282
230 V AC	Internal		1300	3	10	R422101283
12 V DC	External	2	1300	3	10	R422101284
110 V AC	External		1300	3	10	R422101286
230 V AC	External		1300	3	10	R422101287
12 V DC	Internal	2	1300	3	10	R422101288
110 V AC	Internal		1300	3	10	R422101290
230 V AC	Internal		1300	3	10	R422101291
12 V DC	External	2	1300	3	10	R422101292
110 V AC	External		1300	3	10	R422101294
230 V AC	External		1300	3	10	R422101295

Dimensions in mm



Dimensions in inches



5/3-directional valve, Series TC15, double, with detend, DC

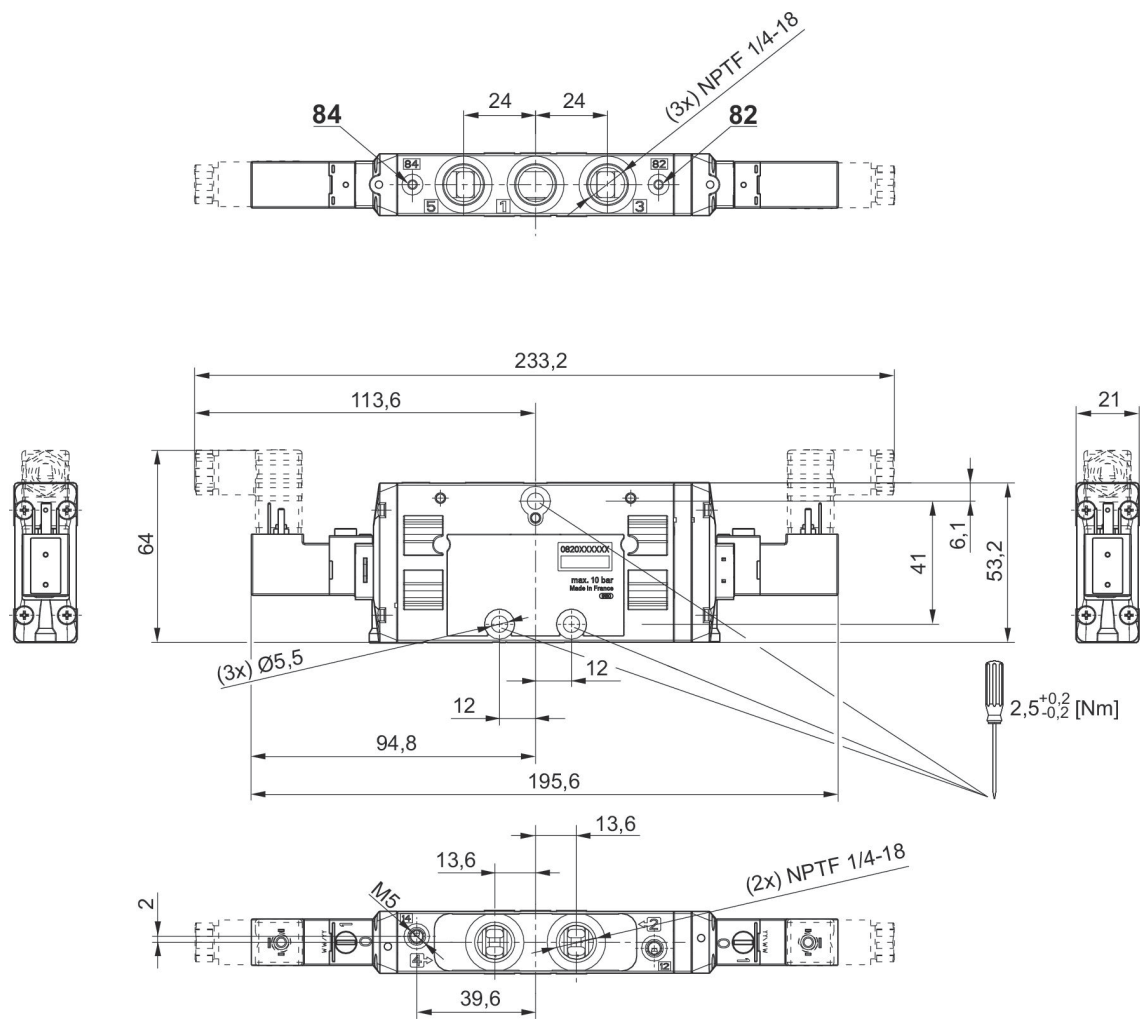
Flow: 1300 l/min
 Activation: Electrically
 Manual override: with detent
 Duty cycle: 100 %
 Type: Spool valve, positive overlapping
 Ambient temperature min./max.: -10 °C ... 50 °C
 Medium temperature min./max.: -10 °C ... 50 °C
 Control pressure min./max.: 3 bar ... 10 bar
 Working pressure min./max.: 10 bar



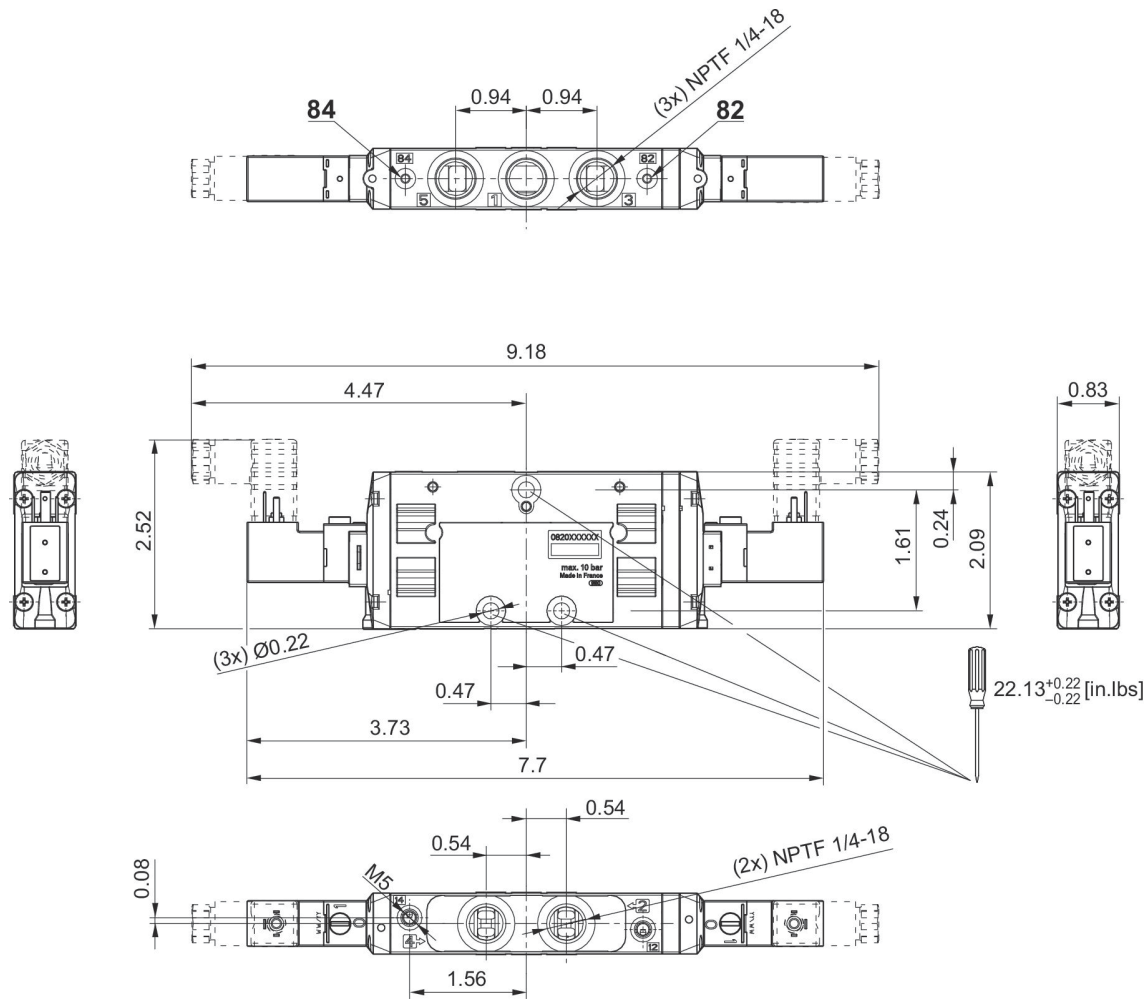
	Valve function	Switching principle	MO	Compressed air connection input	Compressed air connection output	Min. working pressure [bar]	Max. working pressure [bar]	Part No.
	Closed Center	5/3, closed center	with detent	1/4 - 18 NPTF	1/4 - 18 NPTF	3	10	R422101273
	Closed Center	5/3, closed center	with detent	1/4 - 18 NPTF	1/4 - 18 NPTF	-0.9	10	R422101277
	Exhausted Center	5/3, exhausted center	with detent	1/4 - 18 NPTF	1/4 - 18 NPTF	3	10	R422101281
	Exhausted Center	5/3, exhausted center	with detent	1/4 - 18 NPTF	1/4 - 18 NPTF	-0.9	10	R422101285
	Pressurized Center	5/3, pressurized center	with detent	1/4 - 18 NPTF	1/4 - 18 NPTF	3	10	R422101289
	Pressurized Center	5/3, pressurized center	with detent	1/4 - 18 NPTF	1/4 - 18 NPTF	-0.9	10	R422101293

Operational voltage	Pilot	Power consumption DC [W]	Flow Qn [l/min]	Min. control pressure [bar]	Max. control pressure [bar]	Part No.
24 V DC	Internal	2	1300	3	10	R422101273
24 V DC	External	2	1300	3	10	R422101277
24 V DC	Internal	2	1300	3	10	R422101281
24 V DC	External	2	1300	3	10	R422101285
24 V DC	Internal	2	1300	3	10	R422101289
24 V DC	External	2	1300	3	10	R422101293

Dimensions in mm



Dimensions in inches



2x3/2-directional valve, Series TC15, with detent

Flow: 1100 l/min
 Activation: Electrically
 Manual override: with detent
 Duty cycle: 100 %
 Type: Spool valve, positive overlapping
 Ambient temperature min./max.: -10 °C ... 50 °C
 Medium temperature min./max.: -10 °C ... 50 °C
 Control pressure min./max.: 3 bar ... 10 bar
 Working pressure min./max.: 10 bar



	Valve function	Switching principle	MO	Compressed air connection input	Compressed air connection output	Min. working pressure [bar]	Max. working pressure [bar]	Part No.
	NC/NC	2x 3/2 NC/NC, with spring return	with detent	G 1/4	G 1/4	3	10	R422102190
	NO/NO	2x 3/2 NO/NO, with spring return	with detent	G 1/4	G 1/4	3	10	R422102191
	NC/NO	2x 3/2 NC/NO, with spring return	with detent	G 1/4	G 1/4	3	10	R422102192
	NC/NC	2x 3/2 NC/NC, with spring return	with detent	G 1/4	G 1/4	-0.9	10	R422102193
	NO/NO	2x 3/2 NO/NO, with spring return	with detent	G 1/4	G 1/4	-0.9	10	R422102194
	NC/NO	2x 3/2 NC/NO, with spring return	with detent	G 1/4	G 1/4	-0.9	10	R422102195

Operational voltage	Pilot	Power consumption DC [W]	Flow Qn [l/min]	Min. control pressure [bar]	Max. control pressure [bar]	Part No.
24 V DC	Internal	2.2	1100	3	10	R422102190
24 V DC	Internal	2.2	1100	3	10	R422102191
24 V DC	Internal	2.2	1100	3	10	R422102192
24 V DC	External	2.2	1100	3	10	R422102193
24 V DC	External	2.2	1100	3	10	R422102194
24 V DC	External	2.2	1100	3	10	R422102195

5/2-directional valve, Series TC15, double,

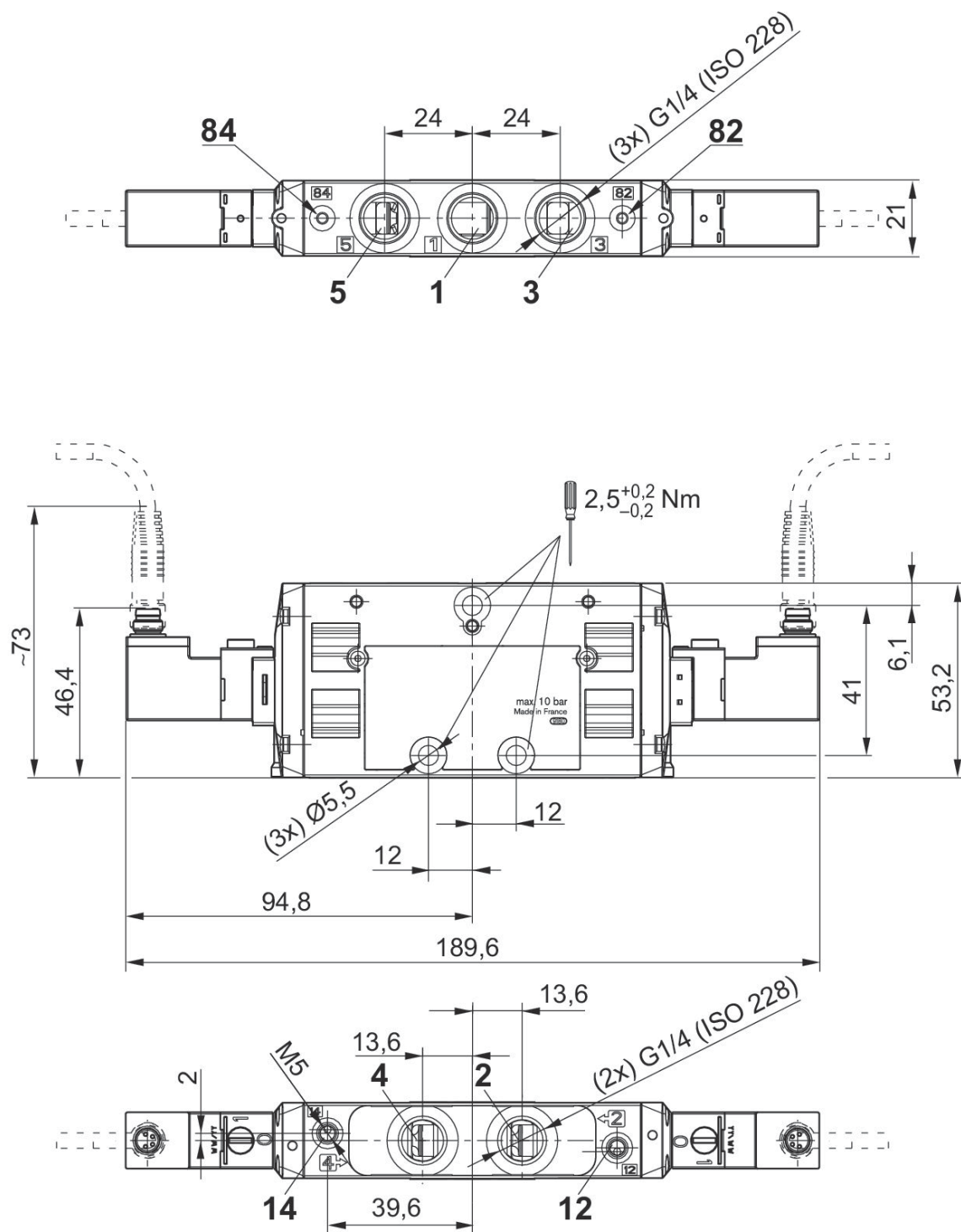
Flow: 1500 l/min
 Activation: Electrically
 Manual override: with detent
 Duty cycle: 100 %
 Type: Spool valve, positive overlapping
 Ambient temperature min./max.: -10 °C ... 50 °C
 Medium temperature min./max.: -10 °C ... 50 °C
 Control pressure min./max.: 10 bar
 Working pressure min./max.: 10 bar



	Switching principle	MO	Compressed air connection input	Compressed air connection output	Min. working pressure [bar]	Max. working pressure [bar]	Operational voltage	Part No.
	5/2, double solenoid	with detent	G 1/4	G 1/4	2	10	24 V DC	R422100990
	5/2, double solenoid	with detent	G 1/4	G 1/4	-0.9	10	24 V DC	R422100991

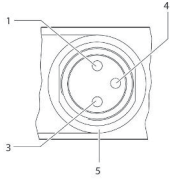
Pilot	Power consumption DC [W]	Flow Qn [l/min]	Min. control pressure [bar]	Max. control pressure [bar]	Part No.
Internal	2.2	1500	2	10	R422100990
External	2.2	1500	2	10	R422100991

Dimensions
Double Solenoid



R422100990, R422100991

PIN assignment and cable colors for valve plug connectors



PIN assignment: 1) PIN not assigned 3) 0 V 4) 24 V 5) LED Cable color 1) Brown 3) Blue 4) Black
Note: Bi-polar protective circuit to prevent overvoltage

5/2-directional valve, Series TC15, with detent, DC

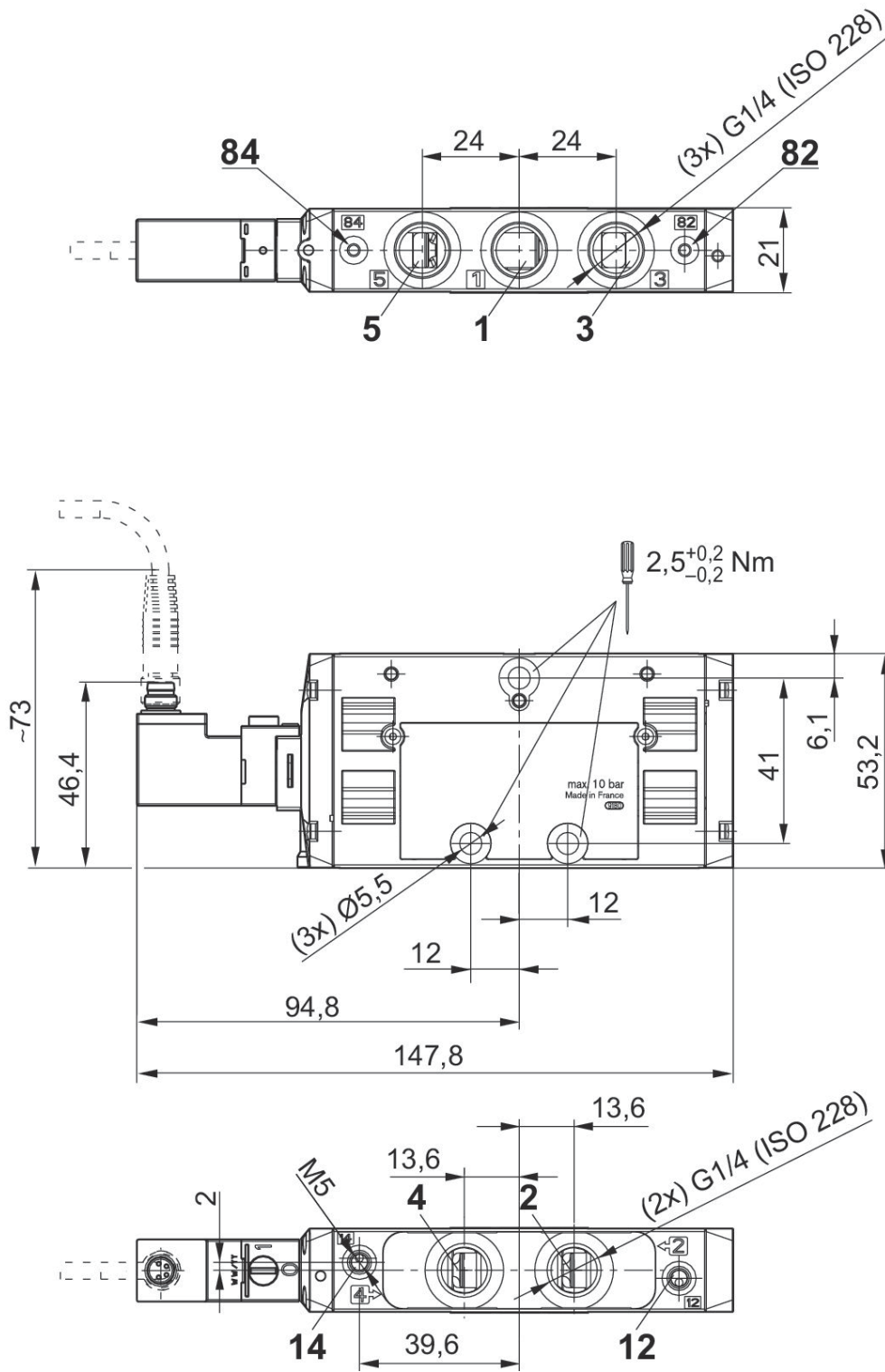
Flow: 1500 l/min
 Activation: Electrically
 Manual override: with detent
 Duty cycle: 100 %
 Type: Spool valve, positive overlapping
 Ambient temperature min./max.: -10 °C ... 50 °C
 Medium temperature min./max.: -10 °C ... 50 °C
 Control pressure min./max.: 10 bar
 Working pressure min./max.: 10 bar



	Switching principle	MO	Compressed air connection input	Compressed air connection output	Min. working pressure [bar]	Max. working pressure [bar]	Operational voltage	Part No.
	5/2, with air spring return	with detent	G 1/4	G 1/4	2.5	10	24 V DC	R422100986
	5/2, with air spring return	with detent	G 1/4	G 1/4	-0.9	10	24 V DC	R422100987
	5/2, with air spring return	with detent	G 1/4	G 1/4	3	10	24 V DC	R422100988
	5/2, with air spring return	with detent	G 1/4	G 1/4	-0.9	10	24 V DC	R422100989

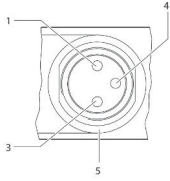
Pilot	Power consumption DC [W]	Flow Qn [l/min]	Min. control pressure [bar]	Max. control pressure [bar]	Part No.
Internal	2.2	1500	2.5	10	R422100986
External	2.2	1500	2.5	10	R422100987
Internal	2.2	1500	3	10	R422100988
External	2.2	1500	3	10	R422100989

Dimensions
Double Solenoid



R422100986, R422100987, R422100988, R422100989

PIN assignment and cable colors for valve plug connectors



PIN assignment: 1) PIN not assigned 3) 0 V 4) 24 V 5) LED Cable color 1) Brown 3) Blue 4) Black
Note: Bi-polar protective circuit to prevent overvoltage

5/3-directional valve, Series TC15

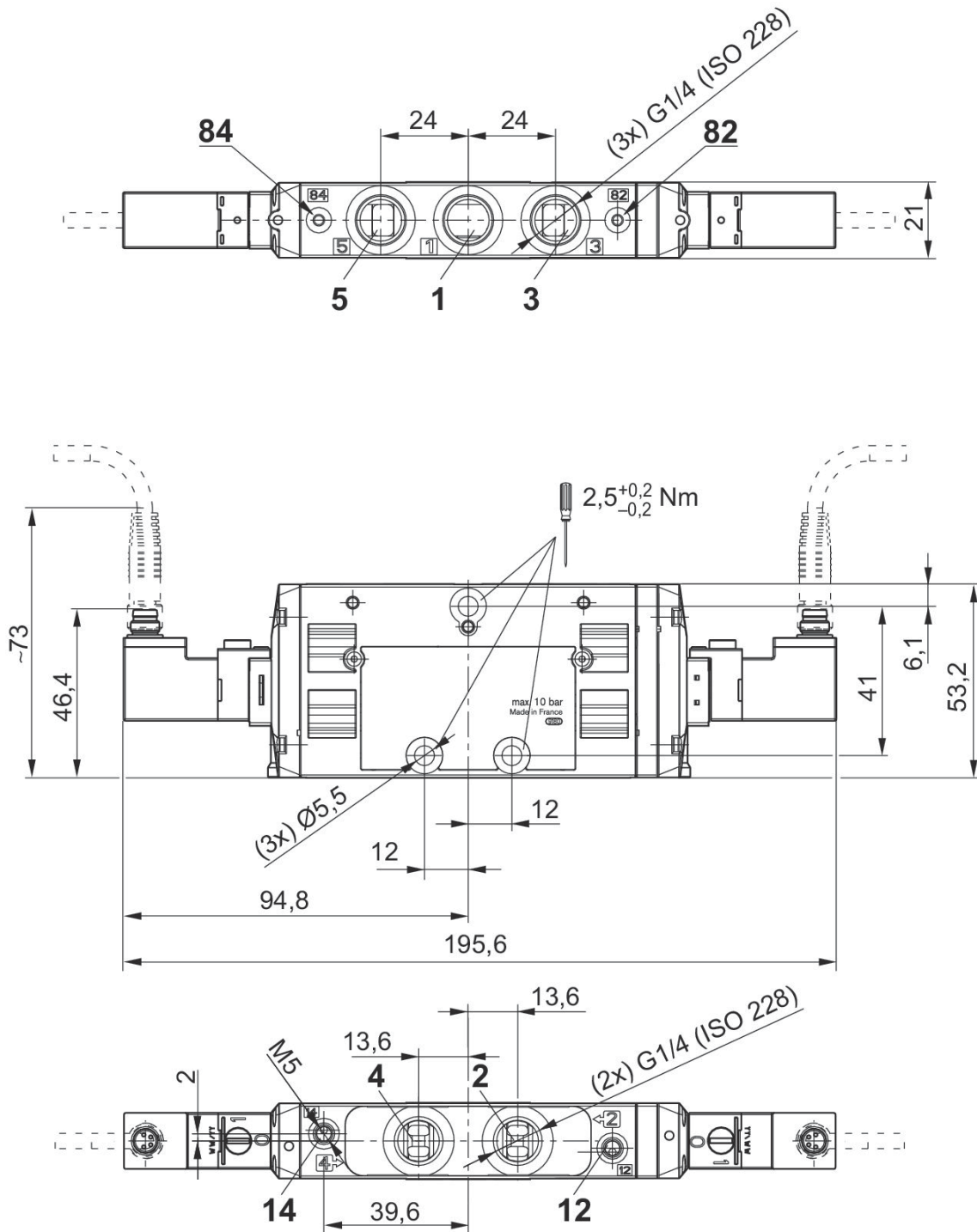
Flow: 1300 l/min
 Activation: Electrically
 Manual override: with detent
 Duty cycle: 100 %
 Type: Spool valve, positive overlapping
 Ambient temperature min./max.: -10 °C ... 50 °C
 Medium temperature min./max.: -10 °C ... 50 °C
 Control pressure min./max.: 3 bar ... 10 bar
 Working pressure min./max.: 10 bar



	Valve function	Switching principle	MO	Compressed air connection input	Compressed air connection output	Min. working pressure [bar]	Max. working pressure [bar]	Part No.
	Closed Center	5/3, closed center	with detent	G 1/4	G 1/4	3	10	R422100992
	Closed Center	5/3, closed center	with detent	G 1/4	G 1/4	-0.9	10	R422100993
	Exhausted Center	5/3, exhausted center	with detent	G 1/4	G 1/4	3	10	R422100994
	Exhausted Center	5/3, exhausted center	with detent	G 1/4	G 1/4	-0.9	10	R422100995
	Pressurized Center	5/3, pressurized center	with detent	G 1/4	G 1/4	3	10	R422100996
	Pressurized Center	5/3, pressurized center	with detent	G 1/4	G 1/4	-0.9	10	R422100997

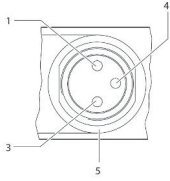
Operational voltage	Pilot	Power consumption DC [W]	Flow Qn [l/min]	Min. control pressure [bar]	Max. control pressure [bar]	Part No.
24 V DC	Internal	2.2	1300	3	10	R422100992
24 V DC	External	2.2	1300	3	10	R422100993
24 V DC	Internal	2.2	1300	3	10	R422100994
24 V DC	External	2.2	1300	3	10	R422100995
24 V DC	Internal	2.2	1300	3	10	R422100996
24 V DC	External	2.2	1300	3	10	R422100997

Dimensions



R422100992, R422100993, R422100994, R422100995, R422100996, R422100997

PIN assignment and cable colors for valve plug connectors



PIN assignment: 1) PIN not assigned 3) 0 V 4) 24 V 5) LED Cable color 1) Brown 3) Blue 4) Black
Note: Bi-polar protective circuit to prevent overvoltage

2x3/2-directional valve, Series TC15, with detent

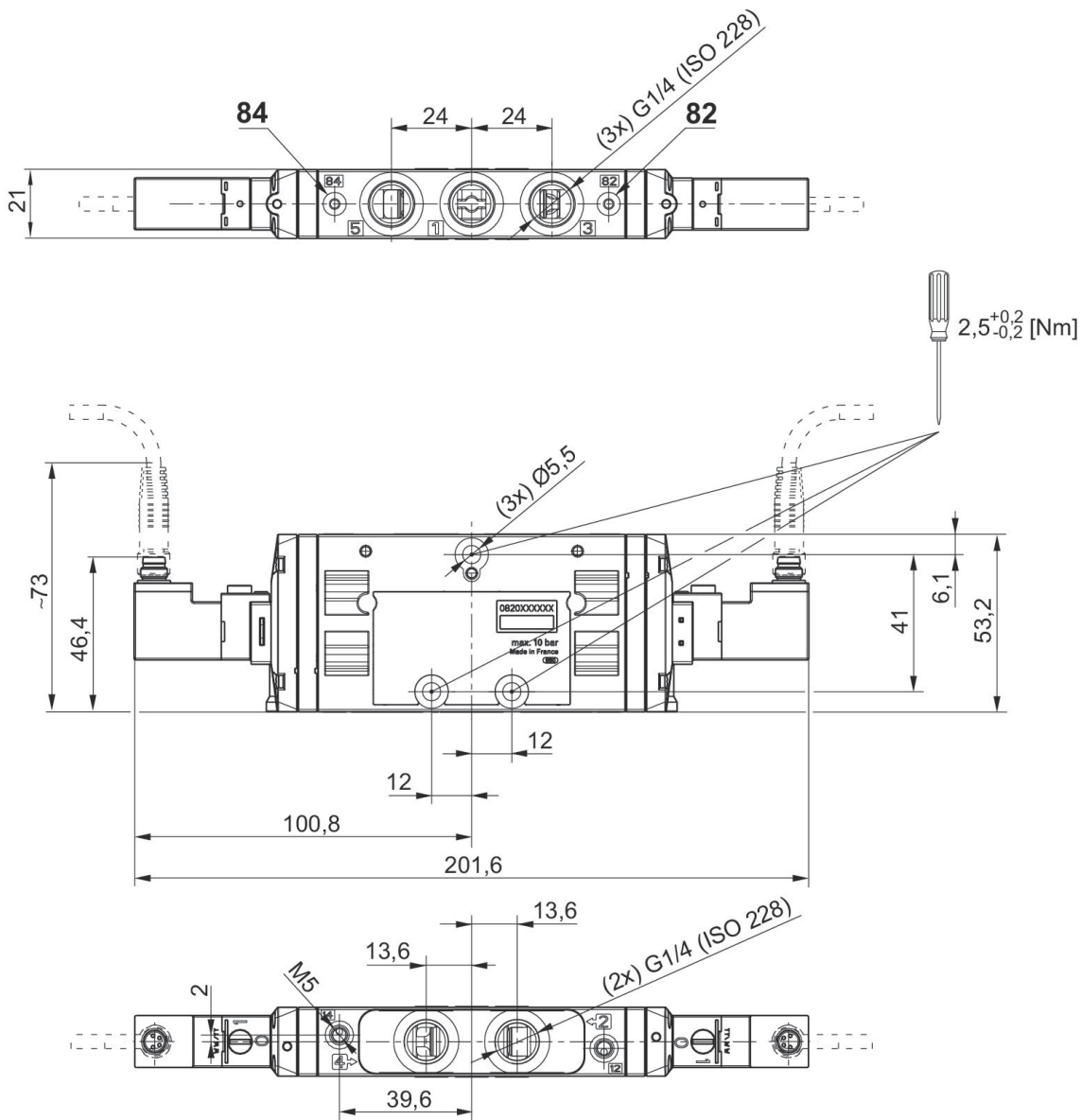
Flow: 1100 l/min
 Activation: Electrically
 Manual override: with detent
 Duty cycle: 100 %
 Type: Spool valve, positive overlapping
 Ambient temperature min./max.: -10 °C ... 50 °C
 Medium temperature min./max.: -10 °C ... 50 °C
 Control pressure min./max.: 3 bar ... 10 bar
 Working pressure min./max.: 10 bar



	Valve function	Switching principle	MO	Compressed air connection input	Compressed air connection output	Min. working pressure [bar]	Max. working pressure [bar]	Part No.
	NC/NC	2x 3/2 NC/NC, with spring return	with detent	G 1/4	G 1/4	3	10	R422102178
	NO/NO	2x 3/2 NO/NO, with spring return	with detent	G 1/4	G 1/4	3	10	R422102179
	NC/NO	2x 3/2 NC/NO, with spring return	with detent	G 1/4	G 1/4	3	10	R422102180
	NC/NC	2x 3/2 NC/NC, with spring return	with detent	G 1/4	G 1/4	-0.9	10	R422102181
	NO/NO	2x 3/2 NO/NO, with spring return	with detent	G 1/4	G 1/4	-0.9	10	R422102182
	NC/NO	2x 3/2 NC/NO, with spring return	with detent	G 1/4	G 1/4	-0.9	10	R422102183

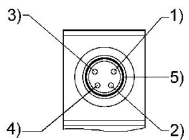
Operational voltage	Pilot	Power consumption DC [W]	Flow Qn [l/min]	Min. control pressure [bar]	Max. control pressure [bar]	Part No.
24 V DC	Internal	2.2	1100	3	10	R422102178
24 V DC	Internal	2.2	1100	3	10	R422102179
24 V DC	Internal	2.2	1100	3	10	R422102180
24 V DC	External	2.2	1100	3	10	R422102181
24 V DC	External	2.2	1100	3	10	R422102182
24 V DC	External	2.2	1100	3	10	R422102183

Dimensions



R422102178, R422102179, R422102180, R422102181, R422102182, R422102183

PIN assignment and cable colors for valve plug connectors



PIN assignment: 1) PIN not assigned 2) PIN not assigned 3) 0 V 4) 24 V 5) LED Cable colors 1) Brown 2) White 3) Blue 4) Black

2x3/2-directional valve, Series TC15, without detent

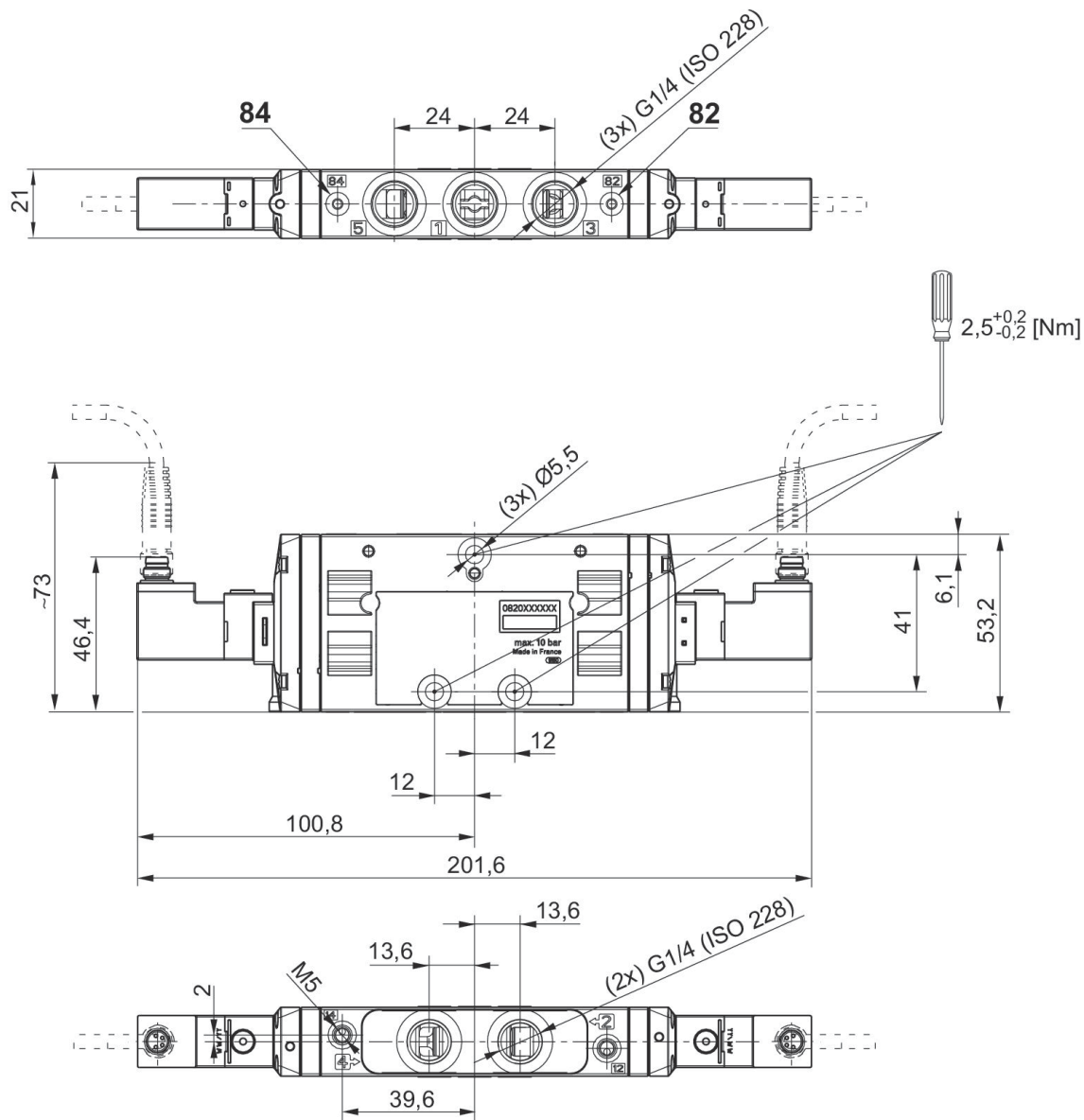
Flow: 1100 l/min
 Activation: Electrically
 Manual override: without detent
 Duty cycle: 100 %
 Type: Spool valve, positive overlapping
 Ambient temperature min./max.: -10 °C ... 50 °C
 Medium temperature min./max.: -10 °C ... 50 °C
 Control pressure min./max.: 3 bar ... 10 bar
 Working pressure min./max.: 10 bar



	Valve function	Switching principle	MO	Compressed air connection input	Compressed air connection output	Min. working pressure [bar]	Max. working pressure [bar]	Part No.
	NC/NC	2x 3/2 NC/NC, with spring return	without detent	G 1/4	G 1/4	3	10	R422102184
	NO/NO	2x 3/2 NO/NO, with spring return	without detent	G 1/4	G 1/4	3	10	R422102185
	NC/NO	2x 3/2 NC/NO, with spring return	without detent	G 1/4	G 1/4	3	10	R422102186
	NC/NC	2x 3/2 NC/NC, with spring return	without detent	G 1/4	G 1/4	-0.9	10	R422102187
	NO/NO	2x 3/2 NO/NO, with spring return	without detent	G 1/4	G 1/4	-0.9	10	R422102188
	NC/NO	2x 3/2 NC/NO, with spring return	without detent	G 1/4	G 1/4	-0.9	10	R422102189

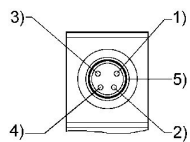
Operational voltage	Pilot	Power consumption DC [W]	Flow Qn [l/min]	Min. control pressure [bar]	Max. control pressure [bar]	Part No.
24 V DC	Internal	2.2	1100	3	10	R422102184
24 V DC	Internal	2.2	1100	3	10	R422102185
24 V DC	Internal	2.2	1100	3	10	R422102186
24 V DC	External	2.2	1100	3	10	R422102187
24 V DC	External	2.2	1100	3	10	R422102188
24 V DC	External	2.2	1100	3	10	R422102189

Dimensions



R422102184, R422102185, R422102186, R422102187, R422102188, R422102189

PIN assignment and cable colors for valve plug connectors



PIN assignment: 1) PIN not assigned 2) PIN not assigned 3) 0 V 4) 24 V 5) LED Cable colors 1) Brown 2) White 3) Blue 4) Black

5/2-directional valve, Series TC15, double,

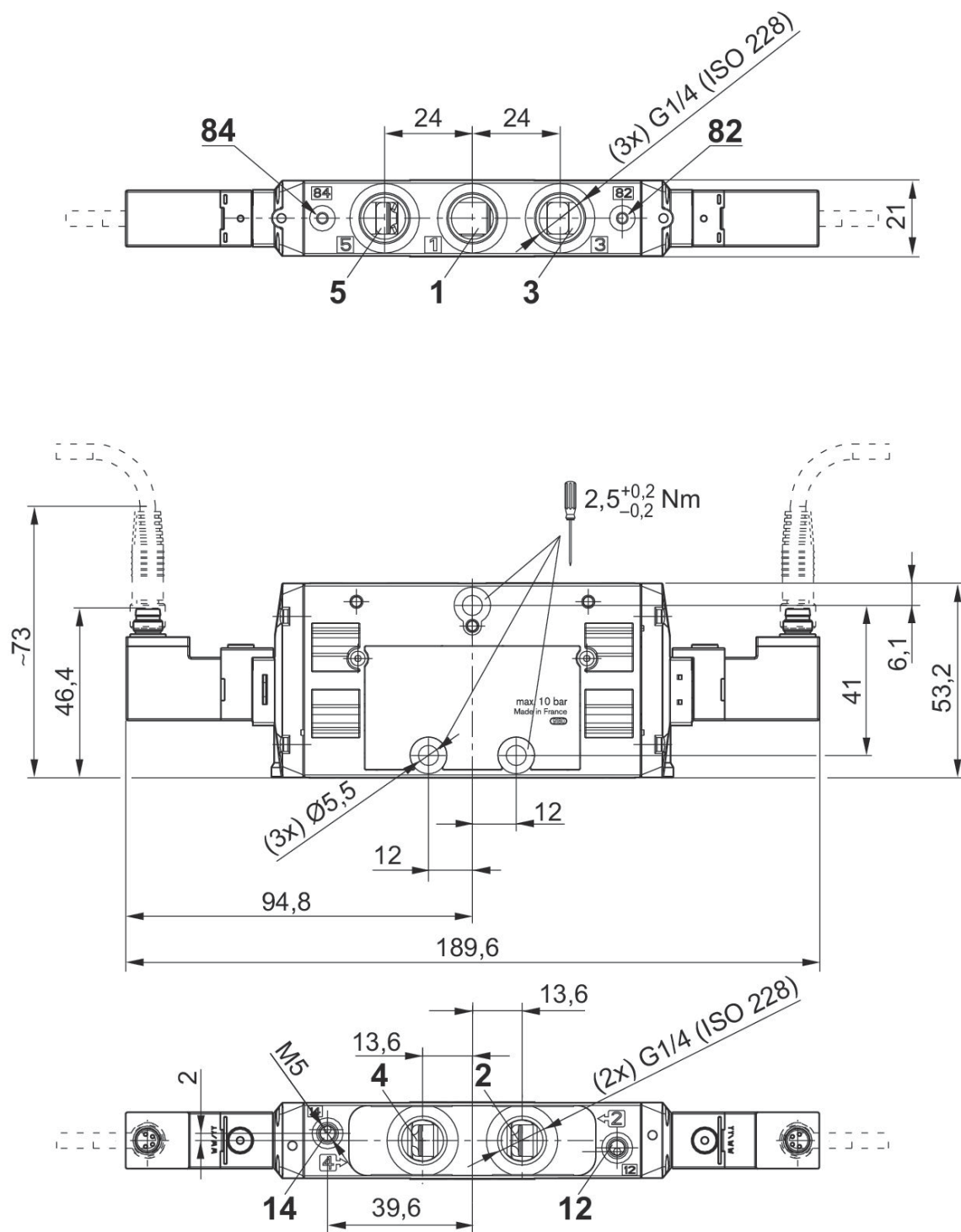
Flow: 1500 l/min
 Activation: Electrically
 Manual override: without detent
 Duty cycle: 100 %
 Type: Spool valve, positive overlapping
 Ambient temperature min./max.: -10 °C ... 50 °C
 Medium temperature min./max.: -10 °C ... 50 °C
 Control pressure min./max.: 10 bar
 Working pressure min./max.: 10 bar



	Switching principle	MO	Compressed air connection input	Compressed air connection output	Min. working pressure [bar]	Max. working pressure [bar]	Operational voltage	Part No.
	5/2, double solenoid	without detent	G 1/4	G 1/4	2	10	24 V DC	0820058321
	5/2, double solenoid	without detent	G 1/4	G 1/4	-0.9	10	24 V DC	0820058371

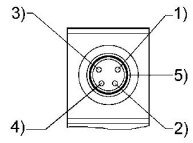
Pilot	Power consumption DC [W]	Flow Qn [l/min]	Min. control pressure [bar]	Max. control pressure [bar]	Part No.
Internal	2.2	1500	2	10	0820058321
External	2.2	1500	2	10	0820058371

Dimensions
Double Solenoid



0820058321, 0820058371

PIN assignment and cable colors for valve plug connectors



PIN assignment: 1) PIN not assigned 2) PIN not assigned 3) 0 V 4) 24 V 5) LED Cable colors 1) Brown 2) White 3) Blue 4) Black

5/2-directional valve, Series TC15, double,

Flow: 1500 l/min
 Activation: Electrically
 Manual override: with detent
 Duty cycle: 100 %
 Type: Spool valve, positive overlapping
 Ambient temperature min./max.: -10 °C ... 50 °C
 Medium temperature min./max.: -10 °C ... 50 °C
 Control pressure min./max.: 10 bar
 Working pressure min./max.: 10 bar

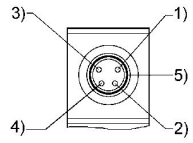


	Switching principle	MO	Compressed air connection input	Compressed air connection output	Min. working pressure [bar]	Max. working pressure [bar]	Operational voltage	Part No.
	5/2, double solenoid	with detent	G 1/4	G 1/4	2	10	24 V DC	0820058221
	5/2, double solenoid	with detent	G 1/4	G 1/4	-0.9	10	24 V DC	0820058271

Pilot	Power consumption DC [W]	Flow Qn [l/min]	Min. control pressure [bar]	Max. control pressure [bar]	Part No.
Internal	2.2	1500	2	10	0820058221
External	2.2	1500	2	10	0820058271

0820058221, 0820058271

PIN assignment and cable colors for valve plug connectors



PIN assignment: 1) PIN not assigned 2) PIN not assigned 3) 0 V 4) 24 V 5) LED Cable colors 1) Brown 2) White 3) Blue 4) Black

5/2-directional valve, Series TC15, without detent, DC

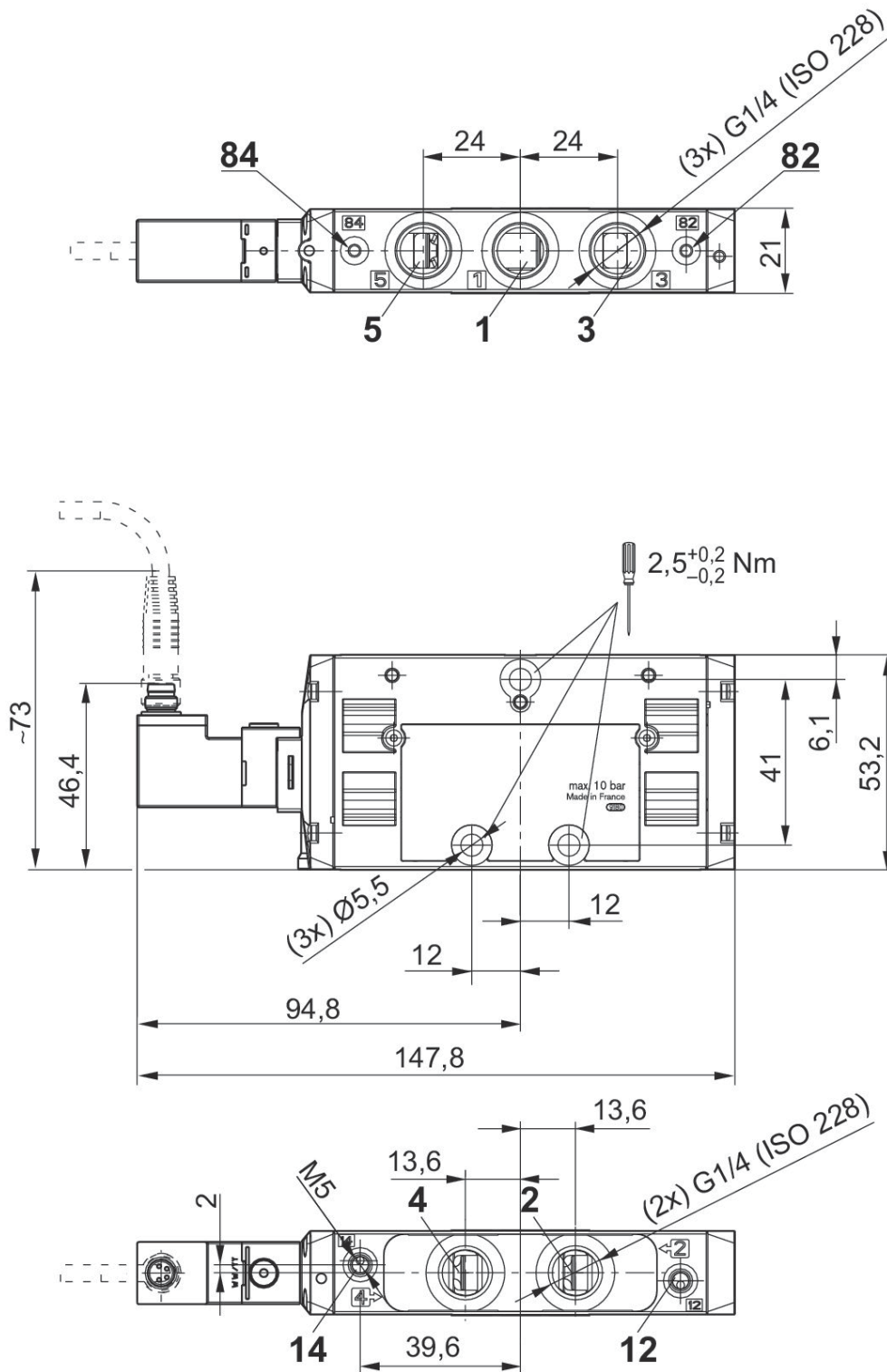
Flow: 1500 l/min
 Activation: Electrically
 Manual override: without detent
 Duty cycle: 100 %
 Type: Spool valve, positive overlapping
 Ambient temperature min./max.: -10 °C ... 50 °C
 Medium temperature min./max.: -10 °C ... 50 °C
 Control pressure min./max.: 10 bar
 Working pressure min./max.: 10 bar



	Switching principle	MO	Compressed air connection input	Compressed air connection output	Min. working pressure [bar]	Max. working pressure [bar]	Operational voltage	Part No.
	5/2, with air spring return	without detent	G 1/4	G 1/4	2.5	10	24 V DC	0820058301
	5/2, with air spring return	without detent	G 1/4	G 1/4	-0.9	10	24 V DC	0820058351
	5/2, with spring return	without detent	G 1/4	G 1/4	3	10	24 V DC	0820058311
	5/2, with spring return	without detent	G 1/4	G 1/4	-0.9	10	24 V DC	0820058361

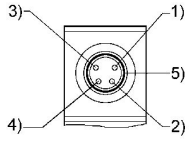
Pilot	Power consumption DC [W]	Flow Qn [l/min]	Min. control pressure [bar]	Max. control pressure [bar]	Part No.
Internal	2.2	1500	2.5	10	0820058301
External	2.2	1500	2.5	10	0820058351
Internal	2.2	1500	3	10	0820058311
External	2.2	1500	3	10	0820058361

Dimensions
Double Solenoid



0820058301, 0820058351, 0820058311, 0820058361

PIN assignment and cable colors for valve plug connectors


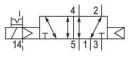
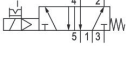
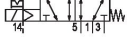


PIN assignment: 1) PIN not assigned 2) PIN not assigned 3) 0 V 4) 24 V 5) LED Cable colors 1) Brown 2) White 3) Blue 4) Black

5/2-directional valve, Series TC15, with detent, DC

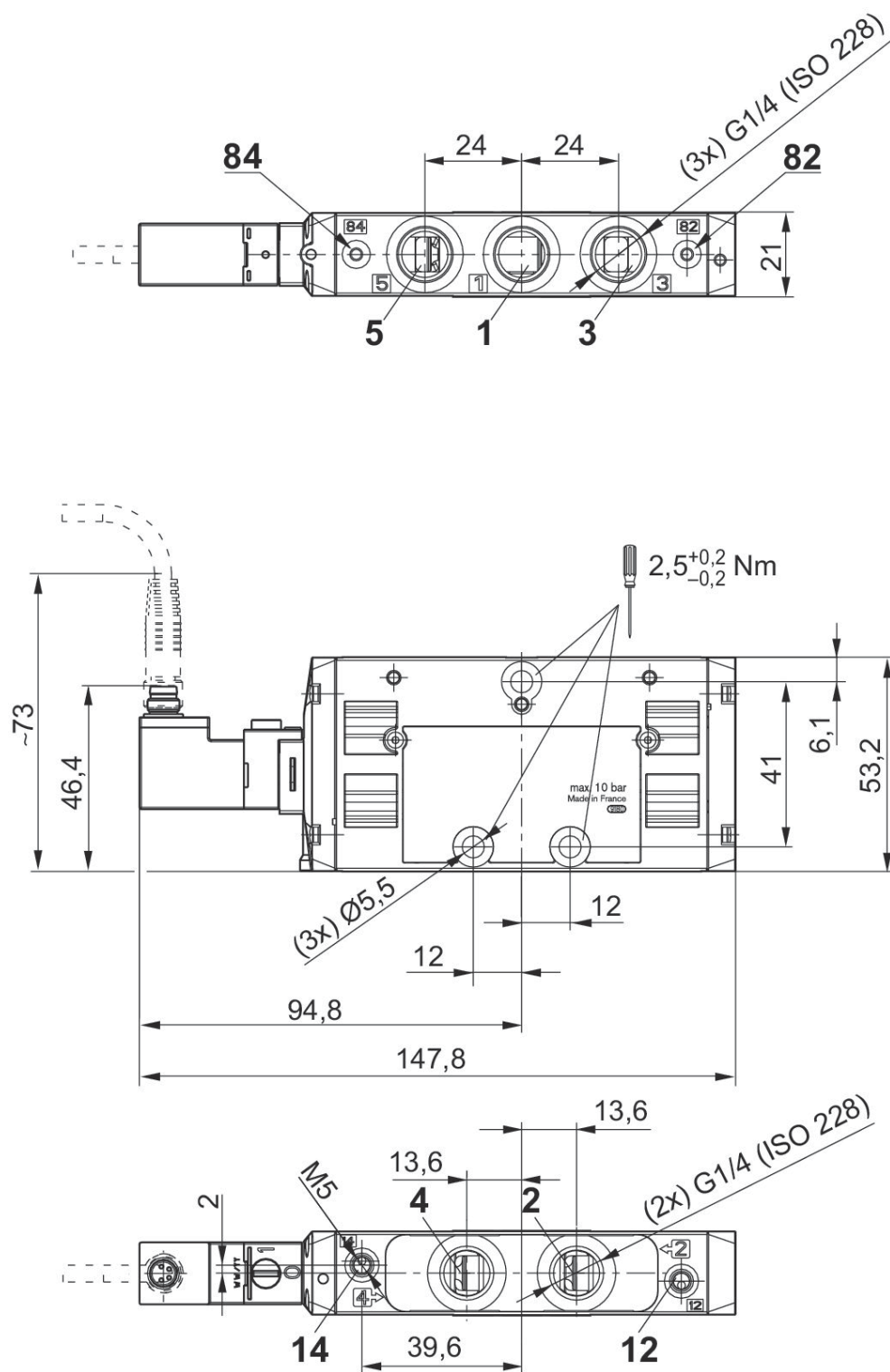
Flow: 1500 l/min
 Activation: Electrically
 Manual override: with detent
 Duty cycle: 100 %
 Type: Spool valve, positive overlapping
 Ambient temperature min./max.: -10 °C ... 50 °C
 Medium temperature min./max.: -10 °C ... 50 °C
 Control pressure min./max.: 10 bar
 Working pressure min./max.: 10 bar



	Switching principle	MO	Compressed air connection input	Compressed air connection output	Min. working pressure [bar]	Max. working pressure [bar]	Operational voltage	Part No.
	5/2, with air spring return	with detent	G 1/4	G 1/4	2.5	10	24 V DC	0820058201
	5/2, with air spring return	with detent	G 1/4	G 1/4	-0.9	10	24 V DC	0820058251
	5/2, with spring return	with detent	G 1/4	G 1/4	3	10	24 V DC	0820058211
	5/2, with spring return	with detent	G 1/4	G 1/4	-0.9	10	24 V DC	0820058261

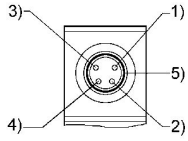
Pilot	Power consumption DC [W]	Flow Qn [l/min]	Min. control pressure [bar]	Max. control pressure [bar]	Part No.
Internal	2.2	1500	2.5	10	0820058201
External	2.2	1500	2.5	10	0820058251
Internal	2.2	1500	3	10	0820058211
External	2.2	1500	3	10	0820058261

Dimensions
Double Solenoid



0820058201, 0820058251, 0820058211, 0820058261

PIN assignment and cable colors for valve plug connectors



PIN assignment: 1) PIN not assigned 2) PIN not assigned 3) 0 V 4) 24 V 5) LED Cable colors 1) Brown 2) White 3) Blue 4) Black

5/3-directional valve, Series TC15, double, without detent, DC

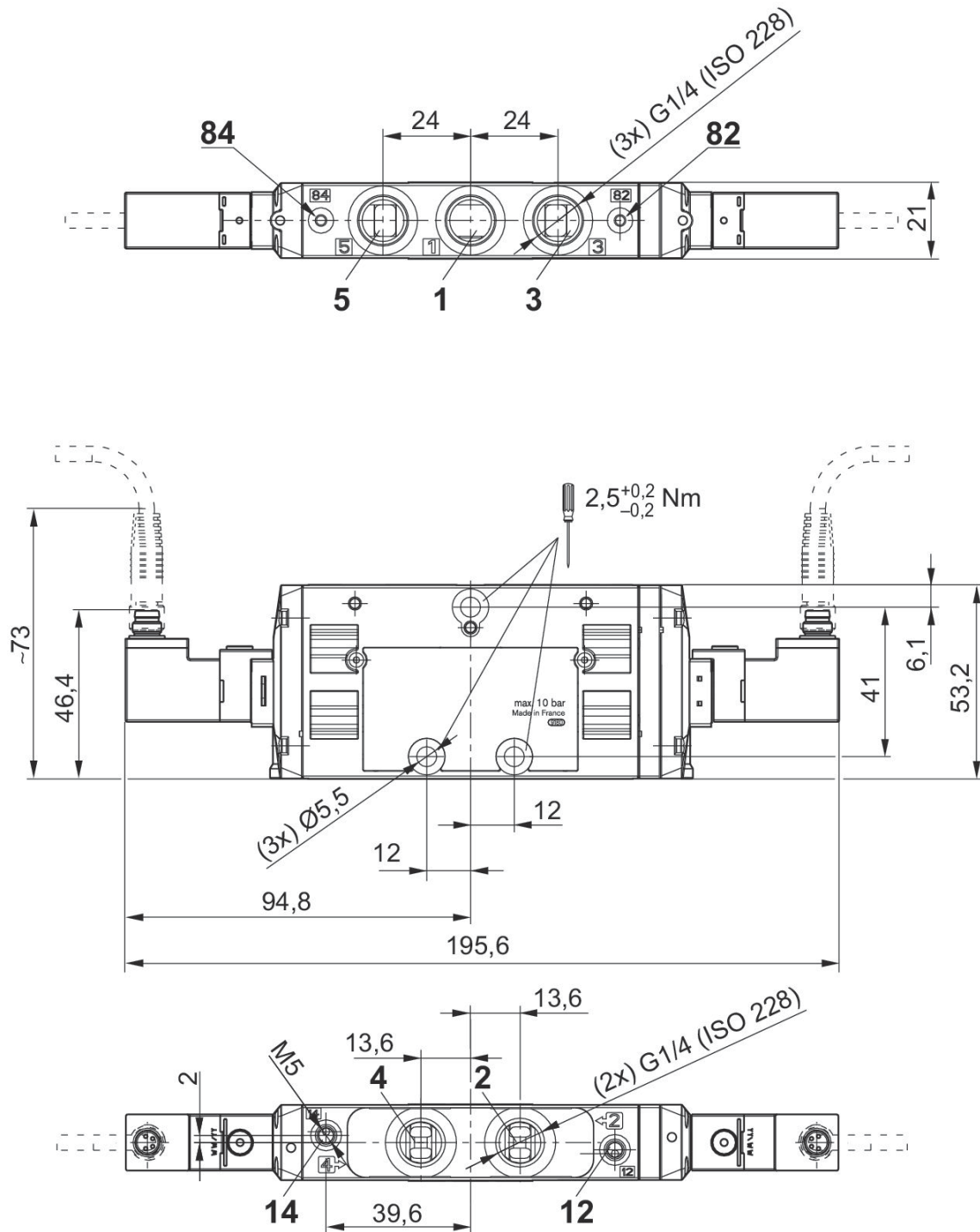
Flow: 1300 l/min
 Activation: Electrically
 Manual override: without detent
 Duty cycle: 100 %
 Type: Spool valve, positive overlapping
 Ambient temperature min./max.: -10 °C ... 50 °C
 Medium temperature min./max.: -10 °C ... 50 °C
 Control pressure min./max.: 3 bar ... 10 bar
 Working pressure min./max.: 10 bar



	Valve function	Switching principle	MO	Compressed air connection input	Compressed air connection output	Min. working pressure [bar]	Max. working pressure [bar]	Part No.
	Closed Center	5/3, closed center	without detent	G 1/4	G 1/4	3	10	0820059301
	Closed Center	5/3, closed center	without detent	G 1/4	G 1/4	-0.9	10	0820059351
	Exhausted Center	5/3, exhausted center	without detent	G 1/4	G 1/4	3	10	0820059311
	Exhausted Center	5/3, exhausted center	without detent	G 1/4	G 1/4	-0.9	10	0820059361
	Pressurized Center	5/3, pressurized center	without detent	G 1/4	G 1/4	3	10	0820059321
	Pressurized Center	5/3, pressurized center	without detent	G 1/4	G 1/4	-0.9	10	0820059371

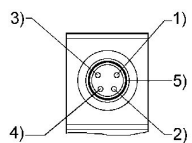
Operational voltage	Pilot	Power consumption DC [W]	Flow Qn [l/min]	Min. control pressure [bar]	Max. control pressure [bar]	Part No.
24 V DC	Internal	2.2	1300	3	10	0820059301
24 V DC	External	2.2	1300	3	10	0820059351
24 V DC	Internal	2.2	1300	3	10	0820059311
24 V DC	External	2.2	1300	3	10	0820059361
24 V DC	Internal	2.2	1300	3	10	0820059321
24 V DC	External	2.2	1300	3	10	0820059371

Dimensions



0820059301, 0820059351, 0820059311, 0820059361, 0820059321, 0820059371

PIN assignment and cable colors for valve plug connectors



PIN assignment: 1) PIN not assigned 2) PIN not assigned 3) 0 V 4) 24 V 5) LED Cable colors 1) Brown 2) White 3) Blue 4) Black

5/3-directional valve, Series TC15, double, with detend, DC

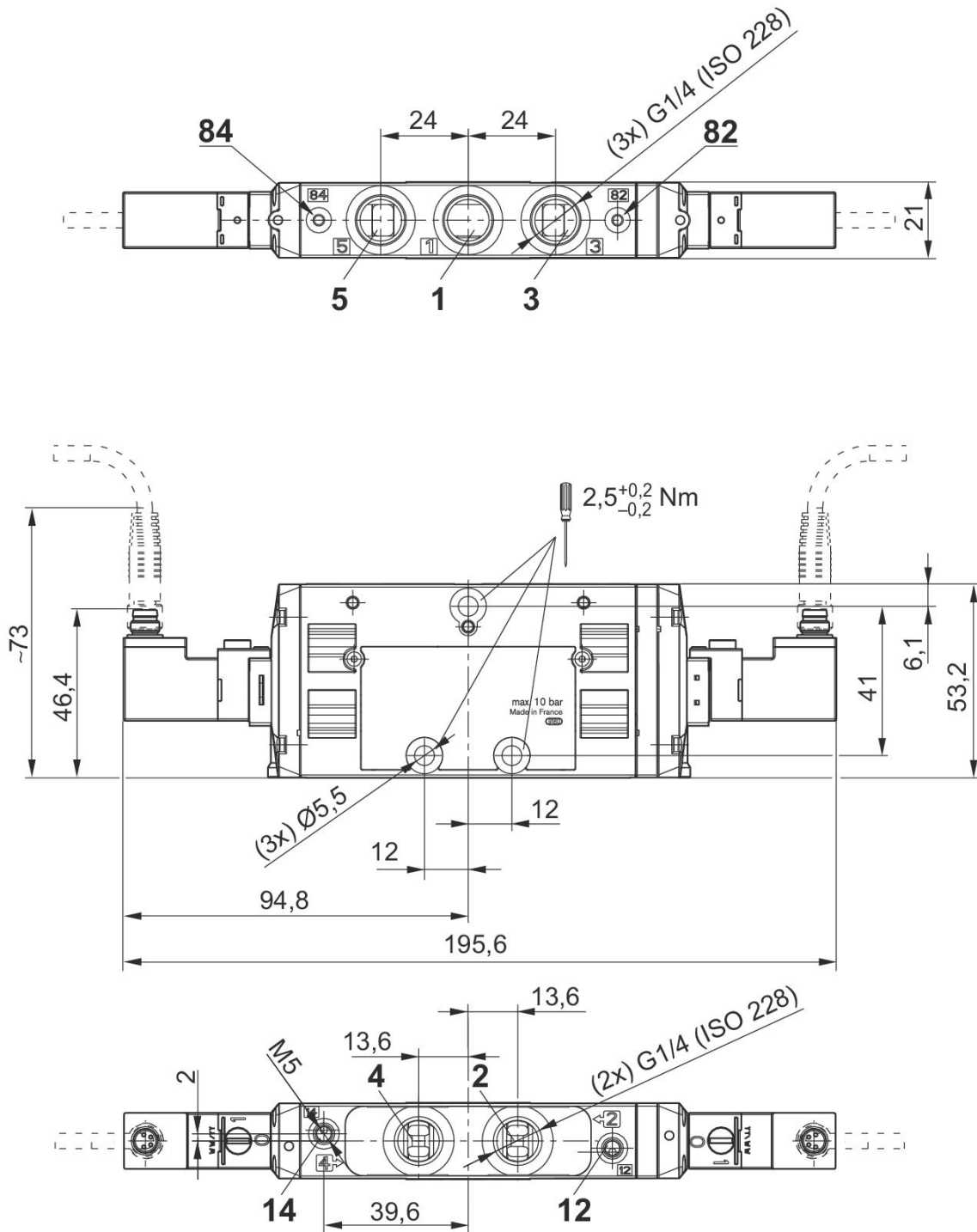
Flow: 1300 l/min
 Activation: Electrically
 Manual override: with detent
 Duty cycle: 100 %
 Type: Spool valve, positive overlapping
 Ambient temperature min./max.: -10 °C ... 50 °C
 Medium temperature min./max.: -10 °C ... 50 °C
 Control pressure min./max.: 3 bar ... 10 bar
 Working pressure min./max.: 10 bar



	Valve function	Switching principle	MO	Compressed air connection input	Compressed air connection output	Min. working pressure [bar]	Max. working pressure [bar]	Part No.
	Closed Center	5/3, closed center	with detent	G 1/4	G 1/4	3	10	0820059201
	Closed Center	5/3, closed center	with detent	G 1/4	G 1/4	-0.9	10	0820059251
	Exhausted Center	5/3, exhausted center	with detent	G 1/4	G 1/4	3	10	0820059211
	Exhausted Center	5/3, exhausted center	with detent	G 1/4	G 1/4	-0.9	10	0820059261
	Pressurized Center	5/3, pressurized center	with detent	G 1/4	G 1/4	3	10	0820059221
	Pressurized Center	5/3, pressurized center	with detent	G 1/4	G 1/4	-0.9	10	0820059271

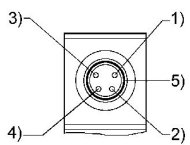
Operational voltage	Pilot	Power consumption DC [W]	Flow Qn [l/min]	Min. control pressure [bar]	Max. control pressure [bar]	Part No.
24 V DC	Internal	2.2	1300	3	10	0820059201
24 V DC	External	2.2	1300	3	10	0820059251
24 V DC	Internal	2.2	1300	3	10	0820059211
24 V DC	External	2.2	1300	3	10	0820059261
24 V DC	Internal	2.2	1300	3	10	0820059221
24 V DC	External	2.2	1300	3	10	0820059271

Dimensions



0820059201, 0820059251, 0820059211, 0820059261, 0820059221, 0820059271

PIN assignment and cable colors for valve plug connectors



PIN assignment: 1) PIN not assigned 2) PIN not assigned 3) 0 V 4) 24 V 5) LED Cable colors 1) Brown 2) White 3) Blue 4) Black

2x3/2-directional valve, Series TC15

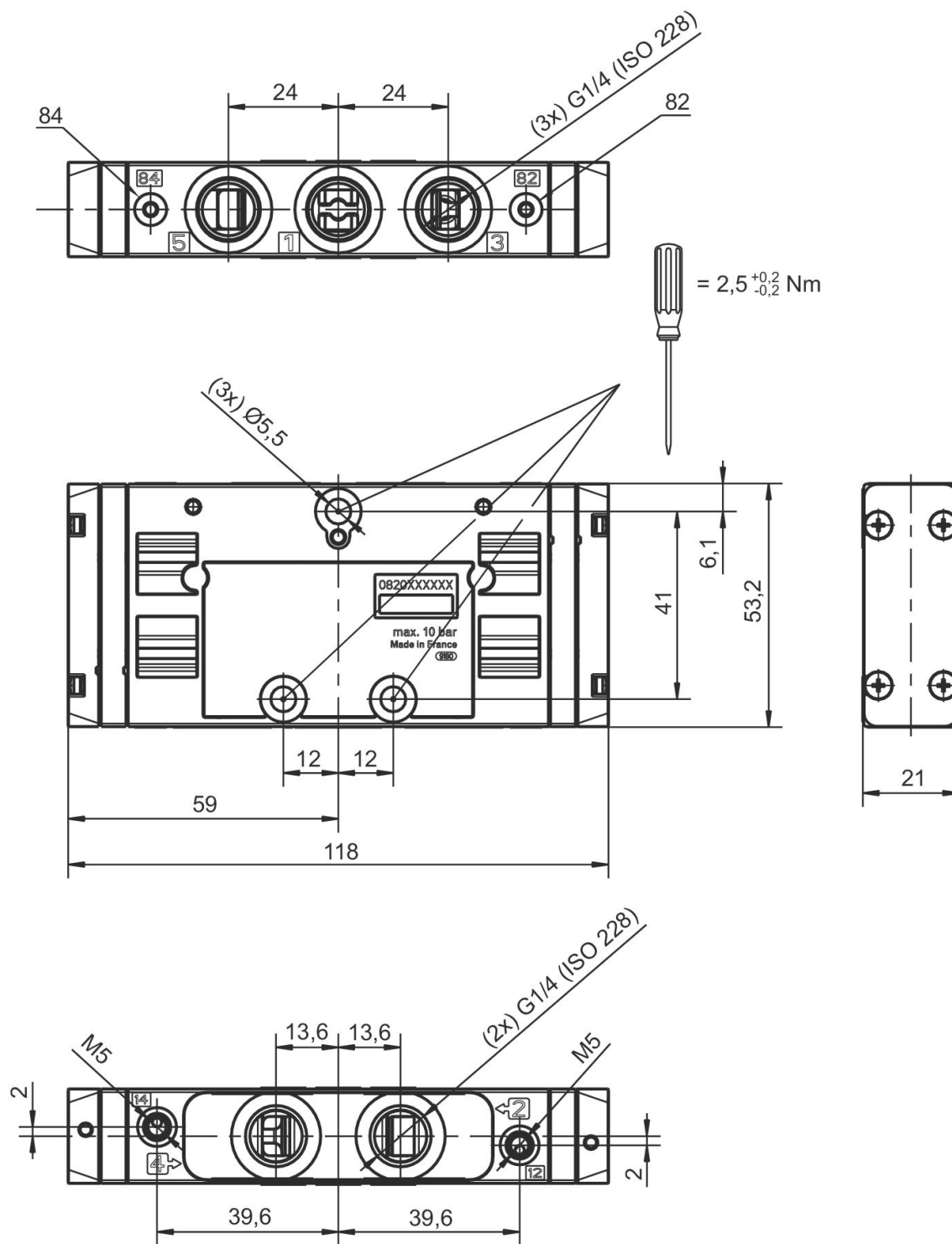
Flow: 1100 l/min
 Activation: Pneumatically
 Type: Spool valve
 Ambient temperature min./max.: -10 °C ... 50 °C
 Medium temperature min./max.: -10 °C ... 50 °C
 Control pressure min./max.: 3 bar ... 10 bar
 Working pressure min./max.: -0.9 bar ... 10 bar



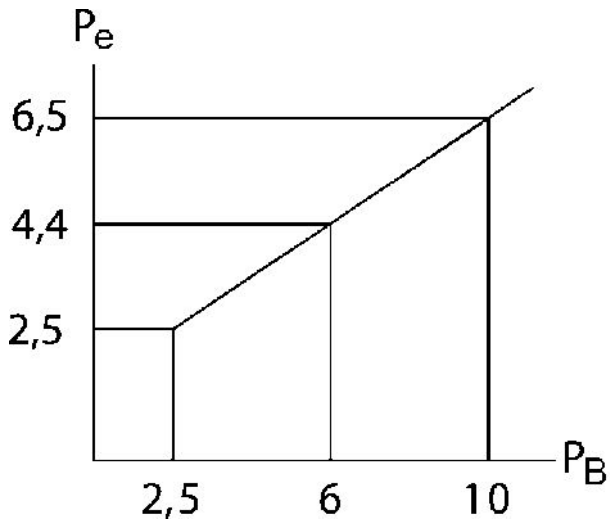
	Valve function	Switching principle	Compressed air connection input	Compressed air connection output	Min. working pressure [bar]	Max. working pressure [bar]	Flow Qn [l/min]	Part No.
	NC/NC	2x 2/2 NC/NC, with spring return	G 1/4	G 1/4	-0.9	10	1100	R422102229
	NO/NO	2x 3/2 NO/NO, with spring return	G 1/4	G 1/4	-0.9	10	1100	R422102230
	NC/NO	2x 3/2 NC/NO, with spring return	G 1/4	G 1/4	-0.9	10	1100	R422102231

Min. control pressure [bar]	Max. control pressure [bar]	Part No.
3	10	R422102229
3	10	R422102230
3	10	R422102231

Dimensions



Control pressure



P_e = external control pressure, min.
 P_B = Working pressure

5/2-directional valve, Series TC15

Flow: 1500 l/min

Activation: Pneumatically

Type: Spool valve, positive overlapping

Ambient temperature min./max.: -10 °C ... 50 °C

Medium temperature min./max.: -10 °C ... 50 °C

Control pressure min./max.: 10 bar

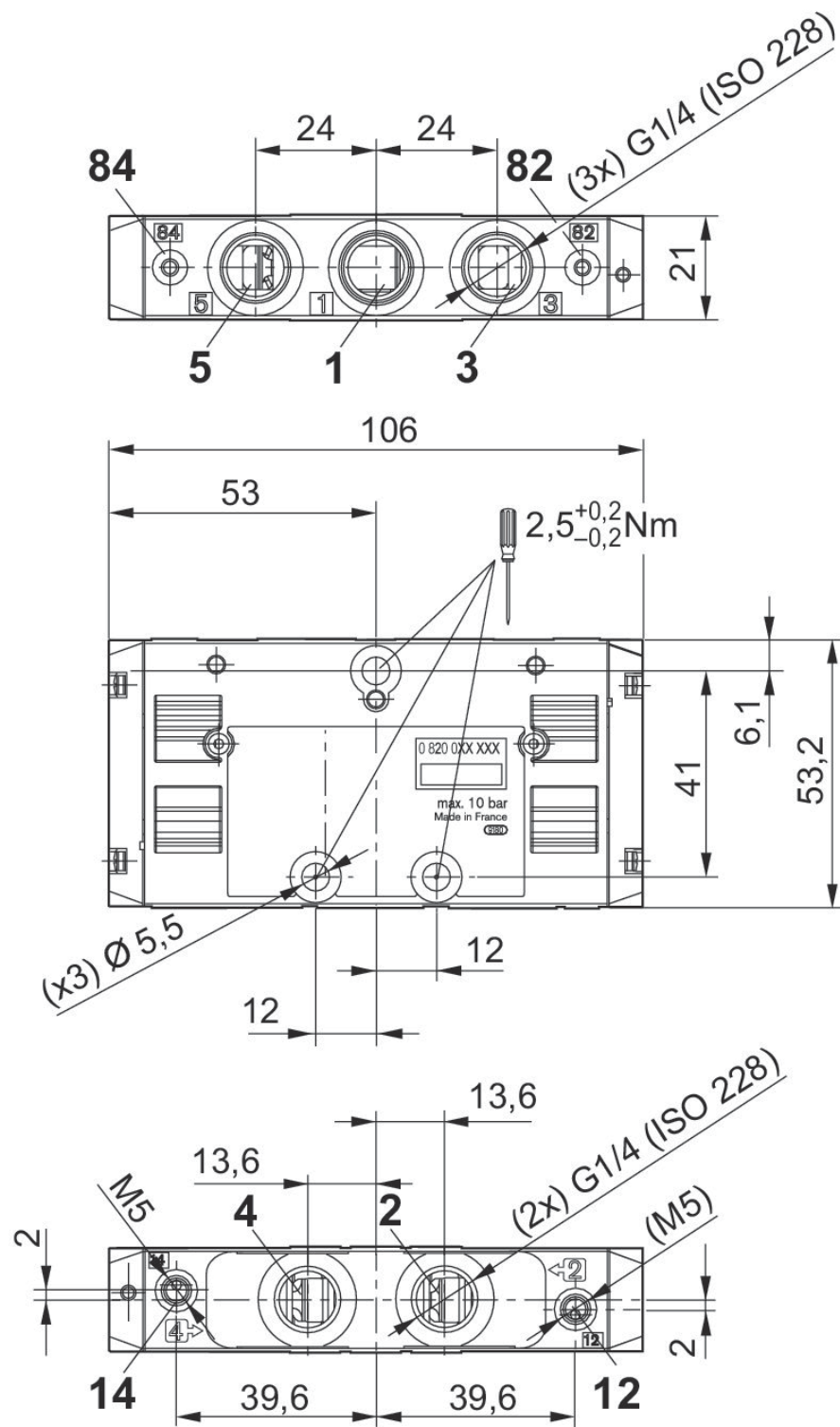
Working pressure min./max.: 10 bar



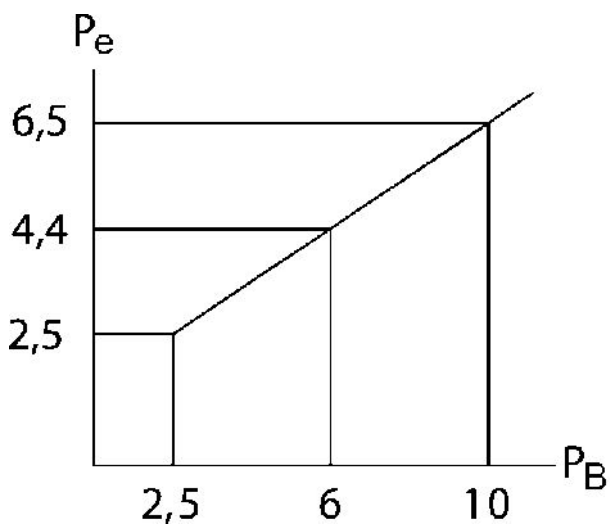
	Switching principle	Compressed air connection input	Compressed air connection output	Min. working pressure [bar]	Max. working pressure [bar]	Pilot	Flow Qn [l/min]	Part No.
	5/2, with air spring return	G 1/4	G 1/4	2.5	10	External	1500	0820258001
	5/2, with spring return	G 1/4	G 1/4	-0.9	10	External	1500	0820258002
	5/2, double air pilot	G 1/4	G 1/4	-0.9	10	External	1500	0820258003
	5/2, double air pilot	G 1/4	G 1/4	-0.9	10	External	1500	0820258004

Min. control pressure [bar]	Max. control pressure [bar]	Part No.
2.5	10	0820258001
3	10	0820258002
2	10	0820258003
2.5	10	0820258004

Dimensions



Control pressure



P_e = external control pressure, min.
 P_B = Working pressure

5/3-directional valve, Series TC15

Flow: 1300 l/min

Activation: Pneumatically

Type: Spool valve, positive overlapping

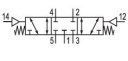
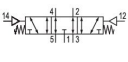
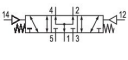
Ambient temperature min./max.: -10 °C ... 50 °C

Medium temperature min./max.: -10 °C ... 50 °C

Control pressure min./max.: 3 bar ... 10 bar

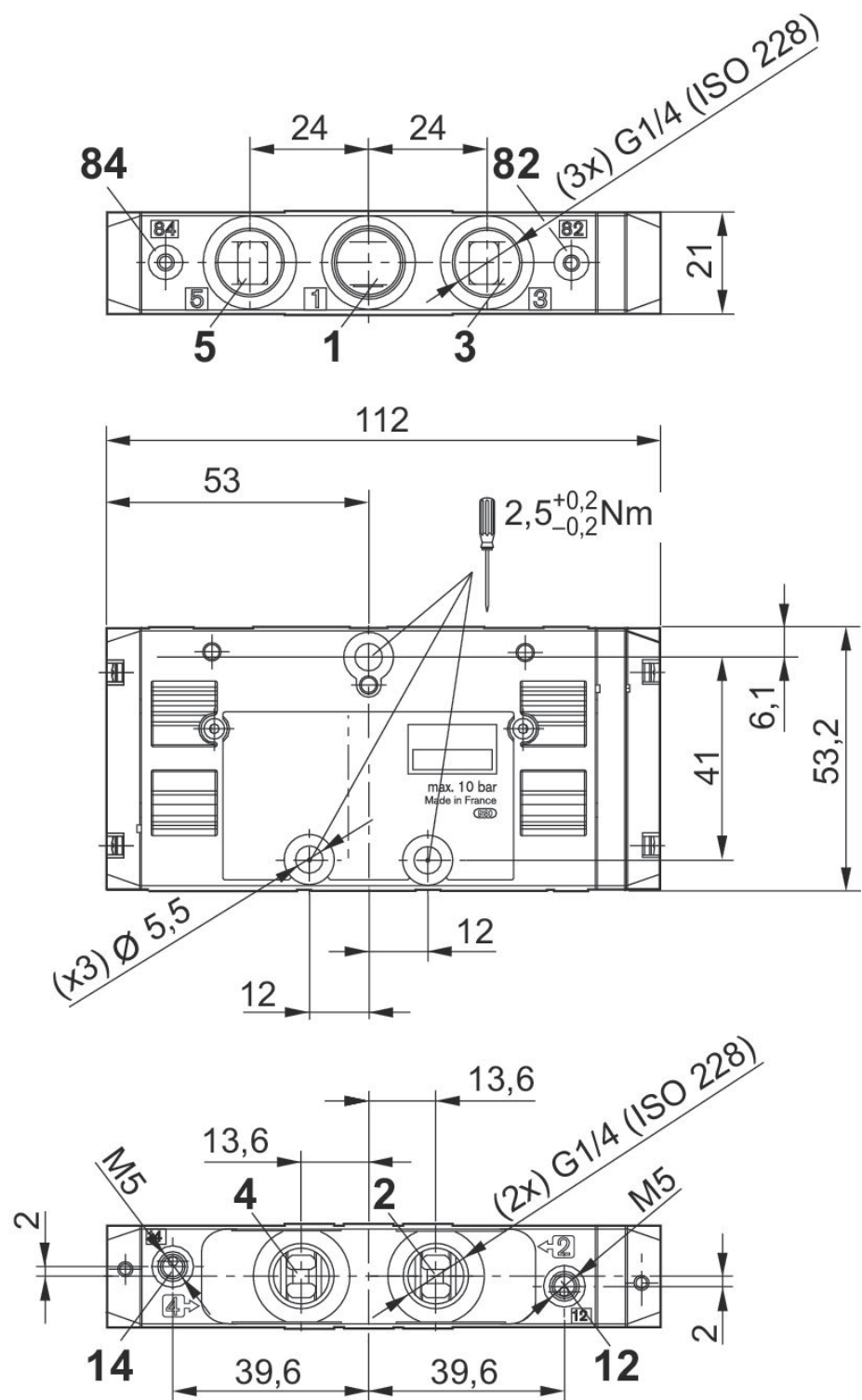
Working pressure min./max.: -0.9 bar ... 10 bar

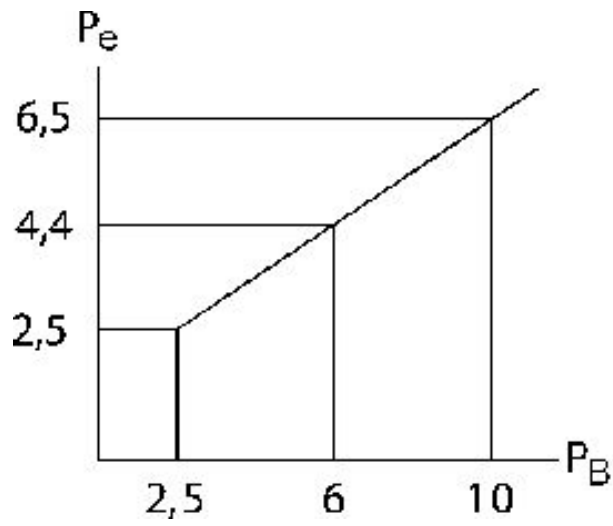


	Valve function	Switching principle	Compressed air connection input	Compressed air connection output	Min. working pressure [bar]	Max. working pressure [bar]	Pilot	Part No.
	Closed Center	5/3, closed center	G 1/4	G 1/4	-0.9	10	External	0820259001
	Exhausted Center	5/3, exhausted center	G 1/4	G 1/4	-0.9	10	External	0820259002
	Pressurized Center	5/3, pressurized center	G 1/4	G 1/4	-0.9	10	External	0820259003

Flow Qn [l/min]	Min. control pressure [bar]	Max. control pressure [bar]	Part No.
1300	3	10	0820259001
1300	3	10	0820259002
1300	3	10	0820259003

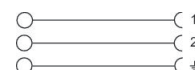
Dimensions





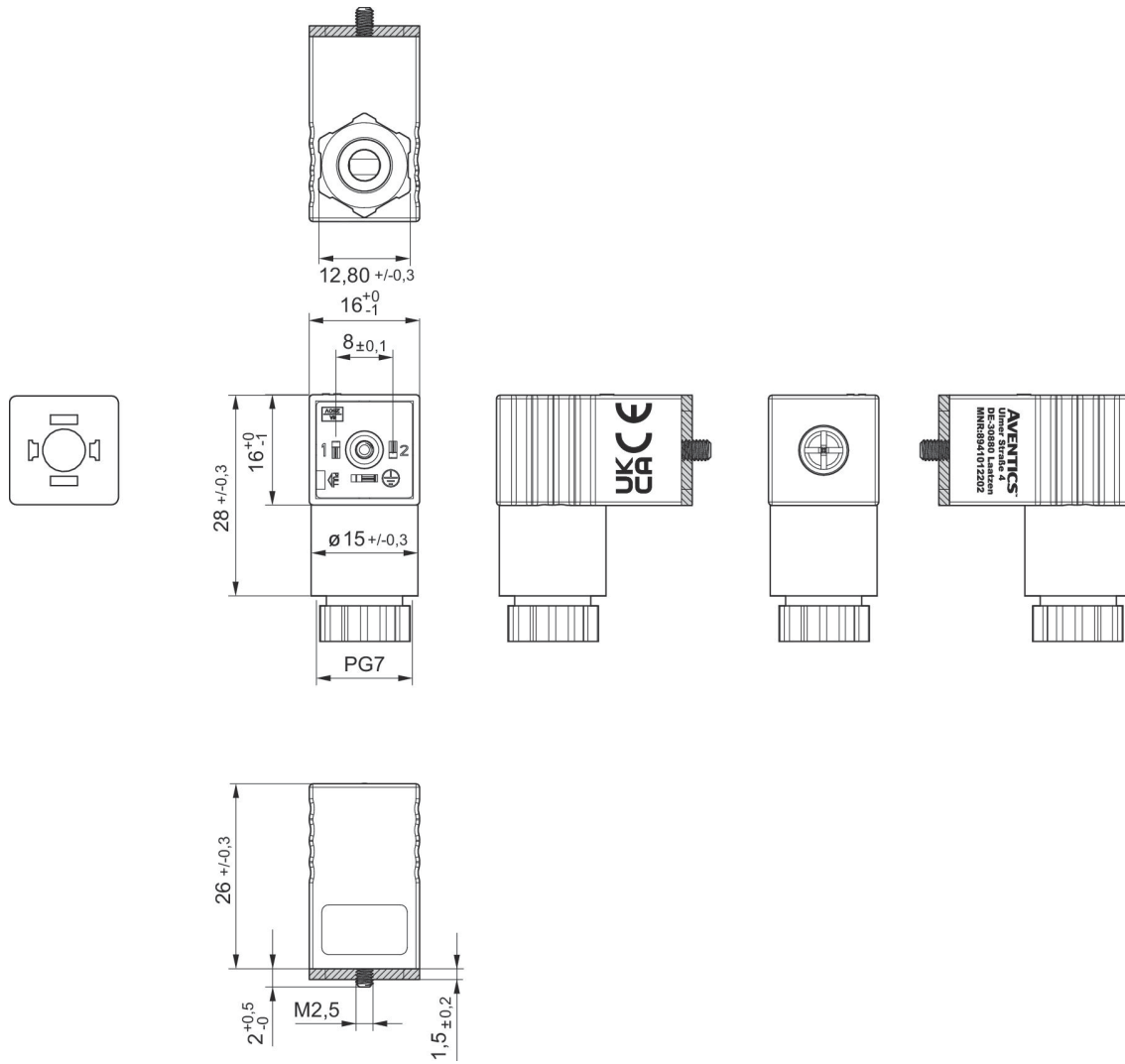
Valve plug connector, series CON-VP, form C, 300 V DC / 250 V AC

Electrical connection 1: EN 175301-803, form C
Ambient temperature min./max.: -40 °C ... 90 °C



Operational voltage	Max. current [A]	Contact assignment	min. suitable cable Ø [mm]	max. suitable cable Ø [mm]	Part No.
300 V DC / 250 V AC	6	2+E	4	6	8941012202

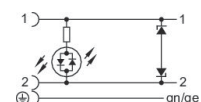
Dimensions



Profile seal

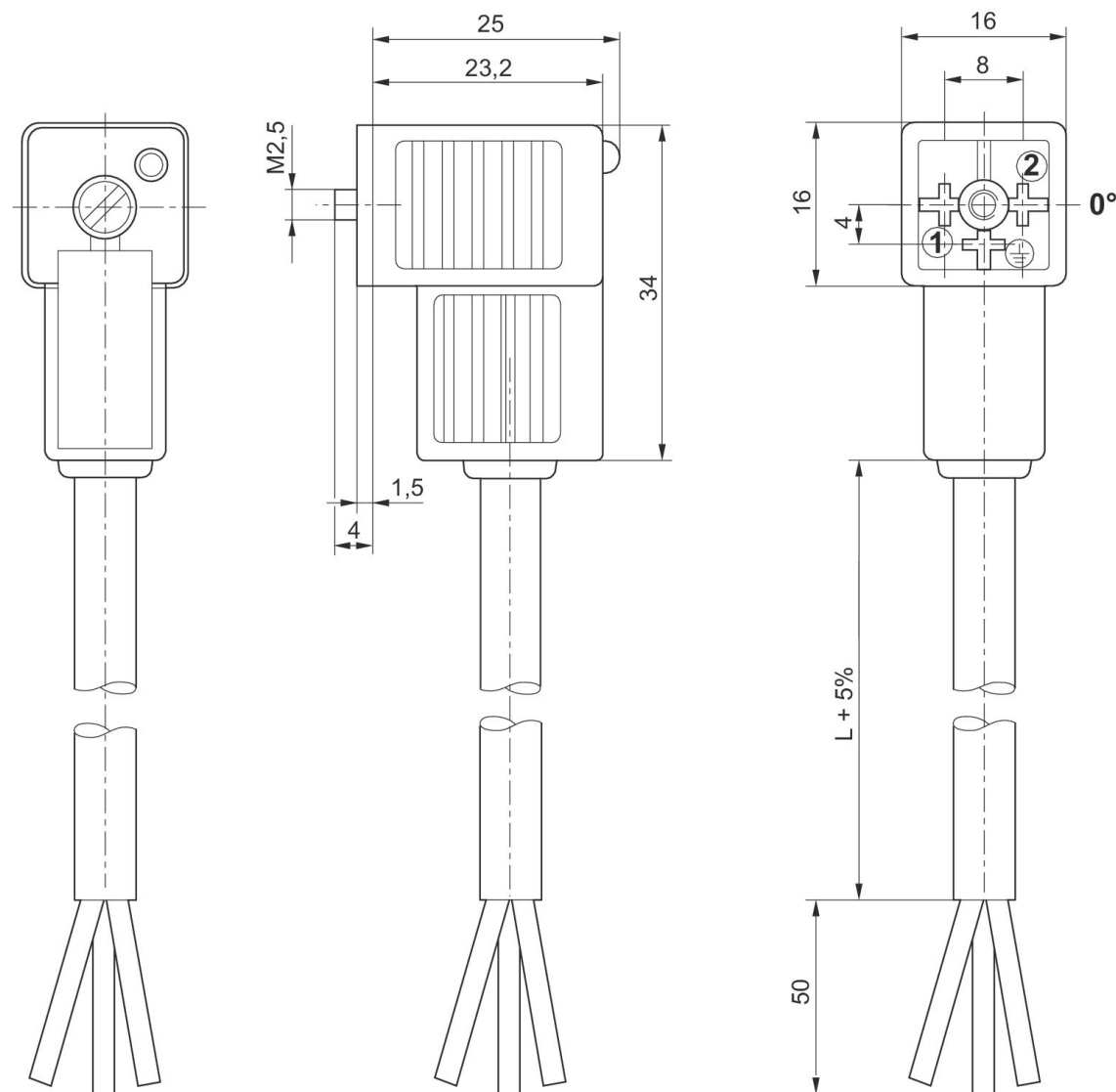
Valve plug connector, series CON-VP, 0° female insert

Electrical connection 1: Socket ... form C ... 2+E
 Electrical connection 2: open cable ends ... 3-pin
 Protective circuit: Z-diode
 Ambient temperature min./max.: -20 °C ... 80 °C



	Operational voltage	Protective circuit	Max. current [A]	Contact assignment	LED status display	Cable-Ø [mm]	Cable length [m]	Part No.
	230 V AC/DC		6	2+E		5.9	3	1834484212
	230 V AC/DC		6	2+E		5.9	3	1834484213
	230 V AC/DC		6	2+E		5.9	5	1834484214
	230 V AC/DC		6	2+E		5.9	5	1834484215
	24 V AC/DC	Z-diode	6	2+E	Yellow	5.9	3	1834484204
	24 V AC/DC	Z-diode	6	2+E	Yellow	5.9	3	1834484205
	24 V AC/DC	Z-diode	6	2+E	Yellow	5.9	5	1834484206
	24 V AC/DC	Z-diode	6	2+E	Yellow	5.9	5	1834484207
	230 V AC/DC	Varistor	6	2+E	Yellow	5.9	3	1834484208
	230 V AC/DC	Varistor	6	2+E	Yellow	5.9	3	1834484209
	230 V AC/DC	Varistor	6	2+E	Yellow	5.9	5	1834484210
	230 V AC/DC	Varistor	6	2+E	Yellow	5.9	5	1834484211
	24 V AC/DC	Z-diode	6	2+E	Yellow	5.9	10	1834484236

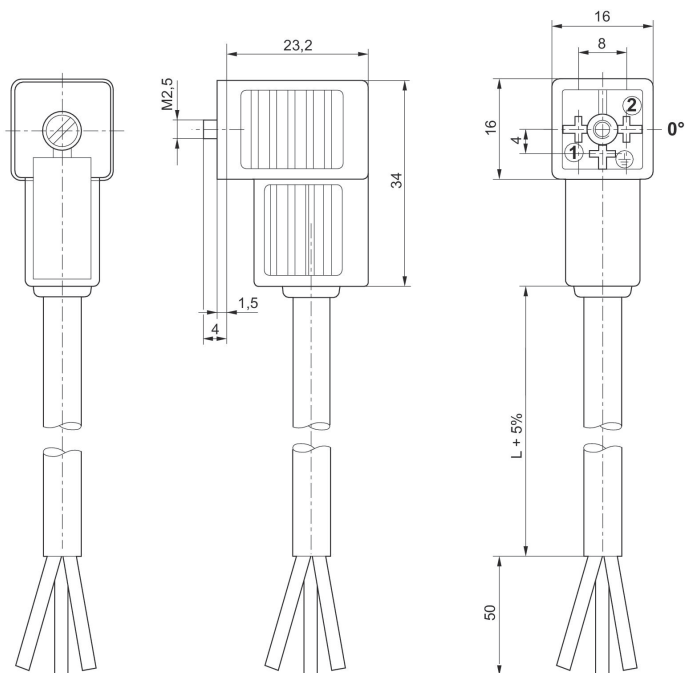
Dimensions



0° female insert

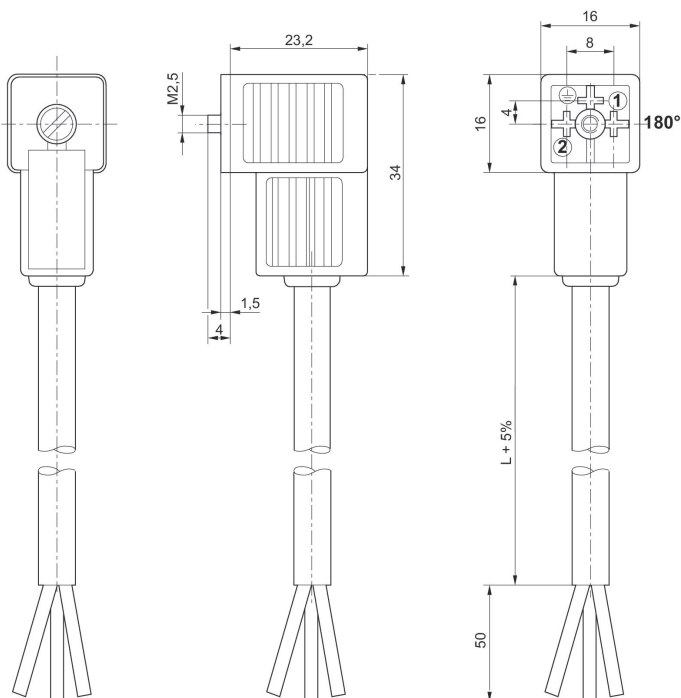
1834484212, 1834484214

Dimensions



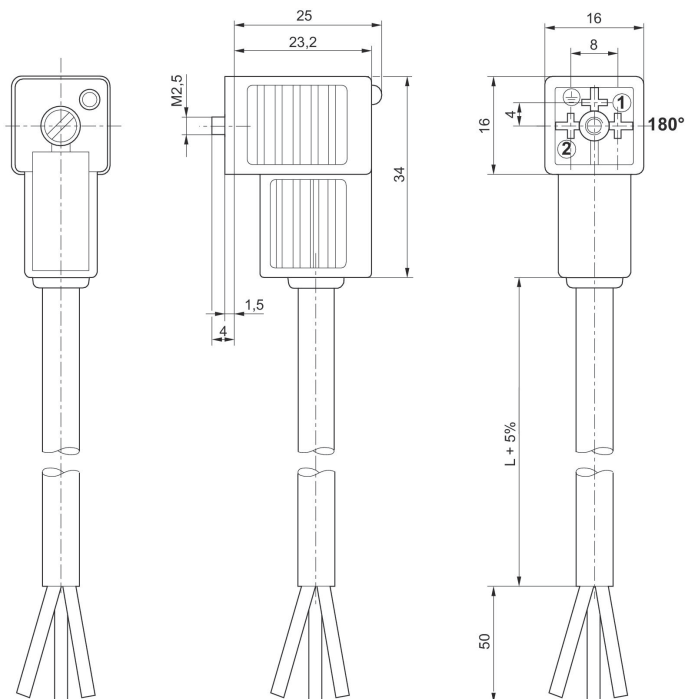
1834484213, 1834484215

Dimensions



**1834484205, 1834484207, 1834484209,
1834484211, 1834484236**

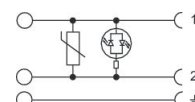
Dimensions



180° female insert

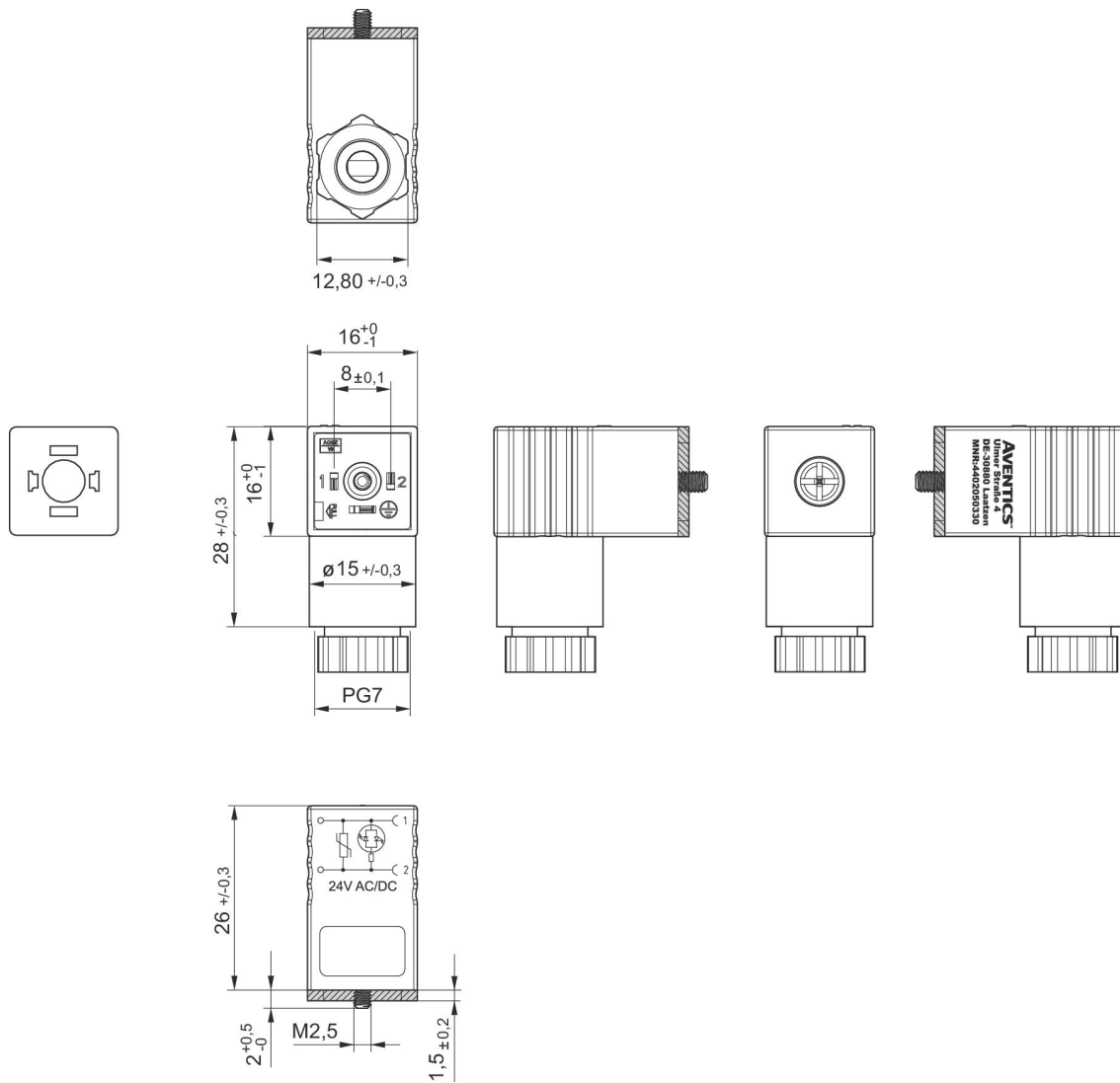
Valve plug connector, series CON-VP, form C, 24 V AC/DC

Electrical connection 1: EN 175301-803, form C
Ambient temperature min./max.: -40 °C ... 90 °C



Operational voltage	Protective circuit	Max. current [A]	Contact assignment	LED status display	min. suitable cable Ø [mm]	max. suitable cable Ø [mm]	Part No.
24 V AC/DC	Varistor	1.5	2+E	Green	4	6	4402050330

Dimensions



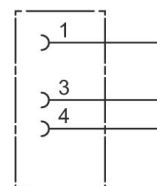
Profile seal

Round plug connector, Series CON-RD

Electrical connection 1: Socket ... M8x1 ... 3-pin ... straight

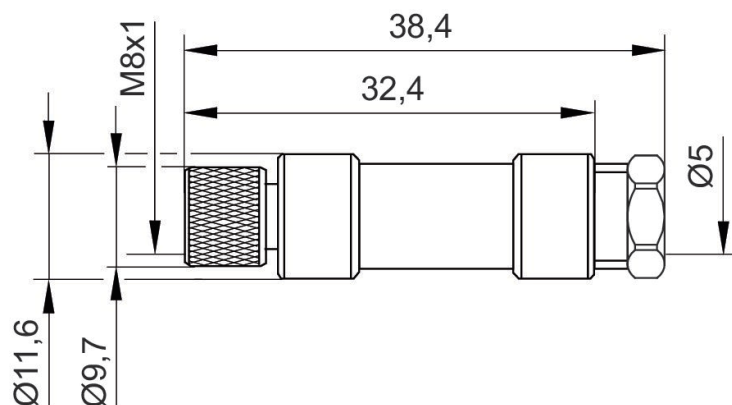
Connection type: Soldering

Ambient temperature min./max.: -25 °C ... 80 °C



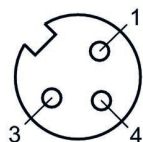
Operational voltage	Coding	Shielding	Connection type	Max. current [A]	min. suitable cable Ø [mm]	max. suitable cable Ø [mm]	Part No.
48 V AC/DC	A-coded	unshielded	Soldering	4	3.5	5	1834484173

Dimensions



1834484173

Pin assignment, socket

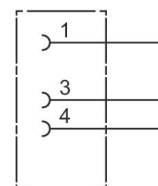


Round plug connector, Series CON-RD

Electrical connection 1: Socket ... M8x1 ... 3-pin ... angled

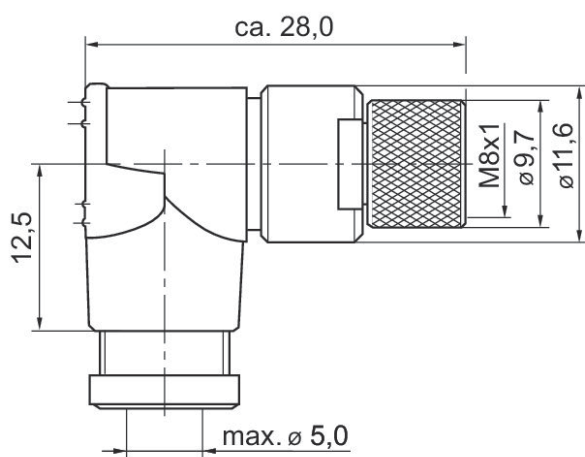
Connection type: Soldering

Ambient temperature min./max.: -25 °C ... 80 °C



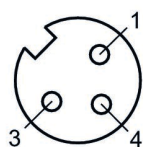
Operational voltage	Coding	Shielding	Connection type	Max. current [A]	min. suitable cable Ø [mm]	max. suitable cable Ø [mm]	Part No.
48 V AC/DC	A-coded	unshielded	Soldering	4	3.5	5	1834484174

Dimensions in mm



1834484174

Pin assignment, socket



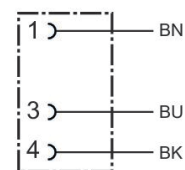
Round plug connector, Series CON-RD

Electrical connection 1: Socket ... M8x1 ... 3-pin ... straight

Electrical connection 2: open cable ends ... 3-pin

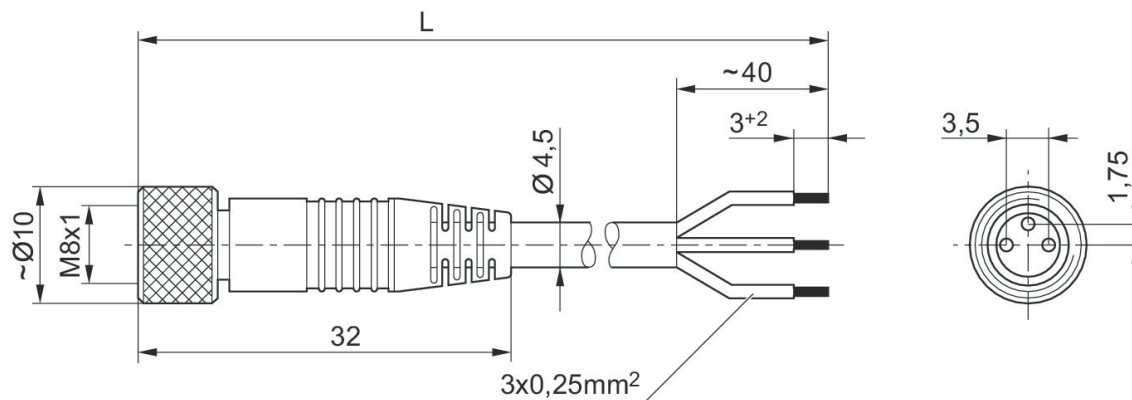
Certification: UL (Underwriters Laboratories)

Ambient temperature min./max.: -25 °C ... 85 °C



Operational voltage	Electrical connection 1, type	Electrical connection 1, thread size	Electrical connection 1, number of poles	Electrical connection 1, coding	Electrical connection 2, type	Electrical connection 2, number of poles	Cable length [m]	Part No.
48 V AC/DC	Socket	M8x1	3-pin	A-coded	open cable ends	3-pin	3	1834484166
48 V AC/DC	Socket	M8x1	3-pin	A-coded	open cable ends	3-pin	5	1834484168
48 V AC/DC	Socket	M8x1	3-pin	A-coded	open cable ends	3-pin	10	1834484247

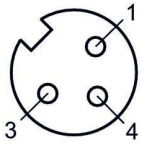
Dimensions



L = length

1834484166, 1834484168, 1834484247

Pin assignment, socket



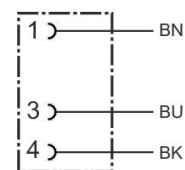
(1) BN=brown (3) BU=blue (4) BK=black

Round plug connector, Series CON-RD

Electrical connection 1: Socket ... M8x1 ... 3-pin ... angled

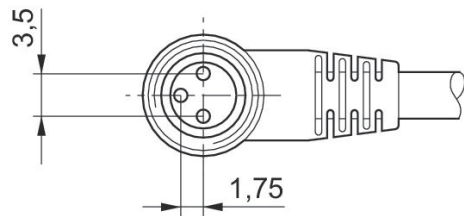
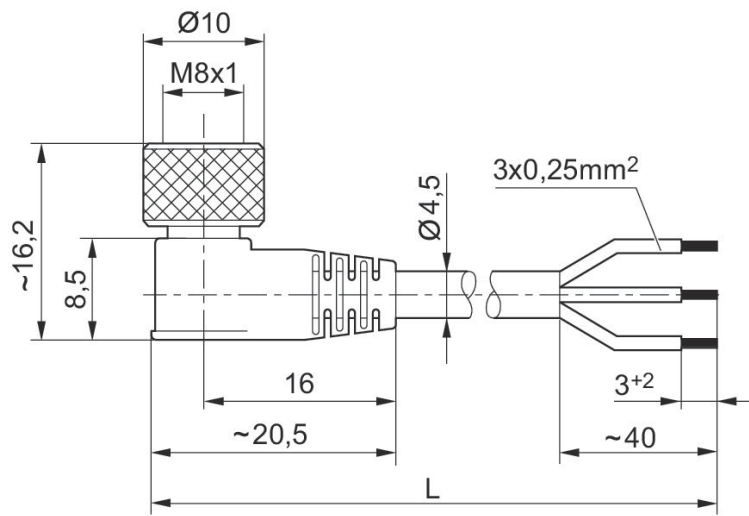
Electrical connection 2: open cable ends ... 3-pin

Ambient temperature min./max.: -40 °C ... 85 °C



Operational voltage	Electrical connection 1, type	Electrical connection 1, thread size	Electrical connection 1, number of poles	Electrical connection 1, coding	Electrical connection 2, type	Electrical connection 2, number of poles	Cable length [m]	Part No.
48 V AC/DC	Socket	M8x1	3-pin	A-coded	open cable ends	3-pin	3	1834484167
48 V AC/DC	Socket	M8x1	3-pin	A-coded	open cable ends	3-pin	5	1834484169
48 V AC/DC	Socket	M8x1	3-pin	A-coded	open cable ends	3-pin	10	1834484248

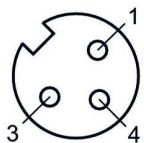
Dimensions



L = length

1834484167, 1834484169, 1834484248

Pin assignment, socket



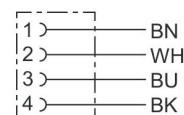
(1) BN=brown (3) BU=blue (4) BK=black

Round plug connector, Series CON-RD, open cable ends, straight, 4-pin

Electrical connection 1: Socket ... M8x1 ... 4-pin ... straight

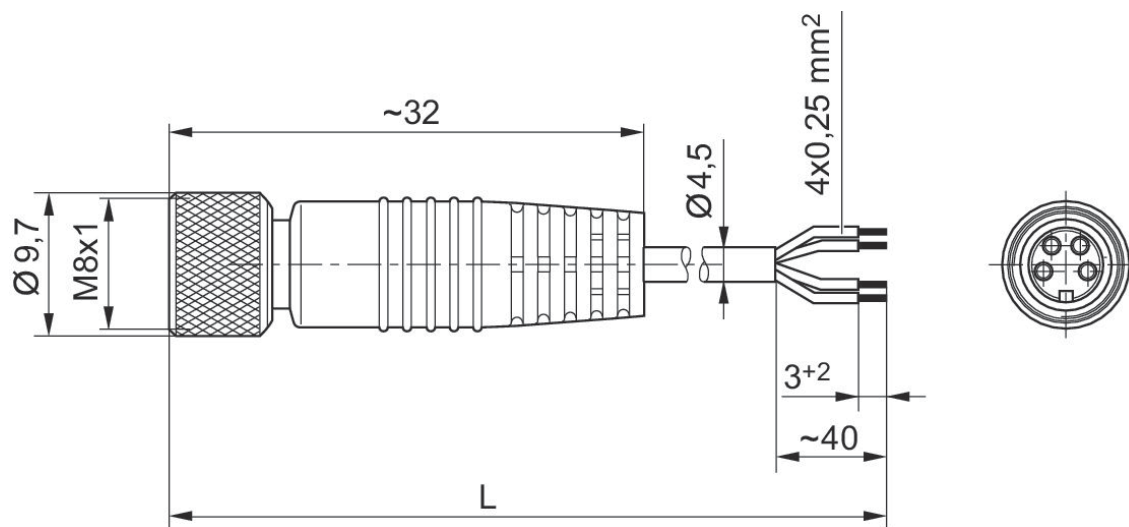
Electrical connection 2: open cable ends ... 4-pin

Ambient temperature min./max.: -40 °C ... 85 °C



Operational voltage	Electrical connection 1, type	Electrical connection 1, thread size	Electrical connection 1, number of poles	Electrical connection 1, coding	Electrical connection 2, type	Electrical connection 2, number of poles	Cable length [m]	Part No.
48 V AC/DC	Socket	M8x1	4-pin	A-coded	open cable ends	4-pin	3	1834484144
48 V AC/DC	Socket	M8x1	4-pin	A-coded	open cable ends	4-pin	5	1834484146

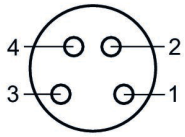
Dimensions



L = length

1834484144, 1834484146

Pin assignment, socket



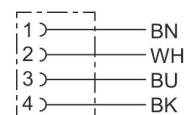
(1) BN=brown (2) WH=white (3) BU=blue (4) BK=black

Round plug connector, Series CON-RD, Plug M8x1, 4-pin

Electrical connection 1: Socket ... M8x1 ... 4-pin ... angled

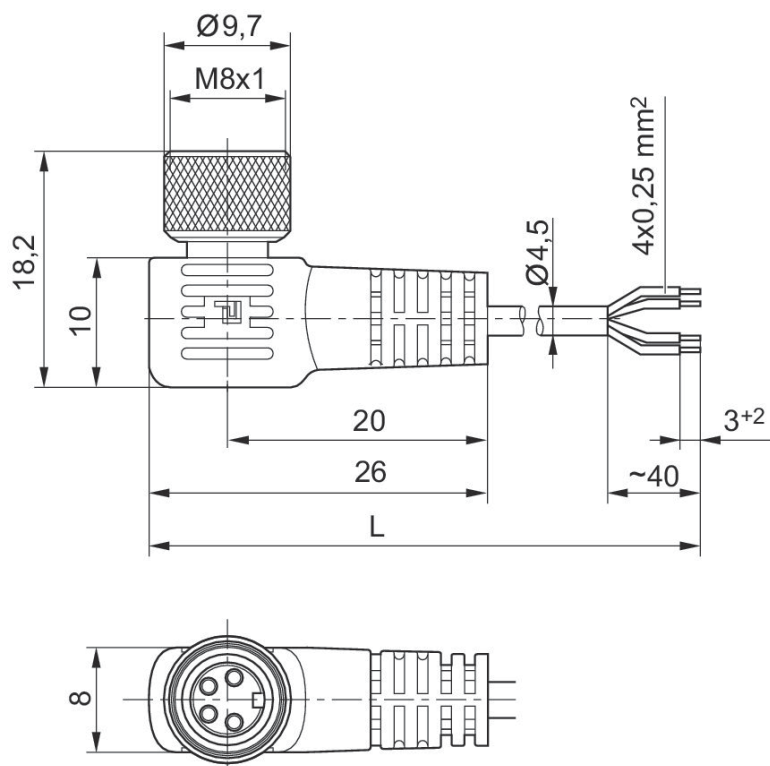
Electrical connection 2: open cable ends ... 4-pin

Ambient temperature min./max.: -40 °C ... 85 °C



Operational voltage	Electrical connection 1, type	Electrical connection 1, thread size	Electrical connection 1, number of poles	Electrical connection 1, coding	Electrical connection 2, type	Electrical connection 2, number of poles	Cable length [m]	Part No.
48 V AC/DC	Socket	M8x1	4-pin	A-coded	open cable ends	4-pin	3	1834484145
48 V AC/DC	Socket	M8x1	4-pin	A-coded	open cable ends	4-pin	5	1834484147

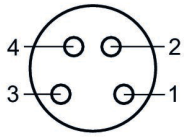
Dimensions in mm



L = length

1834484145, 1834484147

Pin assignment, socket



(1) BN=brown (2) WH=white (3) BU=blue (4) BK=black

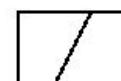
Coil, Series CO1

Coil width: 15 mm

Electrical connection 2, number of poles: 3-pin

Duty cycle: 100 %

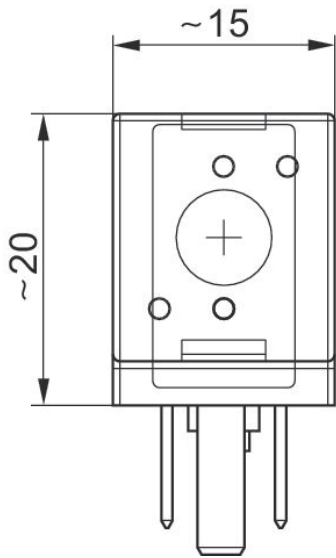
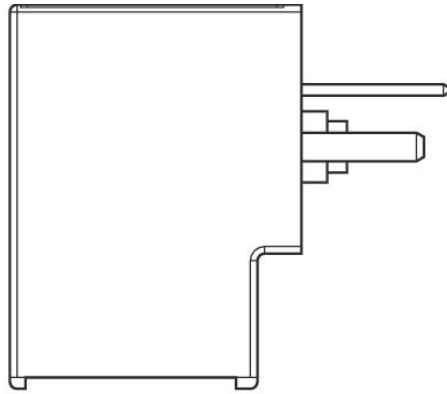
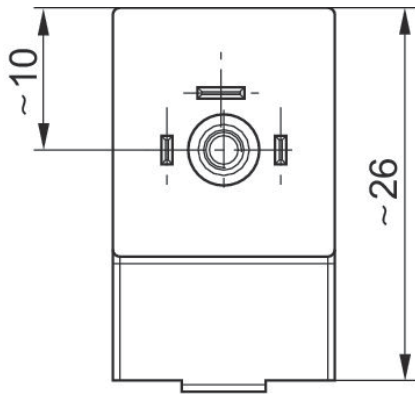
Ambient temperature min./max.: -10 °C ... 50 °C



Operational voltage DC	Number of poles	Operational voltage AC at 50 Hz	Operational voltage AC at 60 Hz	Voltage tolerance DC	Voltage tolerance AC 50 Hz	Voltage tolerance AC 60 Hz	Power consumption DC [W]	Part No.
	3-pin	110 V	110 V		-10 % / +10 %	-10 % / +10 %		R422101598
	3-pin	230 V	230 V		-10 % / +10 %	-10 % / +10 %		R422101599
24 V	3-pin			-10 % / +10 %			2	R422101600
	3-pin	24 V	24 V		-10 % / +10 %	-10 % / +10 %		R422101601
12 V	3-pin			-10 % / +10 %			2	R422101602

Holding power AC 50 Hz [VA]	Switch-on power AC 50 Hz [VA]	Part No.
1.6	2.2	R422101598
1.6	2.2	R422101599
		R422101600
1.6	2.2	R422101601
		R422101602

Dimensions



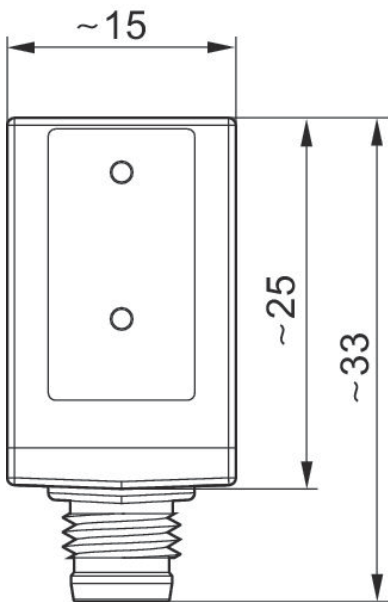
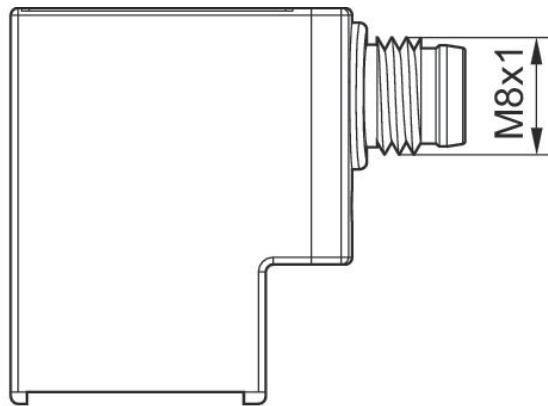
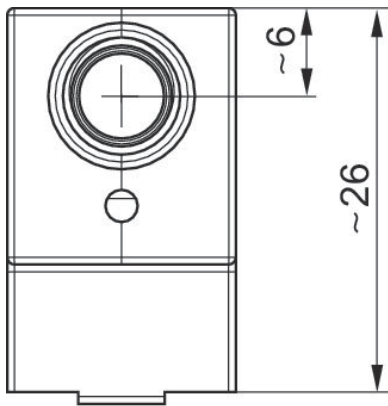
Coil, Series CO1

Coil width: 15 mm
 Electrical connection 2, thread size: M8x1
 Duty cycle: 100 %
 Ambient temperature min./max.: -10 °C ... 50 °C



Operational voltage DC	Number of poles	Voltage tolerance DC	Power consumption DC [W]	Part No.
24 V	4-pin	-10 % / +10 %	2.2	R422101603
24 V	3-pin	-10 % / +10 %	2.2	R422101604

Dimensions

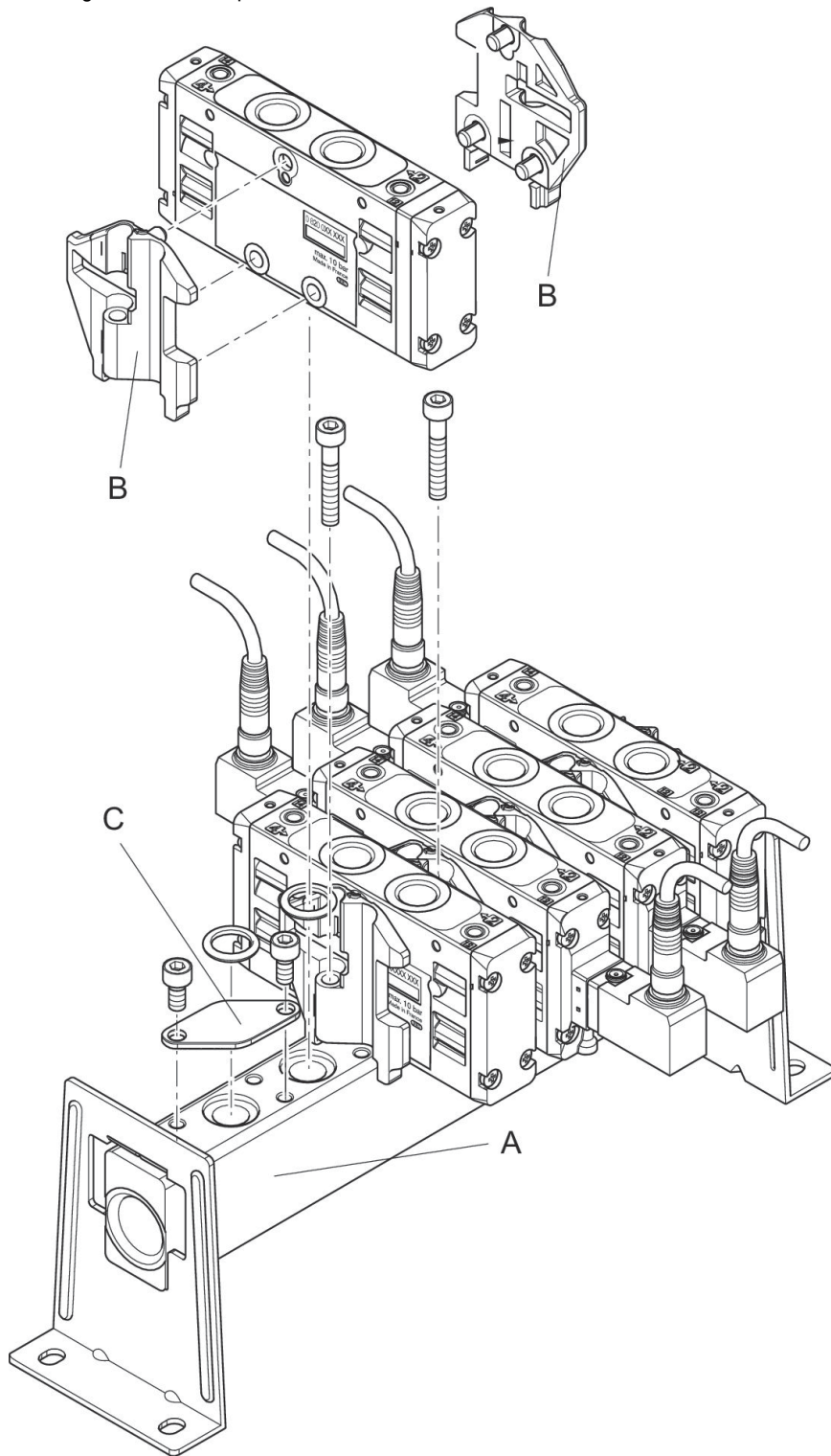


Manifold strip, Series TC15



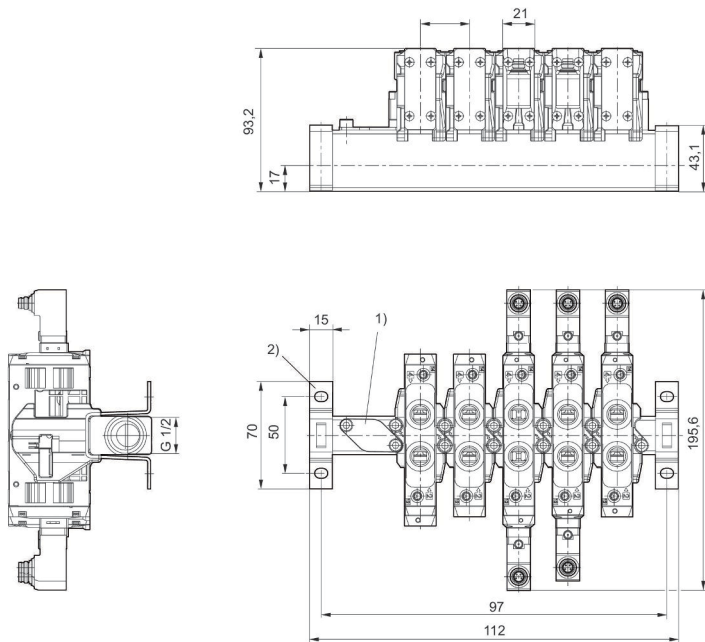
Type	Min. ambient temperature [°C]	Max. ambient temperature [°C]	Max. number of valve positions	Part No.
Manifold strip	-10	50	2	R422000942

Mounting on manifold strip



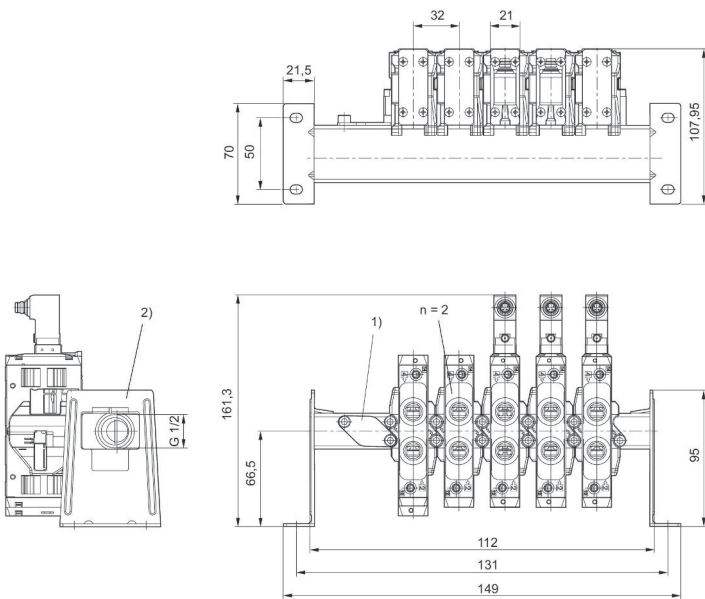
The following must be ordered to mount the valves: manifold strip A, mounting kit B (R422000947), blanking plate C (R422000938)

Dimensions in mm
p-strip with support bracket



- 1) Blanking plate
 - 2) Please order mounting clip 1821332051 separately.
- n = number of valve positions

Dimensions in mm
P strip with mounting bracket, vertical installation

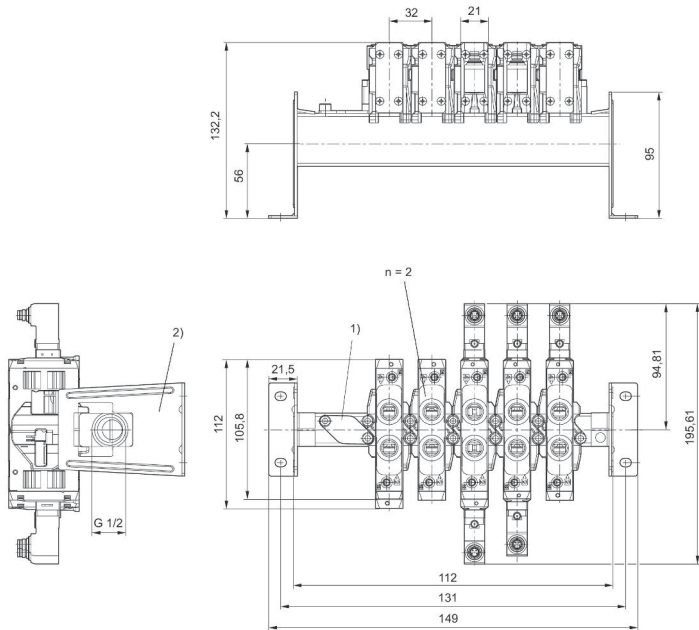


- 1) Blanking plate
 - 2) Please order mounting bracket 1821332050 separately.
- n = number of valve positions

Vertical installation not possible with 5/2 directional valves, electrically operated on each side and 5/3 directional valves, electrically operated.

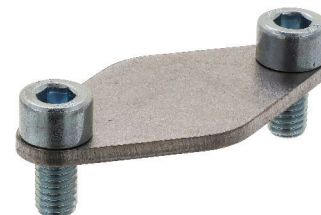
Dimensions in mm

P strip with mounting bracket, horizontal installation



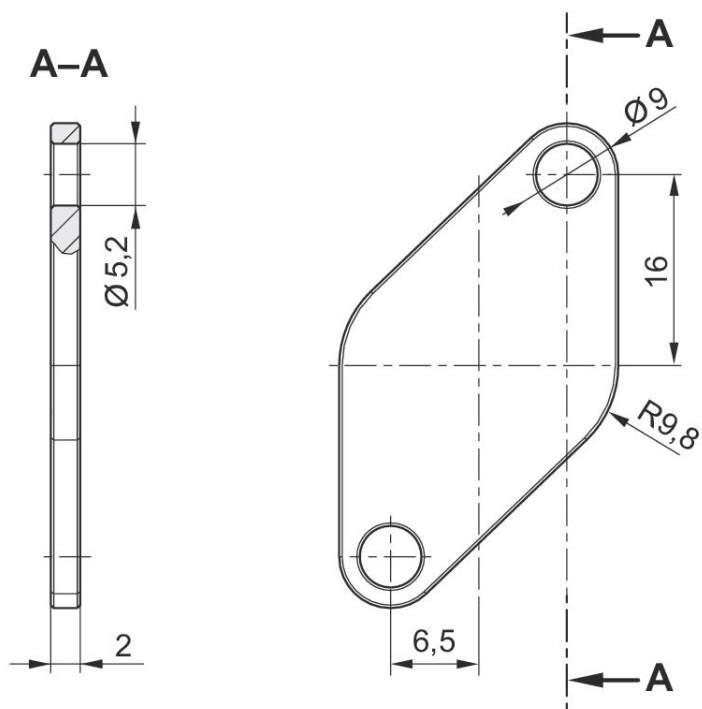
- 1) Blanking plate
 - 2) Please order mounting bracket 1821332050 separately.
- n = number of valve positions

Blanking plate, TC15 series



Material	Part No.
Galvanized Steel	R422000938

Dimensions in mm



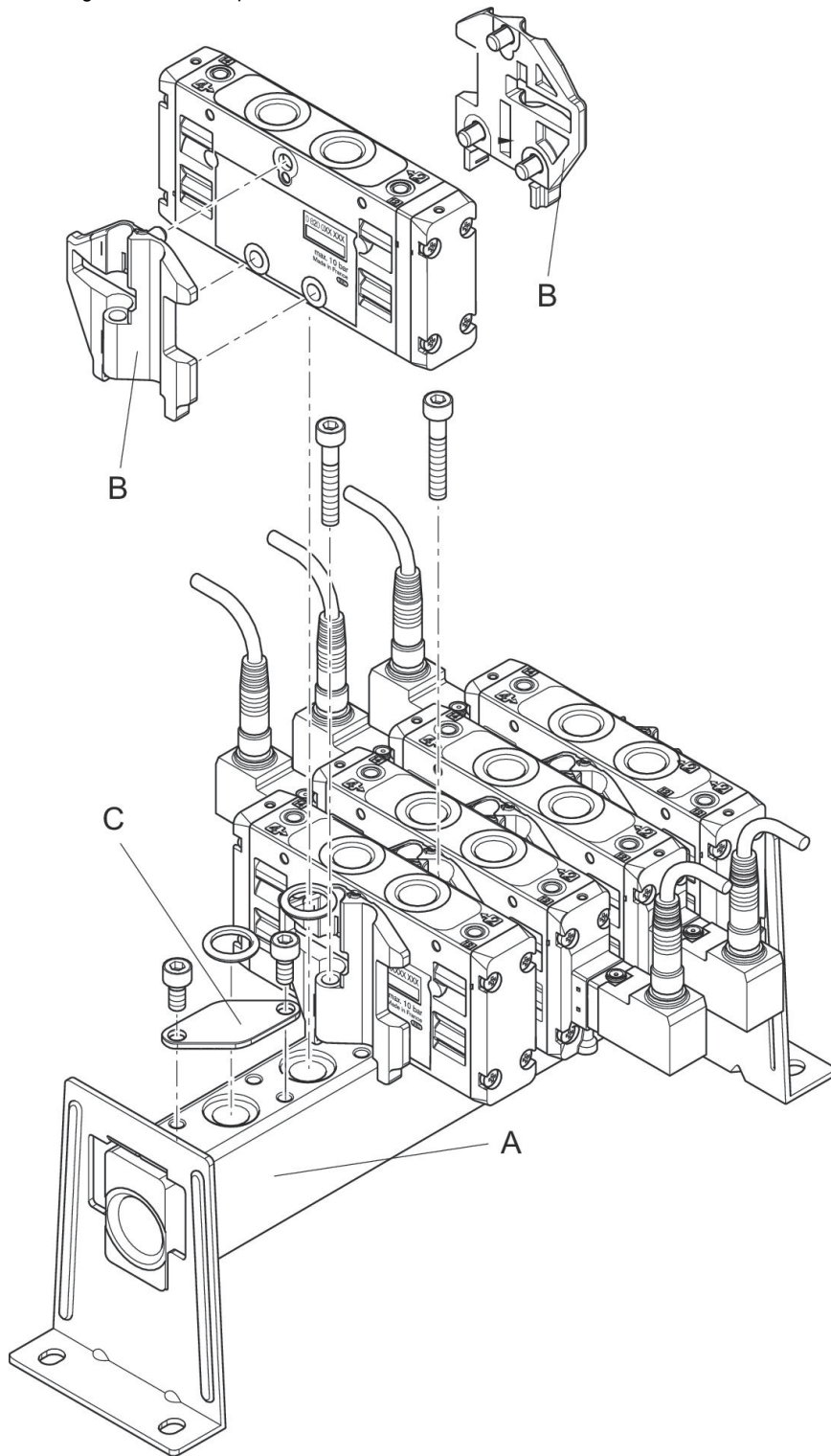
Scope of delivery incl. 2 mounting screws, 1 x O-ring

Manifold strip, Series TC15



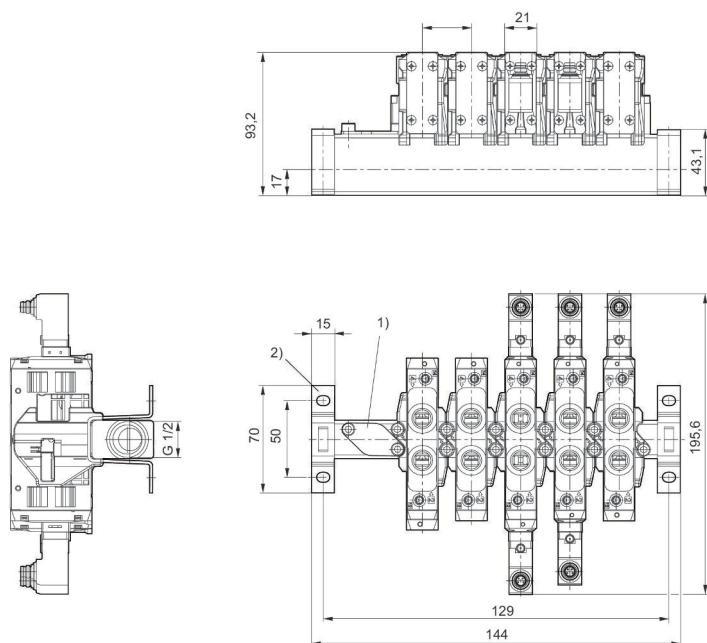
Type	Min. ambient temperature [°C]	Max. ambient temperature [°C]	Max. number of valve positions	Part No.
Manifold strip	-10	50	3	R422000943

Mounting on manifold strip



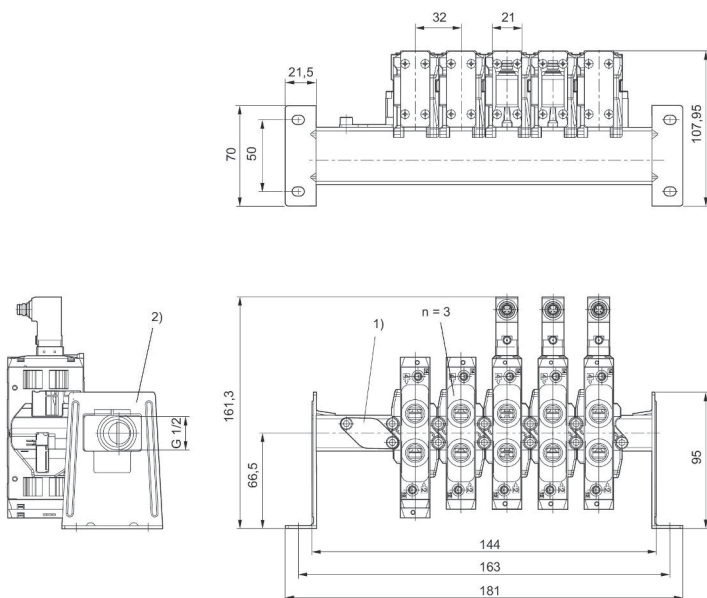
The following must be ordered to mount the valves: manifold strip A, mounting kit B (R422000947), blanking plate C (R422000938)

Dimensions in mm
p-strip with support bracket



- 1) Blanking plate
 - 2) Please order mounting clip 1821332051 separately.
- n = number of valve positions

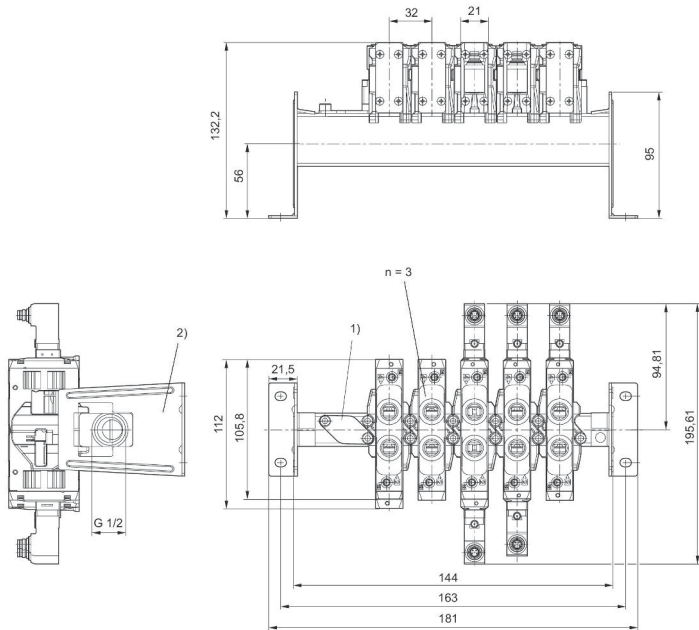
Dimensions in mm
P strip with mounting bracket, vertical installation



- 1) Blanking plate
 - 2) Please order mounting bracket 1821332050 separately.
- n = number of valve positions
- Vertical installation not possible with 5/2 directional valves, electrically operated on each side and 5/3 directional valves, electrically operated.

Dimensions in mm

P strip with mounting bracket, horizontal installation



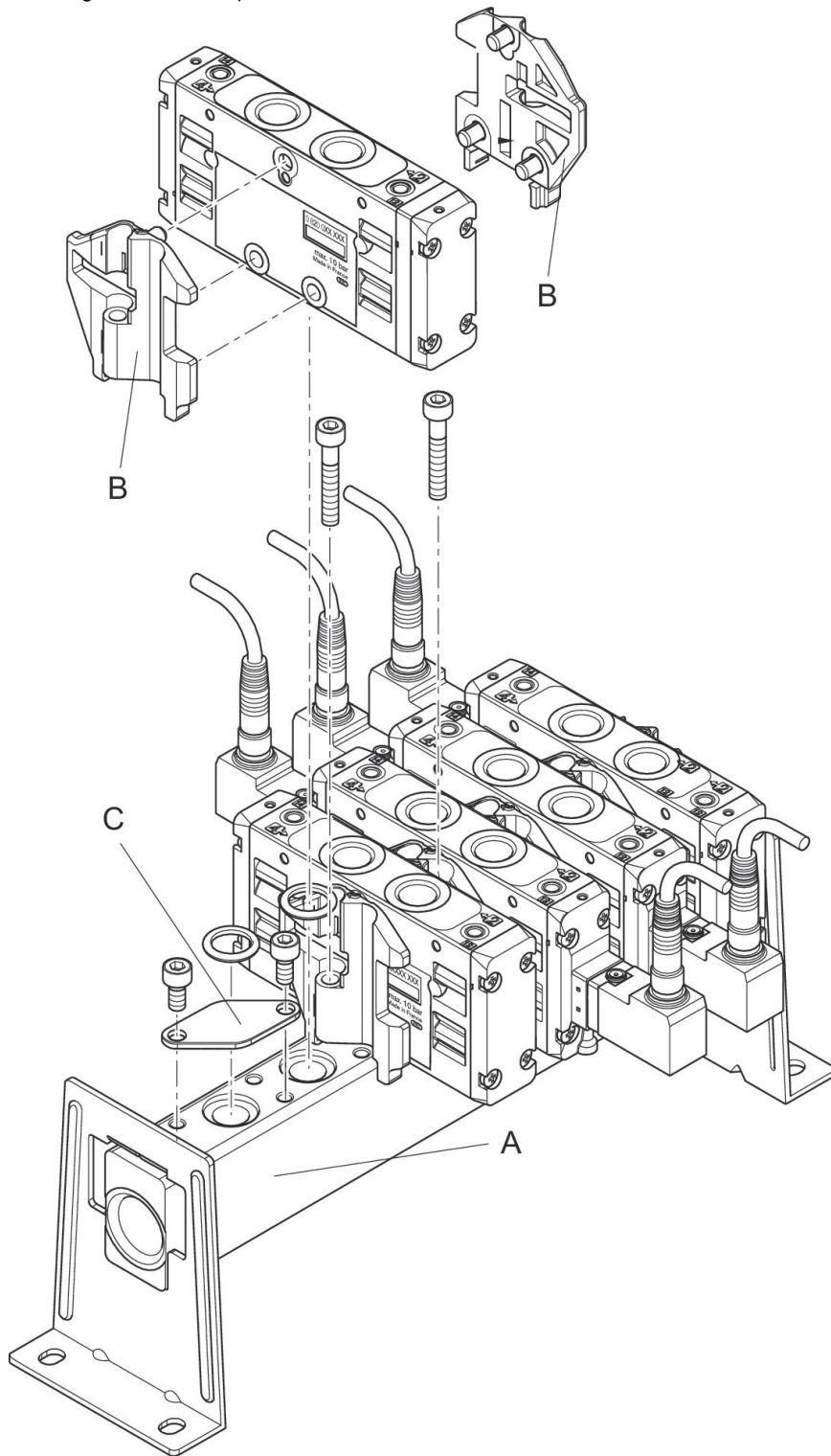
- 1) Blanking plate
 - 2) Please order mounting bracket 1821332050 separately.
- n = number of valve positions

Manifold strip, Series TC15



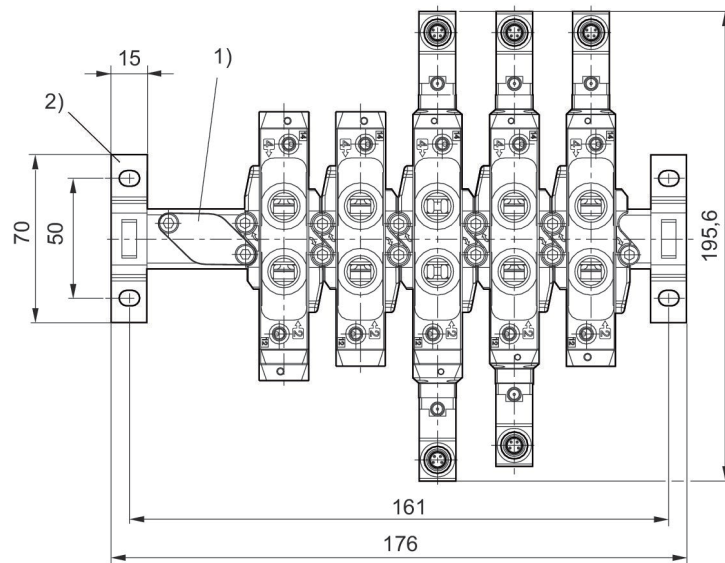
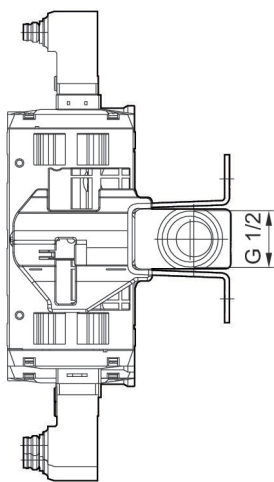
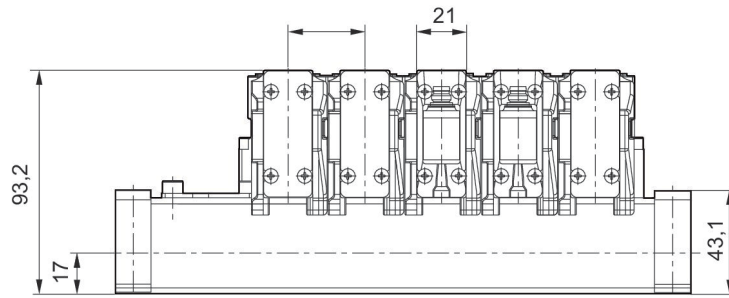
Type	Min. ambient temperature [°C]	Max. ambient temperature [°C]	Max. number of valve positions	Part No.
Manifold strip	-10	50	4	R422000944

Mounting on manifold strip



The following must be ordered to mount the valves: manifold strip A, mounting kit B (R422000947), blanking plate C (R422000938)

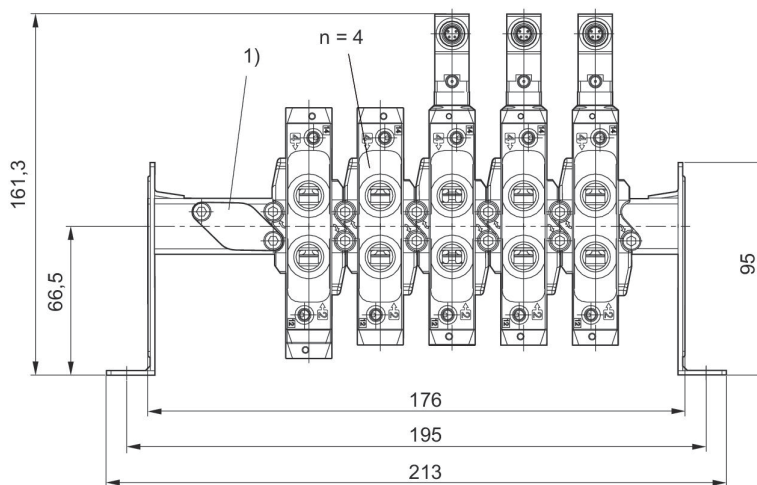
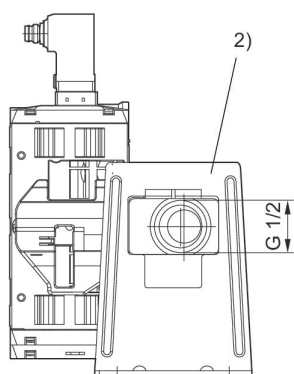
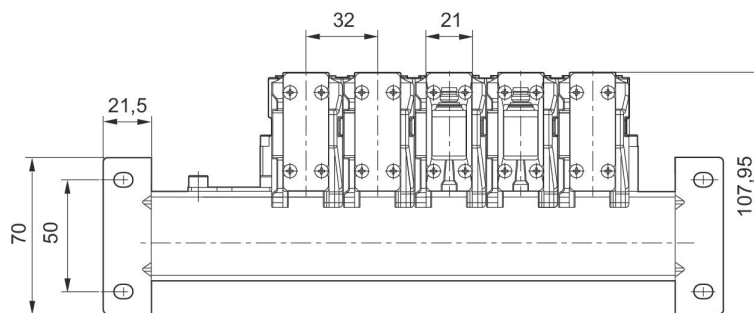
Dimensions in mm
p-strip with support bracket



- 1) Blanking plate
 - 2) Please order mounting clip 1821332051 separately.
- n = number of valve positions

Dimensions in mm

P strip with mounting bracket, vertical installation



1) Blanking plate

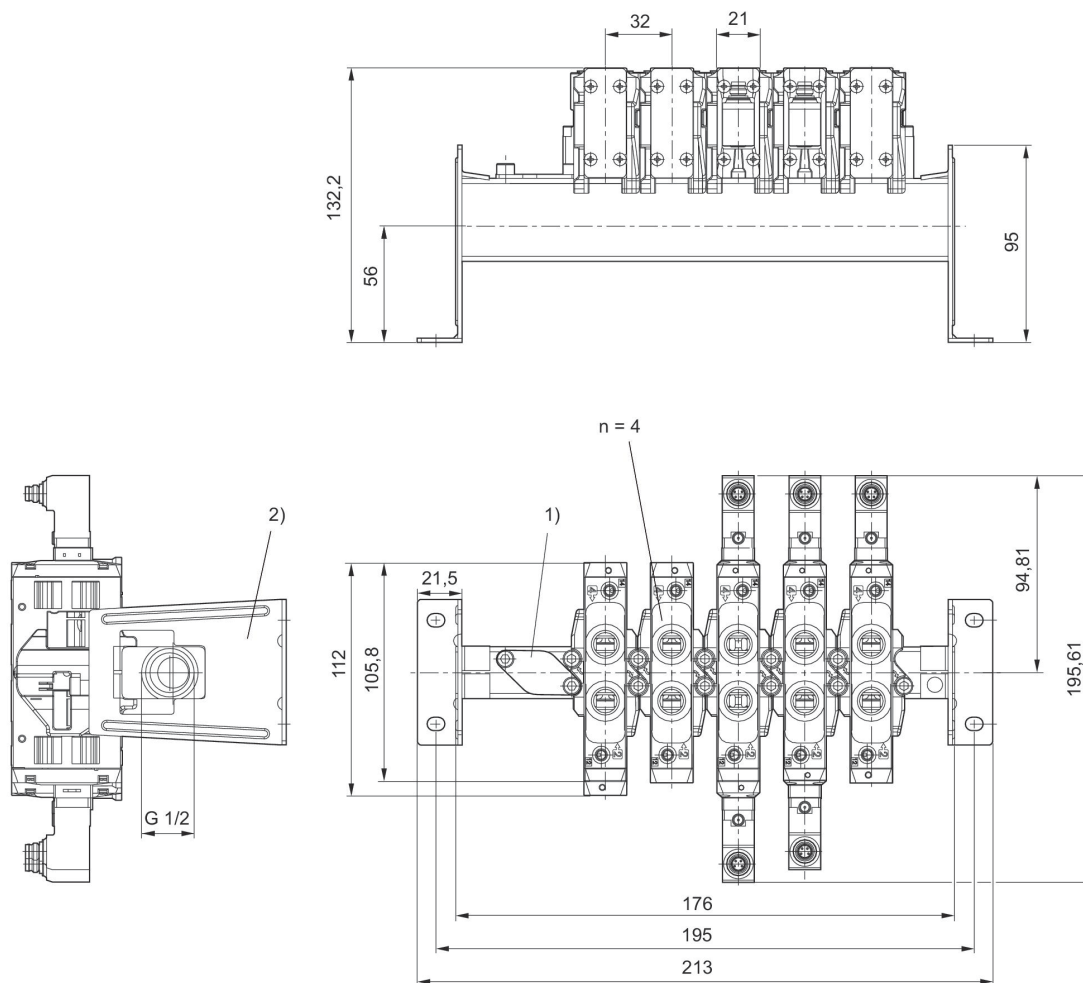
2) Please order mounting bracket 1821332050 separately.

n = number of valve positions

Vertical installation not possible with 5/2 directional valves, electrically operated on each side and 5/3 directional valves, electrically operated.

Dimensions in mm

P strip with mounting bracket, horizontal installation



1) Blanking plate

2) Please order mounting bracket 1821332050 separately.

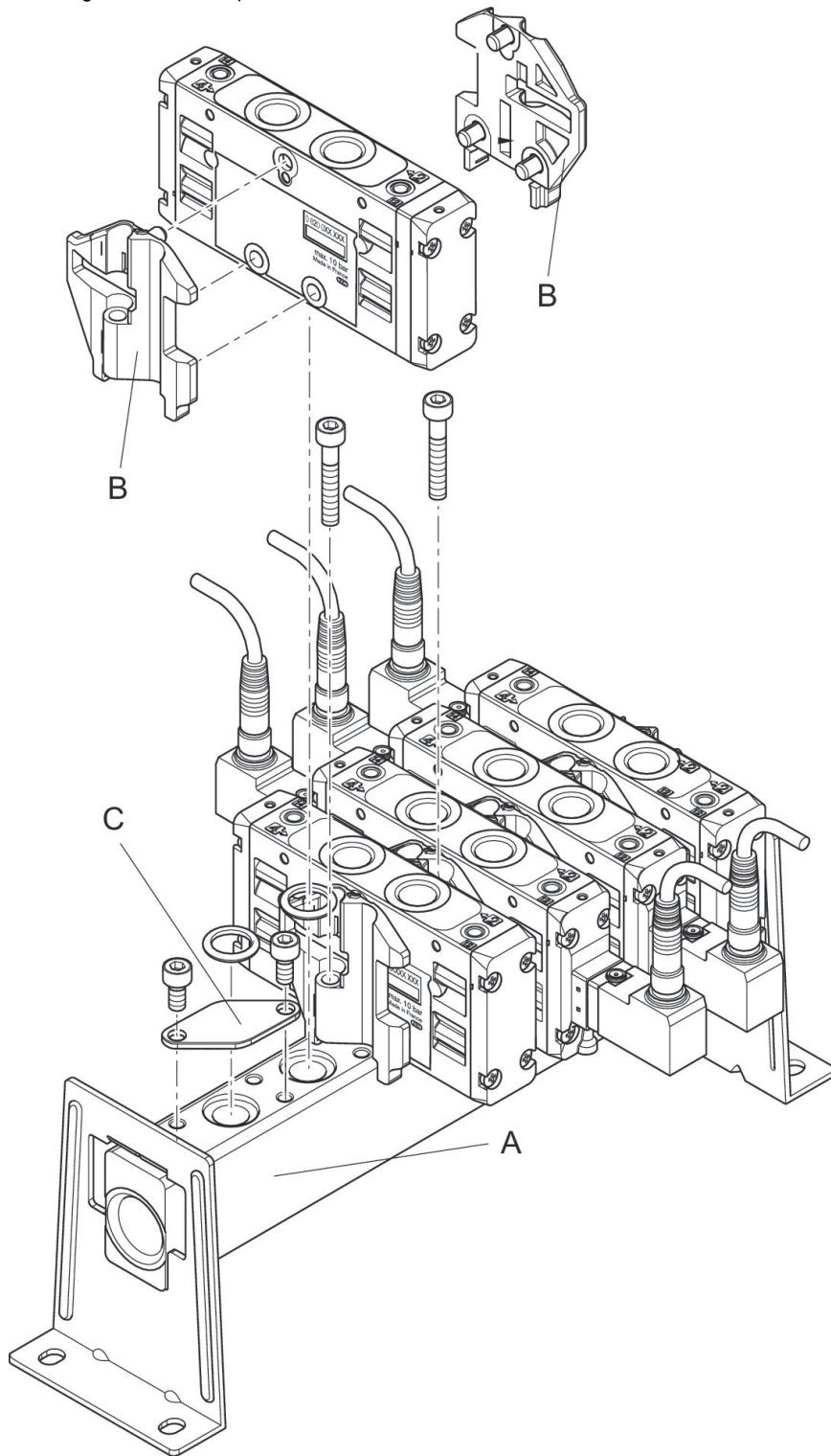
n = number of valve positions

Manifold strip, Series TC15



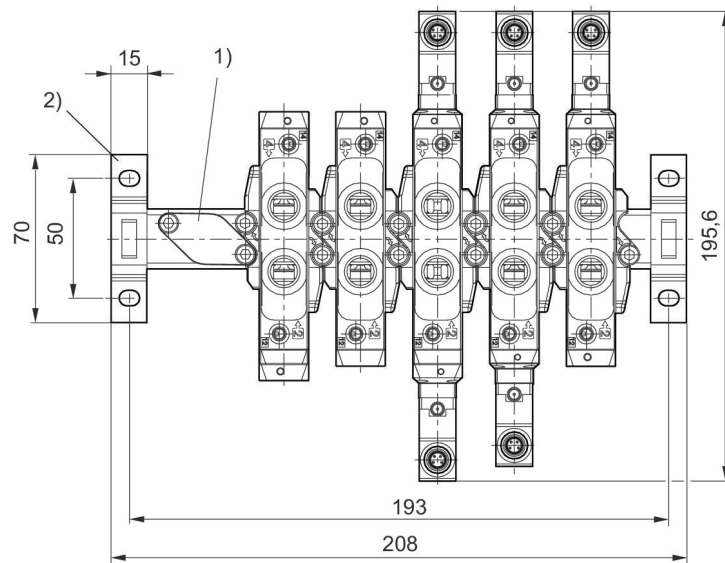
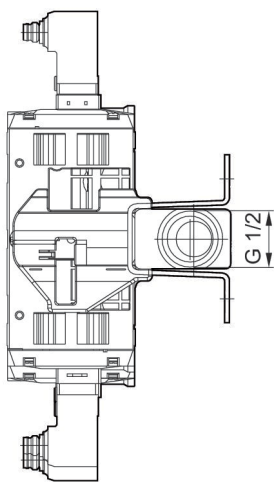
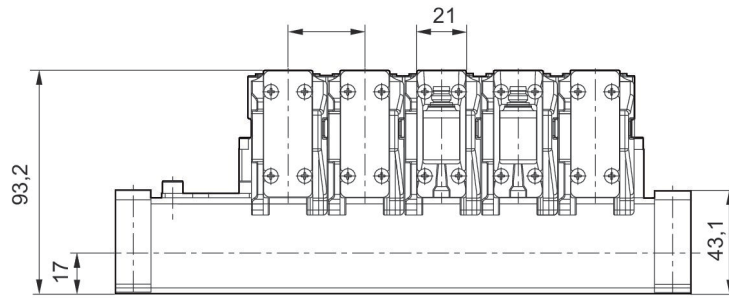
Type	Min. ambient temperature [°C]	Max. ambient temperature [°C]	Max. number of valve positions	Part No.
Manifold strip	-10	50	5	R422000945

Mounting on manifold strip



The following must be ordered to mount the valves: manifold strip A, mounting kit B (R422000947), blanking plate C (R422000938)

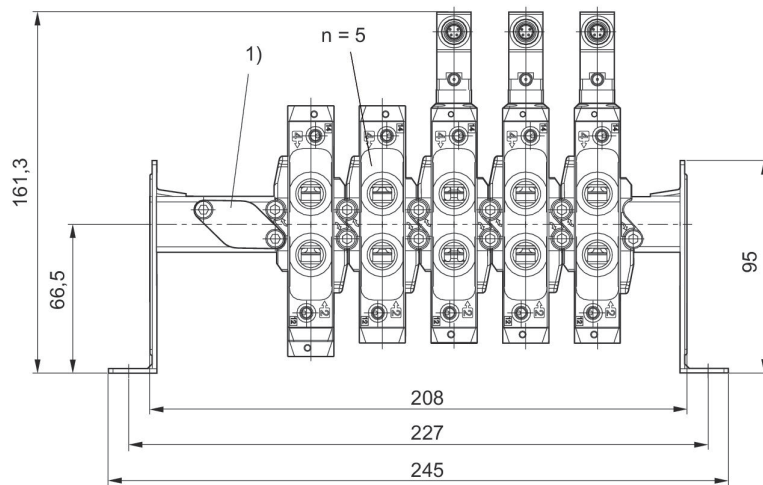
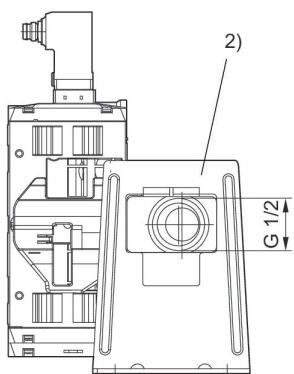
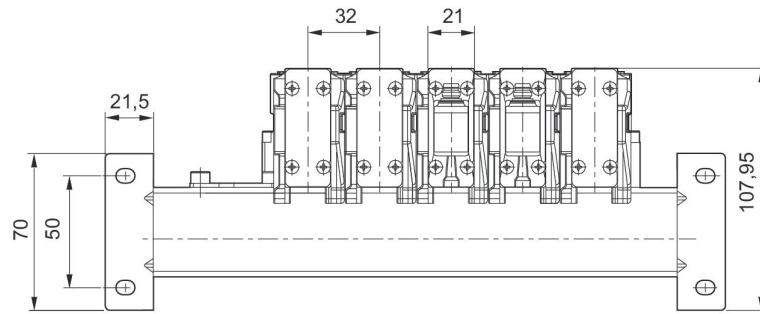
Dimensions in mm
p-strip with support bracket



- 1) Blanking plate
 - 2) Please order mounting clip 1821332051 separately.
- n = number of valve positions

Dimensions in mm

P strip with mounting bracket, vertical installation



1) Blanking plate

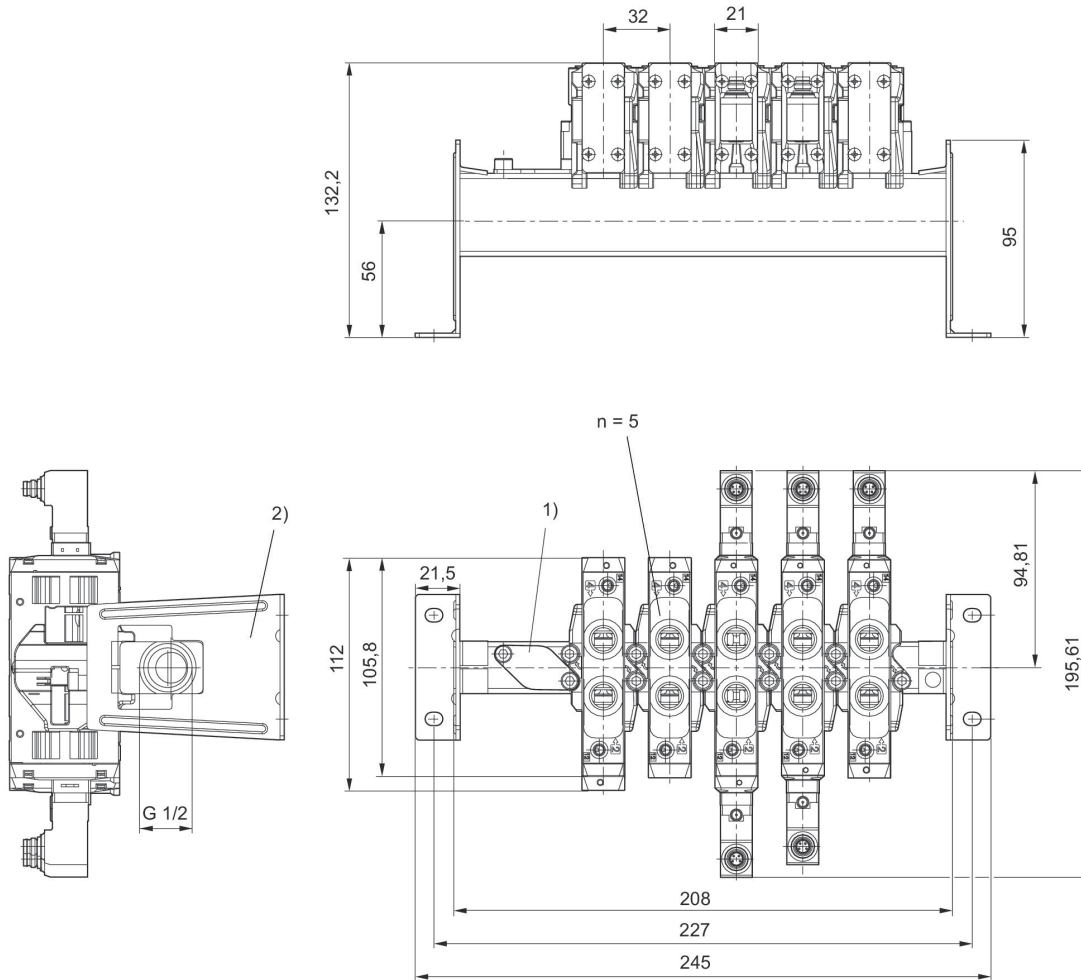
2) Please order mounting bracket 1821332050 separately.

n = number of valve positions

Vertical installation not possible with 5/2 directional valves, electrically operated on each side and 5/3 directional valves, electrically operated.

Dimensions in mm

P strip with mounting bracket, horizontal installation



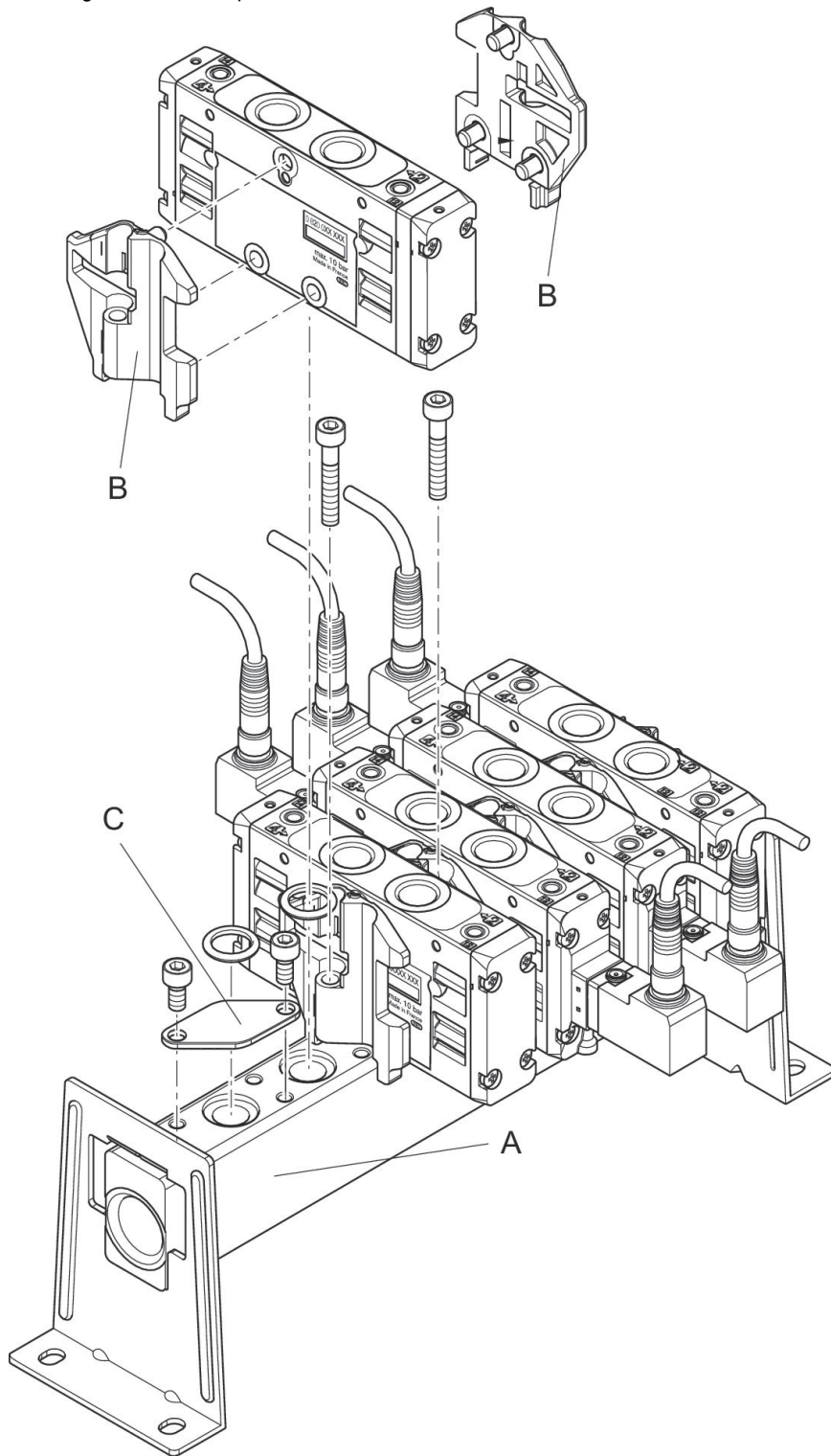
- 1) Blanking plate
 - 2) Please order mounting bracket 1821332050 separately.
- n = number of valve positions

Manifold strip, Series TC15



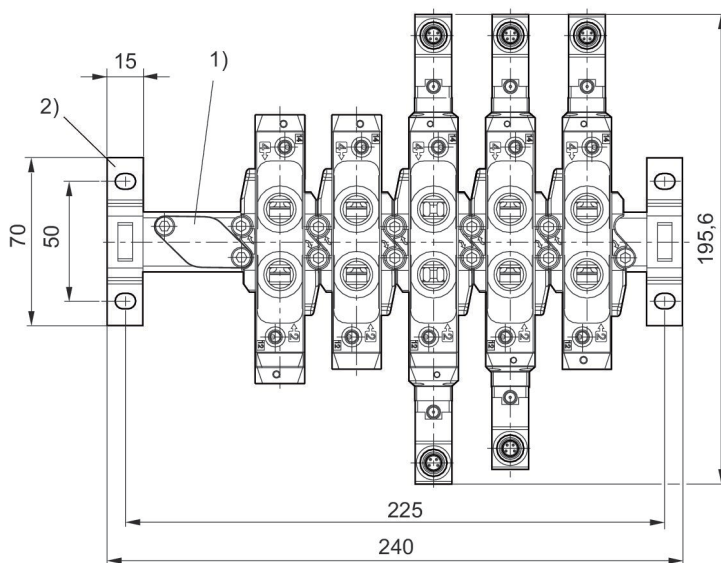
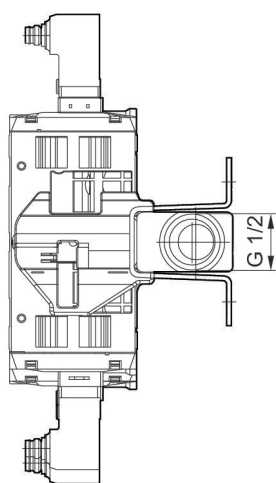
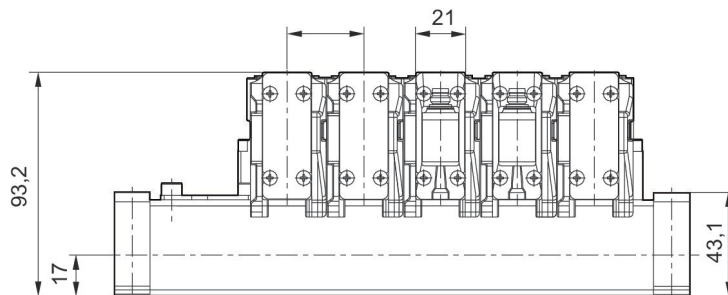
Type	Min. ambient temperature [°C]	Max. ambient temperature [°C]	Max. number of valve positions	Part No.
Manifold strip	-10	50	6	R422000946

Mounting on manifold strip



The following must be ordered to mount the valves: manifold strip A, mounting kit B (R422000947), blanking plate C (R422000938)

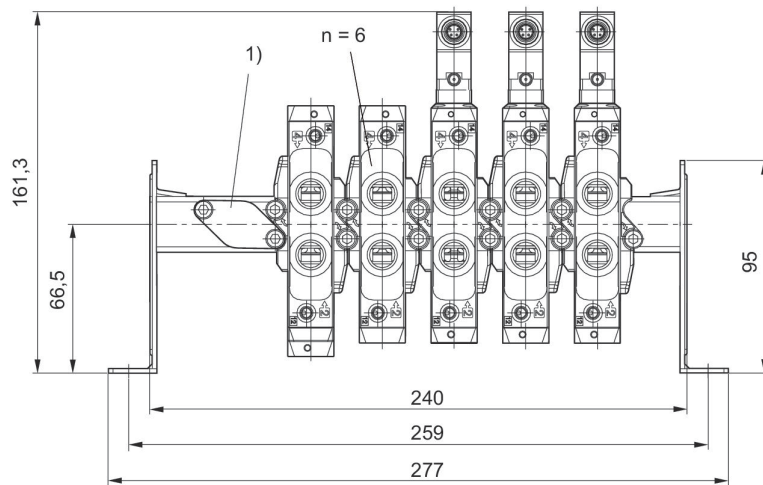
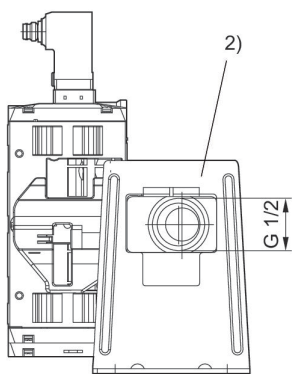
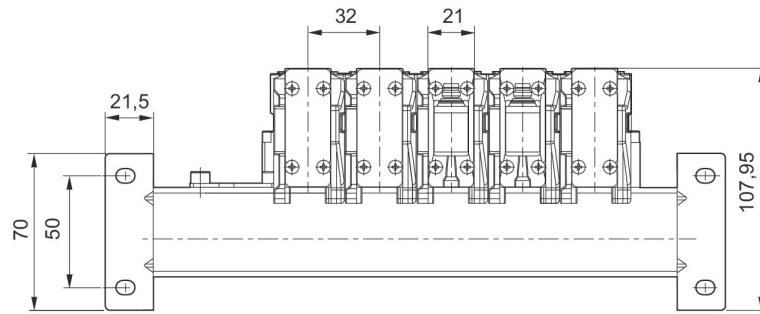
Dimensions in mm
p-strip with support bracket



- 1) Blanking plate
 - 2) Please order mounting clip 1821332051 separately.
- n = number of valve positions

Dimensions in mm

P strip with mounting bracket, vertical installation



1) Blanking plate

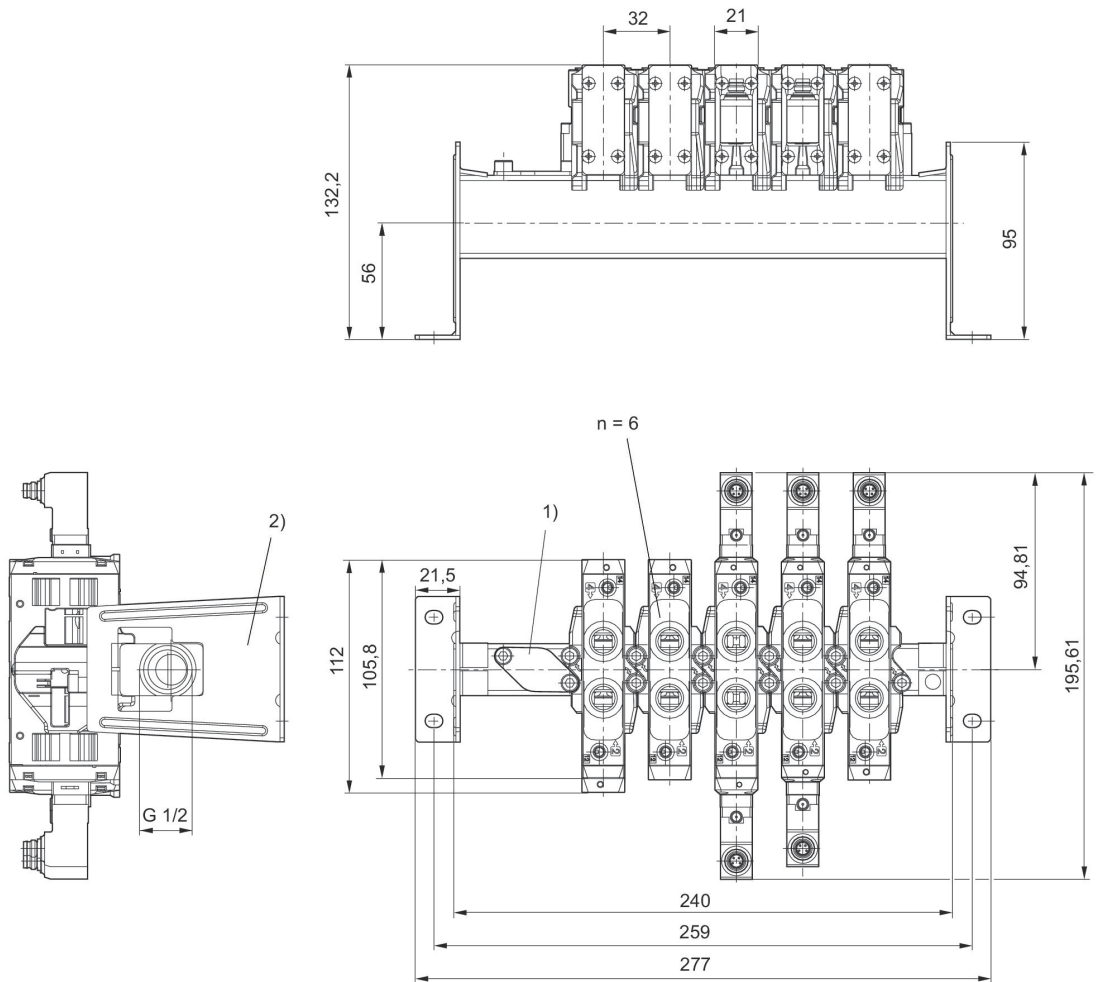
2) Please order mounting bracket 1821332050 separately.

n = number of valve positions

Vertical installation not possible with 5/2 directional valves, electrically operated on each side and 5/3 directional valves, electrically operated.

Dimensions in mm

P strip with mounting bracket, horizontal installation



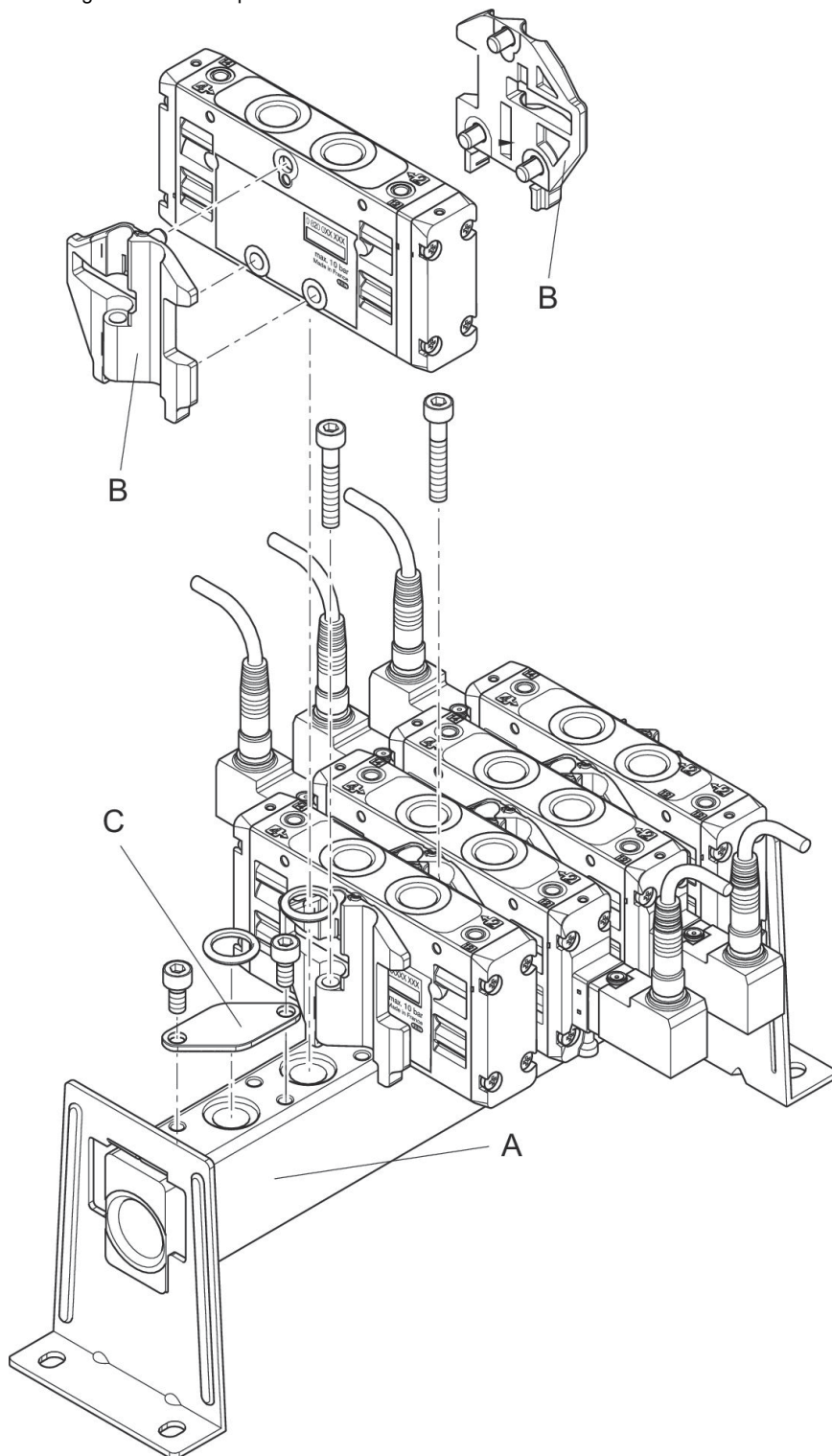
- 1) Blanking plate
 - 2) Please order mounting bracket 1821332050 separately.
- n = number of valve positions

Manifold strip, Series TC15



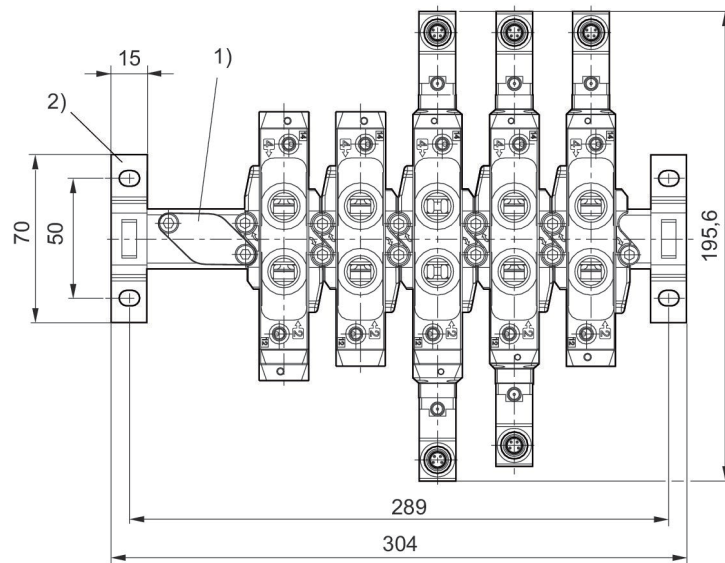
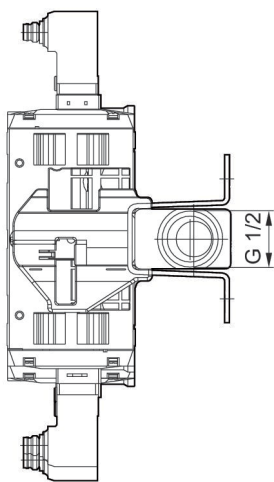
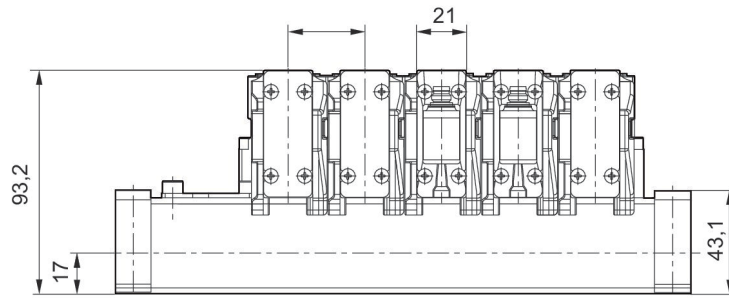
Type	Min. ambient temperature [°C]	Max. ambient temperature [°C]	Max. number of valve positions	Part No.
Manifold strip	-10	50	8	R412012680

Mounting on manifold strip



The following must be ordered to mount the valves: manifold strip A, mounting kit B (R422000947), blanking plate C (R422000938)

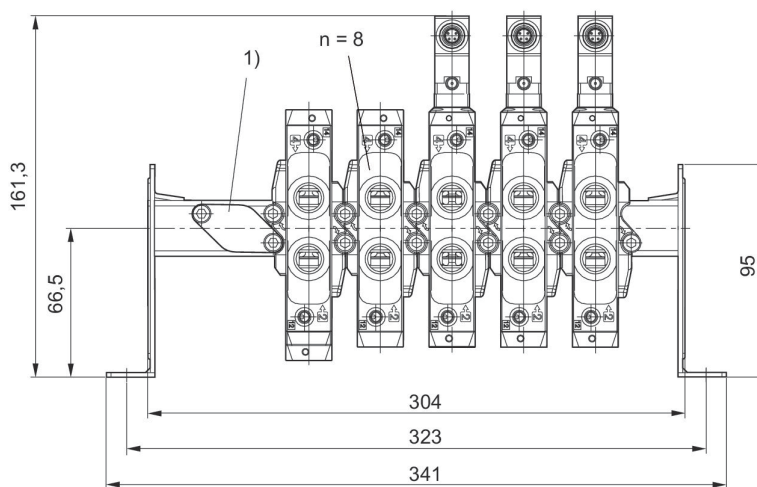
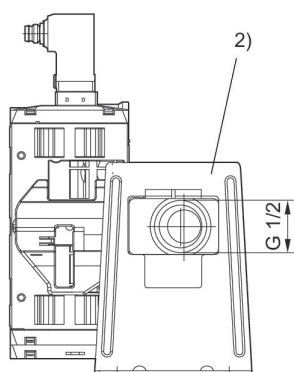
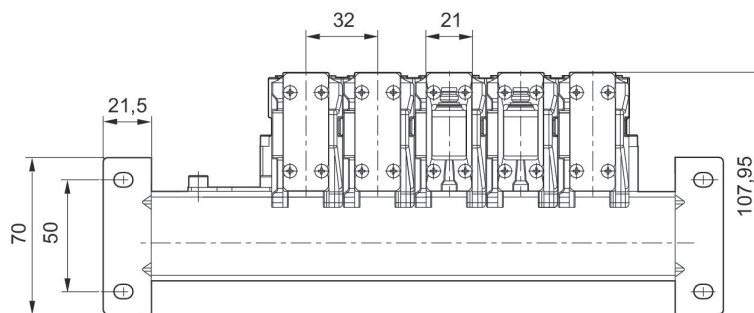
Dimensions in mm
p-strip with support bracket



- 1) Blanking plate
 - 2) Please order mounting clip 1821332051 separately.
- n = number of valve positions

Dimensions in mm

P strip with mounting bracket, vertical installation



1) Blanking plate

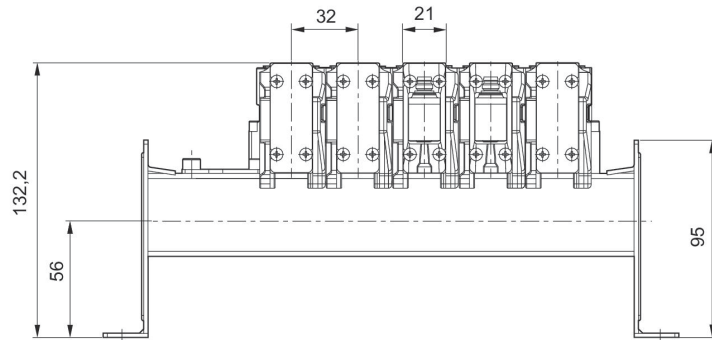
2) Please order mounting bracket 1821332050 separately.

n = number of valve positions

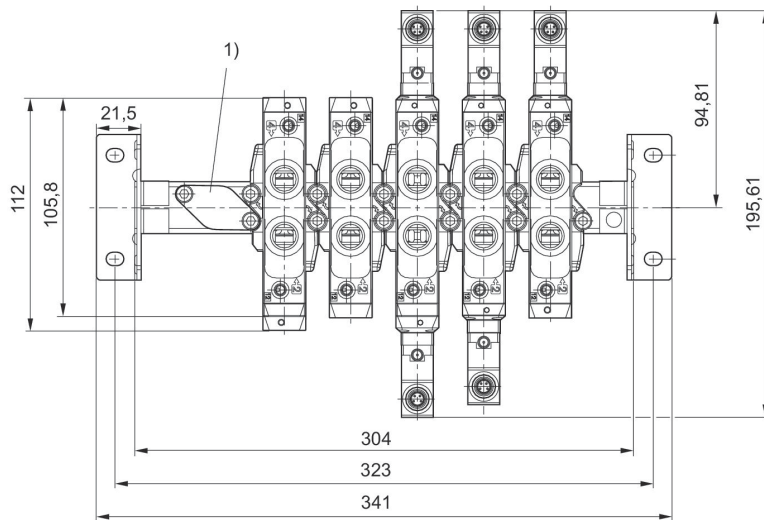
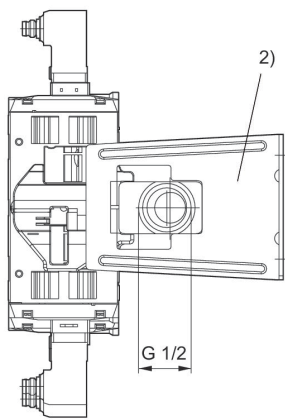
Vertical installation not possible with 5/2 directional valves, electrically operated on each side and 5/3 directional valves, electrically operated.

Dimensions in mm

P strip with mounting bracket, horizontal installation



n = 8



1) Blanking plate

2) Please order mounting bracket 1821332050 separately.

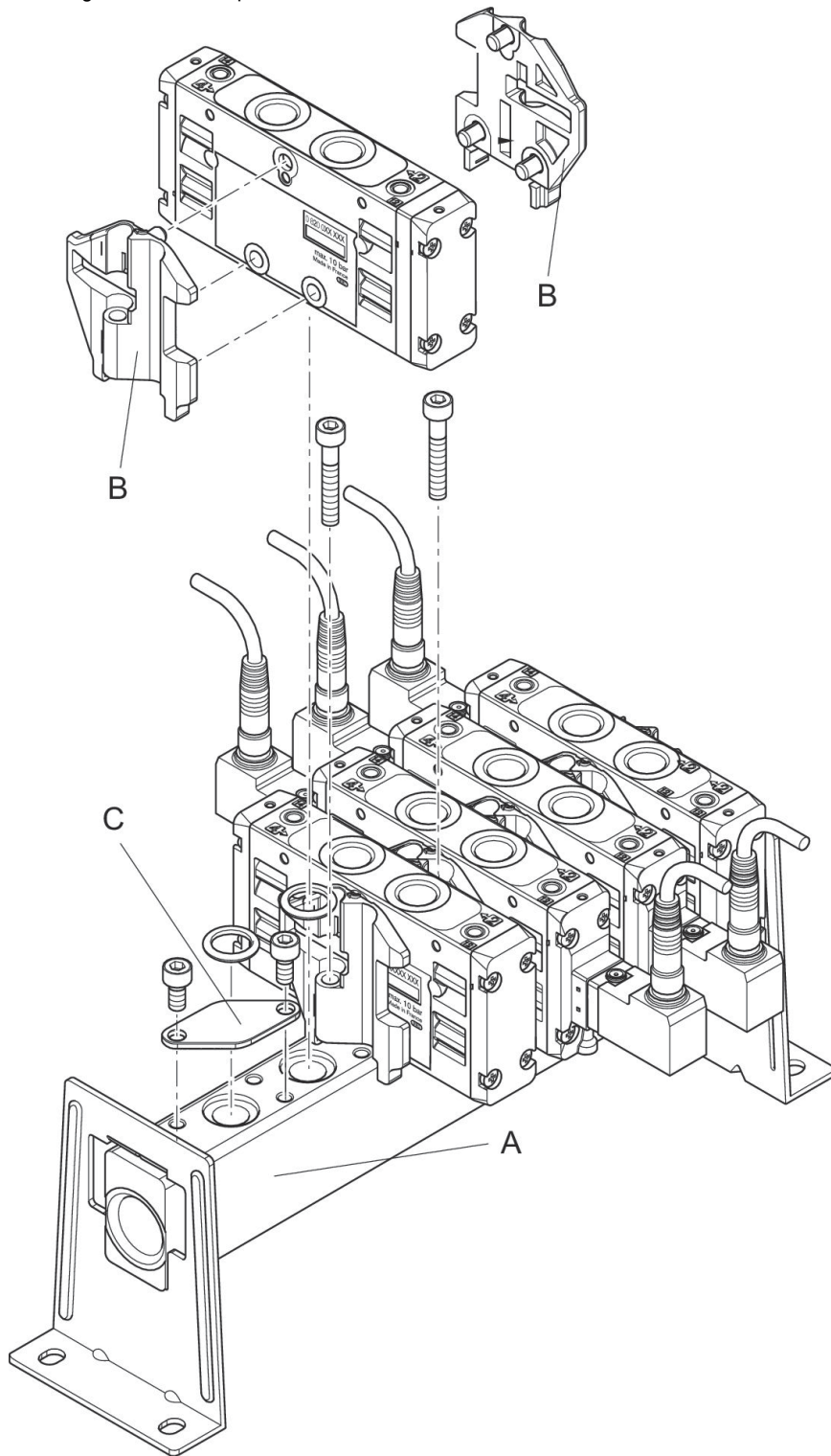
n = number of valve positions

Manifold strip, Series TC15



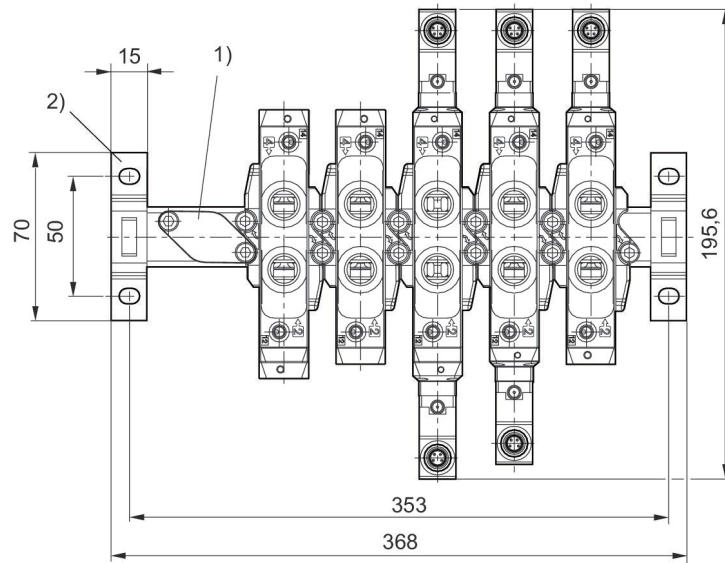
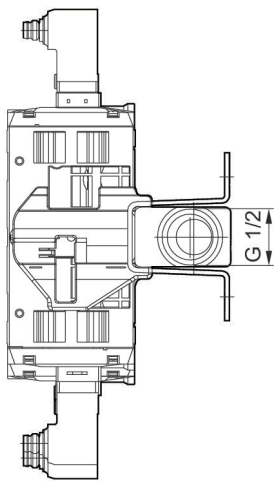
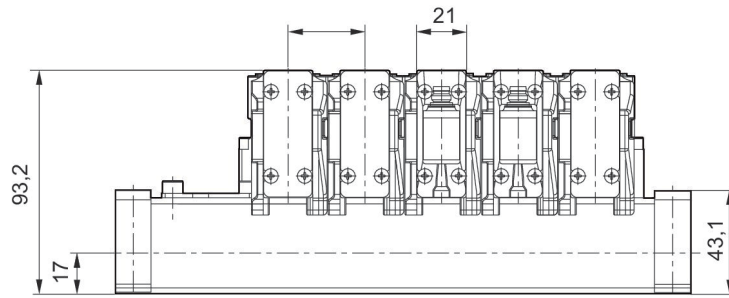
Type	Min. ambient temperature [°C]	Max. ambient temperature [°C]	Max. number of valve positions	Part No.
Manifold strip	-10	50	10	R412012681

Mounting on manifold strip



The following must be ordered to mount the valves: manifold strip A, mounting kit B (R422000947), blanking plate C (R422000938)

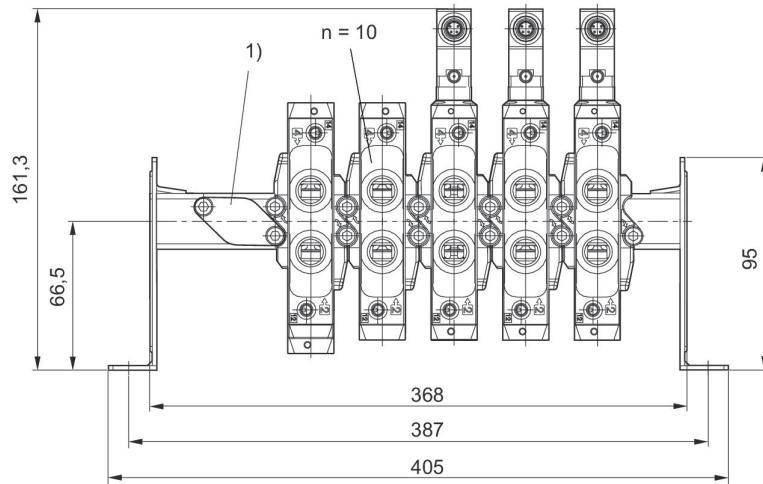
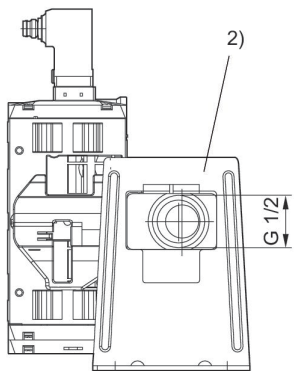
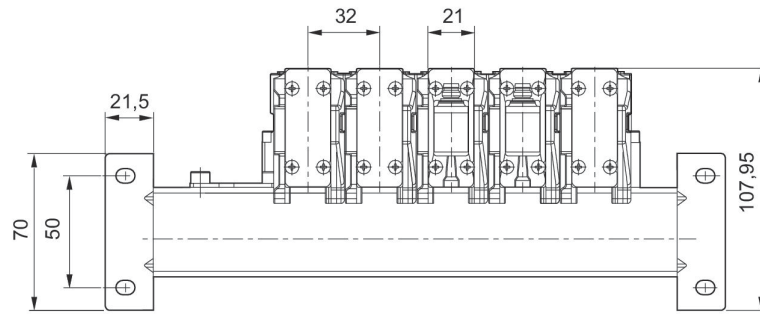
Dimensions in mm
p-strip with support bracket



- 1) Blanking plate
 - 2) Please order mounting clip 1821332051 separately.
- n = number of valve positions

Dimensions in mm

P strip with mounting bracket, vertical installation



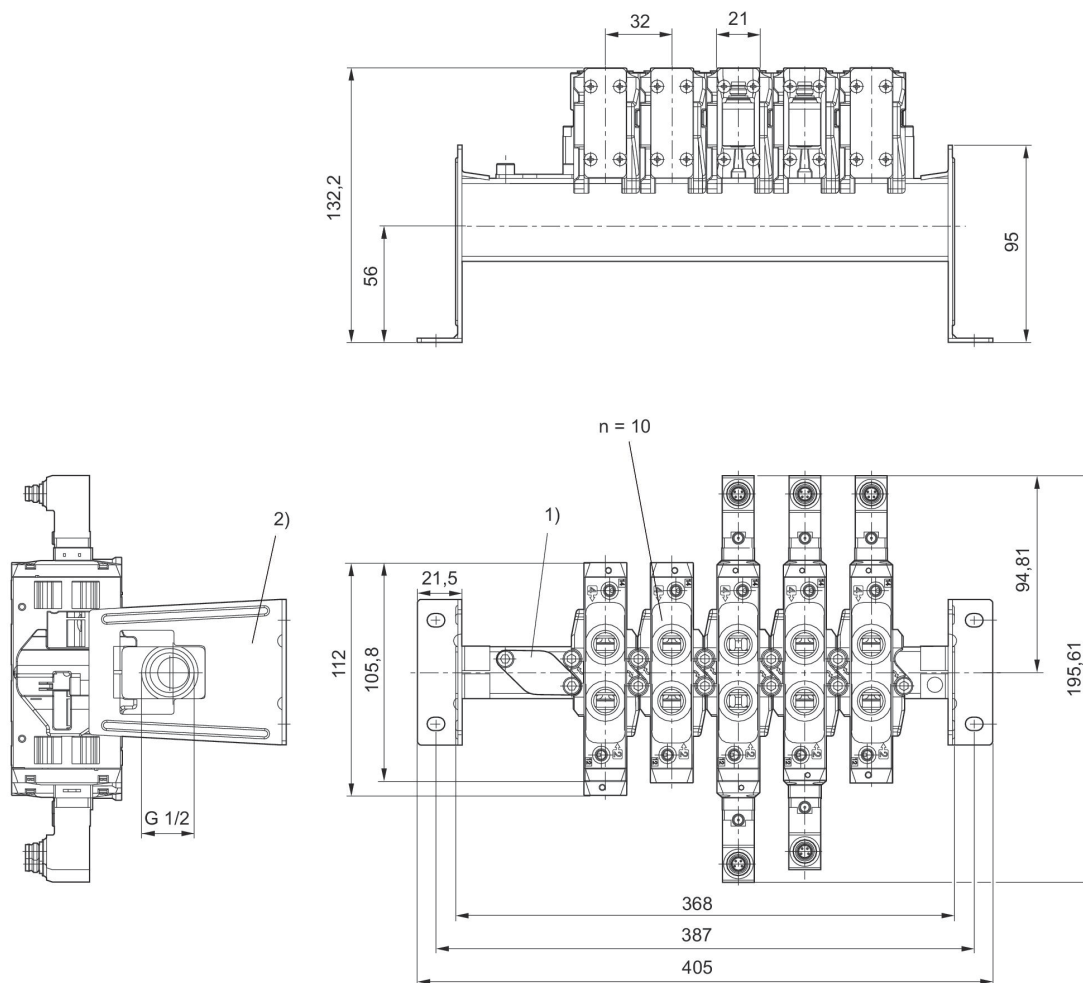
1) Blanking plate

2) Please order mounting bracket 1821332050 separately.

n = number of valve positions

Vertical installation not possible with 5/2 directional valves, electrically operated on each side and 5/3 directional valves, electrically operated.

Dimensions in mm
P strip with mounting bracket, horizontal installation



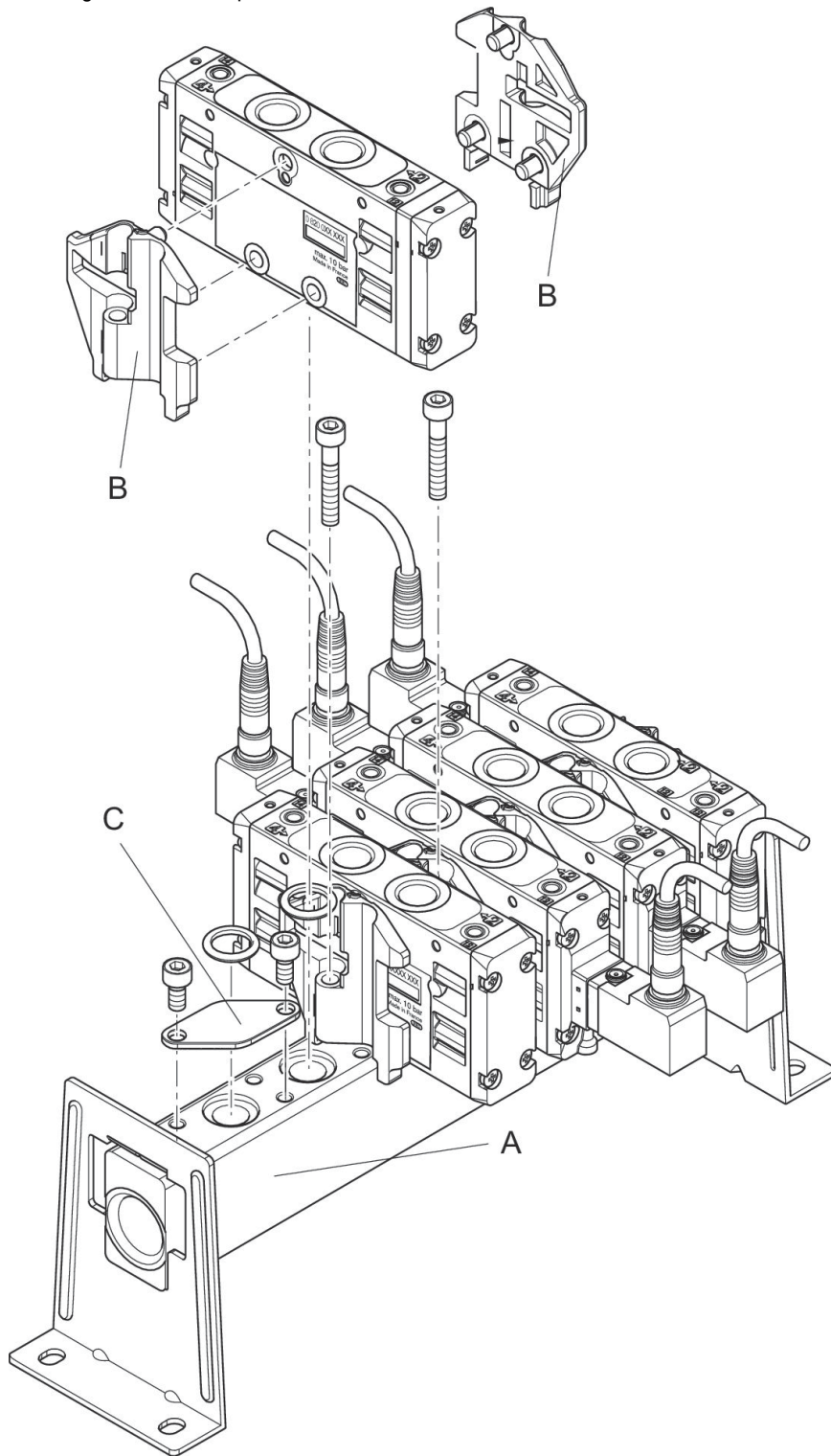
- 1) Blanking plate
 - 2) Please order mounting bracket 1821332050 separately.
- n = number of valve positions

Manifold strip, Series TC15



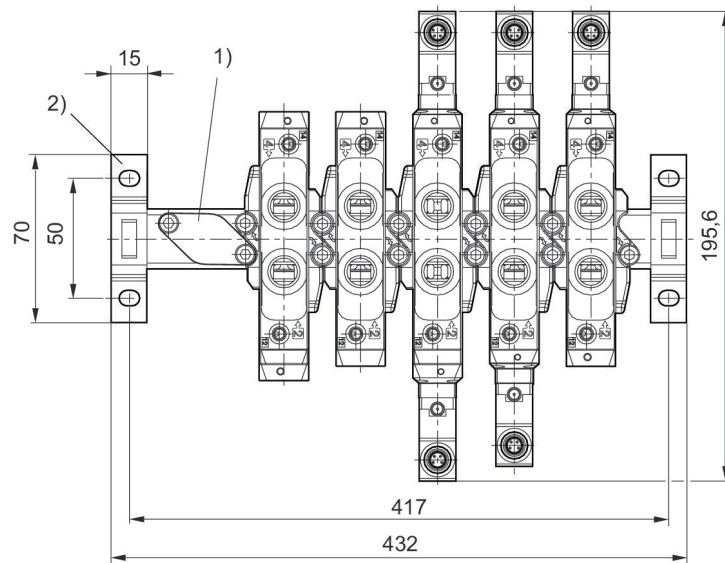
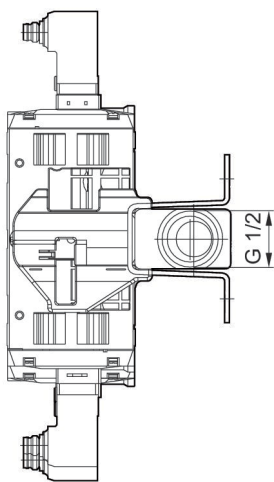
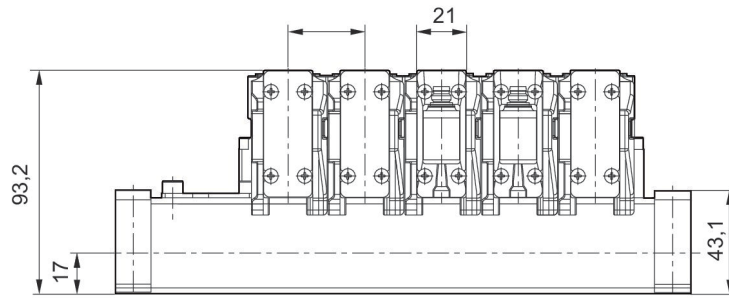
Type	Min. ambient temperature [°C]	Max. ambient temperature [°C]	Max. number of valve positions	Part No.
Manifold strip	-10	50	12	R412012682

Mounting on manifold strip



The following must be ordered to mount the valves: manifold strip A, mounting kit B (R422000947), blanking plate C (R422000938)

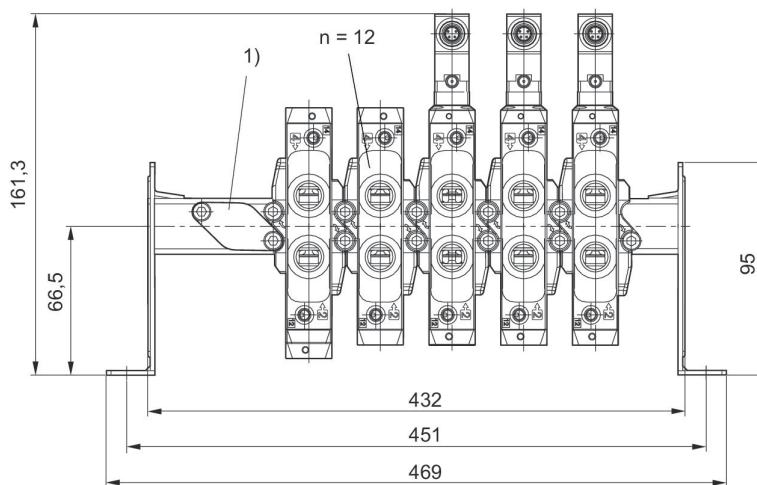
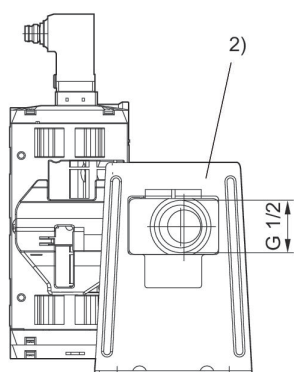
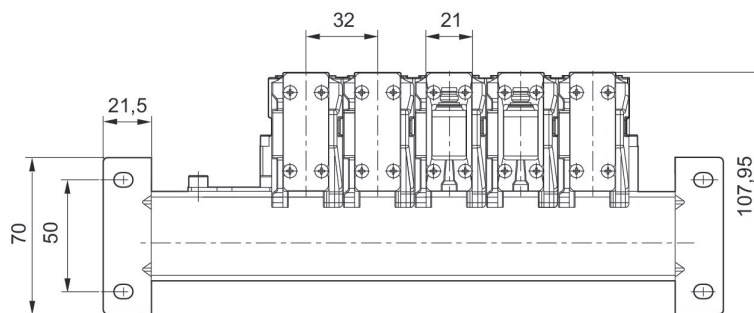
Dimensions in mm
p-strip with support bracket



- 1) Blanking plate
 - 2) Please order mounting clip 1821332051 separately.
- n = number of valve positions

Dimensions in mm

P strip with mounting bracket, vertical installation



1) Blanking plate

2) Please order mounting bracket 1821332050 separately.

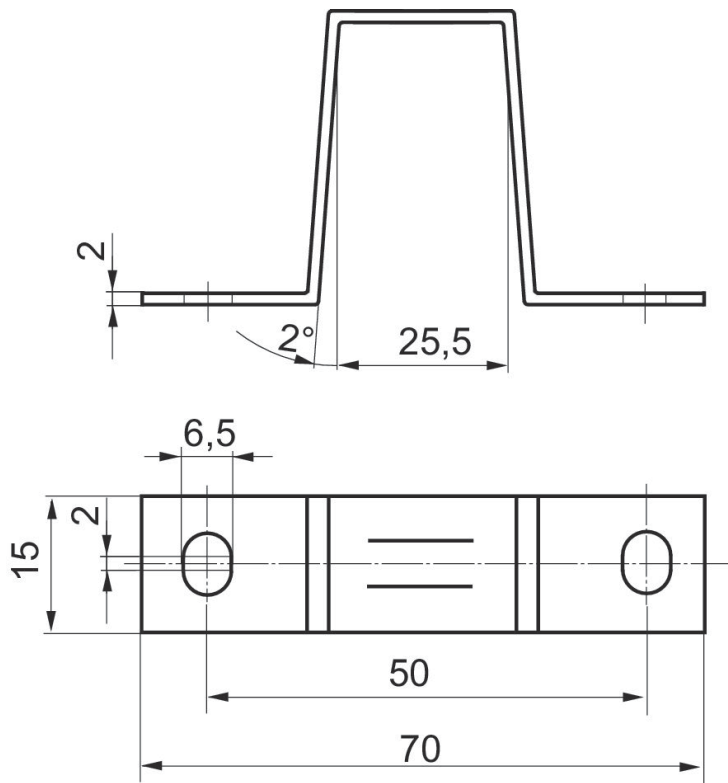
n = number of valve positions

Vertical installation not possible with 5/2 directional valves, electrically operated on each side and 5/3 directional valves, electrically operated.

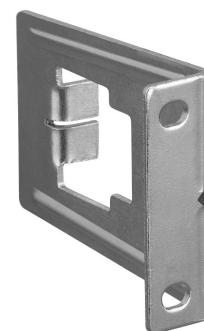
Mounting clip



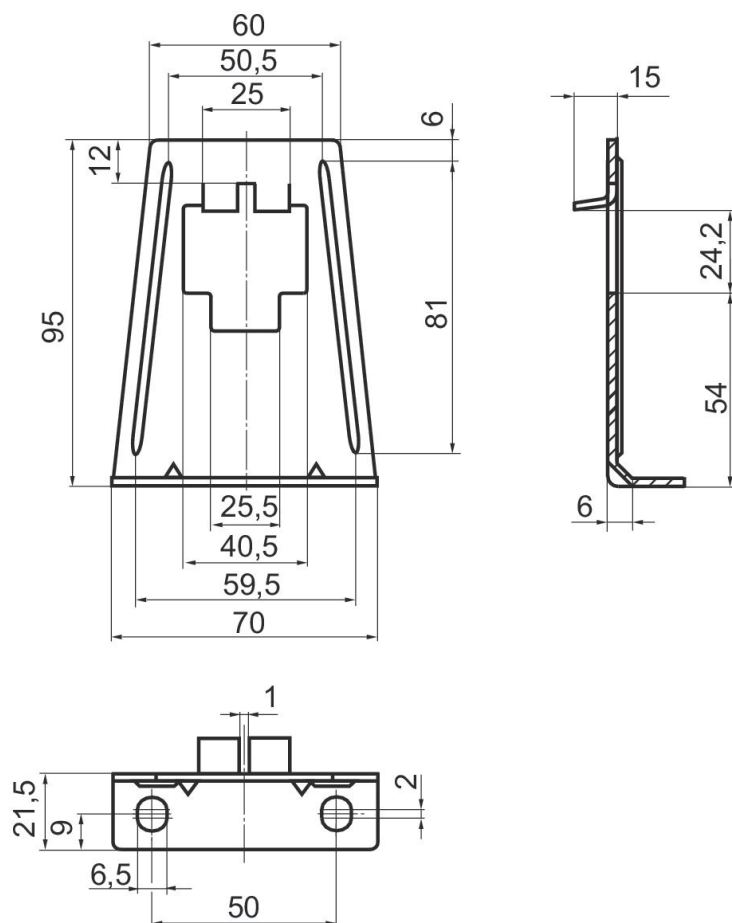
Type	Delivery unit [piece]	Weight [kg]	Part No.
Mounting clip	2	0.033	1821332051



Mounting bracket







Type	Delivery unit [piece]	Weight [kg]	Part No.
Mounting bracket	1	0.1	1821332050



Efficient pneumatic solutions, our program:
cylinders and drives, valves and valve systems,
air supply management, proportional pressure
control valves



Visit us: www.Emerson.com/aventics
Your local contact: Emerson.com/contactus

-  Emerson.com
-  Facebook.com/EmersonAutomationSolutions
-  LinkedIn.com/company/Emerson-Automation-Solutions
-  Twitter.com/EMR_Automation



The Emerson logo is a trademark and service mark of Emerson Electric Co. AVENTICS is a registered trademark of one of the Emerson family of companies. All other trademarks are the property of their respective owners. © 2020 Emerson Electric Co. All rights reserved.



CONSIDER IT SOLVED[®]