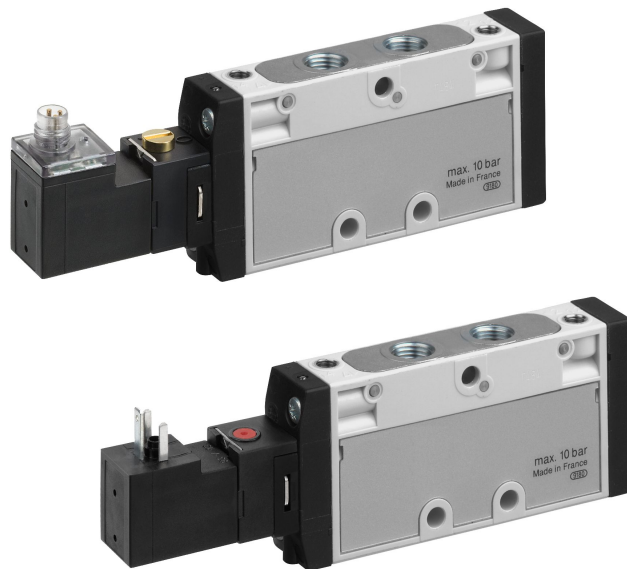


Series TC08



AVENTICS™

AVENTICS Series TC08
Directional valves


EMERSON™

Series TC08

The Series TC08/TC15 from AVENTICS includes a wide range of spool valves with housings made of high-performance polymers with robust and flexible metal inserts. It is designed for flow rate performances from 800 to 1,500 l/min. These directional valves are easy to assemble and ideal for applications that require maximum efficiency in tight spaces.

- Best-in-class flow-size ratio
- Large selection of electrical connections
- Electric or pneumatic operation
- Long service life
- Adjustable coil with four 90° positions



Product overview

	Page
Electrically operated, form C	
2x3/2-directional valve, Series TC08.....	6
with detent	
2x3/2-directional valve, Series TC08.....	8
without detent	
5/2-directional valve, Series TC08.....	10
Single Solenoid - without detent	
5/2-directional valve, Series TC08.....	12
Single Solenoid - with detent	
5/2-directional valve, Series TC08.....	14
Double Solenoid - without detent	
5/2-directional valve, Series TC08.....	16
Double Solenoid - with detent	
5/3-directional valve, Series TC08.....	18
with detent	
5/3-directional valve, Series TC08.....	20
without detent	
Electrically operated, form C, inch	
2x3/2-directional valve, Series TC08.....	22
with detent	
2x3/2-directional valve, Series TC08.....	25
with detent	
5/2-directional valve, Series TC08.....	29
with detent	
5/2-directional valve, Series TC08.....	32
with detent	
5/2-directional valve, Series TC08.....	35
with detent	
5/2-directional valve, Series TC08.....	37
without detent	
5/3-directional valve, Series TC08.....	39
with detent	
5/3-directional valve, Series TC08.....	40
5/3-directional valve, Series TC08.....	43
Electrically operated, M8, 3-pin	
2x3/2-directional valve, Series TC08.....	47
with detent	
5/2-directional valve, Series TC08.....	49
Single Solenoid - with detent	
5/2-directional valve, Series TC08.....	52
Double Solenoid - with detent	
5/3-directional valve, Series TC08.....	55
with detent	
Electrically operated, M8, 4-pin	
2x3/2-directional valve, Series TC08.....	58
without detent	
2x3/2-directional valve, Series TC08.....	60
with detent	

Product overview

	Page
5/2-directional valve, Series TC08.....	62
Single Solenoid - without detent	
5/2-directional valve, Series TC08.....	65
Single Solenoid - with detent	
5/2-directional valve, Series TC08.....	68
Double Solenoid - without detent	
5/2-directional valve, Series TC08.....	71
Double Solenoid - with detent	
5/3-directional valve, Series TC08.....	74
without detent	
5/3-directional valve, Series TC08.....	77
with detent	
Pneumatically operated	
2x3/2-directional valve, Series TC08.....	80
5/2-directional valve, Series TC08.....	83
Double Air Pilot	
5/3-directional valve, Series TC08.....	86
Accessories overview TC08	
Valve plug connector, series CON-VP, 0° female insert.....	88
Z-diode - 24 V AC/DC	
Valve plug connector with cable series CON-VP,, 180° female insert.....	91
Z-diode - 24 V AC/DC	
Valve plug connector, series CON-VP, form C, 300 V DC / 250 V AC.....	94
Valve plug connector, series CON-VP, form C, 24 V AC/DC.....	96
Round plug connector, Series CON-RD.....	98
Socket - M8x1 - 3-pin - straight - Soldering	
Round plug connector, Series CON-RD.....	99
Socket - M8x1 - 3-pin - angled - Soldering	
Round plug connector, Series CON-RD.....	100
Socket - M8x1 - 3-pin - straight - open cable ends - 3-pin	
Round plug connector, Series CON-RD.....	102
Socket - M8x1 - 3-pin - angled - open cable ends - 3-pin	
Round plug connector, Series CON-RD, open cable ends, straight, 4-pin.....	104
Socket - M8x1 - 4-pin - straight - open cable ends - 4-pin	
Round plug connector, Series CON-RD, Plug M8x1, 4-pin.....	106
Socket - M8x1 - 4-pin - angled - open cable ends - 4-pin	
Coil, Series CO1.....	108
Polyamide - 3-pin	
Coil, Series CO1.....	110
M8x1 - Polyamide	
Manifold strip, Series TC08.....	112
Mounting kit, TC08 series.....	117
Mounting kit	
Blanking plate, TC08 series.....	118
Manifold strip, Series TC08.....	119
Manifold strip, Series TC08.....	124
Manifold strip, Series TC08.....	129
Manifold strip, Series TC08.....	134
Manifold strip, Series TC08.....	139

Product overview

	Page
Manifold strip, Series TC08.....	144
Manifold strip, Series TC08.....	149
Mounting clip.....	154
Mounting bracket.....	155

2x3/2-directional valve, Series TC08

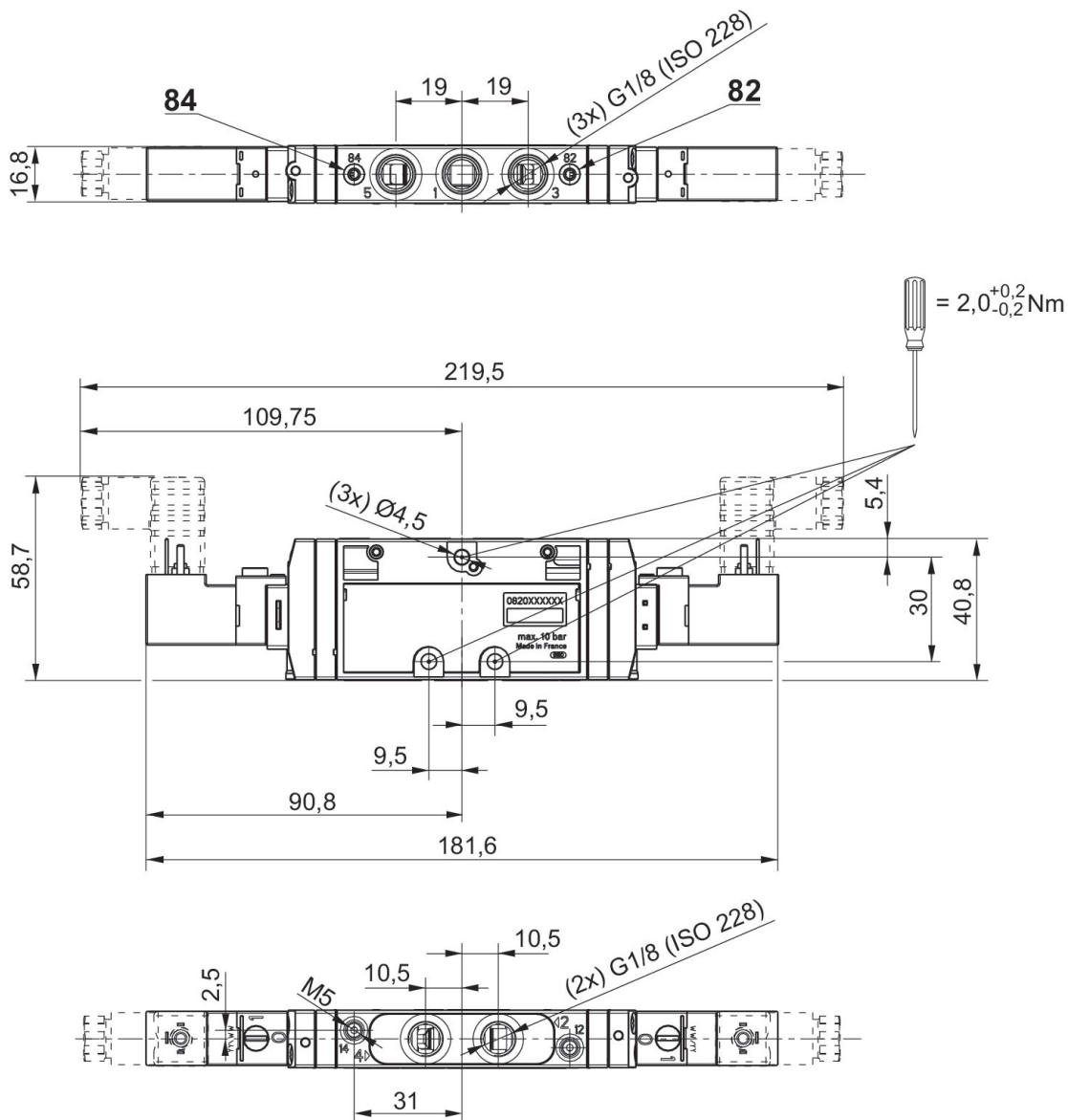
Flow: 600 l/min
 Activation: Electrically
 Manual override: with detent
 Duty cycle: 100 %
 Type: Spool valve, positive overlapping
 Ambient temperature min./max.: -10 °C ... 50 °C
 Medium temperature min./max.: -10 °C ... 50 °C
 Control pressure min./max.: 2.5 bar ... 10 bar
 Working pressure min./max.: 10 bar



	Valve function	Switching principle	Operational voltage	Pilot	Power consumption DC [W]	Max. working pressure [bar]	Typ. switch-on time [ms]	Part No.
	NC/NC	2x 3/2 NC/NC, with spring return	24 V DC	Internal	2	10	10	R422102002
	NO/NO	2x 3/2 NO/NO, with spring return	24 V DC	Internal	2	10	10	R422102006
	NC/NO	2x 3/2 NC/NO, with spring return	24 V DC	Internal	2	10	10	R422102010
	NC/NC	2x 3/2 NC/NC, with spring return	24 V DC	External	2	10	10	R422102013
	NO/NO	2x 3/2 NO/NO, with spring return	24 V DC	External	2	10	10	R422102016
	NC/NO	2x 3/2 NC/NO, with spring return	24 V DC	External	2	10	10	R422102019

Typ. switch-off time [ms]	Part No.
14	R422102002
14	R422102006
14	R422102010
14	R422102013
14	R422102016
14	R422102019

Dimensions



2x3/2-directional valve, Series TC08

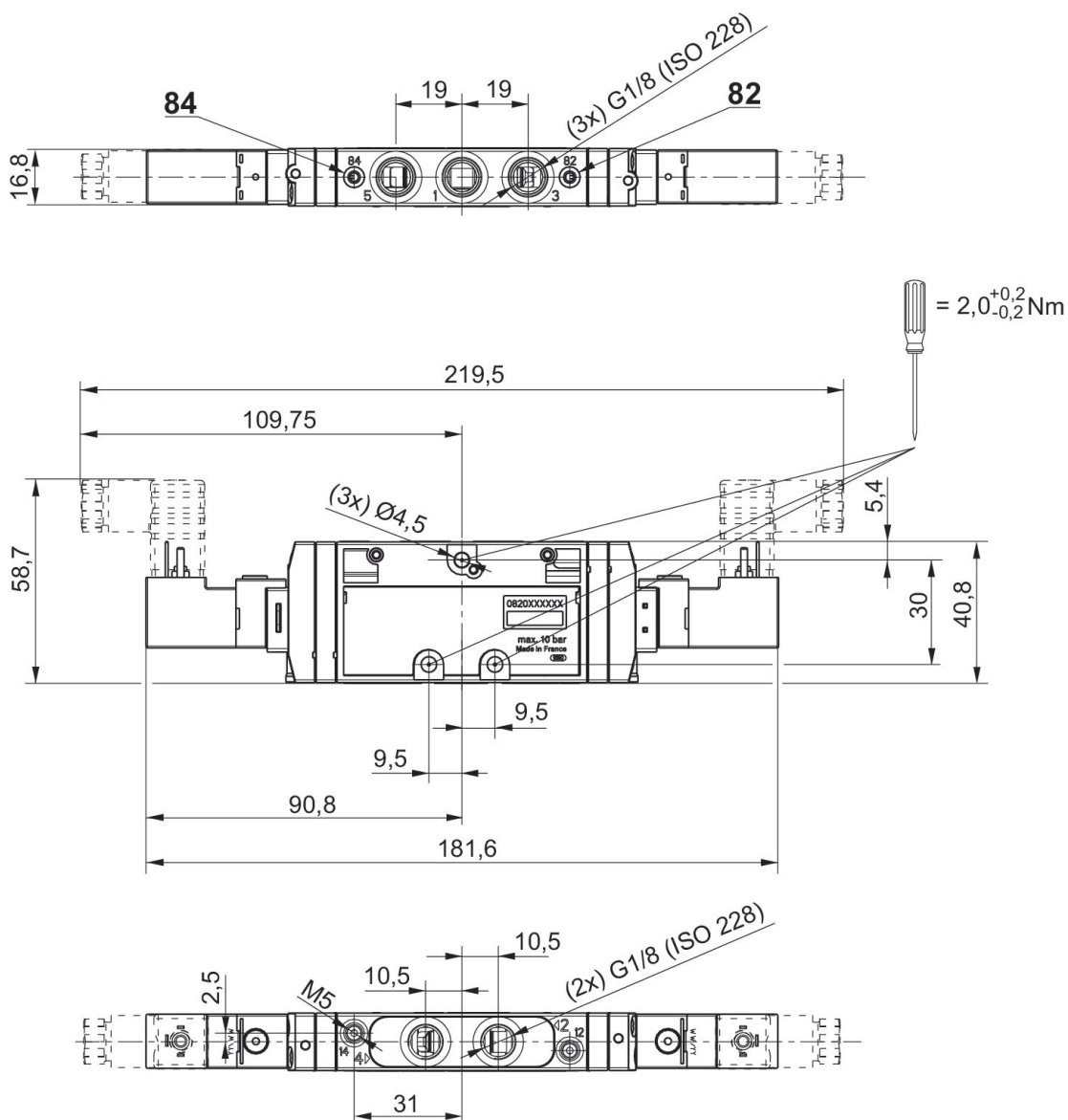
Flow: 600 l/min
 Activation: Electrically
 Manual override: without detent
 Duty cycle: 100 %
 Type: Spool valve, positive overlapping
 Ambient temperature min./max.: -10 °C ... 50 °C
 Medium temperature min./max.: -10 °C ... 50 °C
 Control pressure min./max.: 3 bar ... 10 bar



	Valve function	Switching principle	Operational voltage	Pilot	Power consumption DC [W]	Max. working pressure [bar]	Typ. switch-on time [ms]	Part No.
	NC/NC	2x 3/2 NC/NC, with spring return	24 V DC	Internal	2	10	10	R422102023
	NO/NO	2x 3/2 NO/NO, with spring return	24 V DC	Internal	2	10	10	R422102027
	NC/NO	2x 3/2 NC/NO, with spring return	24 V DC	Internal	2	10	10	R422102031
	NC/NC	2x 3/2 NC/NC, with spring return	24 V DC	External	2	10	10	R422102034
	NO/NO	2x 3/2 NO/NO, with spring return	24 V DC	External	2	10	10	R422102037
	NC/NO	2x 3/2 NC/NO, with spring return	24 V DC	External	2	10	10	R422102040

Typ. switch-off time [ms]	Part No.
14	R422102023
14	R422102027
14	R422102031
14	R422102034
14	R422102037
14	R422102040

Dimensions



5/2-directional valve, Series TC08

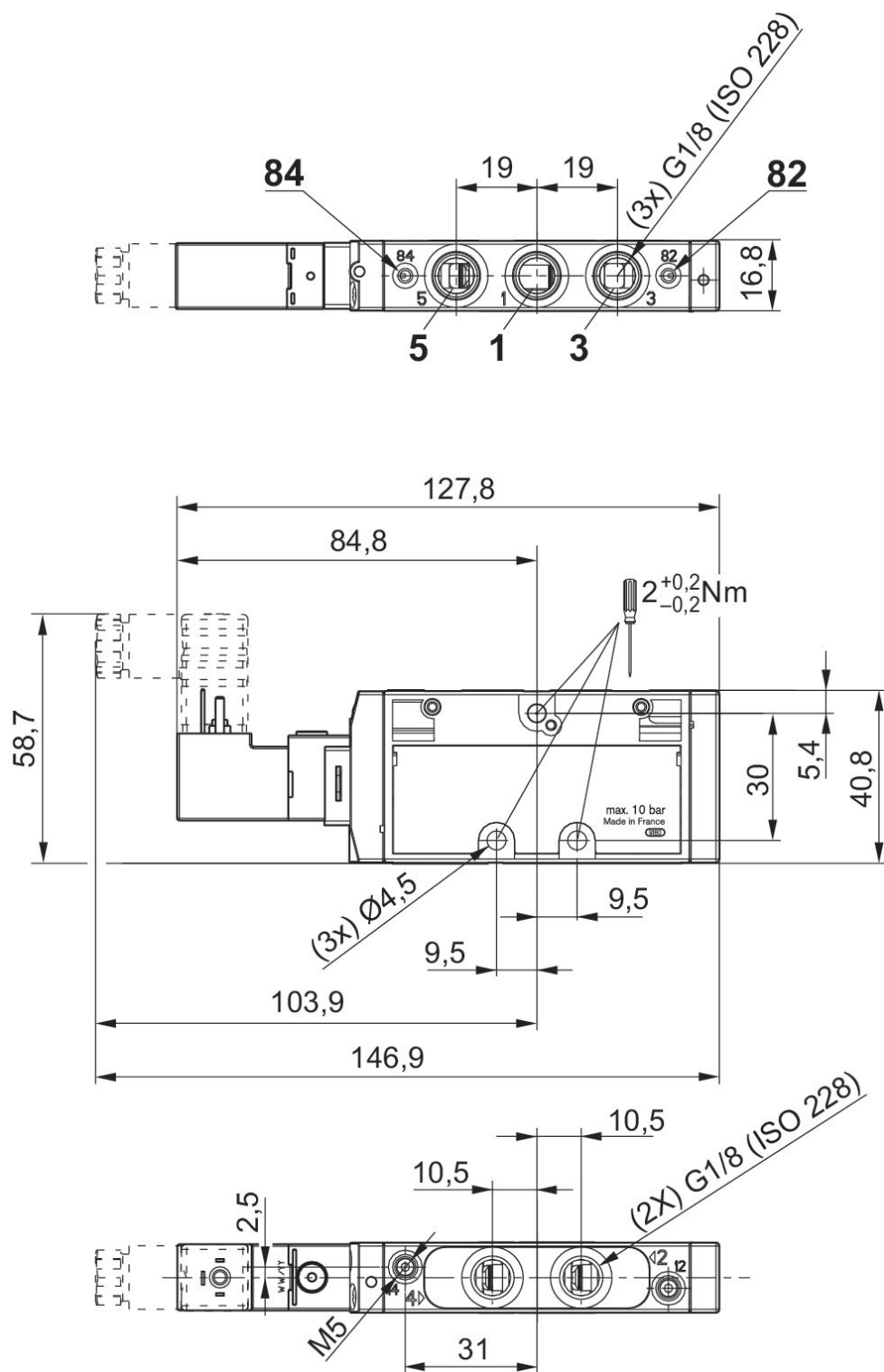
Flow: 800 l/min
 Activation: Electrically
 Manual override: without detent
 Duty cycle: 100 %
 Type: Spool valve, positive overlapping
 Ambient temperature min./max.: -10 °C ... 50 °C
 Medium temperature min./max.: -10 °C ... 50 °C



	Basic valve equipment	Switching principle	Operational voltage	Pilot	Power consumption DC [W]	Max. working pressure [bar]	Typ. switch-on time [ms]	Part No.
		5/2, with air spring return	24 V DC	Internal	2	10	14	0820060101
		5/2, with air spring return	24 V DC	External	2	10	14	0820060151
		5/2, with spring/air spring return	24 V DC	Internal	2	10	14	0820060126
	Basic valve without coil	5/2, with spring/air spring return		Internal		10	14	R422103047
		5/2, with spring/air spring return	24 V DC	External	2	10	14	0820060176
	Basic valve without coil	5/2, with spring/air spring return		External		10	14	R422103049

Typ. switch-off time [ms]	Part No.
18	0820060101
18	0820060151
17	0820060126
17	R422103047
17	0820060176
17	R422103049

Dimensions
Double Solenoid



5/2-directional valve, Series TC08

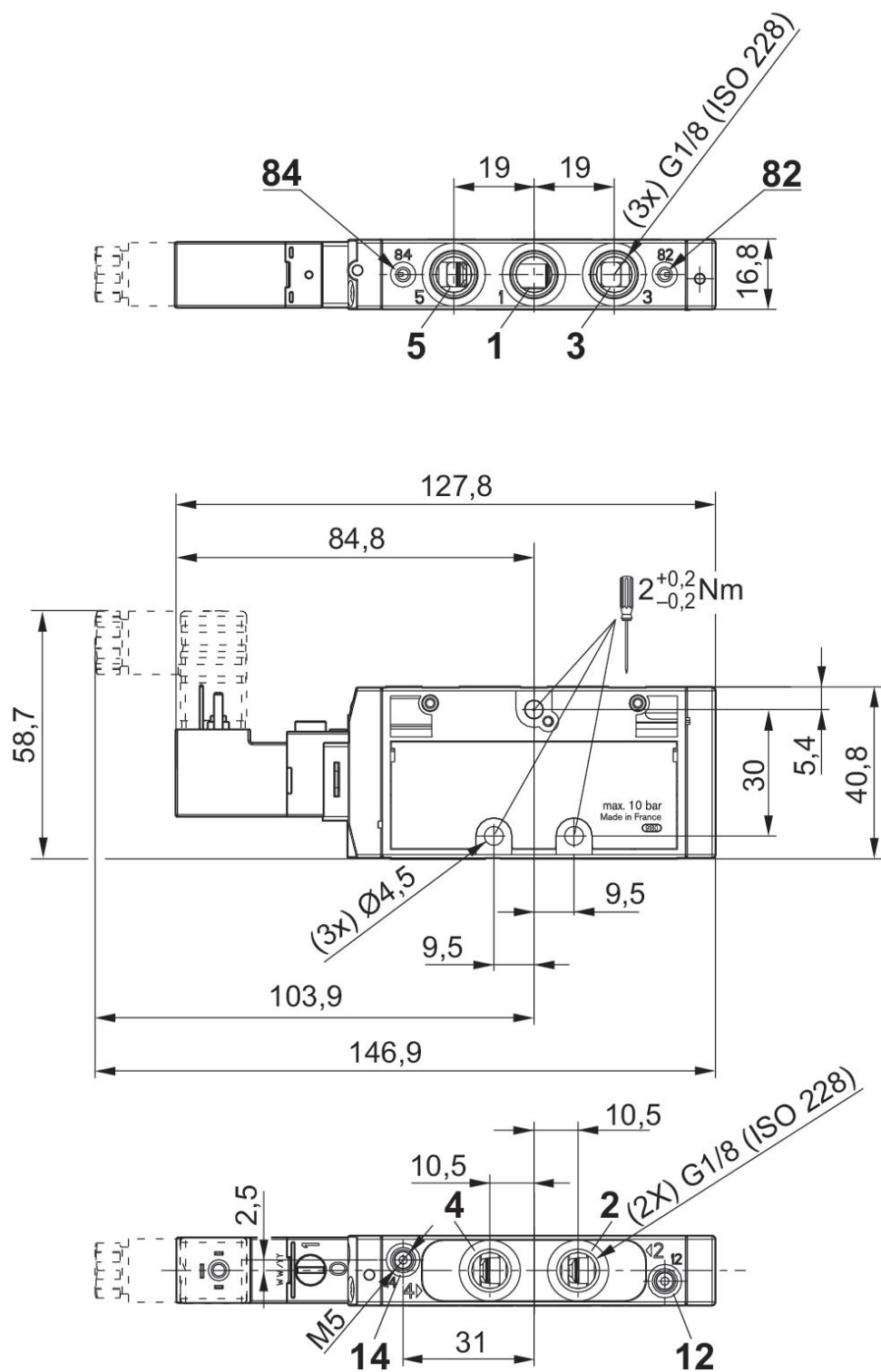
Flow: 800 l/min
 Activation: Electrically
 Manual override: with detent
 Duty cycle: 100 %
 Type: Spool valve, positive overlapping
 Ambient temperature min./max.: -10 °C ... 50 °C
 Medium temperature min./max.: -10 °C ... 50 °C



	Basic valve equipment	Switching principle	Operational voltage	Pilot	Power consumption DC [W]	Max. working pressure [bar]	Typ. switch-on time [ms]	Part No.
		5/2, with air spring return	24 V DC	Internal	2	10	14	0820060001
		5/2, with air spring return	24 V DC	External	2	10	14	0820060051
		5/2, with spring/air spring return	24 V DC	Internal	2	10	14	0820060026
		5/2, with spring/air spring return	24 V DC	External	2	10	14	0820060076
	Basic valve without coil	5/2, with spring/air spring return		Internal		10	14	R422103046
	Basic valve without coil	5/2, with spring/air spring return		External		10	14	R422103048

Typ. switch-off time [ms]	Part No.
18	0820060001
18	0820060051
17	0820060026
17	0820060076
17	R422103046
17	R422103048

Dimensions
Double Solenoid



5/2-directional valve, Series TC08

Flow: 800 l/min
 Activation: Electrically
 Manual override: without detent
 Duty cycle: 100 %
 Type: Spool valve, positive overlapping
 Ambient temperature min./max.: -10 °C ... 50 °C
 Medium temperature min./max.: -10 °C ... 50 °C



	Basic valve equipment	Switching principle	Operational voltage	Pilot	Power consumption DC [W]	Max. working pressure [bar]	Typ. switch-on time [ms]	Part No.
		5/2, double solenoid	24 V DC	Internal	2	10	10	0820060601
	Basic valve without coil	5/2, double solenoid		Internal		10	10	R422103051
		5/2, double solenoid	24 V DC	External	2	10	10	0820060651
	Basic valve without coil	5/2, double solenoid		External		10	10	R422103053

Typ. switch-off time [ms]	Part No.
10	0820060601
10	R422103051
10	0820060651
10	R422103053

5/2-directional valve, Series TC08

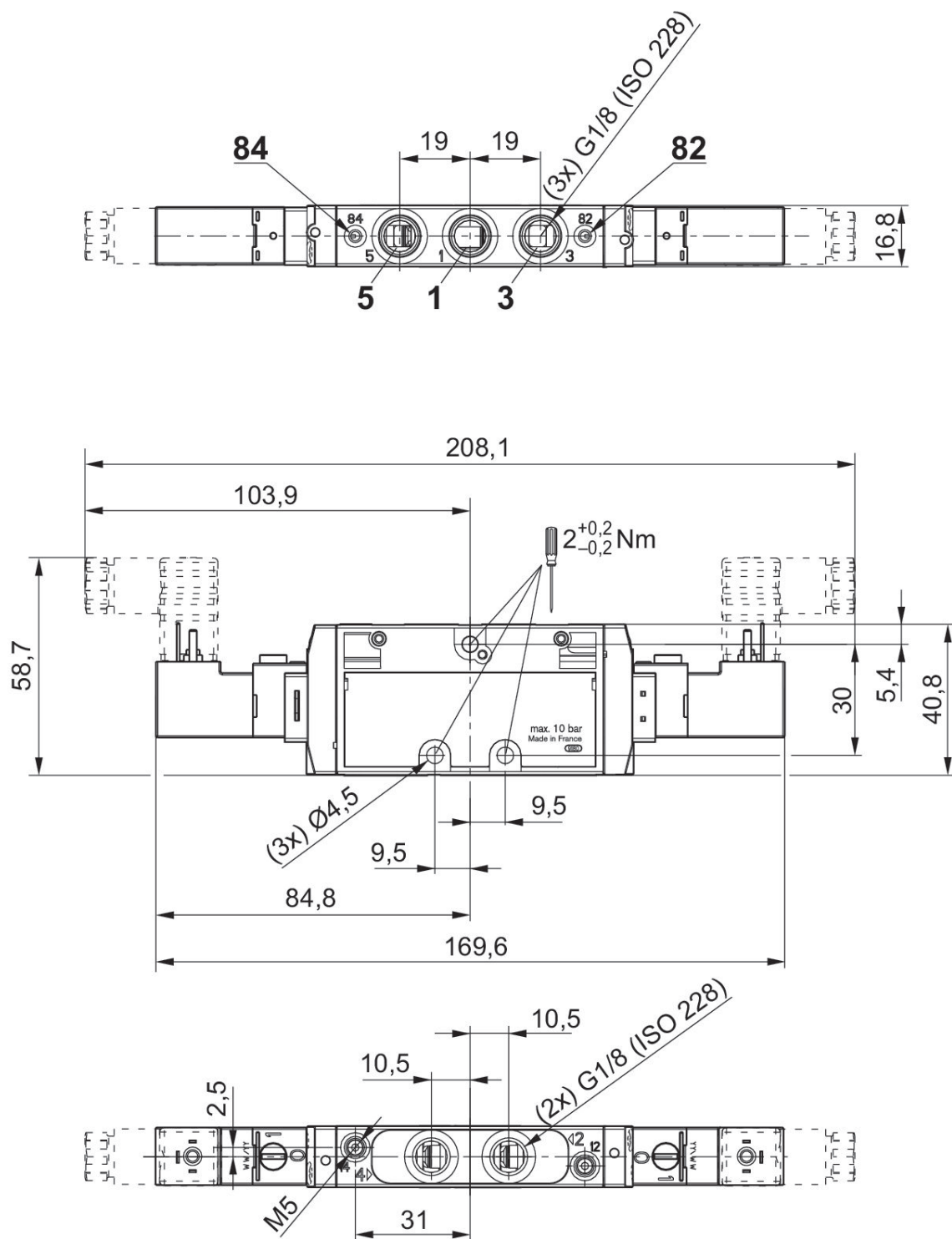
Flow: 800 l/min
 Activation: Electrically
 Manual override: with detent
 Duty cycle: 100 %
 Type: Spool valve, positive overlapping
 Ambient temperature min./max.: -10 °C ... 50 °C
 Medium temperature min./max.: -10 °C ... 50 °C



	Basic valve equipment	Switching principle	Operational voltage	Pilot	Power consumption DC [W]	Max. working pressure [bar]	Typ. switch-on time [ms]	Part No.
		5/2, double solenoid	24 V DC	Internal	2	10	10	0820060501
	Basic valve without coil	5/2, double solenoid		Internal		10	10	R422103050
		5/2, double solenoid	24 V DC	External	2	10	10	0820060551
	Basic valve without coil	5/2, double solenoid		External		10	10	R422103052

Typ. switch-off time [ms]	Part No.
10	0820060501
10	R422103050
10	0820060551
10	R422103052

Dimensions
Double Solenoid



5/3-directional valve, Series TC08

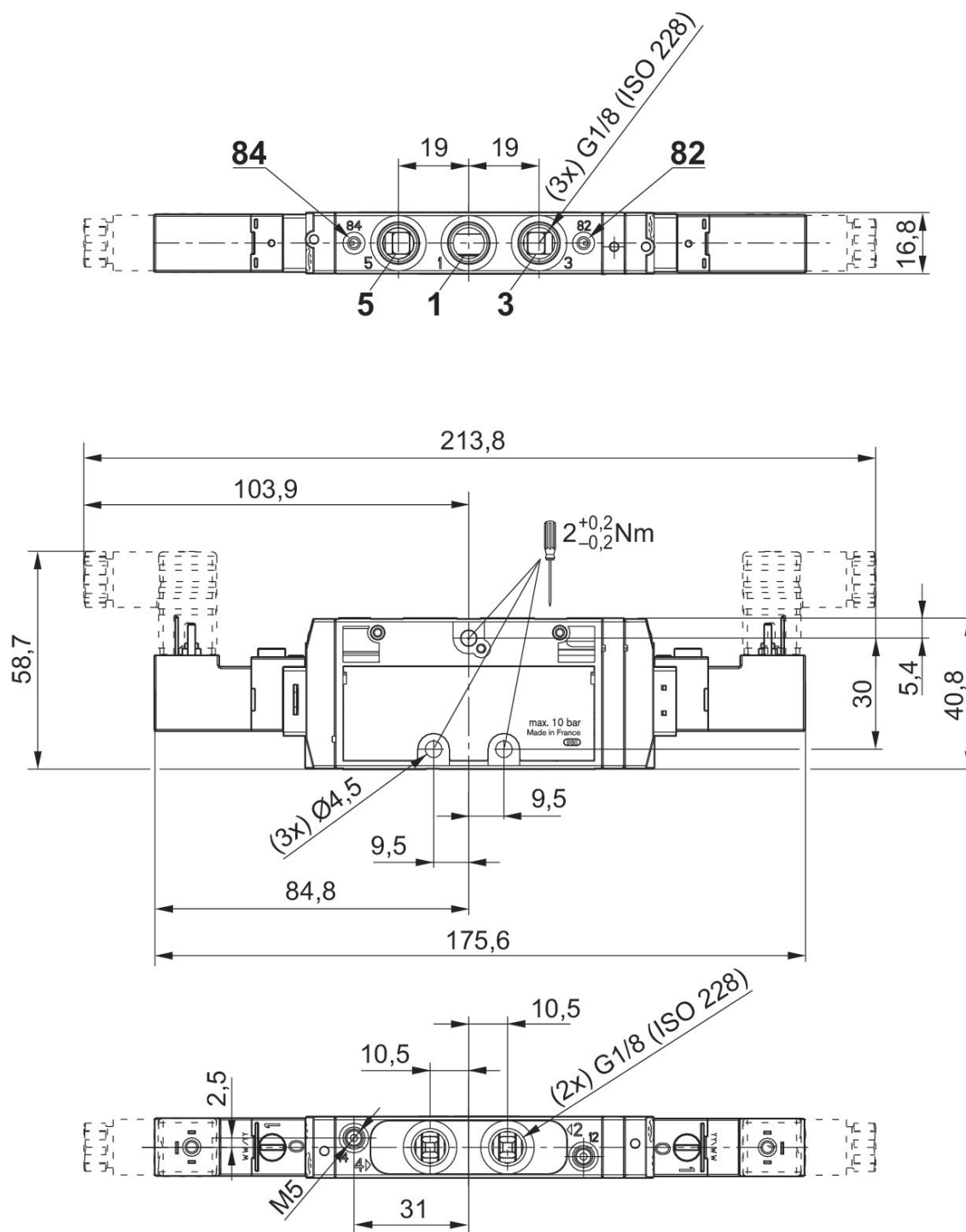
Flow: 700 l/min
 Activation: Electrically
 Manual override: with detent
 Duty cycle: 100 %
 Type: Spool valve, positive overlapping
 Ambient temperature min./max.: -10 °C ... 50 °C
 Medium temperature min./max.: -10 °C ... 50 °C
 Control pressure min./max.: 3 bar ... 10 bar
 Working pressure min./max.: 10 bar



	Basic valve equipment	Switching principle	Operational voltage	Pilot	Power consumption DC [W]	Max. working pressure [bar]	Typ. switch-on time [ms]	Part No.
		5/3, closed center	24 V DC	Internal	2	10	10	0820061001
	Basic valve without coil	5/3, closed center		Internal		10	10	R422103054
		5/3, closed center	24 V DC	External	2	10	10	0820061051
	Basic valve without coil	5/3, closed center		External		10	10	R422103056
		5/3, exhausted center	24 V DC	Internal	2	10	10	0820061011
	Basic valve without coil	5/3, exhausted center		Internal		10	10	R422103058
		5/3, exhausted center	24 V DC	External	2	10	10	0820061061
		5/3, pressurized center	24 V DC	Internal	2	10	10	0820061021
		5/3, pressurized center	24 V DC	External	2	10	10	0820061071

Typ. switch-off time [ms]	Part No.
11	0820061001
11	R422103054
11	0820061051
11	R422103056
11	0820061011
11	R422103058
11	0820061061
11	0820061021
11	0820061071

Dimensions



5/3-directional valve, Series TC08

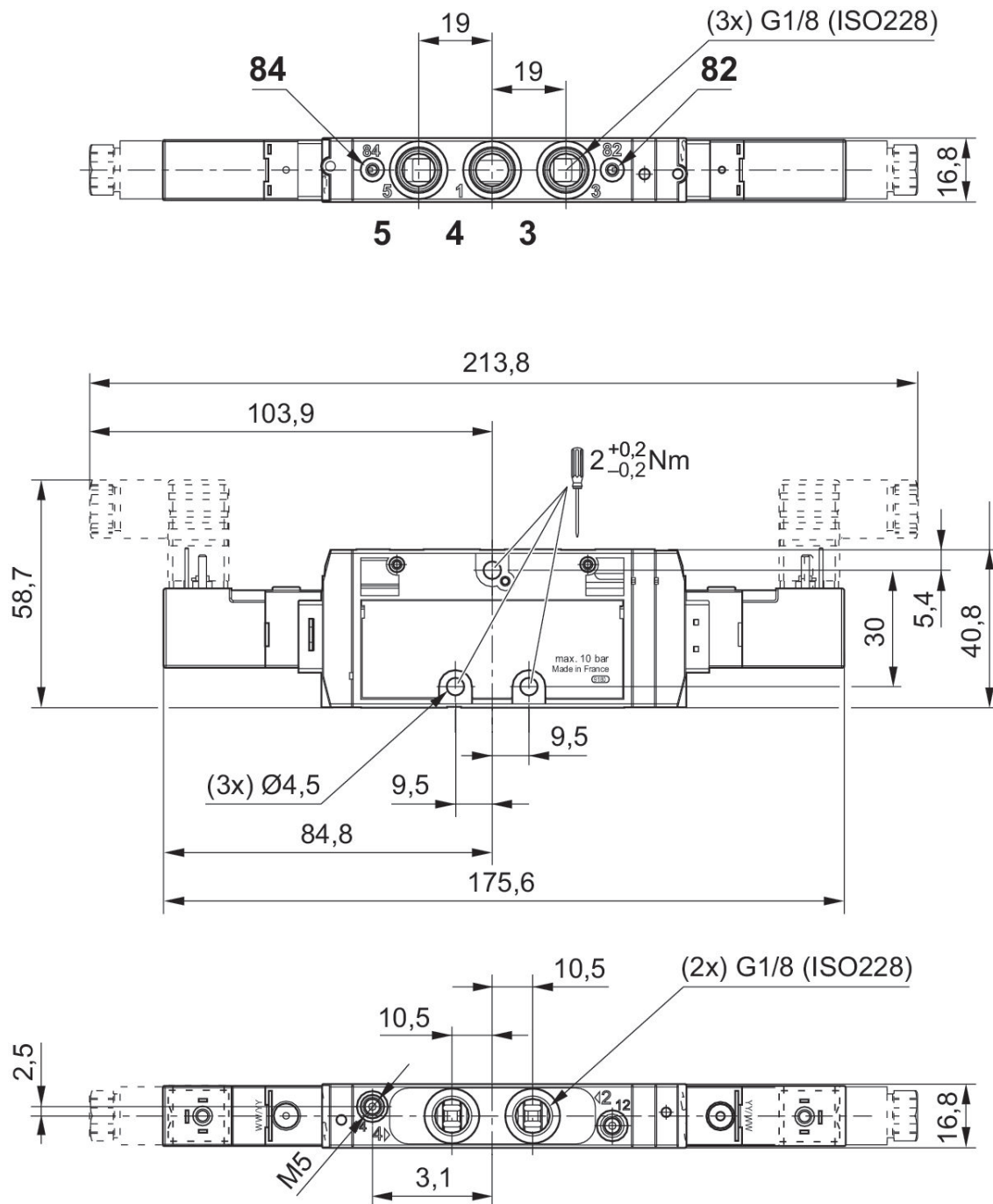
Flow: 700 l/min
 Activation: Electrically
 Manual override: without detent
 Duty cycle: 100 %
 Type: Spool valve, positive overlapping
 Ambient temperature min./max.: -10 °C ... 50 °C
 Medium temperature min./max.: -10 °C ... 50 °C
 Control pressure min./max.: 3 bar ... 10 bar
 Working pressure min./max.: 10 bar



	Basic valve equipment	Switching principle	Operational voltage	Pilot	Power consumption DC [W]	Max. working pressure [bar]	Typ. switch-on time [ms]	Part No.
		5/3, closed center	24 V DC	Internal	2	10	10	0820061101
	Basic valve without coil	5/3, closed center		Internal		10	10	R422103055
		5/3, closed center	24 V DC	External	2	10	10	0820061151
	Basic valve without coil	5/3, closed center		External		10	10	R422103057
		5/3, exhausted center	24 V DC	Internal	2	10	10	0820061111
	Basic valve without coil	5/3, exhausted center		Internal		10	10	R422103059
		5/3, exhausted center	24 V DC	External	2	10	10	0820061161
		5/3, pressurized center	24 V DC	Internal	2	10	10	0820061121
		5/3, pressurized center	24 V DC	External	2	10	10	0820061171

Typ. switch-off time [ms]	Part No.
11	0820061101
11	R422103055
11	0820061151
11	R422103057
11	0820061111
11	R422103059
11	0820061161
11	0820061121
11	0820061171

Dimensions



2x3/2-directional valve, Series TC08

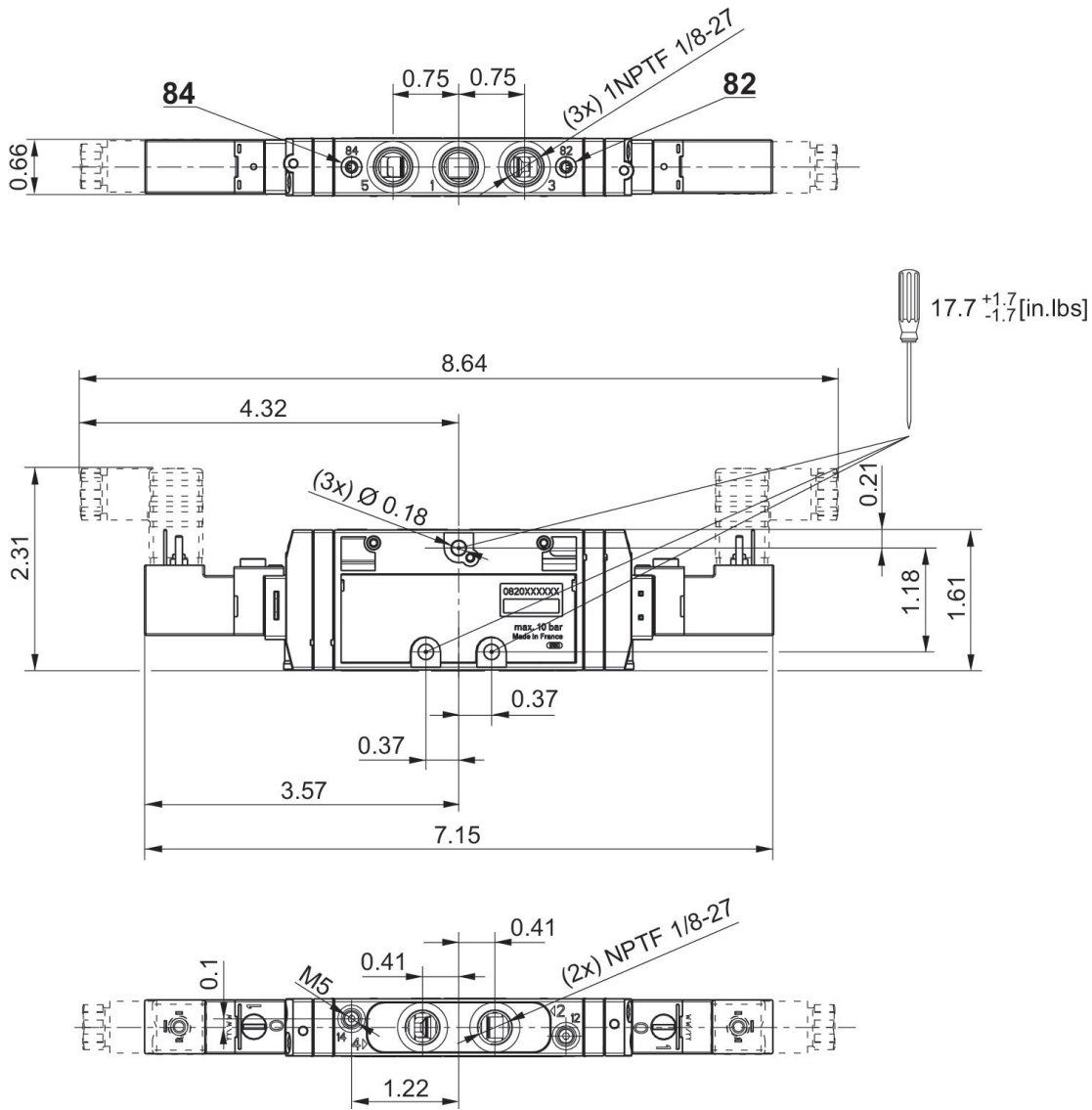
Flow: 600 l/min
 Activation: Electrically
 Manual override: with detent
 Duty cycle: 100 %
 Type: Spool valve, negative overlapping
 Ambient temperature min./max.: -10 °C ... 50 °C
 Medium temperature min./max.: -10 °C ... 50 °C
 Control pressure min./max.: 2.5 bar ... 10 bar



	Valve function	Switching principle	Operational voltage	Pilot	Power consumption DC [W]	Max. working pressure [bar]	Typ. switch-on time [ms]	Part No.
	NC/NC	2x 3/2 NC/NC, with spring return	24 V DC	Internal	2	10	10	R422102101
	NO/NO	2x 3/2 NO/NO, with spring return	24 V DC	Internal	2	10	10	R422102105
	NC/NO	2x 3/2 NC/NO, with spring return	24 V DC	Internal	2	10	10	R422102109
	NC/NC	2x 3/2 NC/NC, with spring return	24 V DC	External	2	10	10	R422102113
	NO/NO	2x 3/2 NO/NO, with spring return	24 V DC	External	2	10	10	R422102117
	NC/NO	2x 3/2 NC/NO, with spring return	24 V DC	External	2	10	10	R422102121

Typ. switch-off time [ms]	Part No.
14	R422102101
14	R422102105
14	R422102109
14	R422102113
14	R422102117
14	R422102121

Dimensions in inches

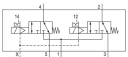

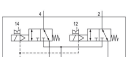

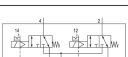


2x3/2-directional valve, Series TC08

Flow: 600 l/min
 Activation: Electrically
 Manual override: with detent
 Duty cycle: 100 %
 Type: Spool valve, negative overlapping
 Ambient temperature min./max.: -10 °C ... 50 °C
 Medium temperature min./max.: -10 °C ... 50 °C
 Control pressure min./max.: 2.5 bar ... 10 bar
 Working pressure min./max.: 3 bar ... 10 bar

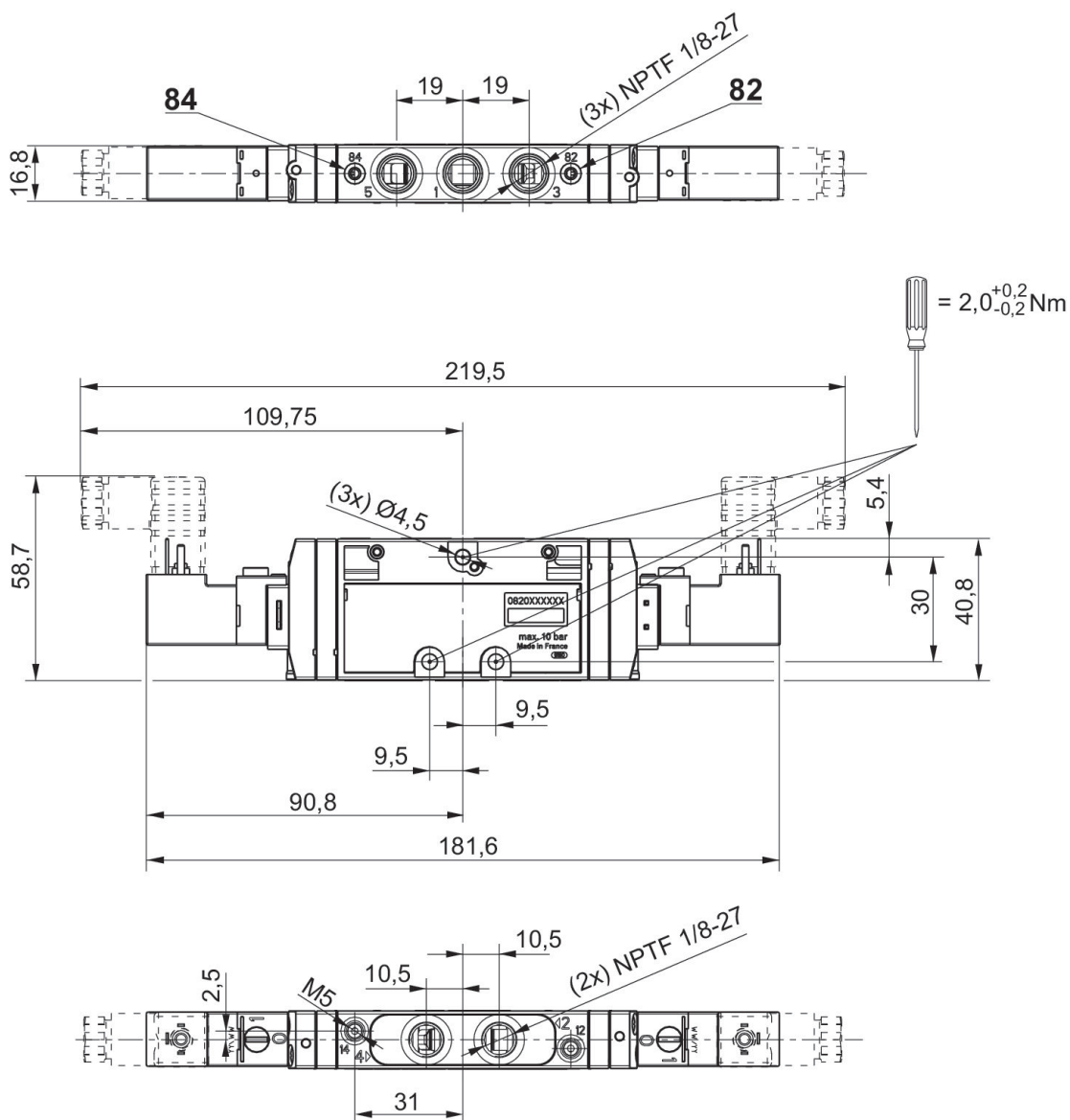


	Valve function	Switching principle	Operational voltage	Pilot	Power consumption DC [W]	Operational voltage AC at 50 Hz	Max. working pressure [bar]	Part No.
	NC/NC	2x 3/2 NC/NC, with spring return	12 V DC	Internal	2		10	R422102100
	NC/NC	2x 3/2 NC/NC, with spring return	110 V AC	Internal		110 V	10	R422102102
	NC/NC	2x 3/2 NC/NC, with spring return	230 V AC	Internal		230 V	10	R422102103
	NO/NO	2x 3/2 NO/NO, with spring return	12 V DC	Internal	2		10	R422102104
	NO/NO	2x 3/2 NO/NO, with spring return	110 V AC	Internal		110 V	10	R422102106
	NO/NO	2x 3/2 NO/NO, with spring return	230 V AC	Internal		230 V	10	R422102107
	NC/NO	2x 3/2 NC/NO, with spring return	12 V DC	Internal	2		10	R422102108
	NC/NO	2x 3/2 NC/NO, with spring return	110 V AC	Internal		110 V	10	R422102110
	NC/NO	2x 3/2 NC/NO, with spring return	230 V AC	Internal		230 V	10	R422102111
	NC/NC	2x 3/2 NC/NC, with spring return	12 V DC	External	2		10	R422102112
	NC/NC	2x 3/2 NC/NC, with spring return	110 V AC	External		110 V	10	R422102114
	NC/NC	2x 3/2 NC/NC, with spring return	230 V AC	External		230 V	10	R422102115
	NO/NO	2x 3/2 NO/NO, with spring return	12 V DC	External	2		10	R422102116

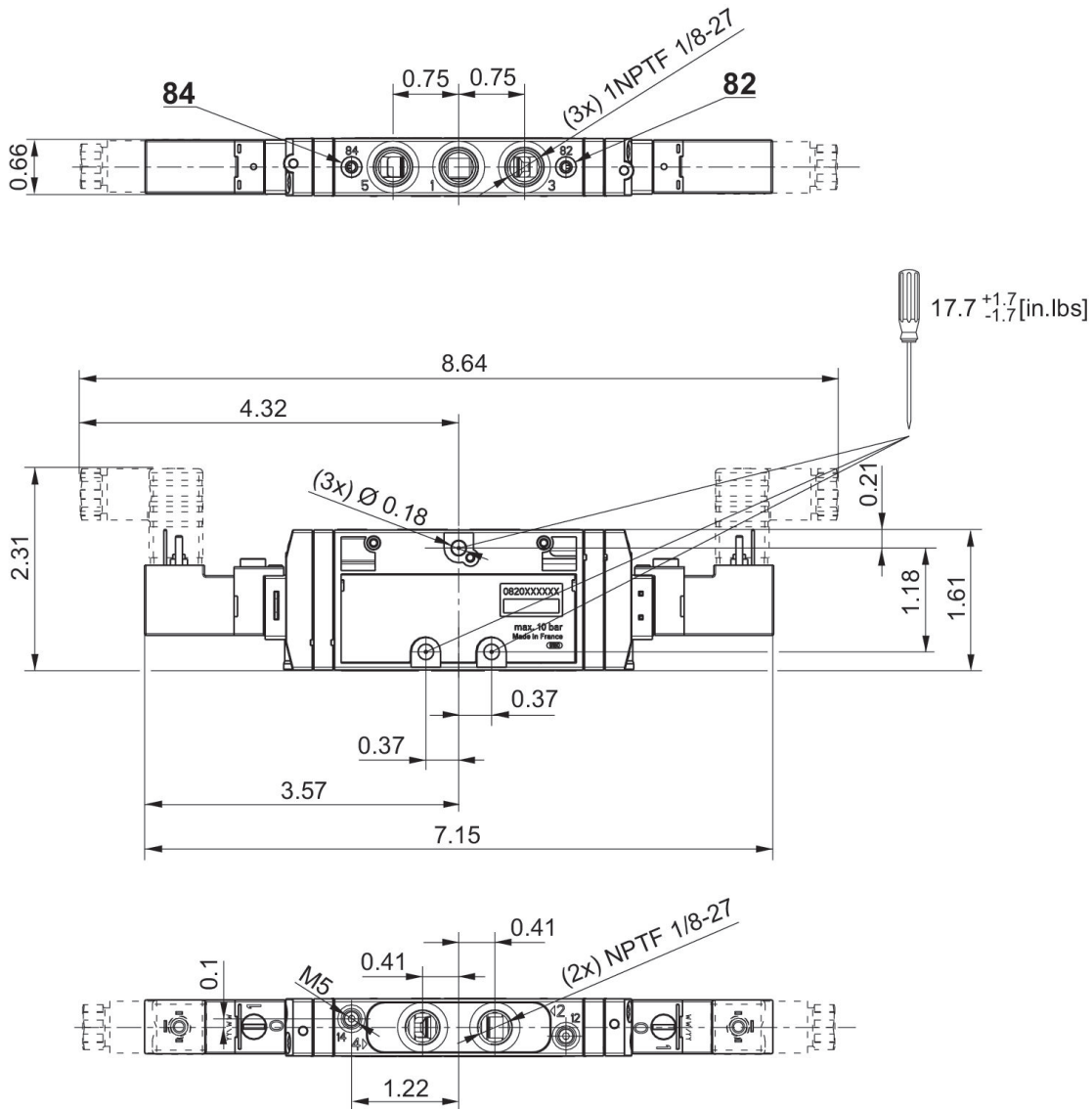
	Valve function	Switching principle	Operational voltage	Pilot	Power consumption DC [W]	Operational voltage AC at 50 Hz	Max. working pressure [bar]	Part No.
	NO/NO	2x 3/2 NO/NO, with spring return	110 V AC	External		110 V	10	R422102118
	NO/NO	2x 3/2 NO/NO, with spring return	230 V AC	External		230 V	10	R422102119
	NC/NO	2x 3/2 NC/NO, with spring return	12 V DC	External	2		10	R422102120
	NC/NO	2x 3/2 NC/NO, with spring return	110 V AC	External		110 V	10	R422102122
	NC/NO	2x 3/2 NC/NO, with spring return	230 V AC	External		230 V	10	R422102123

Typ. switch-on time [ms]	Typ. switch-off time [ms]	Part No.
10	14	R422102100
10	14	R422102102
10	14	R422102103
10	14	R422102104
10	14	R422102106
10	14	R422102107
10	14	R422102108
10	14	R422102110
10	14	R422102111
10	14	R422102112
10	14	R422102114
10	14	R422102115
10	14	R422102116
10	14	R422102118
10	14	R422102119
10	14	R422102120
10	14	R422102122
10	14	R422102123

Dimensions in mm



Dimensions in inches



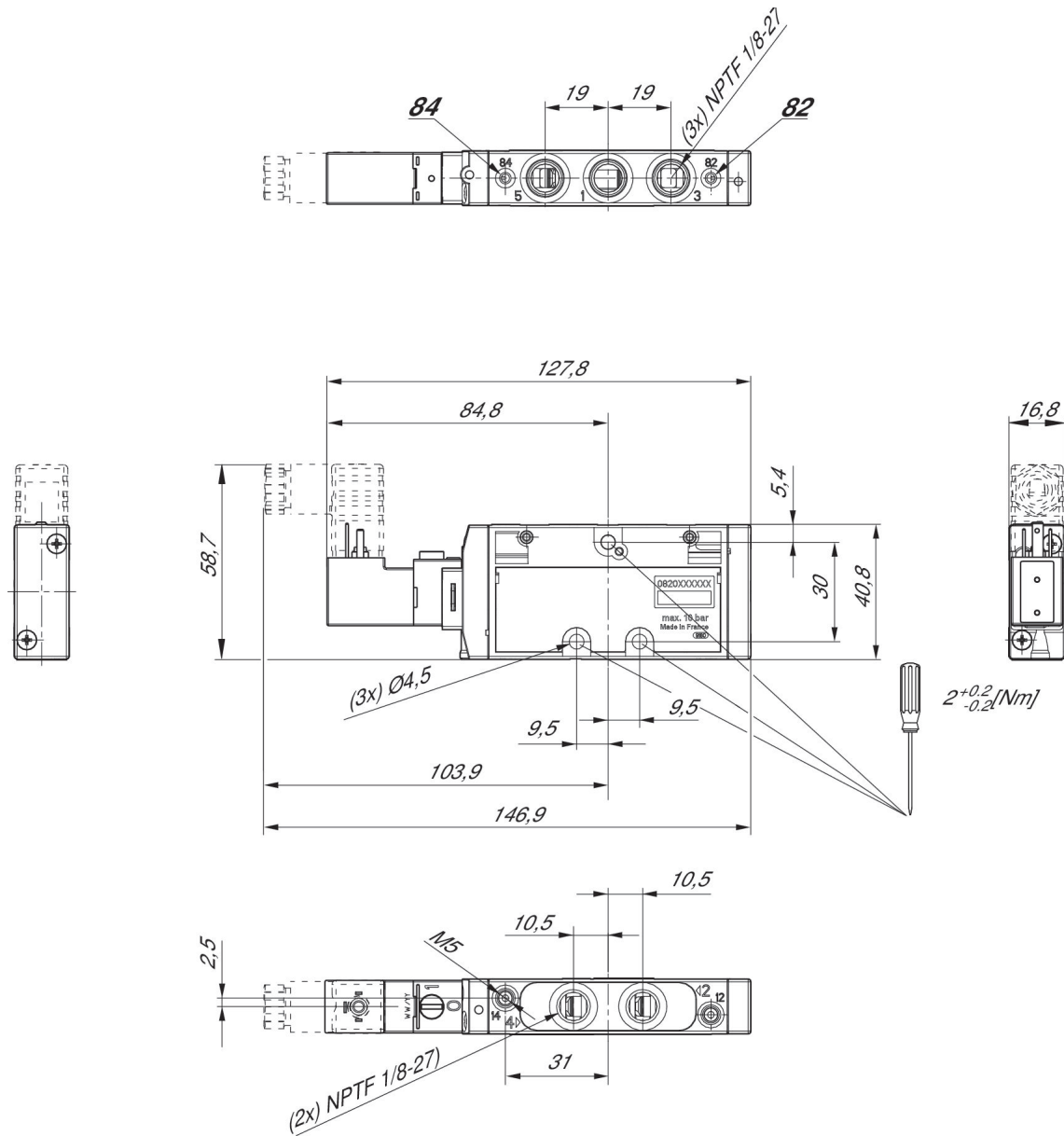
5/2-directional valve, Series TC08

Flow: 800 l/min
 Activation: Electrically
 Manual override: with detent
 Duty cycle: 100 %
 Type: Spool valve, negative overlapping
 Ambient temperature min./max.: -10 °C ... 50 °C
 Medium temperature min./max.: -10 °C ... 50 °C

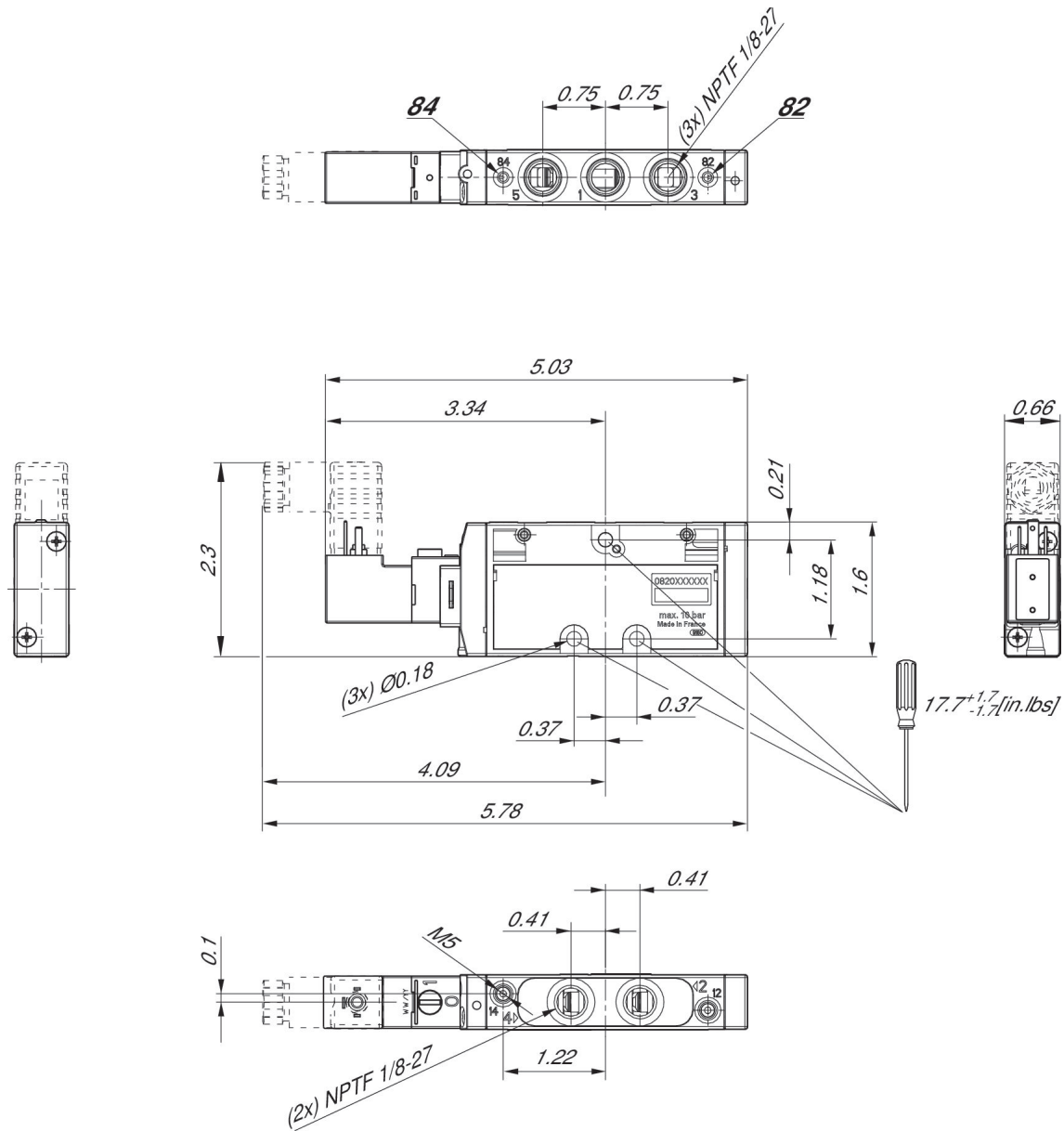


	Switching principle	Operational voltage	Pilot	Power consumption DC [W]	Max. working pressure [bar]	Typ. switch-on time [ms]	Typ. switch-off time [ms]	Part No.
	5/2, with air spring return	24 V DC	Internal	2	10	14	18	R422101201
	5/2, with air spring return	24 V DC	External	2	10	14	18	R422101205
	5/2, with spring/air spring return	24 V DC	Internal	2	10	14	17	R422101209
	5/2, with spring/air spring return	24 V DC	External	2	10	14	17	R422101213

Dimensions in mm
Double Solenoid



Dimensions in inches
Double Solenoid



5/2-directional valve, Series TC08

Flow: 800 l/min
 Activation: Electrically
 Manual override: with detent
 Duty cycle: 100 %
 Type: Spool valve, negative overlapping
 Ambient temperature min./max.: -10 °C ... 50 °C
 Medium temperature min./max.: -10 °C ... 50 °C

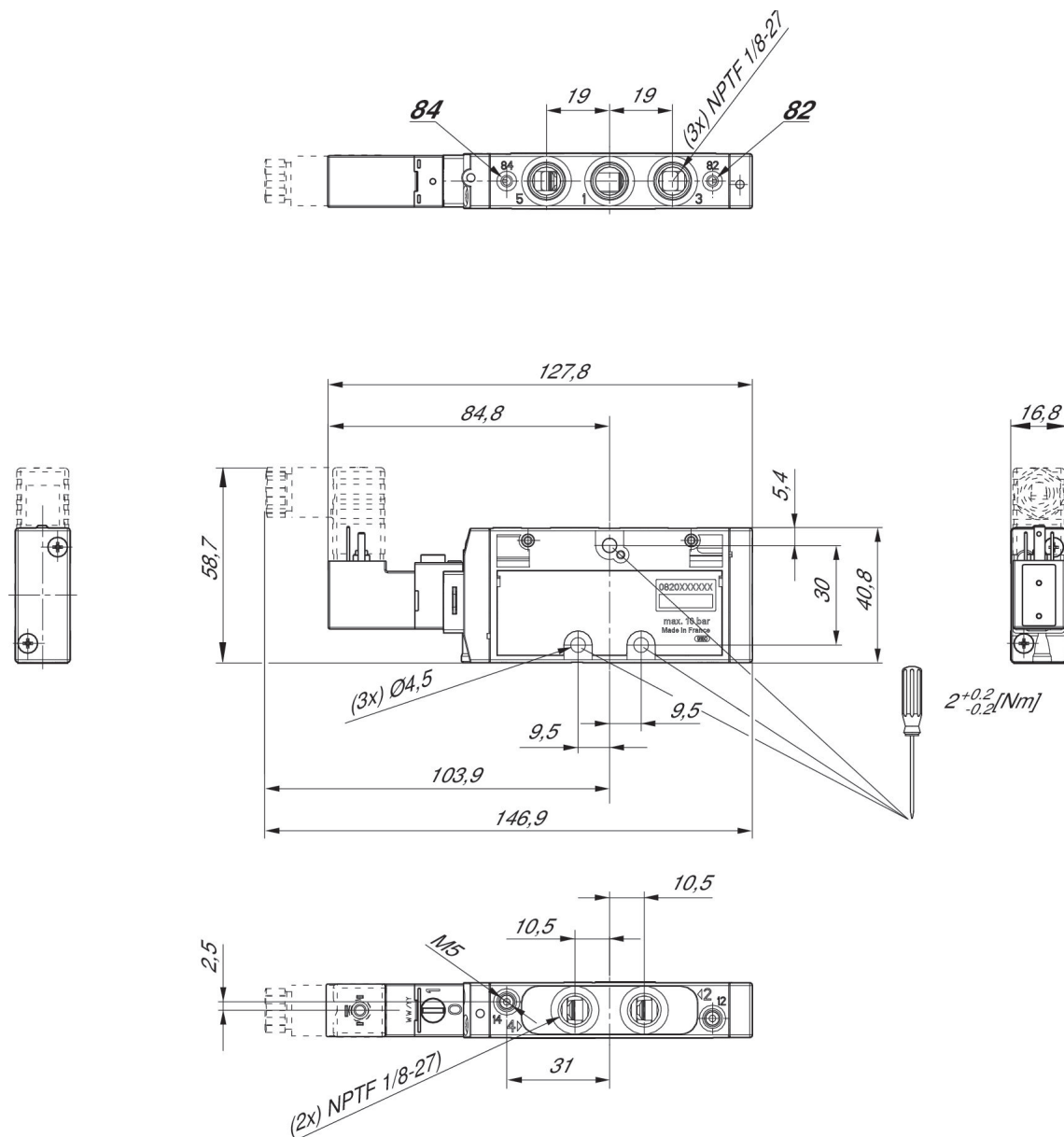


	Switching principle	Operational voltage	Pilot	Power consumption DC [W]	Operational voltage AC at 50 Hz	Operational voltage AC at 60 Hz	Max. working pressure [bar]	Part No.
	5/2, with air spring return	12 V DC	Internal	2			10	R422101200
	5/2, with air spring return	110 V AC	Internal		110 V	230 V	10	R422101202
	5/2, with air spring return	230 V AC	Internal		110 V	230 V	10	R422101203
	5/2, with air spring return	12 V DC	External	2			10	R422101204
	5/2, with air spring return	110 V AC	External		110 V	230 V	10	R422101206
	5/2, with air spring return	230 V AC	External		110 V	230 V	10	R422101207
	5/2, with spring/air spring return	12 V DC	Internal	2			10	R422101208
	5/2, with spring/air spring return	110 V AC	Internal		110 V	230 V	10	R422101210
	5/2, with spring/air spring return	230 V AC	Internal		110 V	230 V	10	R422101211
	5/2, with spring/air spring return	12 V DC	External	2			10	R422101212
	5/2, with spring/air spring return	110 V AC	External		110 V	230 V	10	R422101214
	5/2, with spring/air spring return	230 V AC	External		110 V	230 V	10	R422101215

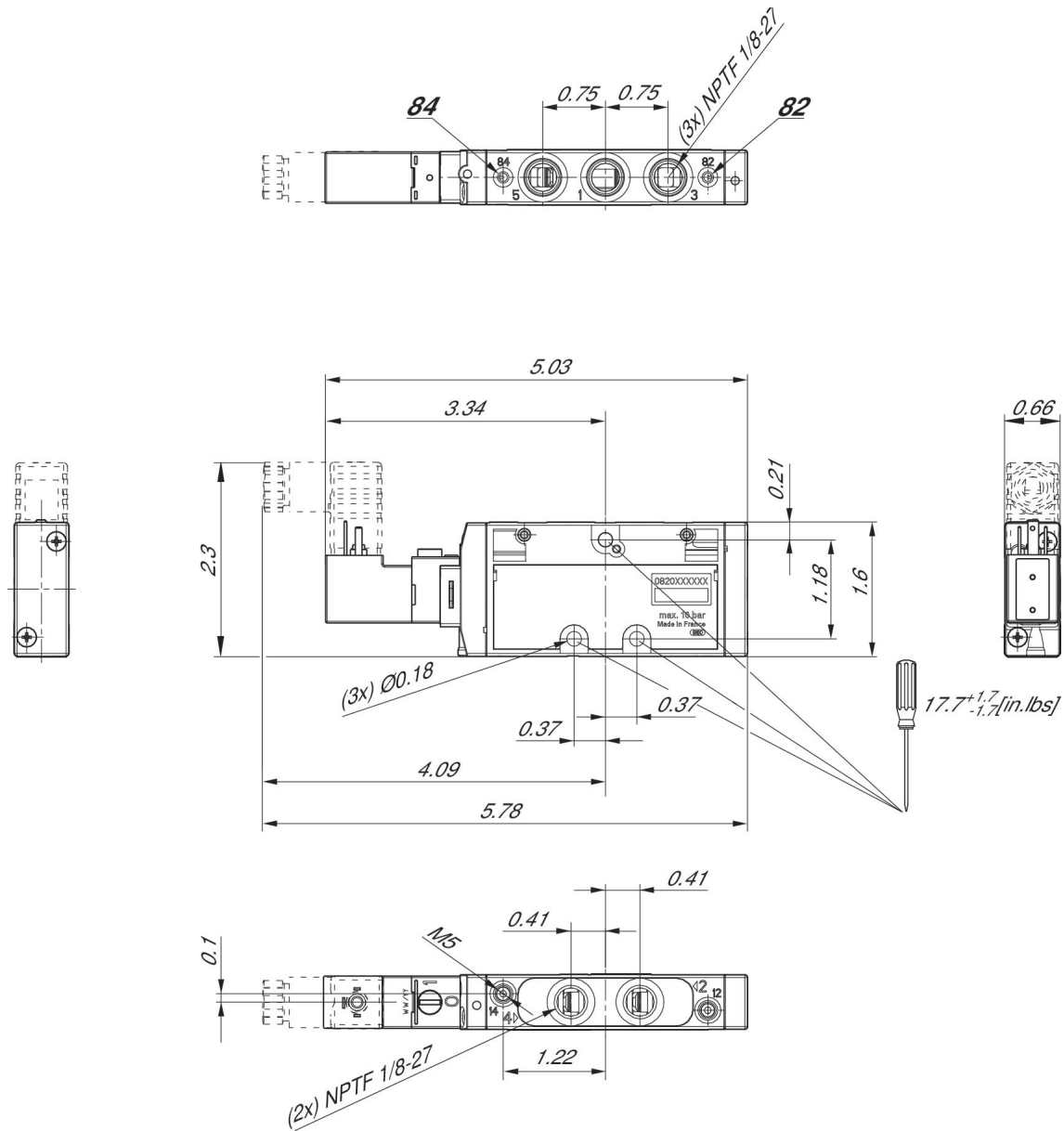
Typ. switch-on time [ms]	Typ. switch-off time [ms]	Part No.
14	17	R422101200
14	17	R422101202

Typ. switch-on time [ms]	Typ. switch-off time [ms]	Part No.
14	17	R422101203
14	17	R422101204
14	17	R422101206
14	17	R422101207
14	17	R422101208
14	17	R422101210
14	17	R422101211
14	17	R422101212
14	17	R422101214
14	17	R422101215

Dimensions in mm
Double Solenoid



Dimensions in inches
Double Solenoid



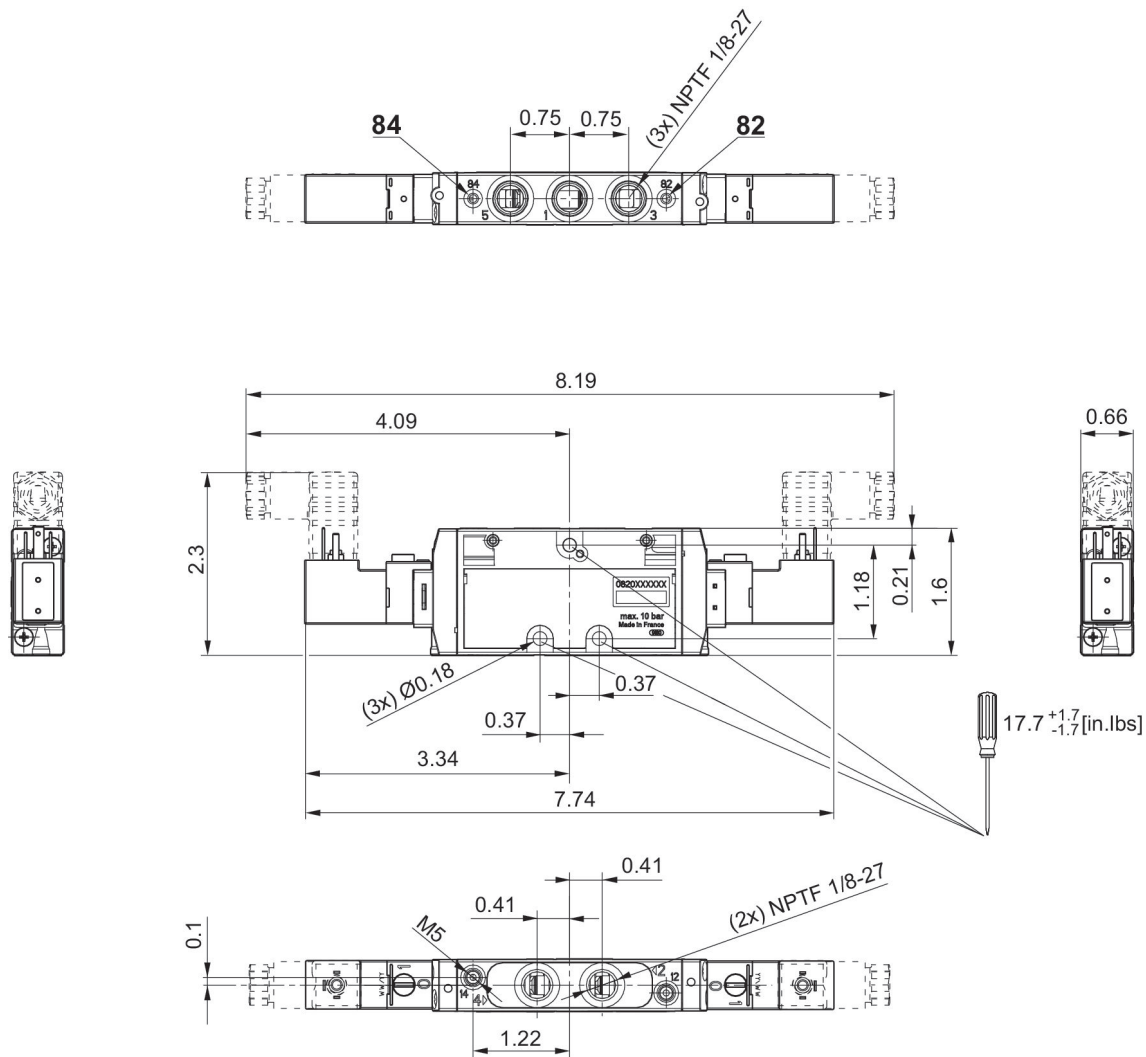
5/2-directional valve, Series TC08

Flow: 800 l/min
 Activation: Electrically
 Manual override: with detent
 Duty cycle: 100 %
 Type: Spool valve, negative overlapping
 Ambient temperature min./max.: -10 °C ... 50 °C
 Medium temperature min./max.: -10 °C ... 50 °C



	Switching principle	Operational voltage	Pilot	Power consumption DC [W]	Max. working pressure [bar]	Typ. switch-on time [ms]	Typ. switch-off time [ms]	Part No.
	5/2, with air spring return	24 V DC	Internal	2	10	10	10	R422101217
	5/2, with air spring return	24 V DC	External	2	10	10	10	R422101221

Dimensions in inches
Double Solenoid



5/2-directional valve, Series TC08

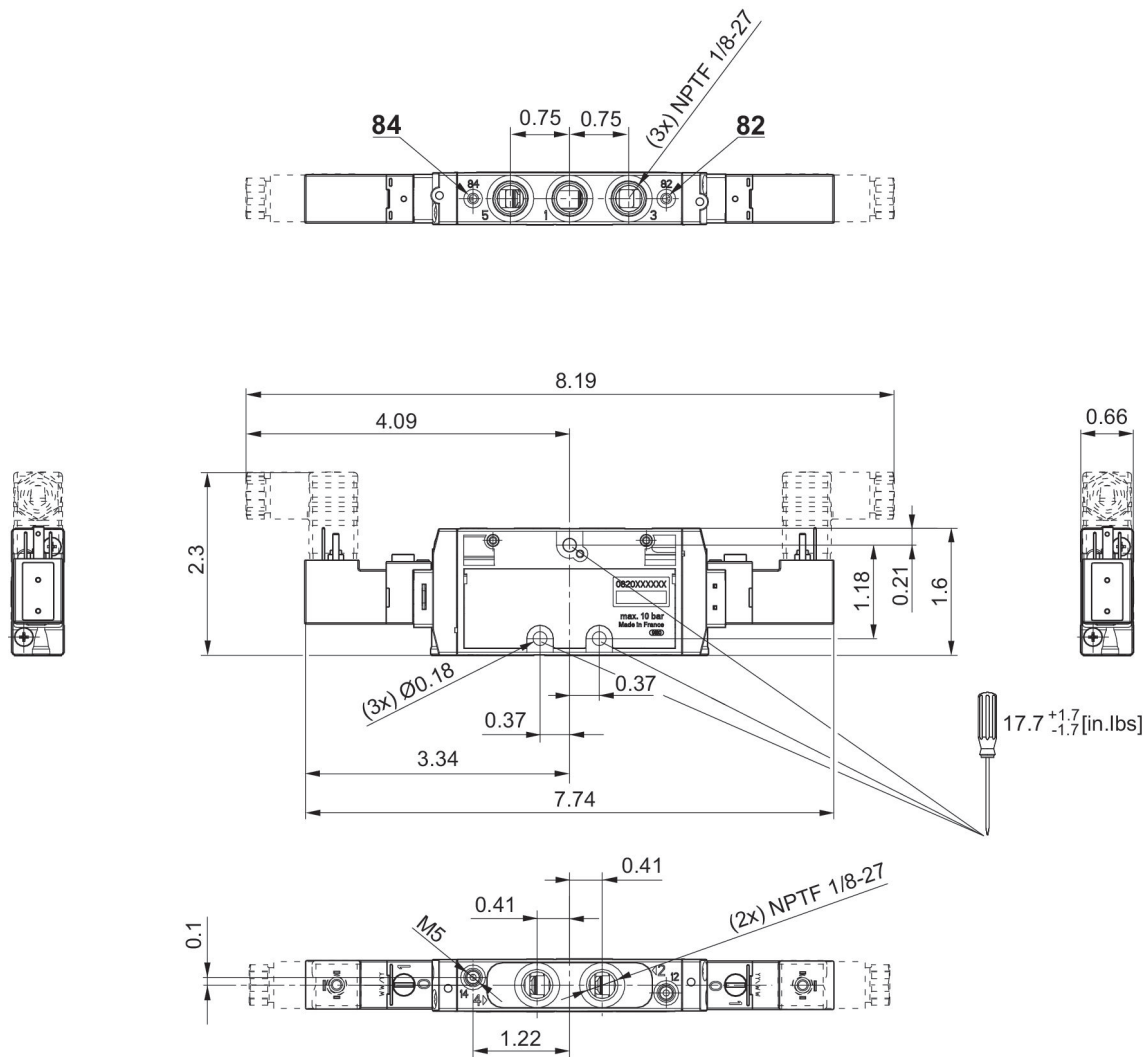
Flow: 800 l/min
 Activation: Electrically
 Manual override: without detent
 Duty cycle: 100 %
 Type: Spool valve, negative overlapping
 Ambient temperature min./max.: -10 °C ... 50 °C
 Medium temperature min./max.: -10 °C ... 50 °C



	Switching principle	Operational voltage	Pilot	Power consumption DC [W]	Operational voltage AC at 50 Hz	Operational voltage AC at 60 Hz	Max. working pressure [bar]	Part No.
	5/2, with air spring return	12 V DC	Internal	2			10	R422101216
	5/2, with air spring return	110 V AC	Internal		110 V	230 V	10	R422101218
	5/2, with air spring return	230 V AC	Internal		230 V	230 V	10	R422101219
	5/2, with air spring return	12 V DC	External	2			10	R422101220
	5/2, with air spring return	110 V AC	External		110 V	230 V	10	R422101222
	5/2, with air spring return	230 V AC	External		230 V	230 V	10	R422101223

Typ. switch-on time [ms]	Typ. switch-off time [ms]	Part No.
10	10	R422101216
10	10	R422101218
10	10	R422101219
10	10	R422101220
10	10	R422101222
10	10	R422101223

Dimensions in inches
Double Solenoid



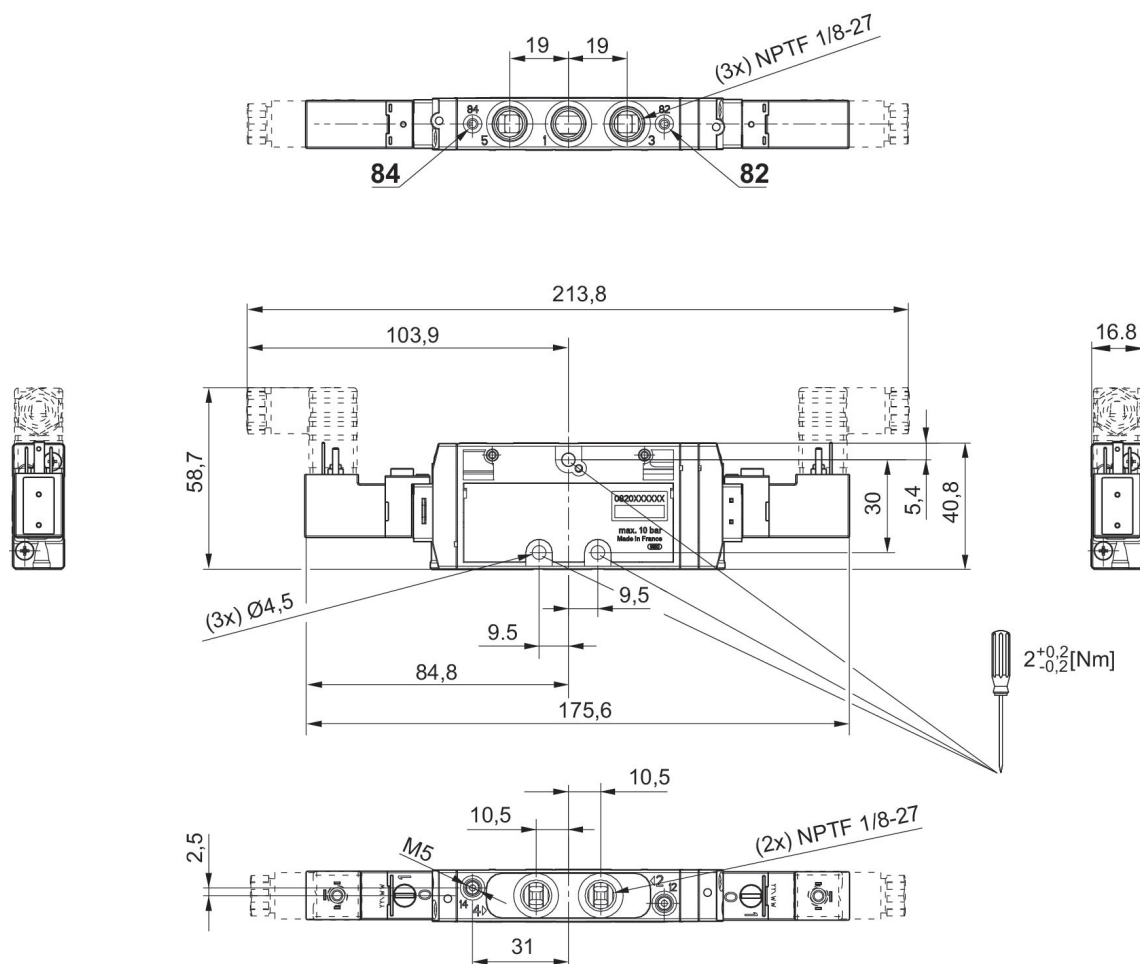
5/3-directional valve, Series TC08

Flow: 600 l/min
 Activation: Electrically
 Manual override: with detent
 Duty cycle: 100 %
 Type: Spool valve, positive overlapping
 Ambient temperature min./max.: -10 °C ... 50 °C
 Medium temperature min./max.: -10 °C ... 50 °C
 Control pressure min./max.: 2.5 bar ... 10 bar
 Working pressure min./max.: -0.9 bar ... 10 bar



	Switching principle	Operational voltage	Pilot	Power consumption DC [W]	Max. working pressure [bar]	Typ. switch-on time [ms]	Typ. switch-off time [ms]	Part No.
	5/3, closed center	24 V DC	External	2	10	10	11	R422101165
	5/3, exhausted center	24 V DC	External	2	10	10	11	R422101169
	5/3, pressurized center	24 V DC	External	2	10	10	11	R422101173

Dimensions in mm



5/3-directional valve, Series TC08

Flow: 700 l/min

Activation: Electrically

Duty cycle: 100 %

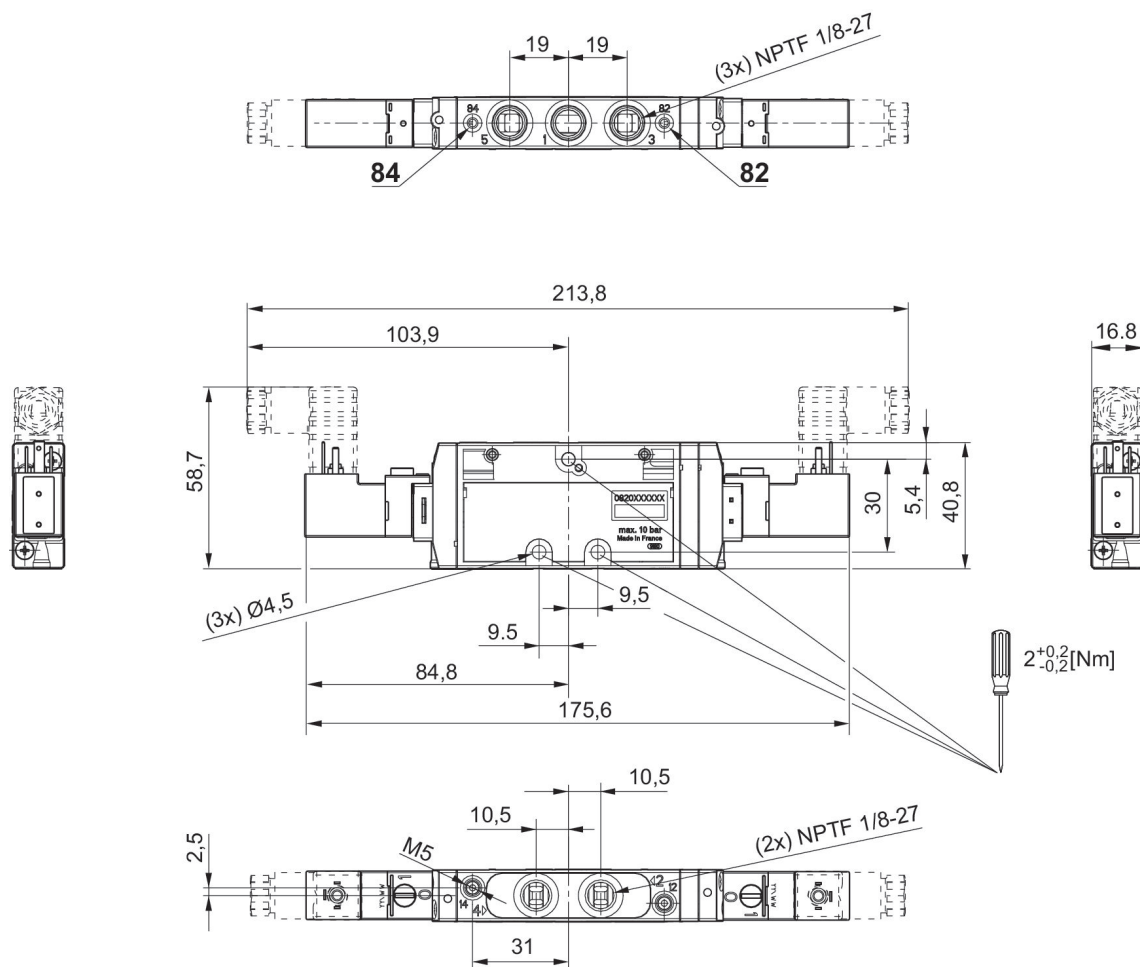
Ambient temperature min./max.: -10 °C ... 50 °C

Medium temperature min./max.: -10 °C ... 50 °C

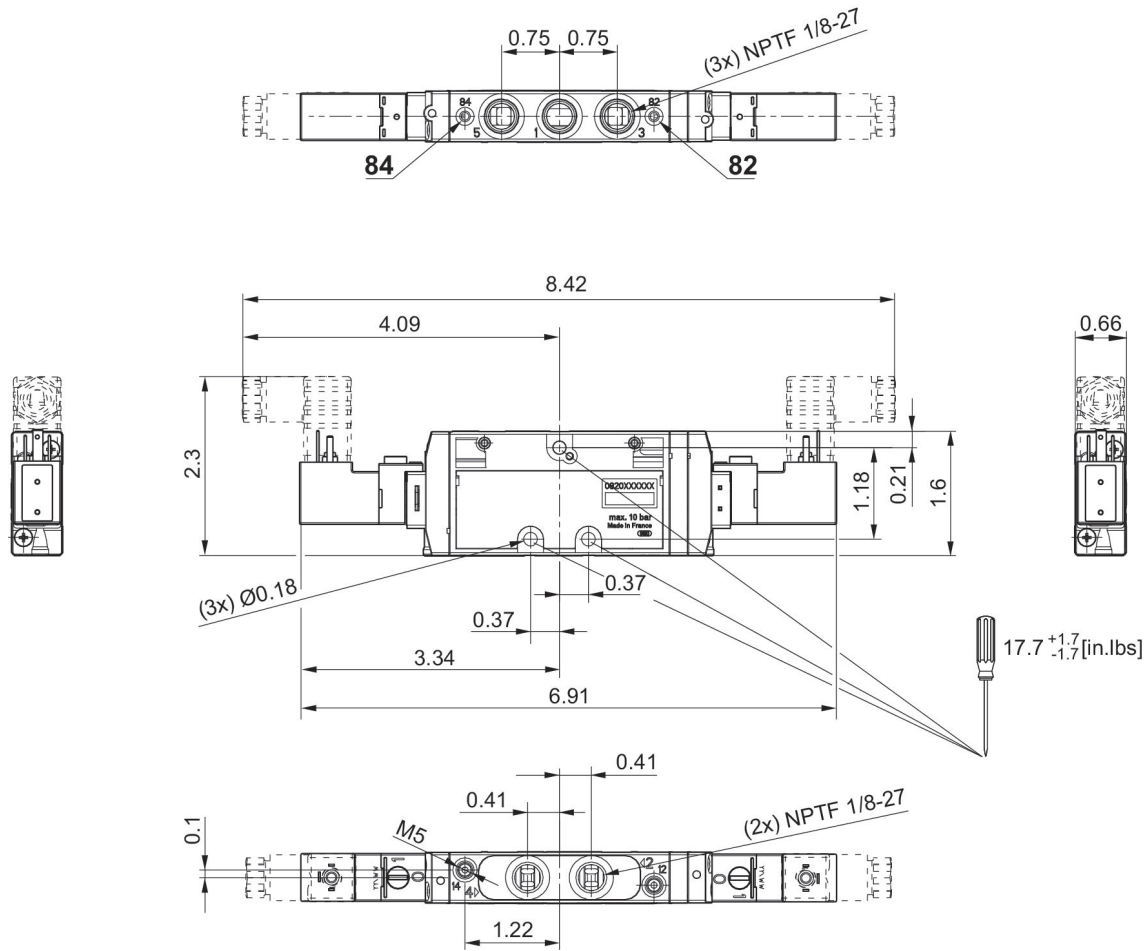


	Switching principle	Operational voltage	Pilot	Power consumption DC [W]	Max. working pressure [bar]	Typ. switch-on time [ms]	Typ. switch-off time [ms]	Part No.
	5/3, closed center	24 V DC	Internal	1.9	10	14	18	R422101225
	5/3, closed center	24 V DC	External	1.9	10	14	18	R422101229
	5/3, exhausted center	24 V DC	Internal	1.9	10	14	18	R422101233
	5/3, exhausted center	24 V DC	External	1.9	10	14	18	R422101237
	5/3, pressurized center	24 V DC	Internal	1.9	10	14	18	R422101241
	5/3, pressurized center	24 V DC	External	1.9	10	14	18	R422101245

Dimensions in mm



Dimensions in inches



5/3-directional valve, Series TC08

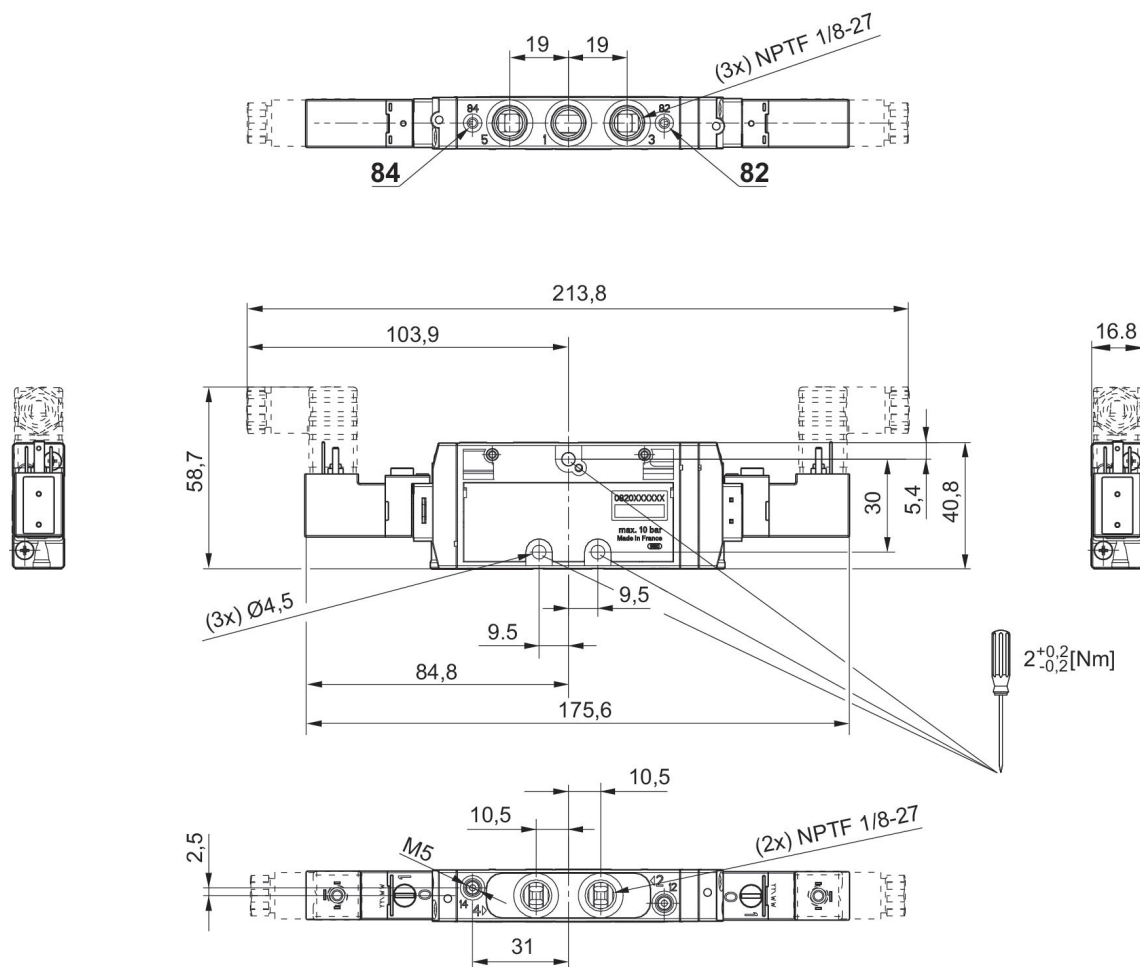
Flow: 700 l/min
 Activation: Electrically
 Duty cycle: 100 %
 Ambient temperature min./max.: -10 °C ... 50 °C
 Medium temperature min./max.: -10 °C ... 50 °C
 Control pressure min./max.: 3 bar ... 10 bar



Switching principle	Operational voltage	Pilot	Power consumption DC [W]	Operational voltage AC at 50 Hz	Operational voltage AC at 60 Hz	Max. working pressure [bar]	Typ. switch-on time [ms]	Part No.
5/3, closed center	12 V DC	Internal	1.9			10	14	R422101224
5/3, closed center	110 V AC	Internal		110 V		10	14	R422101226
5/3, closed center	230 V AC	Internal		230 V	230 V	10	14	R422101227
5/3, closed center	12 V DC	External	1.9			10	14	R422101228
5/3, closed center	110 V AC	External		110 V		10	14	R422101230
5/3, closed center	230 V AC	External		230 V	230 V	10	14	R422101231
5/3, exhausted center	12 V DC	Internal	1.9			10	14	R422101232
5/3, exhausted center	110 V AC	Internal		110 V		10	14	R422101234
5/3, exhausted center	230 V AC	Internal		230 V	230 V	10	14	R422101235
5/3, exhausted center	12 V DC	External	1.9			10	14	R422101236
5/3, exhausted center	110 V AC	External		110 V		10	14	R422101238
5/3, exhausted center	230 V AC	External		230 V	230 V	10	14	R422101239
5/3, pressurized center	12 V DC	Internal	1.9			10	14	R422101240
5/3, pressurized center	110 V AC	Internal		110 V		10	14	R422101242
5/3, pressurized center	230 V AC	Internal		230 V	230 V	10	14	R422101243
5/3, pressurized center	12 V DC	External	1.9			10	14	R422101244
5/3, pressurized center	110 V AC	External		110 V		10	14	R422101246
5/3, pressurized center	230 V AC	External		230 V	230 V	10	14	R422101247

Typ. switch-off time [ms]	Part No.
18	R422101224
18	R422101226
18	R422101227
18	R422101228
18	R422101230
18	R422101231
18	R422101232
18	R422101234
18	R422101235
18	R422101236
18	R422101238
18	R422101239
18	R422101240
18	R422101242
18	R422101243
18	R422101244
18	R422101246
18	R422101247

Dimensions in mm



2x3/2-directional valve, Series TC08

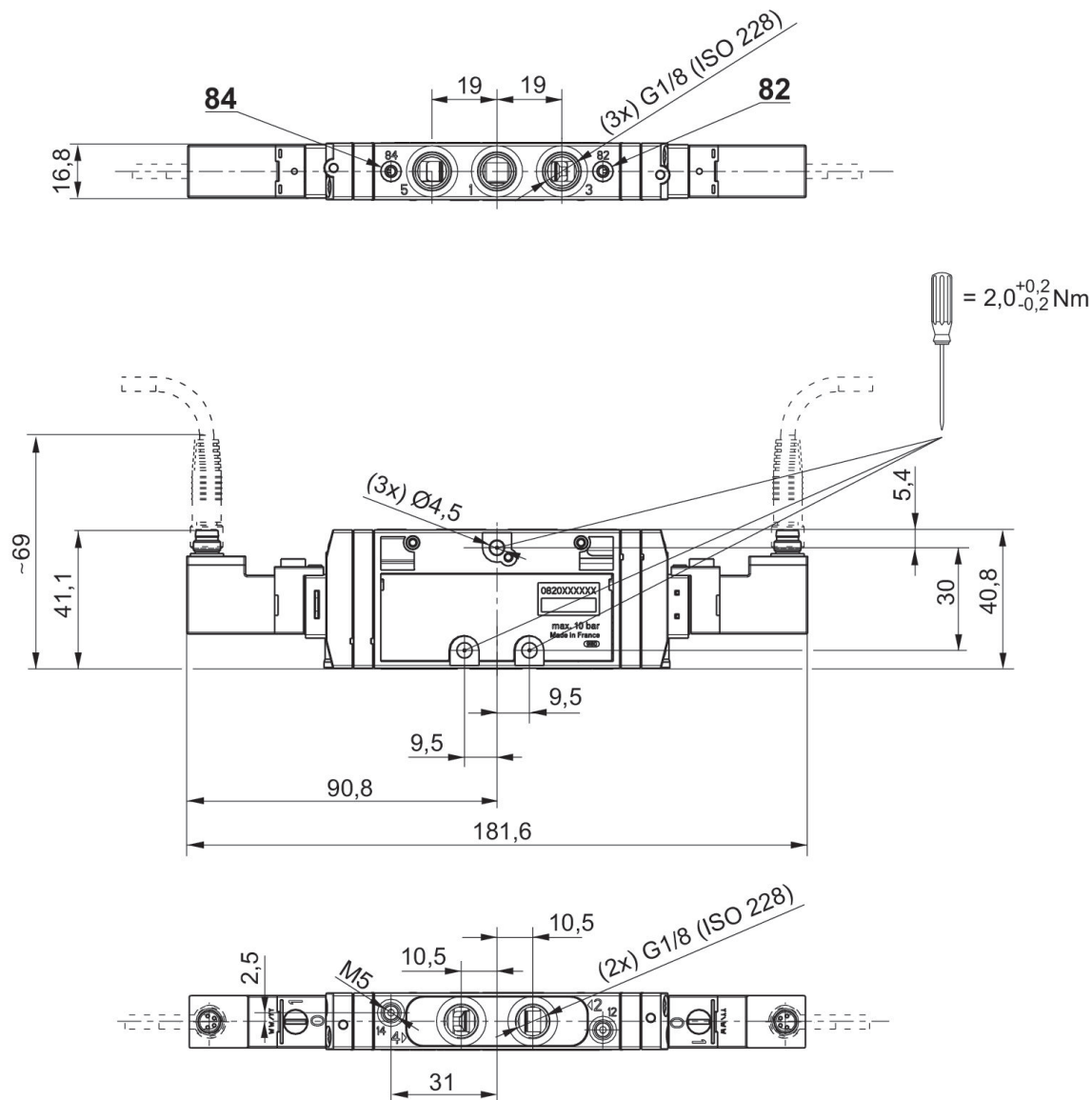
Flow: 600 l/min
 Activation: Electrically
 Manual override: with detent
 Duty cycle: 100 %
 Type: Spool valve, positive overlapping
 Ambient temperature min./max.: -10 °C ... 50 °C
 Medium temperature min./max.: -10 °C ... 50 °C
 Control pressure min./max.: 3 bar ... 10 bar



	Valve function	Switching principle	Operational voltage	Pilot	Power consumption DC [W]	Max. working pressure [bar]	Typ. switch-on time [ms]	Part No.
	NC/NC	2x 3/2 NC/NC, with spring return	24 V DC	Internal	2.2	10	10	R422102055
	NO/NO	2x 3/2 NO/NO, with spring return	24 V DC	Internal	2.2	10	10	R422102056
	NC/NO	2x 3/2 NC/NO, with spring return	24 V DC	Internal	2.2	10	10	R422102057
	NC/NC	2x 3/2 NC/NC, with spring return	24 V DC	External	2.2	10	10	R422102058
	NO/NO	2x 3/2 NO/NO, with spring return	24 V DC	External	2.2	10	10	R422102059
	NC/NO	2x 3/2 NC/NO, with spring return	24 V DC	External	2.2	10	10	R422102060

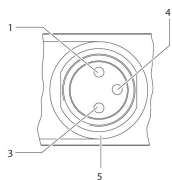
Typ. switch-off time [ms]	Part No.
14	R422102055
14	R422102056
14	R422102057
14	R422102058
14	R422102059
14	R422102060

Dimensions



R422102055, R422102056, R422102057, R422102058, R422102059, R422102060

PIN assignment and cable colors for valve plug connectors



PIN assignment: 1) PIN not assigned 3) 0 V 4) 24 V 5) LED Cable color 1) Brown 3) Blue 4) Black
Note: Bi-polar protective circuit to prevent overvoltage

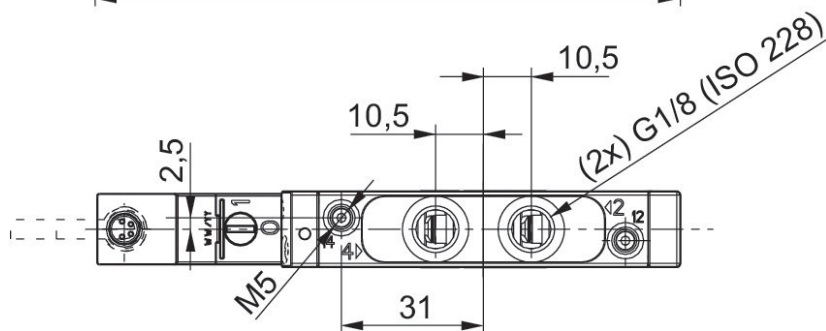
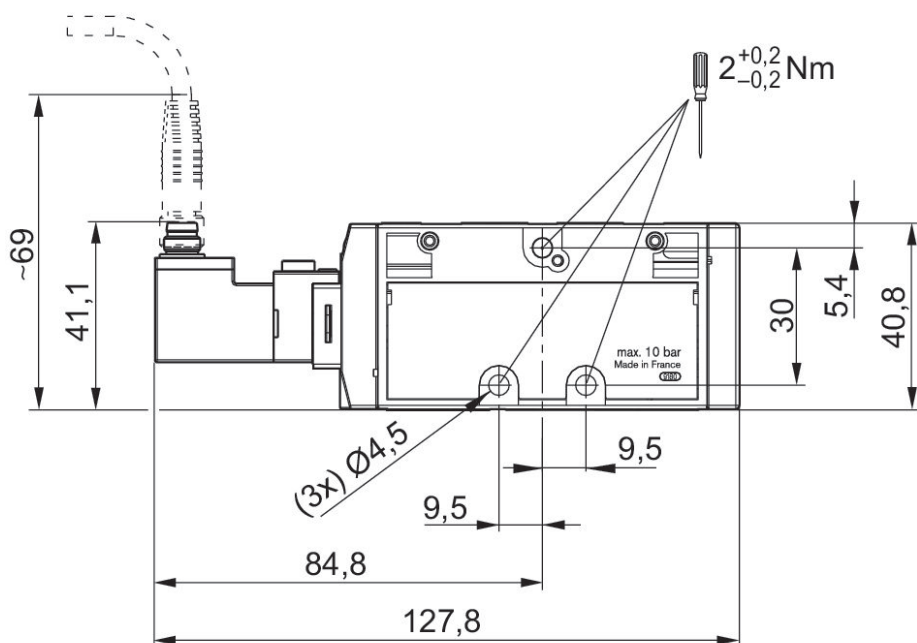
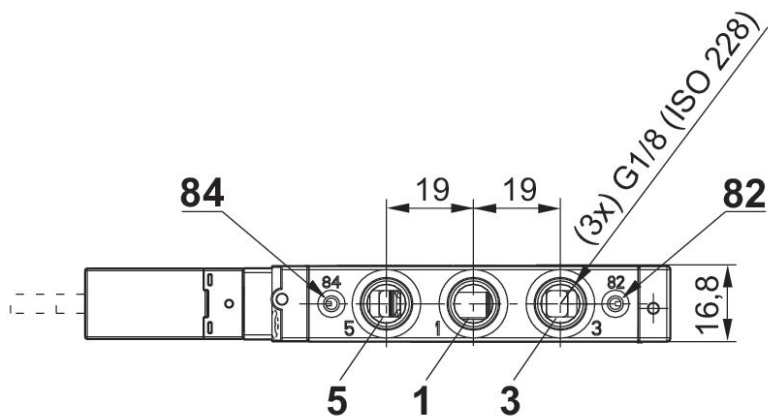
5/2-directional valve, Series TC08

Flow: 800 l/min
 Activation: Electrically
 Manual override: with detent
 Duty cycle: 100 %
 Type: Spool valve, positive overlapping
 Ambient temperature min./max.: -10 °C ... 50 °C
 Medium temperature min./max.: -10 °C ... 50 °C



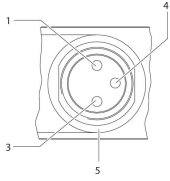
	Switching principle	Operational voltage	Pilot	Power consumption DC [W]	Max. working pressure [bar]	Typ. switch-on time [ms]	Typ. switch-off time [ms]	Part No.
	5/2, with air spring return	24 V DC	Internal	2.2	10	14	18	R422100968
	5/2, with air spring return	24 V DC	External	2.2	10	14	18	R422100969
	5/2, with spring/air spring return	24 V DC	Internal	2.2	10	14	17	R422100970
	5/2, with spring/air spring return	24 V DC	External	2.2	10	14	17	R422100971

Dimensions
Double Solenoid



R422100968, R422100969, R422100970, R422100971

PIN assignment and cable colors for valve plug connectors



PIN assignment: 1) PIN not assigned 3) 0 V 4) 24 V 5) LED Cable color 1) Brown 3) Blue 4) Black
Note: Bi-polar protective circuit to prevent overvoltage

5/2-directional valve, Series TC08

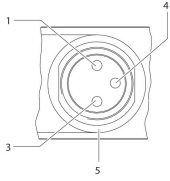
Flow: 800 l/min
 Activation: Electrically
 Manual override: with detent
 Duty cycle: 100 %
 Type: Spool valve, positive overlapping
 Ambient temperature min./max.: -10 °C ... 50 °C
 Medium temperature min./max.: -10 °C ... 50 °C



	Switching principle	Operational voltage	Pilot	Power consumption DC [W]	Max. working pressure [bar]	Typ. switch-on time [ms]	Typ. switch-off time [ms]	Part No.
	5/2, double solenoid	24 V DC	Internal	2.2	10	10	10	R422100972
	5/2, double solenoid	24 V DC	External	2.2	10	10	10	R422100973

R422100972, R422100973

PIN assignment and cable colors for valve plug connectors



PIN assignment: 1) PIN not assigned 3) 0 V 4) 24 V 5) LED Cable color 1) Brown 3) Blue 4) Black
Note: Bi-polar protective circuit to prevent overvoltage

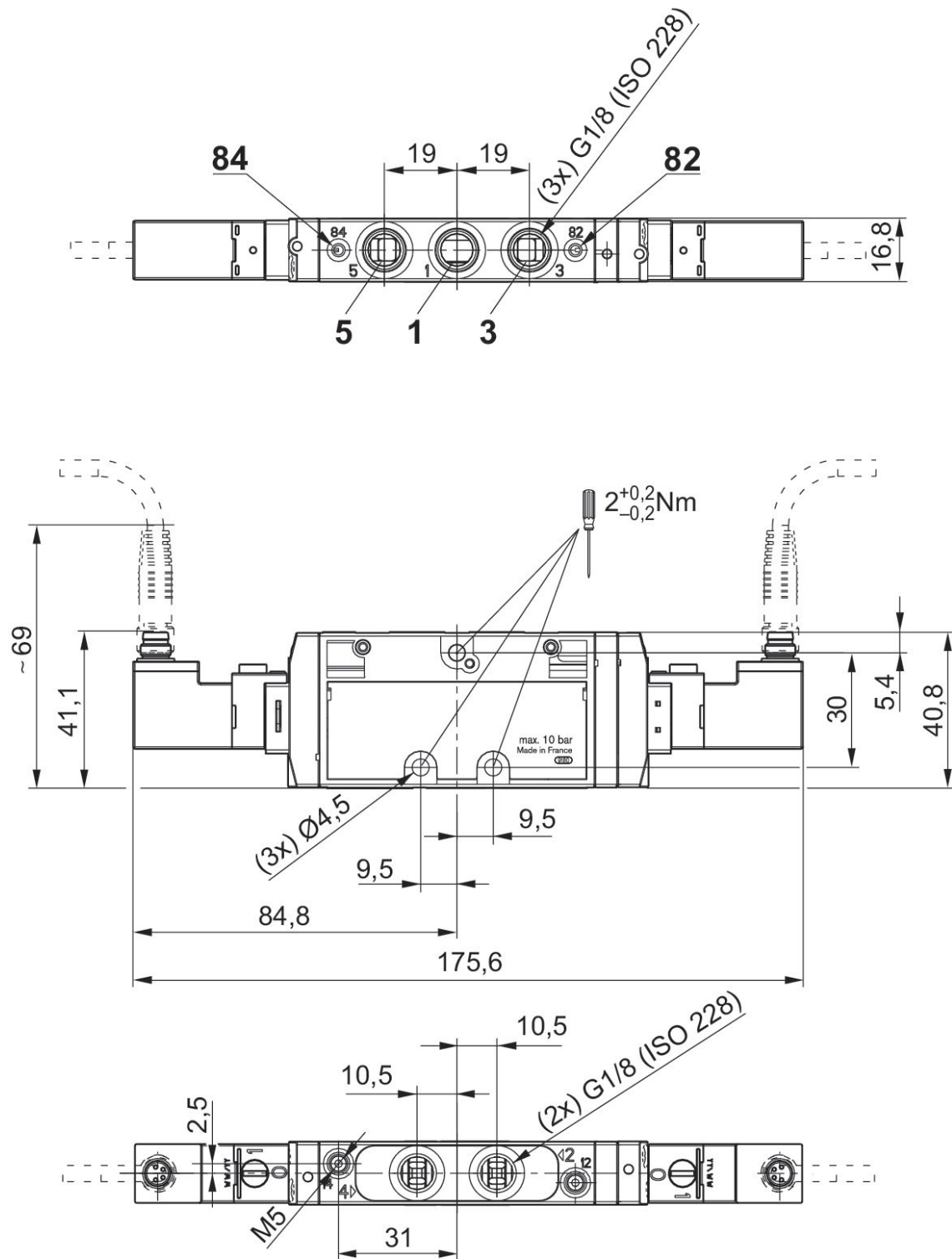
5/3-directional valve, Series TC08

Flow: 700 l/min
 Activation: Electrically
 Manual override: with detent
 Duty cycle: 100 %
 Type: Spool valve, positive overlapping
 Ambient temperature min./max.: -10 °C ... 50 °C
 Medium temperature min./max.: -10 °C ... 50 °C
 Control pressure min./max.: 3 bar ... 10 bar
 Working pressure min./max.: 10 bar



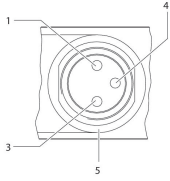
	Switching principle	Operational voltage	Pilot	Power consumption DC [W]	Max. working pressure [bar]	Typ. switch-on time [ms]	Typ. switch-off time [ms]	Part No.
	5/3, closed center	24 V DC	Internal	2.2	10	10	11	R422100974
	5/3, closed center	24 V DC	External	2.2	10	10	11	R422100975
	5/3, exhausted center	24 V DC	Internal	2.2	10	10	11	R422100976
	5/3, exhausted center	24 V DC	External	2.2	10	10	11	R422100977
	5/3, pressurized center	24 V DC	Internal	2.2	10	10	11	R422100978
	5/3, pressurized center	24 V DC	External	2.2	10	10	11	R422100979

Dimensions



R422100974, R422100975, R422100976, R422100977, R422100978, R422100979

PIN assignment and cable colors for valve plug connectors



PIN assignment: 1) PIN not assigned 3) 0 V 4) 24 V 5) LED Cable color 1) Brown 3) Blue 4) Black
Note: Bi-polar protective circuit to prevent overvoltage

2x3/2-directional valve, Series TC08

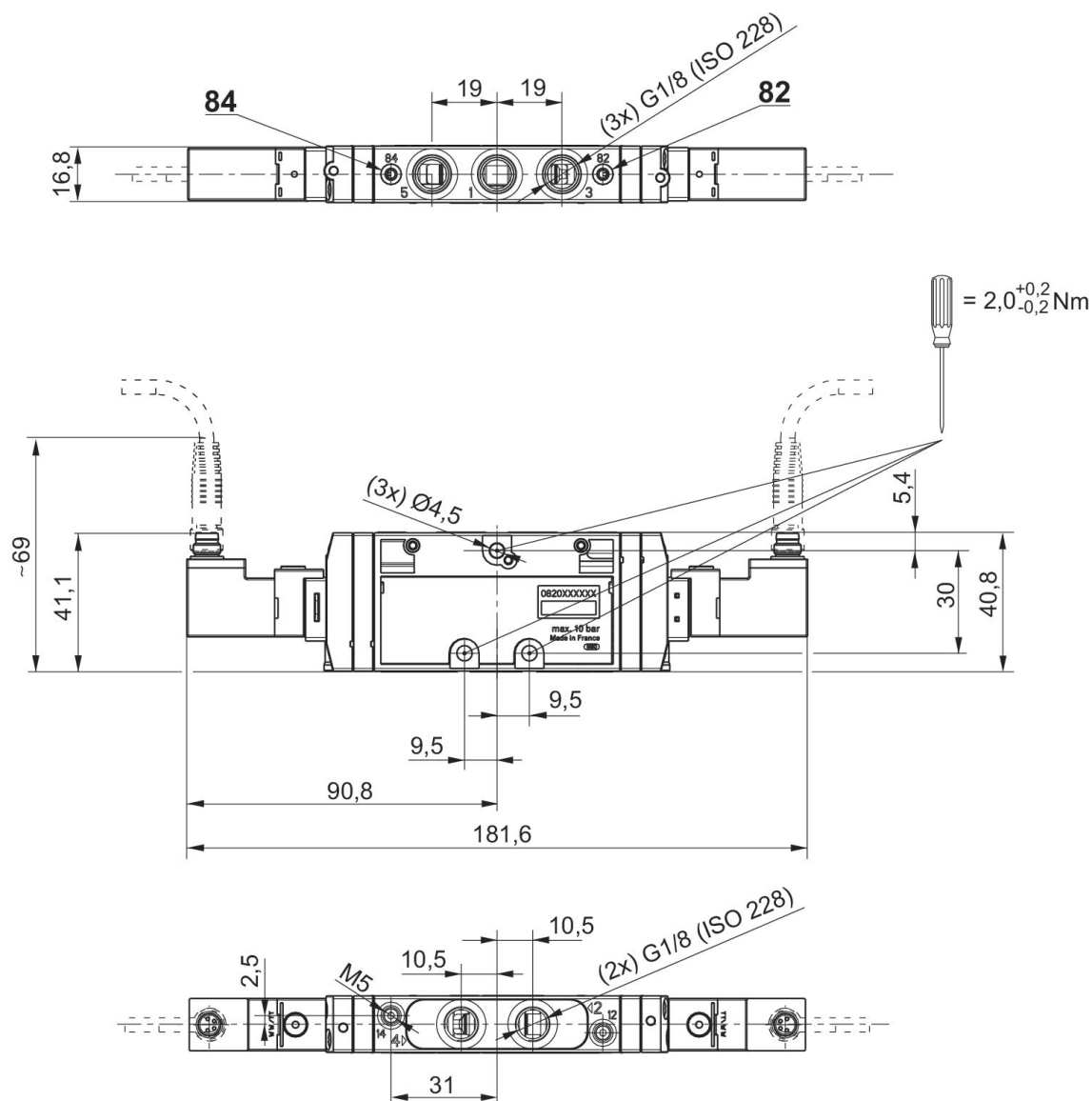
Flow: 600 l/min
 Activation: Electrically
 Manual override: without detent
 Duty cycle: 100 %
 Type: Spool valve, positive overlapping
 Ambient temperature min./max.: -10 °C ... 50 °C
 Medium temperature min./max.: -10 °C ... 50 °C
 Control pressure min./max.: 3 bar ... 10 bar



	Valve function	Switching principle	Operational voltage	Pilot	Power consumption DC [W]	Max. working pressure [bar]	Typ. switch-on time [ms]	Part No.
	NC/NC	2x 3/2 NC/NC, with spring return	24 V DC	Internal	2.2	10	10	R422102049
	NO/NO	2x 3/2 NO/NO, with spring return	24 V DC	Internal	2.2	10	10	R422102050
	NC/NO	2x 3/2 NC/NO, with spring return	24 V DC	Internal	2.2	10	10	R422102051
	NC/NC	2x 3/2 NC/NC, with spring return	24 V DC	External	2.2	10	10	R422102052
	NO/NO	2x 3/2 NO/NO, with spring return	24 V DC	External	2.2	10	10	R422102053
	NC/NO	2x 3/2 NC/NO, with spring return	24 V DC	External	2.2	10	10	R422102054

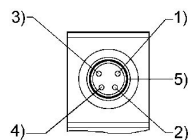
Typ. switch-off time [ms]	Part No.
14	R422102049
14	R422102050
14	R422102051
14	R422102052
14	R422102053
14	R422102054

Dimensions



R422102049, R422102050, R422102051, R422102052, R422102053, R422102054

PIN assignment and cable colors for valve plug connectors



PIN assignment: 1) PIN not assigned 2) PIN not assigned 3) 0 V 4) 24 V 5) LED Cable colors 1) Brown 2) White 3) Blue 4) Black

2x3/2-directional valve, Series TC08

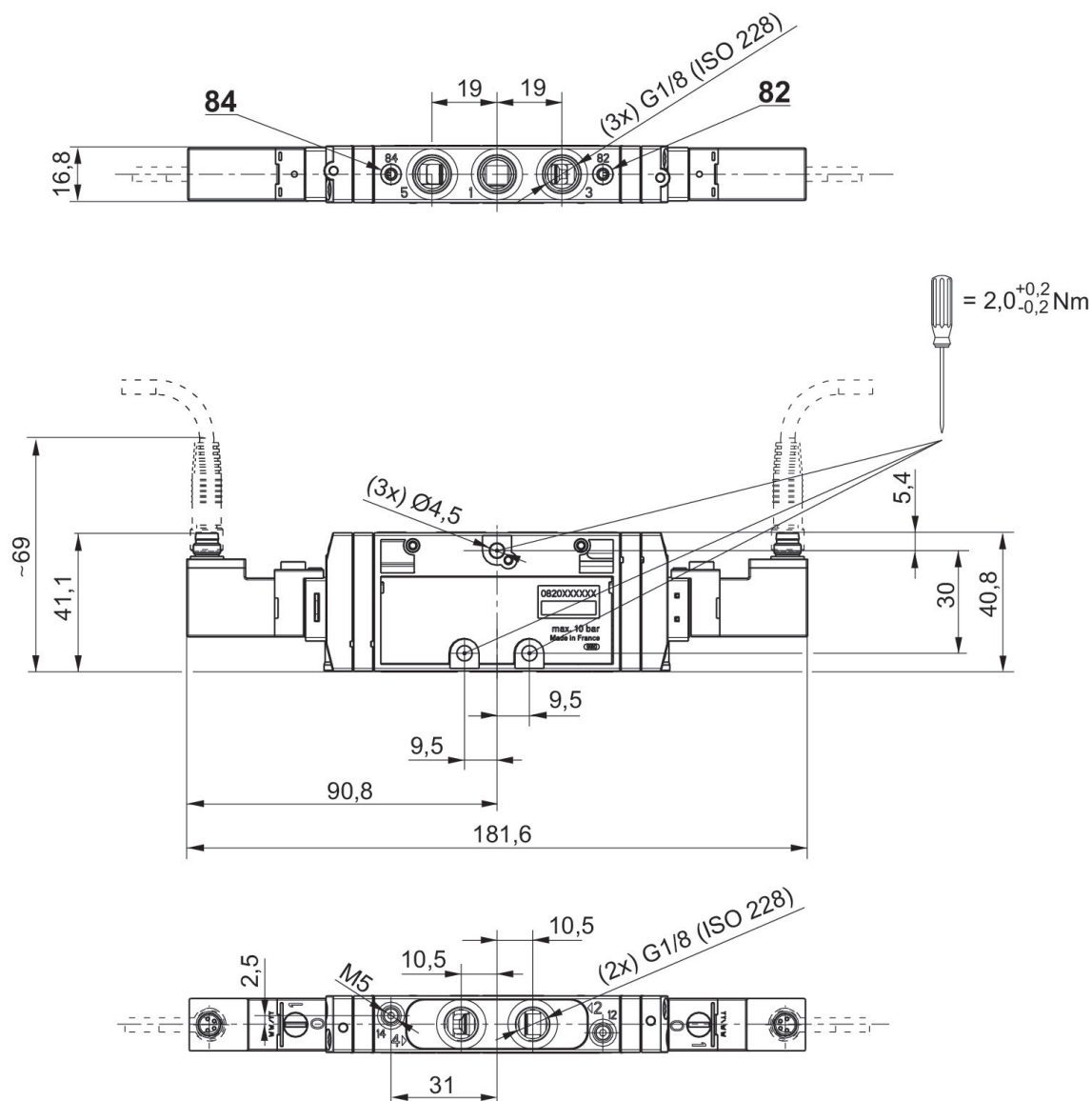
Flow: 600 l/min
 Activation: Electrically
 Manual override: with detent
 Duty cycle: 100 %
 Type: Spool valve, positive overlapping
 Ambient temperature min./max.: -10 °C ... 50 °C
 Medium temperature min./max.: -10 °C ... 50 °C
 Control pressure min./max.: 2.5 bar ... 10 bar
 Working pressure min./max.: 10 bar



	Valve function	Switching principle	Operational voltage	Pilot	Power consumption DC [W]	Max. working pressure [bar]	Typ. switch-on time [ms]	Part No.
	NC/NC	2x 3/2 NC/NC, with spring return	24 V DC	Internal	2.2	10	10	R422102043
	NO/NO	2x 3/2 NO/NO, with spring return	24 V DC	Internal	2.2	10	10	R422102044
	NC/NO	2x 3/2 NC/NO, with spring return	24 V DC	Internal	2.2	10	10	R422102045
	NC/NC	2x 3/2 NC/NC, with spring return	24 V DC	External	2.2	10	10	R422102046
	NO/NO	2x 3/2 NO/NO, with spring return	24 V DC	External	2.2	10	10	R422102047
	NC/NO	2x 3/2 NC/NO, with spring return	24 V DC	External	2.2	10	10	R422102048

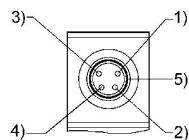
Typ. switch-off time [ms]	Part No.
14	R422102043
14	R422102044
14	R422102045
14	R422102046
14	R422102047
14	R422102048

Dimensions



R422102043, R422102044, R422102045, R422102046, R422102047, R422102048

PIN assignment and cable colors for valve plug connectors



PIN assignment: 1) PIN not assigned 2) PIN not assigned 3) 0 V 4) 24 V 5) LED Cable colors 1) Brown 2) White 3) Blue 4) Black

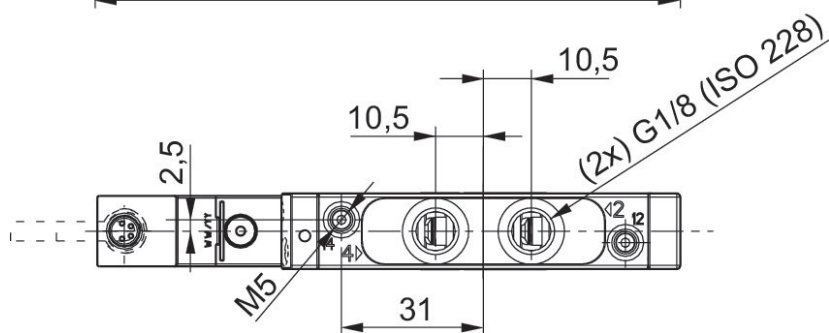
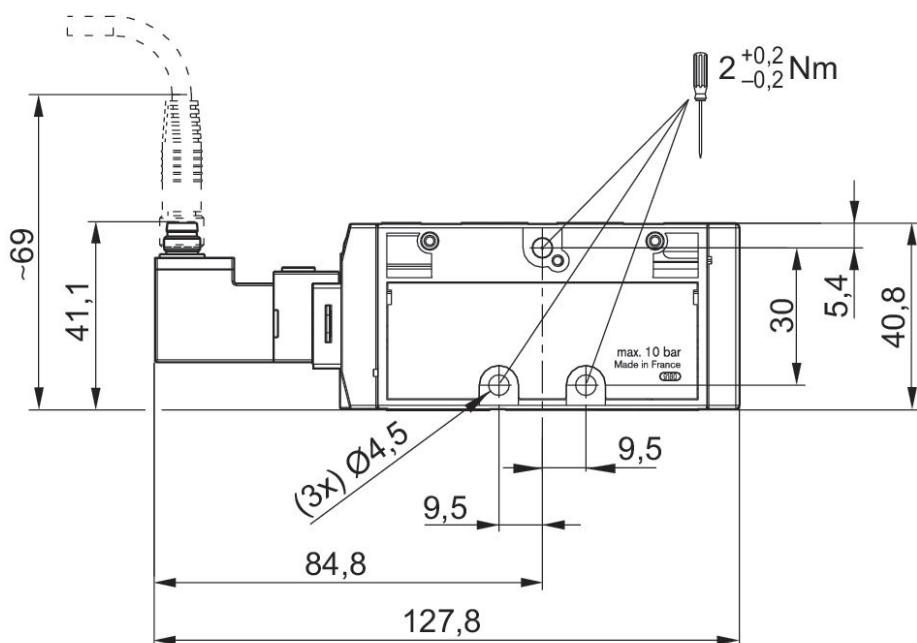
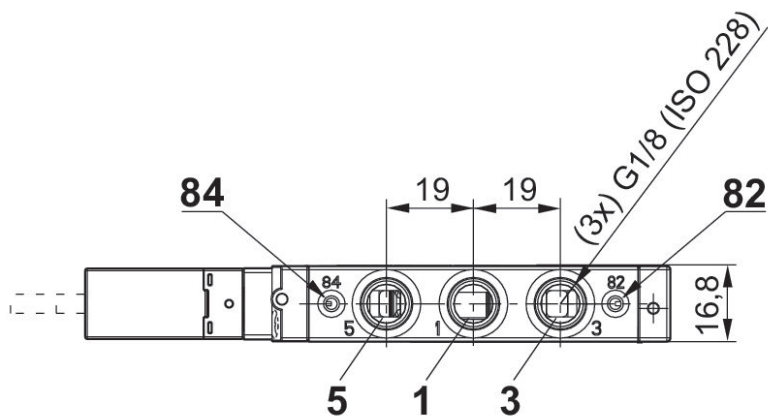
5/2-directional valve, Series TC08

Flow: 800 l/min
 Activation: Electrically
 Manual override: without detent
 Duty cycle: 100 %
 Type: Spool valve, positive overlapping
 Ambient temperature min./max.: -10 °C ... 50 °C
 Medium temperature min./max.: -10 °C ... 50 °C



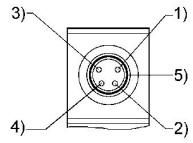
	Switching principle	Operational voltage	Pilot	Power consumption DC [W]	Max. working pressure [bar]	Typ. switch-on time [ms]	Typ. switch-off time [ms]	Part No.
	5/2, with air spring return	24 V DC	Internal	2.2	10	14	18	0820060301
	5/2, with air spring return	24 V DC	External	2.2	10	14	18	0820060351
	5/2, with spring/air spring return	24 V DC	Internal	2.2	10	14	17	0820060311
	5/2, with spring/air spring return	24 V DC	External	2.2	10	14	17	0820060361

Dimensions
Double Solenoid



0820060301, 0820060351, 0820060311, 0820060361

PIN assignment and cable colors for valve plug connectors



PIN assignment: 1) PIN not assigned 2) PIN not assigned 3) 0 V 4) 24 V 5) LED Cable colors 1) Brown 2) White 3) Blue 4) Black

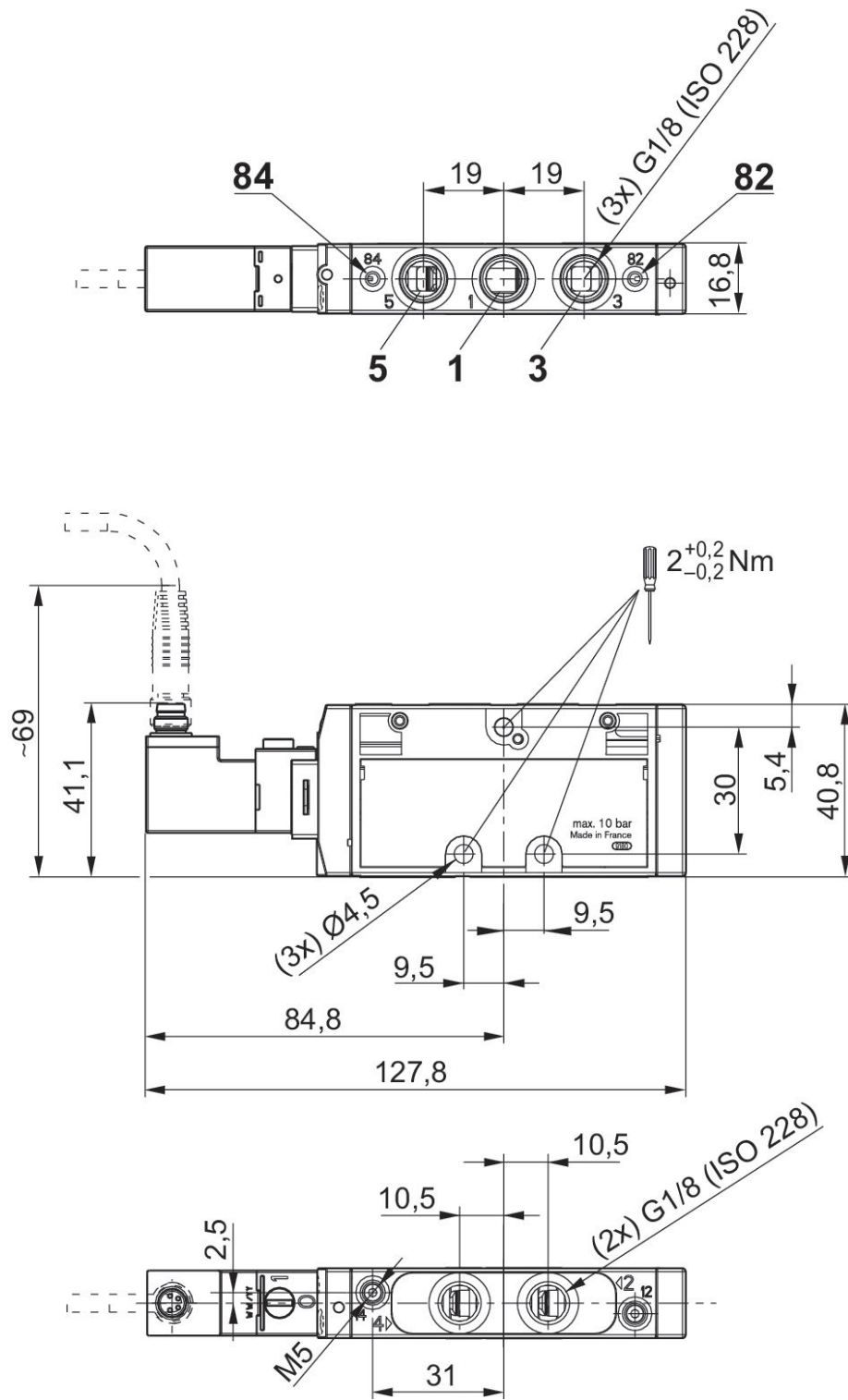
5/2-directional valve, Series TC08

Flow: 800 l/min
 Activation: Electrically
 Manual override: with detent
 Duty cycle: 100 %
 Type: Spool valve, positive overlapping
 Ambient temperature min./max.: -10 °C ... 50 °C
 Medium temperature min./max.: -10 °C ... 50 °C



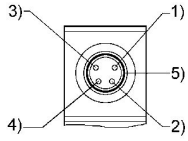
	Switching principle	Operational voltage	Pilot	Power consumption DC [W]	Max. working pressure [bar]	Typ. switch-on time [ms]	Typ. switch-off time [ms]	Part No.
	5/2, with air spring return	24 V DC	Internal	2.2	10	14	18	0820060201
	5/2, with air spring return	24 V DC	External	2.2	10	14	18	0820060251
	5/2, with spring/air spring return	24 V DC	Internal	2.2	10	14	17	0820060211
	5/2, with spring/air spring return	24 V DC	External	2.2	10	14	17	0820060261

Dimensions
Double Solenoid



0820060201, 0820060251, 0820060211, 0820060261

PIN assignment and cable colors for valve plug connectors


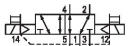


PIN assignment: 1) PIN not assigned 2) PIN not assigned 3) 0 V 4) 24 V 5) LED Cable colors 1) Brown 2) White 3) Blue 4) Black

5/2-directional valve, Series TC08

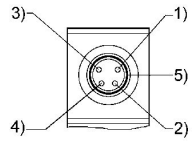
Flow: 800 l/min
 Activation: Electrically
 Manual override: without detent
 Duty cycle: 100 %
 Type: Spool valve, positive overlapping
 Ambient temperature min./max.: -10 °C ... 50 °C
 Medium temperature min./max.: -10 °C ... 50 °C



	Switching principle	Operational voltage	Pilot	Power consumption DC [W]	Max. working pressure [bar]	Typ. switch-on time [ms]	Typ. switch-off time [ms]	Part No.
	5/2, double solenoid	24 V DC	Internal	2.2	10	10	10	0820060321
	5/2, double solenoid	24 V DC	External	2.2	10	10	10	0820060371

0820060321, 0820060371

PIN assignment and cable colors for valve plug connectors



PIN assignment: 1) PIN not assigned 2) PIN not assigned 3) 0 V 4) 24 V 5) LED Cable colors 1) Brown 2) White 3) Blue 4) Black

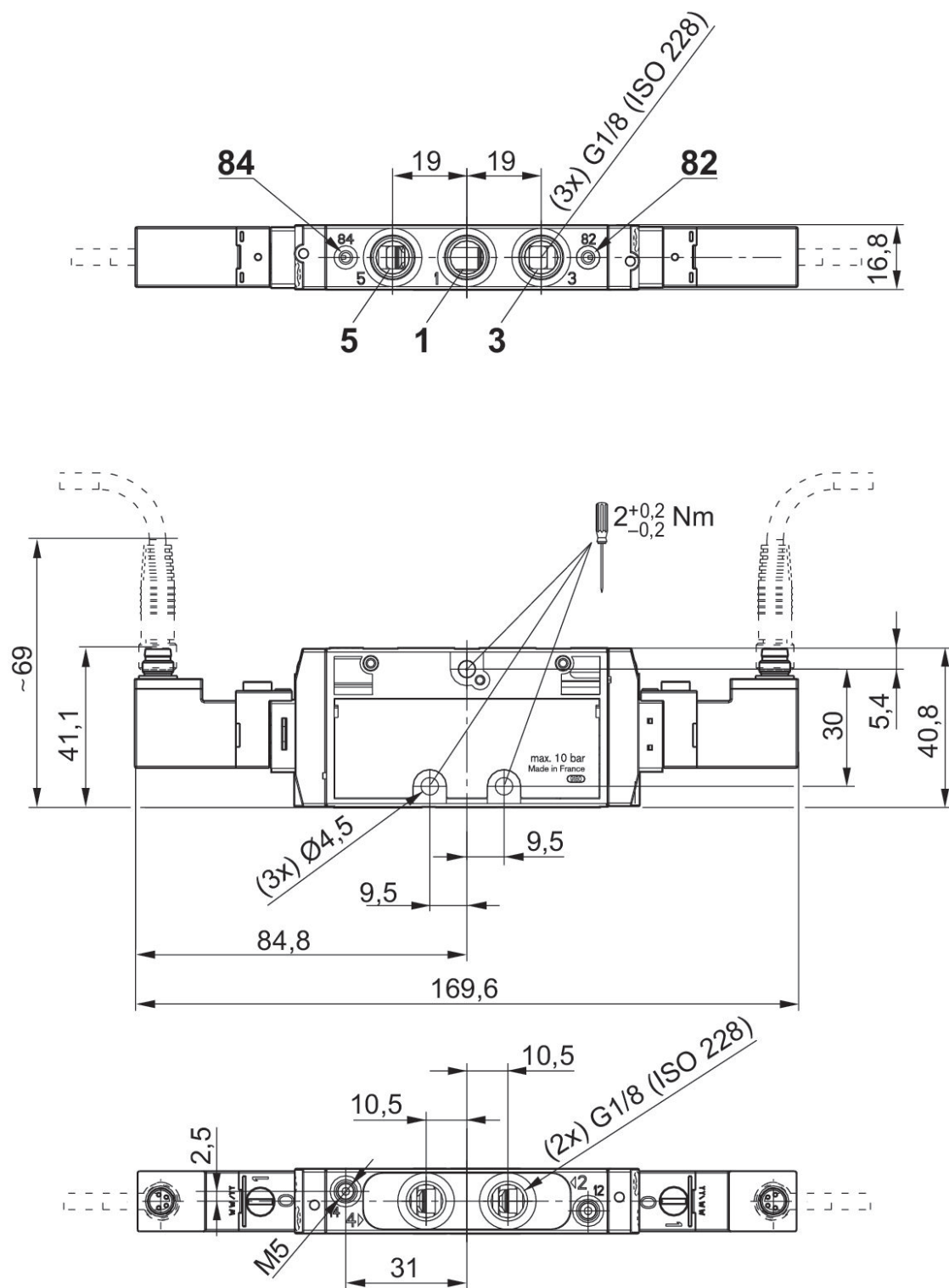
5/2-directional valve, Series TC08

Flow: 800 l/min
 Activation: Electrically
 Manual override: with detent
 Duty cycle: 100 %
 Type: Spool valve, positive overlapping
 Ambient temperature min./max.: -10 °C ... 50 °C
 Medium temperature min./max.: -10 °C ... 50 °C



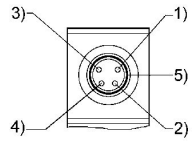
	Switching principle	Operational voltage	Pilot	Power consumption DC [W]	Max. working pressure [bar]	Typ. switch-on time [ms]	Typ. switch-off time [ms]	Part No.
	5/2, double solenoid	24 V DC	Internal	2.2	10	10	10	0820060221
	5/2, double solenoid	24 V DC	External	2.2	10	10	10	0820060271

Dimensions
Double Solenoid



0820060221, 0820060271

PIN assignment and cable colors for valve plug connectors



PIN assignment: 1) PIN not assigned 2) PIN not assigned 3) 0 V 4) 24 V 5) LED Cable colors 1) Brown 2) White 3) Blue 4) Black

5/3-directional valve, Series TC08

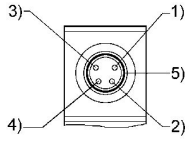
Flow: 700 l/min
 Activation: Electrically
 Manual override: without detent
 Duty cycle: 100 %
 Type: Spool valve, positive overlapping
 Ambient temperature min./max.: -10 °C ... 50 °C
 Medium temperature min./max.: -10 °C ... 50 °C
 Control pressure min./max.: 3 bar ... 10 bar
 Working pressure min./max.: 10 bar



	Switching principle	Operational voltage	Pilot	Power consumption DC [W]	Max. working pressure [bar]	Typ. switch-on time [ms]	Typ. switch-off time [ms]	Part No.
	5/3, closed center	24 V DC	Internal	2.2	10	10	11	0820061301
	5/3, closed center	24 V DC	External	2.2	10	10	11	0820061351
	5/3, exhausted center	24 V DC	Internal	2.2	10	10	11	0820061311
	5/3, exhausted center	24 V DC	External	2.2	10	10	11	0820061361
	5/3, pressurized center	24 V DC	Internal	2.2	10	10	11	0820061321
	5/3, pressurized center	24 V DC	External	2.2	10	10	11	0820061371

0820061301, 0820061351, 0820061311, 0820061361, 0820061321, 0820061371

PIN assignment and cable colors for valve plug connectors



PIN assignment: 1) PIN not assigned 2) PIN not assigned 3) 0 V 4) 24 V 5) LED Cable colors 1) Brown 2) White 3) Blue 4) Black

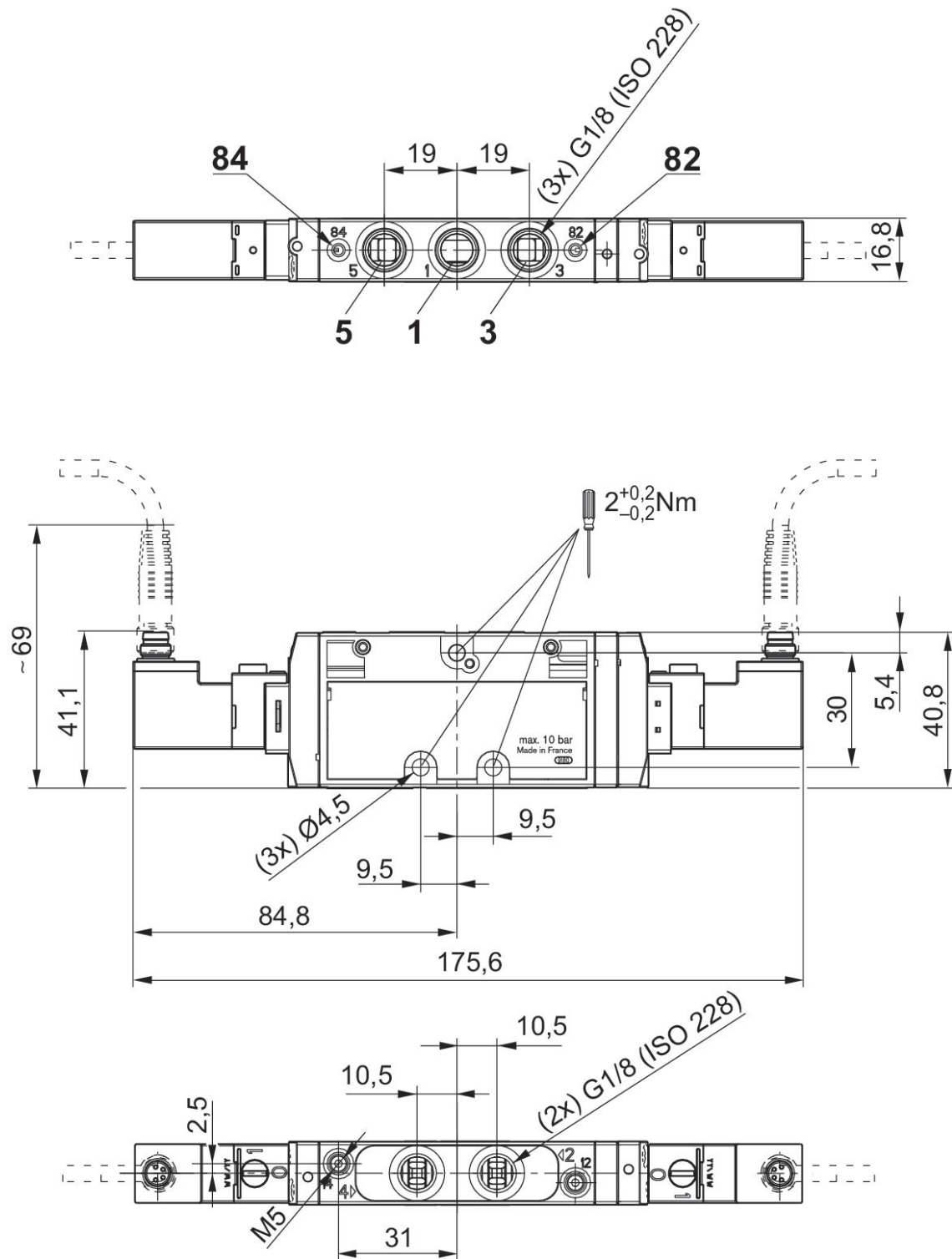
5/3-directional valve, Series TC08

Flow: 700 l/min
 Activation: Electrically
 Manual override: with detent
 Duty cycle: 100 %
 Type: Spool valve, positive overlapping
 Ambient temperature min./max.: -10 °C ... 50 °C
 Medium temperature min./max.: -10 °C ... 50 °C
 Control pressure min./max.: 3 bar ... 10 bar
 Working pressure min./max.: 10 bar



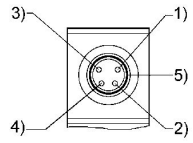
	Switching principle	Operational voltage	Pilot	Power consumption DC [W]	Max. working pressure [bar]	Typ. switch-on time [ms]	Typ. switch-off time [ms]	Part No.
	5/3, closed center	24 V DC	Internal	2.2	10	10	11	0820061201
	5/3, closed center	24 V DC	External	2.2	10	10	11	0820061251
	5/3, exhausted center	24 V DC	Internal	2.2	10	10	11	0820061211
	5/3, exhausted center	24 V DC	External	2.2	10	10	11	0820061261
	5/3, pressurized center	24 V DC	Internal	2.2	10	10	11	0820061221
	5/3, pressurized center	24 V DC	External	2.2	10	10	11	0820061271

Dimensions



0820061201, 0820061251, 0820061211, 0820061261, 0820061221, 0820061271

PIN assignment and cable colors for valve plug connectors



PIN assignment: 1) PIN not assigned 2) PIN not assigned 3) 0 V 4) 24 V 5) LED Cable colors 1) Brown 2) White 3) Blue 4) Black

2x3/2-directional valve, Series TC08

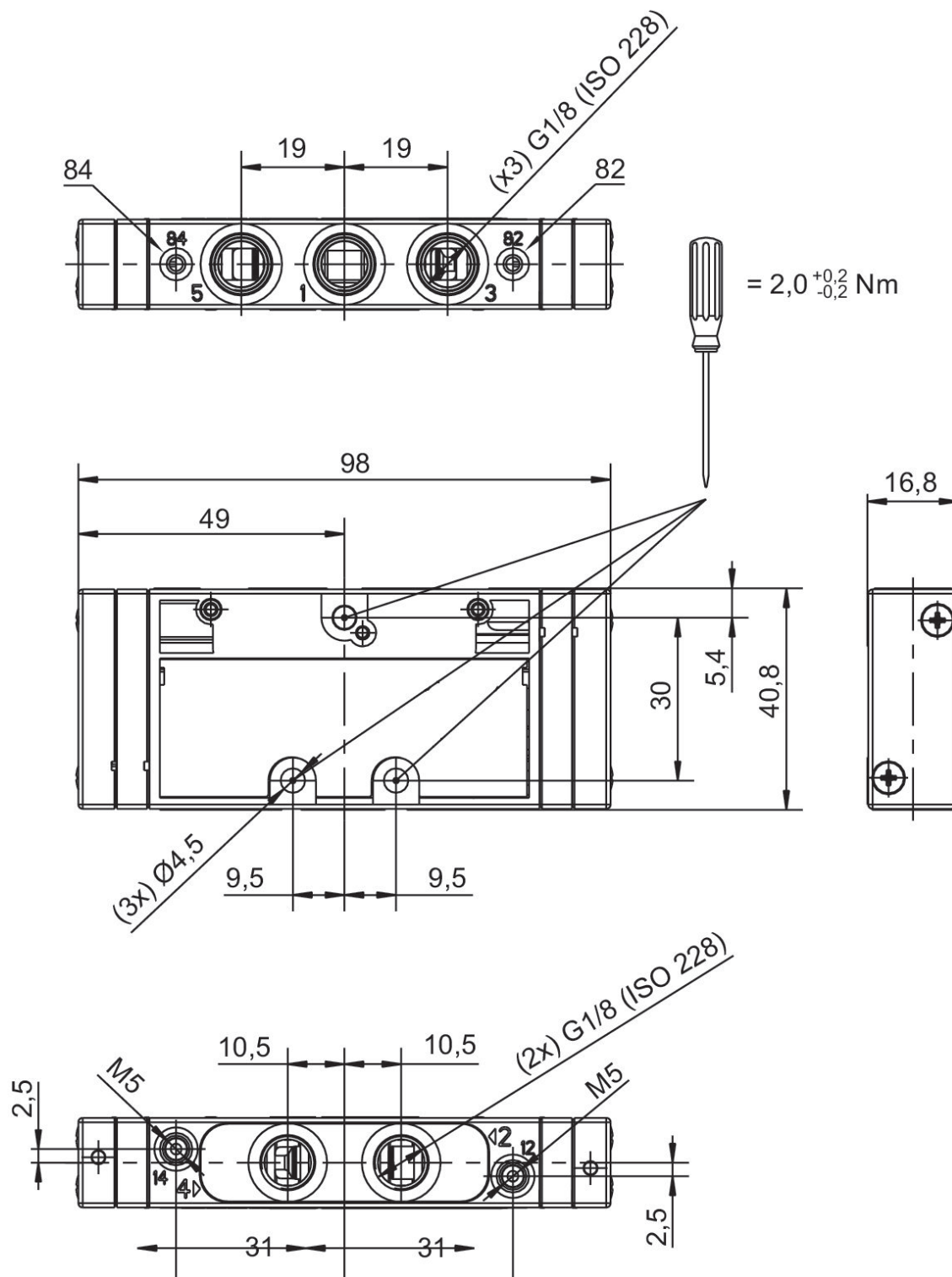
Flow: 600 l/min
 Activation: Pneumatically
 Type: Spool valve
 Ambient temperature min./max.: -10 °C ... 50 °C
 Medium temperature min./max.: -10 °C ... 50 °C
 Control pressure min./max.: 2.5 bar ... 10 bar
 Working pressure min./max.: -0.9 bar ... 10 bar



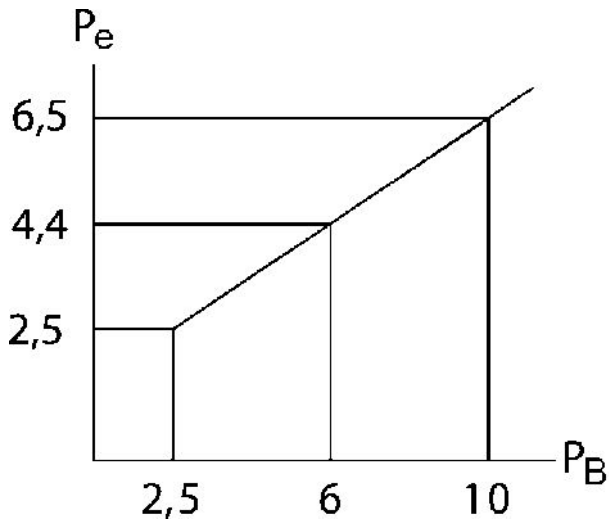
	Valve function	Switching principle	Compressed air connection input	Compressed air connection output	Min. working pressure [bar]	Max. working pressure [bar]	Pilot	Part No.
	NC/NC	2x 3/2 NC/NC, with spring return	G 1/8	G 1/8	-0.9	10	External	R422102094
	NO/NO	2x 3/2 NO/NO, with spring return	G 1/8	G 1/8	-0.9	10	External	R422102095
	NC/NO	2x 3/2 NC/NO, with spring return	G 1/8	G 1/8	-0.9	10	External	R422102096

Flow Qn [l/min]	Min. control pressure [bar]	Max. control pressure [bar]	Part No.
600	2.5	10	R422102094
600	2.5	10	R422102095
600	2.5	10	R422102096

Dimensions



Control pressure



P_e = external control pressure, min.
 P_B = Working pressure

5/2-directional valve, Series TC08

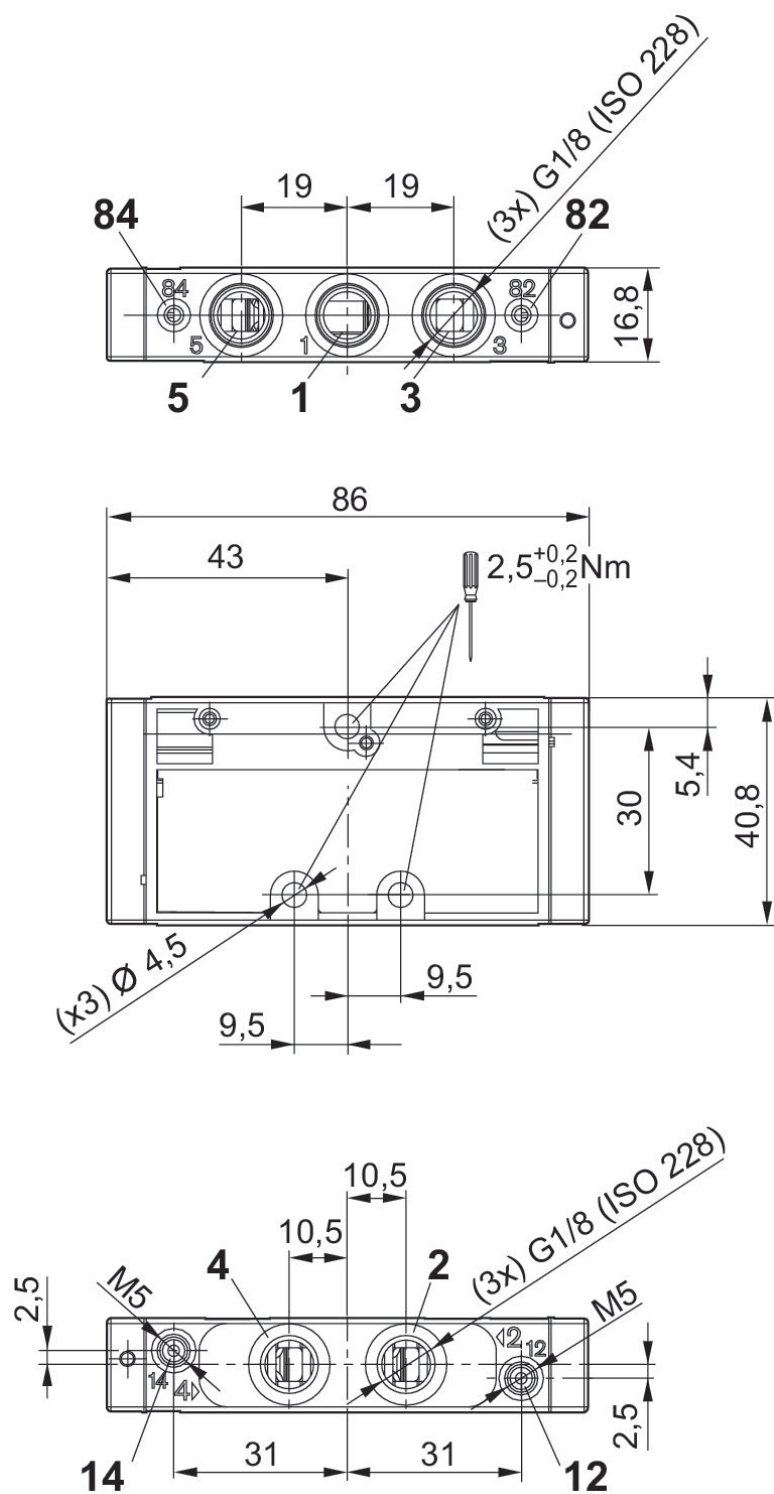
Flow: 800 l/min
 Activation: Pneumatically
 Type: Spool valve, positive overlapping
 Ambient temperature min./max.: -10 °C ... 50 °C
 Medium temperature min./max.: -10 °C ... 50 °C
 Control pressure min./max.: 10 bar



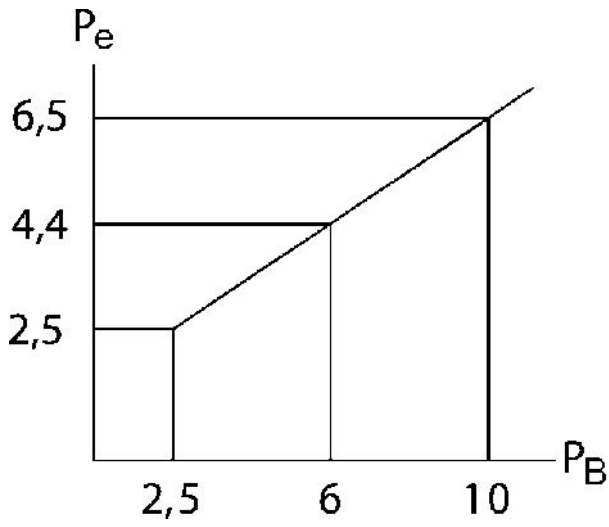
	Switching principle	Compressed air connection input	Compressed air connection output	Min. working pressure [bar]	Max. working pressure [bar]	Pilot	Flow Qn [l/min]	Part No.
	5/2, with air spring return	G 1/8	G 1/8	2.5	10	External	800	0820260001
	5/2, with spring return	G 1/8	G 1/8	3	10	External	800	0820260002
	5/2, double air pilot	G 1/8	G 1/8	-0.9	10	External	800	0820260003
	5/2, double air pilot	G 1/8	G 1/8	-0.9	10	External	800	0820260004

Min. control pressure [bar]	Max. control pressure [bar]	Part No.
2.5	10	0820260001
3	10	0820260002
2	10	0820260003
2.5	10	0820260004

Dimensions



Control pressure



P_e = external control pressure, min.
 P_B = Working pressure

5/3-directional valve, Series TC08

Flow: 700 l/min

Activation: Pneumatically

Type: Spool valve, positive overlapping

Ambient temperature min./max.: -10 °C ... 50 °C

Medium temperature min./max.: -10 °C ... 50 °C

Control pressure min./max.: 3 bar ... 10 bar

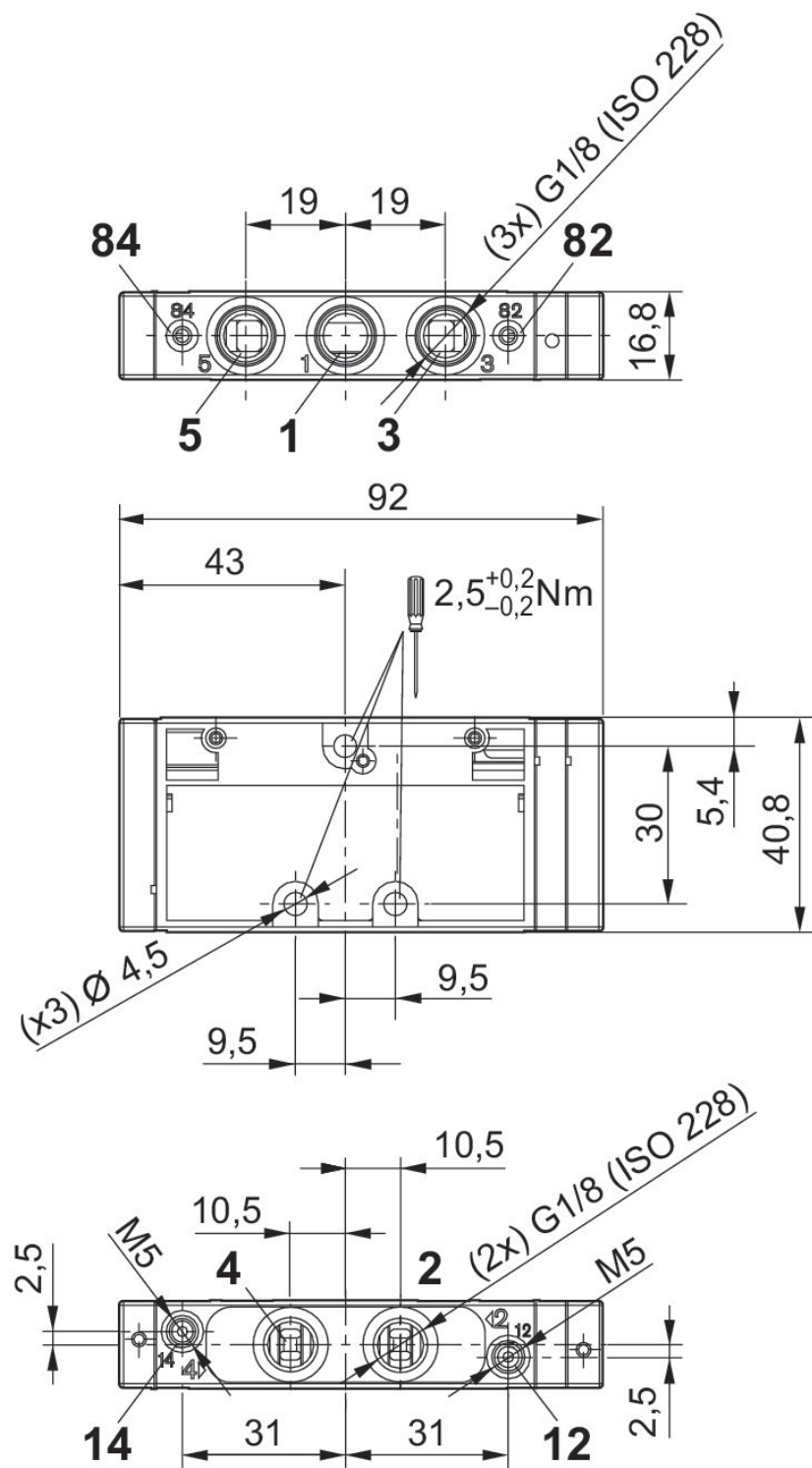
Working pressure min./max.: -0.9 bar ... 10 bar



	Switching principle	Compressed air connection input	Compressed air connection output	Min. working pressure [bar]	Max. working pressure [bar]	Pilot	Flow Qn [l/min]	Part No.
	5/3, closed center	G 1/8	G 1/8	-0.9	10	External	700	0820261001
	5/3, exhausted center	G 1/8	G 1/8	-0.9	10	External	700	0820261002
	5/3, pressurized center	G 1/8	G 1/8	-0.9	10	External	700	0820261003

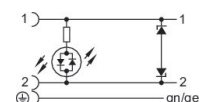
Min. control pressure [bar]	Max. control pressure [bar]	Part No.
3	10	0820261001
3	10	0820261002
3	10	0820261003

Dimensions



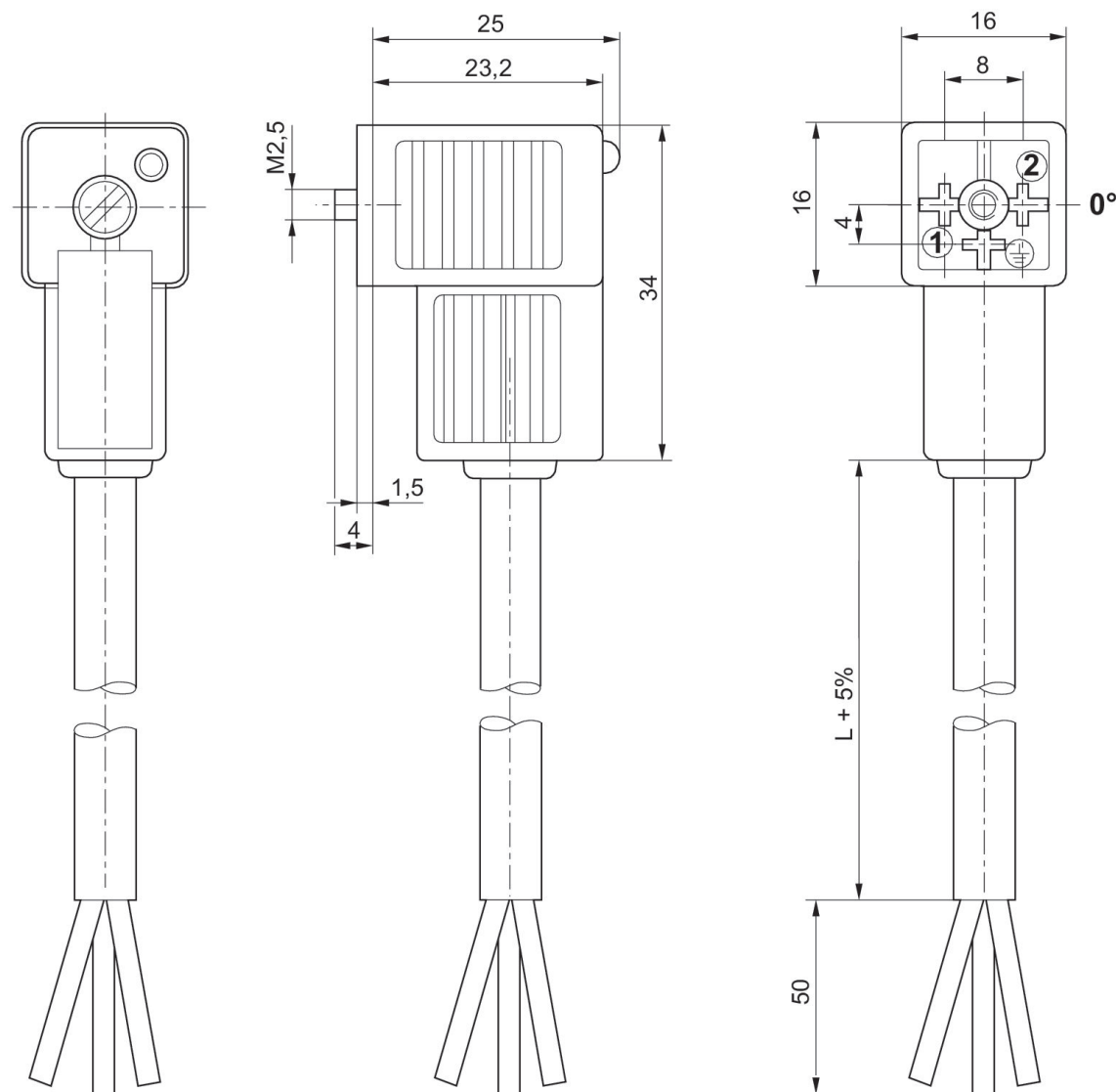
Valve plug connector, series CON-VP, 0° female insert

Electrical connection 1: Socket ... form C ... 2+E
 Electrical connection 2: open cable ends ... 3-pin
 Protective circuit: Z-diode
 Ambient temperature min./max.: -20 °C ... 80 °C



	Operational voltage	Protective circuit	Max. current [A]	Contact assignment	LED status display	Cable-Ø [mm]	Cable length [m]	Part No.
	230 V AC/DC		6	2+E		5.9	3	1834484212
	230 V AC/DC		6	2+E		5.9	5	1834484214
	24 V AC/DC	Z-diode	6	2+E	Yellow	5.9	3	1834484204
	24 V AC/DC	Z-diode	6	2+E	Yellow	5.9	5	1834484206
	230 V AC/DC	Varistor	6	2+E	Yellow	5.9	3	1834484208
	230 V AC/DC	Varistor	6	2+E	Yellow	5.9	5	1834484210

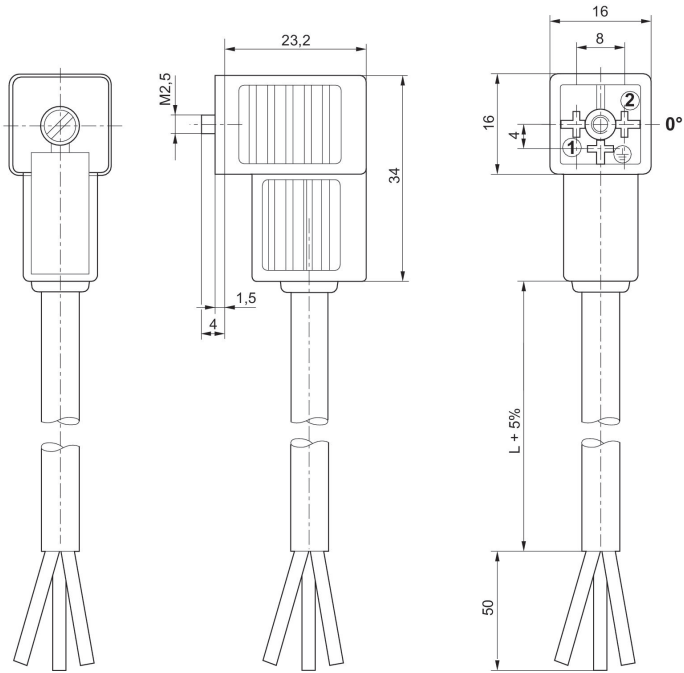
Dimensions



0° female insert

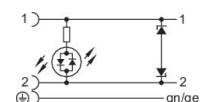
1834484212, 1834484214

Dimensions



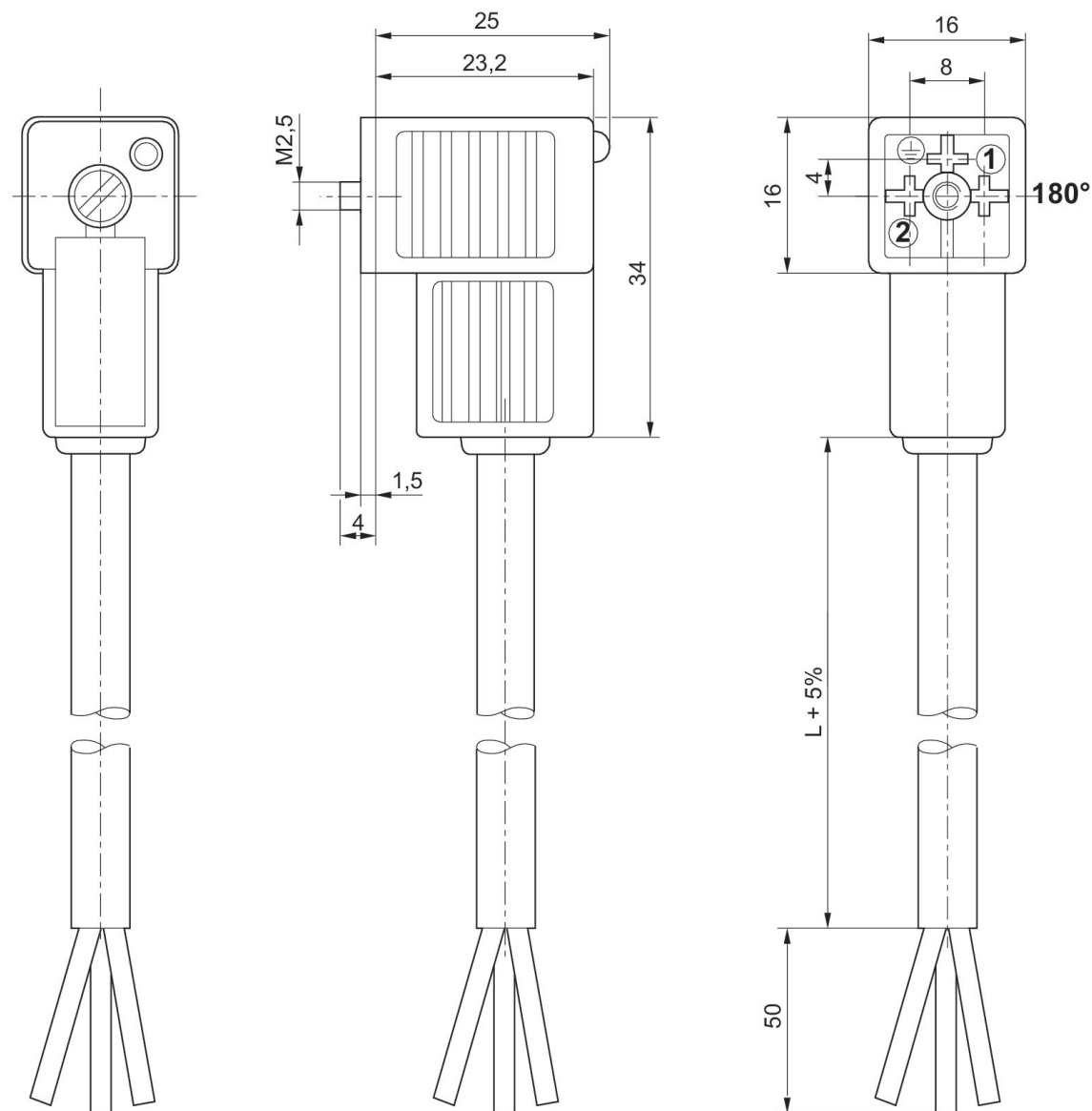
Valve plug connector with cable series CON-VP,, 180° female insert

Electrical connection 1: Socket ... form C ... 2+E
 Electrical connection 2: open cable ends ... 3-pin
 Protective circuit: Z-diode
 Ambient temperature min./max.: -20 °C ... 80 °C



	Operational voltage	Protective circuit	Max. current [A]	Contact assignment	LED status display	Cable-Ø [mm]	Cable length [m]	Part No.
	230 V AC/DC		6	2+E		5.9	3	1834484213
	230 V AC/DC		6	2+E		5.9	5	1834484215
	24 V AC/DC	Z-diode	6	2+E	Yellow	5.9	3	1834484205
	24 V AC/DC	Z-diode	6	2+E	Yellow	5.9	5	1834484207
	230 V AC/DC	Varistor	6	2+E	Yellow	5.9	3	1834484209
	230 V AC/DC	Varistor	6	2+E	Yellow	5.9	5	1834484211
	24 V AC/DC	Z-diode	6	2+E	Yellow	5.9	10	1834484236

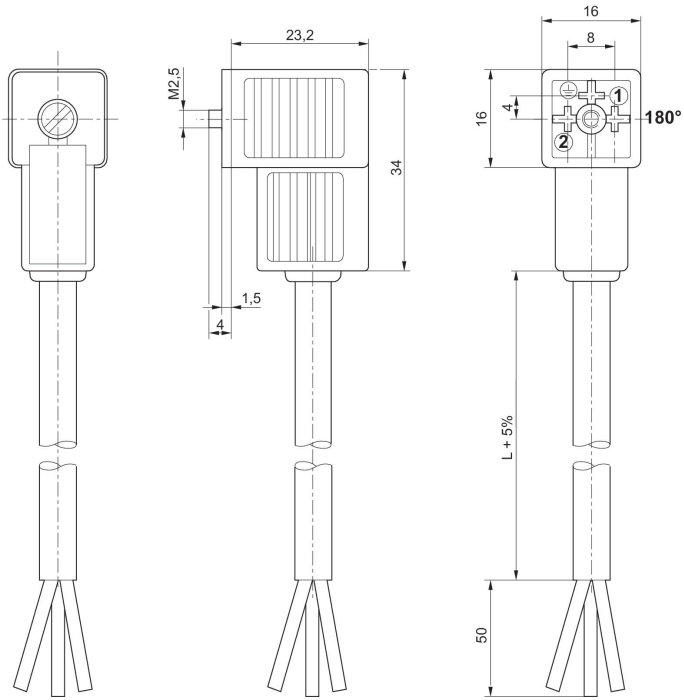
Dimensions



180° female insert

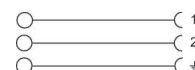
1834484213, 1834484215

Dimensions



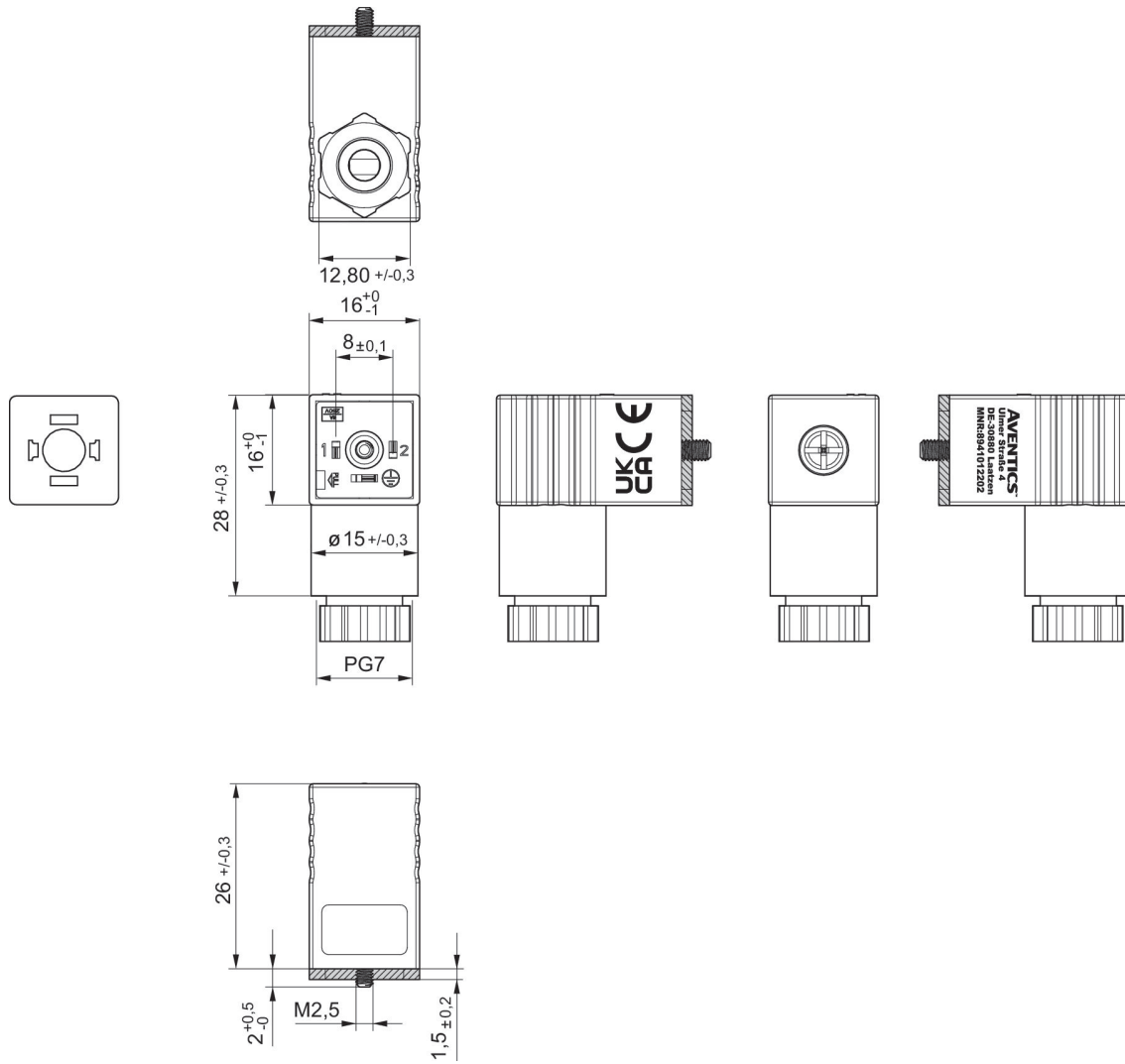
Valve plug connector, series CON-VP, form C, 300 V DC / 250 V AC

Electrical connection 1: EN 175301-803, form C
Ambient temperature min./max.: -40 °C ... 90 °C



Operational voltage	Max. current [A]	Contact assignment	min. suitable cable Ø [mm]	max. suitable cable Ø [mm]	Part No.
300 V DC / 250 V AC	6	2+E	4	6	8941012202

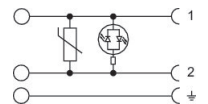
Dimensions



Profile seal

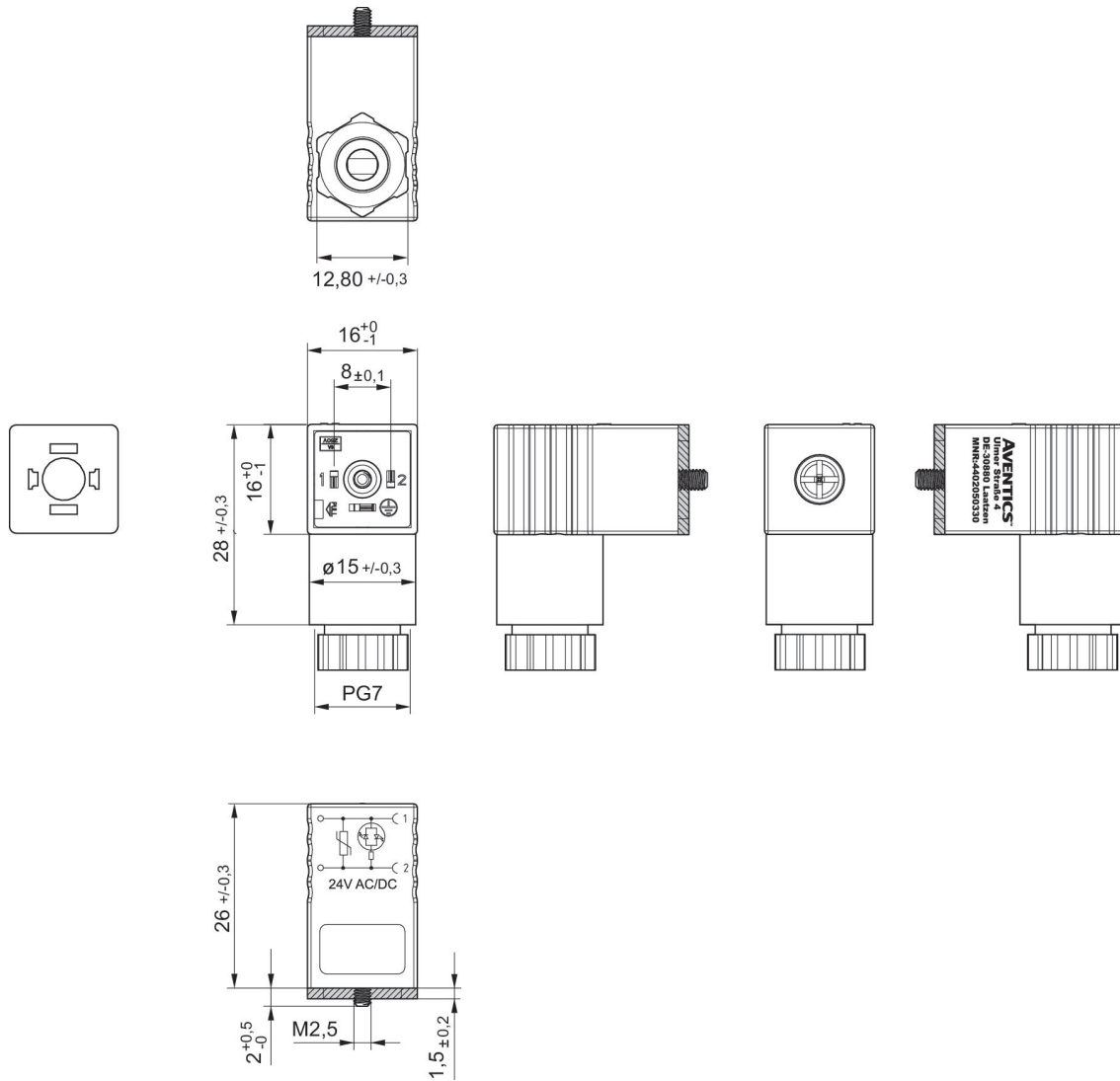
Valve plug connector, series CON-VP, form C, 24 V AC/DC

Electrical connection 1: EN 175301-803, form C
Ambient temperature min./max.: -40 °C ... 90 °C



Operational voltage	Protective circuit	Max. current [A]	Contact assignment	LED status display	min. suitable cable Ø [mm]	max. suitable cable Ø [mm]	Part No.
24 V AC/DC	Varistor	1.5	2+E	Green	4	6	4402050330

Dimensions



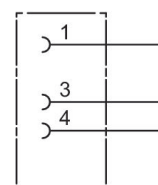
Profile seal

Round plug connector, Series CON-RD

Electrical connection 1: Socket ... M8x1 ... 3-pin ... straight

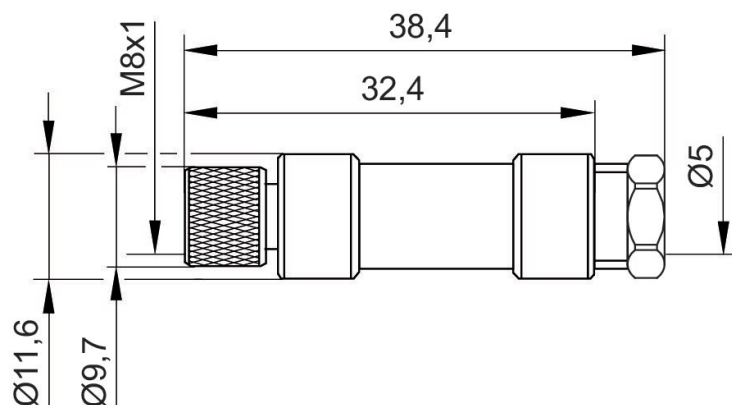
Connection type: Soldering

Ambient temperature min./max.: -25 °C ... 80 °C



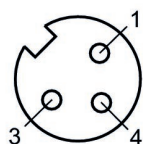
Operational voltage	Coding	Shielding	Connection type	Max. current [A]	min. suitable cable Ø [mm]	max. suitable cable Ø [mm]	Part No.
48 V AC/DC	A-coded	unshielded	Soldering	4	3.5	5	1834484173

Dimensions



1834484173

Pin assignment, socket

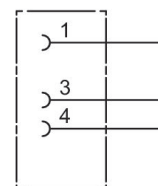


Round plug connector, Series CON-RD

Electrical connection 1: Socket ... M8x1 ... 3-pin ... angled

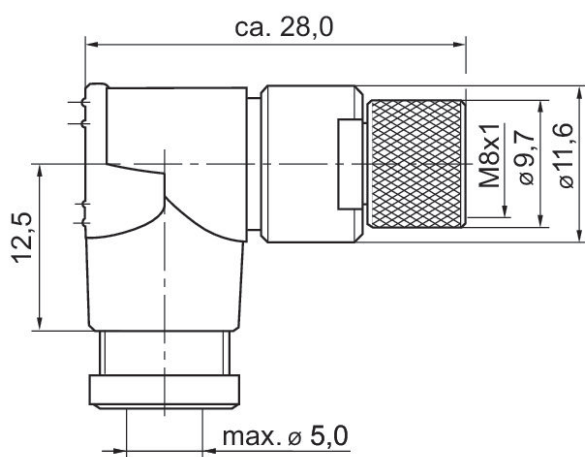
Connection type: Soldering

Ambient temperature min./max.: -25 °C ... 80 °C



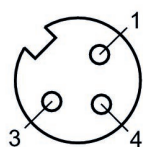
Operational voltage	Coding	Shielding	Connection type	Max. current [A]	min. suitable cable Ø [mm]	max. suitable cable Ø [mm]	Part No.
48 V AC/DC	A-coded	unshielded	Soldering	4	3.5	5	1834484174

Dimensions in mm



1834484174

Pin assignment, socket



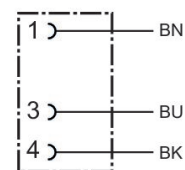
Round plug connector, Series CON-RD

Electrical connection 1: Socket ... M8x1 ... 3-pin ... straight

Electrical connection 2: open cable ends ... 3-pin

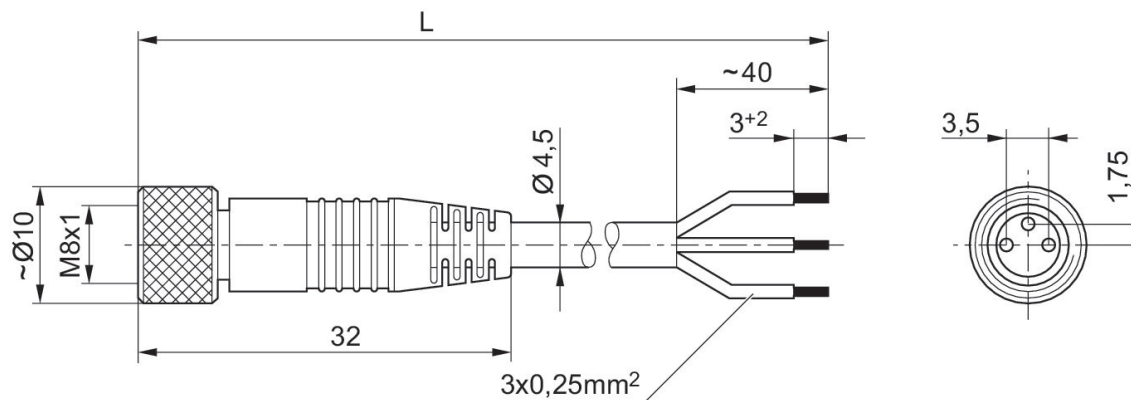
Certification: UL (Underwriters Laboratories)

Ambient temperature min./max.: -25 °C ... 85 °C



Operational voltage	Electrical connection 1, type	Electrical connection 1, thread size	Electrical connection 1, number of poles	Electrical connection 1, coding	Electrical connection 2, type	Electrical connection 2, number of poles	Cable length [m]	Part No.
48 V AC/DC	Socket	M8x1	3-pin	A-coded	open cable ends	3-pin	3	1834484166
48 V AC/DC	Socket	M8x1	3-pin	A-coded	open cable ends	3-pin	5	1834484168
48 V AC/DC	Socket	M8x1	3-pin	A-coded	open cable ends	3-pin	10	1834484247

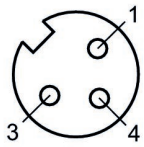
Dimensions



L = length

1834484166, 1834484168, 1834484247

Pin assignment, socket



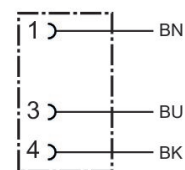
(1) BN=brown (3) BU=blue (4) BK=black

Round plug connector, Series CON-RD

Electrical connection 1: Socket ... M8x1 ... 3-pin ... angled

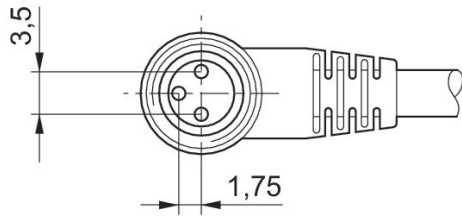
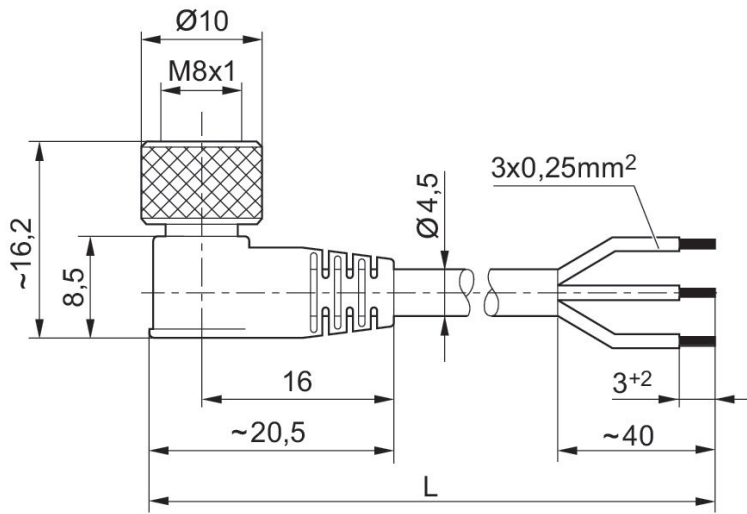
Electrical connection 2: open cable ends ... 3-pin

Ambient temperature min./max.: -40 °C ... 85 °C



Operational voltage	Electrical connection 1, type	Electrical connection 1, thread size	Electrical connection 1, number of poles	Electrical connection 1, coding	Electrical connection 2, type	Electrical connection 2, number of poles	Cable length [m]	Part No.
48 V AC/DC	Socket	M8x1	3-pin	A-coded	open cable ends	3-pin	3	1834484167
48 V AC/DC	Socket	M8x1	3-pin	A-coded	open cable ends	3-pin	5	1834484169
48 V AC/DC	Socket	M8x1	3-pin	A-coded	open cable ends	3-pin	10	1834484248

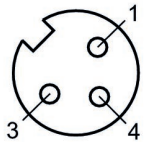
Dimensions



L = length

1834484167, 1834484169, 1834484248

Pin assignment, socket



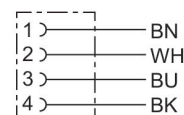
(1) BN=brown (3) BU=blue (4) BK=black

Round plug connector, Series CON-RD, open cable ends, straight, 4-pin

Electrical connection 1: Socket ... M8x1 ... 4-pin ... straight

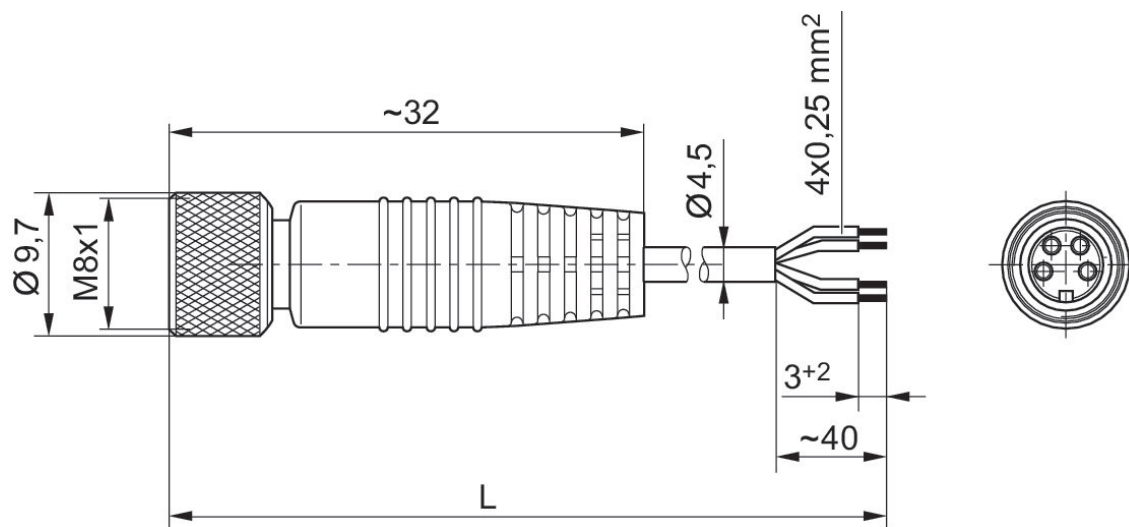
Electrical connection 2: open cable ends ... 4-pin

Ambient temperature min./max.: -40 °C ... 85 °C



Operational voltage	Electrical connection 1, type	Electrical connection 1, thread size	Electrical connection 1, number of poles	Electrical connection 1, coding	Electrical connection 2, type	Electrical connection 2, number of poles	Cable length [m]	Part No.
48 V AC/DC	Socket	M8x1	4-pin	A-coded	open cable ends	4-pin	3	1834484144
48 V AC/DC	Socket	M8x1	4-pin	A-coded	open cable ends	4-pin	5	1834484146

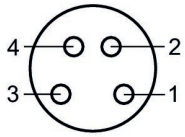
Dimensions



L = length

1834484144, 1834484146

Pin assignment, socket



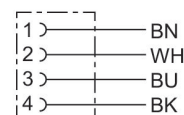
(1) BN=brown (2) WH=white (3) BU=blue (4) BK=black

Round plug connector, Series CON-RD, Plug M8x1, 4-pin

Electrical connection 1: Socket ... M8x1 ... 4-pin ... angled

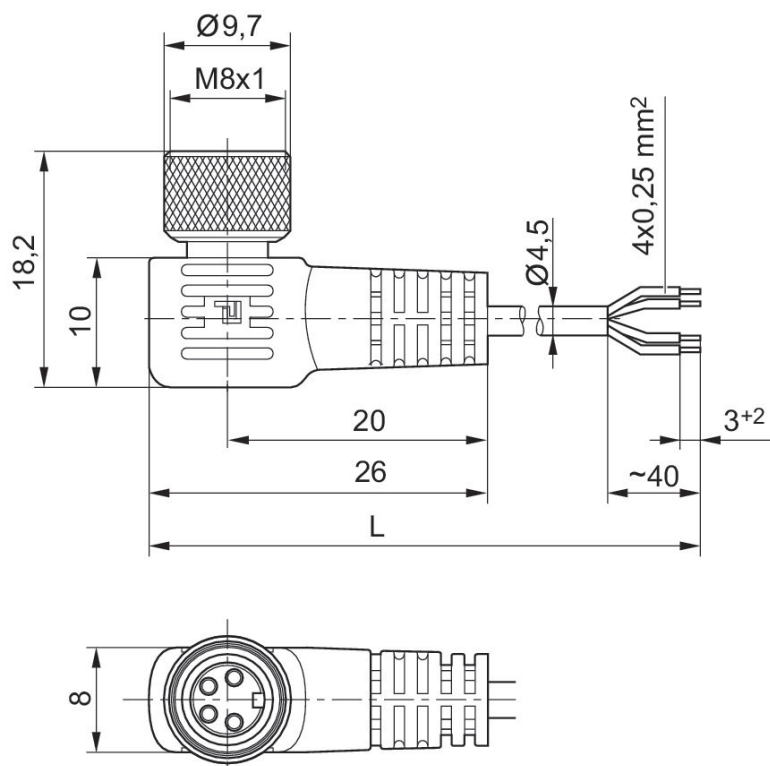
Electrical connection 2: open cable ends ... 4-pin

Ambient temperature min./max.: -40 °C ... 85 °C



Operational voltage	Electrical connection 1, type	Electrical connection 1, thread size	Electrical connection 1, number of poles	Electrical connection 1, coding	Electrical connection 2, type	Electrical connection 2, number of poles	Cable length [m]	Part No.
48 V AC/DC	Socket	M8x1	4-pin	A-coded	open cable ends	4-pin	3	1834484145
48 V AC/DC	Socket	M8x1	4-pin	A-coded	open cable ends	4-pin	5	1834484147

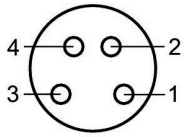
Dimensions in mm



L = length

1834484145, 1834484147

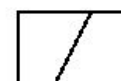
Pin assignment, socket



(1) BN=brown (2) WH=white (3) BU=blue (4) BK=black

Coil, Series CO1

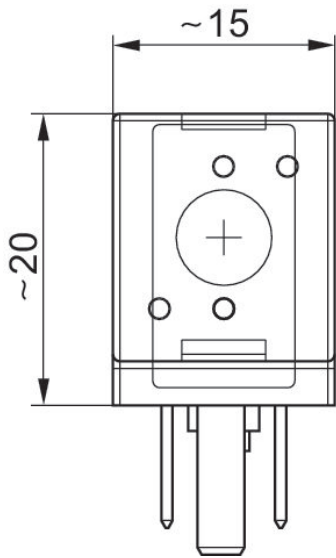
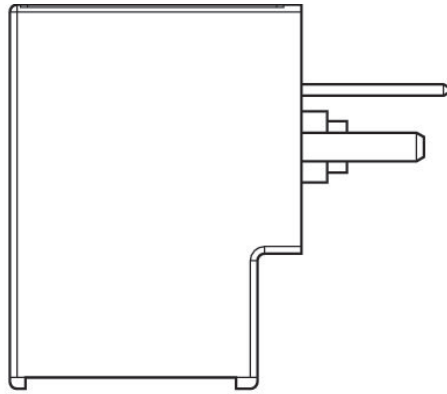
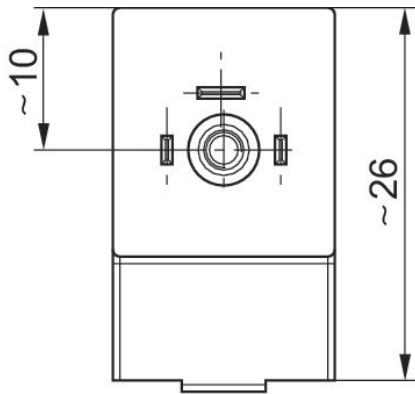
Coil width: 15 mm
Electrical connection 2, number of poles: 3-pin
Duty cycle: 100 %
Ambient temperature min./max.: -10 °C ... 50 °C



Operational voltage DC	Number of poles	Operational voltage AC at 50 Hz	Operational voltage AC at 60 Hz	Voltage tolerance DC	Voltage tolerance AC 50 Hz	Voltage tolerance AC 60 Hz	Power consumption DC [W]	Part No.
	3-pin	110 V	110 V		-10 % / +10 %	-10 % / +10 %		R422101598
	3-pin	230 V	230 V		-10 % / +10 %	-10 % / +10 %		R422101599
24 V	3-pin			-10 % / +10 %			2	R422101600
	3-pin	24 V	24 V		-10 % / +10 %	-10 % / +10 %		R422101601
12 V	3-pin			-10 % / +10 %			2	R422101602

Holding power AC 50 Hz [VA]	Switch-on power AC 50 Hz [VA]	Part No.
1.6	2.2	R422101598
1.6	2.2	R422101599
		R422101600
1.6	2.2	R422101601
		R422101602

Dimensions



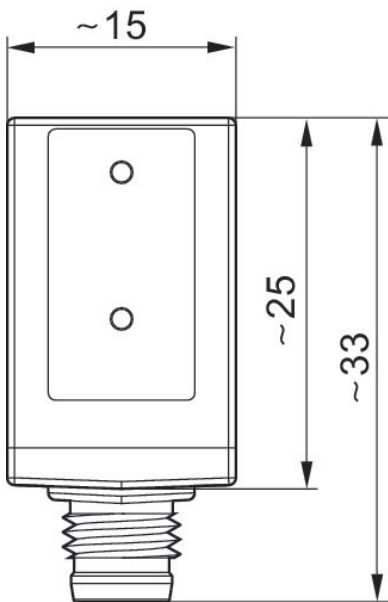
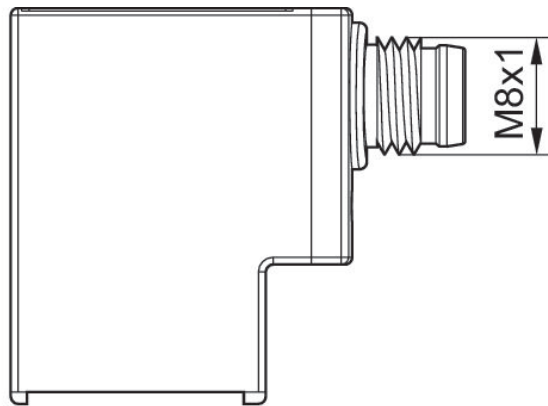
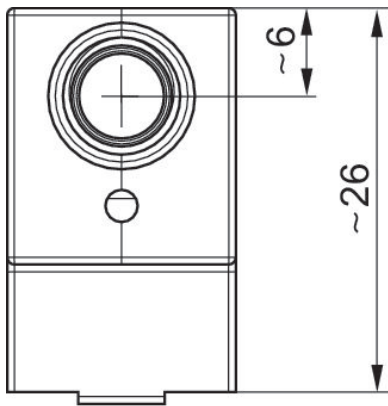
Coil, Series CO1

Coil width: 15 mm
 Electrical connection 2, thread size: M8x1
 Duty cycle: 100 %
 Ambient temperature min./max.: -10 °C ... 50 °C



Operational voltage DC	Number of poles	Voltage tolerance DC	Power consumption DC [W]	Part No.
24 V	4-pin	-10 % / +10 %	2.2	R422101603
24 V	3-pin	-10 % / +10 %	2.2	R422101604

Dimensions

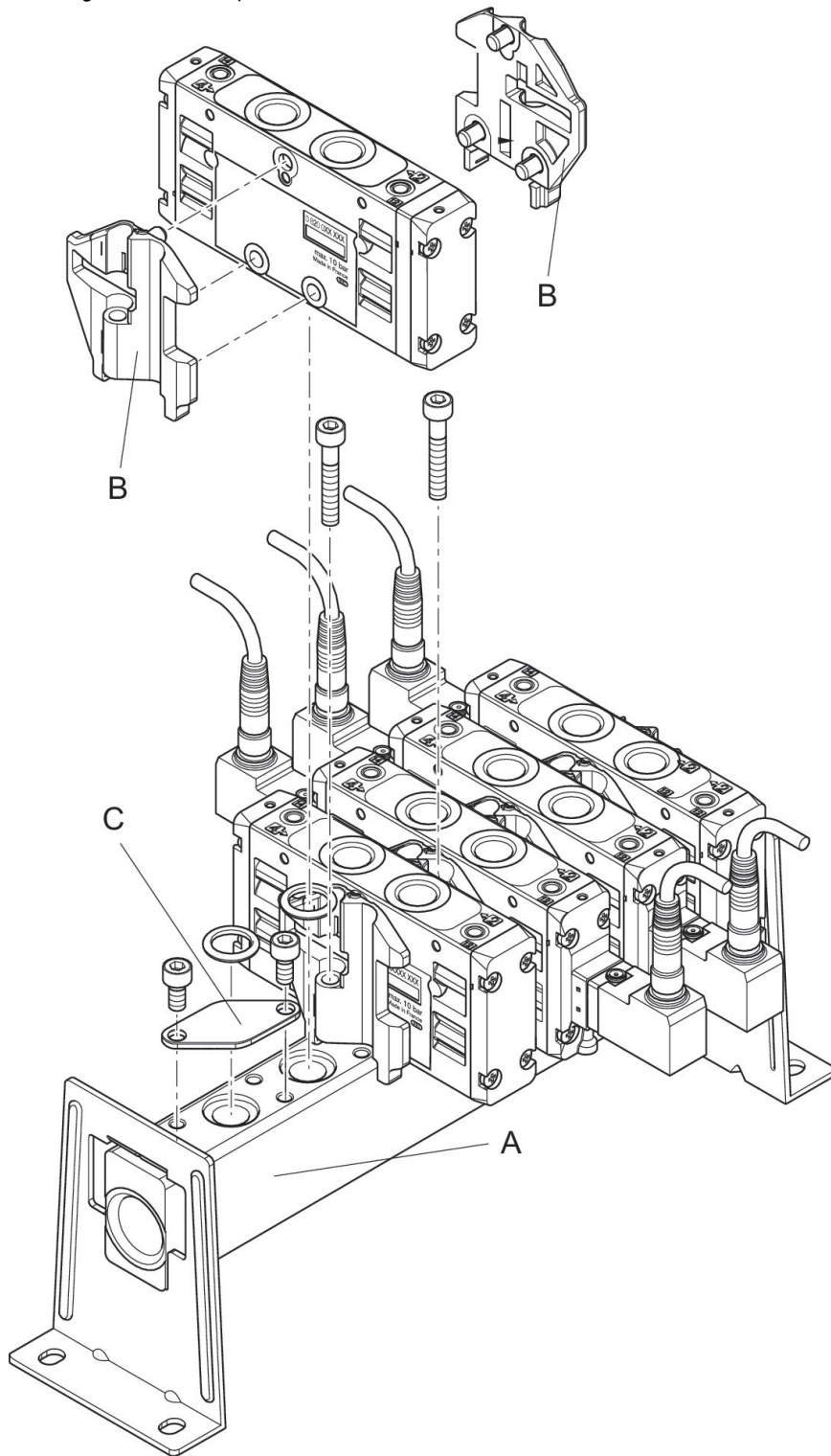


Manifold strip, Series TC08



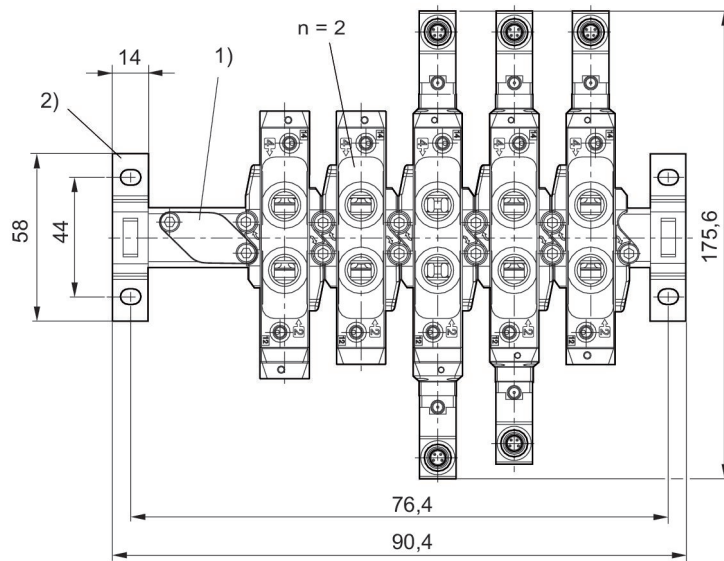
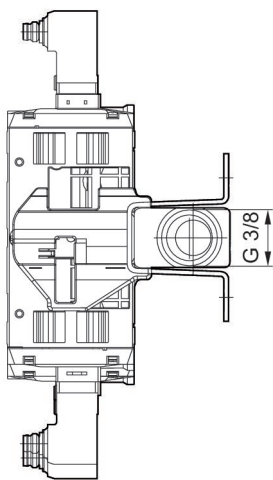
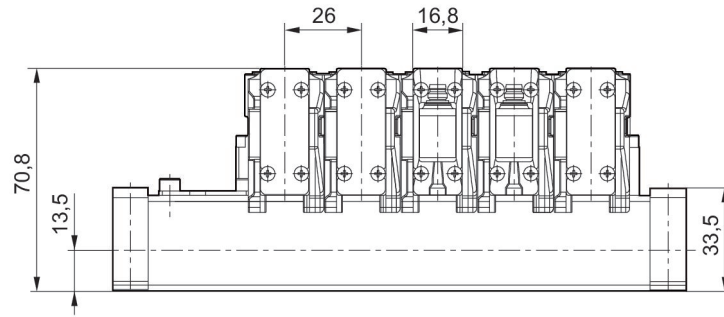
Type	Min. ambient temperature [°C]	Max. ambient temperature [°C]	Max. number of valve positions	Part No.
Manifold strip	-10	50	2	R422000931

Mounting on manifold strip



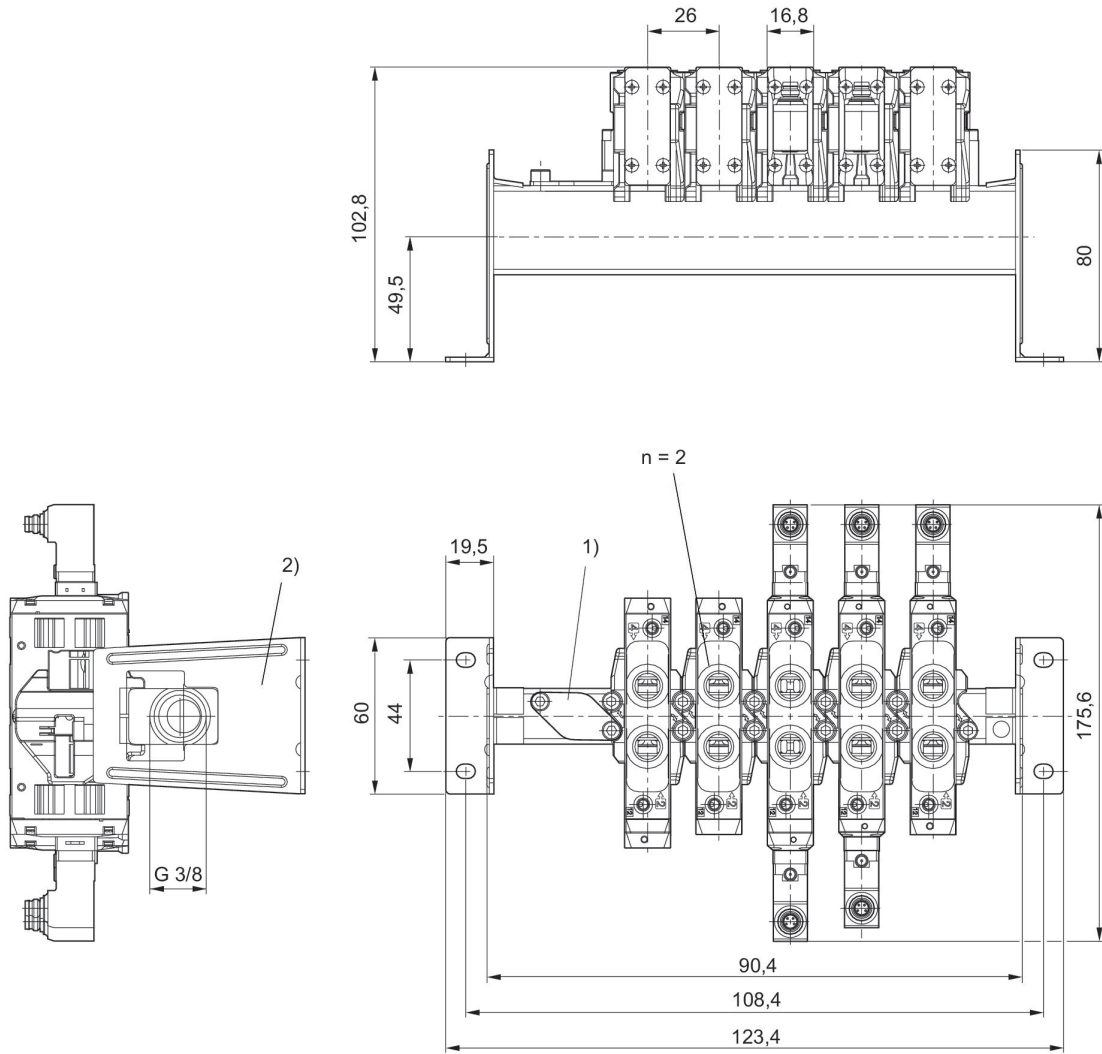
The following must be ordered to mount the valves: manifold strip A, mounting kit B (R422000937), blanking plate C (R422000939)

Dimensions in mm
p-strip with support bracket



- 1) Blanking plate
 - 2) Please order mounting clip 1821332049 separately.
- n = number of valve positions

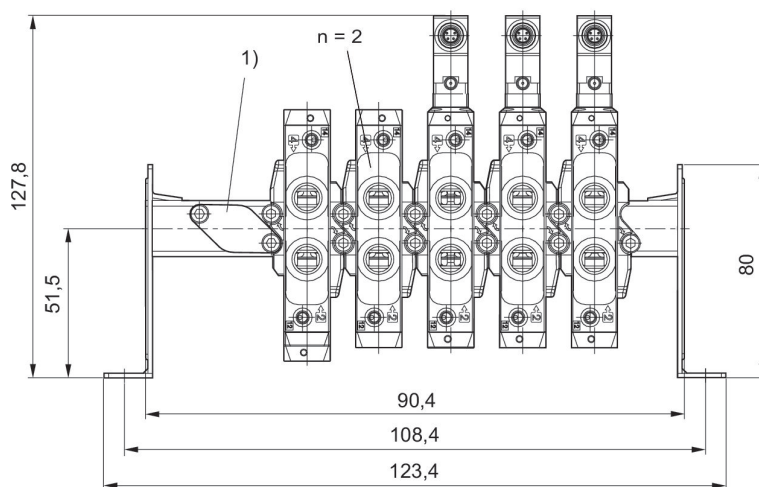
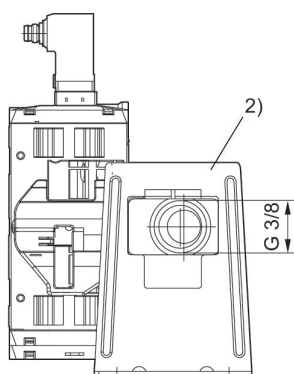
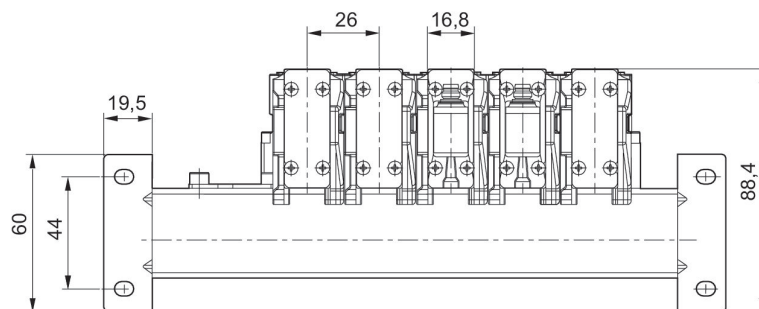
Dimensions in mm
P strip with mounting bracket, horizontal installation



- 1) Blanking plate
 - 2) Please order mounting bracket 1821332048 separately.
- n = number of valve positions

Dimensions in mm

P strip with mounting bracket, vertical installation



1) Blanking plate

2) Please order mounting bracket 1821332048 separately.

n = number of valve positions

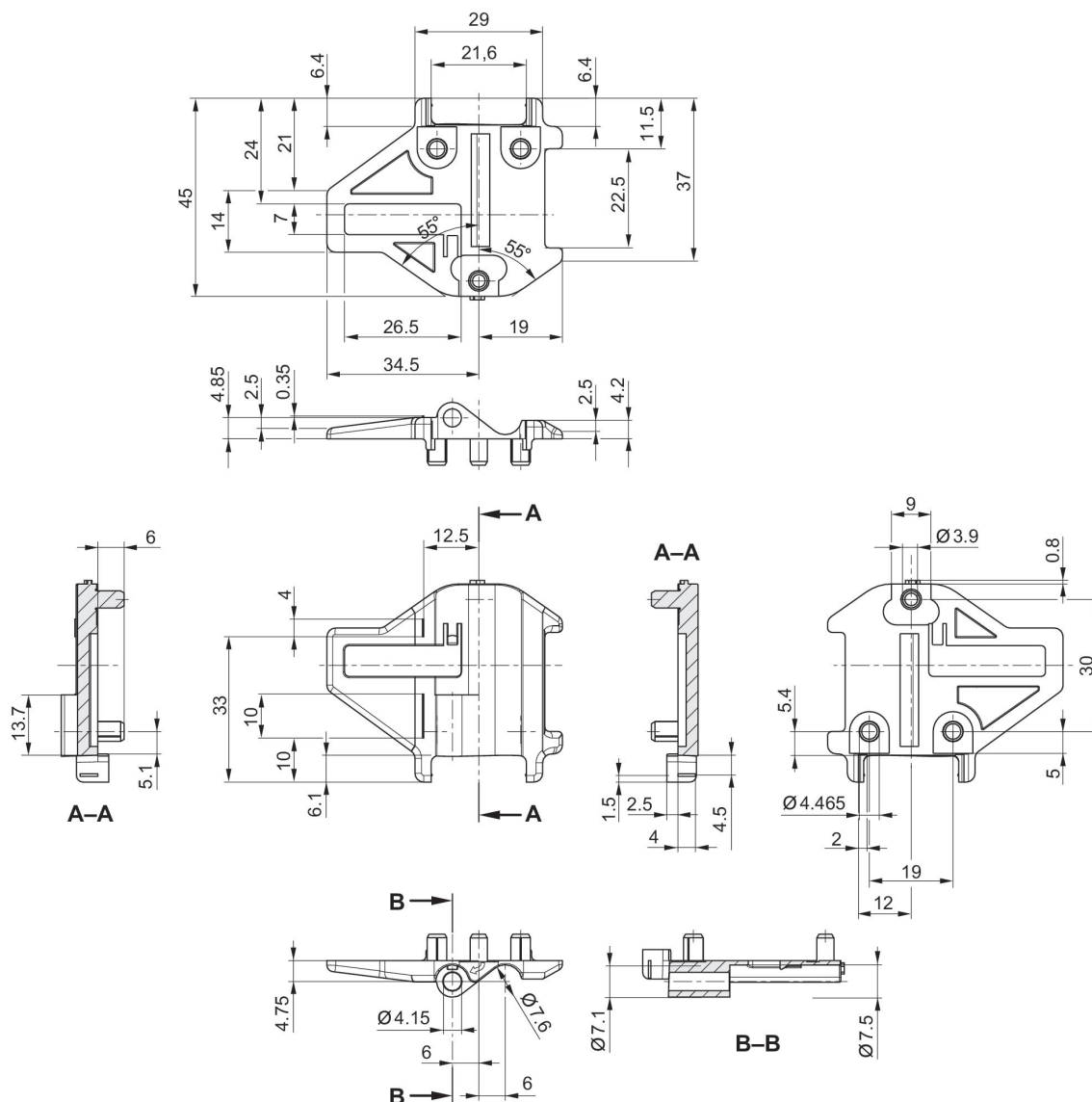
Vertical installation not possible with 5/2 directional valves, electrically operated on each side and 5/3 directional valves, electrically operated.

Mounting kit, TC08 series



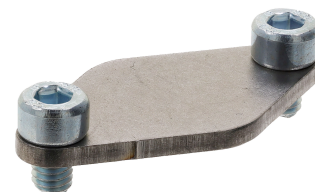
Type	Weight [kg]	Part No.
Mounting kit	0.13	R422000937

Dimensions in mm



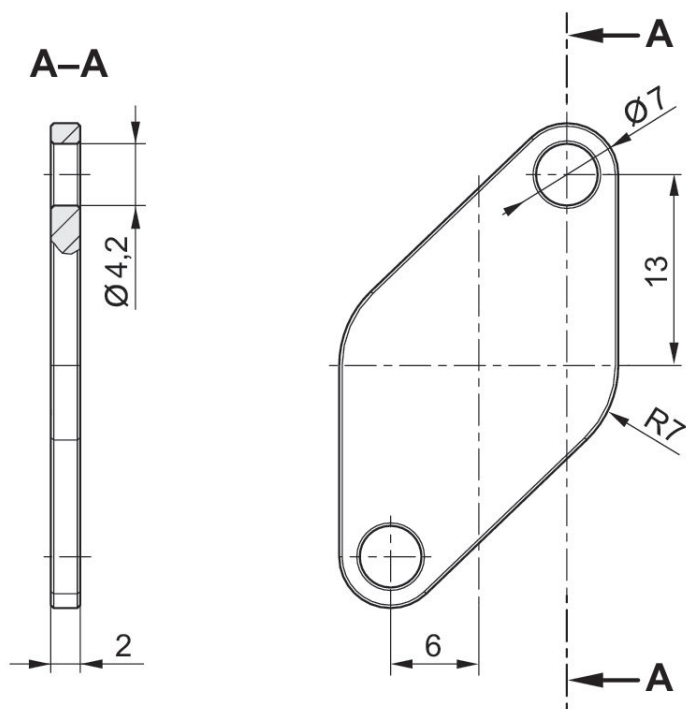
Scope of delivery incl. seal and mounting screws

Blanking plate, TC08 series



Material	Part No.
Galvanized Steel	R422000939

Dimensions in mm



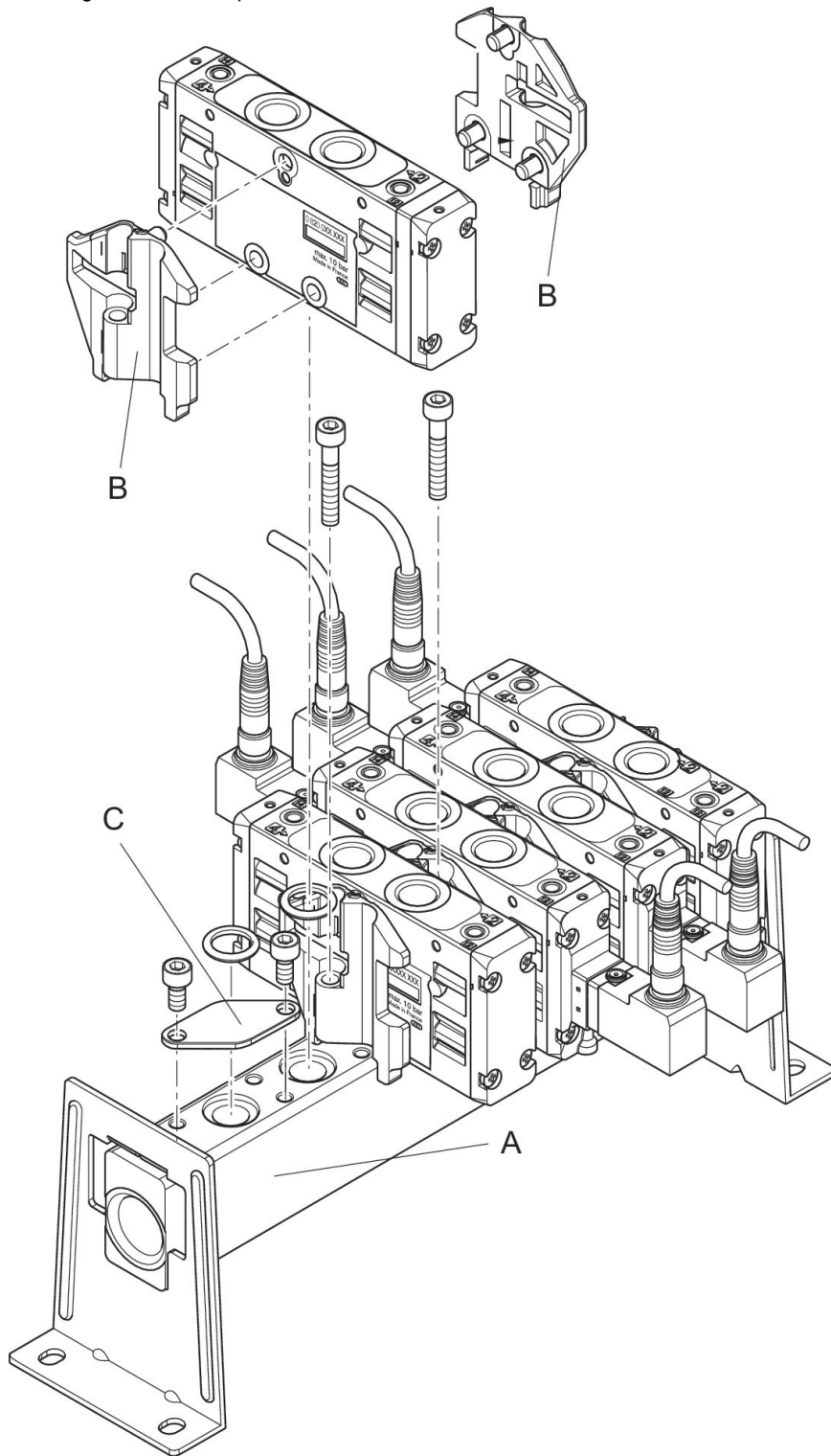
Scope of delivery incl. 2 mounting screws, 1 x O-ring

Manifold strip, Series TC08



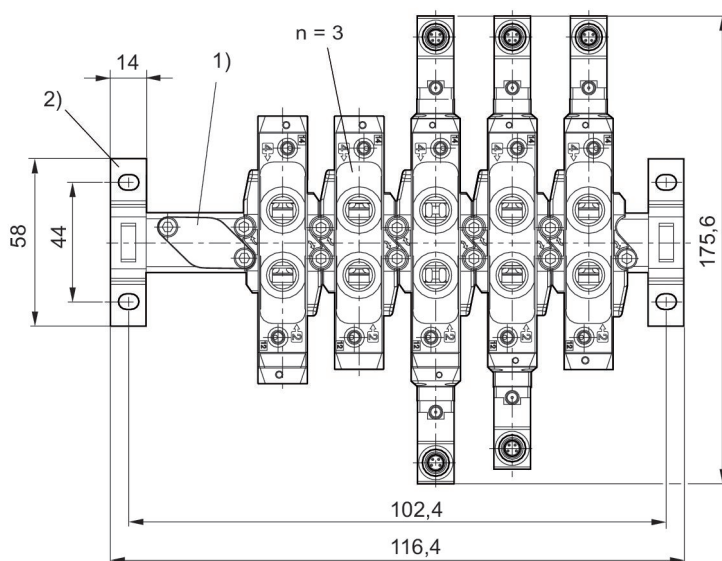
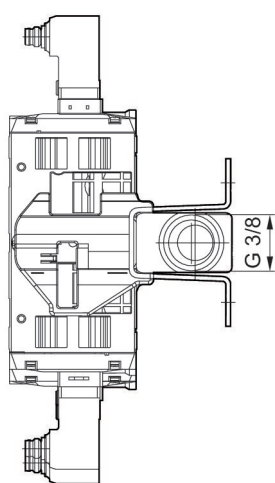
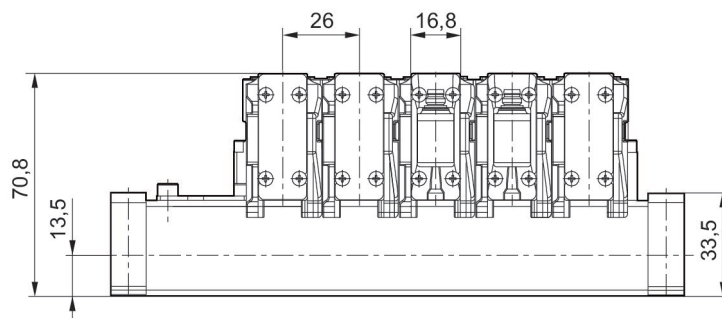
Type	Min. ambient temperature [°C]	Max. ambient temperature [°C]	Max. number of valve positions	Part No.
Manifold strip	-10	50	3	R422000932

Mounting on manifold strip



The following must be ordered to mount the valves: manifold strip A, mounting kit B (R422000937), blanking plate C (R422000939)

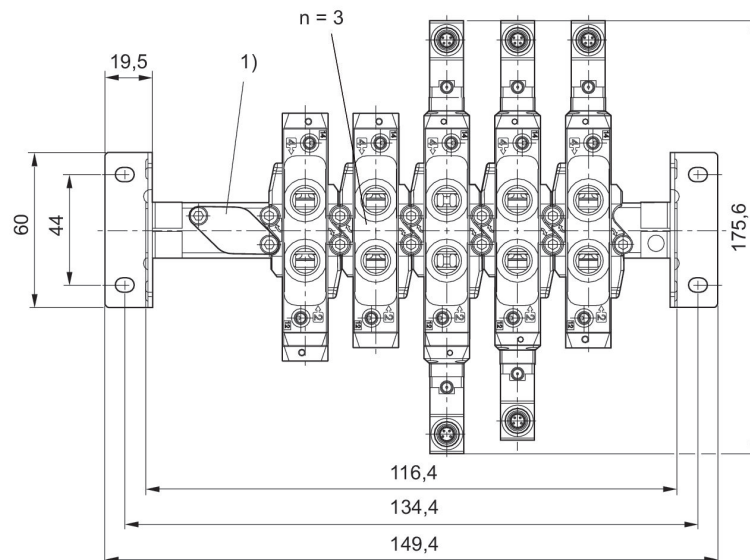
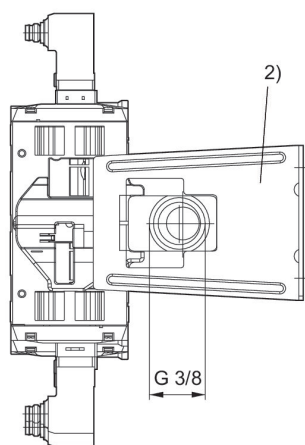
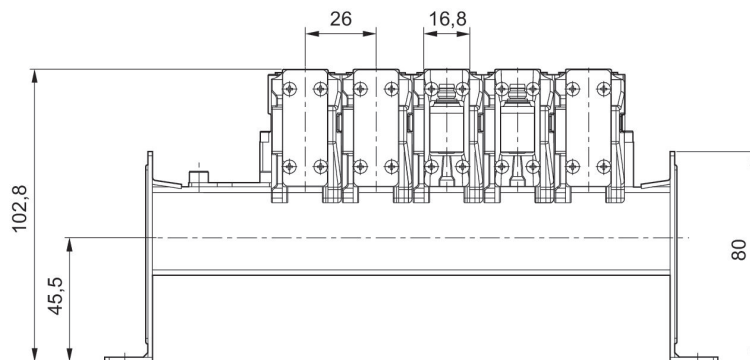
Dimensions in mm
p-strip with support bracket



- 1) Blanking plate
 - 2) Please order mounting clip 1821332049 separately.
- n = number of valve positions

Dimensions in mm

P strip with mounting bracket, horizontal installation



1) Blanking plate

2) Please order mounting bracket 1821332048 separately.

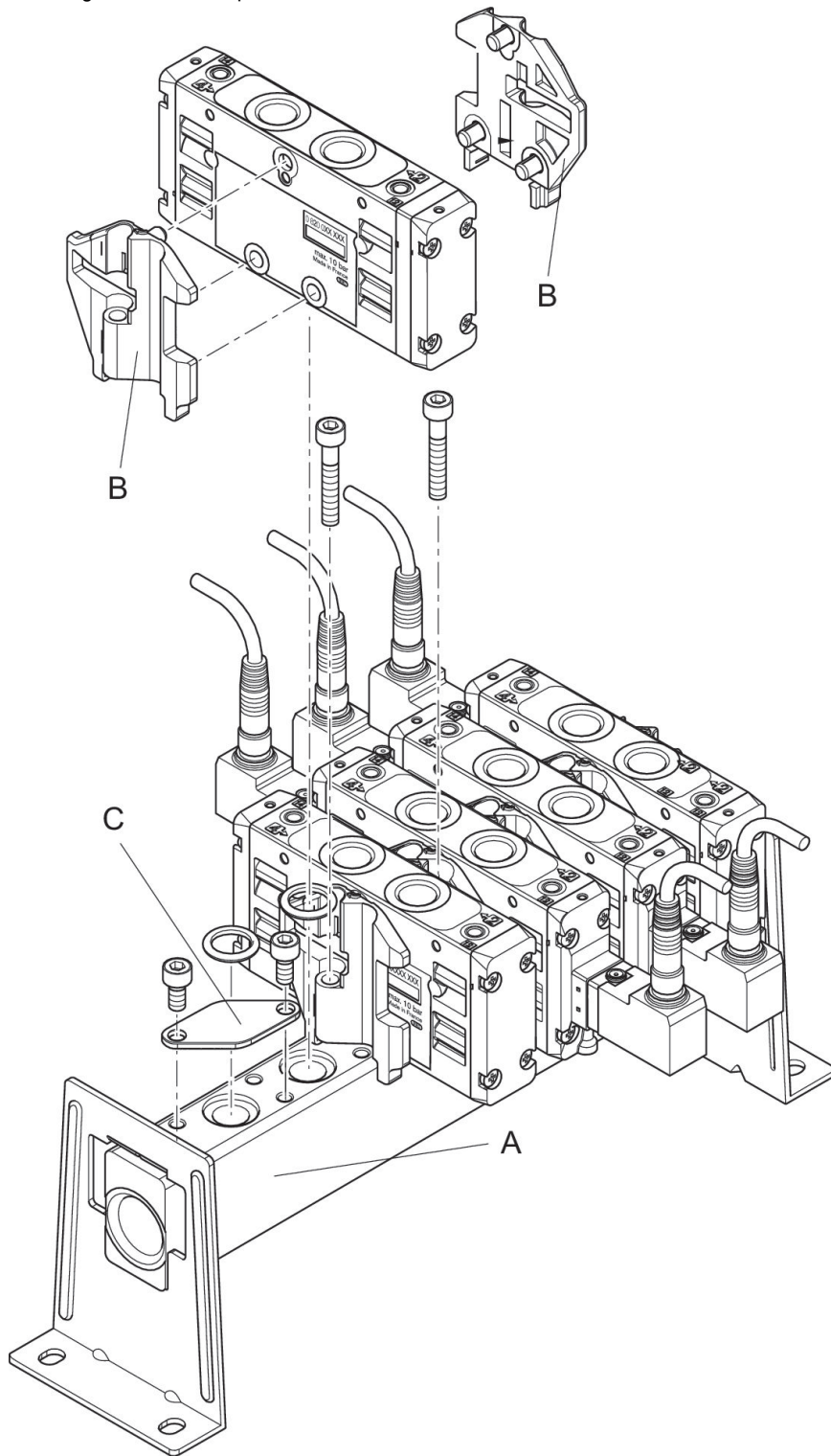
n = number of valve positions

Manifold strip, Series TC08



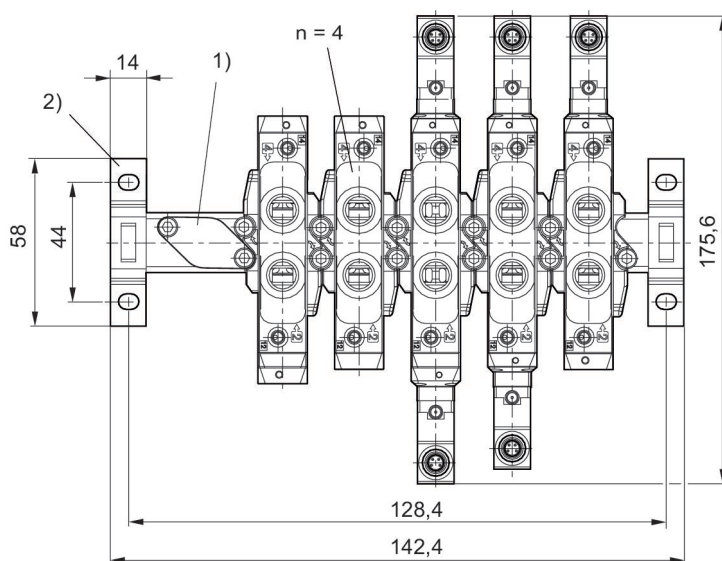
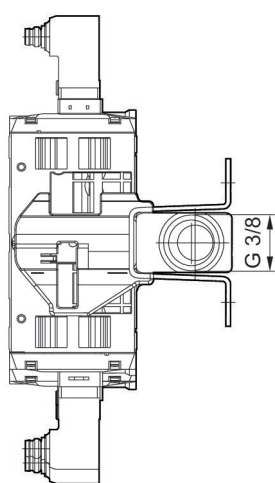
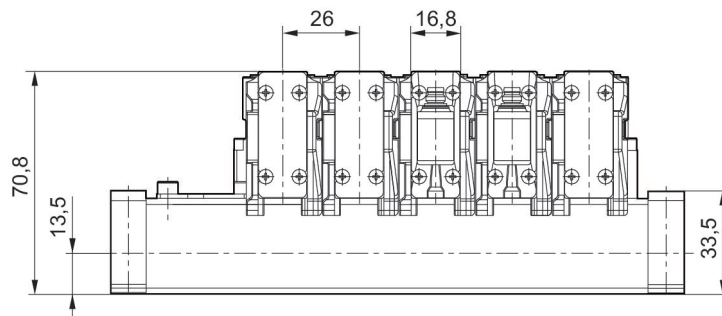
Type	Min. ambient temperature [°C]	Max. ambient temperature [°C]	Max. number of valve positions	Part No.
Manifold strip	-10	50	4	R422000933

Mounting on manifold strip



The following must be ordered to mount the valves: manifold strip A, mounting kit B (R422000937), blanking plate C (R422000939)

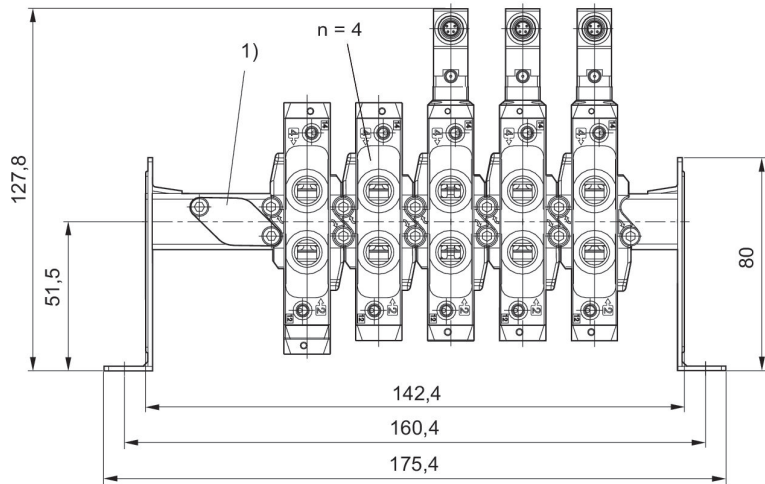
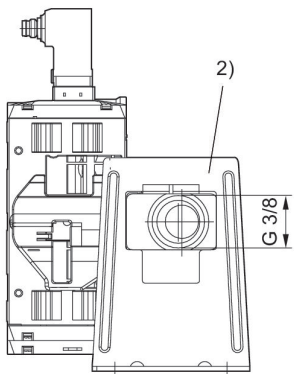
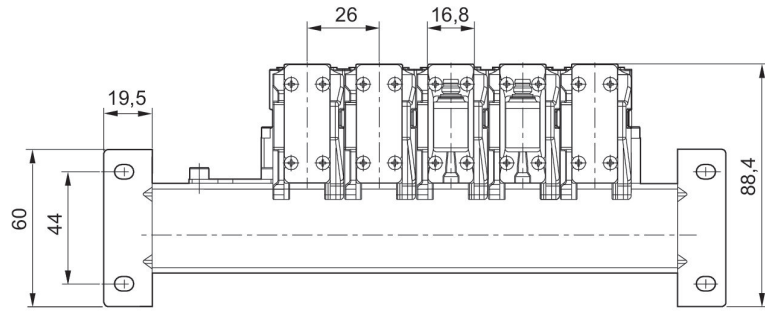
Dimensions in mm
p-strip with support bracket



- 1) Blanking plate
 - 2) Please order mounting clip 1821332049 separately.
- n = number of valve positions

Dimensions in mm

P strip with mounting bracket, vertical installation



1) Blanking plate

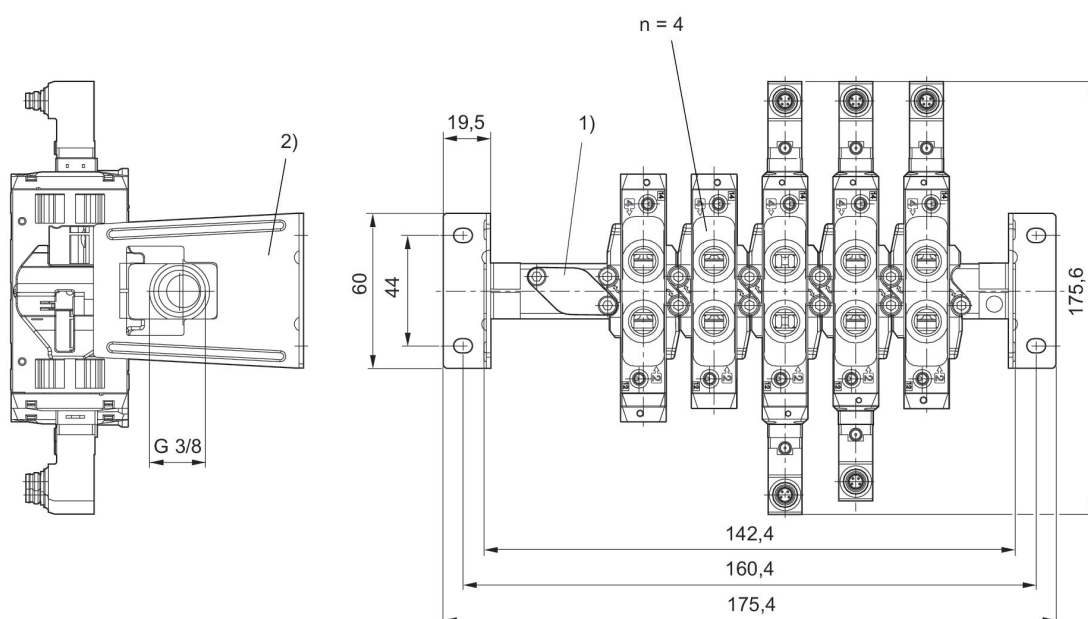
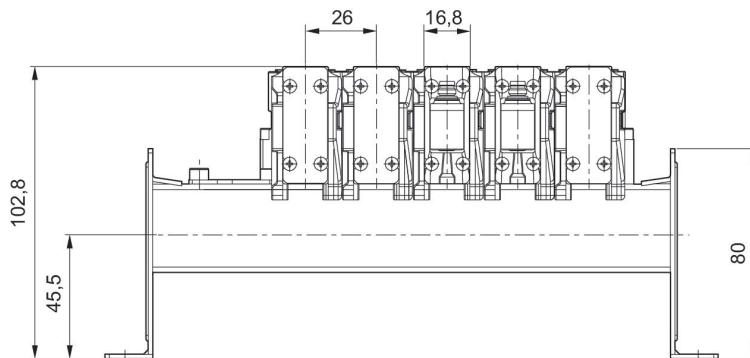
2) Please order mounting bracket 1821332048 separately.

n = number of valve positions

Vertical installation not possible with 5/2 directional valves, electrically operated on each side and 5/3 directional valves, electrically operated.

Dimensions in mm

P strip with mounting bracket, horizontal installation

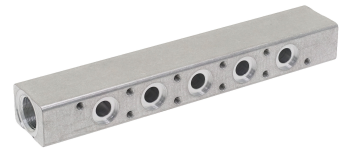


1) Blanking plate

2) Please order mounting bracket 1821332048 separately.

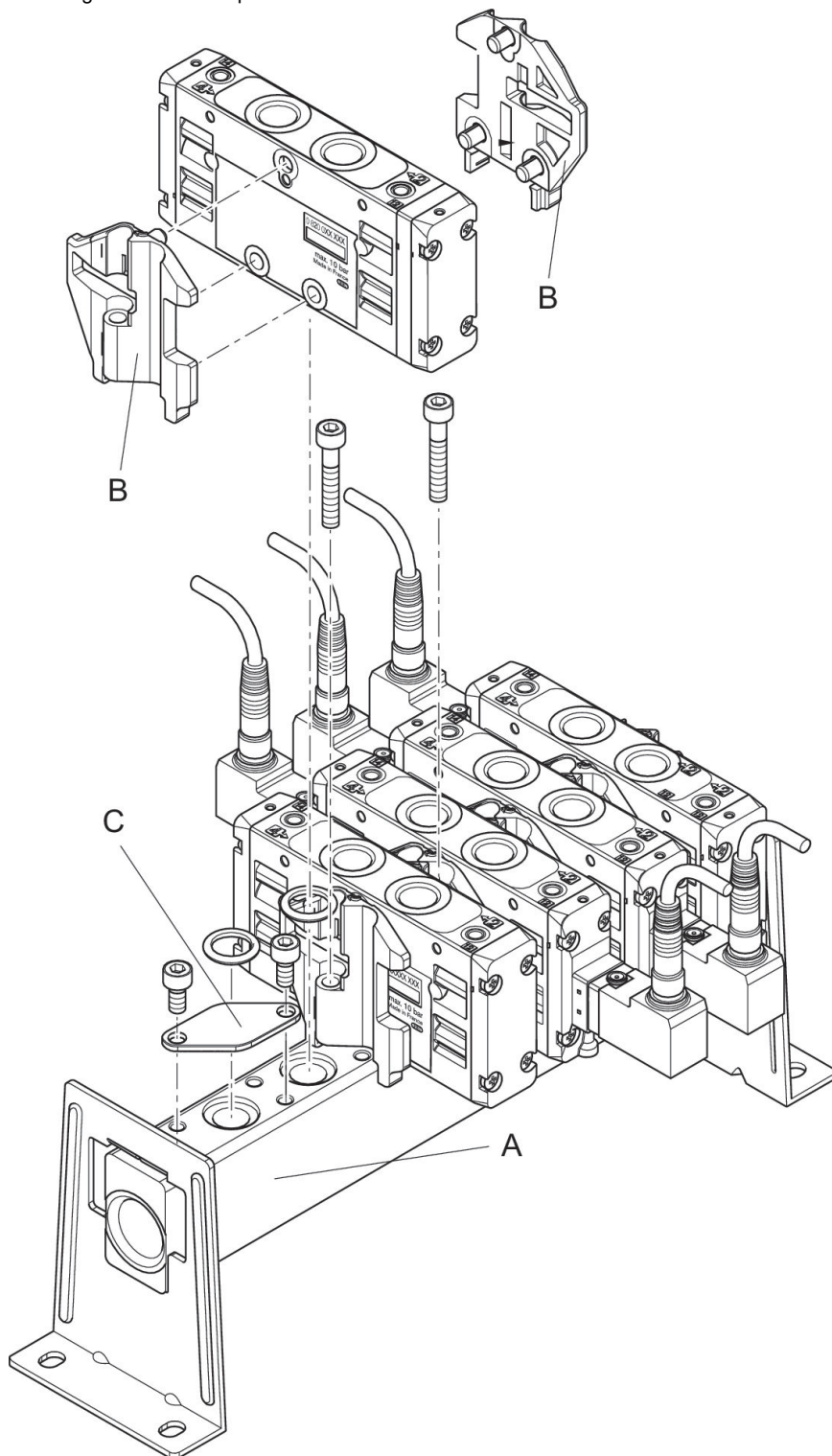
n = number of valve positions

Manifold strip, Series TC08



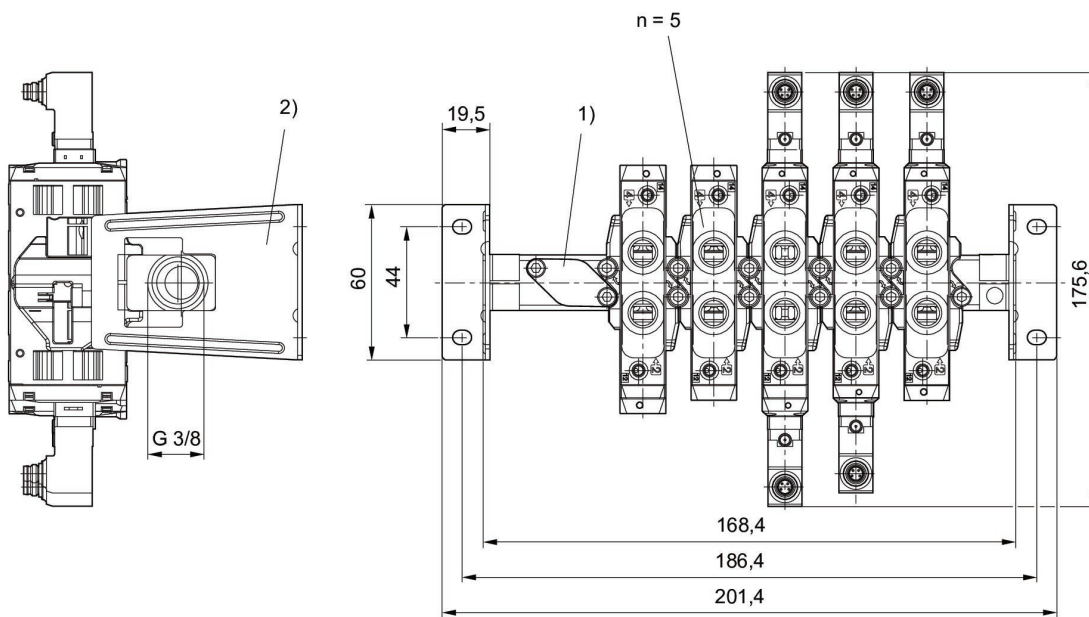
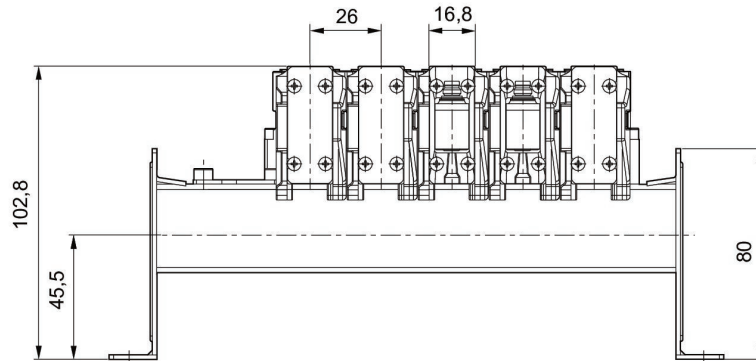
Type	Min. ambient temperature [°C]	Max. ambient temperature [°C]	Max. number of valve positions	Part No.
Manifold strip	-10	50	5	R422000934

Mounting on manifold strip



The following must be ordered to mount the valves: manifold strip A, mounting kit B (R422000937), blanking plate C (R422000939)

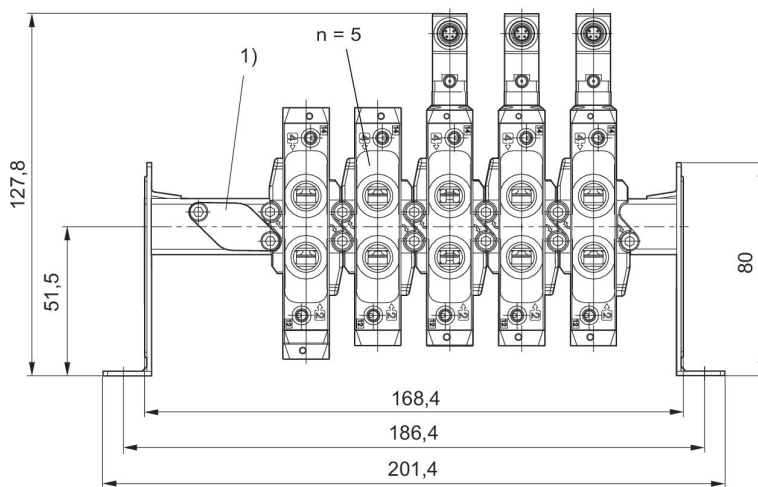
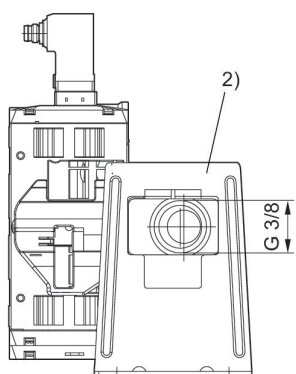
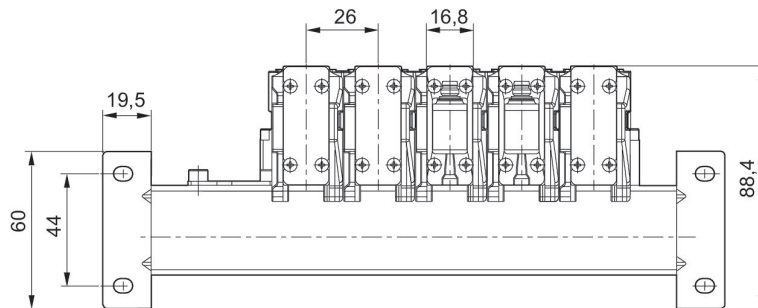
Dimensions in mm
P strip with mounting bracket, horizontal installation



- 1) Blanking plate
 - 2) Please order mounting bracket 1821332048 separately.
- n = number of valve positions

Dimensions in mm

P strip with mounting bracket, vertical installation



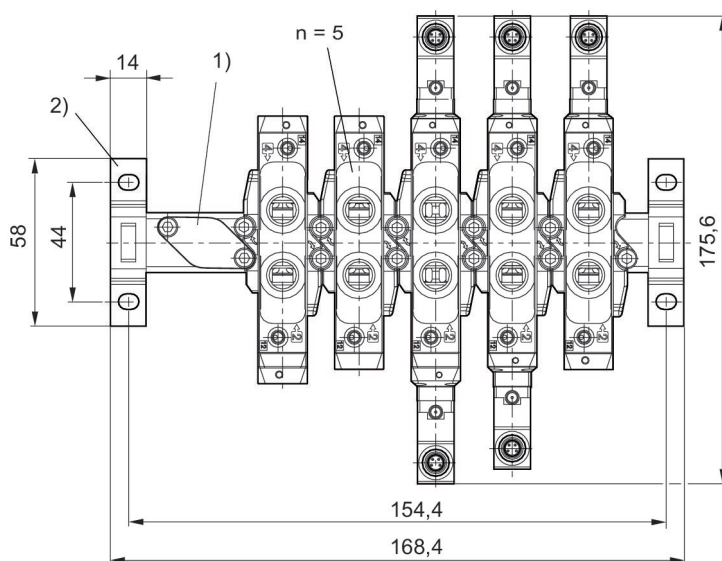
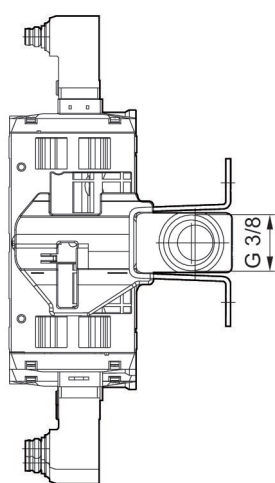
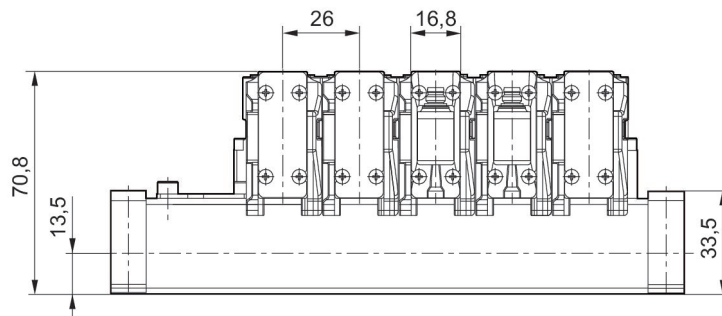
1) Blanking plate

2) Please order mounting bracket 1821332048 separately.

n = number of valve positions

Vertical installation not possible with 5/2 directional valves, electrically operated on each side and 5/3 directional valves, electrically operated.

Dimensions in mm
p-strip with support bracket



- 1) Blanking plate
- 2) Please order mounting clip 1821332049 separately.

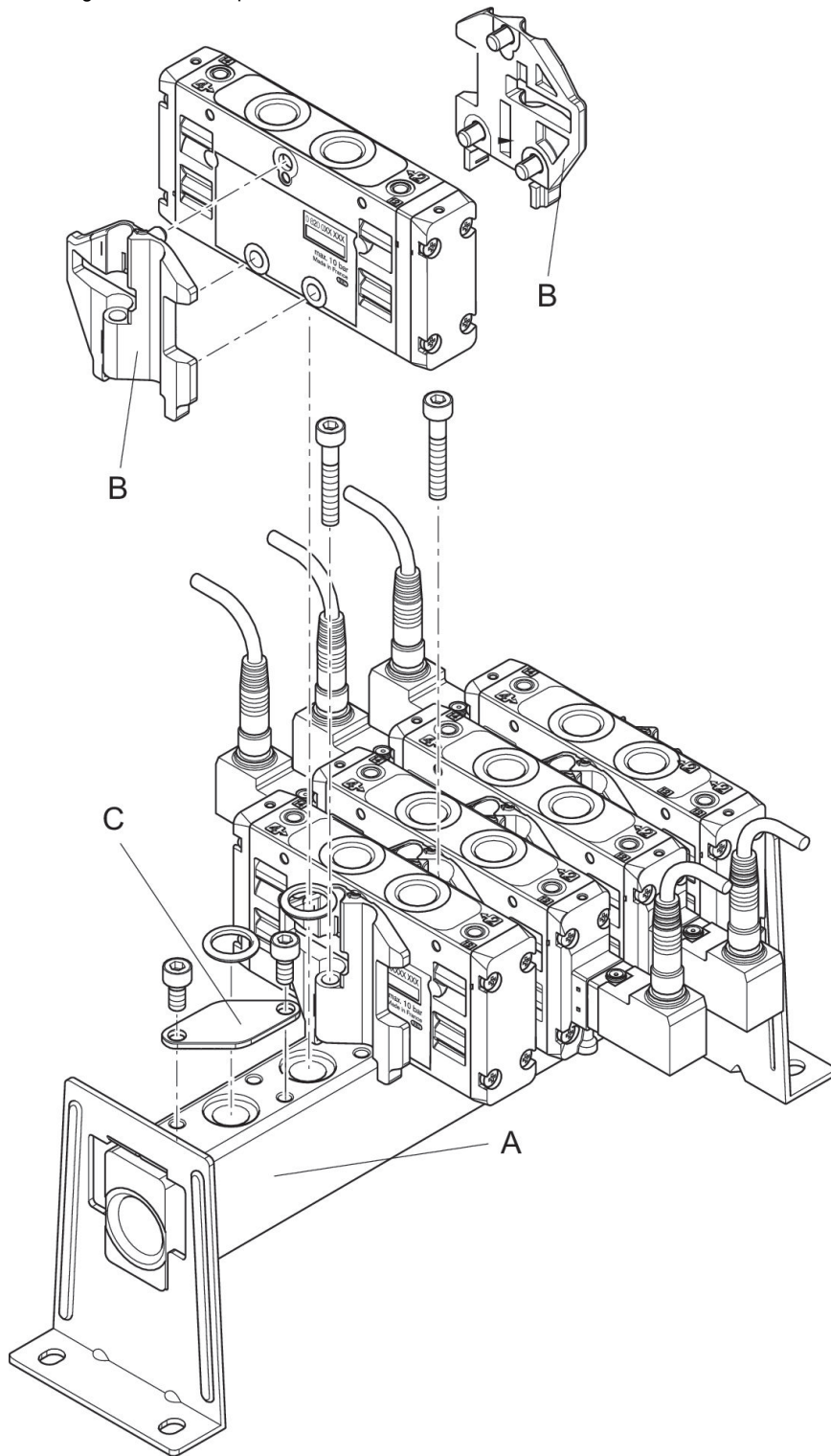
n = number of valve positions

Manifold strip, Series TC08



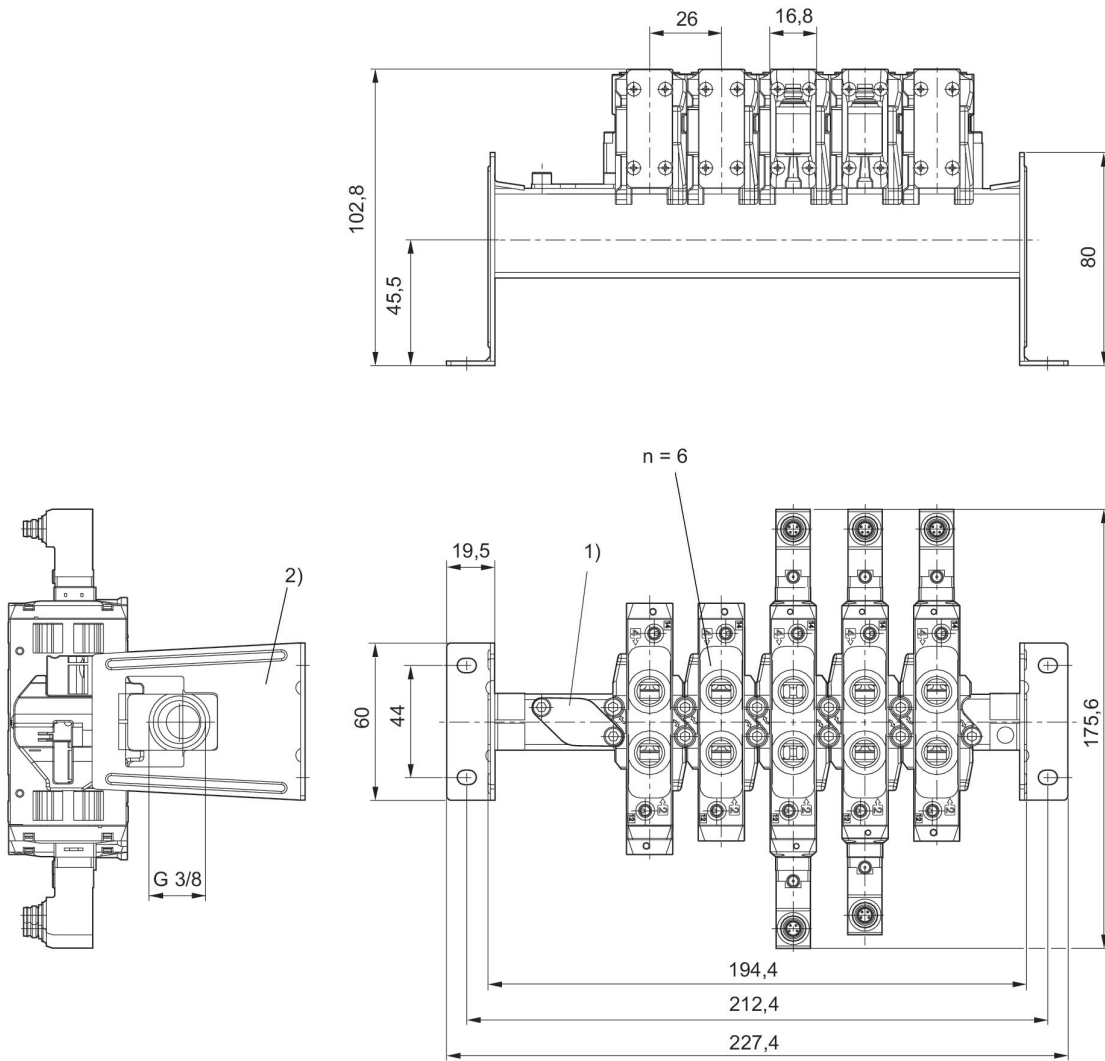
Type	Min. ambient temperature [°C]	Max. ambient temperature [°C]	Max. number of valve positions	Part No.
Manifold strip	-10	50	6	R422000935

Mounting on manifold strip



The following must be ordered to mount the valves: manifold strip A, mounting kit B (R422000937), blanking plate C (R422000939)

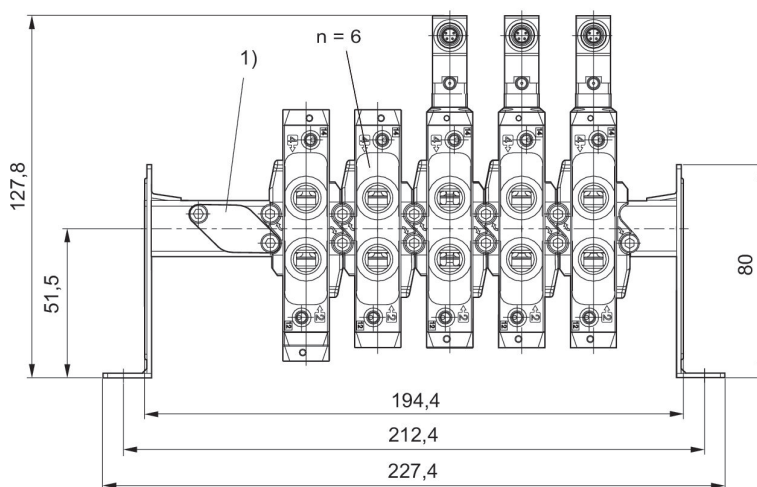
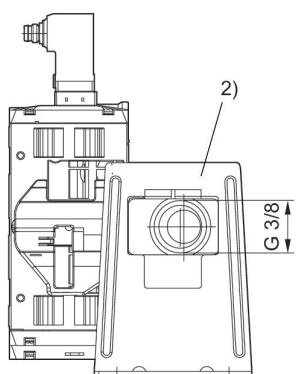
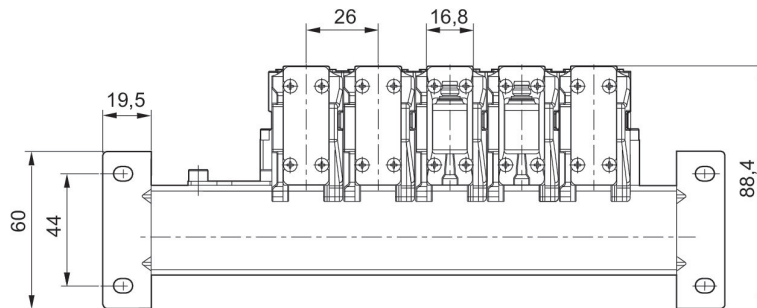
Dimensions in mm
P strip with mounting bracket, horizontal installation



- 1) Blanking plate
 - 2) Please order mounting bracket 1821332048 separately.
- n = number of valve positions

Dimensions in mm

P strip with mounting bracket, vertical installation



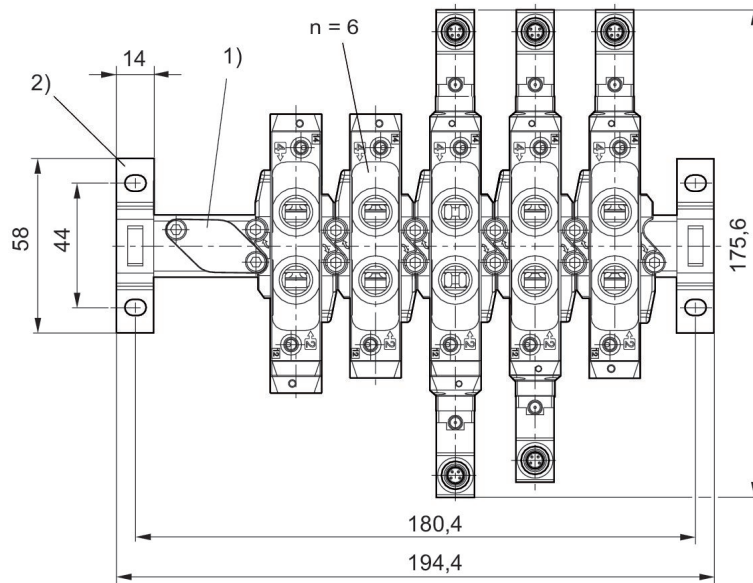
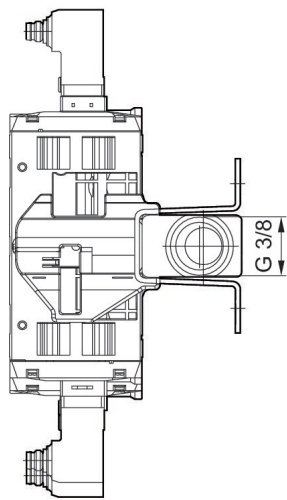
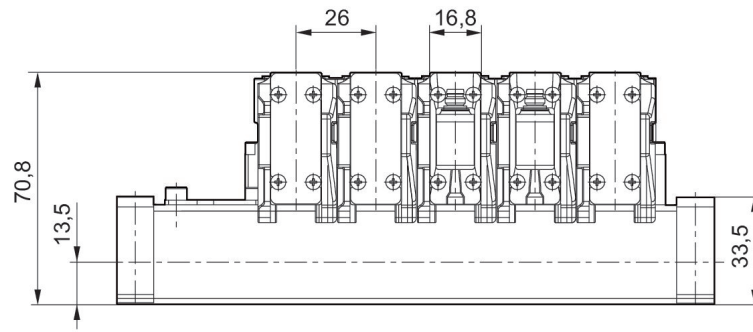
1) Blanking plate

2) Please order mounting bracket 1821332048 separately.

n = number of valve positions

Vertical installation not possible with 5/2 directional valves, electrically operated on each side and 5/3 directional valves, electrically operated.

Dimensions in mm
p-strip with support bracket



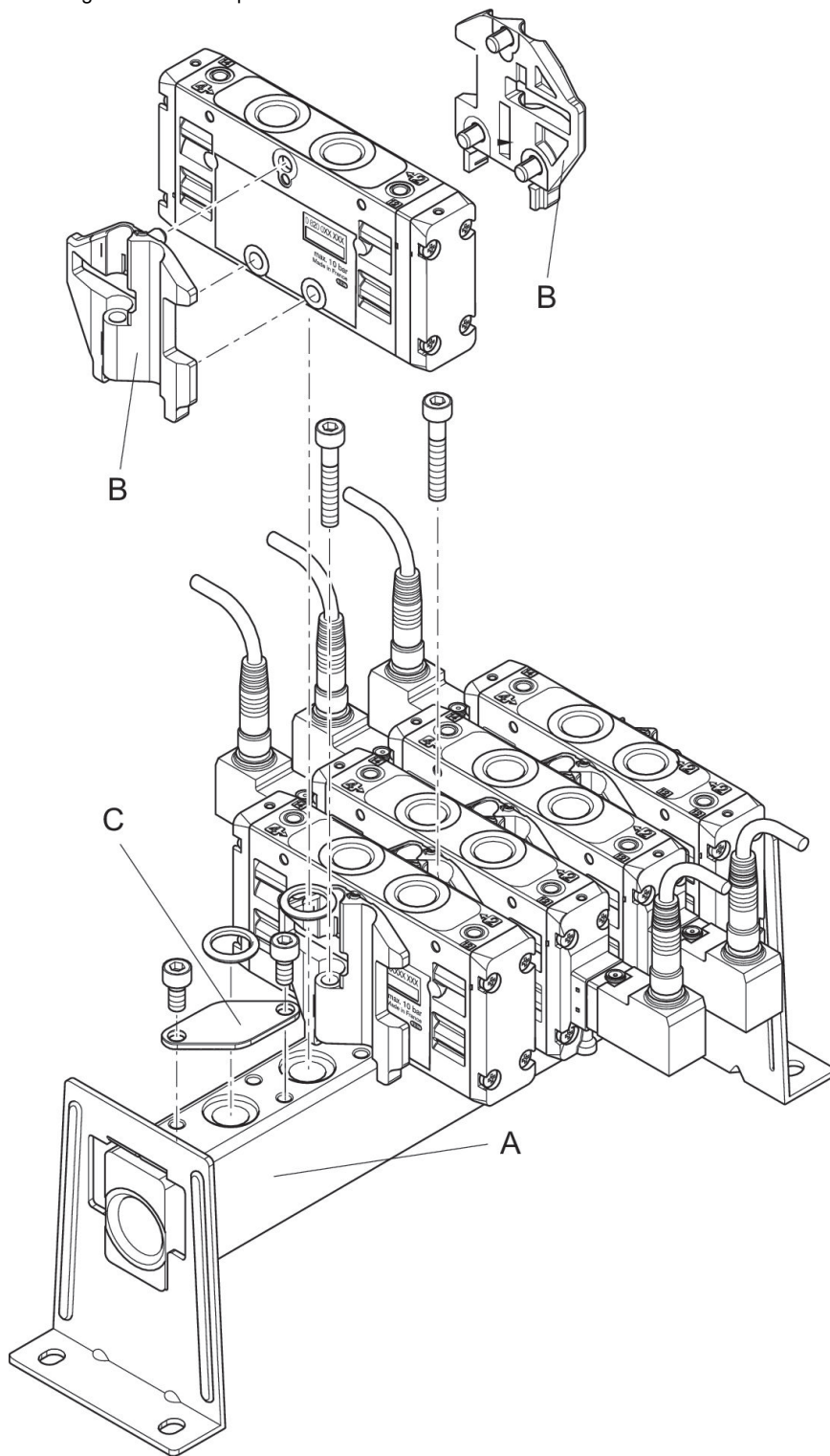
- 1) Blanking plate
 - 2) Please order mounting clip 1821332049 separately.
- n = number of valve positions

Manifold strip, Series TC08



Type	Min. ambient temperature [°C]	Max. ambient temperature [°C]	Max. number of valve positions	Part No.
Manifold strip	-10	50	8	R412012677

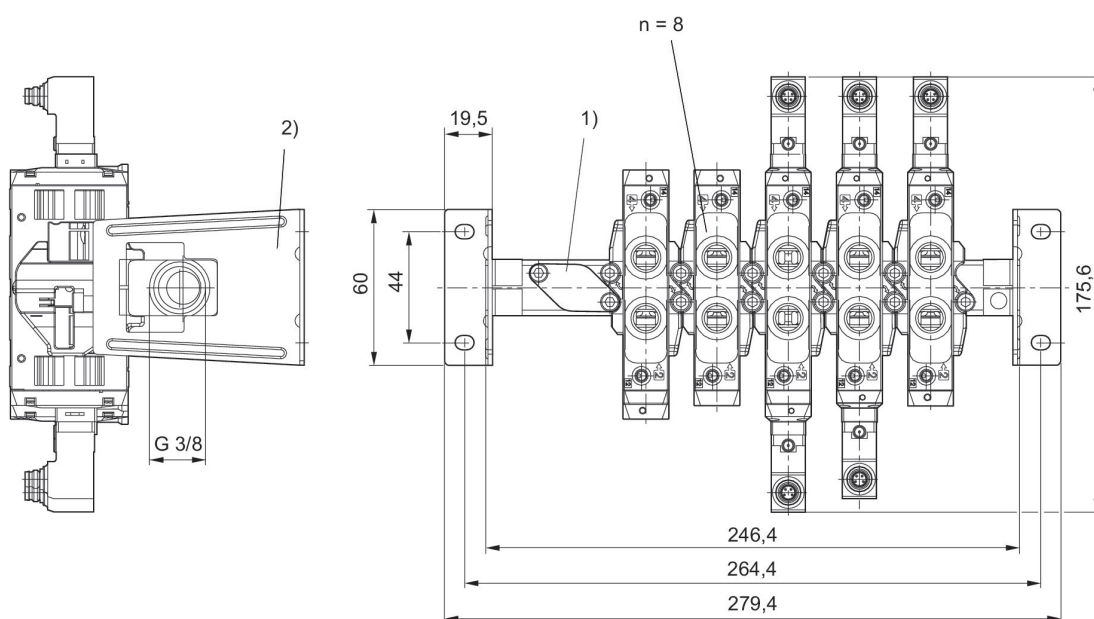
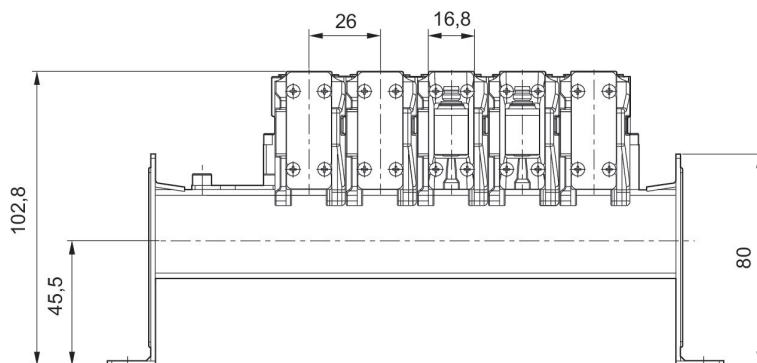
Mounting on manifold strip



The following must be ordered to mount the valves: manifold strip A, mounting kit B (R422000937), blanking plate C (R422000939)

Dimensions in mm

P strip with mounting bracket, horizontal installation



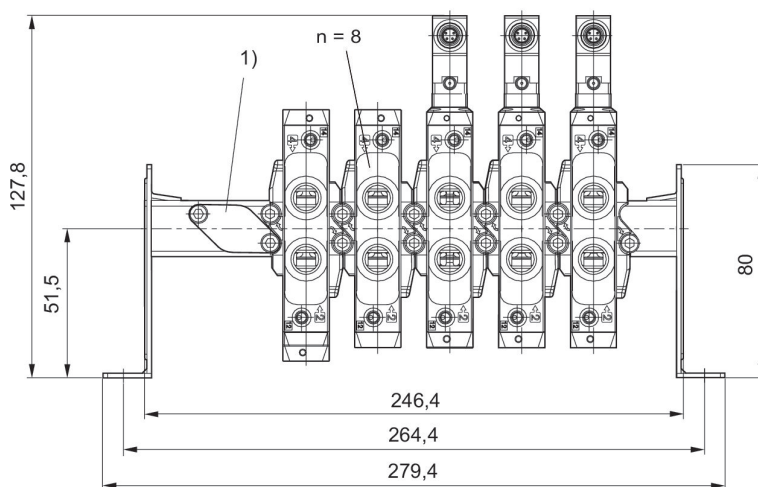
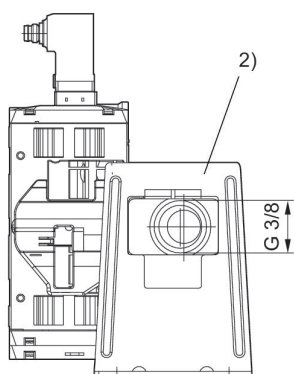
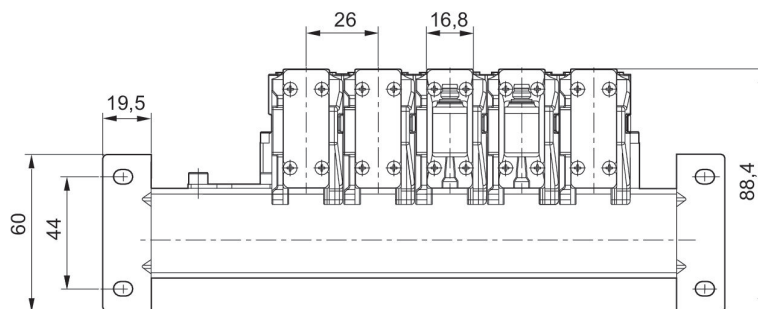
1) Blanking plate

2) Please order mounting bracket 1821332048 separately.

n = number of valve positions

Dimensions in mm

P strip with mounting bracket, vertical installation



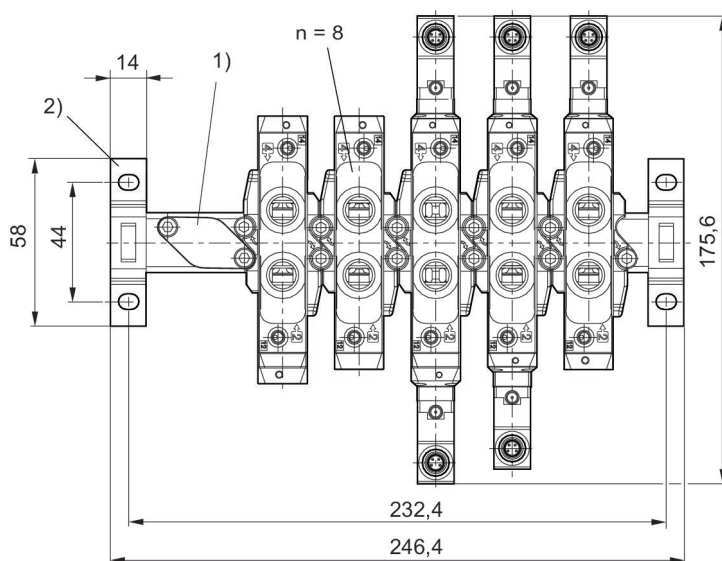
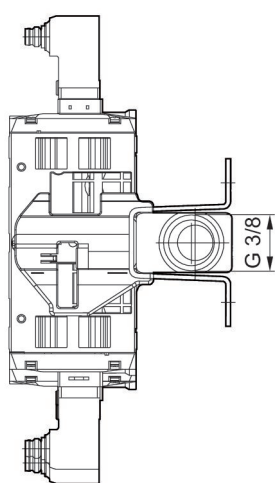
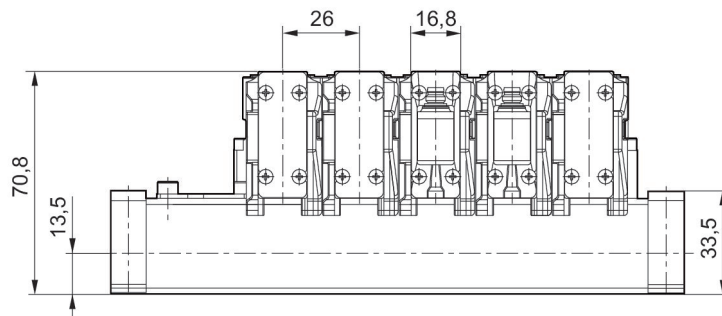
1) Blanking plate

2) Please order mounting bracket 1821332048 separately.

n = number of valve positions

Vertical installation not possible with 5/2 directional valves, electrically operated on each side and 5/3 directional valves, electrically operated.

Dimensions in mm
p-strip with support bracket



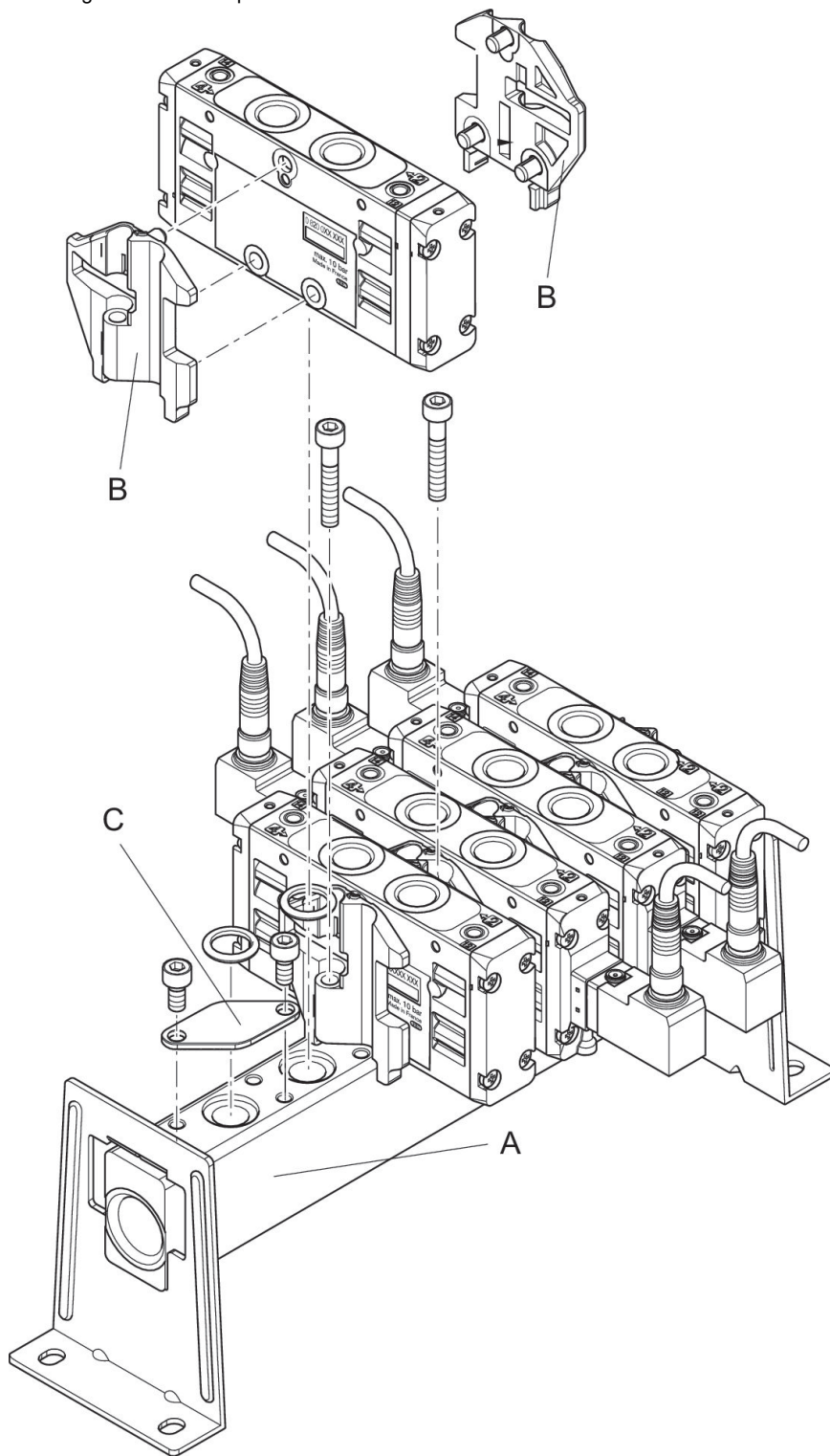
- 1) Blanking plate
 - 2) Please order mounting clip 1821332049 separately.
- n = number of valve positions

Manifold strip, Series TC08



Type	Min. ambient temperature [°C]	Max. ambient temperature [°C]	Max. number of valve positions	Part No.
Manifold strip	-10	50	10	R412012678

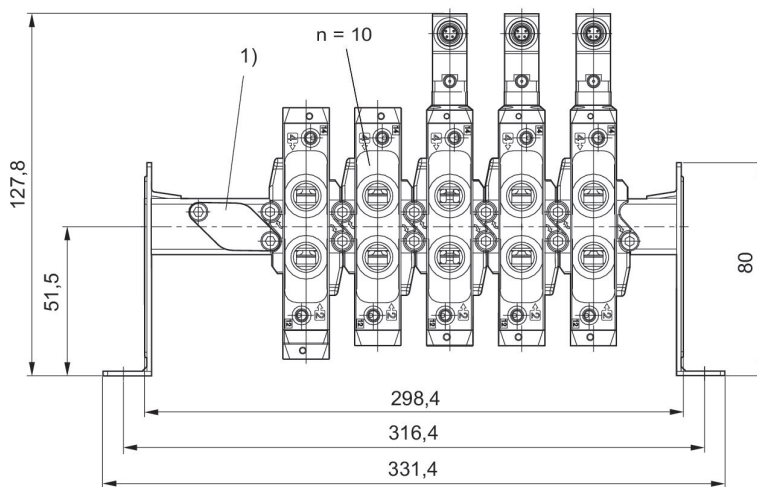
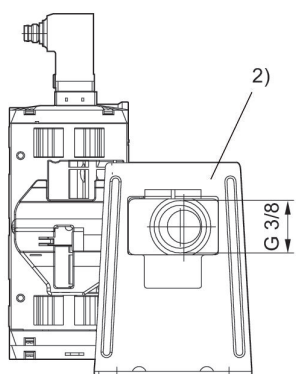
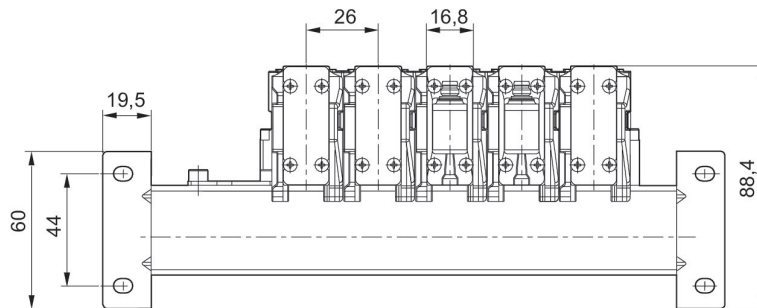
Mounting on manifold strip



The following must be ordered to mount the valves: manifold strip A, mounting kit B (R422000937), blanking plate C (R422000939)

Dimensions in mm

P strip with mounting bracket, vertical installation



1) Blanking plate

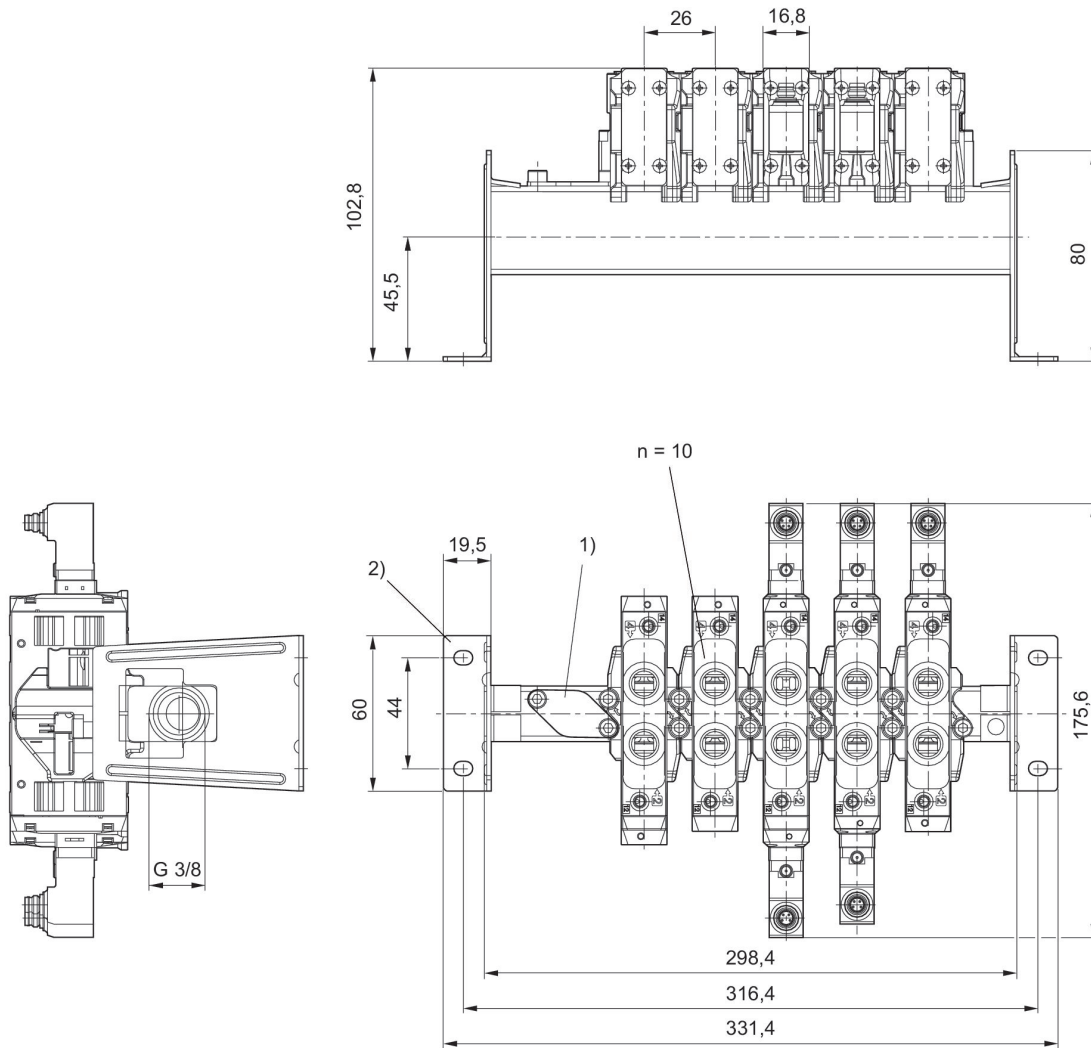
2) Please order mounting bracket 1821332048 separately.

n = number of valve positions

Vertical installation not possible with 5/2 directional valves, electrically operated on each side and 5/3 directional valves, electrically operated.

Dimensions in mm

P strip with mounting bracket, horizontal installation

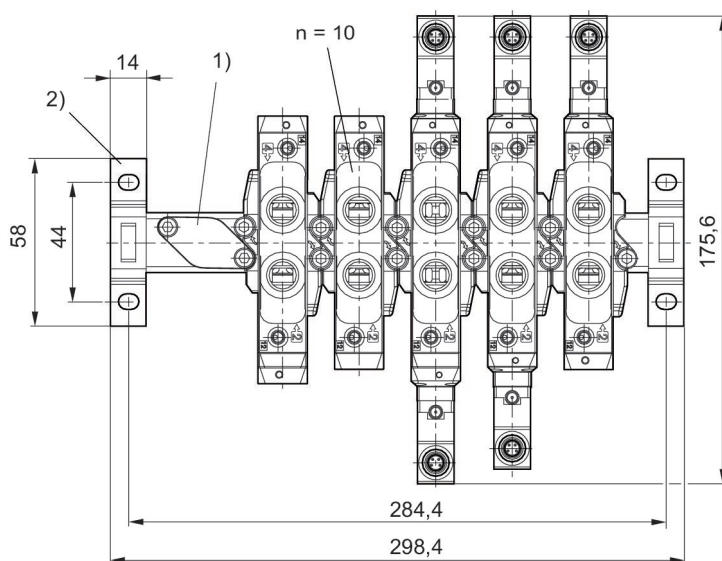
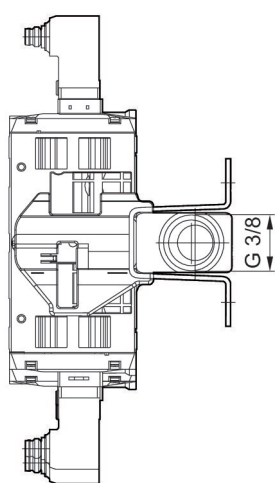
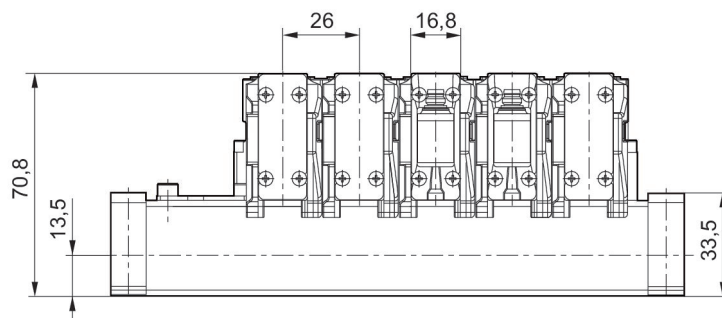


1) Blanking plate

2) Please order mounting bracket 1821332048 separately.

n = number of valve positions

Dimensions in mm
p-strip with support bracket



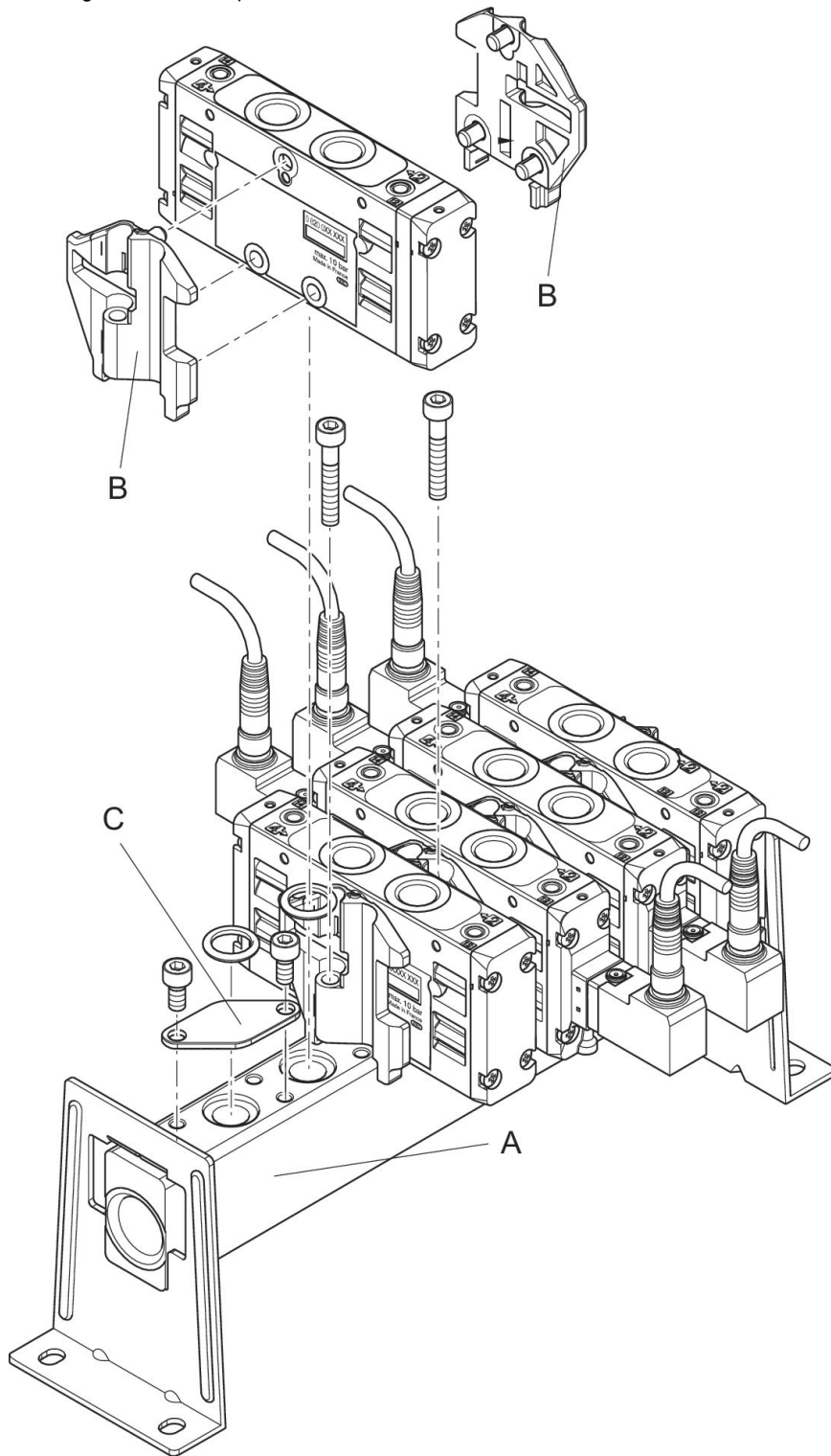
- 1) Blanking plate
 - 2) Please order mounting clip 1821332049 separately.
- n = number of valve positions

Manifold strip, Series TC08



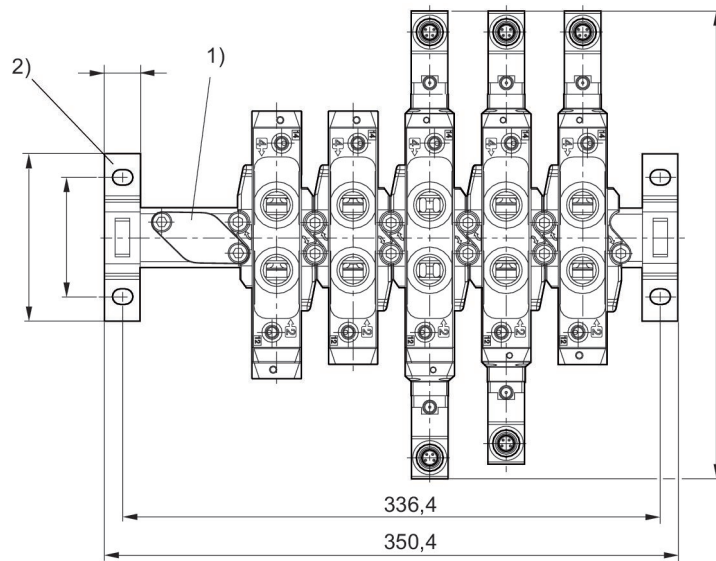
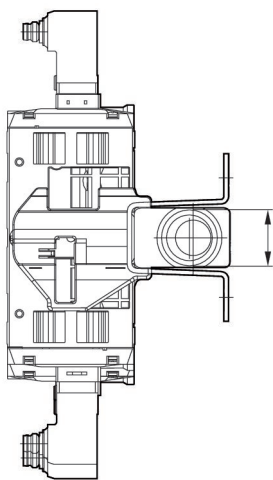
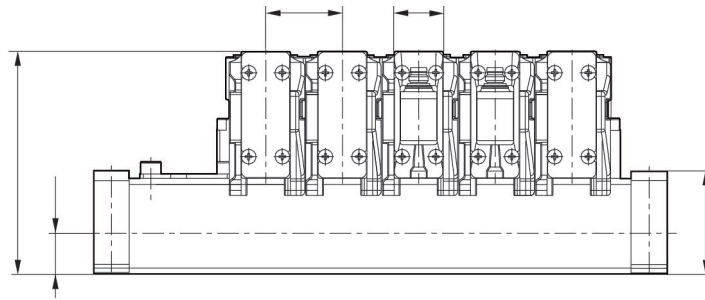
Type	Min. ambient temperature [°C]	Max. ambient temperature [°C]	Max. number of valve positions	Part No.
Manifold strip	-10	50	12	R412012679

Mounting on manifold strip



The following must be ordered to mount the valves: manifold strip A, mounting kit B (R422000937), blanking plate C (R422000939)

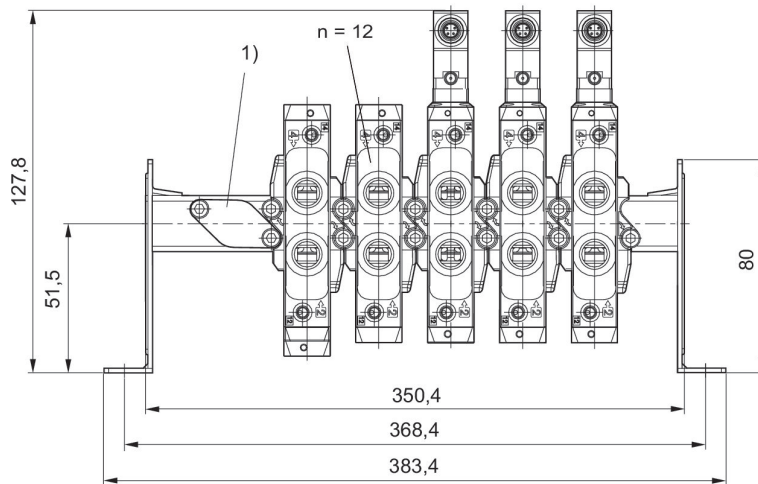
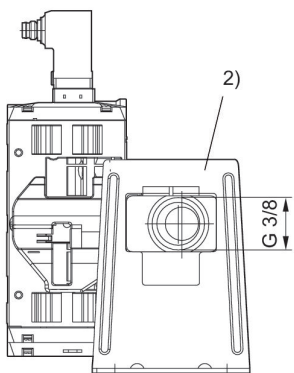
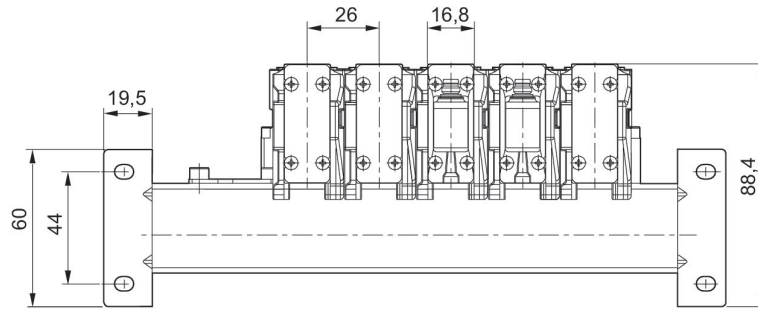
Dimensions in mm
p-strip with support bracket



- 1) Blanking plate
 - 2) Please order mounting clip 1821332049 separately.
- n = number of valve positions

Dimensions in mm

P strip with mounting bracket, vertical installation



1) Blanking plate

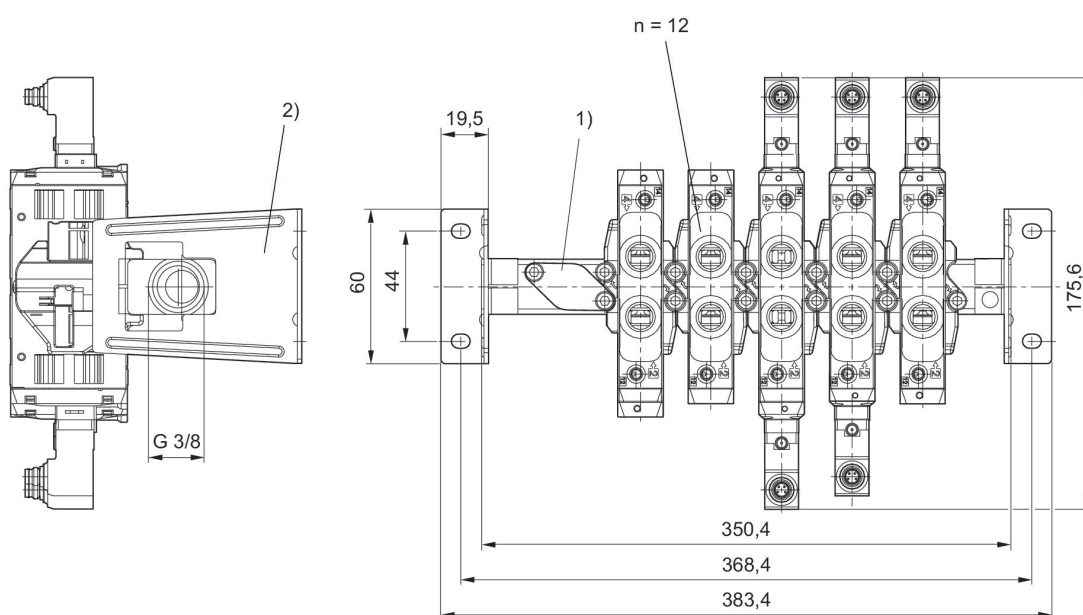
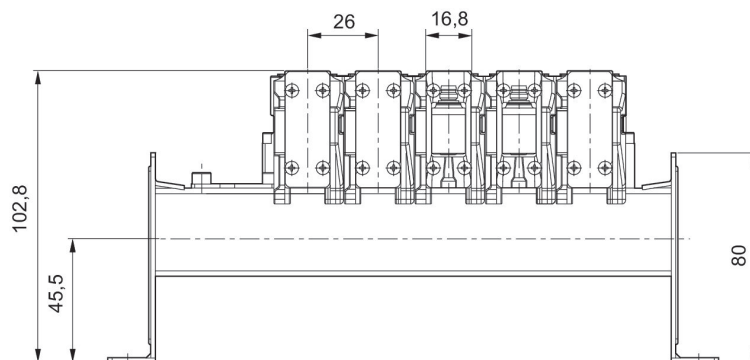
2) Please order mounting bracket 1821332048 separately.

n = number of valve positions

Vertical installation not possible with 5/2 directional valves, electrically operated on each side and 5/3 directional valves, electrically operated.

Dimensions in mm

P strip with mounting bracket, horizontal installation



1) Blanking plate

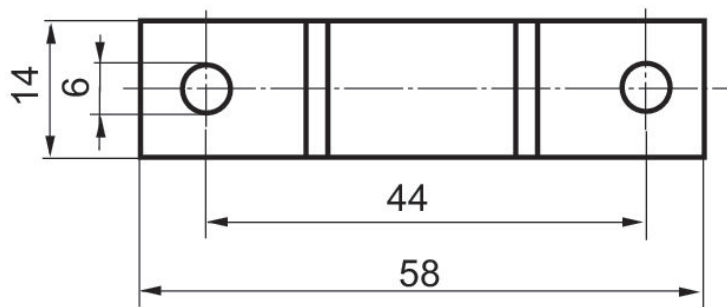
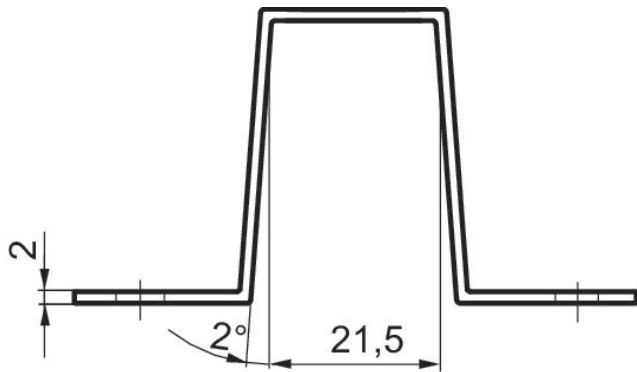
2) Please order mounting bracket 1821332048 separately.

n = number of valve positions

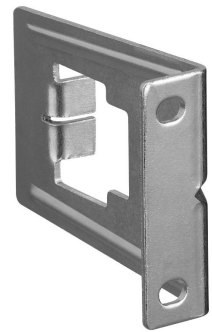
Mounting clip



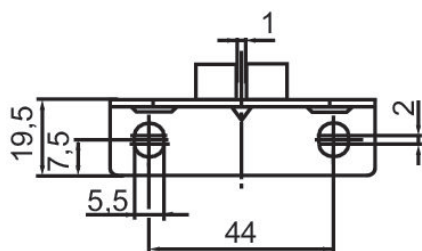
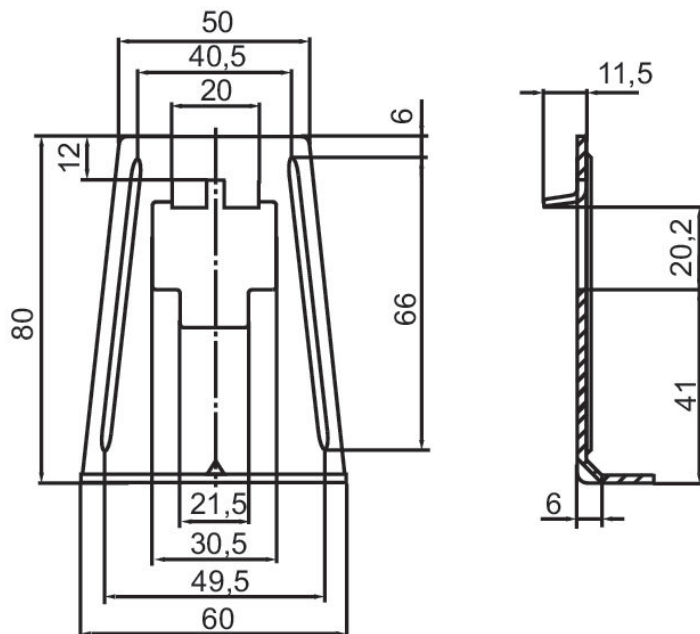
Type	Delivery unit [piece]	Weight [kg]	Part No.
Mounting clip	2	0.024	1821332049



Mounting bracket







Type	Delivery unit [piece]	Weight [kg]	Part No.
Mounting bracket	1	0.075	1821332048



Efficient pneumatic solutions, our program:
cylinders and drives, valves and valve systems,
air supply management, proportional pressure
control valves



Visit us: www.Emerson.com/aventics
Your local contact: Emerson.com/contactus

-  Emerson.com
-  Facebook.com/EmersonAutomationSolutions
-  LinkedIn.com/company/Emerson-Automation-Solutions
-  Twitter.com/EMR_Automation



The Emerson logo is a trademark and service mark of Emerson Electric Co. AVENTICS is a registered trademark of one of the Emerson family of companies. All other trademarks are the property of their respective owners. © 2020 Emerson Electric Co. All rights reserved.



CONSIDER IT SOLVED™