

Series TaskMaster®



AVENTICS™

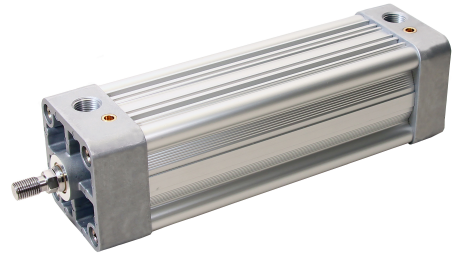
**AVENTICS Series TaskMaster
Profile Cylinders**


EMERSON™

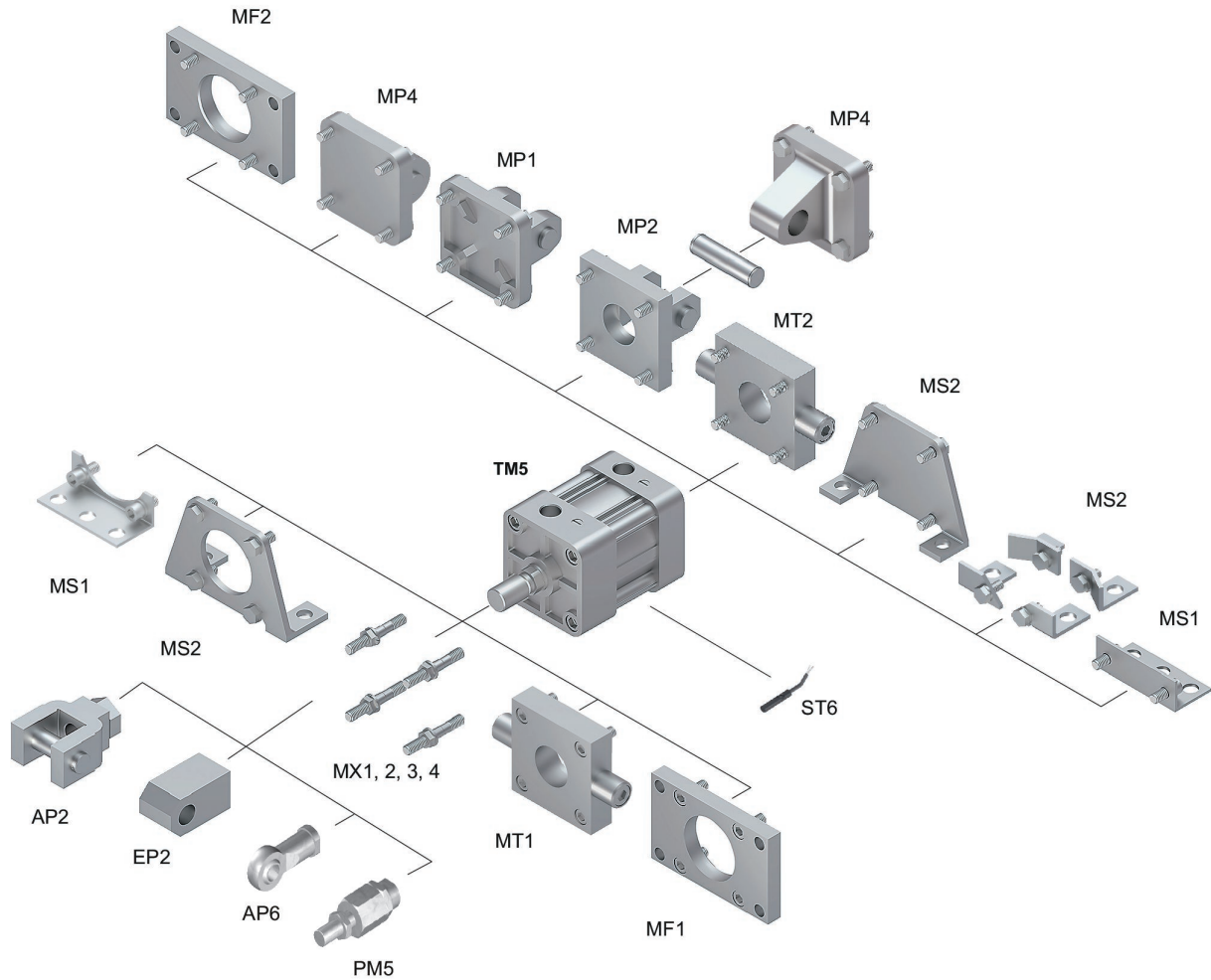
Series TaskMaster®

The AVENTICS Series TM5 TaskMaster is an NFPA compatible cylinder available in profile and tie-rod constructions with five bore sizes. Built to perform in the most demanding applications, the pneumatic cylinder has been enhanced with ideal cushioning. This helps to achieve improved cycle time, reduced wear and vibration, providing the best-in-class solution in industrial applications. Its rugged, non-corroding aluminum body construction and high-strength steel piston rod are paired with a complete range of standard precision-machined mountings.

- Standard with magnetic piston, available with optional position sensing
- Rugged anodized aluminum head and bowl
- Sturdy carbon steel piston rod
- TM5, TM1 (NFPA compliant) and TM8 (NFPA compatible)



Accessories overview

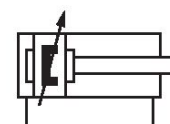


Product overview

	Page
Inch	
Profile cylinder NFPA, TaskMaster®, Series TM5.....	5
Profile cylinder - Built-in mounting: NFPA MX5 Piston rod thread KK1	
Profile cylinder NFPA, TaskMaster®, Series TM5.....	8
Profile cylinder - Built-in mounting: NFPA MX5 Piston rod thread KK2	
Profile cylinder NFPA, TaskMaster®, Series TM5.....	11
Profile cylinder - Built-in mounting: NFPA MS4 Piston rod thread KK1	
Profile cylinder NFPA, TaskMaster®, Series TM5.....	15
Profile cylinder - Built-in mounting: NFPA MS4 Piston rod thread KK2	
Tie rod cylinder NFPA, TaskMaster®, Series TM5.....	19
Tie rod cylinder - Built-in mounting: NFPA MX5 Piston rod thread KK1	
Tie rod cylinder NFPA, TaskMaster®, Series TM5.....	22
Tie rod cylinder - Built-in mounting: NFPA MX5 Piston rod thread KK2	
Tie rod cylinder NFPA, TaskMaster®, Series TM5.....	25
Tie rod cylinder - Built-in mounting: NFPA MS4 Piston rod thread KK1	
Tie rod cylinder NFPA, TaskMaster®, Series TM5.....	29
Tie rod cylinder - Built-in mounting: NFPA MS4 Piston rod thread KK2	
Accessories overview Cylinder mountings	
Fixed Clevis (MP1 mount).....	33
NFPA - Cast Iron	
Detachable Clevis (MP2 mount).....	35
Clevis mounting.....	37
Aluminum	
Rear eye, Series MP4 for series Taskmaster.....	39
Eye brackets.....	41
Trunnion mounting, Series MT1, MT2.....	43
Flange mounting, Series MF1, MF2.....	46
NFPA	
Foot mounting, Series MS1 NFPA.....	48
Foot mounting, MS2 Bore size: Ø 1-1/2" - 2-1/2".....	50
Foot mounting, MS2 Bore size: Ø 3-1/4" - 4".....	51
Bolts.....	53
Steel, chrome-plated	
Mounting kit for extended tie rods, Series MX1, 2, 3, 4.....	54
Accessories overview Piston rod mountings	
Rod clevis, imperial.....	55
Female rod eye, EP2.....	56

Profile cylinder NFPA, TaskMaster®, Series TM5

: Profile cylinder
 Functional principle: Double-acting
 Cushioning: Pneumatically
 Standards: NFPA
 Piston rod thread - type: External thread
 Ambient temperature min./max.: -20 °C ... 71.11 °C
 Medium temperature min./max.: -20 °C ... 71.11 °C
 Working pressure min./max.: 1.38 bar ... 10 bar



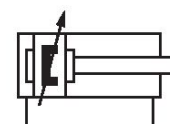
Piston Ø	38,1 mm	50,8 mm	63,5 mm	82,55 mm	101,6 mm
Piston rod thread	7/16-20 UNF	7/16-20 UNF	7/16-20 UNF	3/4-16 UNF	3/4-16 UNF
Ports	3/8" NPTF	3/8" NPTF	3/8" NPTF	1/2 NPTF	1/2 NPTF
Stroke 25.4	R480698477	R480698491	R480698505	R480698519	R480698533
50.8	R480698478	R480698492	R480698506	R480698520	R480698534
76.2	R480698479	R480698493	R480698507	R480698521	R480698535
101.6	R480698480	R480698494	R480698508	R480698522	R480698536
127	R480698481	R480698495	R480698509	R480698523	R480698537
152.4	R480698482	R480698496	R480698510	R480698524	R480698538
177.8	R480698483	R480698497	R480698511	R480698525	R480698539
203.2	R480698484	R480698498	R480698512	R480698526	R480698540
254	R480698485	R480698499	R480698513	R480698527	R480698541
304.8	R480698486	R480698500	R480698514	R480698528	R480698542
355.6	R480698487	R480698501	R480698515	R480698529	R480698543
406.4	R480698488	R480698502	R480698516	R480698530	R480698544
457.2	R480698489	R480698503	R480698517	R480698531	R480698545
609.6	R480698490	R480698504	R480698518	R480698532	R480698546

Piston Ø	38,1 mm	50,8 mm	63,5 mm	82,55 mm	101,6 mm
Retracting piston force	391.46 N	943.06 N	1650.36 N	3007.12 N	4715.3 N
Extracting piston force	707.3 N	1258.9 N	1966.19 N	3322.95 N	5031.14 N
Cushioning energy	8 J	13 J	26 J	54 J	88 J
Max. speed	2 m/s	2 m/s	2 m/s	2 m/s	2 m/s
Weight 0 inch stroke	0.8119 kg	1.05 kg	1.39 kg	2.83 kg	3.45 kg
Weight 1 inch stroke	0.0816 kg	0.1043 kg	0.1224 kg	0.2041 kg	0.2358 kg

Piston Ø	38,1 mm	50,8 mm	63,5 mm	82,55 mm	101,6 mm
moving mass, external max.	50 kg	80 kg	135 kg	200 kg	320 kg

Profile cylinder NFPA, TaskMaster®, Series TM5

: Profile cylinder
 Functional principle: Double-acting
 Cushioning: Pneumatically
 Standards: NFPA
 Piston rod thread - type: External thread
 Ambient temperature min./max.: -20 °C ... 71.11 °C
 Medium temperature min./max.: -20 °C ... 71.11 °C
 Working pressure min./max.: 1.38 bar ... 10 bar

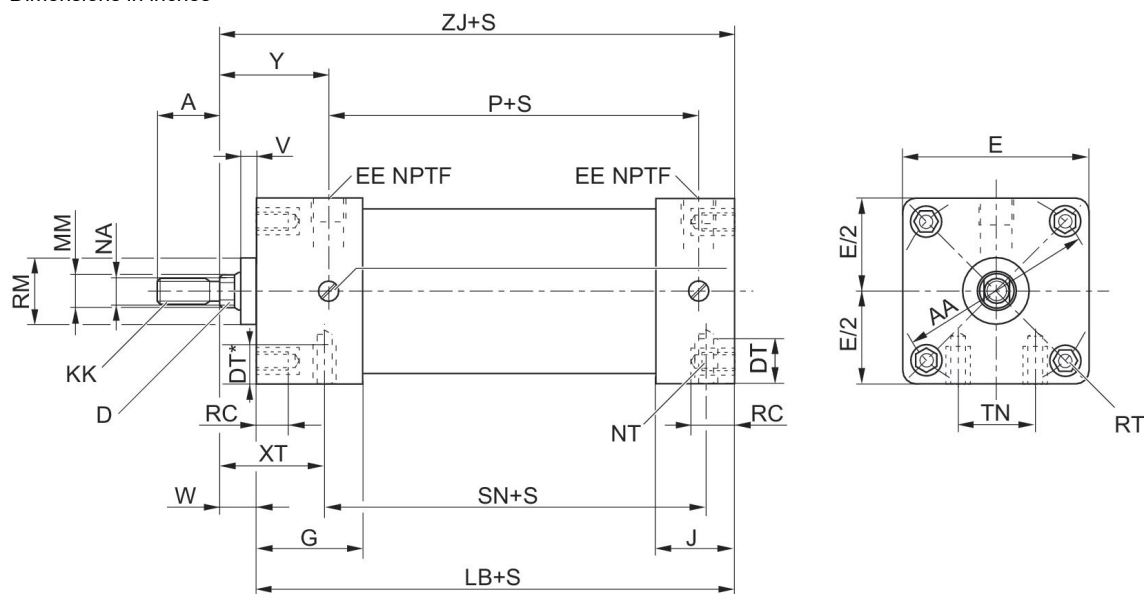


Piston Ø	38,1 mm	50,8 mm	63,5 mm	82,55 mm	101,6 mm
Piston rod thread	1/2-20 UNF	1/2-20 UNF	1/2-20 UNF	7/8-14 UNF	7/8-14 UNF
Ports	3/8" NPTF	3/8" NPTF	3/8" NPTF	1/2 NPTF	1/2 NPTF
Stroke 25.4	R480698547	R480698561	R480698575	R480698589	R480698603
50.8	R480698548	R480698562	R480698576	R480698590	R480698604
76.2	R480698549	R480698563	R480698577	R480698591	R480698605
101.6	R480698550	R480698564	R480698578	R480698592	R480698606
127	R480698551	R480698565	R480698579	R480698593	R480698607
152.4	R480698552	R480698566	R480698580	R480698594	R480698608
177.8	R480698553	R480698567	R480698581	R480698595	R480698609
203.2	R480698554	R480698568	R480698582	R480698596	R480698610
254	R480698555	R480698569	R480698583	R480698597	R480698611
304.8	R480698556	R480698570	R480698584	R480698598	R480698612
355.6	R480698557	R480698571	R480698585	R480698599	R480698613
406.4	R480698558	R480698572	R480698586	R480698600	R480698614
457.2	R480698559	R480698573	R480698587	R480698601	R480698615
609.6	R480698560	R480698574	R480698588	R480698602	R480698616

Piston Ø	38,1 mm	50,8 mm	63,5 mm	82,55 mm	101,6 mm
Retracting piston force	391.46 N	943.06 N	1650.36 N	3007.12 N	4715.3 N
Extracting piston force	707.3 N	1258.9 N	1966.19 N	3322.95 N	5031.14 N
Cushioning energy	8 J	13 J	26 J	54 J	88 J
Max. speed	2 m/s	2 m/s	2 m/s	2 m/s	2 m/s
Weight 0 inch stroke	0.8119 kg	1.05 kg	1.39 kg	2.83 kg	3.45 kg
Weight 1 inch stroke	0.0816 kg	0.1043 kg	0.1224 kg	0.2041 kg	0.2358 kg

Piston Ø	38,1 mm	50,8 mm	63,5 mm	82,55 mm	101,6 mm
moving mass, external max.	50 kg	80 kg	135 kg	200 kg	320 kg

Dimensions in inches



S = stroke

Dimensions not affected by rod diameter

Ø [inch]	E	G	J	P	V	AA	LB	RC	RT
1 1/2	2.00	1.4	1.08	2.85	0.25	2.02	4.00	0.47	1/4-28
2	2.50	1.22	1.05	2.90	0.25	2.60	4.00	0.50	5/16-24
2 1/2	3.00	1.33	1.04	2.94	0.25	3.10	4.12	0.50	5/16-24
3.25	3.75	1.64	1.22	3.46	0.25	3.90	4.88	0.53	3/8-24
4	4.5	1.55	1.22	3.50	0.25	4.7	4.88	0.62	3/8-24

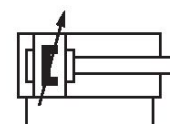
Ø [inch]	SN
1 1/2	2.75
2	2.75
2 1/2	2.88
3.25	3.38
4	3.38

Dimensions affected by rod diameter

Ø [inch]	MM	W	EE	RM	ZJ	A	D	Y
1 1/2	0.625	0.63	3/8	1.12	4.63	0.75	0.5	1.35
2	0.625	0.63	3/8	1.12	4.63	0.75	0.5	1.26
2 1/2	0.625	0.63	3/8	1.12	4.75	0.75	0.5	1.36
3 1/4	1	0.75	1/2	1.5	5.63	1.12	0.875	1.66
4	1	0.75	1/2	1.5	5.63	1.12	0.875	1.59

Profile cylinder NFPA, TaskMaster®, Series TM5

: Profile cylinder
 Functional principle: Double-acting
 Cushioning: Pneumatically
 Standards: NFPA
 Piston rod thread - type: External thread
 Ambient temperature min./max.: -23.33 °C ... 73.88 °C
 Medium temperature min./max.: -10 °C ... 73.88 °C
 Working pressure min./max.: 1.38 bar ... 10 bar

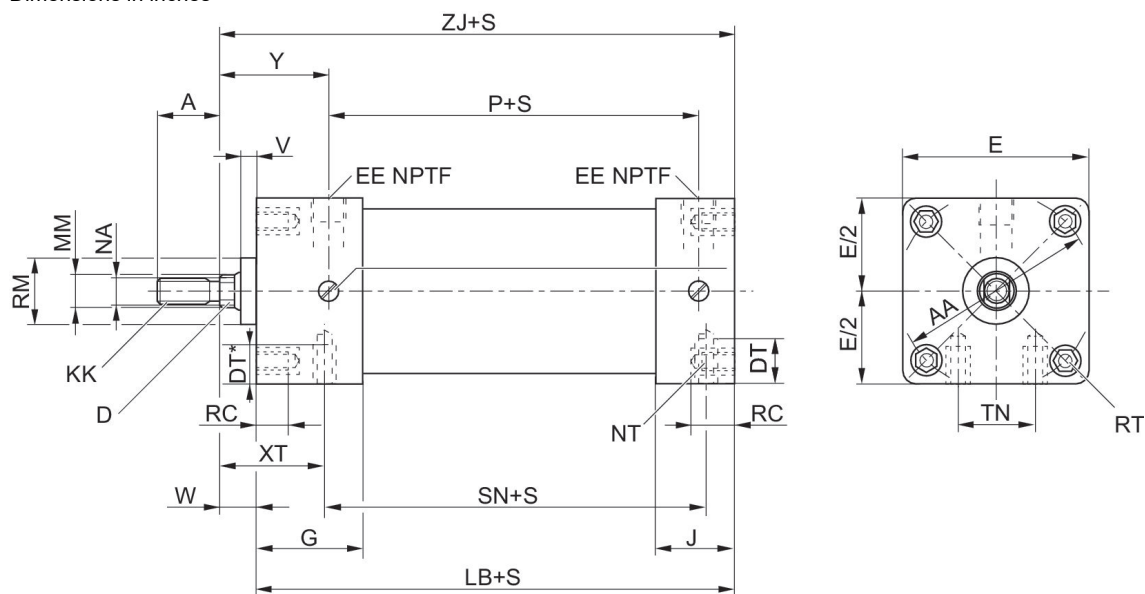


Piston Ø	38,1 mm	50,8 mm	63,5 mm	82,55 mm	101,6 mm
Piston rod thread	7/16-20 UNF	7/16-20 UNF	7/16-20 UNF	3/4-16 UNF	3/4-16 UNF
Ports	3/8" NPTF	3/8" NPTF	3/8" NPTF	1/2 NPTF	1/2 NPTF
Stroke 25.4	R480698757	R480698771	R480698785	R480698799	R480698813
50.8	R480698758	R480698772	R480698786	R480698800	R480698814
76.2	R480698759	R480698773	R480698787	R480698801	R480698815
101.6	R480698760	R480698774	R480698788	R480698802	R480698816
127	R480698761	R480698775	R480698789	R480698803	R480698817
152.4	R480698762	R480698776	R480698790	R480698804	R480698818
177.8	R480698763	R480698777	R480698791	R480698805	R480698819
203.2	R480698764	R480698778	R480698792	R480698806	R480698820
254	R480698765	R480698779	R480698793	R480698807	R480698821
304.8	R480698766	R480698780	R480698794	R480698808	R480698822
355.6	R480698767	R480698781	R480698795	R480698809	R480698823
406.4	R480698768	R480698782	R480698796	R480698810	R480698824
457.2	R480698769	R480698783	R480698797	R480698811	R480698825
609.6	R480698770	R480698784	R480698798	R480698812	R480698826

Piston Ø	38,1 mm	50,8 mm	63,5 mm	82,55 mm	101,6 mm
Retracting piston force	391.46 N	943.06 N	1650.36 N	3007.12 N	4715.3 N
Extracting piston force	707.3 N	1258.9 N	1966.19 N	3322.95 N	5031.14 N
Cushioning energy	8 J	13 J	26 J	54 J	88 J
Max. speed	2 m/s	2 m/s	2 m/s	2 m/s	2 m/s
Weight 0 inch stroke	0.8119 kg	1.05 kg	1.39 kg	2.83 kg	3.45 kg
Weight 1 inch stroke	0.0816 kg	0.1043 kg	0.1224 kg	0.2041 kg	0.2358 kg

Piston Ø	38,1 mm	50,8 mm	63,5 mm	82,55 mm	101,6 mm
moving mass, external max.	50 kg	80 kg	135 kg	200 kg	320 kg

Dimensions in inches



S = stroke

Dimensions affected by rod diameter

Ø [inch]	MM	W	EE	RM	DT	ZJ	A	D	Y
1 1/2	0.625	0.63	3/8	1.12	0.31	4.63	0.75	0.5	1.35
2	0.625	0.63	3/8	1.12	0.34	4.63	0.75	0.5	1.26
2 1/2	0.625	0.63	3/8	1.12	0.44	4.75	0.75	0.5	1.36
3 1/4	1	0.75	1/2	1.5	0.50	5.63	1.12	0.875	1.66
4	1	0.75	1/2	1.5	0.64	5.63	1.12	0.875	1.59

Ø [inch]	XT
1 1/2	1.44
2	1.44
2 1/2	1.44
3 1/4	1.69
4	1.69

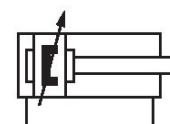
Dimensions not affected by rod diameter

Ø [inch]	E	G	J	P	V	AA	LB	NT	RC
1 1/2	2.00	1.4	1.08	2.85	0.25	2.02	4.00	1/4-20	0.47
2	2.50	1.22	1.05	2.90	0.25	2.60	4.00	5/16-18	0.50
2 1/2	3.00	1.33	1.04	2.94	0.25	3.10	4.12	3/8-16	0.50
3.25	3.75	1.64	1.22	3.46	0.25	3.90	4.88	1/2-13	0.53
4	4.5	1.55	1.22	3.50	0.25	4.7	4.88	1/2-13	0.62

Ø [inch]	RT	SN	TN
1 1/2	1/4-28	2.75	0.63
2	5/16-24	2.75	0.88
2 1/2	5/16-24	2.88	1.25
3.25	3/8-24	3.38	1.5
4	3/8-24	3.38	2.06

Profile cylinder NFPA, TaskMaster®, Series TM5

: Profile cylinder
 Functional principle: Double-acting
 Cushioning: Pneumatically
 Standards: NFPA
 Piston rod thread - type: External thread
 Ambient temperature min./max.: -23.33 °C ... 73.88 °C
 Medium temperature min./max.: -10 °C ... 73.88 °C
 Working pressure min./max.: 1.38 bar ... 10 bar

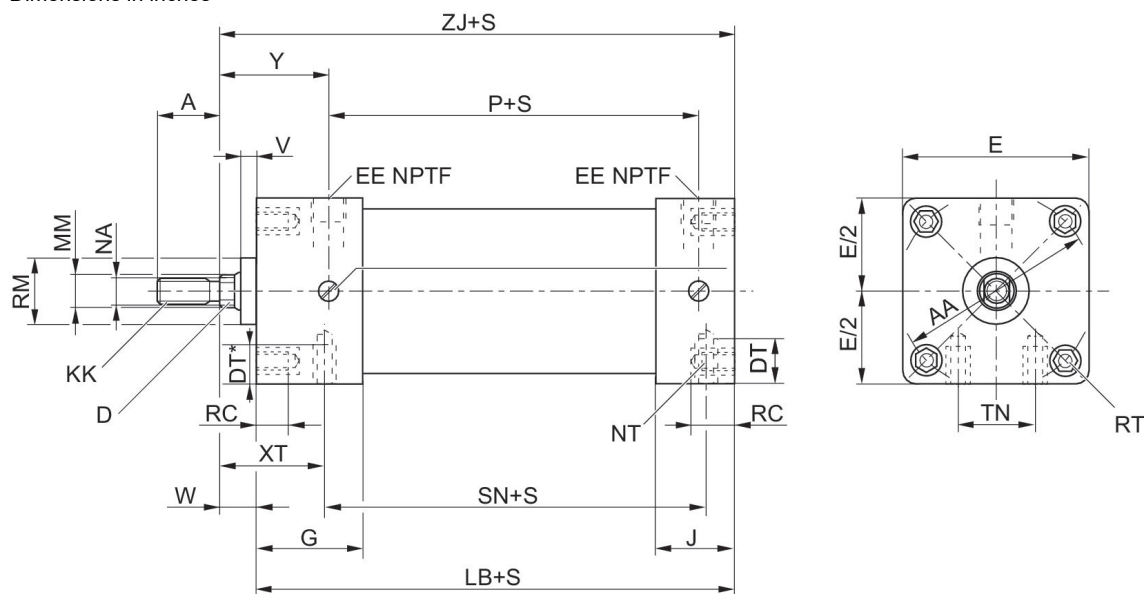


Piston Ø	38,1 mm	50,8 mm	63,5 mm	82,55 mm	101,6 mm
Piston rod thread	1/2-20 UNF	1/2-20 UNF	1/2-20 UNF	7/8-14 UNF	7/8-14 UNF
Ports	3/8" NPTF	3/8" NPTF	3/8" NPTF	1/2 NPTF	1/2 NPTF
Stroke 25.4	R480698827	R480698841	R480698855	R480698869	R480698883
50.8	R480698828	R480698842	R480698856	R480698870	R480698884
76.2	R480698829	R480698843	R480698857	R480698871	R480698885
101.6	R480698830	R480698844	R480698858	R480698872	R480698886
127	R480698831	R480698845	R480698859	R480698873	R480698887
152.4	R480698832	R480698846	R480698860	R480698874	R480698888
177.8	R480698833	R480698847	R480698861	R480698875	R480698889
203.2	R480698834	R480698848	R480698862	R480698876	R480698890
254	R480698835	R480698849	R480698863	R480698877	R480698891
304.8	R480698836	R480698850	R480698864	R480698878	R480698892
355.6	R480698837	R480698851	R480698865	R480698879	R480698893
406.4	R480698838	R480698852	R480698866	R480698880	R480698894
457.2	R480698839	R480698853	R480698867	R480698881	R480698895
609.6	R480698840	R480698854	R480698868	R480698882	R480698896

Piston Ø	38,1 mm	50,8 mm	63,5 mm	82,55 mm	101,6 mm
Retracting piston force	391.46 N	943.06 N	1650.36 N	3007.12 N	4715.3 N
Extracting piston force	707.3 N	1258.9 N	1966.19 N	3322.95 N	5031.14 N
Cushioning energy	8 J	13 J	26 J	54 J	88 J
Max. speed	2 m/s	2 m/s	2 m/s	2 m/s	2 m/s
Weight 0 inch stroke	0.8119 kg	1.05 kg	1.39 kg	2.83 kg	3.45 kg
Weight 1 inch stroke	0.0816 kg	0.1043 kg	0.1224 kg	0.2041 kg	0.2358 kg

Piston Ø	38,1 mm	50,8 mm	63,5 mm	82,55 mm	101,6 mm
moving mass, external max.	50 kg	80 kg	135 kg	200 kg	320 kg

Dimensions in inches



S = stroke

Dimensions affected by rod diameter

Ø [inch]	MM	W	EE	RM	DT	ZJ	A	D	Y
1 1/2	0.625	0.63	3/8	1.12	0.31	4.63	0.75	0.5	1.35
2	0.625	0.63	3/8	1.12	0.34	4.63	0.75	0.5	1.26
2 1/2	0.625	0.63	3/8	1.12	0.44	4.75	0.75	0.5	1.36
3 1/4	1	0.75	1/2	1.5	0.50	5.63	1.12	0.875	1.66
4	1	0.75	1/2	1.5	0.64	5.63	1.12	0.875	1.59

Ø [inch]	XT
1 1/2	1.44
2	1.44
2 1/2	1.44
3 1/4	1.69
4	1.69

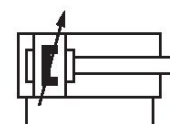
Dimensions not affected by rod diameter

Ø [inch]	E	G	J	P	V	AA	LB	NT	RC
1 1/2	2.00	1.4	1.08	2.85	0.25	2.02	4.00	1/4-20	0.47
2	2.50	1.22	1.05	2.90	0.25	2.60	4.00	5/16-18	0.50
2 1/2	3.00	1.33	1.04	2.94	0.25	3.10	4.12	3/8-16	0.50
3.25	3.75	1.64	1.22	3.46	0.25	3.90	4.88	1/2-13	0.53
4	4.5	1.55	1.22	3.50	0.25	4.7	4.88	1/2-13	0.62

Ø [inch]	RT	SN	TN
1 1/2	1/4-28	2.75	0.63
2	5/16-24	2.75	0.88
2 1/2	5/16-24	2.88	1.25
3.25	3/8-24	3.38	1.5
4	3/8-24	3.38	2.06

Tie rod cylinder NFPA, TaskMaster®, Series TM5

: Tie rod cylinder
 Functional principle: Double-acting
 Cushioning: Pneumatically
 Standards: NFPA
 Piston rod thread - type: External thread
 Ambient temperature min./max.: -23.33 °C ... 73.88 °C
 Medium temperature min./max.: -23.33 °C ... 73.88 °C
 Working pressure min./max.: 1.38 bar ... 10 bar

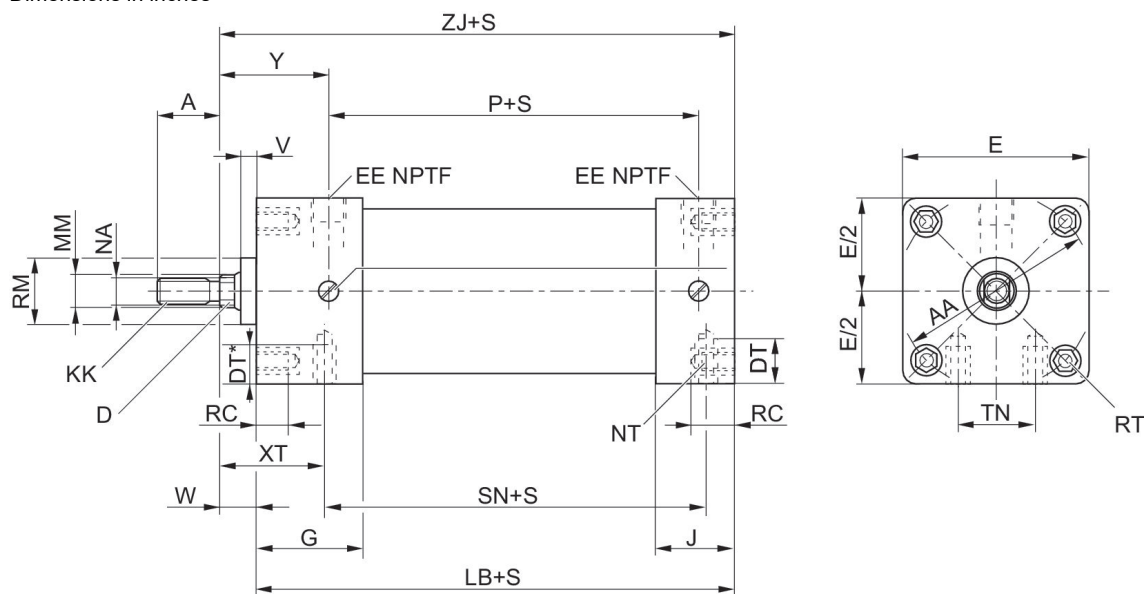


Piston Ø	38,1 mm	50,8 mm	63,5 mm	82,55 mm	101,6 mm
Piston rod thread	7/16-20 UNF	7/16-20 UNF	7/16-20 UNF	3/4-16 UNF	3/4-16 UNF
Ports	3/8" NPTF	3/8" NPTF	3/8" NPTF	1/2 NPTF	1/2 NPTF
Stroke 25.4	R480698617	R480698631	R480698645	R480698659	R480698673
50.8	R480698618	R480698632	R480698646	R480698660	R480698674
76.2	R480698619	R480698633	R480698647	R480698661	R480698675
101.6	R480698620	R480698634	R480698648	R480698662	R480698676
127	R480698621	R480698635	R480698649	R480698663	R480698677
152.4	R480698622	R480698636	R480698650	R480698664	R480698678
177.8	R480698623	R480698637	R480698651	R480698665	R480698679
203.2	R480698624	R480698638	R480698652	R480698666	R480698680
254	R480698625	R480698639	R480698653	R480698667	R480698681
304.8	R480698626	R480698640	R480698654	R480698668	R480698682
355.6	R480698627	R480698641	R480698655	R480698669	R480698683
406.4	R480698628	R480698642	R480698656	R480698670	R480698684
457.2	R480698629	R480698643	R480698657	R480698671	R480698685
609.6	R480698630	R480698644	R480698658	R480698672	R480698686

Piston Ø	38,1 mm	50,8 mm	63,5 mm	82,55 mm	101,6 mm
Retracting piston force	391.46 N	943.06 N	1650.36 N	3007.12 N	4715.3 N
Extracting piston force	707.3 N	1258.9 N	1966.19 N	3322.95 N	5031.14 N
Cushioning energy	8 J	13 J	26 J	54 J	88 J
Max. speed	2 m/s	2 m/s	2 m/s	2 m/s	2 m/s
Weight 0 inch stroke	0.7983 kg	1 kg	1.33 kg	2.76 kg	3.32 kg
Weight 1 inch stroke	0.0861 kg	0.0997 kg	0.1043 kg	0.2086 kg	0.2222 kg

Piston Ø	38,1 mm	50,8 mm	63,5 mm	82,55 mm	101,6 mm
moving mass, external max.	50 kg	80 kg	135 kg	200 kg	320 kg

Dimensions in inches



S = stroke

Dimensions not affected by rod diameter

Ø [inch]	E	G	J	P	V	AA	LB	RC	RT
1 1/2	2.00	1.4	1.08	2.85	0.25	2.02	4.00	0.47	1/4-28
2	2.50	1.22	1.05	2.90	0.25	2.60	4.00	0.50	5/16-24
2 1/2	3.00	1.33	1.04	2.94	0.25	3.10	4.12	0.50	5/16-24
3.25	3.75	1.64	1.22	3.46	0.25	3.90	4.88	0.53	3/8-24
4	4.5	1.55	1.22	3.50	0.25	4.7	4.88	0.62	3/8-24

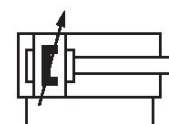
Ø [inch]	SN
1 1/2	2.75
2	2.75
2 1/2	2.88
3.25	3.38
4	3.38

Dimensions affected by rod diameter

Ø [inch]	MM	W	EE	RM	ZJ	A	D	Y
1 1/2	0.625	0.63	3/8	1.12	4.63	0.75	0.5	1.35
2	0.625	0.63	3/8	1.12	4.63	0.75	0.5	1.26
2 1/2	0.625	0.63	3/8	1.12	4.75	0.75	0.5	1.36
3 1/4	1	0.75	1/2	1.5	5.63	1.12	0.875	1.66
4	1	0.75	1/2	1.5	5.63	1.12	0.875	1.59

Tie rod cylinder NFPA, TaskMaster®, Series TM5

: Tie rod cylinder
 Functional principle: Double-acting
 Cushioning: Pneumatically
 Standards: NFPA
 Piston rod thread - type: External thread
 Ambient temperature min./max.: -23.33 °C ... 73.88 °C
 Medium temperature min./max.: -23.33 °C ... 73.88 °C
 Working pressure min./max.: 1.38 bar ... 10 bar

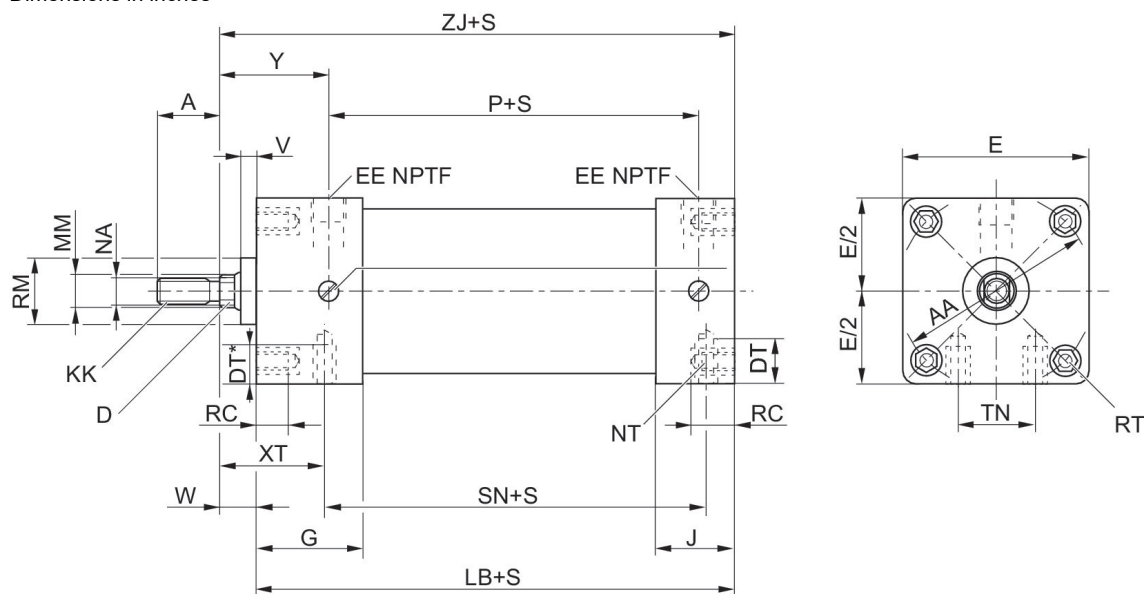


Piston Ø	38,1 mm	50,8 mm	63,5 mm	82,55 mm	101,6 mm
Piston rod thread	1/2-20 UNF	1/2-20 UNF	1/2-20 UNF	7/8-14 UNF	7/8-14 UNF
Ports	3/8" NPTF	3/8" NPTF	3/8" NPTF	1/2 NPTF	1/2 NPTF
Stroke 25.4	R480698687	R480698701	R480698715	R480698729	R480698743
50.8	R480698688	R480698702	R480698716	R480698730	R480698744
76.2	R480698689	R480698703	R480698717	R480698731	R480698745
101.6	R480698690	R480698704	R480698718	R480698732	R480698746
127	R480698691	R480698705	R480698719	R480698733	R480698747
152.4	R480698692	R480698706	R480698720	R480698734	R480698748
177.8	R480698693	R480698707	R480698721	R480698735	R480698749
203.2	R480698694	R480698708	R480698722	R480698736	R480698750
254	R480698695	R480698709	R480698723	R480698737	R480698751
304.8	R480698696	R480698710	R480698724	R480698738	R480698752
355.6	R480698697	R480698711	R480698725	R480698739	R480698753
406.4	R480698698	R480698712	R480698726	R480698740	R480698754
457.2	R480698699	R480698713	R480698727	R480698741	R480698755
609.6	R480698700	R480698714	R480698728	R480698742	R480698756

Piston Ø	38,1 mm	50,8 mm	63,5 mm	82,55 mm	101,6 mm
Retracting piston force	391.46 N	943.06 N	1650.36 N	3007.12 N	4715.3 N
Extracting piston force	707.3 N	1258.9 N	1966.19 N	3322.95 N	5031.14 N
Cushioning energy	8 J	13 J	26 J	54 J	88 J
Max. speed	2 m/s	2 m/s	2 m/s	2 m/s	2 m/s
Weight 0 inch stroke	0.7983 kg	1 kg	1.33 kg	2.76 kg	3.32 kg
Weight 1 inch stroke	0.0861 kg	0.0997 kg	0.1043 kg	0.2086 kg	0.2222 kg

Piston Ø	38,1 mm	50,8 mm	63,5 mm	82,55 mm	101,6 mm
moving mass, external max.	50 kg	80 kg	135 kg	200 kg	320 kg

Dimensions in inches



S = stroke

Dimensions not affected by rod diameter

Ø [inch]	E	G	J	P	V	AA	LB	RC	RT
1 1/2	2.00	1.4	1.08	2.85	0.25	2.02	4.00	0.47	1/4-28
2	2.50	1.22	1.05	2.90	0.25	2.60	4.00	0.50	5/16-24
2 1/2	3.00	1.33	1.04	2.94	0.25	3.10	4.12	0.50	5/16-24
3.25	3.75	1.64	1.22	3.46	0.25	3.90	4.88	0.53	3/8-24
4	4.5	1.55	1.22	3.50	0.25	4.7	4.88	0.62	3/8-24

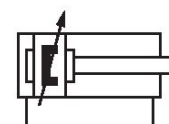
Ø [inch]	SN
1 1/2	2.75
2	2.75
2 1/2	2.88
3.25	3.38
4	3.38

Dimensions affected by rod diameter

Ø [inch]	MM	W	EE	RM	ZJ	A	D	Y
1 1/2	0.625	0.63	3/8	1.12	4.63	0.75	0.5	1.35
2	0.625	0.63	3/8	1.12	4.63	0.75	0.5	1.26
2 1/2	0.625	0.63	3/8	1.12	4.75	0.75	0.5	1.36
3 1/4	1	0.75	1/2	1.5	5.63	1.12	0.875	1.66
4	1	0.75	1/2	1.5	5.63	1.12	0.875	1.59

Tie rod cylinder NFPA, TaskMaster®, Series TM5

: Tie rod cylinder
 Functional principle: Double-acting
 Cushioning: Pneumatically
 Standards: NFPA
 Piston rod thread - type: External thread
 Ambient temperature min./max.: -23.33 °C ... 73.88 °C
 Medium temperature min./max.: -23.33 °C ... 73.88 °C
 Working pressure min./max.: 1.38 bar ... 10 bar

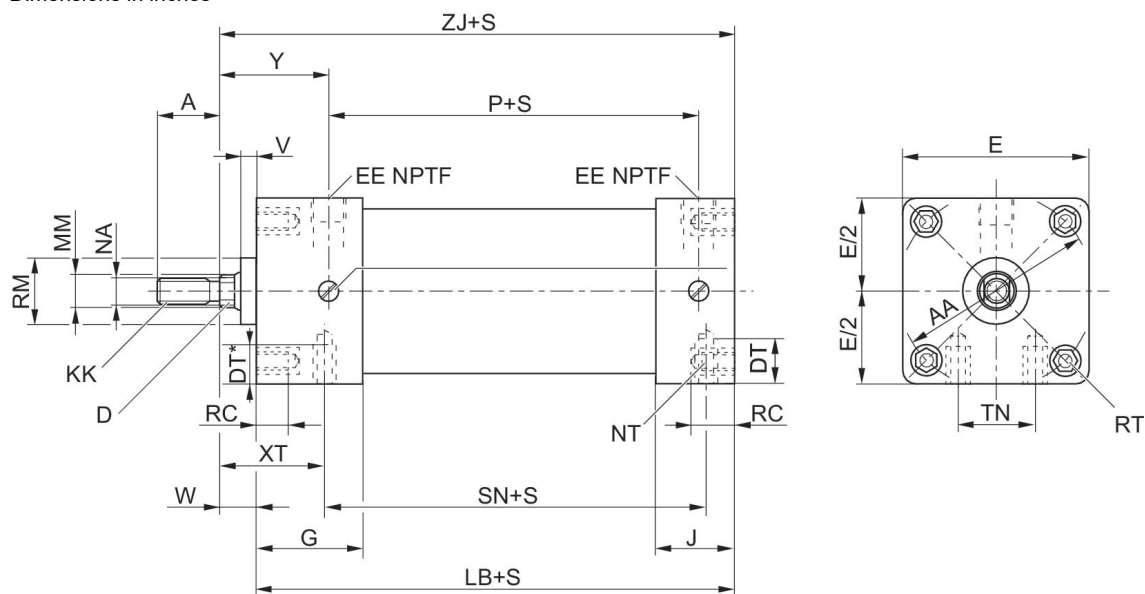


Piston Ø	38,1 mm	50,8 mm	63,5 mm	82,55 mm	101,6 mm
Piston rod thread	7/16-20 UNF	7/16-20 UNF	7/16-20 UNF	3/4-16 UNF	3/4-16 UNF
Ports	3/8" NPTF	3/8" NPTF	3/8" NPTF	1/2 NPTF	1/2 NPTF
Stroke 25.4	R480698897	R480698911	R480698925	R480698939	R480698953
50.8	R480698898	R480698912	R480698926	R480698940	R480698954
76.2	R480698899	R480698913	R480698927	R480698941	R480698955
101.6	R480698900	R480698914	R480698928	R480698942	R480698956
127	R480698901	R480698915	R480698929	R480698943	R480698957
152.4	R480698902	R480698916	R480698930	R480698944	R480698958
177.8	R480698903	R480698917	R480698931	R480698945	R480698959
203.2	R480698904	R480698918	R480698932	R480698946	R480698960
254	R480698905	R480698919	R480698933	R480698947	R480698961
304.8	R480698906	R480698920	R480698934	R480698948	R480698962
355.6	R480698907	R480698921	R480698935	R480698949	R480698963
406.4	R480698908	R480698922	R480698936	R480698950	R480698964
457.2	R480698909	R480698923	R480698937	R480698951	R480698965
609.6	R480698910	R480698924	R480698938	R480698952	R480698966

Piston Ø	38,1 mm	50,8 mm	63,5 mm	82,55 mm	101,6 mm
Retracting piston force	391.46 N	943.06 N	1650.36 N	3007.12 N	4715.3 N
Extracting piston force	707.3 N	1258.9 N	1966.19 N	3322.95 N	5031.14 N
Cushioning energy	8 J	13 J	26 J	54 J	88 J
Max. speed	2 m/s	2 m/s	2 m/s	2 m/s	2 m/s
Weight 0 inch stroke	0.7983 kg	1 kg	1.33 kg	2.76 kg	3.32 kg
Weight 1 inch stroke	0.0861 kg	0.0997 kg	0.1043 kg	0.2086 kg	0.2222 kg

Piston Ø	38,1 mm	50,8 mm	63,5 mm	82,55 mm	101,6 mm
moving mass, external max.	50 kg	80 kg	135 kg	200 kg	320 kg

Dimensions in inches



S = stroke

Dimensions affected by rod diameter

Ø [inch]	MM	W	EE	RM	DT	ZJ	A	D	Y
1 1/2	0.625	0.63	3/8	1.12	0.31	4.63	0.75	0.5	1.35
2	0.625	0.63	3/8	1.12	0.34	4.63	0.75	0.5	1.26
2 1/2	0.625	0.63	3/8	1.12	0.44	4.75	0.75	0.5	1.36
3 1/4	1	0.75	1/2	1.5	0.50	5.63	1.12	0.875	1.66
4	1	0.75	1/2	1.5	0.64	5.63	1.12	0.875	1.59

Ø [inch]	XT
1 1/2	1.44
2	1.44
2 1/2	1.44
3 1/4	1.69
4	1.69

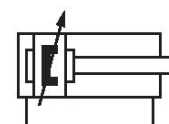
Dimensions not affected by rod diameter

Ø [inch]	E	G	J	P	V	AA	LB	NT	RC
1 1/2	2.00	1.4	1.08	2.85	0.25	2.02	4.00	1/4-20	0.47
2	2.50	1.22	1.05	2.90	0.25	2.60	4.00	5/16-18	0.50
2 1/2	3.00	1.33	1.04	2.94	0.25	3.10	4.12	3/8-16	0.50
3.25	3.75	1.64	1.22	3.46	0.25	3.90	4.88	1/2-13	0.53
4	4.5	1.55	1.22	3.50	0.25	4.7	4.88	1/2-13	0.62

Ø [inch]	RT	SN	TN
1 1/2	1/4-28	2.75	0.63
2	5/16-24	2.75	0.88
2 1/2	5/16-24	2.88	1.25
3.25	3/8-24	3.38	1.5
4	3/8-24	3.38	2.06

Tie rod cylinder NFPA, TaskMaster®, Series TM5

: Tie rod cylinder
 Functional principle: Double-acting
 Cushioning: Pneumatically
 Standards: NFPA
 Piston rod thread - type: External thread
 Ambient temperature min./max.: -23.33 °C ... 73.88 °C
 Medium temperature min./max.: -23.33 °C ... 73.88 °C
 Working pressure min./max.: 1.38 bar ... 10 bar

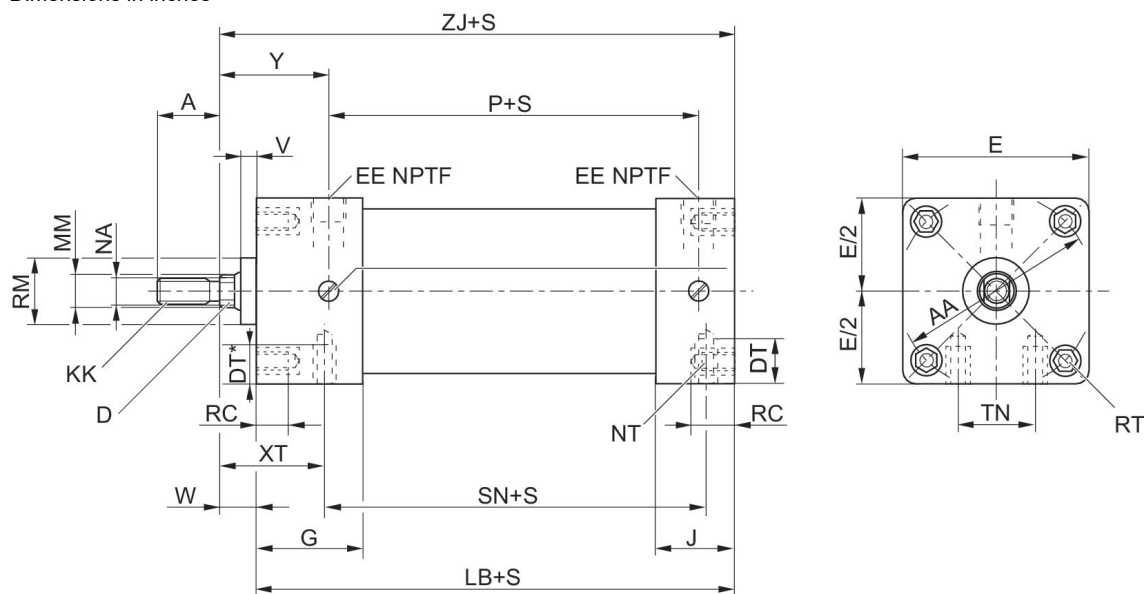


Piston Ø	38,1 mm	50,8 mm	63,5 mm	82,55 mm	101,6 mm
Piston rod thread	1/2-20 UNF	1/2-20 UNF	1/2-20 UNF	7/8-14 UNF	7/8-14 UNF
Ports	3/8" NPTF	3/8" NPTF	3/8" NPTF	1/2 NPTF	1/2 NPTF
Stroke 25.4	R480698967	R480698981	R480698995	R480699009	R480699023
50.8	R480698968	R480698982	R480698996	R480699010	R480699024
76.2	R480698969	R480698983	R480698997	R480699011	R480699025
101.6	R480698970	R480698984	R480698998	R480699012	R480699026
127	R480698971	R480698985	R480698999	R480699013	R480699027
152.4	R480698972	R480698986	R480699000	R480699014	R480699028
177.8	R480698973	R480698987	R480699001	R480699015	R480699029
203.2	R480698974	R480698988	R480699002	R480699016	R480699030
254	R480698975	R480698989	R480699003	R480699017	R480699031
304.8	R480698976	R480698990	R480699004	R480699018	R480699032
355.6	R480698977	R480698991	R480699005	R480699019	R480699033
406.4	R480698978	R480698992	R480699006	R480699020	R480699034
457.2	R480698979	R480698993	R480699007	R480699021	R480699035
609.6	R480698980	R480698994	R480699008	R480699022	R480699036

Piston Ø	38,1 mm	50,8 mm	63,5 mm	82,55 mm	101,6 mm
Retracting piston force	391.46 N	943.06 N	1650.36 N	3007.12 N	4715.3 N
Extracting piston force	707.3 N	1258.9 N	1966.19 N	3322.95 N	5031.14 N
Cushioning energy	8 J	13 J	26 J	54 J	88 J
Max. speed	2 m/s	2 m/s	2 m/s	2 m/s	2 m/s
Weight 0 inch stroke	0.7983 kg	1 kg	1.33 kg	2.76 kg	3.32 kg
Weight 1 inch stroke	0.0861 kg	0.0997 kg	0.1043 kg	0.2086 kg	0.2222 kg

Piston Ø	38,1 mm	50,8 mm	63,5 mm	82,55 mm	101,6 mm
moving mass, external max.	50 kg	80 kg	135 kg	200 kg	320 kg

Dimensions in inches



S = stroke

Dimensions affected by rod diameter

Ø [inch]	MM	W	EE	RM	DT	ZJ	A	D	Y
1 1/2	0.625	0.63	3/8	1.12	0.31	4.63	0.75	0.5	1.35
2	0.625	0.63	3/8	1.12	0.34	4.63	0.75	0.5	1.26
2 1/2	0.625	0.63	3/8	1.12	0.44	4.75	0.75	0.5	1.36
3 1/4	1	0.75	1/2	1.5	0.50	5.63	1.12	0.875	1.66
4	1	0.75	1/2	1.5	0.64	5.63	1.12	0.875	1.59

Ø [inch]	XT
1 1/2	1.44
2	1.44
2 1/2	1.44
3 1/4	1.69
4	1.69

Dimensions not affected by rod diameter

Ø [inch]	E	G	J	P	V	AA	LB	NT	RC
1 1/2	2.00	1.4	1.08	2.85	0.25	2.02	4.00	1/4-20	0.47
2	2.50	1.22	1.05	2.90	0.25	2.60	4.00	5/16-18	0.50
2 1/2	3.00	1.33	1.04	2.94	0.25	3.10	4.12	3/8-16	0.50
3.25	3.75	1.64	1.22	3.46	0.25	3.90	4.88	1/2-13	0.53
4	4.5	1.55	1.22	3.50	0.25	4.7	4.88	1/2-13	0.62

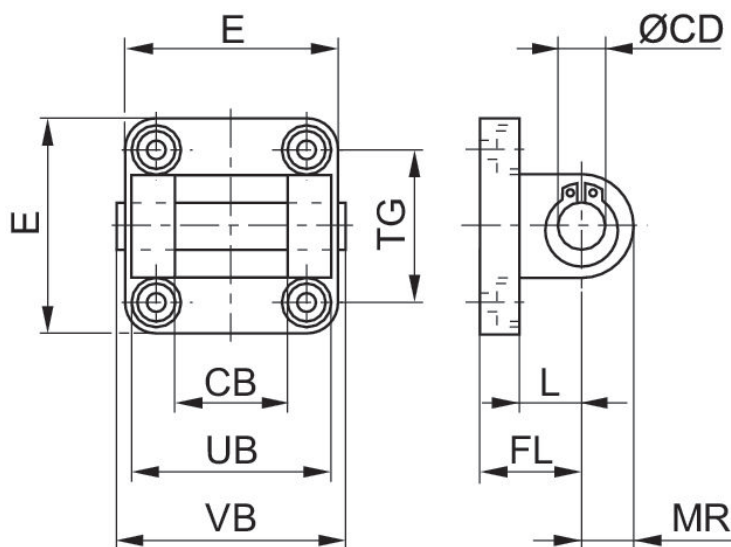
Ø [inch]	RT	SN	TN
1 1/2	1/4-28	2.75	0.63
2	5/16-24	2.75	0.88
2 1/2	5/16-24	2.88	1.25
3.25	3/8-24	3.38	1.5
4	3/8-24	3.38	2.06

Fixed Clevis (MP1 mount)



Piston diameter [mm]	Standardization	Material	Part No.
38.1	NFPA	Cast Iron	R432015731
50.8	NFPA	Cast Iron	R432015733
63.5	NFPA	Cast Iron	R432015735
82.55	NFPA	Cast Iron	R432015737
101.6	NFPA	Cast Iron	R432015739

Dimensions



Dimensions in inches

Part No.	Ø	CB H14	Ø CD H9	E	FL	L	MR	UB	VB
R432015731	1.5	0.75	0.500	2.00	0.76	0.38	0.63	-	-
R432015733	2.0	0.75	0.500	2.50	0.76	0.38	0.63	-	-
R432015735	2.5	0.75	0.500	3.00	0.76	0.38	0.63	-	-
R432015737	3.25	1.25	0.750	3.75	1.26	0.63	0.88	-	-
R432015739	4.0	1.25	0.750	4.50	1.26	0.63	0.88	-	-

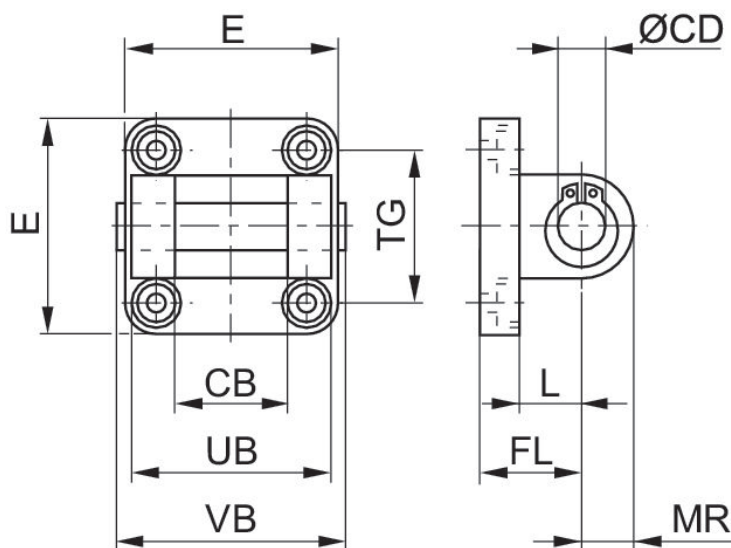
Part No.	TG
R432015731	-
R432015733	-
R432015735	-
R432015737	-
R432015739	-

Detachable Clevis (MP2 mount)



Piston diameter [mm]	Standard-ization	Material	Part No.
38.1	NFPA	Aluminum	R432013371
38.1	NFPA	Steel, chrome-plated	R432008309
50.8	NFPA	Aluminum	R432012512
50.8	NFPA	Steel, chrome-plated	R432008305
63.5	NFPA	Aluminum	R432013379
63.5	NFPA	Steel, chrome-plated	R432008306
82.55	NFPA	Aluminum	R432013394
82.55	NFPA	Steel, chrome-plated	R432008307
101.6	NFPA	Aluminum	R432013402
101.6	NFPA	Steel, chrome-plated	R432008308

Dimensions

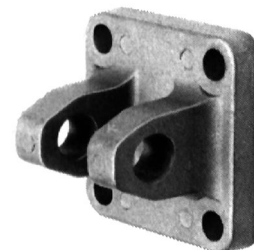


Dimensions in inches

Part No.	Ø	CB H14	Ø CD H9	E	FL	L	MR	UB	VB
R432013371	1.5	0.75	0.500	2.00	1.13	0.75	0.53	-	-
R432008309	1.5	0.75	0.500	2.00	1.13	0.75	0.69	-	-
R432012512	2.0	0.75	0.500	2.50	1.13	0.75	0.53	-	-
R432008305	2.0	0.75	0.500	2.50	1.13	0.75	0.53	-	-
R432013379	2.5	0.75	0.500	3.00	1.13	0.75	0.53	-	-
R432008306	2.5	0.75	0.500	3.00	1.13	0.75	0.53	-	-
R432013394	3.25	1.25	0.750	3.75	1.87	1.31	0.88	-	-
R432008307	3.25	1.25	0.750	3.75	1.88	1.25	1.00	-	-
R432013402	4.0	1.25	0.750	4.50	1.88	1.25	0.78	-	-
R432008308	4.0	1.25	0.750	4.50	1.88	1.25	1.00	-	-

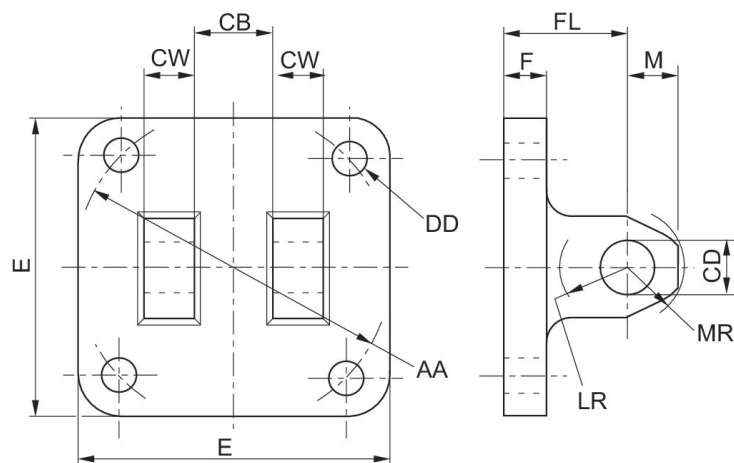
Part No.	TG
R432013371	-
R432008309	-
R432012512	-
R432008305	-
R432013379	-
R432008306	-
R432013394	-
R432008307	-
R432013402	-
R432008308	-

Clevis mounting



Piston diameter [mm]	Material	Part No.
38.1	Aluminum	R432013366
50.8	Aluminum	R432012511
63.5	Aluminum	R432013381
82.55	Aluminum	R432008891
101.6	Aluminum	R432008893

Dimensions



Dimensions in inches

Part No.	∅	E	F	M	AA	CB	CD	CW	DD
R432013366	1.50	2.00	0.38	0.50	2.02	0.75	0.50	0.50	0.25
R432012511	2.00	2.50	0.38	0.50	2.60	0.75	0.50	0.50	0.31
R432013381	2.50	3.00	0.38	0.50	3.10	0.75	0.50	0.50	0.31
R432008891	3.25	3.75	0.63	0.75	3.90	1.25	0.75	0.63	0.38
R432008893	4.00	4.504	0.63	0.75	4.70	1.25	0.75	0.63	0.38

FL	LR	MR
1.13	0.63	0.53
1.13	0.63	0.53
1.13	0.63	0.53
1.88	0.88	0.78
1.88	0.88	0.78

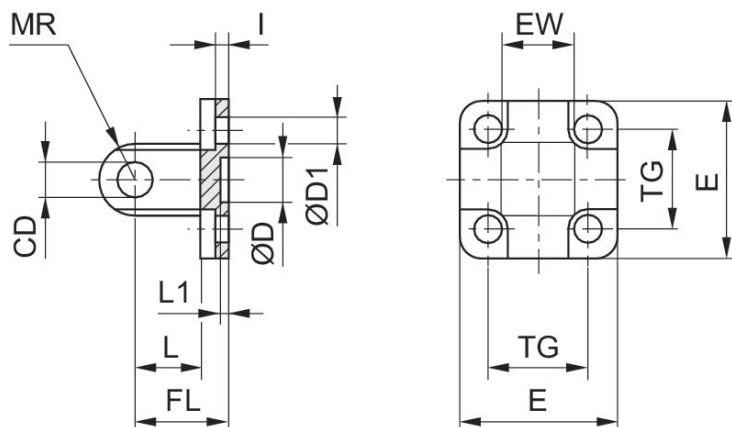
Rear eye, Series MP4 for series Taskmaster

Mounting type: Rear eye
Standardization: NFPA



Piston diameter [mm]	Standardization	Material	Part No.
38.1	NFPA	Aluminum	R432013369
50.8	NFPA	Aluminum	R432012549
63.5	NFPA	Aluminum	R432013377
82.55	NFPA	Aluminum	R432013392
101.6	NFPA	Aluminum	R432013400

Dimensions



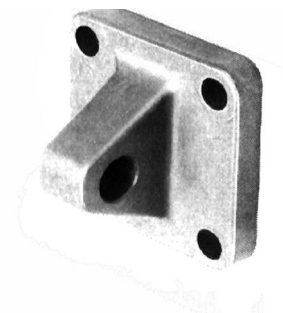
Dimensions in inches

Ø	Part No.	CD H9	Ø D	Ø D1	E	EW	FL	L	L1
1.5	R432013369	0.500	-	-	2.00	0.75	1.13	0.75	-
2.0	R432012549	0.500	-	-	2.50	0.75	1.13	0.75	-
2.5	R432013377	0.500	-	-	3.00	0.75	1.13	0.75	-
3.25	R432013392	0.750	-	-	3.75	1.25	1.88	1.25	-
4.0	R432013400	0.750	-	-	4.50	1.25	1.88	1.25	-

Ø	MR	TG
1.5	0.53	-
2.0	0.53	-
2.5	0.53	-
3.25	0.78	-
4.0	0.78	-

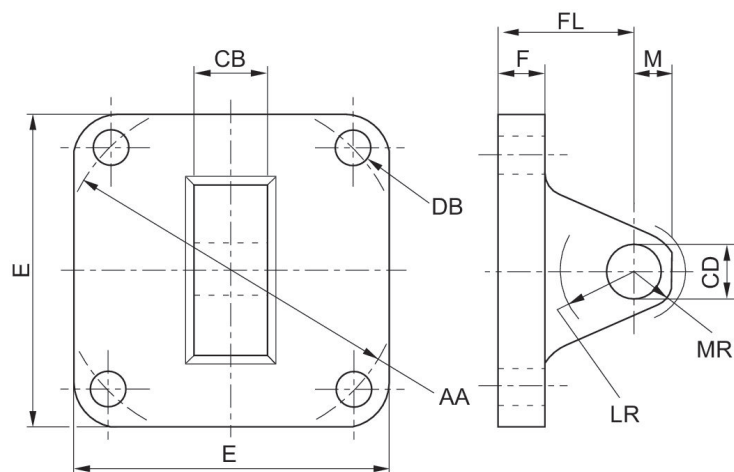
Eye brackets

Mounting type: Rear eye



Piston diameter [mm]	Material	Part No.
38.1	Aluminum	R432013368
50.8	Aluminum	R432012551
63.5	Aluminum	R432013376
82.55	Aluminum	R432008890
101.6	Aluminum	R432008892

Dimensions



Dimensions in inches

Ø	Part No.	E	F	M	AA	CB	CD	DB	FL
1.50	R432013368	2.00	0.38	0.50	2.02	0.75	0.50	0.25	1.13
2.00	R432012551	2.50	0.38	0.50	2.60	0.75	0.50	0.31	1.13
2.50	R432013376	3.00	0.38	0.50	3.10	0.75	0.50	0.31	1.13
3.25	R432008890	3.75	0.63	0.75	3.90	1.25	0.75	0.38	1.88
4.00	R432008892	4.504	0.63	0.75	4.70	1.25	0.75	0.38	1.88

Ø	LR	MR
1.50	0.63	0.53
2.00	0.63	0.53
2.50	0.63	0.53
3.25	0.88	0.78
4.00	0.88	0.78

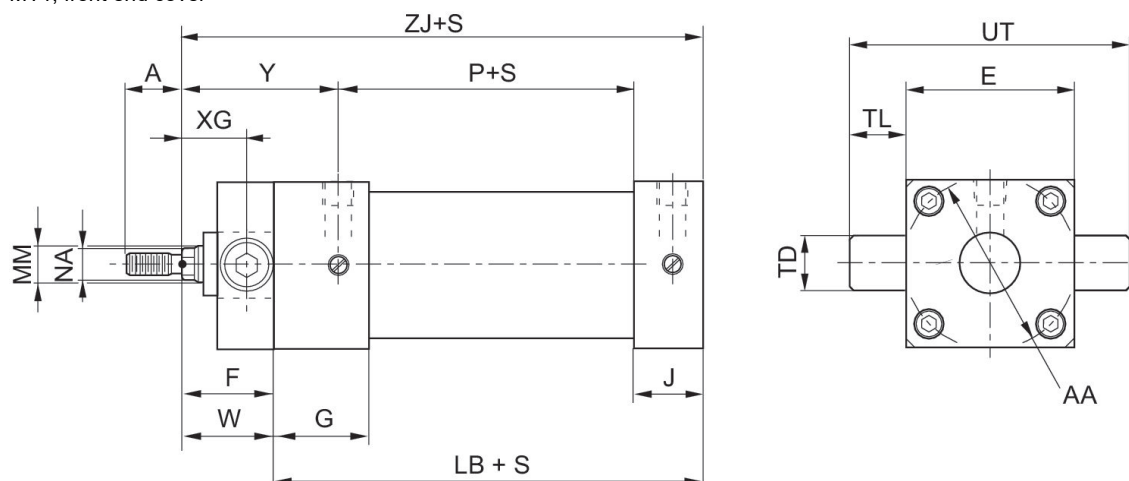
Trunnion mounting, Series MT1, MT2

For series: TaskMaster®



Piston diameter [mm]	Material	Part No.
38.1	Die-cast aluminum	R432013510
50.8	Die-cast aluminum	R432013507
63.5	Die-cast aluminum	R432013513
82.55	Die-cast aluminum	R432013489
101.6	Die-cast aluminum	R432013516

MT1, front end cover



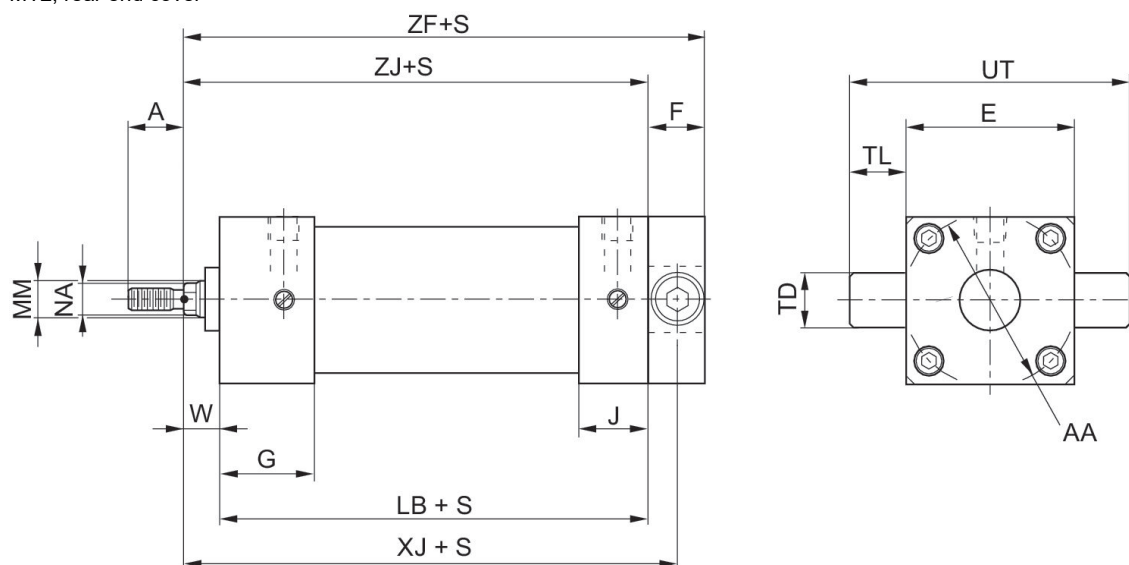
S = stroke

Dimensions in inches

Ø	Part No.	MM	E	F	W	AA	LB	TD	TL
1.5	R432013510	0.625	2.00	1.00	1.38	2.02	3.98	1.00	1.00
2.0	R432013507	0.625	2.5	1.00	1.38	2.6	3.98	1.00	1.00
2.5	R432013513	0.625	3.00	1.00	1.38	3.1	4.1	1.00	1.00
3.25	R432013489	1.00	3.75	1.00	1.5	3.90	4.86	1.00	1.00
4.0	R432013516	1.00	4.50	1.00	1.5	4.70	4.86	1.00	1.00

Ø	UT	XG	ZJ
1.5	4.00	0.12	5.6
2.0	4.5	0.12	5.6
2.5	5.00	0.12	5.72
3.25	5.77	0.25	6.61
4.0	6.49	0.25	6.61

MT2, rear end cover



S = stroke

Dimensions in inches

Ø	Part No.	MM	E	F	W	AA	LB	TD	TL
1.5	R432013510	0.625	2.00	1.00	1.38	2.02	3.98	1.00	1.00
2.0	R432013507	0.625	2.5	1.00	1.38	2.6	3.98	1.00	1.00
2.5	R432013513	0.625	3.00	1.00	1.38	3.1	4.1	1.00	1.00
3.25	R432013489	1.00	3.75	1.00	1.5	3.90	4.86	1.00	1.00
4.0	R432013516	1.00	4.50	1.00	1.5	4.70	4.86	1.00	1.00

Ø	UT	XJ	ZF	ZJ
1.5	4.00	5.1	5.63	4.6
2.0	4.5	5.1	5.63	4.6
2.5	5.00	5.22	5.75	4.72
3.25	5.77	6.11	6.63	5.61
4.0	6.49	6.11	5.63	5.61

Flange mounting, Series MF1, MF2

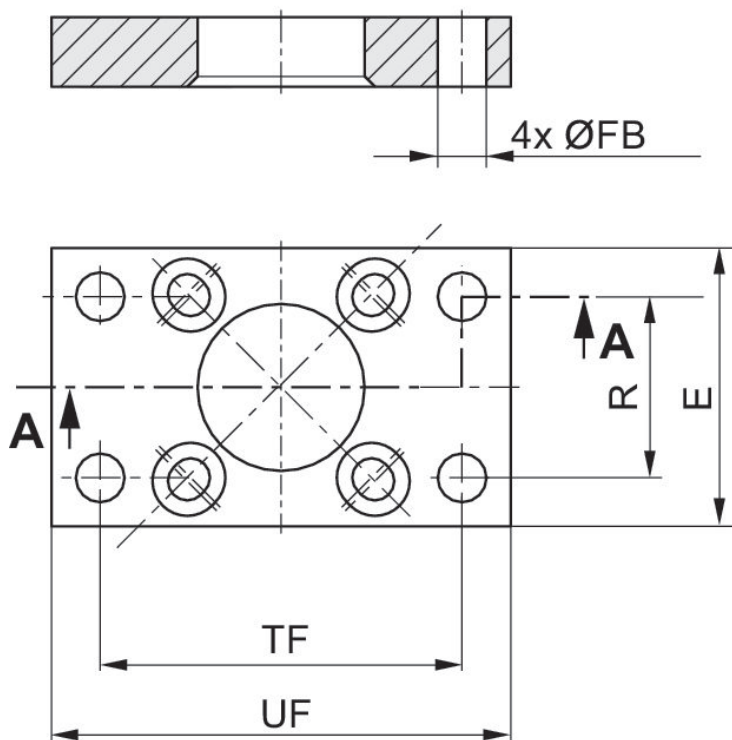
Standards: NFPA



Piston diameter [mm]	Standard-ization	Material	Part No.
38.1	NFPA	Aluminum	R432013373
50.8	NFPA	Aluminum	R432012520
63.5	NFPA	Aluminum	R432013382
82.55	NFPA	Aluminum	R432013388
101.6	NFPA	Aluminum	R432013396

Dimensions in inches

A - A



Dimensions in inches

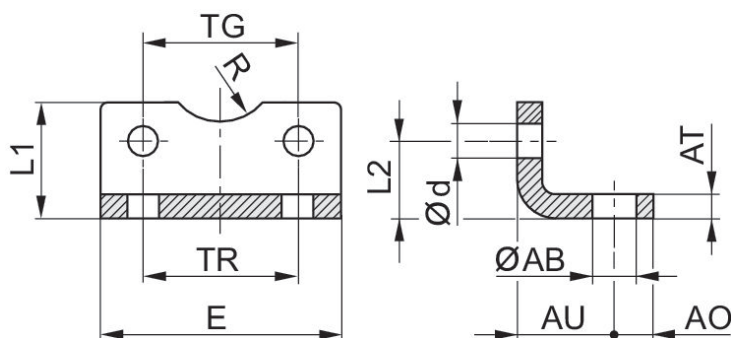
Part No.	Ø	E	Ø FB	R	TF	UF
R432013373	38.1	2.00	0.34	1.43	2.75	3.38
R432012520	50.8	2.50	0.41	1.84	3.38	4.13
R432013382	63.5	3.00	0.41	2.19	3.88	4.63
R432013388	82.55	3.50	0.47	2.76	4.69	5.50
R432013396	101.6	4.50	0.47	3.32	5.44	6.25

Foot mounting, Series MS1 NFPA



Piston diameter [mm]	Standardization	Material	Part No.
38.1	NFPA	Steel, chrome-plated	R432013623
50.8	NFPA	Steel, chrome-plated	R432013625
63.5	NFPA	Steel, chrome-plated	R432013628
82.55	NFPA	Steel, chrome-plated	R432013631
101.6	NFPA	Steel, chrome-plated	R432013634

Dimensions



Dimensions in inches

Part No.	Ø	AO	AT	AU ±0,2	Ød	E	L1	L2	R
R432013623	1.5	0.37	0.12	-	-	2.00	-	-	-
R432013625	2.0	0.37	0.12	-	-	2.50	-	-	-
R432013628	2.5	0.37	0.12	-	-	3.00	-	-	-
R432013631	3.25	0.50	0.12	-	-	3.75	-	-	-
R432013634	4.0	0.50	0.12	-	-	4.50	-	-	-

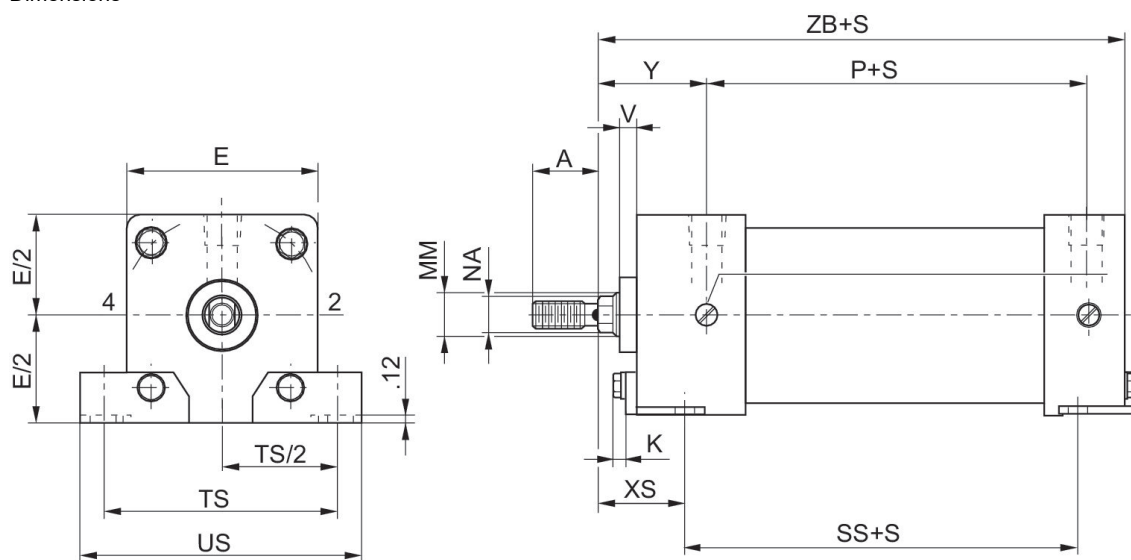
Part No.	TR
R432013623	1.25
R432013625	1.75
R432013628	2.25
R432013631	2.75
R432013634	3.50

Foot mounting, MS2 Bore size: Ø 1-1/2" - 2-1/2"



Piston diameter [mm]	Material	Part No.
38.1	Steel, chrome-plated	R432013616
50.8, 63.5	Steel, chrome-plated	R432013641

Dimensions



Dimensions in inches

Ø	Part No.	MM	C	F	K	W	SB	SS	ST
1.5	R432013616	0.625	0.75	2.00	0.23	0.59	0.44	2.88	0.12
2.0 2.5	R432013641	0.625 0.625	0.75 0.75	2.5 3.0	0.28 0.28	0.59 0.59	0.44 0.44	2.88 3.0	0.12 0.12

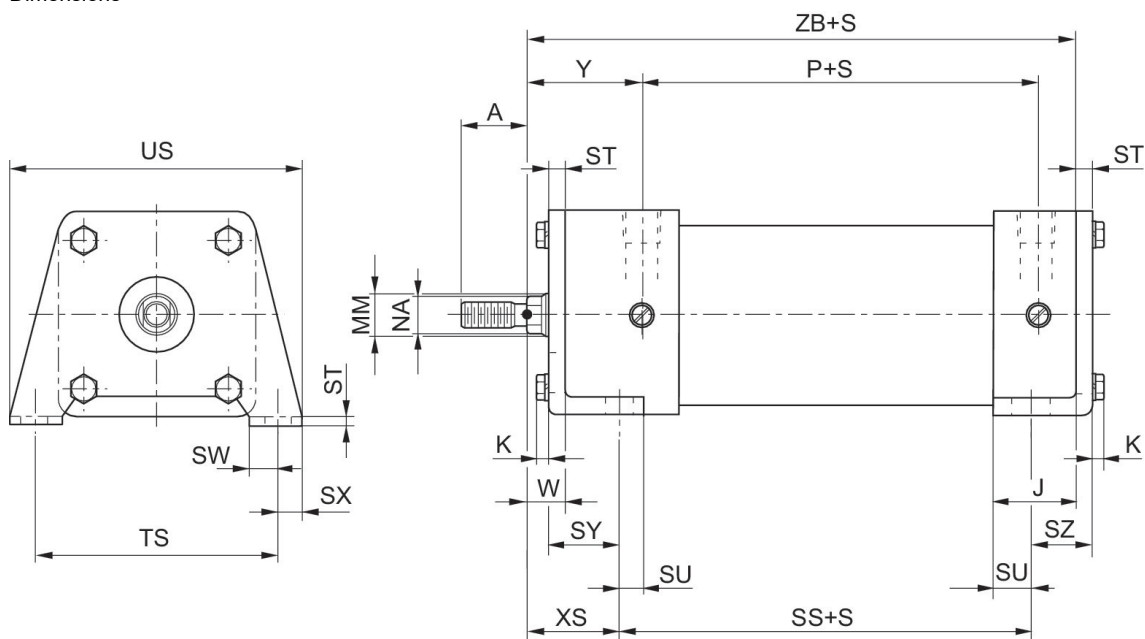
Ø	SU	SW	SY	SZ	TS	US	XS	ZB
1.5	0.48	0.88	0.9	0.5	2.75	3.43	1.38	4.62
2.0 2.5	0.48 0.48	0.88 0.88	0.9 0.9	0.5 0.5	3.32 3.67	4.08 4.43	1.38 1.38	4.62 4.75

Foot mounting, MS2 Bore size: Ø 3-1/4" - 4"



Piston diameter [mm]	Material	Part No.
82.55	Steel, chrome-plated	R432013648
101.6	Steel, chrome-plated	R432013651

Dimensions



Dimensions in inches

Ø	Part No.	MM	E	K	W	SB	SS	ST	SU
3.25	R432013648	1.0	3.75	0.34	0.75	0.56	3.25	0.25	0.62
4.0	R432013651	1.0	4.5	0.34	0.75	0.56	3.25	0.31	0.62

Ø	SW	SX	SY	SZ	TS	US	XS	ZB
3.25	0.5	0.5	1.38	0.75	4.75	5.75	1.88	5.62
4.0	0.5	0.5	1.44	0.81	5.5	6.5	1.88	5.62

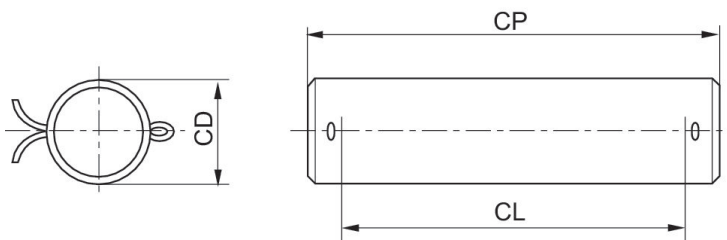
Bolts

Material: Steel, chrome-plated



Piston diameter [mm]	Part No.
38.1, 50.8, 63.5	R433012619
82.55, 101.6	R433012621

Dimensions in inches



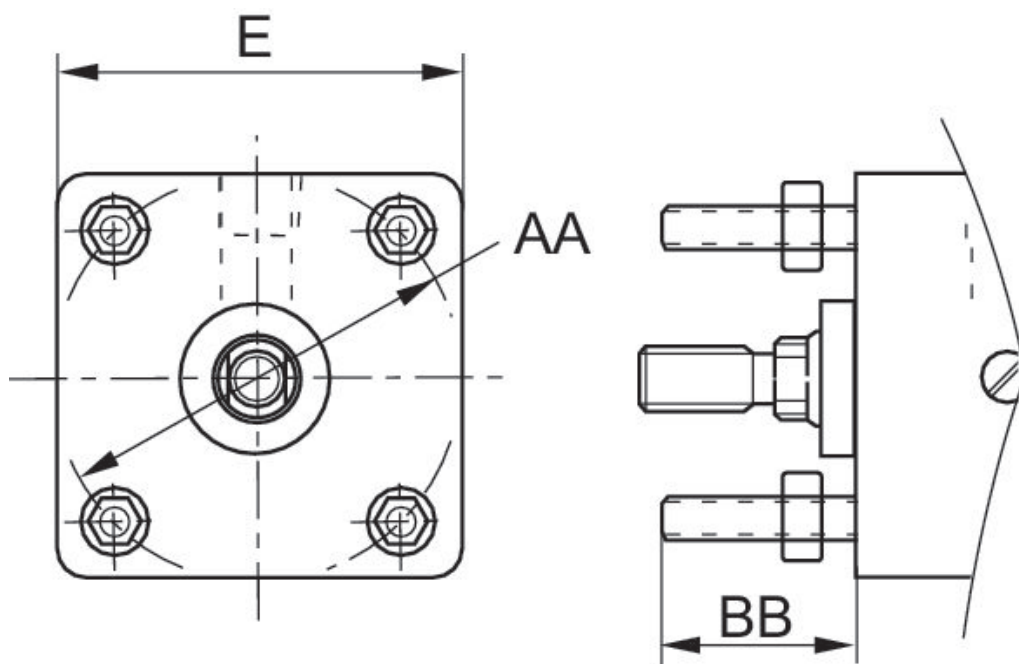
Dimensions in inches

Part No.	CD	CL	CP
R433012619	0.5	1.88	2.09
R433012621	0.75	2.62	2.88
R433012623	1.00	3.12	3.38
R433012625	1.375	4.00	4.63
R433012627	1.750	5.00	5.63

Mounting kit for extended tie rods, Series MX1, 2, 3, 4



Weight [kg]	Part No.
0.009	R432013684
0.01	R432013686
0.013	R432013688

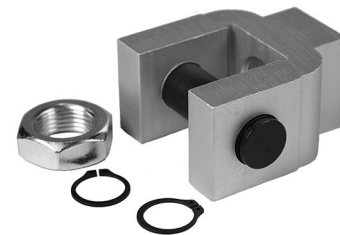


Dimensions not affected by rod diameter

Ø	E	AA	BB
1.50 inch	2.00	2.02	1.00
2 inch	2.50	2.60	1.13
2.5 inch	3.00	3.10	1.13

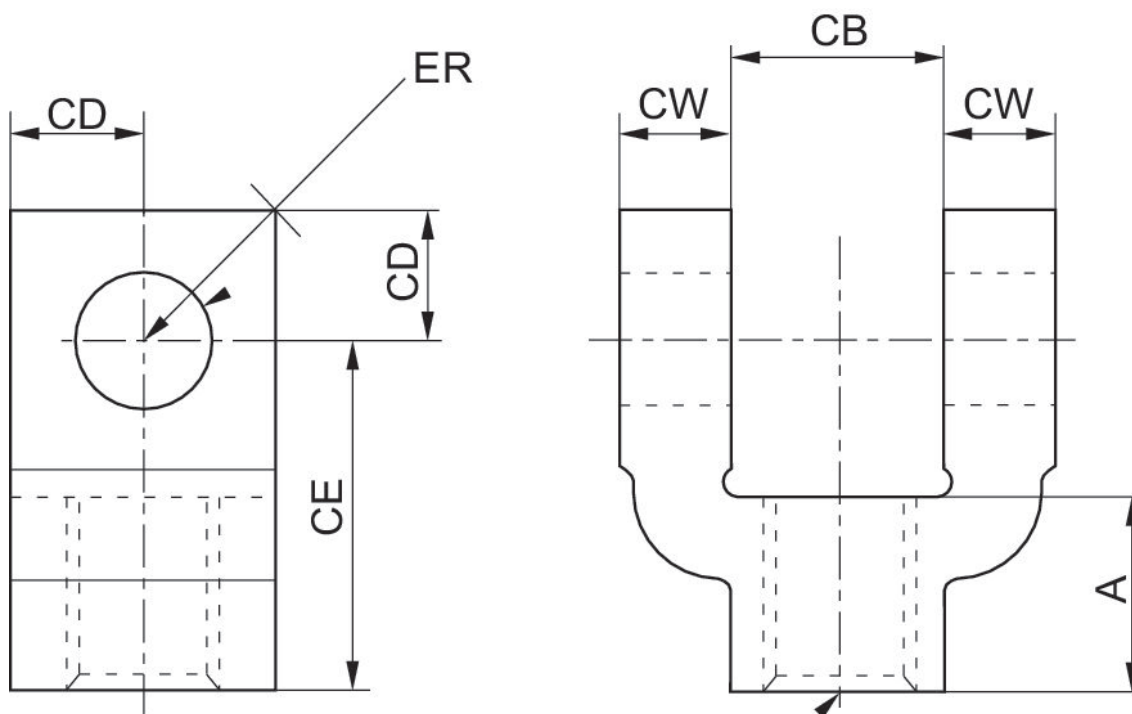
Scope of delivery: 2 kits for both ends (MX1) 1 kit for base (MX2) 1 kit for cover (MX3) 2 piston rod extensions at both ends (MX4)

Rod clevis, imperial



Weight [kg]	Part No.
0.4082	R432012516
0.4535	R432013386

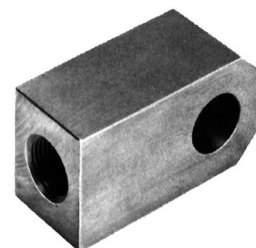
Dimensions in inches



Dimensions in inches

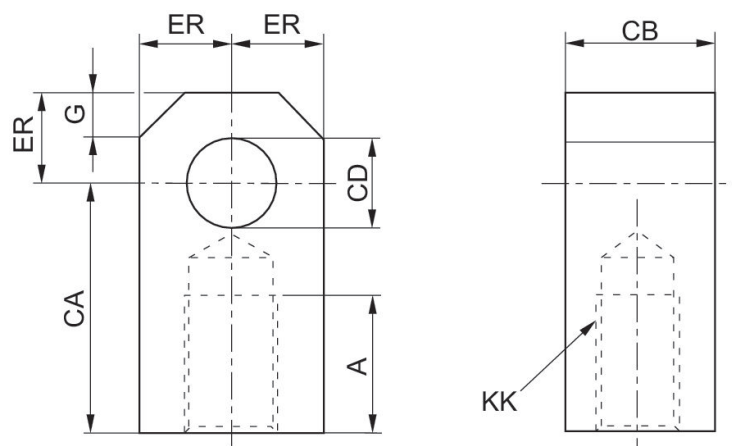
Ø	Part No.	A	CB	CD	CE	CW	ER
1.50 2.00 2.50	R432012516	0.75	0.75	0.50	1.50	0.50	0.72
3.25 4.00	R432013386	1.13	1.25	0.75	2.06	0.63	1.06

Female rod eye, EP2



Weight [kg]	Part No.
0.05	R432006533
1	R432013437

Dimensions







Dimensions in inches

Part No.	∅	A	CA	CB	CD	ER	KK
R432006533	1.50 2.00 2.50	0.88	1.50	0.75	0.50	0.56	1/2-20
R432013437	3.25 4.00	1.13	2.06	1.25	0.75	0.84	7/8-14

Efficient pneumatic solutions, our program:
cylinders and drives, valves and valve systems,
air supply management, proportional pressure
control valves



Visit us: www.Emerson.com/aventics
Your local contact: Emerson.com/contactus

-  Emerson.com
-  Facebook.com/EmersonAutomationSolutions
-  LinkedIn.com/company/Emerson-Automation-Solutions
-  Twitter.com/EMR_Automation



The Emerson logo is a trademark and service mark of Emerson Electric Co. AVENTICS is a registered trademark of one of the Emerson family of companies. All other trademarks are the property of their respective owners. © 2020 Emerson Electric Co. All rights reserved.



CONSIDER IT SOLVED™