

Series 740



AVENTICS™

**AVENTICS Series 740 Directional
valves**


EMERSON™

Series 740

The AVENTICS Series 740/840 feature directional valves with soft, abrasion-free diaphragm technology. The simple, reliable and robust design is suitable for all air qualities and ensures high repeatability and unsurpassed service life. Due to its high resilience, the corrosion-resistant polyamide housing is also suited for dusty and damp environments.

- Rugged polymer housing
- Suitable for all air qualities
- For consistently high repeatability
- Base plate assembly and block assembly possible
- Versions also available with UL and ATEX coils
- Check the compatibility index to match the coil to the valve.



Product overview

	Page
Electrically operated	
5/2-directional valve, Series 740.....	6
Basic valve without coil 700 l/min - -15 °C cold-resistant	
5/2-directional valve, Series 740, double solenoid.....	7
Basic valve without coil 700 l/min - -15 °C cold-resistant	
5/2-directional valve, Series 740.....	8
Basic valve without coil 700 l/min - -25 °C cold-resistant	
5/2-directional valve, Series 740, double solenoid.....	9
Basic valve without coil 700 l/min - -25 °C cold-resistant	
5/2-directional valve, Series 740, single solenoid.....	10
Basic valve without coil 950 l/min - -15 °C cold-resistant	
5/2-directional valve, Series 740.....	11
Basic valve without coil 950 l/min - -25 °C cold-resistant	
5/2-directional valve, Series 740.....	12
Basic valve without coil 950 l/min - -25 °C cold-resistant	
5/2-directional valve, Series 740, single solenoid.....	13
Basic valve without coil 1100 l/min - -25 °C cold-resistant	
5/2-directional valve, Series 740, double solenoid.....	14
Basic valve without coil 1100 l/min - -25 °C cold-resistant	
5/4-directional valve, Series 740.....	15
Basic valve without coil 950 l/min - -25 °C cold-resistant	
5/2-directional valve, Series 740.....	16
700 l/min - UL (Underwriters Laboratories) - Plug	
5/2-directional valve, Series 740, double solenoid.....	18
700 l/min - UL (Underwriters Laboratories) - Plug	
5/2-directional valve, Series 740, single solenoid.....	20
-25 °C cold-resistant - Plug	
5/2-directional valve, Series 740, double solenoid.....	22
Plug	
5/2-directional valve, Series 740.....	24
950 l/min - -25 °C cold-resistant - corrosion-protected - Plug	
5/2-directional valve, Series 740, double solenoid.....	26
950 l/min - corrosion-protected - Plug	
5/2-directional valve, Series 740, double solenoid.....	27
950 l/min - corrosion-protected - Plug	
5/2-directional valve, Series 740, single solenoid.....	29
1100 l/min - -25 °C cold-resistant - Plug	
5/2-directional valve, Series 740, double solenoid.....	31
1100 l/min - Plug	
5/4-directional valve, Series 740.....	33
700 l/min - UL (Underwriters Laboratories) - Plug - Exhausted Center	
5/4-directional valve, Series 740.....	35
700 l/min Switching position 4 (coils a and b = actuated) - UL (Underwriters Laboratories) - Plug - Closed Center	
5/4-directional valve, Series 740.....	37
700 l/min Switching position 4 (coils a and b = actuated) - Plug - 5/4, pressurized center	
5/4-directional valve, Series 740.....	38
950 l/min Switching position 4 (coils a and b = actuated) - Plug - 5/4, pressurized center	

Product overview

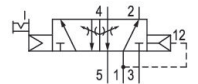
	Page
5/4-directional valve, Series 740.....	40
Switching position 4 (coils a and b = actuated) - Plug - 5/4, pressurized center	
5/4-directional valve, Series 740.....	42
Switching position 4 (coils a and b = actuated) - Plug - 5/4, closed center	
5/4-directional valve, Series 740.....	44
Switching position 4 (coils a and b = actuated) - Plug - 5/4, closed center	
Electrically operated, imperial	
5/2-directional valve, Series 740, single solenoid.....	45
5/2-directional valve, Series 740, double solenoid.....	47
Plug	
5/2-directional valve, Series 740, single solenoid.....	49
corrosion-protected - Plug	
5/2-directional valve, Series 740, corrosion-resistant.....	51
corrosion-protected - Plug	
5/4-directional valve, Series 740.....	53
Plug - 5/4, exhausted center	
5/4-directional valve, Series 740.....	55
Plug - 5/4, closed center	
Pneumatically operated	
5/2-directional valve, Series 740, Single Air Pilot.....	57
5/2-directional valve, Series 740, Single Air Pilot.....	59
corrosion-protected	
5/2-directional valve, Series 740, Double Air Pilot.....	61
5/2, double air pilot	
5/2-directional valve, Series 740, Double Air Pilot.....	63
corrosion-protected - Suitable for ATEX - 5/2, double air pilot	
Pneumatically operated, imperial	
5/2-directional valve, Series 740, Single Air Pilot.....	65
5/2-directional valve, Series 740, Double Air Pilot.....	68
5/2, double air pilot	
Accessories overview Electrical accessories	
Valve plug connector with cable series CON-VP, Form A.....	71
230 V AC/DC	
Valve plug connector with cable series CON-VP, Form A.....	73
Varistor - 230 V AC/DC	
Valve plug connector, series CON-VP, Form A, 24 V AC/DC, Flat gasket.....	75
Valve plug connector, series CON-VP, form A, 115/230 V AC/DC.....	77
Contact bridges, series CON-CB.....	79
1x solenoid	
Contact bridges, series CON-CB.....	80
1x solenoid	
Coil, Series CO2, form A, class F, polyamide.....	82
Check the compatibility index to match the coil to the valve. - Plug	
Coil, Series CO1, ATEX.....	84
With valve plug connector - ATEX	
Coil, Series CO1, with cable, ATEX.....	86
Cable with valve plug connector - ATEX	

Product overview

	Page
Adapter, Series CON-VP, from form A to form C..... from form A to form C	88
Accessories overview Mechanical accessories	
Fittings - Accessories, Series 740.....	89
Subbases and accessories.....	93
Subbases and accessories.....	95
P-manifold.....	97

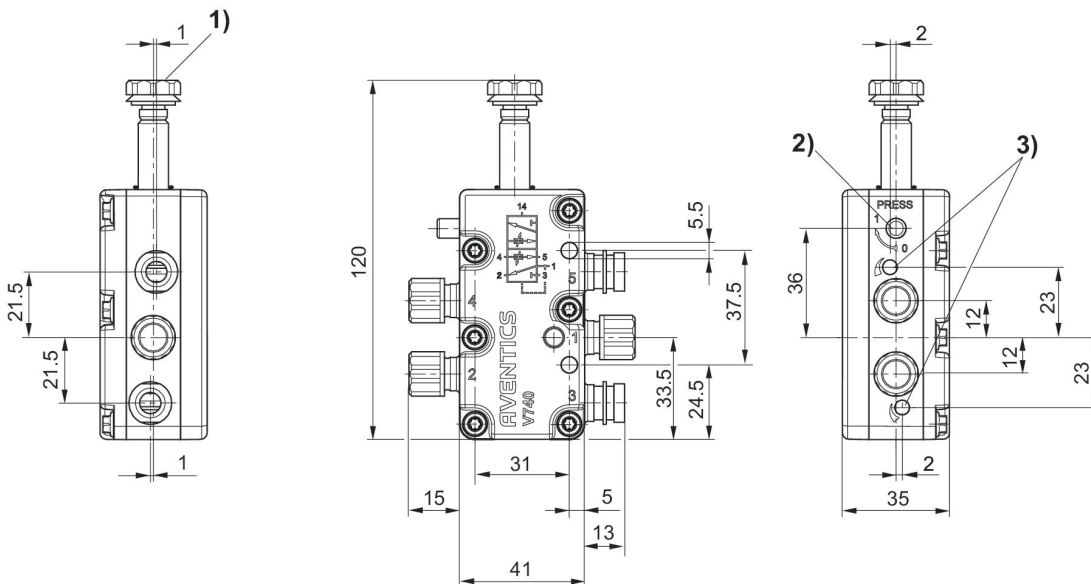
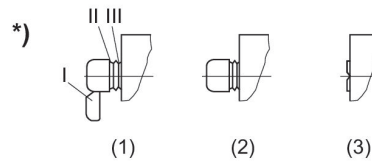
5/2-directional valve, Series 740

Flow: 700 l/min
 Activation: Electrically
 Compressed air connection input: Ø 8x1
 Duty cycle: 100 %
 Type: Diaphragm poppet valve
 Ambient temperature min./max.: -25 °C ... 50 °C
 Medium temperature min./max.: -25 °C ... 50 °C
 Working pressure min./max.: 1.5 bar ... 10 bar



Switching principle	Compressed air connection input	Compressed air connection output	Compressed air connection, exhaust	Pilot	Manual override	Compatibility index	Part No.
5/2, with air spring return	Ø 8x1	Ø 8x1	M14x1	Internal	with detent	52	5727405402

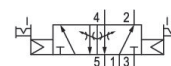
Dimensions in mm



- 1) M5 internal thread accessible under cap
 - 2) Manual override and position indicator
 - 3) Throttle screw for exhausts 5 (R) and 3 (S) (S)
- * Manual override: Manual actuation: (1) with detent - push and turn into position 1 (2) without detent - remove segment I - push only Actuation with tool: (3) with detent - remove segments up to II - push with tool and turn into position 1

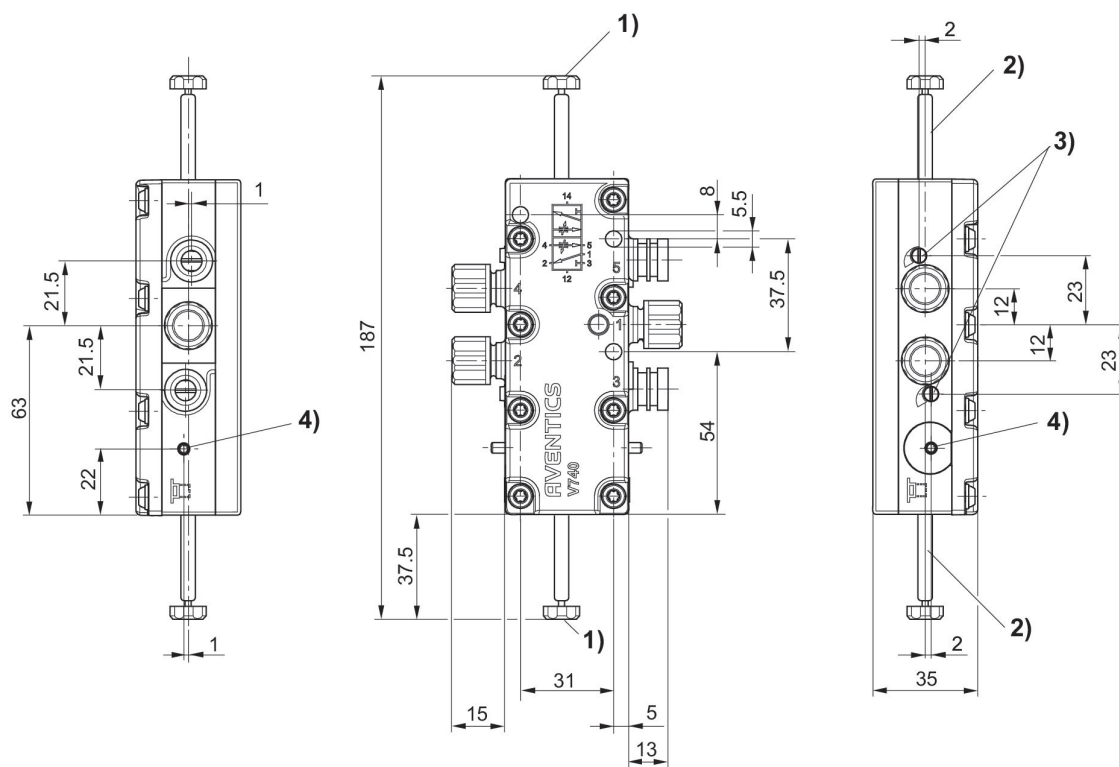
5/2-directional valve, Series 740, double solenoid

Flow: 700 l/min
 Activation: Electrically
 Basic valve equipment: Basic valve without coil
 Compressed air connection input: Ø 8x1
 Duty cycle: 100 %
 Type: Diaphragm poppet valve
 Ambient temperature min./max.: -25 °C ... 50 °C
 Medium temperature min./max.: -25 °C ... 50 °C
 Working pressure min./max.: 1.5 bar ... 10 bar



Switching principle	Compressed air connection input	Compressed air connection output	Compressed air connection, exhaust	Pilot	Manual override	Compatibility index	Part No.
5/2, double solenoid	Ø 8x1	Ø 8x1	M14x1	Internal	with detent	52	R412029313

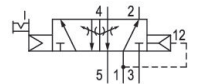
Dimensions in mm



- 1) M5 internal thread
- 2) Coil can be plugged at 45° intervals
- 3) Throttle screw for exhausts 5 (R) and 3 (S) (S)
- 4) Manual override and position indicator

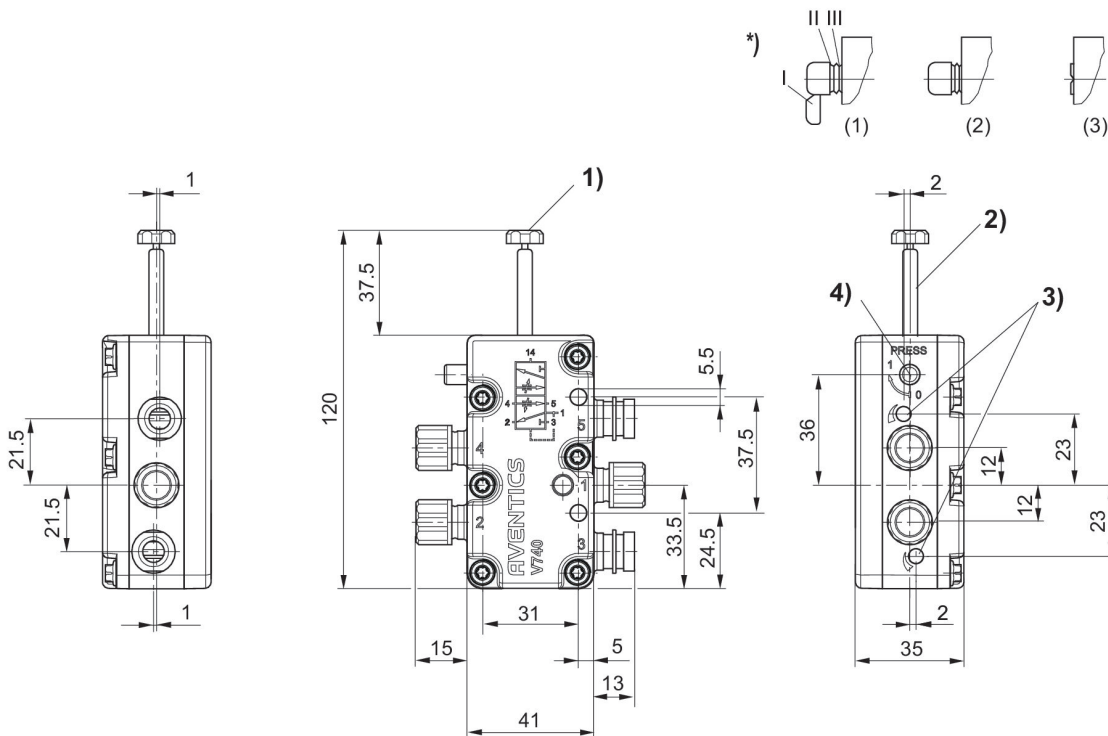
5/2-directional valve, Series 740

Flow: 700 l/min
 Activation: Electrically
 Basic valve equipment: Basic valve without coil
 Compressed air connection input: Ø 8x1
 Duty cycle: 100 %
 Type: Diaphragm poppet valve
 Ambient temperature min./max.: -25 °C ... 50 °C
 Medium temperature min./max.: -25 °C ... 50 °C
 Working pressure min./max.: 1.5 bar ... 10 bar



Switching principle	Compressed air connection input	Compressed air connection output	Compressed air connection, exhaust	Pilot	Manual override	Compatibility index	Part No.
5/2, with air spring return	Ø 8x1	Ø 8x1	M14x1	Internal	with detent	52	R412029314

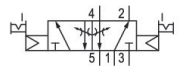
Dimensions in mm



1) M 5 internal thread 2) coil can be plugged at 45° intervals 3) throttle screw for exhausts 5 (R) and 3 (S) (S) 4) manual override and position indicator *) : manual override: manual actuation: (1) with detent - push and turn into position 1 (2) without detent - remove segment 1 - push only actuation by tool: (3) with detent - remove segments up to III - push with tool and turn into position 1

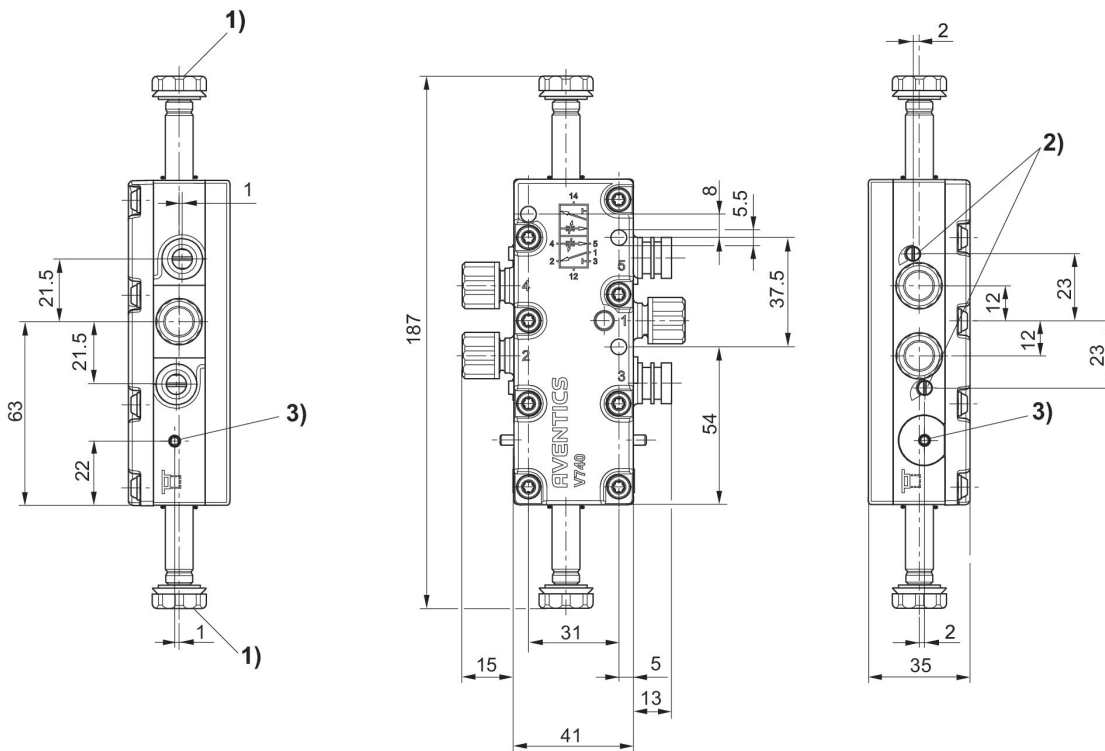
5/2-directional valve, Series 740, double solenoid

Flow: 700 l/min
 Activation: Electrically
 Basic valve equipment: Basic valve without coil
 Compressed air connection input: Ø 8x1
 Duty cycle: 100 %
 Type: Diaphragm poppet valve
 Ambient temperature min./max.: -25 °C ... 50 °C
 Medium temperature min./max.: -25 °C ... 50 °C
 Working pressure min./max.: 1.5 bar ... 10 bar



Switching principle	Compressed air connection input	Compressed air connection output	Compressed air connection, exhaust	Pilot	Manual override	Compatibility index	Part No.
5/2, double solenoid	Ø 8x1	Ø 8x1	M14x1	Internal	with detent	52	5727415402

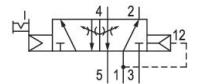
Dimensions in mm



- 1) M5 internal thread accessible under cap
- 2) Throttle screw for exhausts 5 (R) and 3 (S) (S)
- 3) Manual override and position indicator

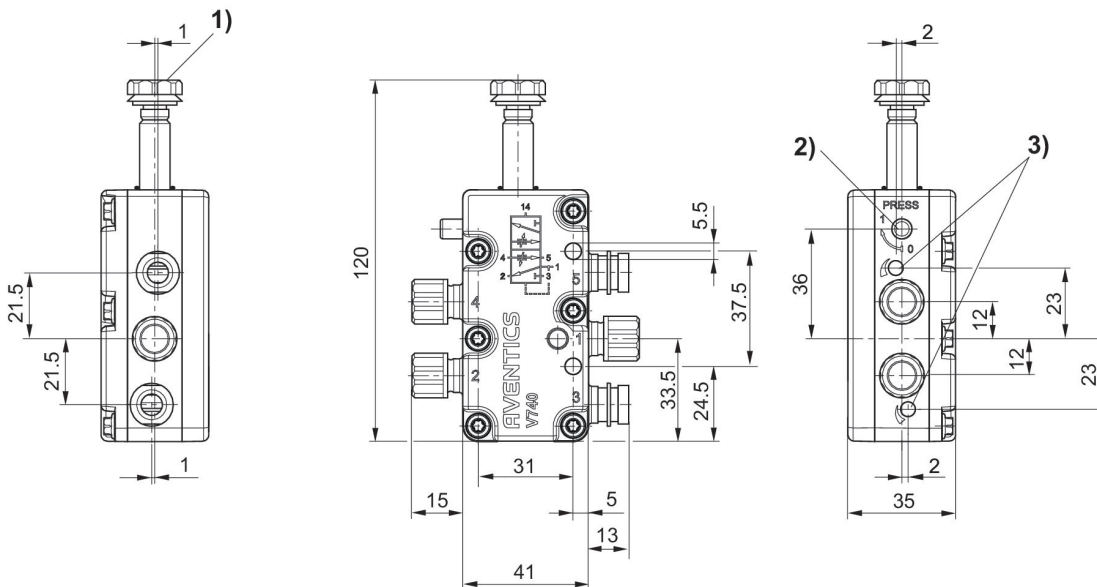
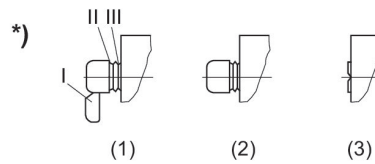
5/2-directional valve, Series 740, single solenoid

Flow: 950 l/min
 Activation: Electrically
 Compressed air connection input: Ø 10x1
 Duty cycle: 100 %
 Type: Diaphragm poppet valve
 Ambient temperature min./max.: -25 °C ... 50 °C
 Medium temperature min./max.: -25 °C ... 50 °C
 Working pressure min./max.: 1.5 bar ... 10 bar



Switching principle	Compressed air connection input	Compressed air connection output	Compressed air connection, exhaust	Pilot	Manual override	Compatibility index	Part No.
5/2, with air spring return	Ø 10x1	Ø 10x1	M14x1	Internal	with detent	52	5727455402

Dimensions in mm



1) M5 internal thread accessible under cap

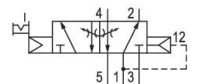
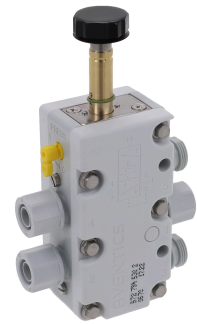
2) Manual override and position indicator

3) Throttle screw for exhausts 5 (R) and 3 (S) (S)

* Manual override: Manual actuation: (1) with detent - push and turn into position 1 (2) without detent - remove segment I - push only Actuation with tool: (3) with detent - remove segments up to II - push with tool and turn into position 1

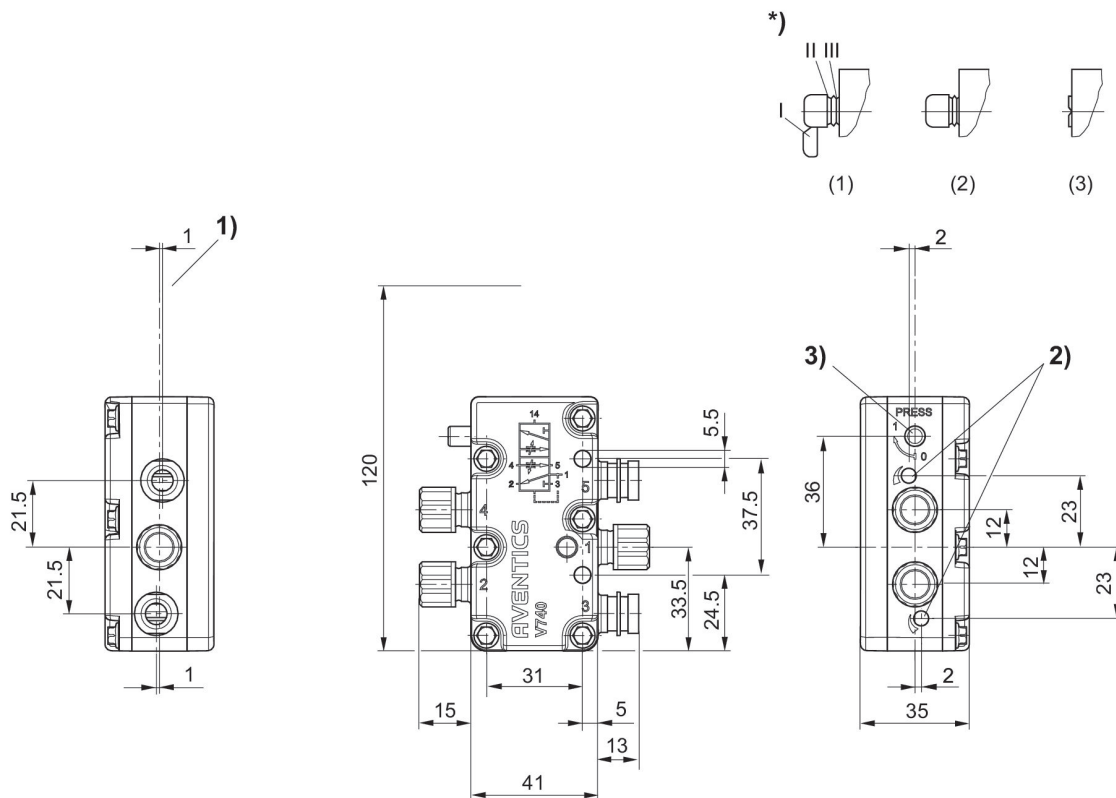
5/2-directional valve, Series 740

Flow: 950 l/min
 Activation: Electrically
 Actuating control: Single Solenoid
 Compressed air connection input: Ø 10x1
 Duty cycle: 100 %
 Type: Diaphragm poppet valve
 Ambient temperature min./max.: -25 °C ... 50 °C
 Medium temperature min./max.: -25 °C ... 50 °C
 Working pressure min./max.: 1.5 bar ... 10 bar



Switching principle	Compressed air connection input	Compressed air connection output	Compressed air connection, exhaust	Pilot	Manual override	Compatibility index	Part No.
5/2, with air spring return	Ø 10x1	Ø 10x1	M14x1	Internal	with detent	52	5727945402

Dimensions in mm

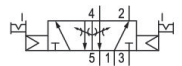


- 1) M5 internal thread accessible under cap
- 2) Throttle screw for exhausts 5 (R) and 3 (S) (S)
- 3) Manual override and position indicator

* Manual override: Manual actuation: (1) with detent - push and turn into position 1 (2) without detent - remove segment I - push only Actuation with tool: (3) with detent - remove segments up to II - push with tool and turn into position 1

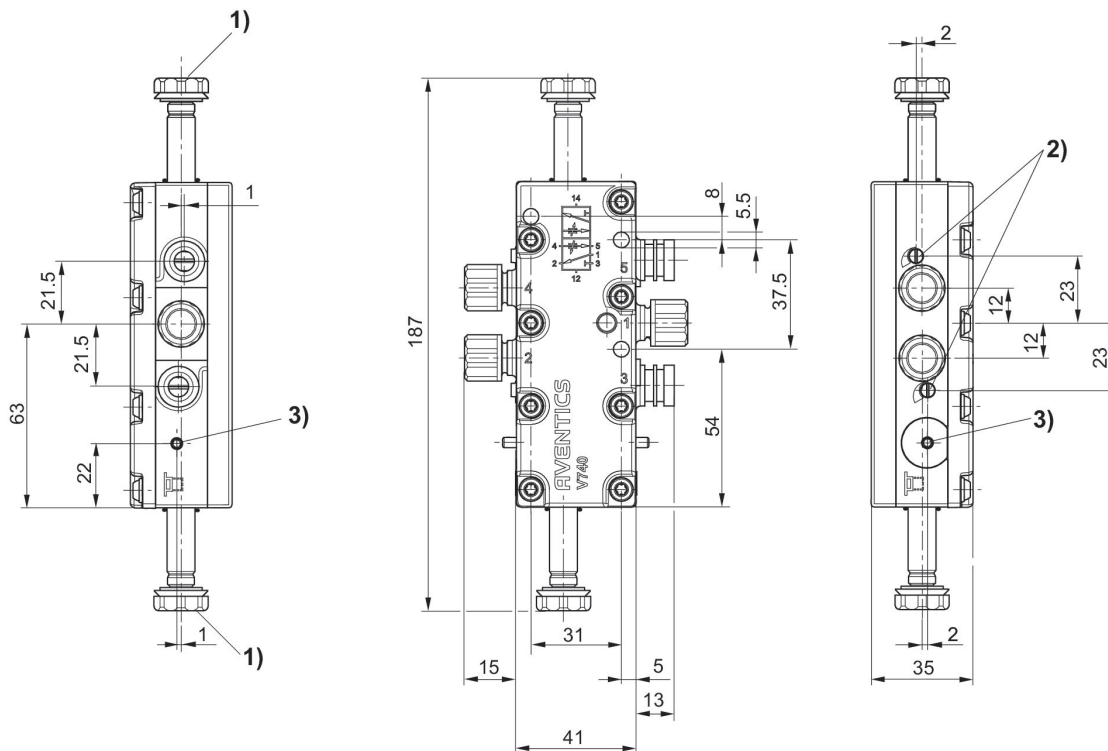
5/2-directional valve, Series 740

Flow: 950 l/min
 Activation: Electrically
 Actuating control: Double Solenoid
 Compressed air connection input: Ø 10x1
 Duty cycle: 100 %
 Type: Diaphragm poppet valve
 Ambient temperature min./max.: -25 °C ... 50 °C
 Medium temperature min./max.: -25 °C ... 50 °C
 Working pressure min./max.: 1.5 bar ... 10 bar



Switching principle	Compressed air connection input	Compressed air connection output	Compressed air connection, exhaust	Pilot	Manual override	Compatibility index	Part No.
5/2, double solenoid	Ø 10x1	Ø 10x1	M14x1	Internal	with detent	52	5727465402

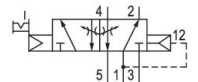
Dimensions in mm



- 1) M5 internal thread accessible under cap
- 2) Throttle screw for exhausts 5 (R) and 3 (S)
- 3) Manual override and position indicator

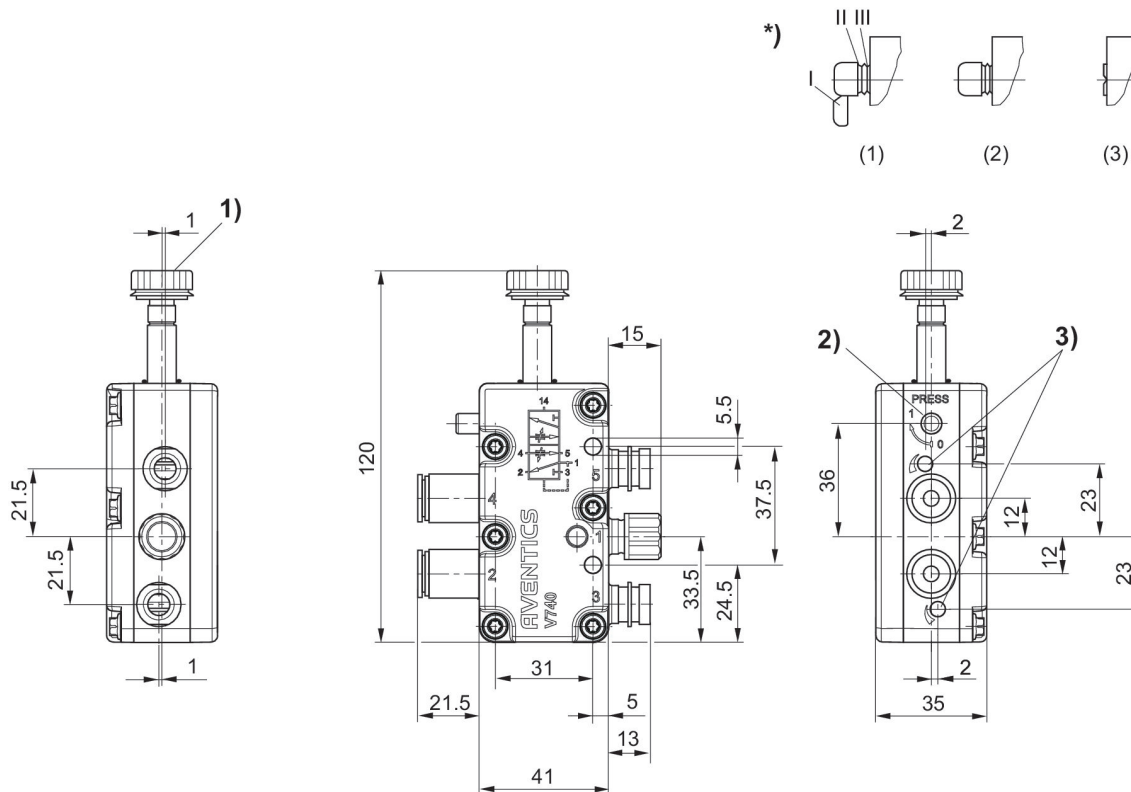
5/2-directional valve, Series 740, single solenoid

Flow: 1100 l/min
 Activation: Electrically
 Actuating control: Single Solenoid
 Compressed air connection input: Ø 10x1
 Duty cycle: 100 %
 Type: Diaphragm poppet valve
 Ambient temperature min./max.: -25 °C ... 50 °C
 Medium temperature min./max.: -25 °C ... 50 °C
 Working pressure min./max.: 1.5 bar ... 10 bar



Switching principle	Compressed air connection input	Compressed air connection output	Compressed air connection, exhaust	Pilot	Manual override	Compatibility index	Part No.
5/2, with air spring return	Ø 10x1	Ø 10x1	M14x1	Internal	with detent	52	5727475402

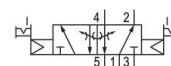
Dimensions in mm



- 1) M5 internal thread accessible under cap
 - 2) Manual override and position indicator
 - 3) Throttle screw for exhausts 5 (R) and 3 (S) (S)
- * Manual override: Manual actuation: (1) with detent - push and turn into position 1 (2) without detent - remove segment I - push only Actuation with tool: (3) with detent - remove segments up to II - push with tool and turn into position 1

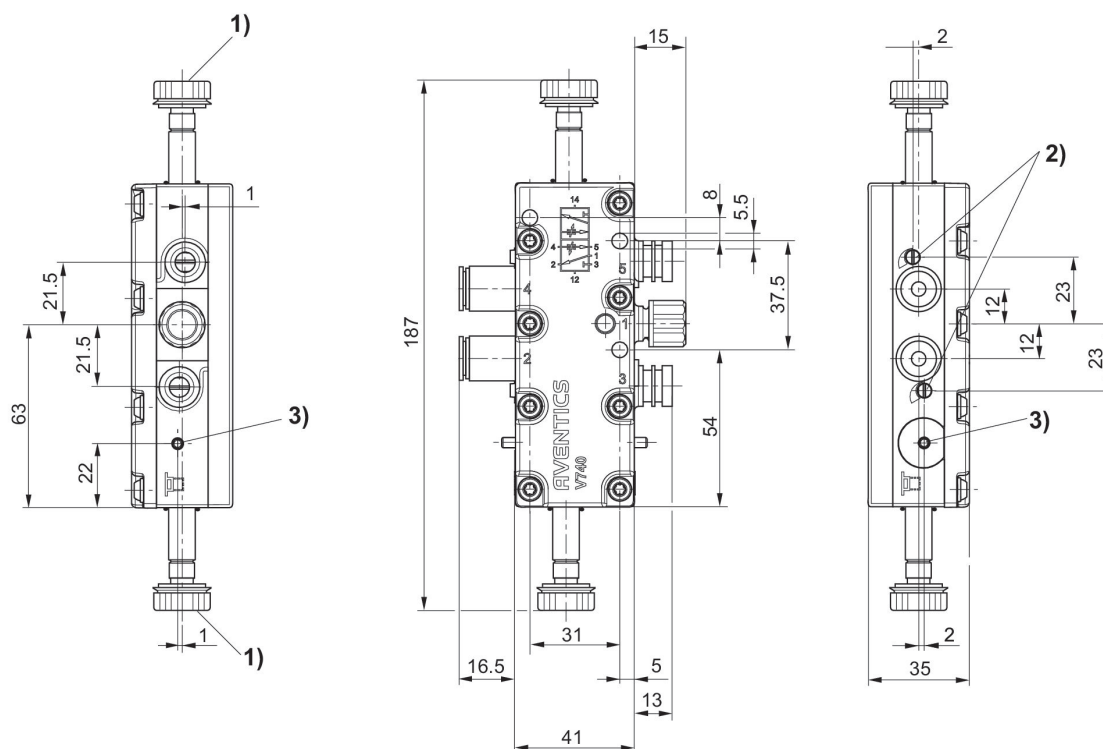
5/2-directional valve, Series 740, double solenoid

Flow: 1100 l/min
 Activation: Electrically
 Actuating control: Double Solenoid
 Compressed air connection input: Ø 10x1
 Duty cycle: 100 %
 Type: Diaphragm poppet valve
 Ambient temperature min./max.: -25 °C ... 50 °C
 Medium temperature min./max.: -25 °C ... 50 °C
 Working pressure min./max.: 1.5 bar ... 10 bar



Switching principle	Compressed air connection input	Compressed air connection output	Compressed air connection, exhaust	Pilot	Manual override	Compatibility index	Part No.
5/2, double solenoid	Ø 10x1	Ø 10x1	M14x1	Internal	with detent	52	5727485402

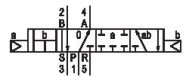
Dimensions in mm



- 1) M5 internal thread accessible under cap
- 2) Throttle screw for exhausts 5 (R) and 3 (S) (S)
- 3) Manual override and position indicator

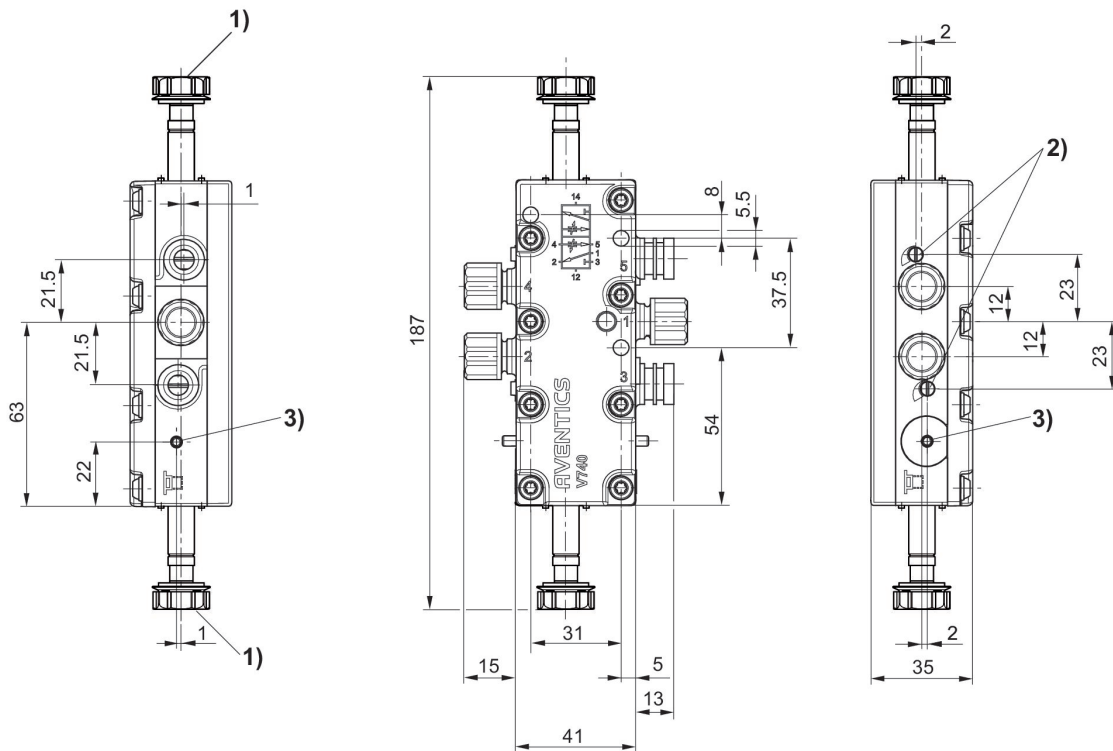
5/4-directional valve, Series 740

Flow: 950 l/min
 Activation: Electrically
 Compressed air connection input: Ø 10x1
 Duty cycle: 100 %
 Type: Diaphragm poppet valve
 Ambient temperature min./max.: -25 °C ... 50 °C
 Medium temperature min./max.: -25 °C ... 50 °C
 Working pressure min./max.: 1.5 bar ... 10 bar



Switching principle	Compressed air connection input	Compressed air connection output	Compressed air connection, exhaust	Pilot	Manual override	Compatibility index	Part No.
5/4, pressurized center	Ø 10x1	Ø 10x1	M14x1	Internal	without detent	52	5727565402

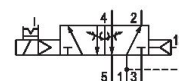
Dimensions in mm



- 1) M5 internal thread accessible under cap
- 2) Throttle screw for exhausts 5 (R) and 3 (S) (S)
- 3) Manual override and position indicator

5/2-directional valve, Series 740

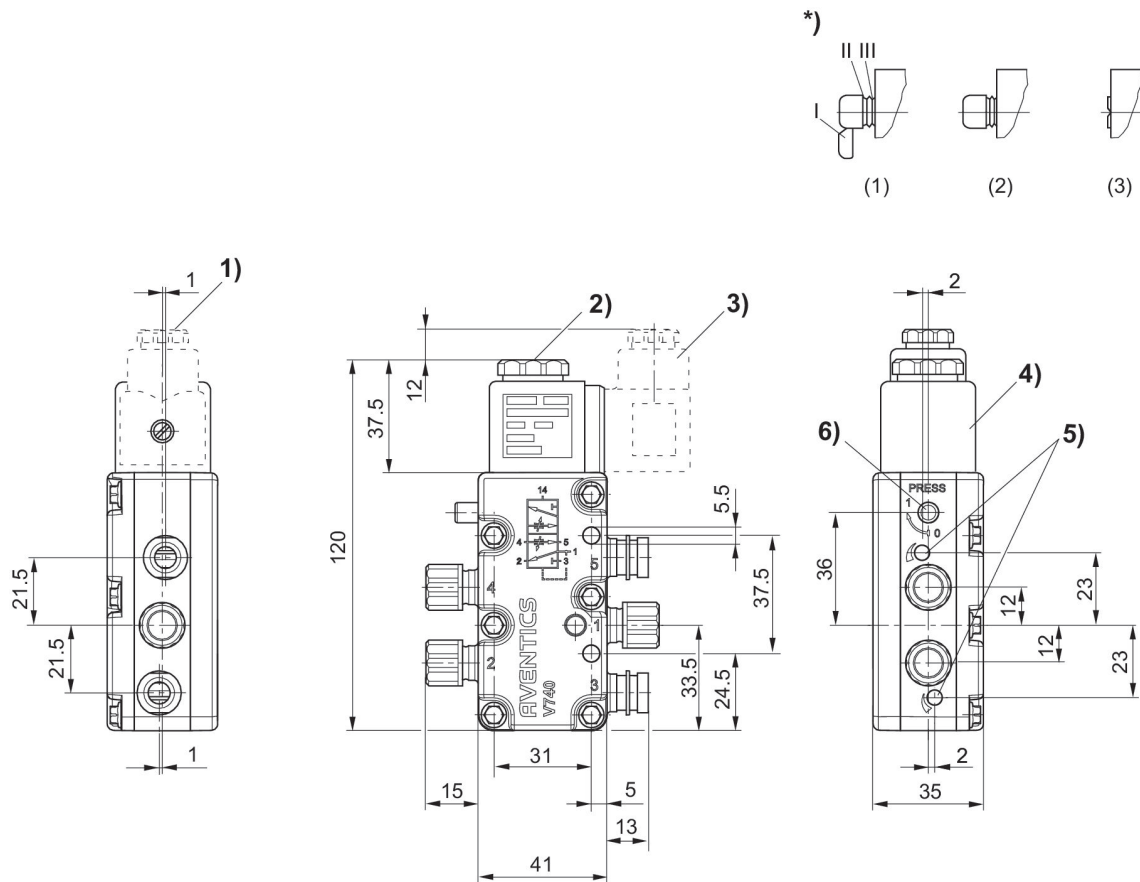
Activation: Electrically
 Actuating control: Single Solenoid
 Manual override: with detent, without detent
 Electrical connection 2, thread size: EN 175301-803, form A
 Compressed air connection type: Internal thread, plug-in with tube nut
 Duty cycle: 100 %
 Type: Diaphragm poppet valve
 Ambient temperature min./max.: -25 °C ... 50 °C
 Medium temperature min./max.: -25 °C ... 50 °C
 Working pressure min./max.: 1.5 bar ... 10 bar



Switching principle	Compressed air connection input	Compressed air connection output	Compressed air connection, exhaust	Operational voltage	Operational voltage AC at 50 Hz	Operational voltage AC at 60 Hz	Voltage tolerance DC	Part No.
5/2, with air spring return	3/8"	3/8"	M14x1	24 V DC			-10 % / +10 %	R432038437
5/2, with air spring return	3/8"	3/8"	M14x1	110 V AC	110 V	110 V		R432038419

Pilot	Manual override		Compatibility index	Part No.
Internal	with detent	Without valve plug connector	52	R432038437
Internal	with detent	Without valve plug connector	52	R432038419

Dimensions



- 1) Gland fitting M16x1.5
- 2) M5 internal thread accessible under cap
- 3) Valve plug connector can be rotated at 90° intervals (not included in scope of delivery)
- 4) Coil can be plugged at 45° intervals
- 5) Flow control screw for exhausts 5 (R) and 3 (S)
- 6) Manual override and position indicator

*) Manual override:

Manual actuation: (1) with detent - push and turn into position 1 (2) without detent - remove segment I - push only
Actuation with tool: (3) with detent - remove segments up to II - push with tool and turn into position 1

5/2-directional valve, Series 740, double solenoid

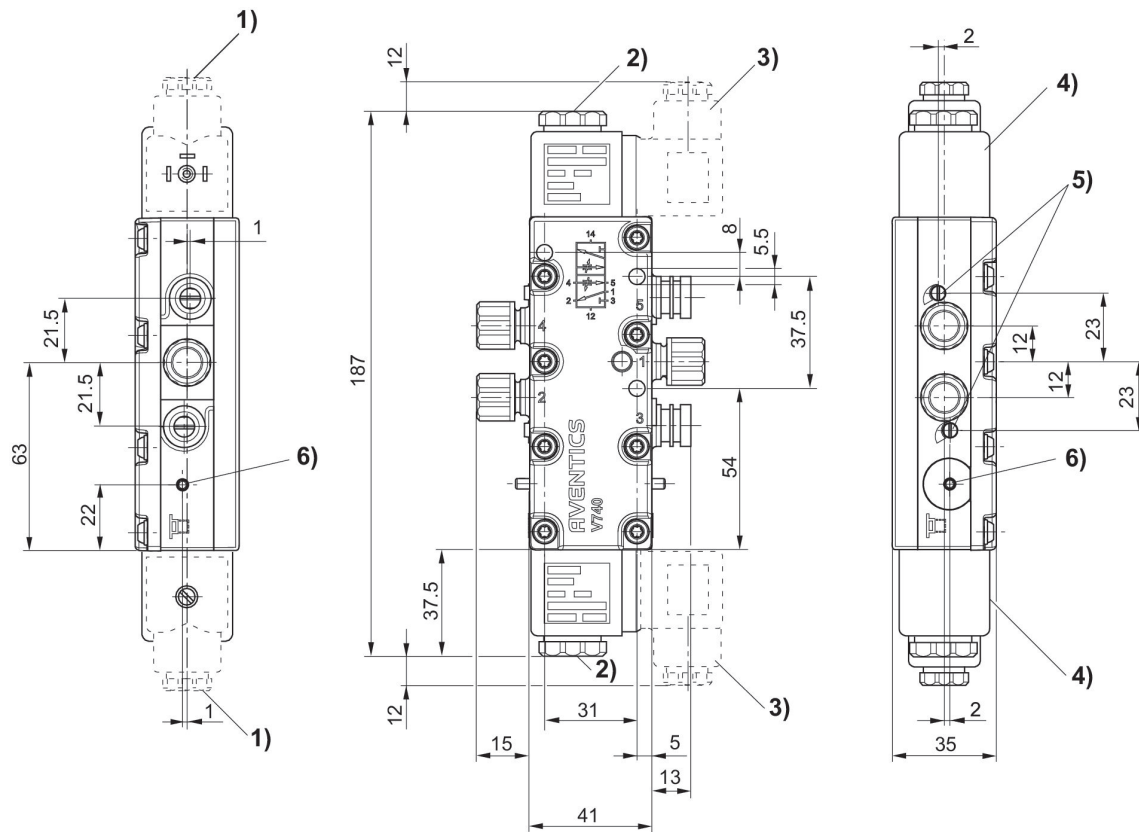
Activation: Electrically
 Actuating control: Double Solenoid
 Manual override: with detent, without detent
 Electrical connection 2, thread size: EN 175301-803, form A
 Compressed air connection type: Internal thread, plug-in with tube nut
 Compressed air connection input: Ø 3/8
 Compressed air connection output: Ø 3/8
 Compressed air connection, exhaust: M14x1
 Duty cycle: 100 %
 Type: Diaphragm poppet valve
 Ambient temperature min./max.: -15 °C ... 50 °C
 Medium temperature min./max.: -15 °C ... 50 °C
 Working pressure min./max.: 1.5 bar ... 10 bar



Switching principle	Compressed air connection input	Compressed air connection output	Compressed air connection, exhaust	Operational voltage	Operational voltage AC at 50 Hz	Operational voltage AC at 60 Hz	Voltage tolerance DC	Part No.
5/2, double solenoid	3/8"	3/8"	M14x1	24 V DC			-10 % / +10 %	R432038438
5/2, double solenoid	3/8"	3/8"	M14x1	110 V AC	110 V	110 V		R432038420

Pilot	Manual override		Compatibility index	Part No.
Internal	with detent	Without valve plug connector	52	R432038438
Internal	with detent	Without valve plug connector	52	R432038420

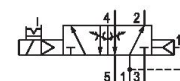
Dimensions



- 1) 1) Gland fitting M16x1.5
- 2) 2) M5 internal thread accessible under cap
- 3) 3) Valve plug connector can be rotated at 90° intervals (not included in scope of delivery)
- 4) 4) Coil can be plugged at 45° intervals
- 5) 5) Flow control screw for exhausts 5 (R) and 3 (S)
- 6) 6) Manual override and position indicator

5/2-directional valve, Series 740, single solenoid

Activation: Electrically
 Manual override: without detent, with detent
 Electrical connection 2, thread size: EN 175301-803, form A
 Compressed air connection type: Internal thread, plug-in with tube nut
 Compressed air connection, exhaust: M14x1
 Duty cycle: 100 %
 Type: Diaphragm poppet valve
 Ambient temperature min./max.: -25 °C ... 50 °C
 Medium temperature min./max.: -25 °C ... 50 °C
 Working pressure min./max.: 1.5 bar ... 10 bar

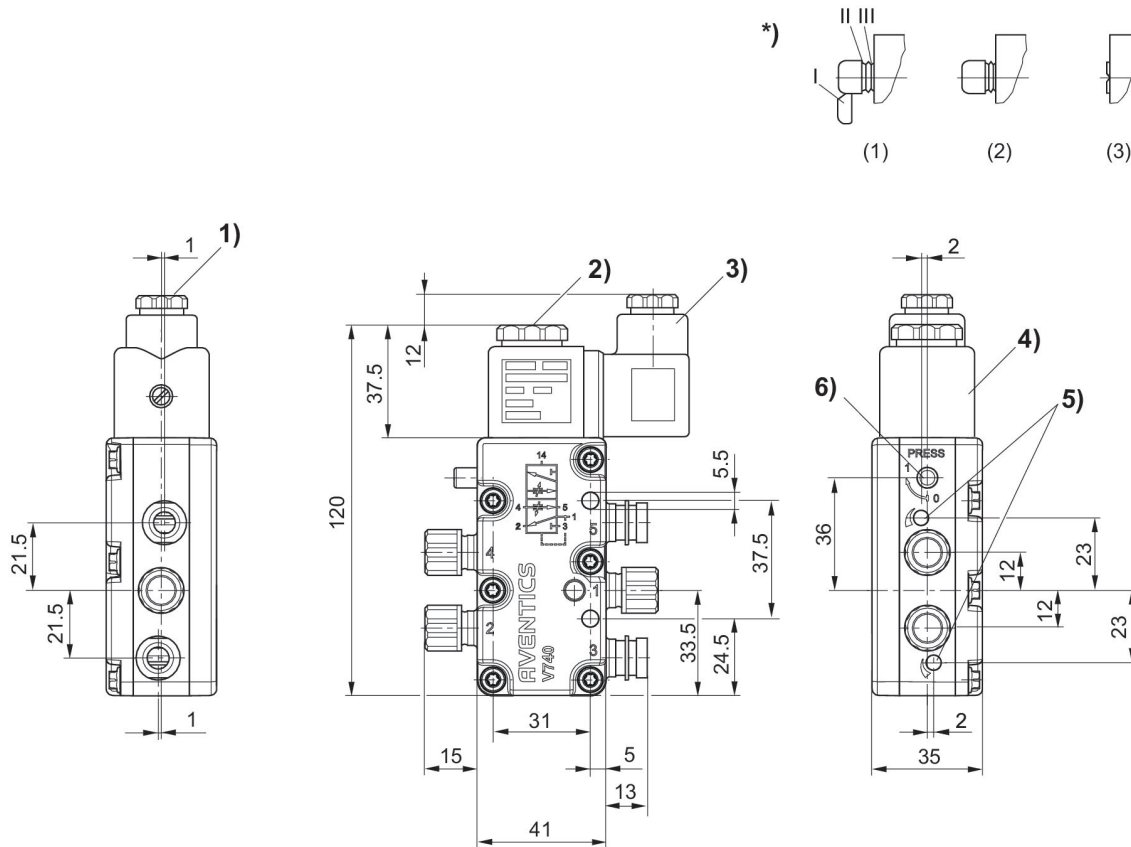


Switching principle	Compressed air connection input	Compressed air connection output	Compressed air connection, exhaust	Operational voltage	Operational voltage AC at 50 Hz	Operational voltage AC at 60 Hz	Voltage tolerance DC	Part No.
5/2, with air spring return	Ø 8x1	Ø 8x1	M14x1	24 V DC			-10 % / +10 %	5727400220
5/2, with air spring return	Ø 8x1	Ø 8x1	M14x1	24 V DC			-10 % / +10 %	5727400420
5/2, with air spring return	Ø 8x1	Ø 8x1	M14x1	24 V DC			-10 % / +10 %	5727420220
5/2, with air spring return	Ø 10x1	Ø 10x1	M14x1	24 V DC			-10 % / +10 %	5727450220
5/2, with air spring return	Ø 10x1	Ø 10x1	M14x1	24 V DC			-10 % / +10 %	5727450420
5/2, with air spring return	Ø 8x1	Ø 8x1	M14x1	230 V AC	230 V	230 V		5727405280
5/2, with air spring return	Ø 8x1	Ø 8x1	M14x1	230 V AC	230 V	230 V		5727405480
5/2, with air spring return	Ø 10x1	Ø 10x1	M14x1	230 V AC	230 V	230 V		5727455280
5/2, with air spring return	Ø 10x1	Ø 10x1	M14x1	230 V AC	230 V	230 V		5727455480

Pilot	Manual override		Compatibility index	Part No.
Internal	with detent	With valve plug connector	52	5727400220
Internal	with detent	Without valve plug connector	52	5727400420
Internal	with detent	With valve plug connector	ATEX 13, 14	5727420220
Internal	with detent	With valve plug connector	52	5727450220

Pilot	Manual override		Compatibil-ity index	Part No.
Internal	with detent	Without valve plug connector	52	5727450420
Internal	with detent	With valve plug connector	52	5727405280
Internal	with detent	Without valve plug connector	52	5727405480
Internal	with detent	With valve plug connector	52	5727455280
Internal	with detent	Without valve plug connector	52	5727455480

Dimensions



- 1) Gland fitting M16x1.5
- 2) M5 internal thread accessible under cap
- 3) Valve plug connector can be rotated at 90° intervals
- 4) Coil can be plugged at 45° intervals
- 5) Flow control screw for exhausts 5 (R) and 3 (S)
- 6) Manual override and position indicator

*) Manual override:

Manual actuation: (1) with detent - push and turn into position 1 (2) without detent - remove segment I - push only
Actuation with tool: (3) with detent - remove segments up to II - push with tool and turn into position 1

5/2-directional valve, Series 740, double solenoid

Activation: Electrically
 Actuating control: Double Solenoid
 Manual override: with detent
 Electrical connection 2, thread size: EN 175301-803, form A
 Compressed air connection type: Internal thread, plug-in with tube nut
 Duty cycle: 100 %
 Type: Diaphragm poppet valve
 Ambient temperature min./max.: -15 °C ... 50 °C
 Medium temperature min./max.: -15 °C ... 50 °C
 Working pressure min./max.: 1.5 bar ... 10 bar

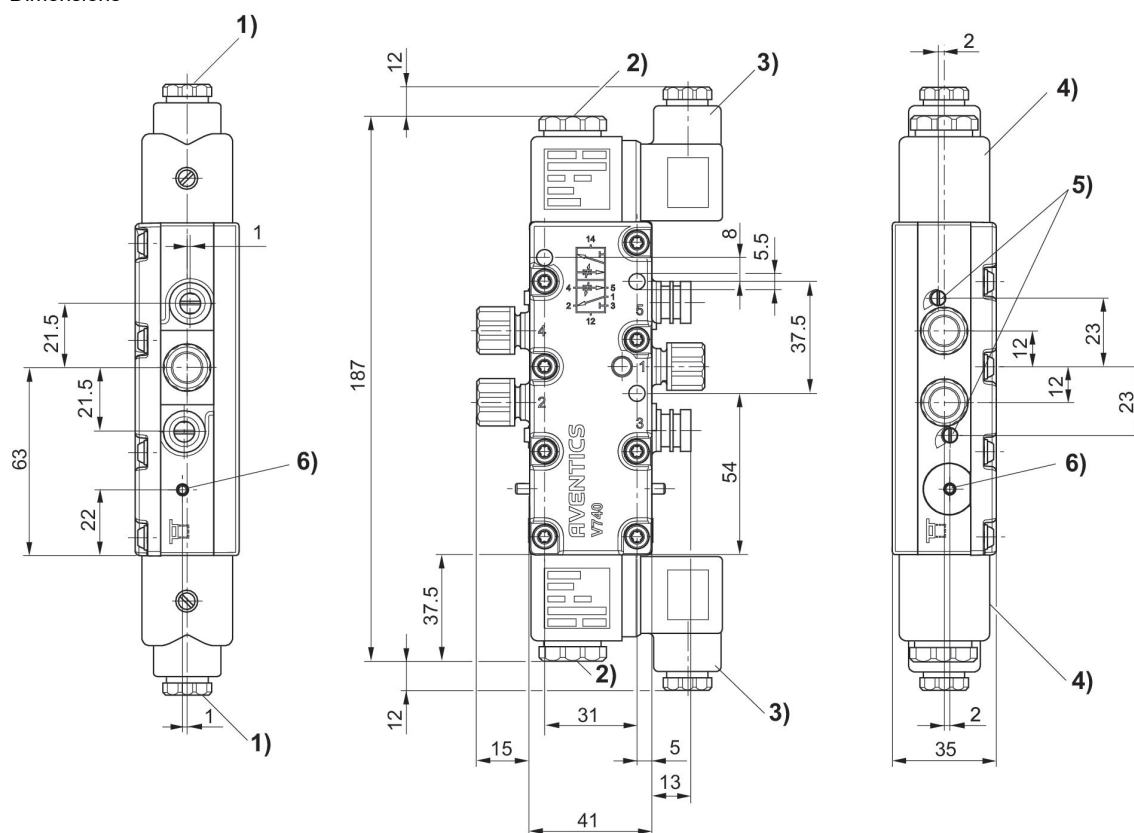


Switching principle	Compressed air connection input	Compressed air connection output	Compressed air connection, exhaust	Operational voltage	Operational voltage AC at 50 Hz	Operational voltage AC at 60 Hz	Voltage tolerance DC	Part No.
5/2, double solenoid	Ø 8x1	Ø 8x1	M14x1	24 V DC			-10 % / +10 %	5727410220
5/2, double solenoid	Ø 8x1	Ø 8x1	M14x1	24 V DC			-10 % / +10 %	5727410420
5/2, double solenoid	Ø 10x1	Ø 10x1	M14x1	24 V DC			-10 % / +10 %	5727460220
5/2, double solenoid	Ø 10x1	Ø 10x1	M14x1	24 V DC			-10 % / +10 %	5727460520
5/2, double solenoid	Ø 8x1	Ø 8x1	M14x1	230 V AC	230 V	230 V		5727415280
5/2, double solenoid	Ø 8x1	Ø 8x1	M14x1	24 V DC			-10 % / +10 %	5727440220
5/2, double solenoid	Ø 8x1	Ø 8x1	M14x1	230 V AC	230 V	230 V		5727415580
5/2, double solenoid	Ø 10x1	Ø 10x1	M14x1	230 V AC	230 V	230 V		5727465280
5/2, double solenoid	Ø 10x1	Ø 10x1	M14x1	230 V AC	230 V	230 V		5727465580

Pilot	Manual override		Compatibility index	Part No.
Internal	with detent	With valve plug connector	52	5727410220
Internal	with detent	Without valve plug connector	52	5727410420
Internal	with detent	With valve plug connector	52	5727460220
Internal	with detent	Without valve plug connector	52	5727460520
Internal	with detent	With valve plug connector	52	5727415280

Pilot	Manual override			Compatibil-ity index	Part No.
Internal	with detent	With valve plug connector	ATEX	13, 14	5727440220
Internal	with detent	Without valve plug connector		52	5727415580
Internal	with detent	With valve plug connector		52	5727465280
Internal	with detent	Without valve plug connector		52	5727465580

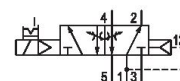
Dimensions



- 1) Gland fitting M16x1.5
- 2) M5 internal thread accessible under cap
- 3) Valve plug connector can be rotated at 90° intervals
- 4) Coil can be plugged at 45° intervals
- 5) Flow control screw for exhausts 5 (R) and 3 (S)
- 6) Manual override and position indicator

5/2-directional valve, Series 740

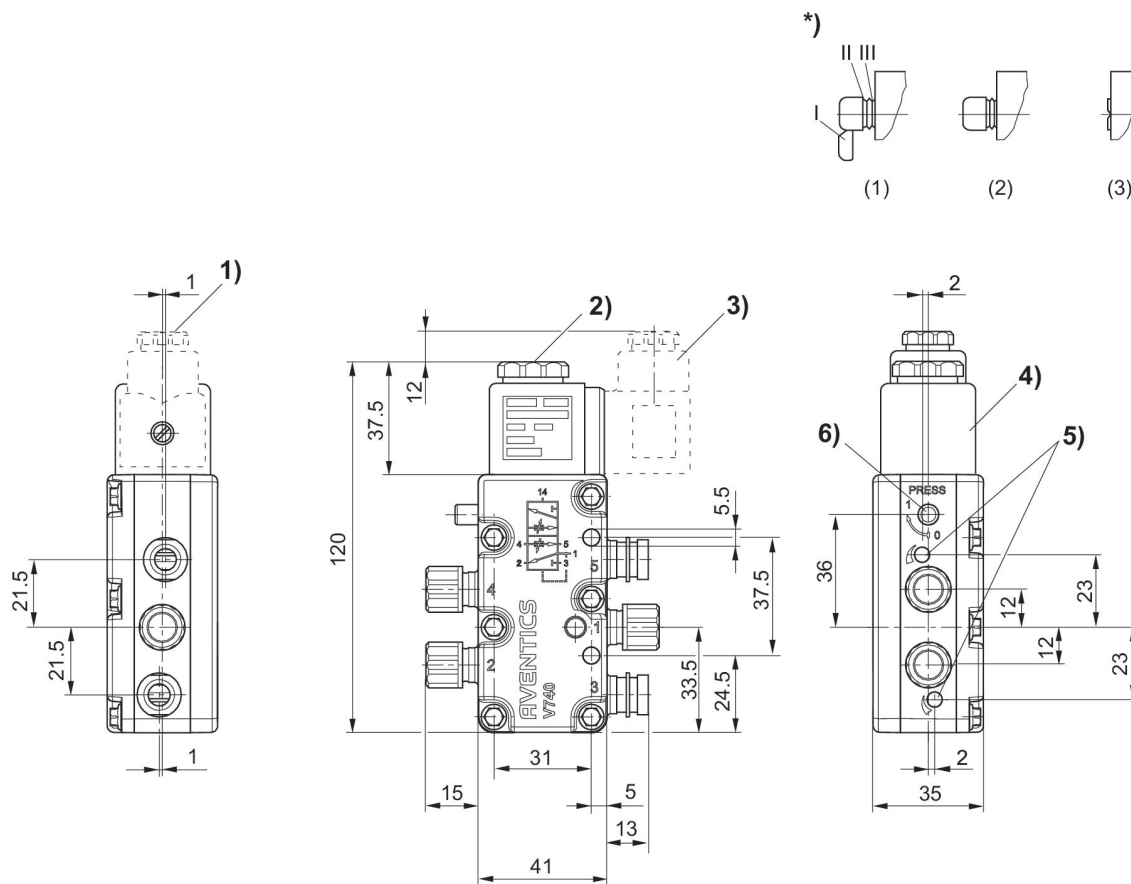
Flow: 950 l/min
 Activation: Electrically
 Manual override: with detent, without detent
 Electrical connection 2, thread size: EN 175301-803, form A
 Compressed air connection type: Internal thread, plug-in with tube nut
 Corrosion resistance: corrosion-protected
 Compressed air connection input: Ø 10x1
 Compressed air connection output: Ø 10x1
 Compressed air connection, exhaust: M14x1
 Duty cycle: 100 %
 Type: Diaphragm poppet valve
 Ambient temperature min./max.: -25 °C ... 50 °C
 Medium temperature min./max.: -25 °C ... 50 °C
 Working pressure min./max.: 2 bar ... 10 bar



Switching principle	Compressed air connection input	Compressed air connection output	Compressed air connection, exhaust	Operational voltage	Voltage tolerance DC	Pilot	Manual override	Part No.
5/2, with air spring return	Ø 10x1	Ø 10x1	M14x1	24 V DC	-10 % / +10 %	Internal	with detent	5727940220

	Compatibility index	Part No.
Without valve plug connector	52	5727940220

Dimensions



1) Gland fitting M16x1.5

2) M5 internal thread accessible under cap

3) Valve plug connector can be rotated at 90° intervals

4) Coil can be plugged at 45° intervals

5) Flow control screw for exhausts 5 (R) and 3 (S)

6) Manual override and position indicator

*) Manual override:

Manual actuation: (1) with detent - push and turn into position 1 (2) without detent - remove segment I - push only

Actuation with tool: (3) with detent - remove segments up to II - push with tool and turn into position 1

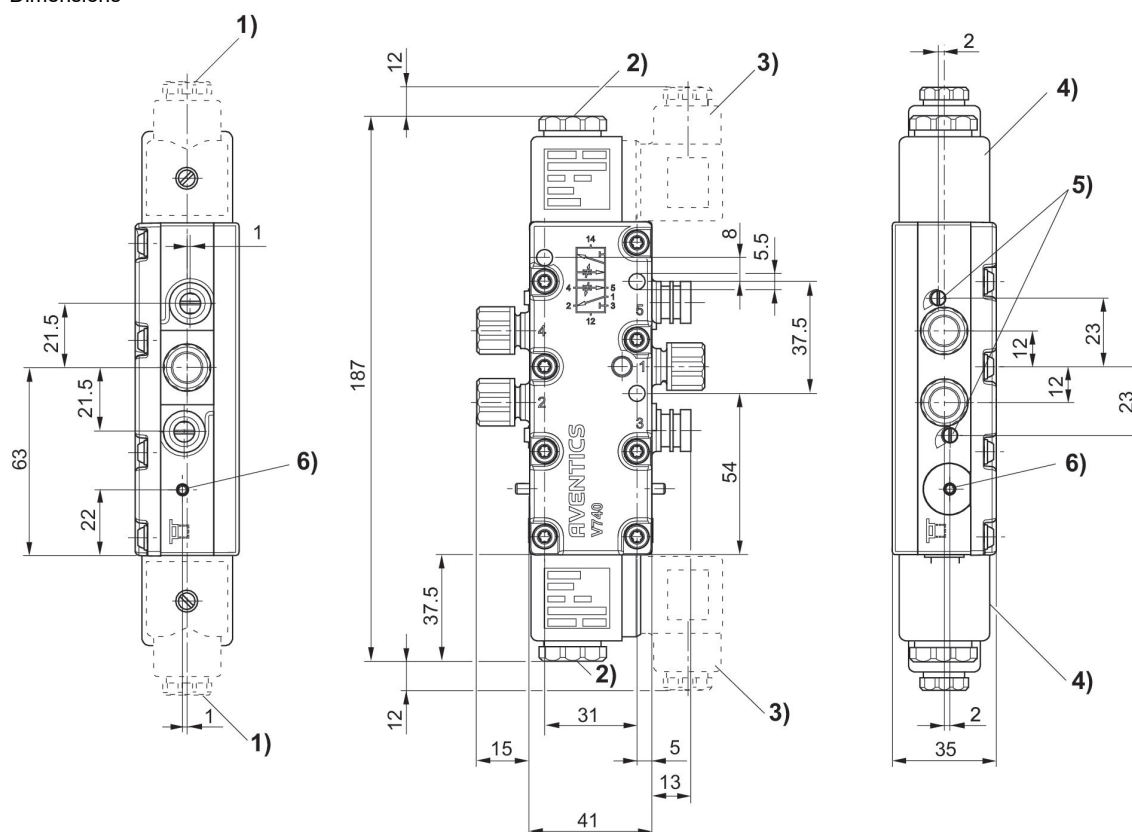
5/2-directional valve, Series 740, double solenoid

Flow: 950 l/min
 Activation: Electrically
 Actuating control: Double Solenoid
 Manual override: with detent
 Electrical connection 2, thread size: EN 175301-803, form A
 Compressed air connection type: Internal thread, plug-in with tube nut
 Corrosion resistance: corrosion-protected
 Compressed air connection input: Ø 10x1
 Compressed air connection output: Ø 10x1
 Duty cycle: 100 %
 Type: Diaphragm poppet valve
 Ambient temperature min./max.: -15 °C ... 50 °C
 Medium temperature min./max.: -15 °C ... 50 °C
 Working pressure min./max.: 2 bar ... 10 bar



Switching principle	Compressed air connection input	Compressed air connection output	Compressed air connection, exhaust	Pilot	Manual override	Compatibility index	Part No.
5/2, double solenoid	Ø 10x1	Ø 10x1	M14x1	Internal	with detent	52	5727925402

Dimensions



- 1) Gland fitting M16x1.5
- 2) M5 internal thread accessible under cap
- 3) Valve plug connector can be rotated at 90° intervals
- 4) Coil can be plugged at 45° intervals
- 5) Flow control screw for exhausts 5 (R) and 3 (S)
- 6) Manual override and position indicator

5/2-directional valve, Series 740, double solenoid

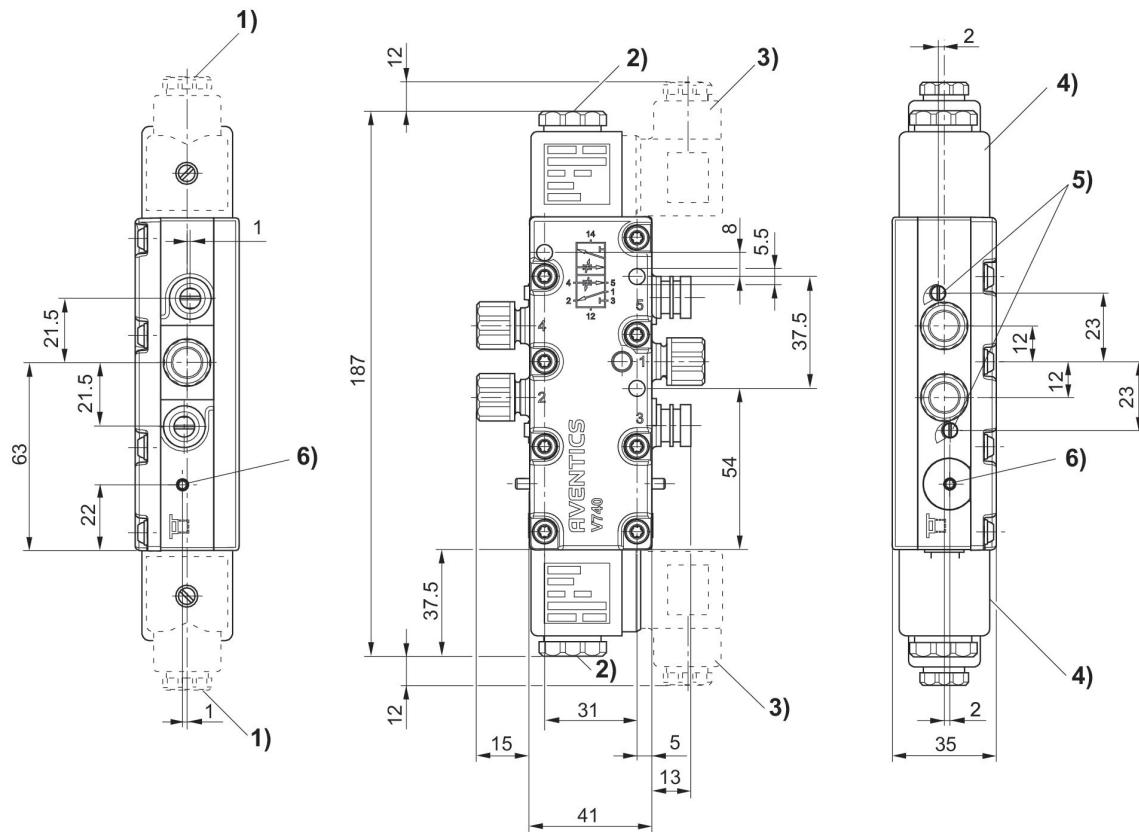
Flow: 950 l/min
 Activation: Electrically
 Actuating control: Double Solenoid
 Manual override: with detent
 Electrical connection 2, thread size: EN 175301-803, form A
 Compressed air connection type: Internal thread, plug-in with tube nut
 Corrosion resistance: corrosion-protected
 Compressed air connection input: Ø 10x1
 Compressed air connection output: Ø 10x1
 Duty cycle: 100 %
 Type: Diaphragm poppet valve
 Ambient temperature min./max.: -15 °C ... 50 °C
 Medium temperature min./max.: -15 °C ... 50 °C
 Working pressure min./max.: 2 bar ... 10 bar



Switching principle	Compressed air connection input	Compressed air connection output	Compressed air connection, exhaust	Operational voltage	Operational voltage AC at 50 Hz	Operational voltage AC at 60 Hz	Voltage tolerance DC	Part No.
5/2, double solenoid	Ø 10x1	Ø 10x1	M14x1	24 V DC			-10 % / +10 %	5727920220
5/2, double solenoid	Ø 10x1	Ø 10x1	M14x1	230 V AC	230 V	230 V		5727925280

Pilot	Manual override		Compatibility index	Part No.
Internal	with detent	Without valve plug connector	52	5727920220
Internal	with detent	Without valve plug connector	52	5727925280

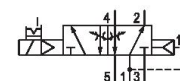
Dimensions



- 1) Gland fitting M16x1.5
- 2) M5 internal thread accessible under cap
- 3) Valve plug connector can be rotated at 90° intervals
- 4) Coil can be plugged at 45° intervals
- 5) Flow control screw for exhausts 5 (R) and 3 (S)
- 6) Manual override and position indicator

5/2-directional valve, Series 740, single solenoid

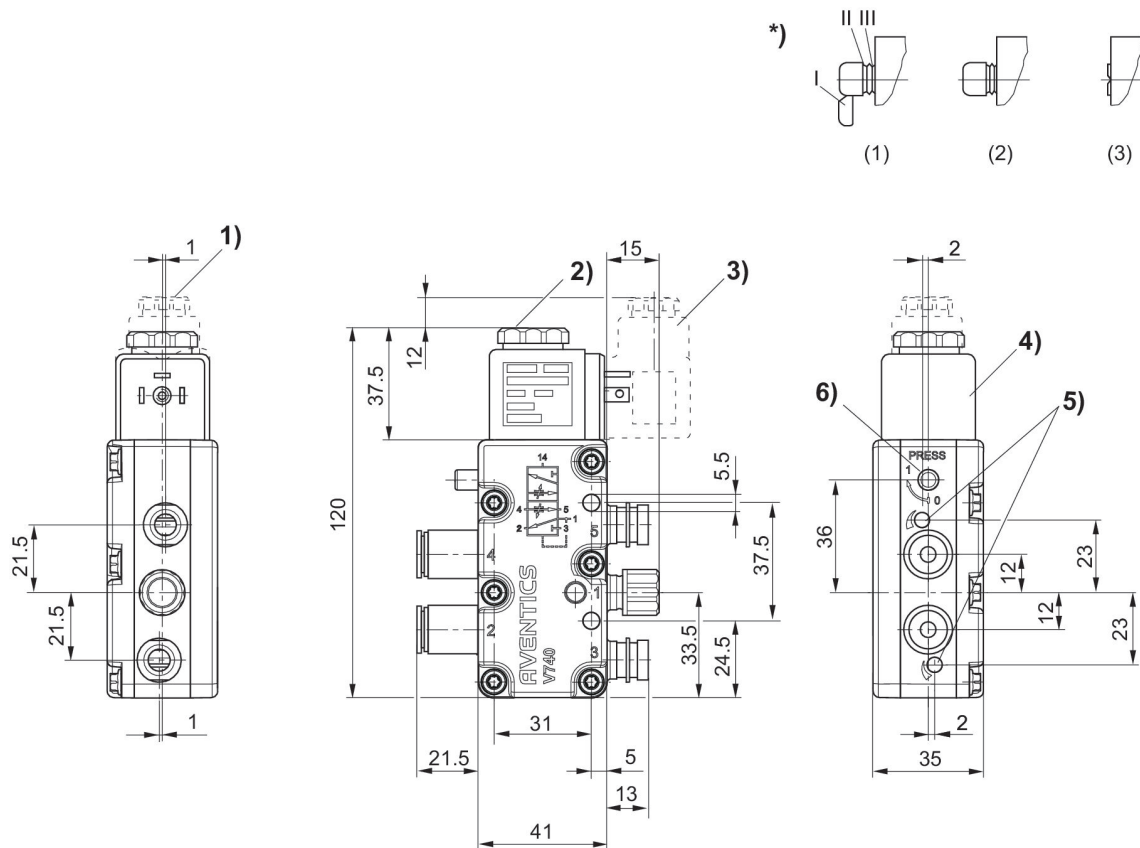
Flow: 1100 l/min
 Activation: Electrically
 Manual override: with detent
 Electrical connection 2, thread size: EN 175301-803, form A
 Compressed air connection type: Internal thread, plug-in with tube nut
 Compressed air connection input: Ø 10x1
 Compressed air connection output: Ø 10x1
 Duty cycle: 100 %
 Type: Diaphragm poppet valve
 Ambient temperature min./max.: -25 °C ... 50 °C
 Medium temperature min./max.: -25 °C ... 50 °C
 Working pressure min./max.: 1.5 bar ... 10 bar



Switching principle	Compressed air connection input	Compressed air connection output	Compressed air connection, exhaust	Operational voltage	Operational voltage AC at 50 Hz	Operational voltage AC at 60 Hz	Voltage tolerance DC	Part No.
5/2, with air spring return	Ø 10x1	Ø 10x1	M14x1	24 V DC			-10 % / +10 %	5727470220
5/2, with air spring return	Ø 10x1	Ø 10x1	M14x1	230 V AC	230 V	230 V		5727475280

Pilot	Manual override		Compatibility index	Part No.
Internal	with detent	Without valve plug connector	52	5727470220
Internal	with detent	Without valve plug connector	52	5727475280

Dimensions



- 1) Gland fitting M16x1.5
- 2) M5 internal thread accessible under cap
- 3) Valve plug connector can be rotated at 90° intervals
- 4) Coil can be plugged at 45° intervals
- 5) Flow control screw for exhausts 5 (R) and 3 (S)
- 6) Manual override and position indicator

*) Manual override:

Manual actuation: (1) with detent - push and turn into position 1 (2) without detent - remove segment I - push only
Actuation with tool: (3) with detent - remove segments up to II - push with tool and turn into position 1

5/2-directional valve, Series 740, double solenoid

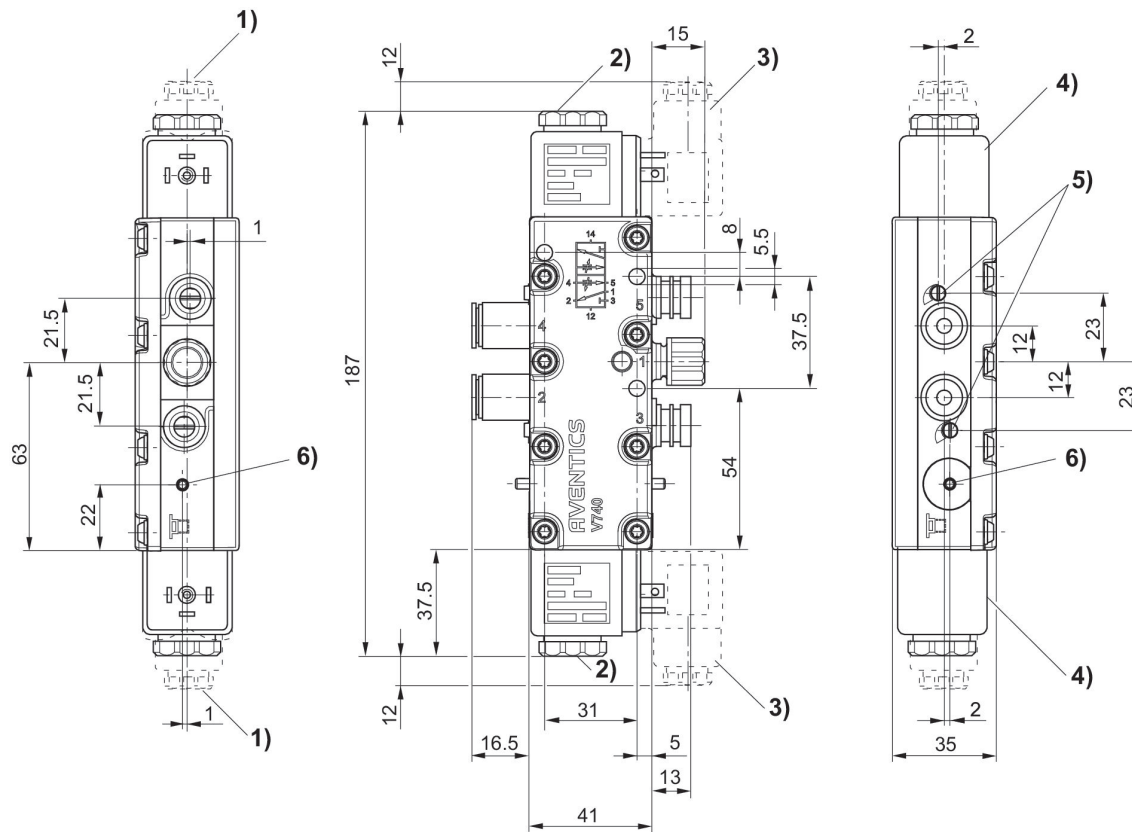
Flow: 1100 l/min
 Activation: Electrically
 Actuating control: Double Solenoid
 Manual override: with detent
 Electrical connection 2, thread size: EN 175301-803, form A
 Compressed air connection type: Internal thread, plug-in with tube nut
 Compressed air connection input: Ø 10x1
 Compressed air connection output: Ø 10x1
 Duty cycle: 100 %
 Type: Diaphragm poppet valve
 Ambient temperature min./max.: -15 °C ... 50 °C
 Medium temperature min./max.: -15 °C ... 50 °C
 Working pressure min./max.: 1.5 bar ... 10 bar



Switching principle	Compressed air connection input	Compressed air connection output	Compressed air connection, exhaust	Operational voltage	Operational voltage AC at 50 Hz	Operational voltage AC at 60 Hz	Voltage tolerance DC	Part No.
5/2, double solenoid	Ø 10x1	Ø 10x1	M14x1	24 V DC			-10 % / +10 %	5727480220
5/2, double solenoid	Ø 10x1	Ø 10x1	M14x1	230 V AC	230 V	230 V		5727485280

Pilot	Manual override		Compatibility index	Part No.
Internal	with detent	Without valve plug connector	52	5727480220
Internal	with detent	Without valve plug connector	52	5727485280

Dimensions



- 1) Gland fitting M16x1.5
- 2) M5 internal thread accessible under cap
- 3) Valve plug connector can be rotated at 90° intervals
- 4) Coil can be plugged at 45° intervals
- 5) Flow control screw for exhausts 5 (R) and 3 (S)
- 6) Manual override and position indicator

5/4-directional valve, Series 740

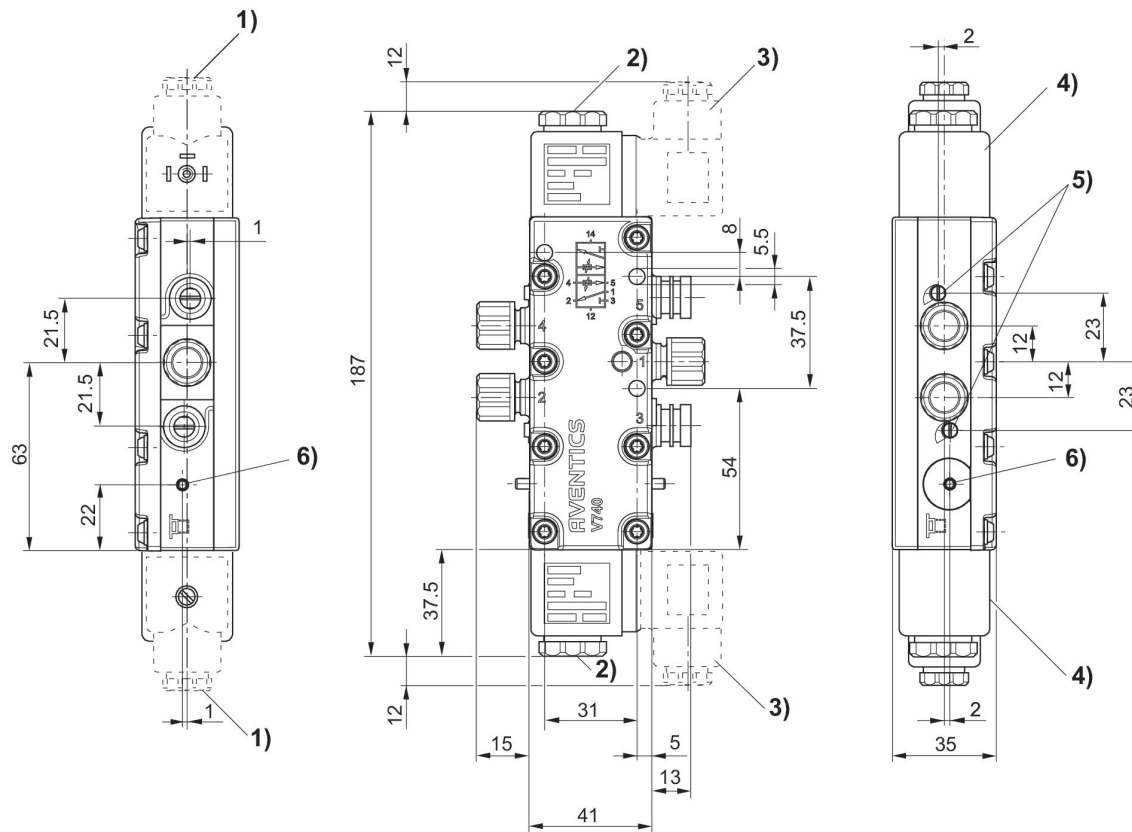
Activation: Electrically
 Actuating control: Double Solenoid
 Manual override: with detent, without detent
 Electrical connection 2, thread size: EN 175301-803, form A
 Compressed air connection type: Internal thread, plug-in with tube nut
 Duty cycle: 100 %
 Type: Diaphragm poppet valve
 Ambient temperature min./max.: -15 °C ... 50 °C
 Medium temperature min./max.: -15 °C ... 50 °C
 Working pressure min./max.: 1.5 bar ... 10 bar



Version	Switching principle	Compressed air connection input	Compressed air connection output	Compressed air connection, exhaust	Operational voltage	Operational voltage AC at 50 Hz	Operational voltage AC at 60 Hz	Part No.
Exhausted Center	5/4, exhausted center	3/8"	3/8"	M14x1	24 V DC			R432038440
Exhausted Center	5/4, exhausted center	3/8"	3/8"	M14x1	110 V AC	110 V	110 V	R432038422

Voltage tolerance DC	Pilot	Manual override		Compatibility index	Part No.
-10 % / +10 %	Internal	without detent	Without valve plug connector	52	R432038440
	Internal	without detent	Without valve plug connector	52	R432038422

Dimensions



- 1) Gland fitting M16x1.5
- 2) M5 internal thread accessible under cap
- 3) Valve plug connector can be rotated at 90° intervals (not included in scope of delivery)
- 4) Coil can be plugged at 45° intervals
- 5) Flow control screw for exhausts 5 (R) and 3 (S)
- 6) Manual override and position indicator

5/4-directional valve, Series 740

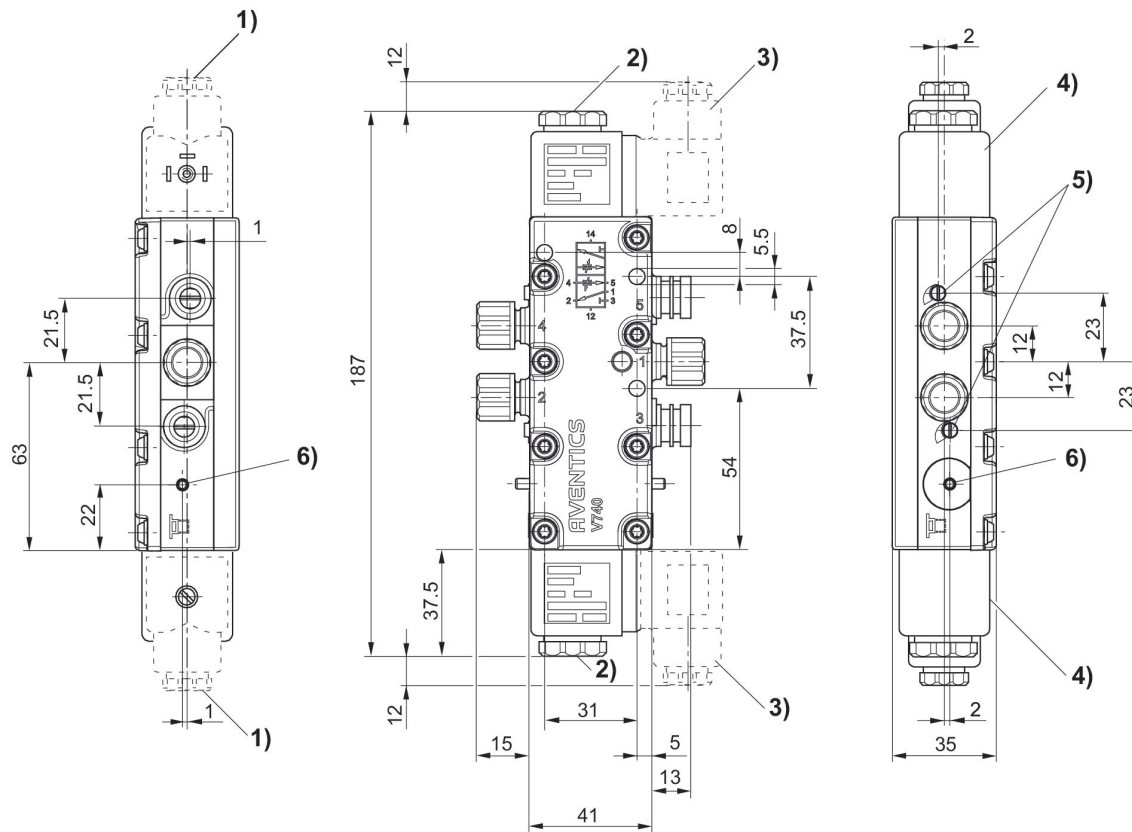
Activation: Electrically
 Actuating control: Double Solenoid
 Manual override: with detent, without detent
 Electrical connection 2, thread size: EN 175301-803, form A
 Compressed air connection type: Internal thread, plug-in with tube nut
 Duty cycle: 100 %
 Type: Diaphragm poppet valve
 Ambient temperature min./max.: -15 °C ... 50 °C
 Medium temperature min./max.: -15 °C ... 50 °C
 Working pressure min./max.: 1.5 bar ... 10 bar



Version	Switching principle	Compressed air connection input	Compressed air connection output	Compressed air connection, exhaust	Operational voltage	Operational voltage AC at 50 Hz	Operational voltage AC at 60 Hz	Part No.
Closed Center	5/4, closed center	3/8"	3/8"	M14x1	24 V DC			R432038439
Closed Center	5/4, closed center	3/8"	3/8"	M14x1	110 V AC	110 V	110 V	R432038421

Voltage tolerance DC	Pilot	Manual override		Compatibility index	Part No.
-10 % / +10 %	Internal	without detent	Without valve plug connector	52	R432038439
	Internal	without detent	Without valve plug connector	52	R432038421

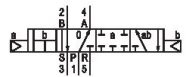
Dimensions



- 1) Gland fitting M16x1.5
- 2) M5 internal thread accessible under cap
- 3) Valve plug connector can be rotated at 90° intervals (not included in scope of delivery)
- 4) Coil can be plugged at 45° intervals
- 5) Flow control screw for exhausts 5 (R) and 3 (S)
- 6) Manual override and position indicator

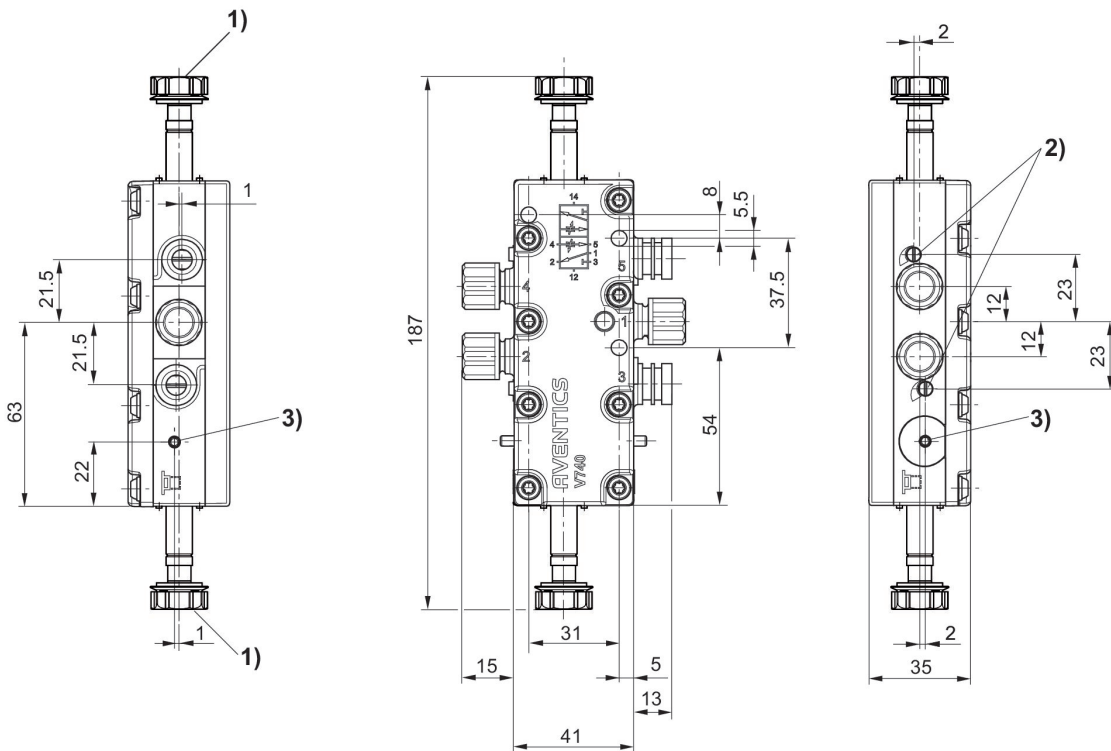
5/4-directional valve, Series 740

Activation: Electrically
 Manual override: without detent
 Electrical connection 2, thread size: EN 175301-803, form A
 Compressed air connection type: Internal thread, plug-in with tube nut
 Duty cycle: 100 %
 Type: Diaphragm poppet valve
 Ambient temperature min./max.: -15 °C ... 50 °C
 Medium temperature min./max.: -15 °C ... 50 °C
 Working pressure min./max.: 3 bar ... 10 bar



Version	Switching principle	Compressed air connection input	Compressed air connection output	Compressed air connection, exhaust	Pilot	Manual override	Compatibility index	Part No.
Pressurized Center	5/4, pressurized center	Ø 8x1	Ø 8x1	M14x1	Internal	without detent	52	5727515402

Dimensions in mm



- 1) M5 internal thread accessible under cap
- 2) Throttle screw for exhausts 5 (R) and 3 (S) (S)
- 3) Manual override and position indicator

5/4-directional valve, Series 740

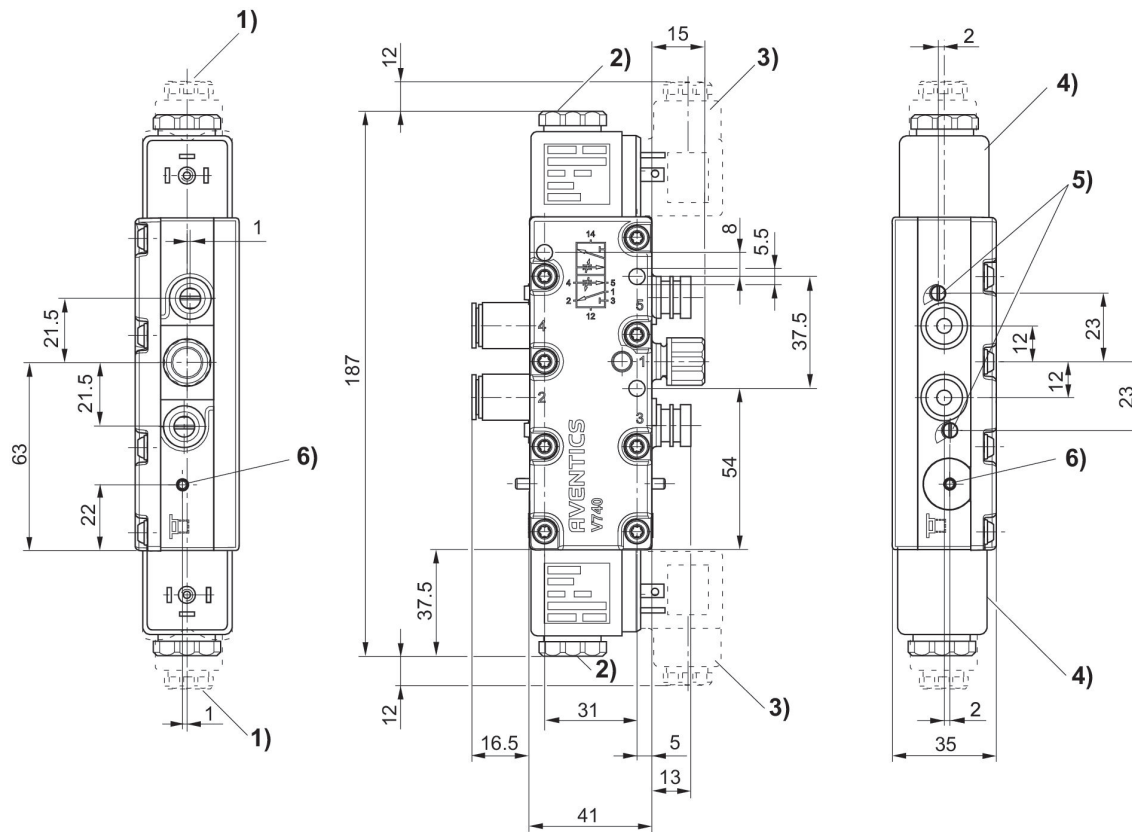
Activation: Electrically
 Manual override: without detent
 Electrical connection 2, thread size: EN 175301-803, form A
 Compressed air connection type: Internal thread, plug-in with tube nut
 Duty cycle: 100 %
 Type: Diaphragm poppet valve
 Ambient temperature min./max.: -15 °C ... 50 °C
 Medium temperature min./max.: -15 °C ... 50 °C
 Working pressure min./max.: 3 bar ... 10 bar



Version	Switching principle	Compressed air connection input	Compressed air connection output	Compressed air connection, exhaust	Operational voltage	Voltage tolerance DC	Pilot	Part No.
Pressurized Center	5/4, pressurized center	Ø 10x1	Ø 10x1	M14x1	24 V DC	-10 % / +10 %	Internal	5727560920

Manual override	Compatibility index	Part No.
without detent	Without valve plug connector	5727560920

Dimensions



- 1) Gland fitting M16x1.5
- 2) M5 internal thread accessible under cap
- 3) Valve plug connector can be rotated at 90° intervals
- 4) Coil can be plugged at 45° intervals
- 5) Flow control screw for exhausts 5 (R) and 3 (S)
- 6) Manual override and position indicator

5/4-directional valve, Series 740

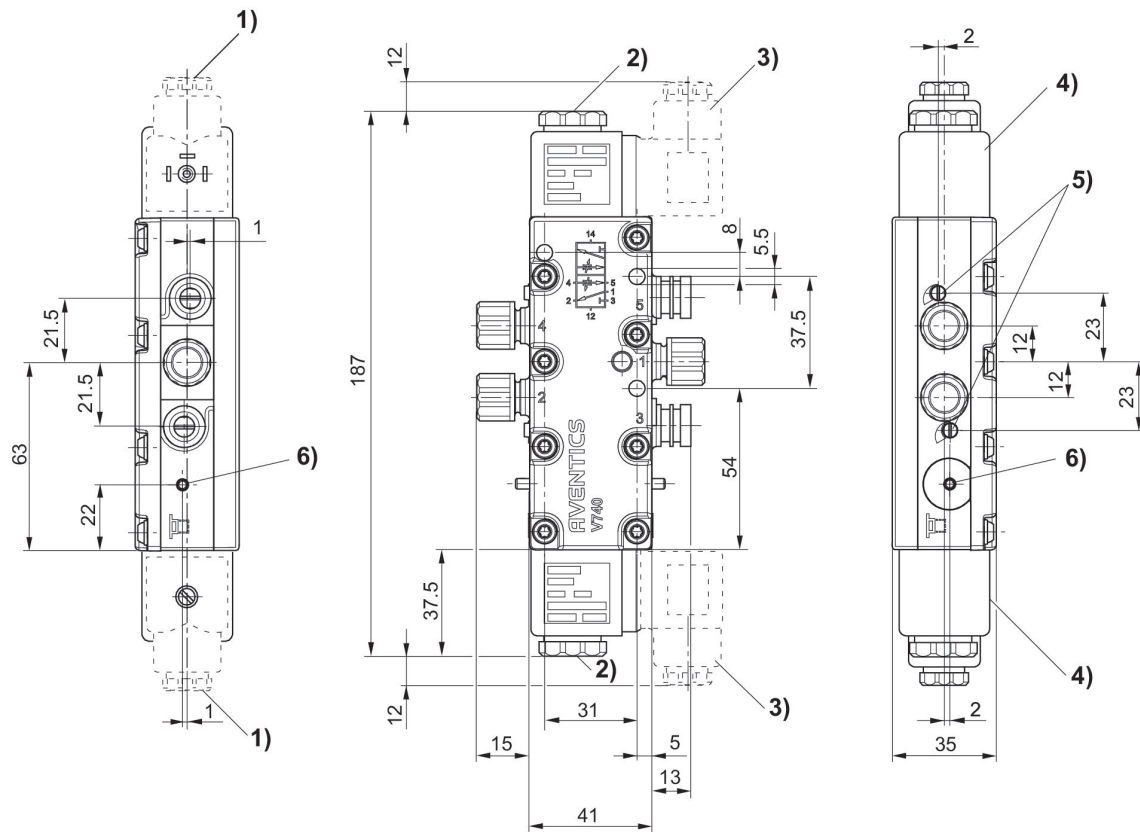
Activation: Electrically
 Manual override: without detent
 Electrical connection 2, thread size: EN 175301-803, form A
 Compressed air connection type: Internal thread, plug-in with tube nut
 Duty cycle: 100 %
 Type: Diaphragm poppet valve
 Ambient temperature min./max.: -15 °C ... 50 °C
 Medium temperature min./max.: -15 °C ... 50 °C
 Working pressure min./max.: 3 bar ... 10 bar



Version	Switching principle	Compressed air connection input	Compressed air connection output	Compressed air connection, exhaust	Operational voltage	Operational voltage AC at 50 Hz	Operational voltage AC at 60 Hz	Part No.
Pressurized Center	5/4, pressurized center	Ø 8x1	Ø 8x1	M14x1	24 V DC			5727510220
Pressurized Center	5/4, pressurized center	Ø 8x1	Ø 8x1	M14x1	230 V AC	230 V	230 V	5727515280
Pressurized Center	5/4, pressurized center	Ø 10x1	Ø 10x1	M14x1	230 V AC	230 V	230 V	5727565280

Voltage tolerance DC	Pilot	Manual override		Compatibility index	Part No.
-10 % / +10 %	Internal	without detent	With valve plug connector	52	5727510220
	Internal	without detent	With valve plug connector	52	5727515280
	Internal	without detent	With valve plug connector	52	5727565280

Dimensions



1) gland fitting M16x1,5 2) M5 internal thread accessible under cap 3) el. connector can be fixed at 90° intervals 4) coil can be mounted at 45° intervals 5) throttle screw for exhausts 5 (R) and 3 (S) 6) manual override and position indicator

5/4-directional valve, Series 740

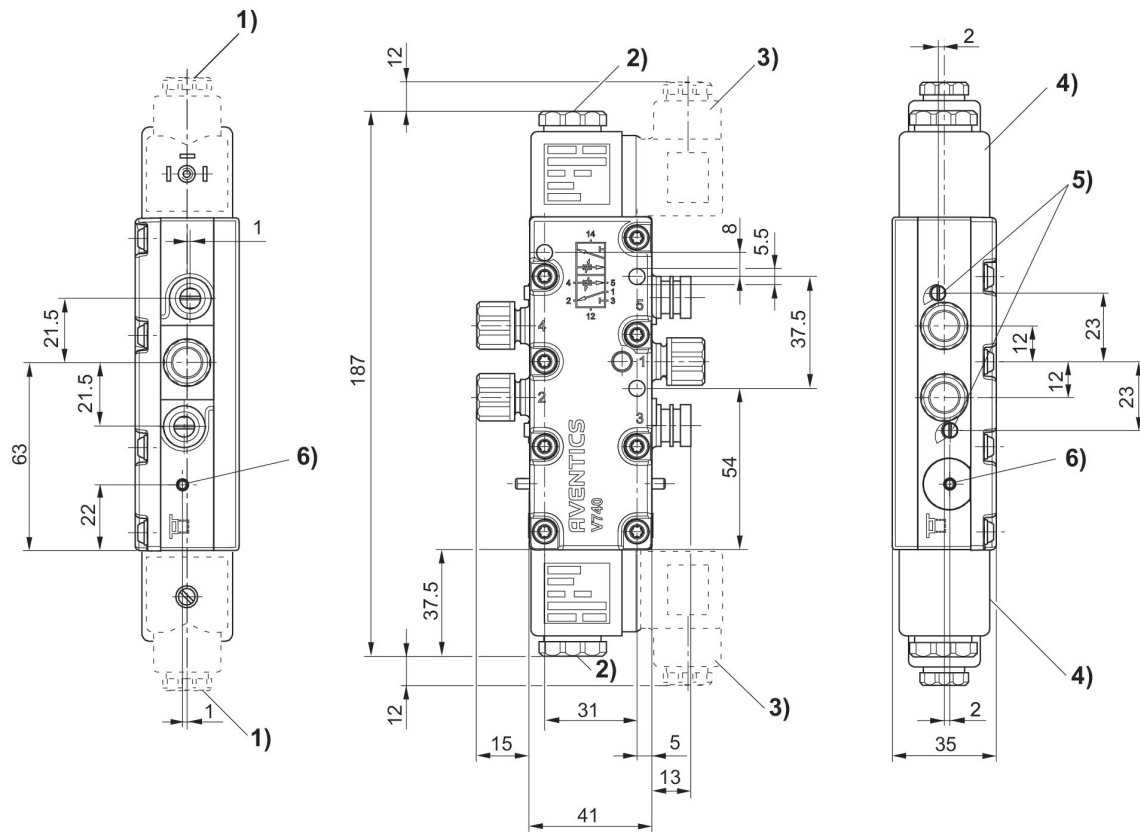
Activation: Electrically
 Manual override: without detent
 Electrical connection 2, thread size: EN 175301-803, form A
 Compressed air connection type: Internal thread, plug-in with tube nut
 Duty cycle: 100 %
 Type: Diaphragm poppet valve
 Ambient temperature min./max.: -15 °C ... 50 °C
 Medium temperature min./max.: -15 °C ... 50 °C
 Working pressure min./max.: 3 bar ... 10 bar



Version	Switching principle	Compressed air connection input	Compressed air connection output	Compressed air connection, exhaust	Operational voltage	Operational voltage AC at 50 Hz	Operational voltage AC at 60 Hz	Part No.
Closed Center	5/4, closed center	Ø 8x1	Ø 8x1	M14x1	24 V DC			5727500220
Closed Center	5/4, closed center	Ø 10x1	Ø 10x1	M14x1	24 V DC			5727550220
Closed Center	5/4, closed center	Ø 8x1	Ø 8x1	M14x1	230 V AC	230 V	230 V	5727505280
Closed Center	5/4, closed center	Ø 10x1	Ø 10x1	M14x1	230 V AC	230 V	230 V	5727555280

Voltage tolerance DC	Pilot	Manual override		Compatibility index	Part No.
-10 % / +10 %	Internal	without detent	With valve plug connector	52	5727500220
-10 % / +10 %	Internal	without detent	With valve plug connector	52	5727550220
	Internal	without detent	With valve plug connector	52	5727505280
	Internal	without detent	With valve plug connector	52	5727555280

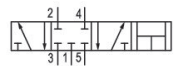
Dimensions



1) gland fitting M16x1,5 2) M5 internal thread accessible under cap 3) el. connector can be fixed at 90° intervals 4) coil can be mounted at 45° intervals 5) throttle screw for exhausts 5 (R) and 3 (S) 6) manual override and position indicator

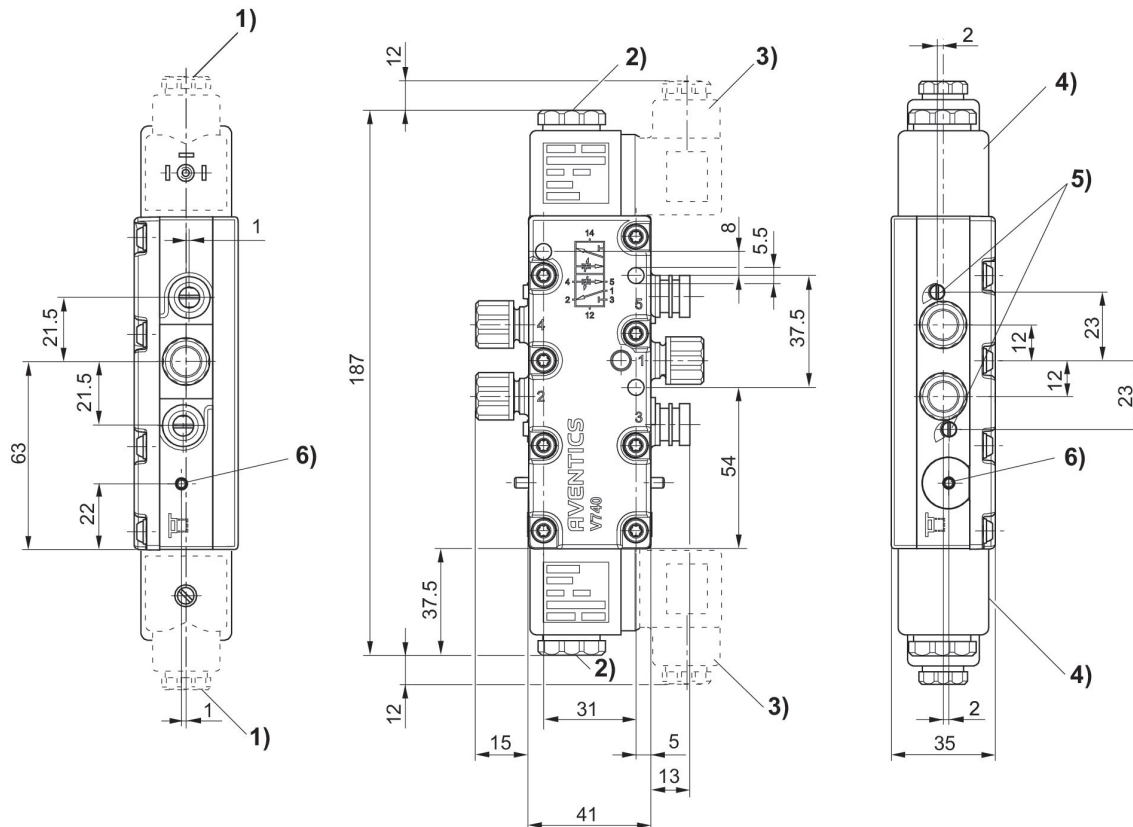
5/4-directional valve, Series 740

Activation: Electrically
 Manual override: without detent
 Electrical connection 2, thread size: EN 175301-803, form A
 Compressed air connection type: Internal thread, plug-in with tube nut
 Duty cycle: 100 %
 Type: Diaphragm poppet valve
 Ambient temperature min./max.: -15 °C ... 50 °C
 Medium temperature min./max.: -15 °C ... 50 °C
 Working pressure min./max.: 3 bar ... 10 bar



Version	Switching principle	Compressed air connection input	Compressed air connection output	Compressed air connection, exhaust	Pilot	Manual override	Compatibility index	Part No.
Closed Center	5/4, closed center	Ø 8x1	Ø 8x1	M14x1	Internal	without detent	52	5727505402
Closed Center	5/4, closed center	Ø 10x1	Ø 10x1	M14x1	Internal	without detent	52	5727555402

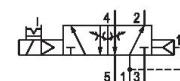
Dimensions



1) gland fitting M16x1,5 2) M5 internal thread accessible under cap 3) el. connector can be fixed at 90° intervals 4) coil can be mounted at 45° intervals 5) throttle screw for exhausts 5 (R) and 3 (S) 6) manual override and position indicator

5/2-directional valve, Series 740, single solenoid

Activation: Electrically
 Manual override: with detent, without detent
 Compressed air connection type: Internal thread
 Compressed air connection, exhaust: M14x1
 Duty cycle: 100 %
 Type: Diaphragm poppet valve
 Ambient temperature min./max.: -15 °C ... 50 °C
 Medium temperature min./max.: -15 °C ... 50 °C
 Working pressure min./max.: 1.4 bar ... 10 bar

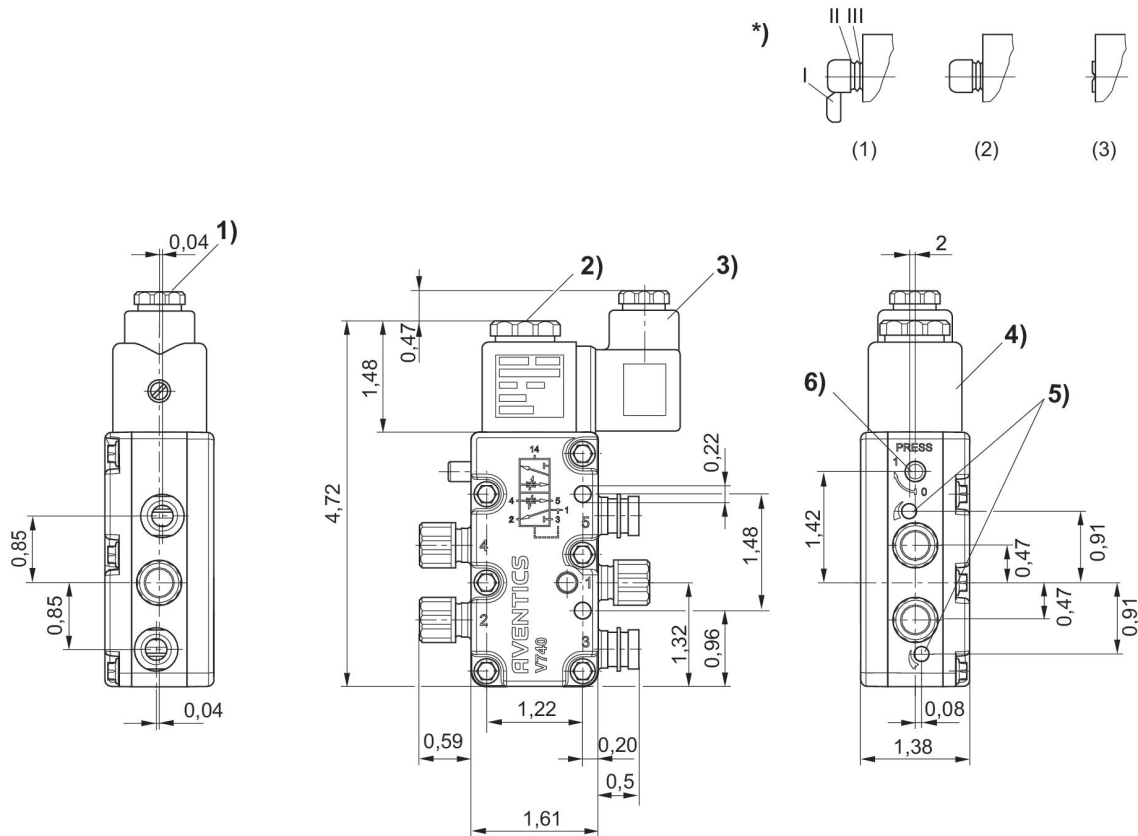


Switching principle	Compressed air connection input	Compressed air connection output	Compressed air connection, exhaust	Operational voltage	Operational voltage AC at 50 Hz	Operational voltage AC at 60 Hz	Voltage tolerance DC	Part No.
5/2, with air spring return	3/8"	3/8"	M14x1	24 V DC			-10 % / +10 %	R432008894
5/2, with air spring return	3/8"	3/8"	M14x1	24 V DC			-10 % / +10 %	5727490220
5/2, with air spring return	3/8"	3/8"	M14x1	24 V AC	24 V	24 V		R432016658
5/2, with air spring return	3/8"	3/8"	M14x1	110 V AC	110 V	110 V		5727495270
5/2, with air spring return	3/8"	3/8"	M14x1	220 V AC	220 V	220 V		R432016655
5/2, with air spring return	5/16" (Ø 8)	5/16" (Ø 8)	M14x1	24 V DC			-10 % / +10 %	R432016649
5/2, with air spring return	5/16" (Ø 8)	5/16" (Ø 8)	M14x1	110 V AC	110 V	110 V		R432016647
5/2, with air spring return	5/16" (Ø 8)	5/16" (Ø 8)	M14x1	24 V AC	24 V	24 V		R432016650
5/2, with air spring return	5/16" (Ø 8)	5/16" (Ø 8)	M14x1	220 V AC	220 V	220 V		R432016648

Manual override		Compatibility index	Part No.
with detent	With valve plug connector	52	R432008894
with detent	Without valve plug connector	52	5727490220
with detent	Without valve plug connector	52	R432016658
with detent	Without valve plug connector	52	5727495270

Manual override		Compatibil-ity index	Part No.
with detent	Without valve plug connector	52	R432016655
with detent	Without valve plug connector	52	R432016649
with detent	Without valve plug connector	52	R432016647
with detent	Without valve plug connector	52	R432016650
with detent	Without valve plug connector	52	R432016648

Dimensions in inches



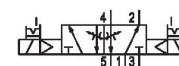
- 1) Gland fitting M16x1.5
- 2) M5 internal thread accessible under cap
- 3) Valve plug connector can be rotated at 90° intervals
- 4) Coil can be plugged at 45° intervals
- 5) Flow control screw for exhausts 5 (R) and 3 (S)
- 6) Manual override and position indicator

*) Manual override:

Manual actuation: (1) with detent - push and turn into position 1 (2) without detent - remove segment I - push only
Actuation with tool: (3) with detent - remove segments up to II - push with tool and turn into position 1

5/2-directional valve, Series 740, double solenoid

Activation: Electrically
 Actuating control: Double Solenoid
 Manual override: with detent
 Electrical connection 2, thread size: EN 175301-803, form A
 Compressed air connection type: Internal thread, plug-in with tube nut
 Compressed air connection, exhaust: M14x1
 Duty cycle: 100 %
 Type: Diaphragm poppet valve
 Ambient temperature min./max.: -15 °C ... 50 °C
 Medium temperature min./max.: -15 °C ... 50 °C
 Working pressure min./max.: 1.5 bar ... 10 bar

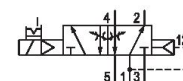


Switching principle	Compressed air connection input	Compressed air connection output	Compressed air connection, exhaust	Operational voltage	Operational voltage AC at 50 Hz	Operational voltage AC at 60 Hz	Voltage tolerance DC	Part No.
5/2, double solenoid	5/16" (Ø 8)	5/16" (Ø 8)	M14x1	24 V AC	24 V			R432016654
5/2, double solenoid	3/8"	3/8"	M14x1	24 V AC	24 V			R432016664
5/2, double solenoid	3/8"	3/8"	M14x1	24 V DC			-10 % / +10 %	R432016663
5/2, double solenoid	5/16" (Ø 8)	5/16" (Ø 8)	M14x1	24 V DC			-10 % / +10 %	R432016653
5/2, double solenoid	5/16" (Ø 8)	5/16" (Ø 8)	M14x1	110 V AC	110 V	110 V		R432016651
5/2, double solenoid	3/8"	3/8"	M14x1	110 V AC	110 V	110 V		R432016659
5/2, double solenoid	5/16" (Ø 8)	5/16" (Ø 8)	M14x1	220 V AC	220 V	220 V		R432016652
5/2, double solenoid	3/8"	3/8"	M14x1	220 V AC	220 V	220 V		R432016660

Pilot	Manual override		Compatibility index	Part No.
Internal	with detent	Without valve plug connector	52	R432016654
Internal	with detent	Without valve plug connector	52	R432016664
Internal	with detent	Without valve plug connector	52	R432016663
Internal	with detent	Without valve plug connector	52	R432016653
Internal	with detent	Without valve plug connector	52	R432016651

5/2-directional valve, Series 740, single solenoid

Flow: 700 l/min
 Activation: Electrically
 Manual override: with detent, without detent
 Coil width: 30 mm
 Electrical connection 2, thread size: EN 175301-803, form B
 Compressed air connection type: Internal thread, plug-in with tube nut
 Corrosion resistance: corrosion-protected
 Electrical connection 2, number of poles: 3-pin
 Compressed air connection, exhaust: M14x1
 Duty cycle: 100 %
 Type: Diaphragm poppet valve
 Ambient temperature min./max.: -15 °C ... 50 °C
 Medium temperature min./max.: -15 °C ... 50 °C
 Working pressure min./max.: 2 bar ... 10 bar

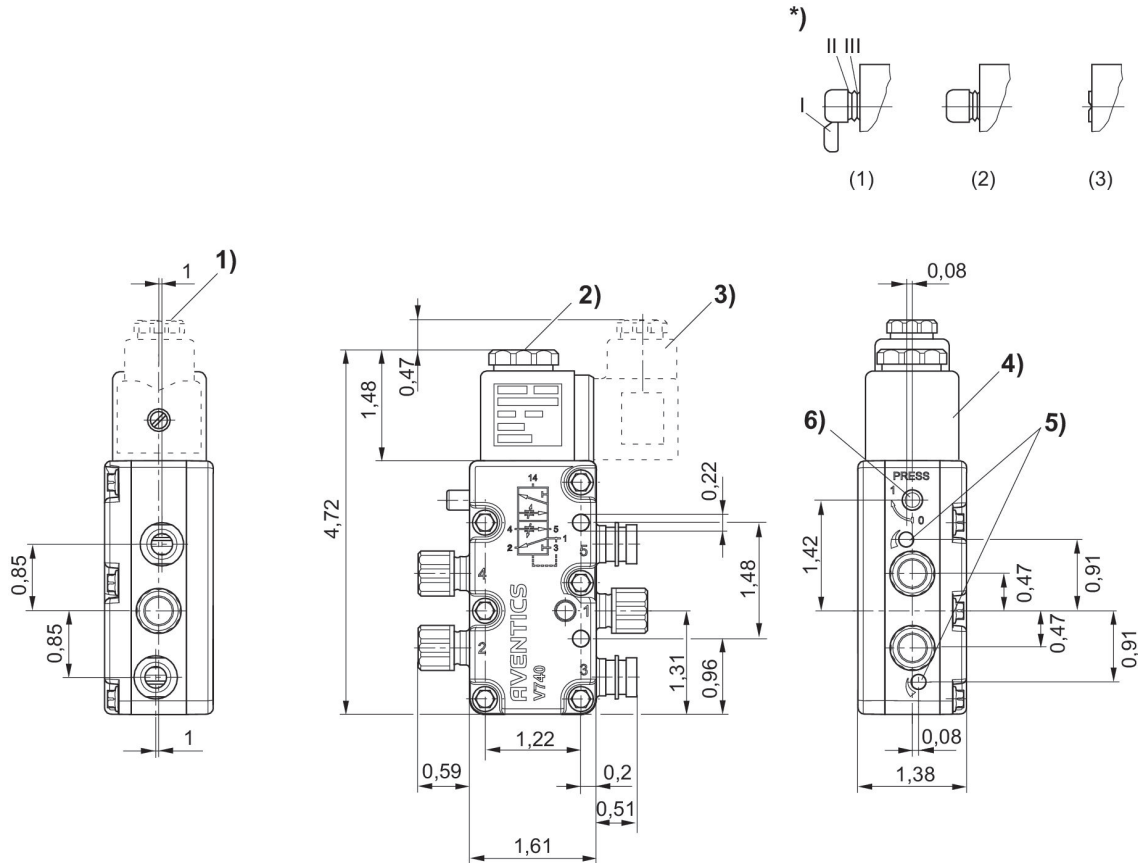


Switching principle	Compressed air connection input	Compressed air connection output	Compressed air connection, exhaust	Operational voltage	Operational voltage AC at 50 Hz	Operational voltage AC at 60 Hz	Voltage tolerance DC	Part No.
5/2, with air spring return	3/8"	3/8"	M14x1	110 V AC	110 V	110 V		R432015590
5/2, with air spring return	3/8"	3/8"	M14x1	110 V AC	110 V	110 V		R432015613
5/2, with air spring return	3/8"	3/8"	M14x1	220 V AC	220 V	220 V		R432015591
5/2, with air spring return	3/8"	3/8"	M14x1	24 V AC	24 V			R432015594
5/2, with air spring return	3/8"	3/8"	M14x1	24 V AC	24 V			R432015616
5/2, with air spring return	3/8"	3/8"	M14x1	24 V DC			-10 % / +10 %	R432015593
5/2, with air spring return	3/8"	3/8"	M14x1	24 V DC			-10 % / +10 %	R432015615

Pilot	Manual override		Compatibility index	Part No.
Internal	with detent	Without valve plug connector	52	R432015590
Internal	with detent	With valve plug connector	52	R432015613
Internal	with detent	Without valve plug connector	52	R432015591
Internal	with detent	Without valve plug connector	52	R432015594
Internal	with detent	With valve plug connector	52	R432015616
Internal	with detent	Without valve plug connector	52	R432015593

Pilot	Manual override		Compatibil-ity index	Part No.
Internal	with detent	With valve plug connector	52	R432015615

Dimensions in inches



- 1) Gland fitting M16x1.5
- 2) M5 internal thread accessible under cap
- 3) Valve plug connector can be rotated at 90° intervals
- 4) Coil can be plugged at 45° intervals
- 5) Flow control screw for exhausts 5 (R) and 3 (S)
- 6) Manual override and position indicator

*) Manual override:

Manual actuation: (1) with detent - push and turn into position 1 (2) without detent - remove segment I - push only

Actuation with tool: (3) with detent - remove segments up to II - push with tool and turn into position 1

5/2-directional valve, Series 740, corrosion-resistant

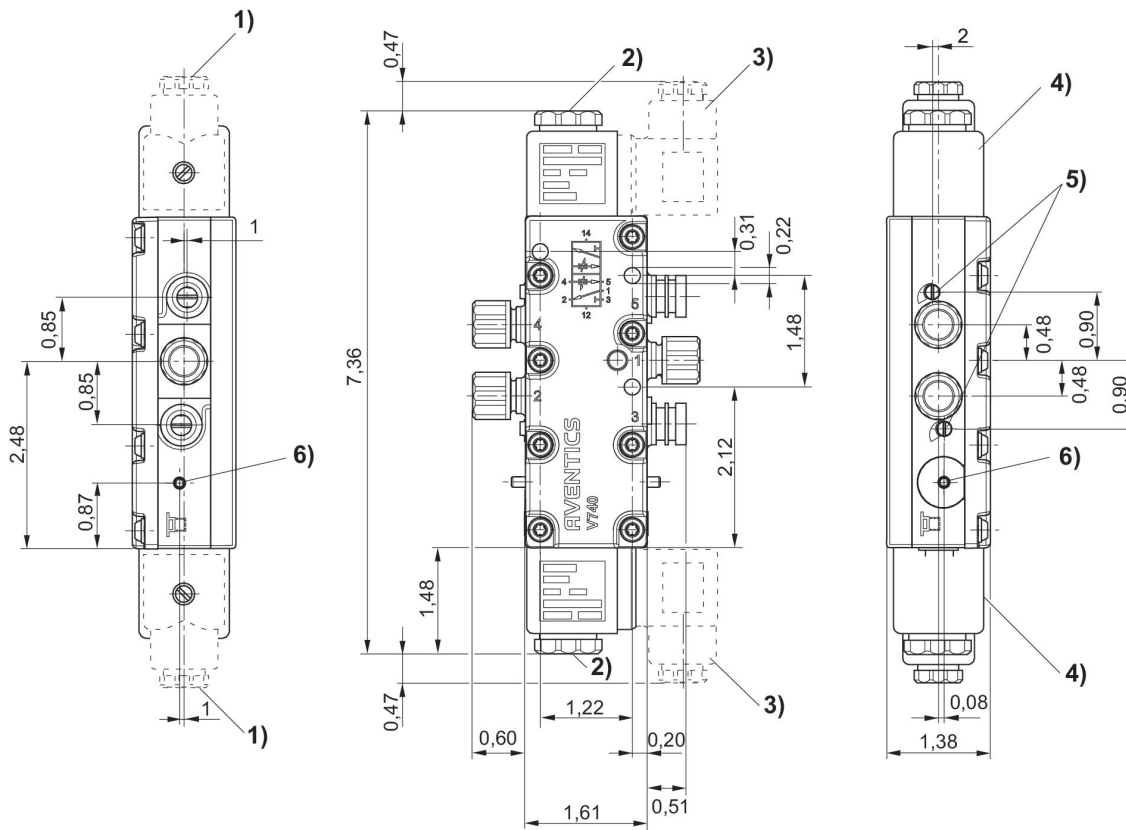
Flow: 700 l/min
 Activation: Electrically
 Actuating control: Double Solenoid
 Manual override: with detent
 Coil width: 30 mm
 Electrical connection 2, thread size: EN 175301-803, form A
 Compressed air connection type: Internal thread, plug-in with tube nut
 Corrosion resistance: corrosion-protected
 Compressed air connection input: Ø 10x1
 Compressed air connection output: Ø 10x1
 Compressed air connection, exhaust: M14x1
 Duty cycle: 100 %
 Type: Diaphragm poppet valve
 Ambient temperature min./max.: -15 °C ... 50 °C
 Medium temperature min./max.: -15 °C ... 50 °C
 Working pressure min./max.: 2 bar ... 10 bar



Switching principle	Compressed air connection input	Compressed air connection output	Compressed air connection, exhaust	Operational voltage	Operational voltage AC at 50 Hz	Operational voltage AC at 60 Hz	Pilot	Part No.
5/2, double solenoid	3/8"	3/8"	M14x1	110 V AC	110 V	110 V	Internal	R432015597
5/2, double solenoid	3/8"	3/8"	M14x1	110 V AC	110 V	110 V	Internal	R432015617
5/2, double solenoid	3/8"	3/8"	M14x1	220 V AC	220 V	220 V	Internal	R432015598
5/2, double solenoid	3/8"	3/8"	M14x1	220 V AC	220 V	220 V	Internal	R432015618
5/2, double solenoid	3/8"	3/8"	M14x1	24 V DC			Internal	R432015599
5/2, double solenoid	3/8"	3/8"	M14x1	24 V DC			Internal	R432015619

Manual override		Compatibility index	Part No.
with detent	Without valve plug connector	52	R432015597
with detent	With valve plug connector	52	R432015617
with detent	Without valve plug connector	52	R432015598
with detent	With valve plug connector	52	R432015618
with detent	Without valve plug connector	52	R432015599
with detent	With valve plug connector	52	R432015619

Dimensions in inches



- 1) Gland fitting M16x1.5
- 2) M5 internal thread accessible under cap
- 3) Valve plug connector can be rotated at 90° intervals
- 4) Coil can be plugged at 45° intervals
- 5) Flow control screw for exhausts 5 (R) and 3 (S)
- 6) Manual override and position indicator

5/4-directional valve, Series 740

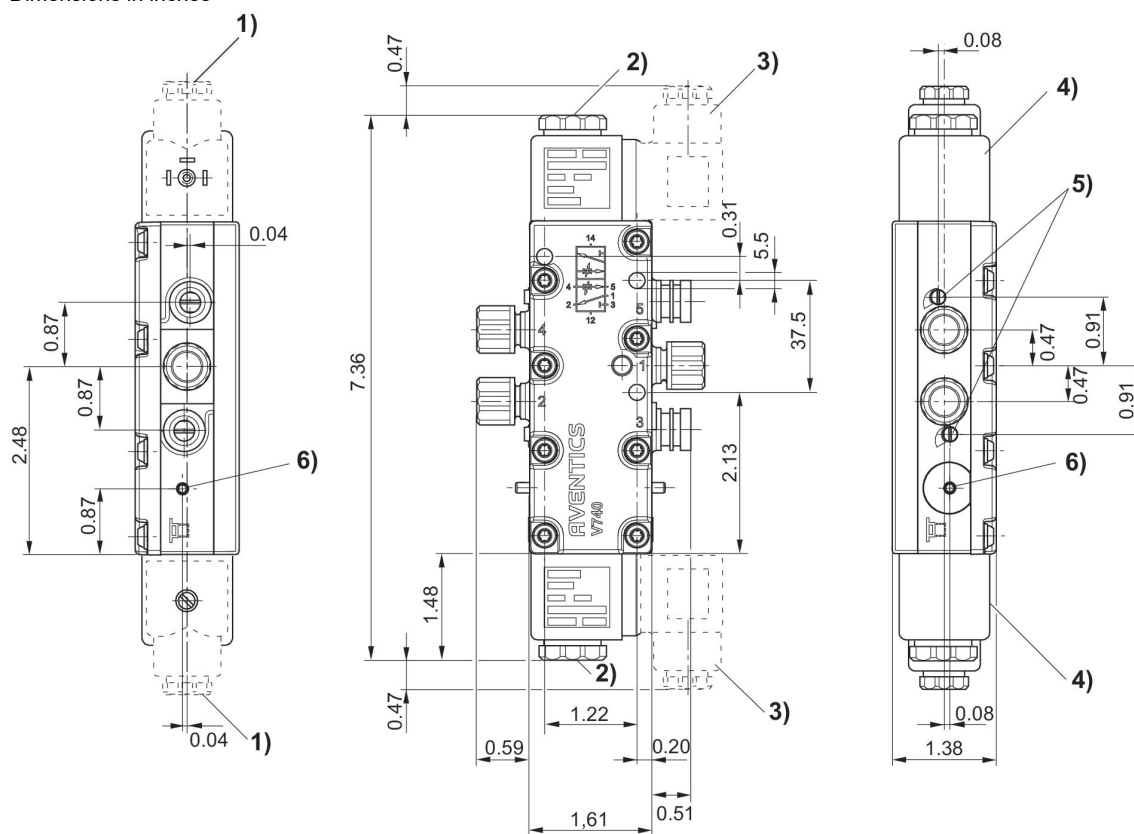
Flow: 700 l/min
 Activation: Electrically
 Manual override: without detent
 Coil width: 30 mm
 Electrical connection 2, thread size: EN 175301-803, form A
 Compressed air connection type: plug-in with tube nut
 Compressed air connection, exhaust: M14x1
 Duty cycle: 100 %
 Type: Diaphragm poppet valve
 Ambient temperature min./max.: -15 °C ... 50 °C
 Medium temperature min./max.: -15 °C ... 50 °C
 Working pressure min./max.: 3 bar ... 10 bar



Version	Switching principle	Compressed air connection input	Compressed air connection output	Compressed air connection, exhaust	Operational voltage	Operational voltage AC at 50 Hz	Operational voltage AC at 60 Hz	Part No.
Exhausted Center	5/4, exhausted center	3/8"	3/8"	M14x1	110 V AC	110 V	110 V	R432016665
Exhausted Center	5/4, exhausted center	3/8"	3/8"	M14x1	220 V AC	220 V	220 V	R432016666
Exhausted Center	5/4, exhausted center	3/8"	3/8"	M14x1	24 V AC	24 V	24 V	R432016669
Exhausted Center	5/4, exhausted center	3/8"	3/8"	M14x1	24 V DC			R432016668

Voltage tolerance DC	Pilot	Manual override		Compatibility index	Part No.
	Internal	without detent	Without valve plug connector	52	R432016665
	Internal	without detent	Without valve plug connector	52	R432016666
	Internal	without detent	Without valve plug connector	52	R432016669
-10 % / +10 %	Internal	without detent	Without valve plug connector	52	R432016668

Dimensions in inches



1) gland fitting M16x1,5 2) M5 internal thread accessible under cap 3) el. connector can be fixed at 90° intervals 4) coil can be mounted at 45° intervals 5) throttle screw for exhausts 5 (R) and 3 (S) 6) manual override and position indicator

5/4-directional valve, Series 740

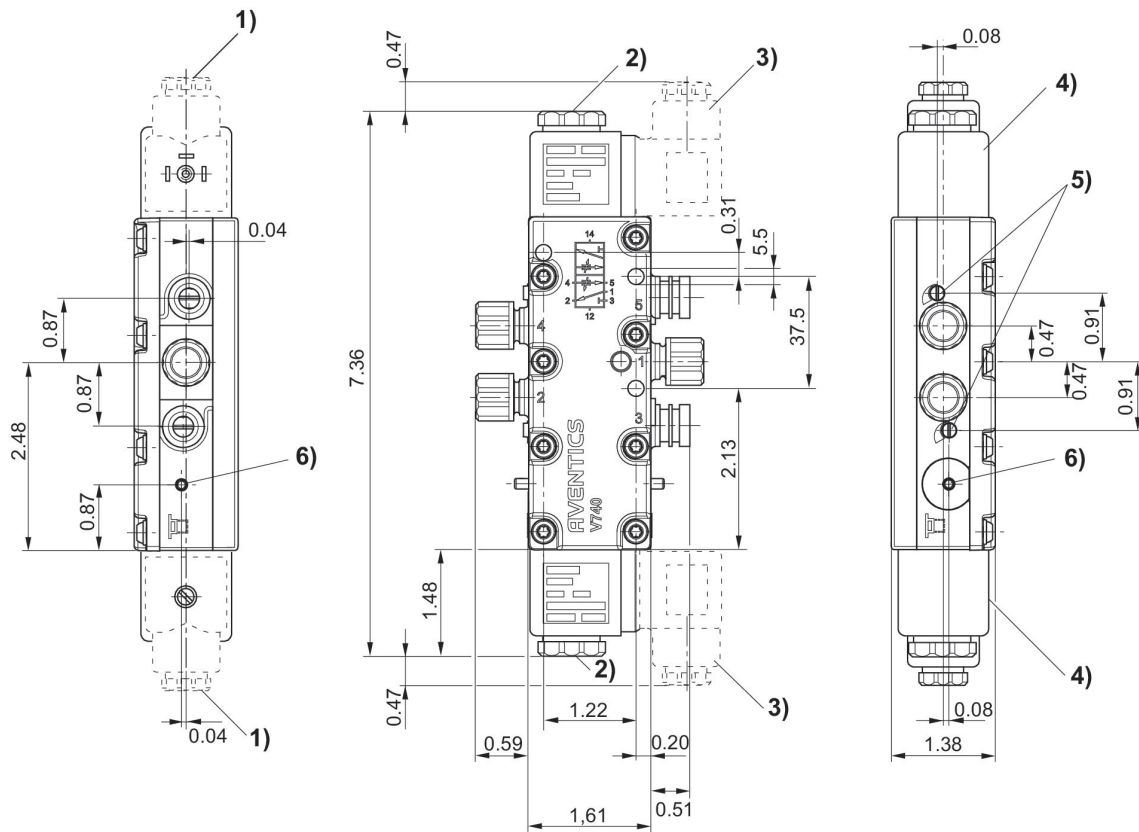
Flow: 700 l/min
 Activation: Electrically
 Manual override: without detent
 Coil width: 30 mm
 Electrical connection 2, thread size: EN 175301-803, form A
 Compressed air connection type: plug-in with tube nut
 Compressed air connection, exhaust: M14x1
 Duty cycle: 100 %
 Type: Diaphragm poppet valve
 Ambient temperature min./max.: -15 °C ... 50 °C
 Medium temperature min./max.: -15 °C ... 50 °C
 Working pressure min./max.: 3 bar ... 10 bar



Version	Switching principle	Compressed air connection input	Compressed air connection output	Compressed air connection, exhaust	Operational voltage	Operational voltage AC at 50 Hz	Operational voltage AC at 60 Hz	Part No.
Closed Center	5/4, closed center	3/8"	3/8"	M14x1				5727855402
Closed Center	5/4, closed center	3/8"	3/8"	M14x1	110 V AC	110 V	110 V	R432016670
Closed Center	5/4, closed center	3/8"	3/8"	M14x1	220 V AC	220 V	220 V	R432016671
Closed Center	5/4, closed center	3/8"	3/8"	M14x1	24 V DC			R432016674
Closed Center	5/4, closed center	3/8"	3/8"	M14x1	24 V AC	24 V	24 V	R432016675

Voltage tolerance DC	Pilot	Manual override		Compatibility index	Part No.
	Internal	without detent	Without valve plug connector	52	5727855402
	Internal	without detent	Without valve plug connector	52	R432016670
	Internal	without detent	Without valve plug connector	52	R432016671
-10 % / +10 %	Internal	without detent	Without valve plug connector	52	R432016674
	Internal	without detent	Without valve plug connector	52	R432016675

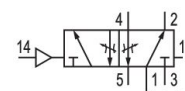
Dimensions in inches



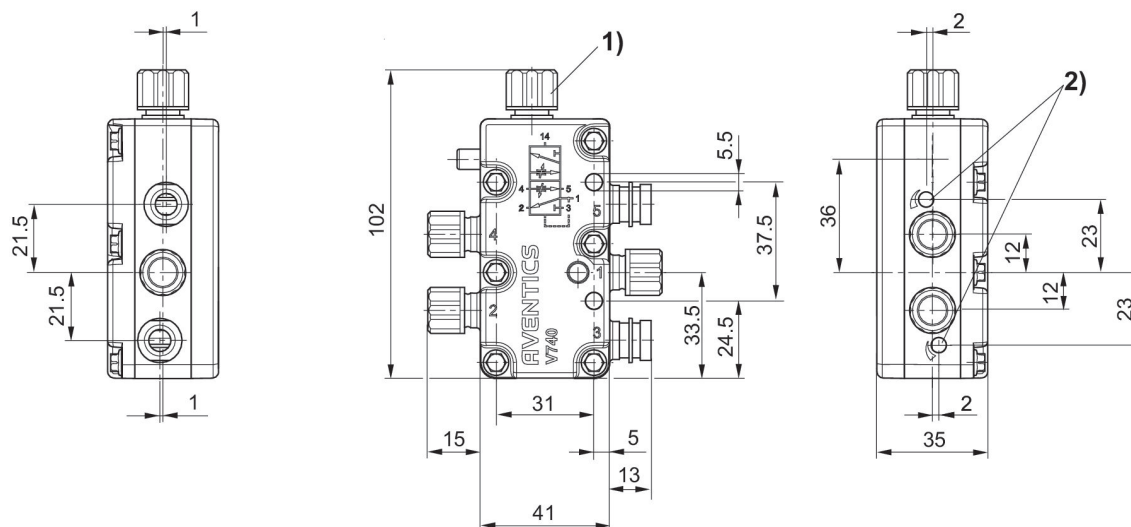
1) gland fitting M16x1,5 2) M5 internal thread accessible under cap 3) el. connector can be fixed at 90° intervals 4) coil can be mounted at 45° intervals 5) throttle screw for exhausts 5 (R) and 3 (S) 6) manual override and position indicator

5/2-directional valve, Series 740, Single Air Pilot

Activation: Pneumatically
 Manual override: without
 Compressed air connection type: Internal thread, plug-in with tube nut
 Type: Diaphragm poppet valve
 Ambient temperature min./max.: -15 °C ... 60 °C
 Medium temperature min./max.: -15 °C ... 60 °C
 Working pressure min./max.: 1.5 bar ... 10 bar

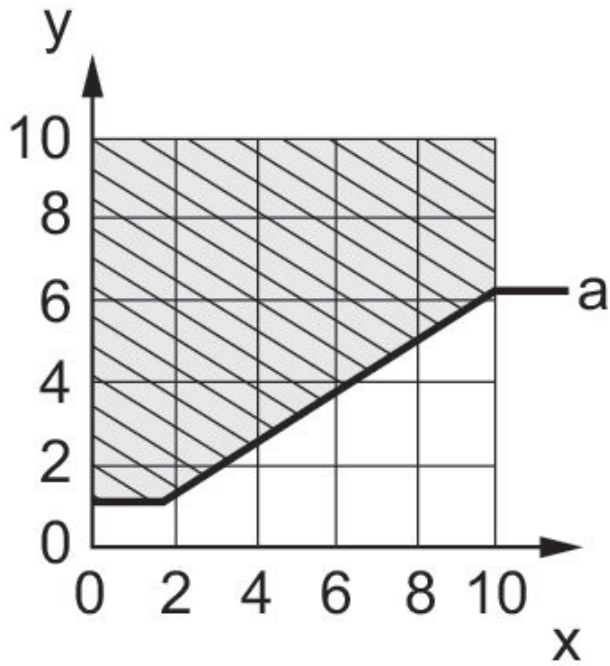


Switching principle	Compressed air connection input	Compressed air connection output	Compressed air connection, exhaust	Pilot	Manual override		Part No.
5/2, with air spring return	Ø 8x1	Ø 8x1	M14x1	Internal	without	Suitable for ATEX	571740000
5/2, with air spring return	Ø 10x1	Ø 10x1	M14x1	Internal	without	Suitable for ATEX	571745000



1) for pipe Ø 8 x 1 2) flow control screw for exhausts 5 (R) and 3 (S)

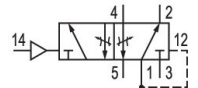
Pilot pressure range



x: Working pressure ([0 bar]... [10 bar]) y: Pilot pressure ([1 bar] ...[6 bar]) a: Min. pilot pressure at port 14 (Z) depending on working pressure

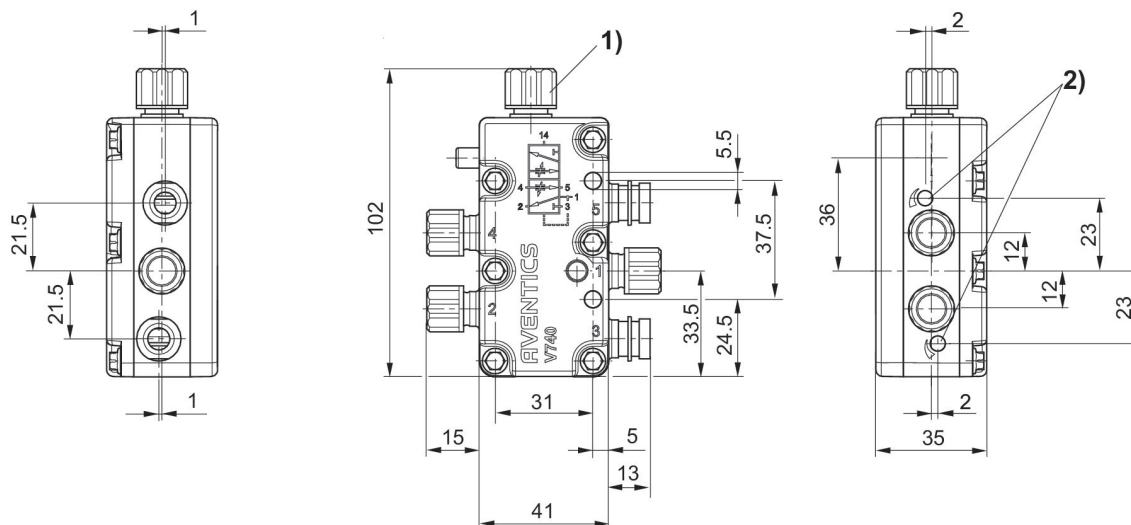
5/2-directional valve, Series 740, Single Air Pilot

Flow: 950 l/min
 Activation: Pneumatically
 Manual override: without
 Compressed air connection type: Internal thread, plug-in with tube nut
 Corrosion resistance: corrosion-protected
 Compressed air connection input: Ø 10x1
 Compressed air connection output: Ø 10x1
 Type: Diaphragm poppet valve
 Ambient temperature min./max.: -15 °C ... 60 °C
 Medium temperature min./max.: -15 °C ... 60 °C
 Working pressure min./max.: 2 bar ... 10 bar



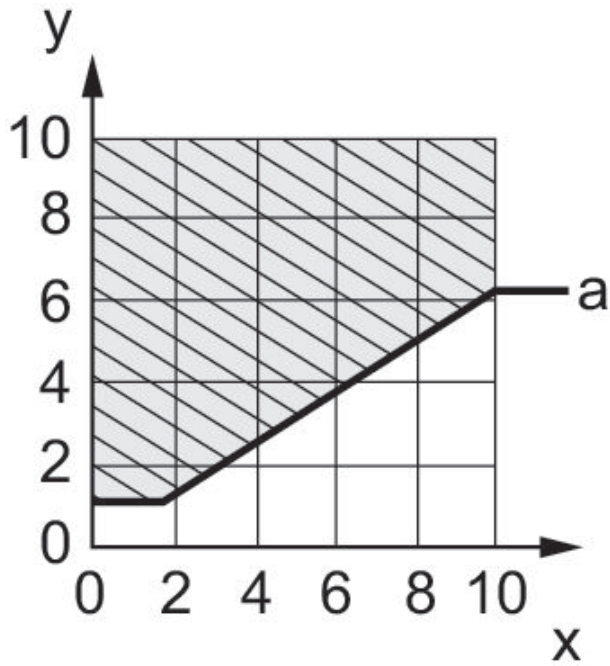
Switching principle	Compressed air connection input	Compressed air connection output	Compressed air connection, exhaust	Pilot	Manual override		Part No.
5/2, with air spring return	Ø 10x1	Ø 10x1	M14x1	Internal	without	Suitable for ATEX	5717451000

Dimensions



1) for pipe Ø 8 x 1 2) flow control screw for exhausts 5 (R) and 3 (S)

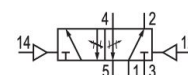
Pilot pressure range



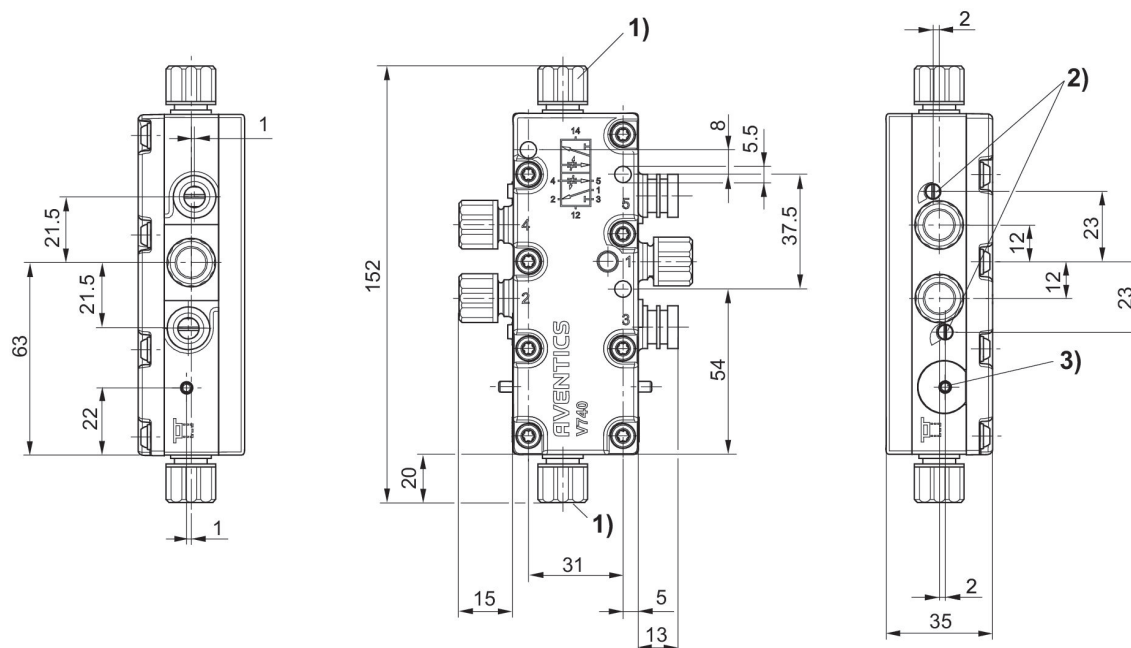
x: Working pressure ([0 bar]... [10 bar]) y: Pilot pressure ([1 bar] ...[6 bar]) a: Min. pilot pressure at port 14 (Z) depending on working pressure

5/2-directional valve, Series 740, Double Air Pilot

Activation: Pneumatically
 Actuating control: Double Air Pilot
 Manual override: with detent
 Compressed air connection type: Internal thread, plug-in with tube nut
 Type: Diaphragm poppet valve
 Ambient temperature min./max.: -15 °C ... 60 °C
 Medium temperature min./max.: -15 °C ... 60 °C
 Working pressure min./max.: 1.5 bar ... 10 bar

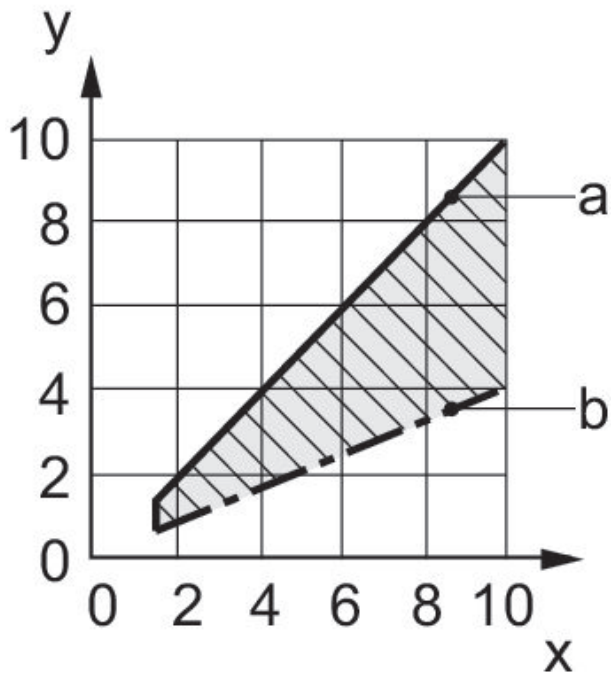


Switching principle	Compressed air connection input	Compressed air connection output	Compressed air connection, exhaust	Pilot	Manual override		Part No.
5/2, double air pilot	Ø 8x1	Ø 8x1	M14x1	Internal	with detent	Suitable for ATEX	5717410000
5/2, double air pilot	Ø 10x1	Ø 10x1	M14x1	Internal	with detent	Suitable for ATEX	5717460000



1) for pipe Ø 8 x 1 2) flow control screw for exhausts 5 (R) and 3 (S) 3) position indicator

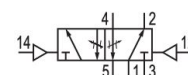
Pilot pressure range



x: operating pressure (bar) y: control pressure (bar) a: maximum control pressure depending on operating pressure b: minimum control pressure depending on operating pressure

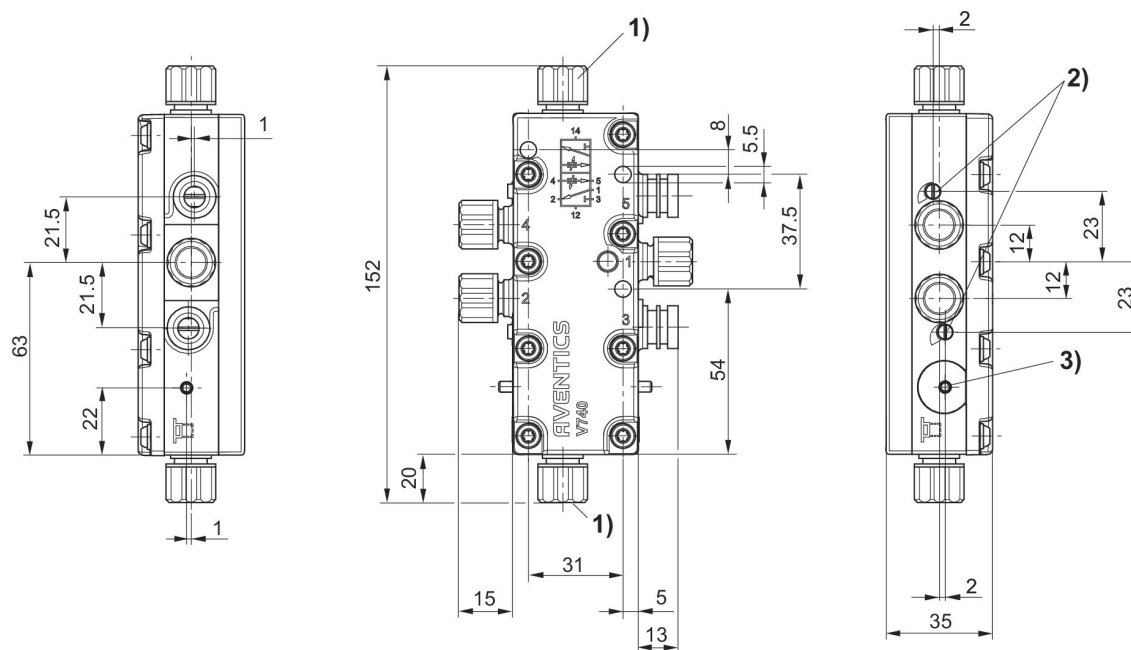
5/2-directional valve, Series 740, Double Air Pilot

Flow: 950 l/min
 Activation: Pneumatically
 Actuating control: Double Air Pilot
 Manual override: with detent
 Compressed air connection type: Internal thread, plug-in with tube nut
 Corrosion resistance: corrosion-protected
 Compressed air connection input: Ø 10x1
 Compressed air connection output: Ø 10x1
 Type: Diaphragm poppet valve
 Ambient temperature min./max.: -15 °C ... 60 °C
 Medium temperature min./max.: -15 °C ... 60 °C
 Working pressure min./max.: 2 bar ... 10 bar



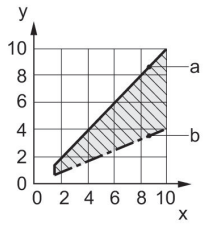
Switching principle	Compressed air connection input	Compressed air connection output	Compressed air connection, exhaust	Pilot	Manual override		Part No.
5/2, double air pilot	Ø 10x1	Ø 10x1	M14x1	Internal	with detent	Suitable for ATEX	5717461000

Dimensions



1) for pipe Ø 8 x 1 2) flow control screw for exhausts 5 (R) and 3 (S) 3) position indicator

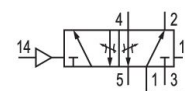
Pilot pressure range



x: operating pressure (bar) y: control pressure (bar) a: maximum control pressure depending on operating pressure b: minimum control pressure depending on operating pressure

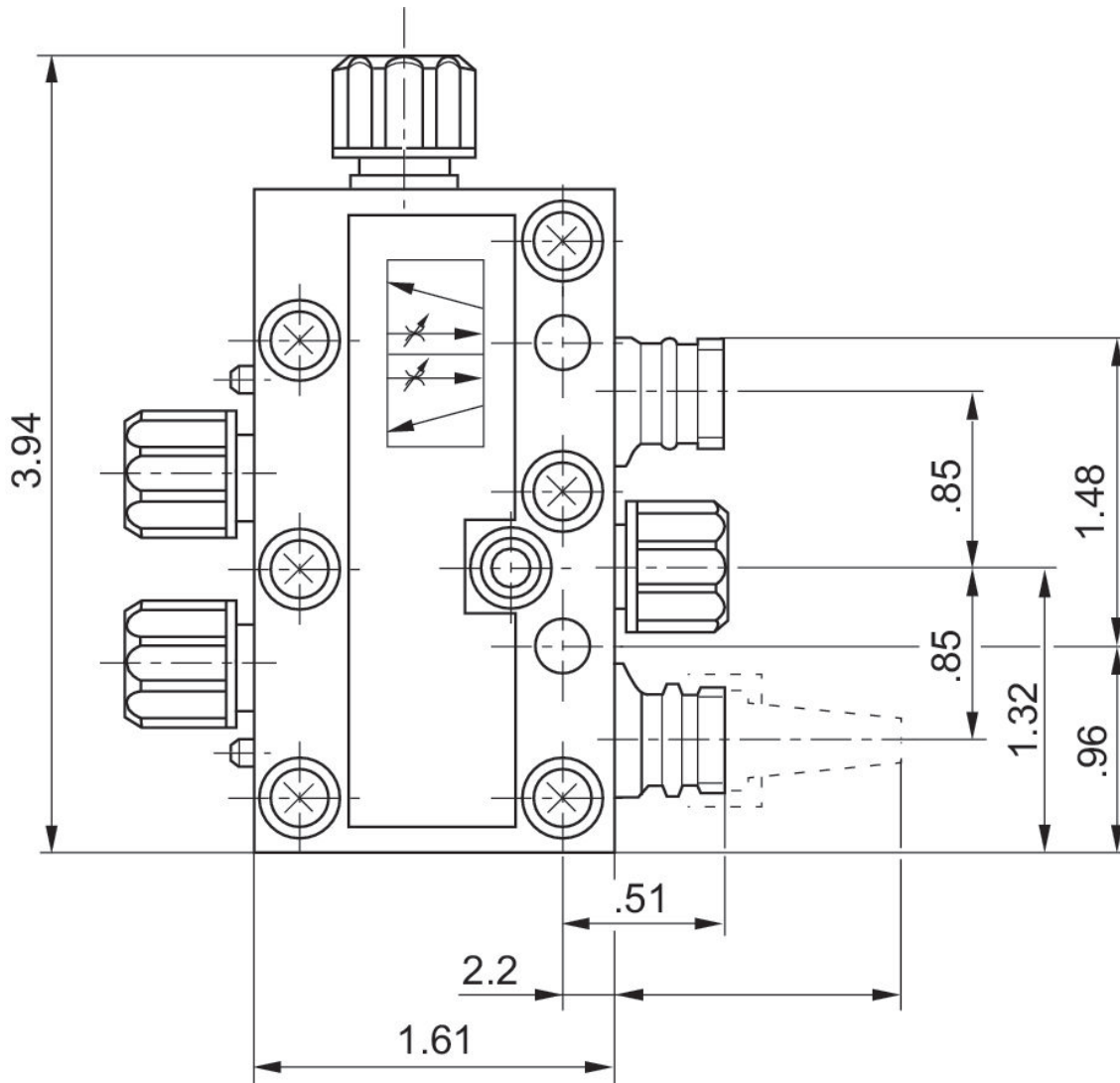
5/2-directional valve, Series 740, Single Air Pilot

Activation: Pneumatically
 Manual override: without
 Compressed air connection type: Internal thread, plug-in with tube nut
 Type: Diaphragm poppet valve
 Ambient temperature min./max.: -15 °C ... 60 °C
 Medium temperature min./max.: -15 °C ... 60 °C
 Working pressure min./max.: 1.5 bar ... 10 bar

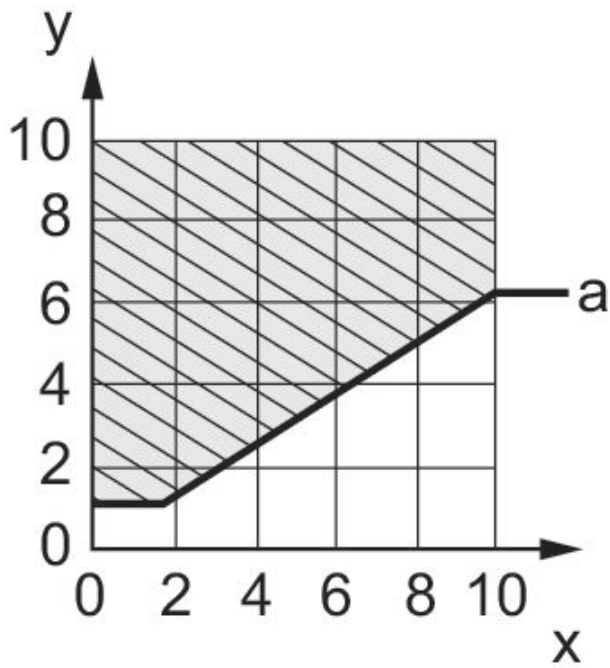


Switching principle	Compressed air connection input	Compressed air connection output	Compressed air connection, exhaust	Pilot	Manual override	Part No.
5/2, with air spring return	3/8"	3/8"	3/8"	Internal	without	R432013808

Dimensions in inches



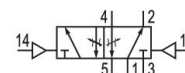
Pilot pressure range



x: Working pressure ([0 bar]... [10 bar]) y: Pilot pressure ([1 bar] ...[6 bar]) a: Min. pilot pressure at port 14 (Z) depending on working pressure

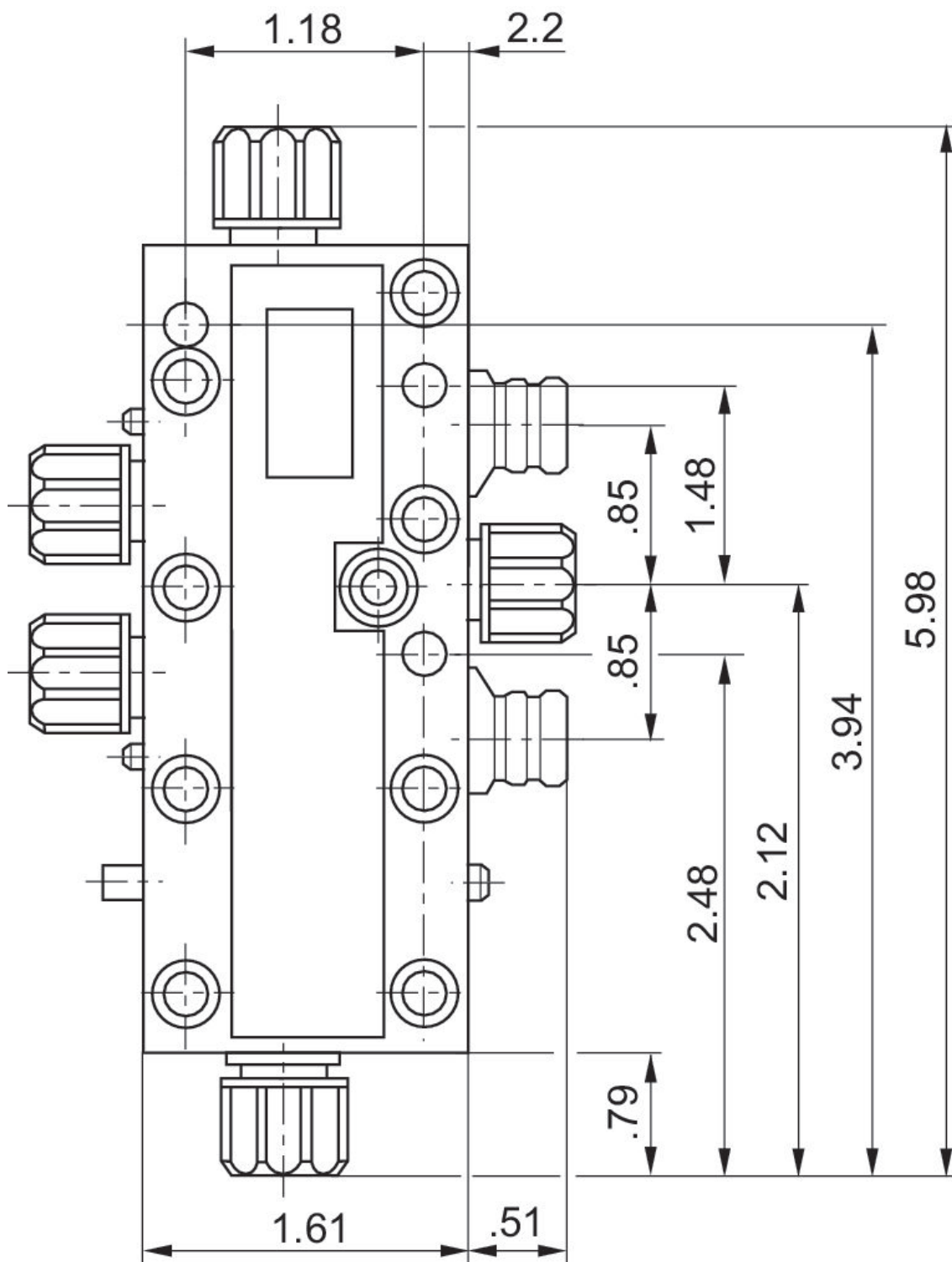
5/2-directional valve, Series 740, Double Air Pilot

Activation: Pneumatically
 Actuating control: Double Air Pilot
 Manual override: with detent
 Compressed air connection type: Internal thread, plug-in with tube nut
 Type: Diaphragm poppet valve
 Ambient temperature min./max.: -15 °C ... 60 °C
 Medium temperature min./max.: -15 °C ... 60 °C
 Working pressure min./max.: 1.5 bar ... 10 bar

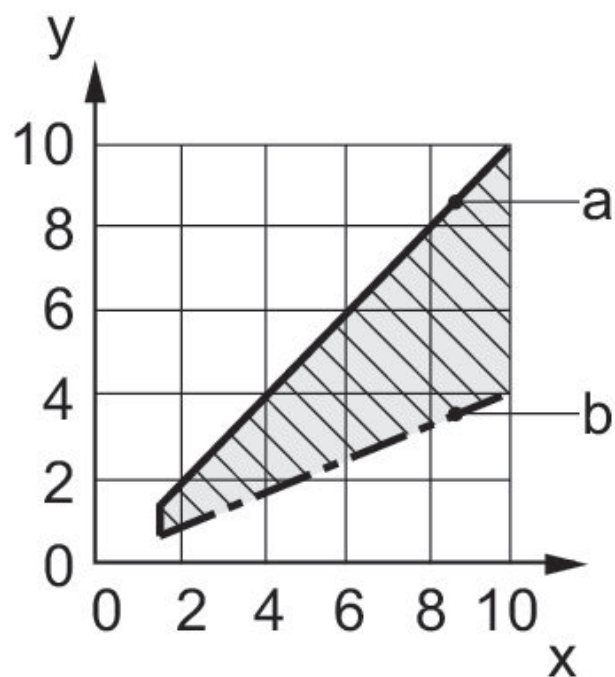


Switching principle	Compressed air connection input	Compressed air connection output	Compressed air connection, exhaust	Pilot	Manual override	Part No.
5/2, double air pilot	3/8"	3/8"	3/8"	Internal	with detent	R432013810

Dimensions in inches



Pilot pressure range



x: operating pressure (bar) y: control pressure (bar) a: maximum control pressure depending on operating pressure b: minimum control pressure depending on operating pressure

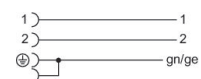
Valve plug connector with cable series CON-VP, Form A

Electrical connection 1: Socket ... form A ... 2+E ... angled

Electrical connection 2: open cable ends ... 3-pin

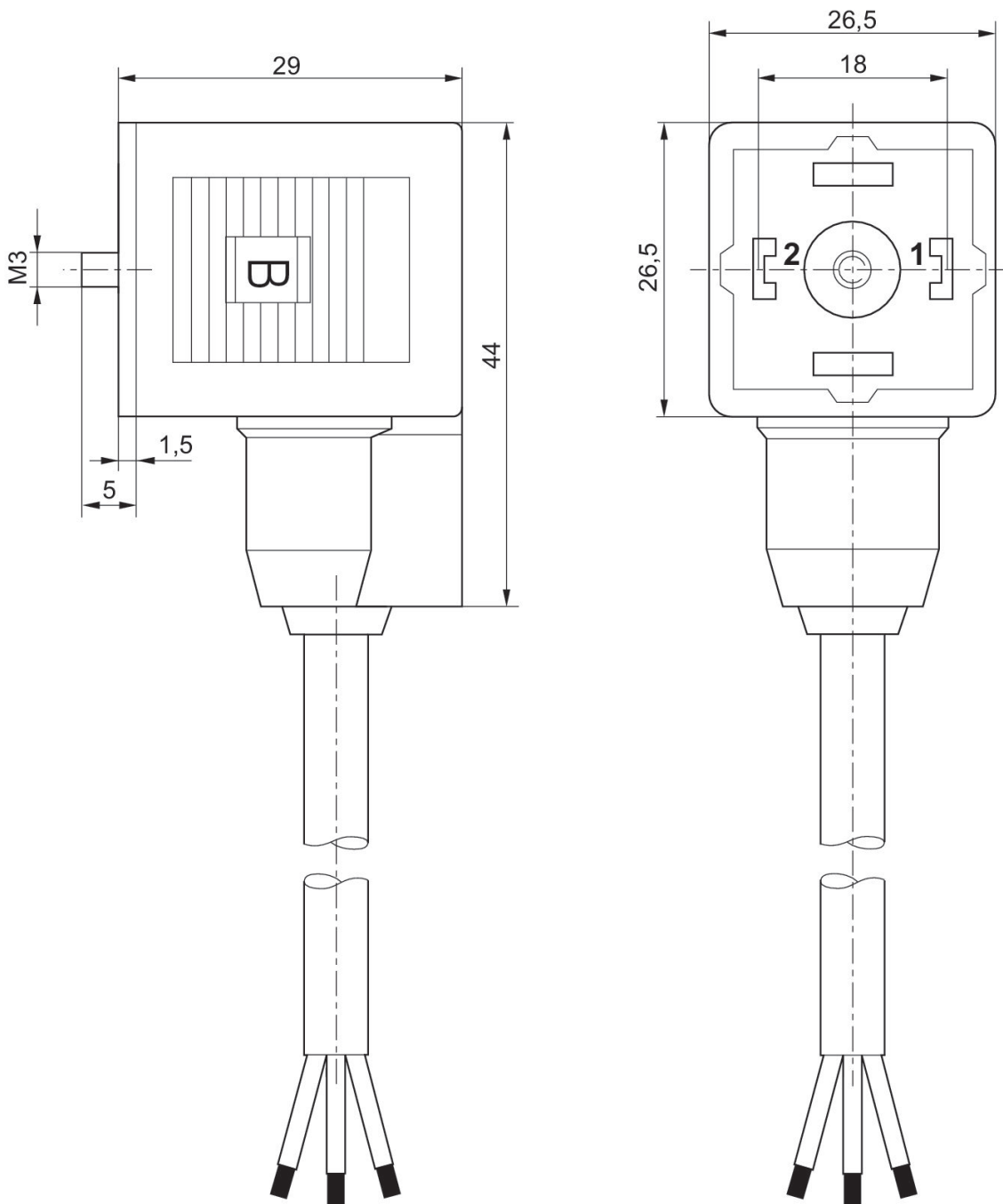
Shielding: unshielded

Ambient temperature min./max.: -20 °C ... 80 °C



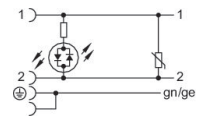
Operational voltage	Contact assignment	Cable-Ø [mm]	Cable length [m]	Part No.
230 V AC/DC	2+E	5.9	3	1834484160

Dimensions



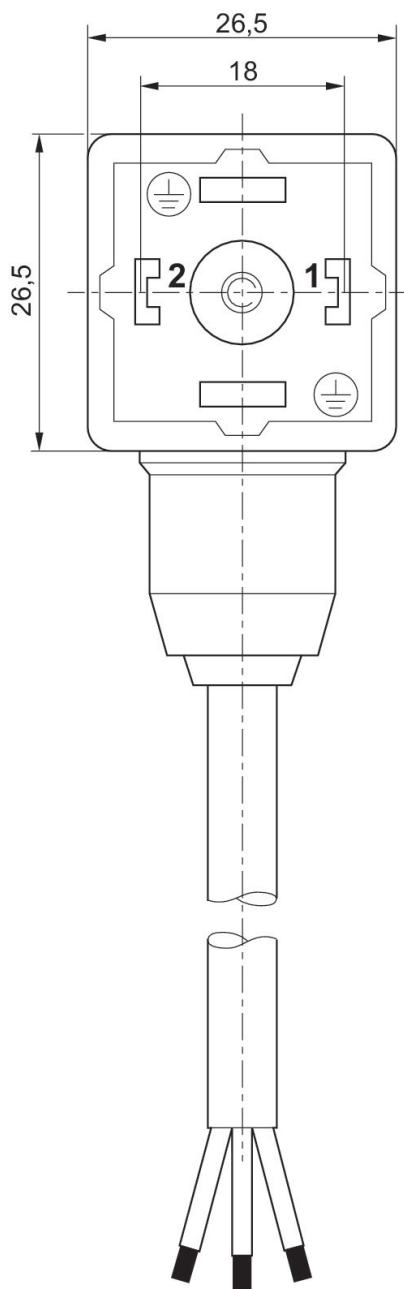
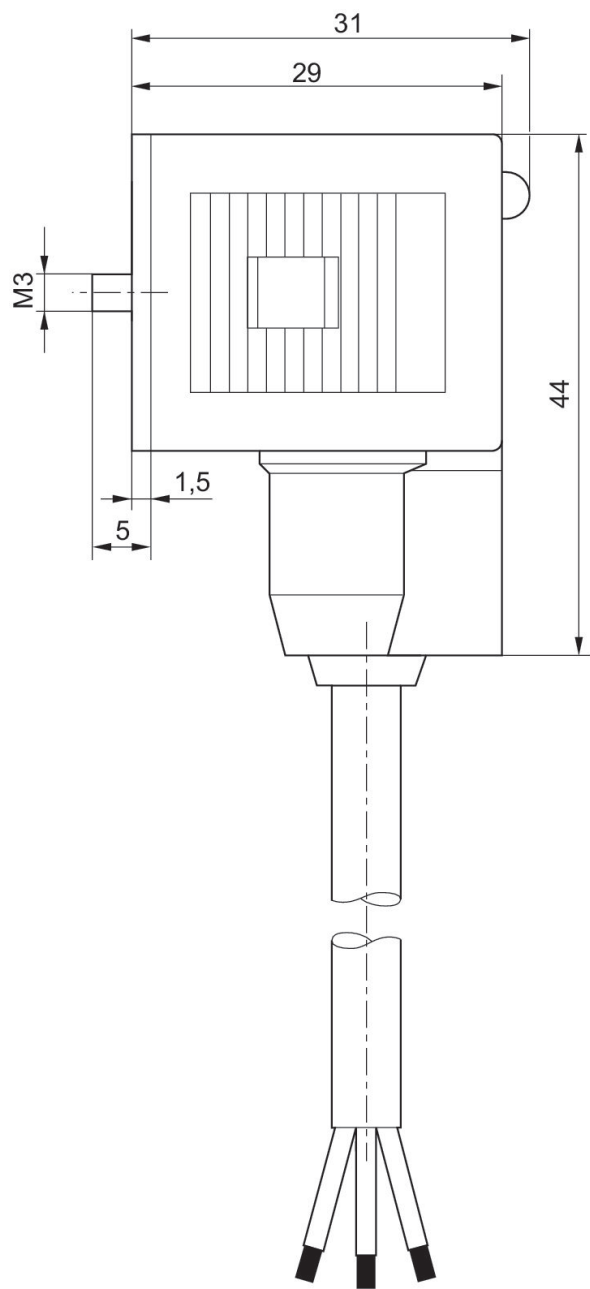
Valve plug connector with cable series CON-VP, Form A

Electrical connection 1: Socket ... form A ... 2+E ... angled
 Electrical connection 2: open cable ends ... 3-pin
 Shielding: unshielded
 Protective circuit: Varistor
 Ambient temperature min./max.: -20 °C ... 80 °C



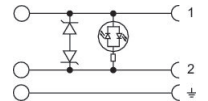
Operational voltage	Protective circuit	Contact assignment	LED status display	Cable-Ø [mm]	Cable length [m]	Part No.
24 V AC/DC	Z-diode	2+E	Yellow	5.9	3	1834484162
24 V AC/DC	Z-diode	2+E	Yellow	5.9	5	1834484163
230 V AC/DC	Varistor	2+E	Red	5.9	3	1834484164
230 V AC/DC	Varistor	2+E	Red	5.9	5	1834484165

Dimensions



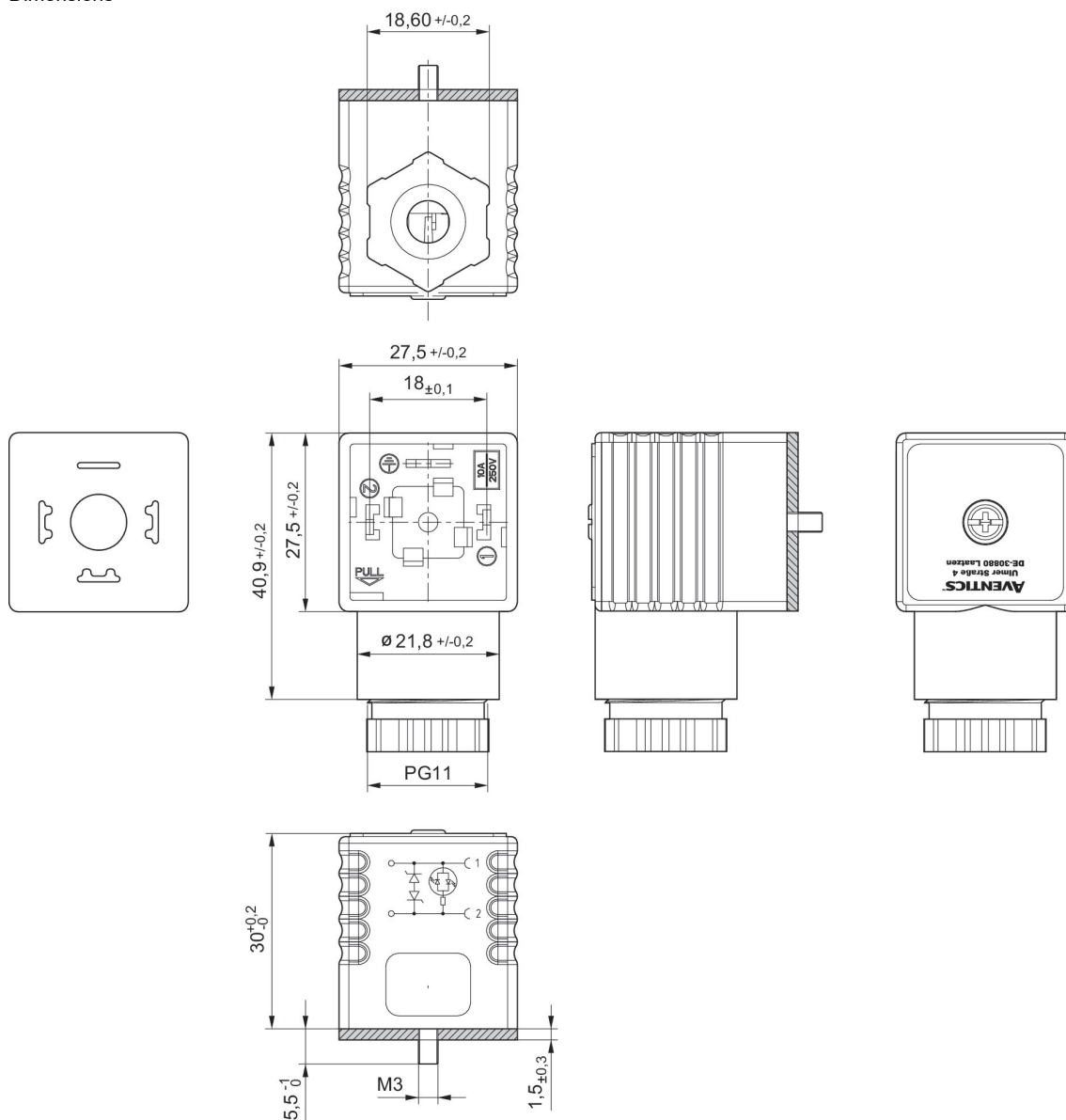
Valve plug connector, series CON-VP, Form A, 24 V AC/DC, Flat gasket

Electrical connection 1: EN 175301-803, form A
Ambient temperature min./max.: -40 °C ... 90 °C



Operational voltage	Protective circuit	Max. current [A]	Contact assignment	LED status display	min. suitable cable Ø [mm]	max. suitable cable Ø [mm]	Part No.
24 V AC/DC	2 Z-diodes	1.5	2+E	Yellow	4	9.5	1834484101

Dimensions



Profile seal

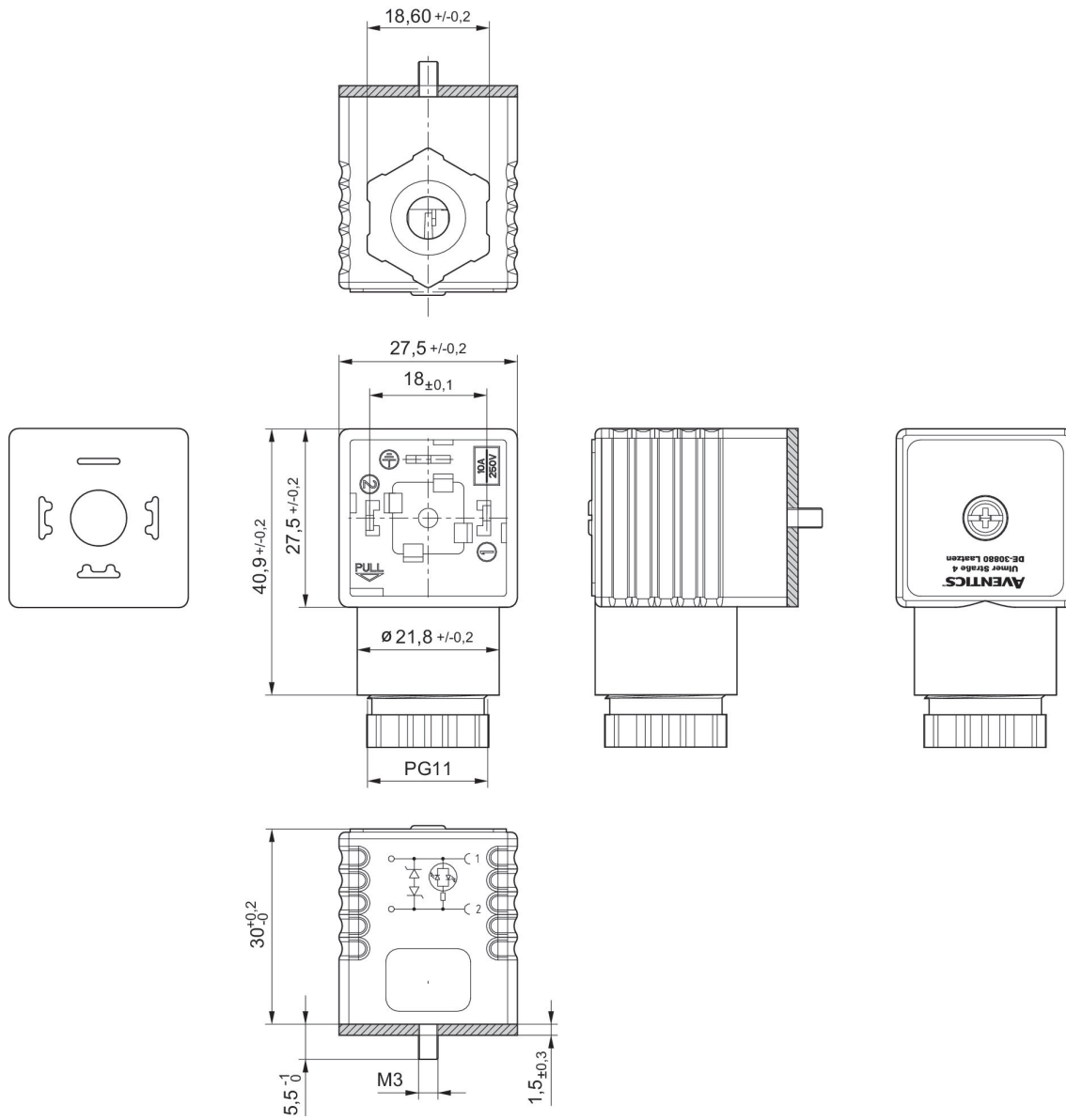
Valve plug connector, series CON-VP, form A, 115/230 V AC/DC

Electrical connection 1: EN 175301-803, form A
Ambient temperature min./max.: -40 °C ... 90 °C



	Operational voltage	Protective circuit	Contact assignment	LED status display	min. suitable cable Ø [mm]	max. suitable cable Ø [mm]	Part No.
	115 V AC/DC	Varistor	2+E	Red	6.5	9.5	1834484102
	230 V AC/DC	Varistor	2+E	Red	6.5	9.5	1834484103

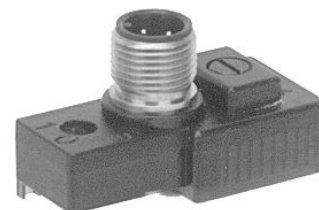
Dimensions



Profile seal

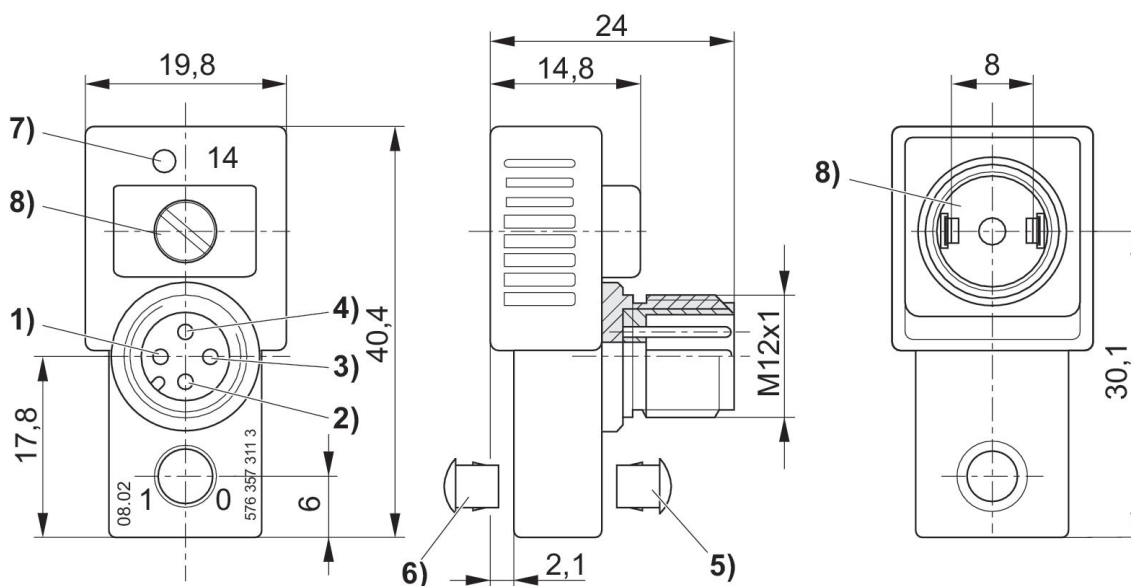
Contact bridges, series CON-CB

Ambient temperature min./max.: -15 °C ... 50 °C



Operational voltage	Max. current [A]	Contact assignment	LED status display	Part No.
24 V AC	4	4-pin	Yellow	5763573113

Dimensions



- 1) not assigned 2) not assigned 3) 0 V 4) magnet 14
- 5) Sealing cap for manual override not removable
- 6) Removable
- 7) LED valve
- 8) captive seal and screw

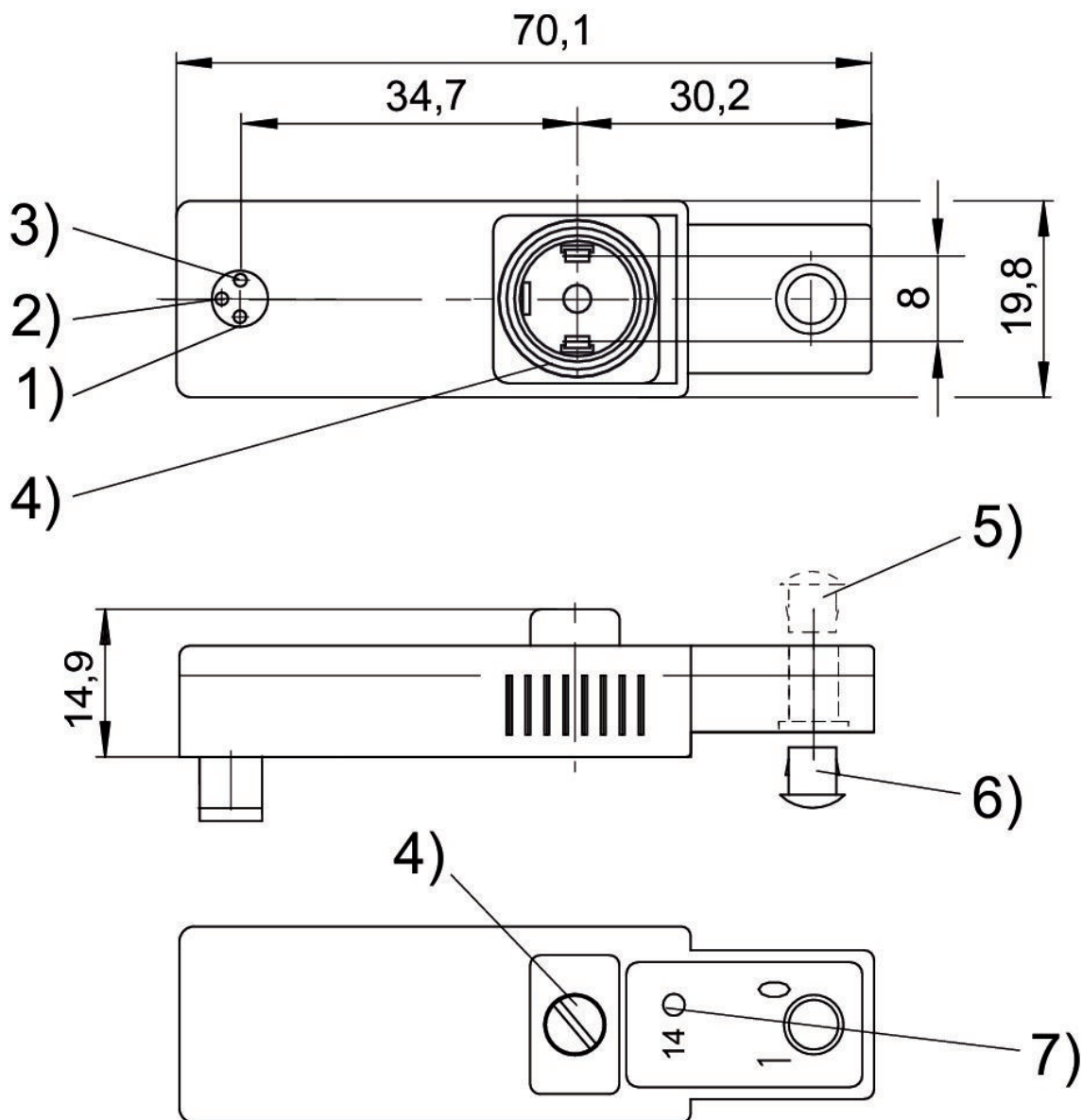
Contact bridges, series CON-CB

Ambient temperature min./max.: -25 °C ... 75 °C



Operational voltage	Max. current [A]	Contact assignment	LED status display	Part No.
24 V DC	0.5	3-pin	Yellow	5763503183

Dimensions



1) solenoid 14##2) not assigned##3) 0 V## 4) captive seal and screw##5) sealing cap for manual override not removable##6) removable##7) LED valve

Coil, Series CO2, form A, class F, polyamide

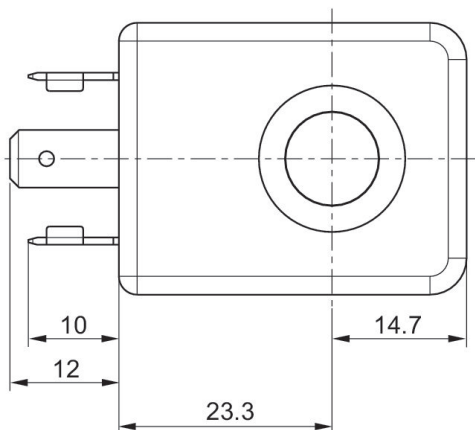
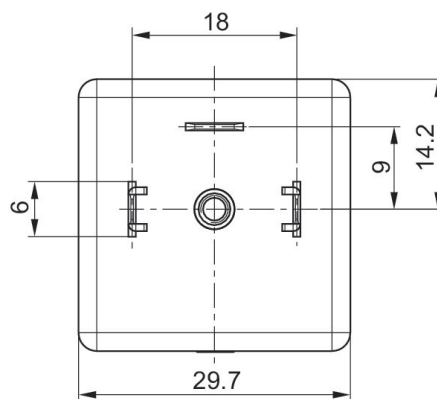
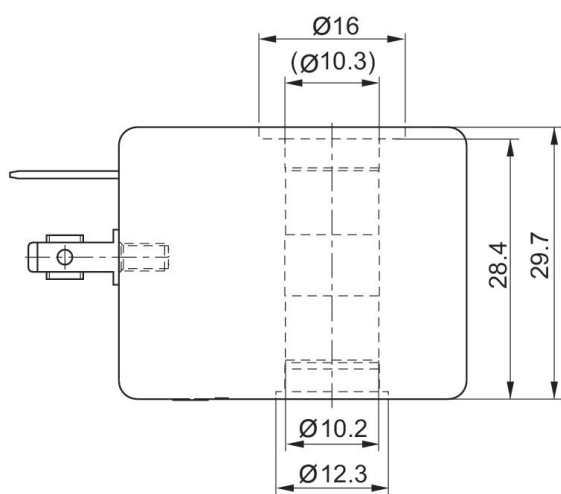
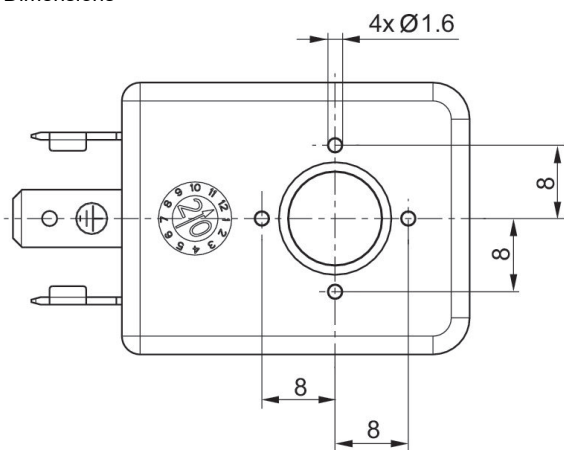
Coil width: 30 mm
 Electrical connection 2, thread size: form A
 Certificates: CE declaration of conformity, UKCA
 Coil insulation class: Class F
 Electrical connection 2, number of poles: 3-pin
 : Ambient temperature: -25 ... 60°C
 Ambient temperature min./max.: -25 °C ... 60 °C
 Medium temperature min./max.: -25 °C ... 60 °C



Operational voltage DC	Operational voltage AC at 50 Hz	Operational voltage AC at 60 Hz	Voltage tolerance	Power consumption DC [W]	Holding power AC 50 Hz	Holding power AC 60 Hz	Switch-on power AC 50 Hz	Part No.
24 V			-10 % / +10 %	2.7				549534-005-1A
24 V	48 V		-10 % / +10 %	4.3		3,5 VA	6,3 VA	549534-010-1A
12 V	24 V	24 V	-10 % / +10 %	6.8	6 VA	5 VA	10 VA	549534-018-1A

Switch-on power AC 60 Hz	Compatibility index	Part No.
	53	549534-005-1A
	54	549534-010-1A
8,7 VA	56	549534-018-1A

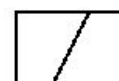
Dimensions



Coil, Series CO1, ATEX

Coil width: 30 mm

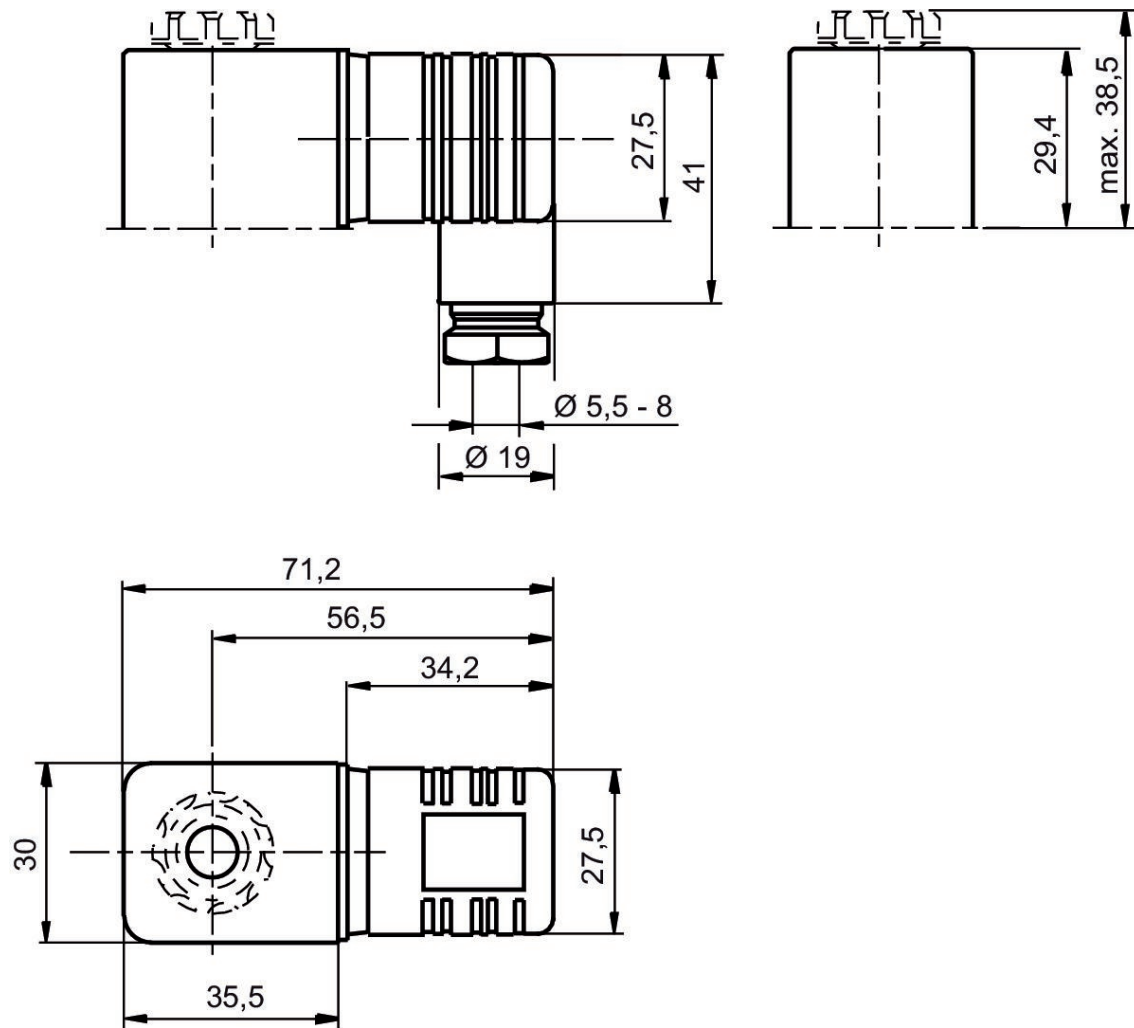
Ambient temperature min./max.: -10 °C ... 50 °C



Operational voltage DC	Operational voltage AC at 50 Hz	Operational voltage AC at 60 Hz	Voltage tolerance DC	Voltage tolerance AC 50 Hz	Voltage tolerance AC 60 Hz	Power consumption DC [W]	Holding power AC 50 Hz [VA]	Part No.
24 V			-10 % / +10 %			2.1		R412000144
	24 V	24 V		-10 % / +10 %	-10 % / +10 %		4	R412000145
	110 V	110 V		-10 % / +10 %	-10 % / +10 %		4	R412000146
	230 V	230 V		-10 % / +10 %	-10 % / +10 %		4	R412000147

Switch-on power AC 50 Hz [VA]	Compatibility index	Part No.
	13	R412000144
6.9	13	R412000145
6.8	13	R412000146
6.9	13	R412000147

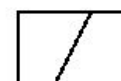
Dimensions



Coil, Series CO1, with cable, ATEX

Coil width: 30 mm

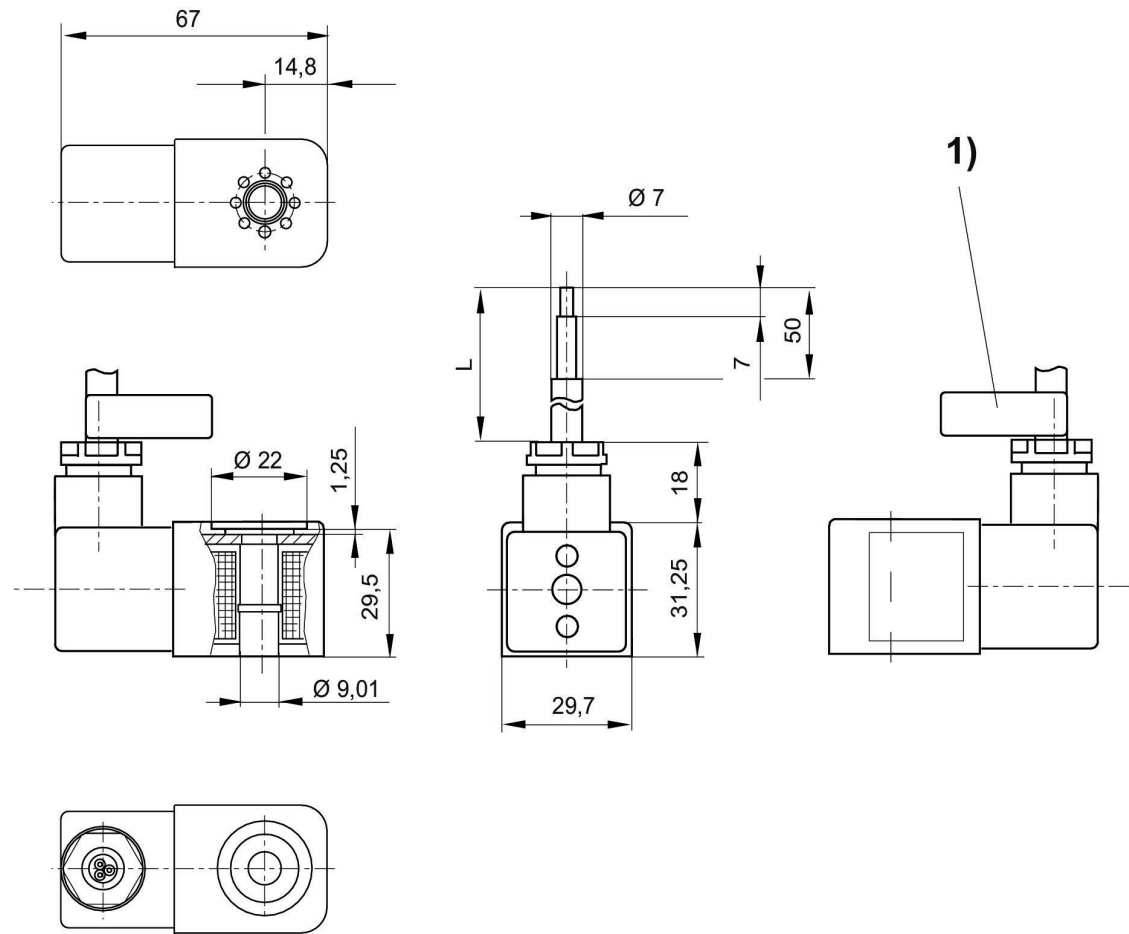
Ambient temperature min./max.: -20 °C ... 50 °C



Operational voltage DC	Operational voltage AC at 50 Hz	Operational voltage AC at 60 Hz	Voltage tolerance DC	Voltage tolerance AC 50 Hz	Power consumption DC [W]	Holding power AC 50 Hz [VA]	Switch-on power AC 50 Hz [VA]	Part No.
	230 V	230 V		-10 % / +10 %		3	3.1	1827414297
	230 V	230 V		-10 % / +10 %		3	3.1	1827414298
	110 V	110 V		-10 % / +10 %		2.9	3	1827414299
24 V			-10 % / +10 %		3.25			1827414303
24 V			-10 % / +10 %		3.25			1827414304

Cable length [m]	Compatibility index	Part No.
3	14	1827414297
10	14	1827414298
3	14	1827414299
3	14	1827414303
10	14	1827414304

Dimensions



L = cable length

1) Cable ID band with serial number

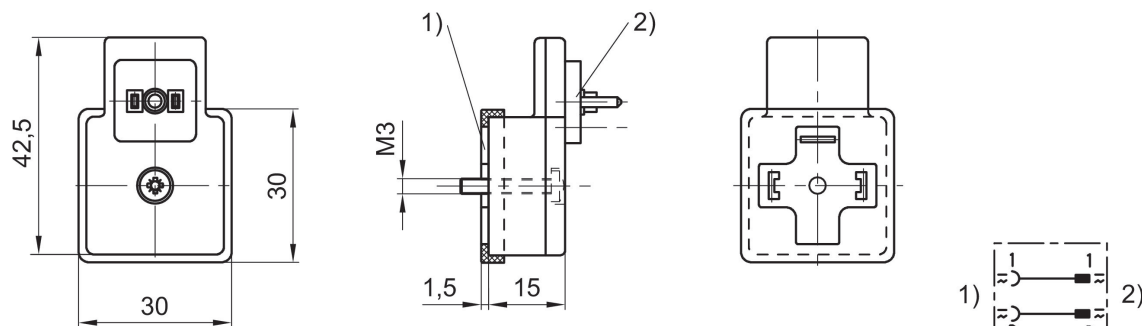
Adapter, Series CON-VP, from form A to form C

Ambient temperature min./max.: -25 °C ... 50 °C



Type	Max. current [A]	Part No.
from form A to form C	0.5	8946053622

Dimensions



- 1) contact as per DIN EN 175301-803, form A
- 2) contact as per DIN EN 175301-803, form C

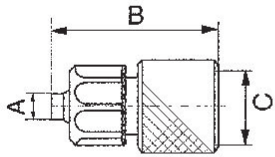
Fittings - Accessories, Series 740



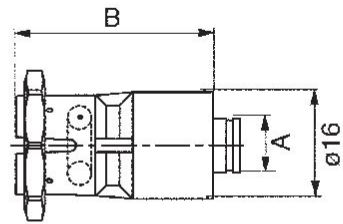
Type	Fig.	Part No.
Reducing fitting Ø 8x1 to Ø 6x incl. O-ring	Fig. 1	8939008500
Reducing fitting Ø 10x1 to Ø 6x1 incl. O-ring	Fig. 1	8939008510
Reducing fitting Ø 10x1 to Ø 8x1 incl. O-ring	Fig. 1	8939008520
Reducing fitting Ø 8x1 to Ø 6x1, push-in incl. O-ring	Fig. 2	8938000910
Reducing fitting Ø 8x1 to Ø 8x1, push-in incl. O-ring	Fig. 2	8938000920
fitting, for port R and S for 8x1	Fig. 1	8939008800
Tubing connector for fabric-reinforced-tubing Ø 8x3, incl. O-Ring	Fig. 3	8931220200
elbow fitting Ø 10x1 to Ø 6x1, incl. O-ring	Fig. 4	8938306520
elbow fitting Ø 10x1 to Ø 8x1, incl. O-ring	Fig. 4	8938306530
elbow fitting Ø 10x1 to Ø 10x1, incl. O-ring	Fig. 4	8938306540
Tube nut Ø 10x1 for silencer	Fig. 7	8919905414

Type	Fig.	Part No.
Silencer	Fig. 8	8993809904
Screw plug, Ø 8x1	Fig. 9	8919905502
Screw plug, Ø 10x1	Fig. 9	8919905512
Adapter, Ø 8x1, G 1/4, incl. O-ring	Fig. 10	8932404100
elbow fitting Ø 8x1 to Ø 6x1, push-in, incl. O-ring	Fig. 5	8938306550
elbow fitting Ø 8x1 to Ø 8x1, push-in, incl. O-ring	Fig. 5	8938306560
Elbow fitting, 2x, plastic tubing Ø 6x1 for supply plate	Fig. 6	8938307900
Elbow fitting, 2x, plastic tubing Ø 8x1 for supply plate	Fig. 6	8938307800
tube nut, Ø 8x1	Fig. 7	8919905404

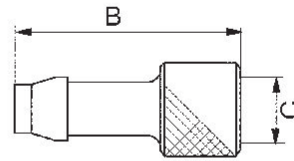
8939008500,
8939008510,
8939008520



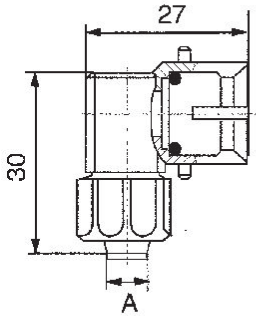
8938000910,
8938000920



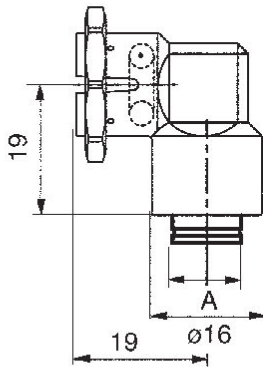
8931220200



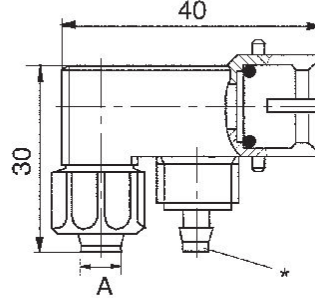
8938306520,
8938306530,
8938306540



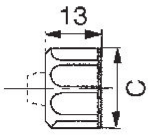
8938306550,
8938306560



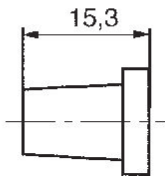
8938307900,
8938307800



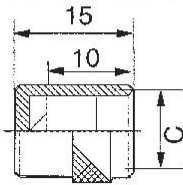
8919905414,
8919905404



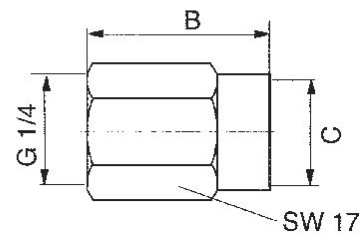
8993809904



8919905502,
8919905512



8932404100



Dimensions

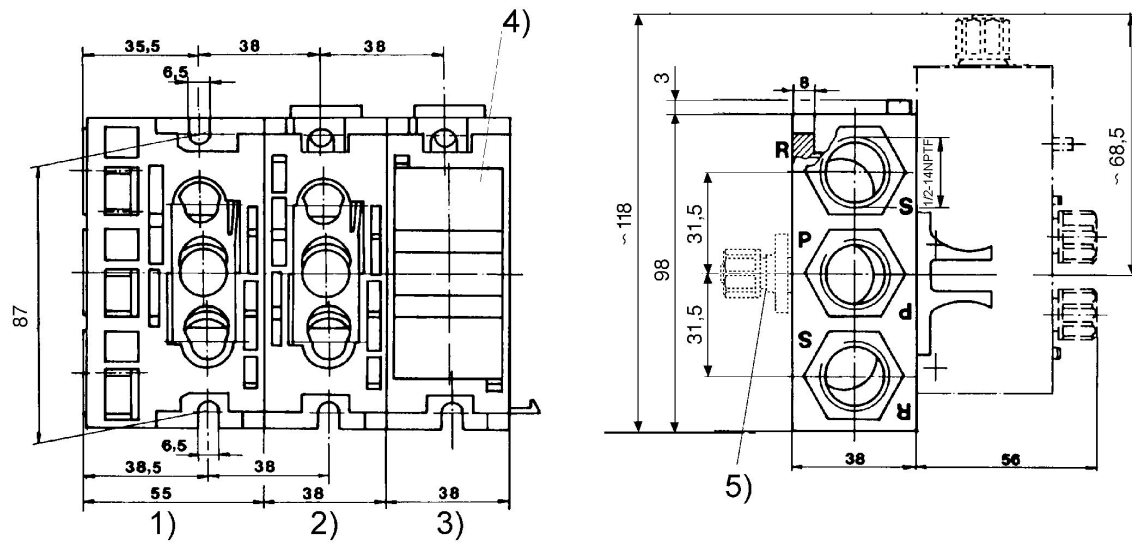
Part No.	Ø A	B	C
8939008500	4	25	M12x1
8939008510	4	26	M14x1
8939008520	6	27	M14x1
8938000910	6	29.5	–
8938000920	8	29.5	–
8939008800	6	24	M14x1
8931220200	8	33	M12x1
8938306520	4	–	–
8938306530	6	–	–
8938306540	8	–	–
8938306550	6	–	–
8938306560	8	–	–
8919905404	–	–	M12x1
8919905414	–	–	M14x1
8993809904	–	–	–
8919905502	–	–	M12x1
8919905512	–	–	M14x1
8932404100	–	27	M12x1
8938307900	4	–	–
8938307800	6	–	–

Subbases and accessories



Type	Min. ambient temperature [°C]	Max. ambient temperature [°C]	Part No.
Supply plate, complete with O-rings	-15	50	8985003902
Supply plate, corrosion-protected, complete with O-rings	-15	50	8985003972
Sandwich plate 740, complete with O-rings.	-15	50	8985003922
End plate	-15	50	8985003912
Dummy flange for reserve places complete with seals	-15	50	5727406012
O-rings for connections 1, 3, and 5 (R = 5: Exhaust, P = 1: Pressure, S = 3: Exhaust)	-15	50	5727400092

Dimensions



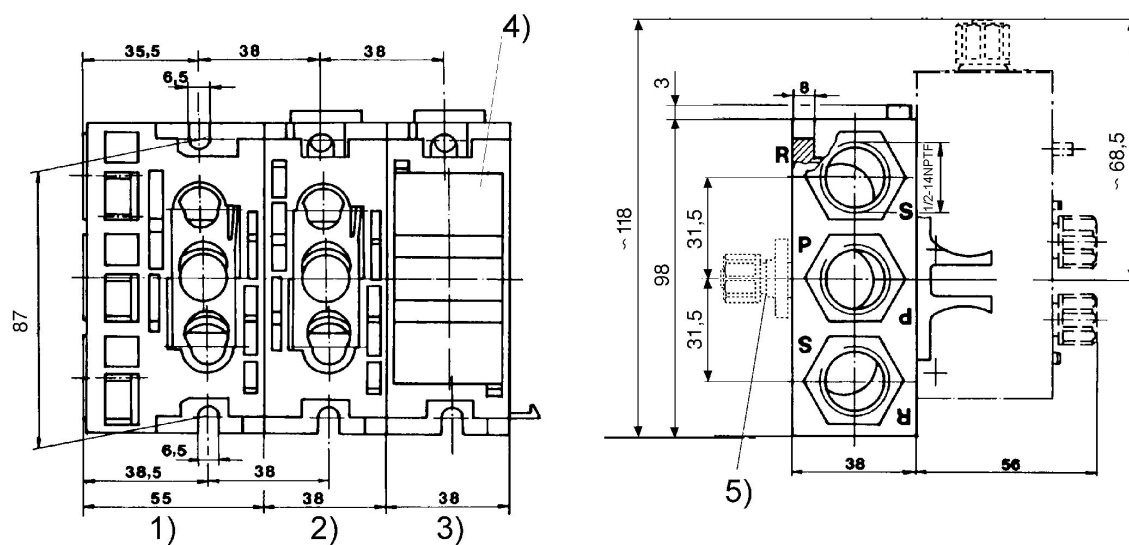
Tightening torque for all screws max. 35 Nm 1) Inlet plate 2) Through plate 3) End plate 4) Dummy flange 5) Adapter for separate air supply

Subbases and accessories



Type	Min. ambient temperature [°C]	Max. ambient temperature [°C]	Part No.
Supply plate, complete with O-rings	-15	50	R432013811
End plate	-15	50	R432013812
Sandwich plate 740, complete with O-rings.	-15	50	R432013813
Dummy flange for reserve places complete with seals	-15	50	R432015511
Individual manifold supply pressure kit – mounts underneath manifold segment (not included in scope of delivery)	-15	50	R432015512
Single sub-base (identical to input segment except rear openings are blocked). Used to manifold mount one valve only.	-15	50	R432015880

Dimensions



Tightening torque for all screws max. 35 Nm 1) Inlet plate 2) Through plate 3) End plate 4) Dummy flange 5) Adapter for separate air supply

P-manifold







Type	Min. ambient temperature [°C]	Max. ambient temperature [°C]	Part No.
Supply plate, complete with O-rings	-15	50	R432015330

Efficient pneumatic solutions, our program:
cylinders and drives, valves and valve systems,
air supply management, proportional pressure
control valves



Visit us: www.Emerson.com/aventics
Your local contact: Emerson.com/contactus

-  Emerson.com
-  Facebook.com/EmersonAutomationSolutions
-  LinkedIn.com/company/Emerson-Automation-Solutions
-  Twitter.com/EMR_Automation



The Emerson logo is a trademark and service mark of Emerson Electric Co. AVENTICS is a registered trademark of one of the Emerson family of companies. All other trademarks are the property of their respective owners. © 2020 Emerson Electric Co. All rights reserved.



CONSIDER IT SOLVED™