

Series QR2



AVENTICS Series QR2 Fittings

AVENTICS Series QR2, push-in connectors with easy, secure mounting are available in many versions: In metal for tubing diameters from 3 to 16 mm. QR2 Series offers a cylindric thread that allows repeated connection and release without problems (Quick Release) and captive O-ring guarantees an optimal sealing. Our QR program offers the right solution for every application and industry.



Product overview

	Page
QR2-S, Standard	
Series QR2-S-RPN standard.....	6
Straight fitting	
Series QR2-S-RPN standard.....	9
Straight fitting	
Series QR2-S-RAI standard.....	12
Straight female stud fitting	
Series QR2-S-RSI standard.....	13
Bulkhead connector	
Series QR2-S-RAS standard.....	15
Push-in connector	
Series QR2-S-RAL standard.....	18
Push-in connector, long	
Series QR2-S-RVT standard.....	21
Elbow fitting rotatable	
Series QR2-S-RVL standard.....	23
Long elbow fitting rotatable	
Series QR2-S-RW1 standard.....	25
Swivel banjo connection 1-fold	
Series QR2-S-RI1 standard.....	27
Swivel banjo connection 1-fold, with hexagon socket rotatable	
Series QR2-S-RI2 standard.....	29
Swivel banjo connection 2-fold, with hexagon socket rotatable	
Series QR2-S-RI3 standard.....	31
Swivel banjo connection 3-fold, with hexagon socket rotatable	
Series QR2-S-RTI standard.....	33
T-union rotatable	
Series QR2-S-RTT standard.....	35
T-banjo connection with hexagon socket rotatable	
Series QR2-S-RTS standard.....	37
T-Banjo connection	
Series QR2-S-RLT standard.....	39
Elbow fitting rotatable	
Series QR2-S-RSM standard.....	41
Bulkhead push-in fitting, metal	
Series QR2-S-RSK standard.....	43
Straight plug connector	
Series QR2-S-RVK standard.....	45
Angled plug connector	
Series QR2-S-RTK standard.....	47
T-plug connector	
Series QR2-S-RYK standard.....	49
Y-Plug connection rotatable	
Series QR2-S-REE standard.....	51
Straight push-in fitting, increasing	
Series QR2-S-RED standard.....	52
Straight push-in fitting, reducing	
Series QR2-S-RVA standard.....	54
Angled plug-in connector	

Product overview

	Page
Series QR2-S-RBS standard.....	56
Blanking plug	
Series QR2-S-RDS standard.....	57
Connection piece	
Series QR2-S-RDS standard.....	58
Union with collar	
Series QR2-S-RH1 standard.....	59
1x banjo bolt	
Series QR2-S-RH2 standard.....	60
2x banjo bolt	
Series QR2-S-RH3 standard.....	61
3x banjo bolt	
Series QR2-S-RV1 standard.....	63
1x banjo union	
Series QR2-S-RT1 standard.....	65
2x banjo union	
QR2-C, Edelstahl	
Series QR2-C-RPN, stainless steel.....	67
Straight fitting	
Series QR2-C-RVT , stainless steel.....	69
Elbow fitting	
Series QR2-C-RH1, stainless steel.....	71
1x banjo bolt	
Series QR2-C-RV1, stainless steel.....	72
1x banjo union	
Series QR2-C-RTT, stainless steel.....	73
T-union	
Series QR2-C-RSK, stainless steel.....	75
Straight plug connector	
Series QR2-C-RSM, stainless steel.....	77
Bulkhead push-in fitting, metal	
Series QR2-C-RSG, stainless steel.....	78
Bulkhead connector with external thread	
Series QR2-C-RVK, stainless steel.....	79
Angled plug connector	
Series QR2-C-RTK, stainless steel.....	81
T-plug connector	
Series QR2-C-RED, stainless steel.....	83
Straight push-in fitting, reducing	
Series QR2-C-RPN, stainless steel.....	84
Straight fitting, conical	
Series QR2-C-RVT , stainless steel.....	86
Elbow fitting, conical	
Series QR2-C-RTT, stainless steel.....	88
T-union, conical	
QR2-F hitzebeständig	
Series QR2-F-RPN Heat-resistant.....	90
Straight fitting	

Product overview

	Page
Series QR2-F-RAI Heat-resistant..... Straight female stud fitting	92
Series QR2-F-RVT Heat-resistant..... Elbow fitting rotatable	93
Series QR2-F-RW1 Heat-resistant..... 1x banjo union	95
Series QR2-F-RSM Heat-resistant..... Bulkhead push-in fitting, metal	96
Series QR2-F-RSK Heat-resistant..... Straight plug connector	97
Series QR2-F-RVK Heat-resistant..... Angled plug connector	98
Series QR2-F-RTK Heat-resistant..... T-plug connector	100
Series QR2-F-RED Heat-resistant..... Straight push-in fitting, reducing	102
Accessories overview	
Release tool.....	103

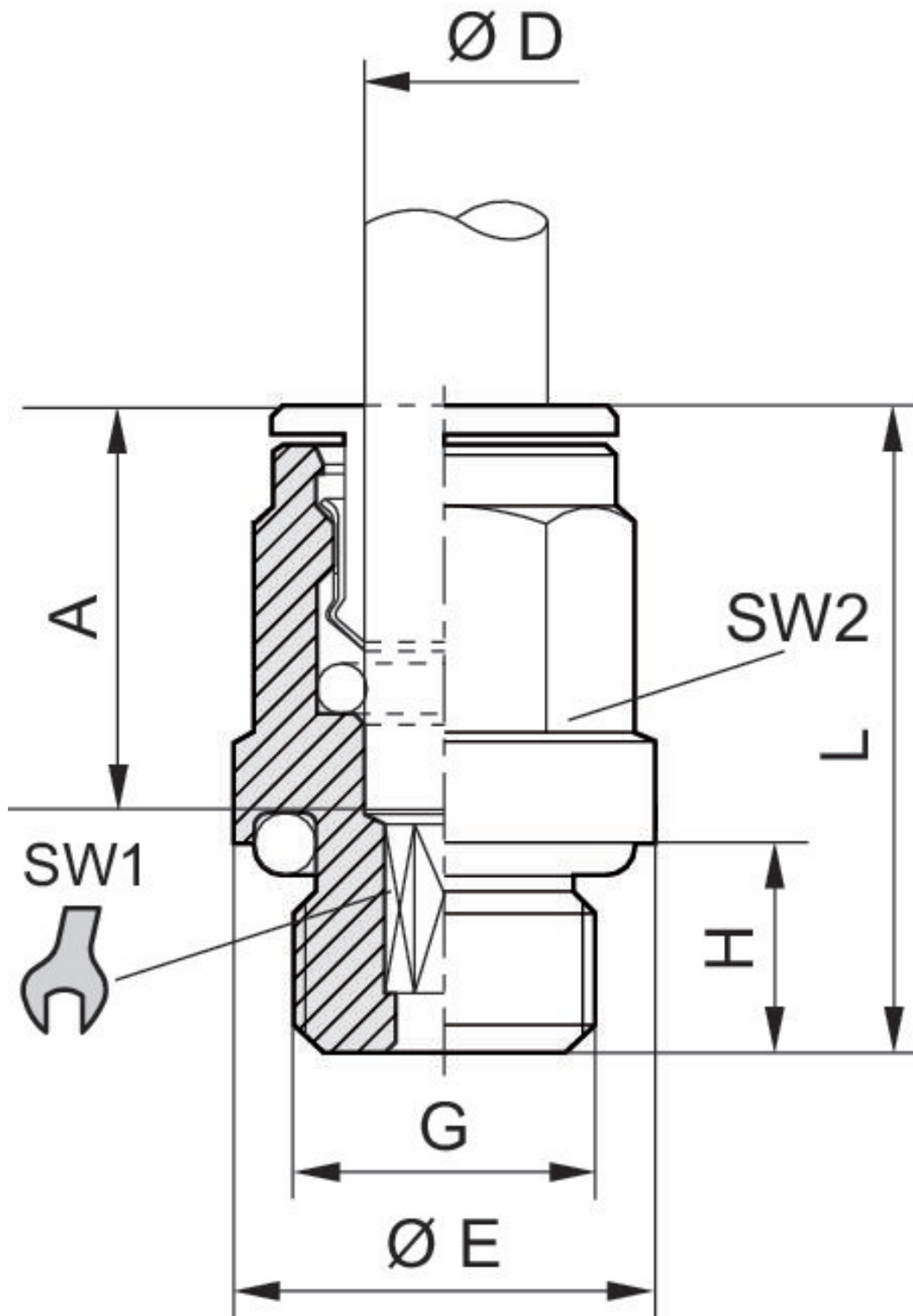
Series QR2-S-RPN standard

Fitting type: Straight fitting
 Compressed air connection type: External thread
 Compressed air connection 2: Push-in fitting
 Ambient temperature min./max.: -20 °C ... 80 °C
 Working pressure min./max.: -0.95 bar ... 16 bar



G	Ø D	Delivery unit [piece]	Material	Part No.
M7	Ø 4	25	Brass	1823373100
G 1/8	Ø 4	25	Brass	1823373041
G 1/8	Ø 5	10	Brass	1823373042
G 1/8	Ø 6	25	Brass	1823373043
G 1/8	Ø 8	25	Brass	1823373044
G 1/4	Ø 4	25	Brass	1823373045
G 1/4	Ø 5	10	Brass	1823373046
G 1/4	Ø 6	25	Brass	1823373047
G 1/4	Ø 8	10	Brass	1823373048
G 1/4	Ø 10	10	Brass	1823373049
G 1/4	Ø 12	10	Brass	1823391809
G 3/8	Ø 8	10	Brass	1823373050
G 3/8	Ø 10	10	Brass	1823373051
G 3/8	Ø 12	5	Brass	1823373052
G 3/8	Ø 14	5	Brass	1823373053
G 1/2	Ø 12	5	Brass	1823373054
G 1/2	Ø 14	5	Brass	1823373055
G 1/2	Ø 16	1	Brass	R412007955

Dimensions



Part No.	Port D	Port G	Ø E	H	L	A Insertion depth	SW 1	SW 2
1823373100	Ø 4	M7	10.8	6	22	15	2.5	9
1823373041	Ø 4	G 1/8	13.5	6	20	15	2.5	9
1823373042	Ø 5	G 1/8	13.5	6	22	16	4	10
1823373043	Ø 6	G 1/8	13.5	6	24	16	4	11
1823373044	Ø 8	G 1/8	13	6	26.5	18	5	13
1823373045	Ø 4	G 1/4	17	8	21	15	2.5	9
1823373046	Ø 5	G 1/4	17	8	22	16	4	10
1823373047	Ø 6	G 1/4	17	8	24	16	4	11
1823373048	Ø 8	G 1/4	17	8	25	18	6	13
1823373049	Ø 10	G 1/4	16	8	29.5	19	7	16
1823391809	Ø 12	G 1/4	16	8	31	20	7	18
1823373050	Ø 8	G 3/8	20	9	25	18	6	13
1823373051	Ø 10	G 3/8	21	9	29.5	19	8	16
1823373052	Ø 12	G 3/8	21	9	31	20	10	18
1823373053	Ø 14	G 3/8	21	9	34	22	10	21
1823373054	Ø 12	G 1/2	24	11	31	20	10	18
1823373055	Ø 14	G 1/2	25	11	34	22	12	21
R412007955	Ø16	G 1/2	24	11	37	24	12	24

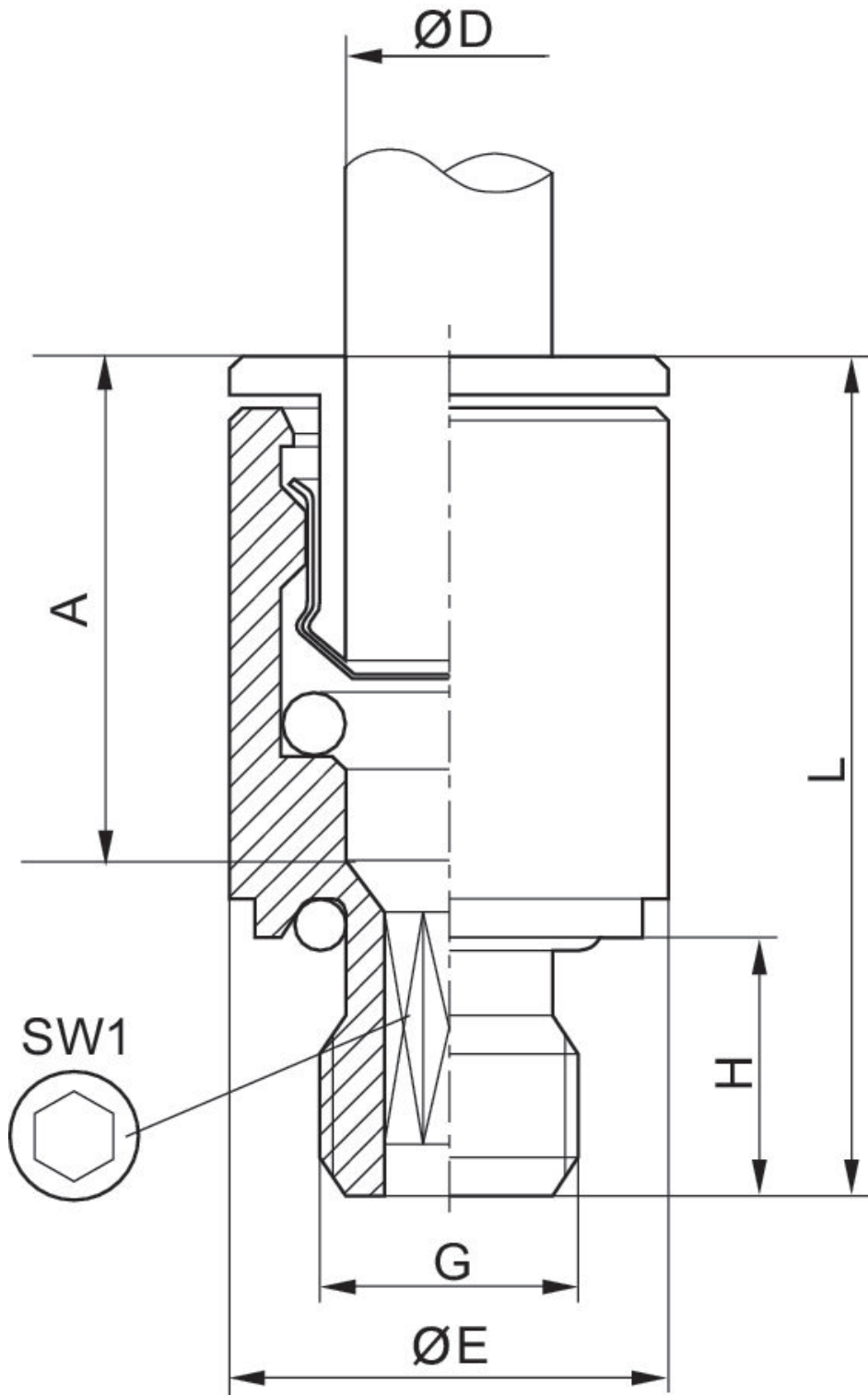
Series QR2-S-RPN standard

Fitting type: Straight fitting
 Compressed air connection type: External thread
 Compressed air connection 2: Push-in fitting
 Ambient temperature min./max.: -20 °C ... 80 °C
 Working pressure min./max.: -0.95 bar ... 16 bar



G	Ø D	Delivery unit [piece]	Material	Part No.
M5	Ø 4	25	Brass	1823373038
M5	Ø 5	10	Brass	1823373039
M5	Ø 6	25	Brass	1823373040
M7	Ø 6	25	Brass	1823373088
G 1/4	Ø 12	10	Brass	R412004708

Dimensions



Part No.	Port D	Port G	Ø E	H	L	A Insertion depth	SW 1	SW 2
1823373038	Ø 4	M5	9	4	20.5	15	2.5	–
1823373039	Ø 5	M5	9.5	4	22	16	2.5	–
1823373040	Ø 6	M5	10.5	4	22	16	2.5	–
1823373100	Ø 4	M7	10.8	6	22	15	2.5	9
1823373088	Ø 6	M7	10.5	6	24	16	3.5	–
1823373041	Ø 4	G 1/8	13.5	6	20	15	2.5	9
1823373042	Ø 5	G 1/8	13.5	6	22	16	4	10
1823373043	Ø 6	G 1/8	13.5	6	24	16	4	11
1823373044	Ø 8	G 1/8	13	6	26.5	18	5	13
1823373045	Ø 4	G 1/4	17	8	21	15	2.5	9
1823373046	Ø 5	G 1/4	17	8	22	16	4	10
1823373047	Ø 6	G 1/4	17	6.5	22.5	16	4	11
1823373048	Ø 8	G 1/4	17	8	25	18	6	13
1823373049	Ø 10	G 1/4	16	8	29.5	19	7	16
1823391809	Ø 12	G 1/4	16	6.5	30	20	7	18
R412004708	Ø 12	G 1/4	17	8.3	31		7	–
1823373050	Ø 8	G 3/8	20	9	25	18	6	13
1823373051	Ø 10	G 3/8	21	9	29.5	19	8	16
1823373052	Ø 12	G 3/8	21	9	31	20	10	18
1823373053	Ø 14	G 3/8	21	9	34	22	10	21
1823373054	Ø 12	G 1/2	24	11	31	20	10	18
1823373055	Ø 14	G 1/2	24	11	34	22	12	21
R412007955	Ø16	G 1/2	24	11	37		12	24

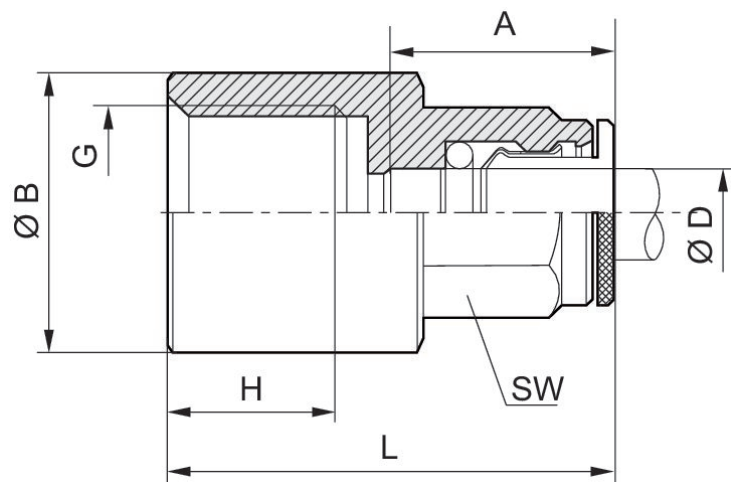
Series QR2-S-RAI standard

Fitting type: Straight female stud fitting
 Compressed air connection type: Internal thread
 Compressed air connection 2: Push-in fitting
 Ambient temperature min./max.: -20 °C ... 80 °C
 Working pressure min./max.: -0.95 bar ... 16 bar



G	Ø D	Delivery unit [piece]	Material	Part No.
G 1/8	Ø 4	10	Brass	1823391643
G 1/8	Ø 5	10	Brass	1823391644
G 1/8	Ø 6	10	Brass	1823391645
G 1/8	Ø 8	10	Brass	1823391646
G 1/4	Ø 4	10	Brass	1823391647
G 1/4	Ø 6	10	Brass	1823391649
G 1/4	Ø 8	10	Brass	1823391650

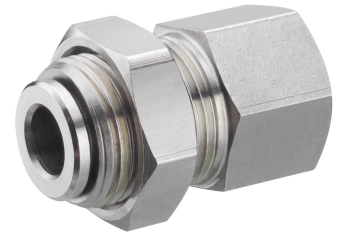
Dimensions



Part No.	Port D	Port G	Ø B	H	L	A Insertion depth	SW
1823391643	Ø 4	G 1/8	11	6	26.5	15	9
1823391644	Ø 5	G 1/8	12	6	27	16	10
1823391645	Ø 6	G 1/8	11	6	27	16	11
1823391646	Ø 8	G 1/8	11	6	28	18	13
1823391647	Ø 4	G 1/4	17	9	29.5	15	9
1823391649	Ø 6	G 1/4	17	11	31	16	11
1823391650	Ø 8	G 1/4	17	13	32	18	13

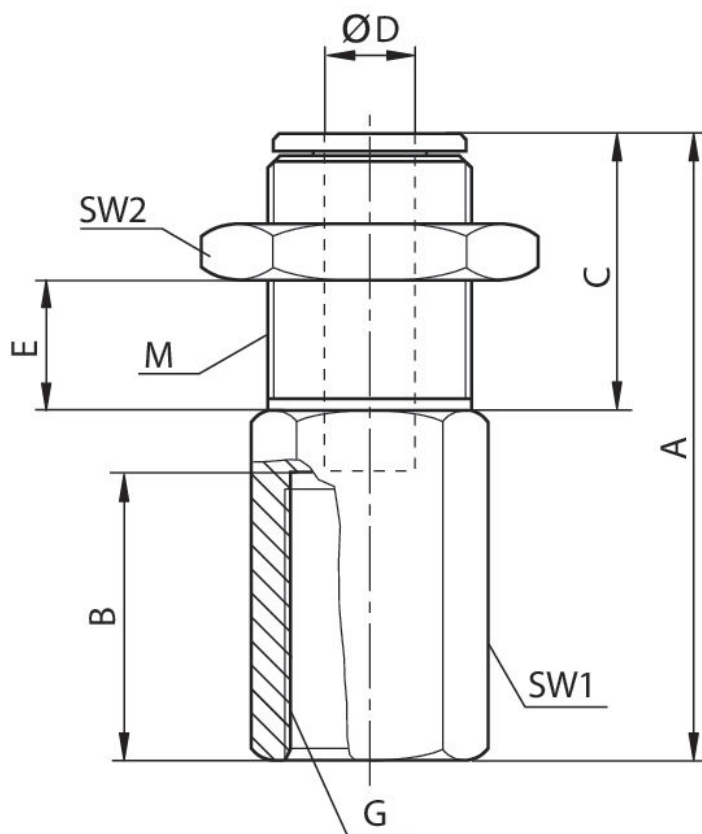
Series QR2-S-RSI standard

Fitting type: Bulkhead connector
 Compressed air connection type: Internal thread
 Compressed air connection 2: Push-in fitting
 Ambient temperature min./max.: -20 °C ... 80 °C
 Working pressure min./max.: -0.95 bar ... 16 bar



G	Ø D	Delivery unit [piece]	Material	Part No.
G 1/8	Ø 4	10	Brass	1823391757
G 1/8	Ø 6	10	Brass	1823391758
G 1/4	Ø 6	10	Brass	1823391759
G 1/8	Ø 8	10	Brass	1823391760
G 1/4	Ø 8	10	Brass	1823391761

Dimensions



Part No.	Port D	Port G	M	A	B	C	E ± 2 max.	SW1	SW2
1823391757	$\text{Ø } 4$	G 1/8	M10x1	25	8.5	15	9.5	15	13
1823391758	$\text{Ø } 6$	G 1/8	M14x1	26	8.5	15	9.5	17	17
1823391759	$\text{Ø } 6$	G 1/4	M14x1	30.5	13	15	9.5	17	17
1823391760	$\text{Ø } 8$	G 1/8	M16x1	28	8.5	15	9.5	17	19
1823391761	$\text{Ø } 8$	G 1/4	M16x1	33	13	15	9.5	17	19

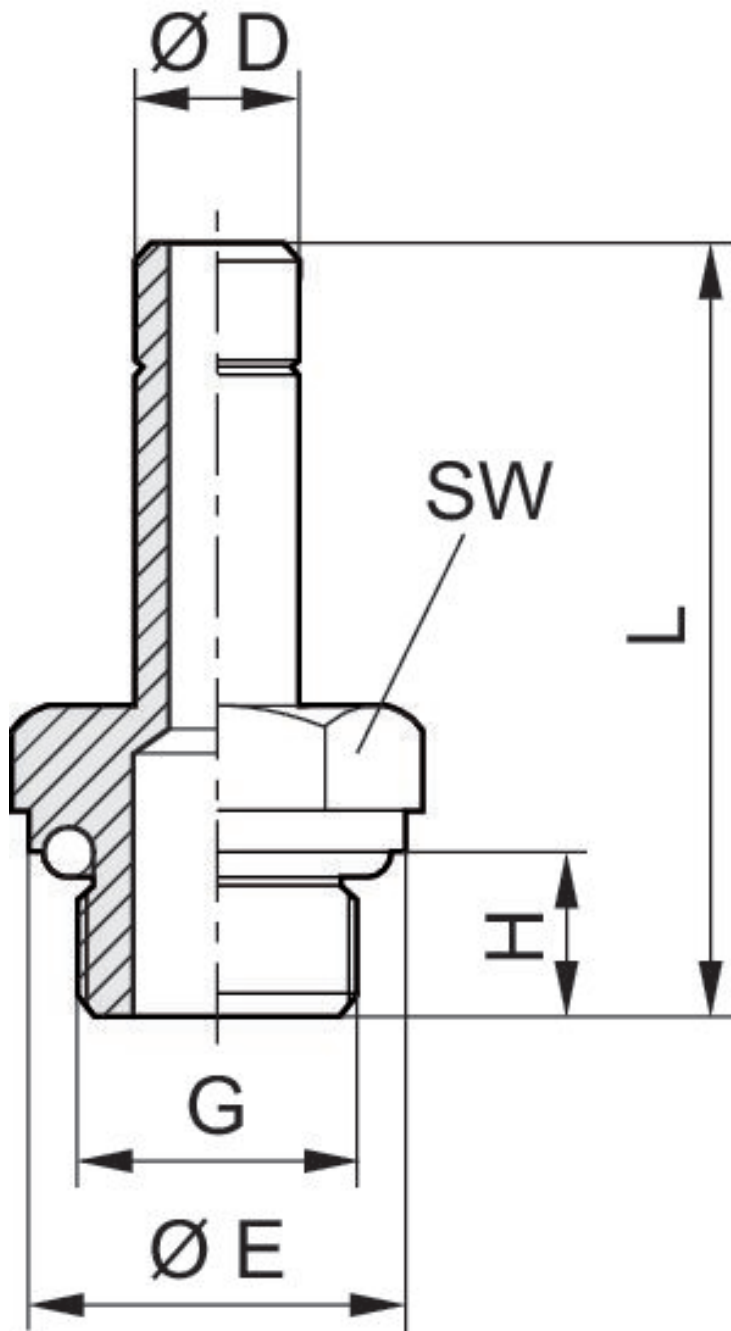
Series QR2-S-RAS standard

Fitting type: Push-in connector
 Compressed air connection type: External thread
 Compressed air connection 2: pin bushing
 Ambient temperature min./max.: -20 °C ... 80 °C
 Working pressure min./max.: -0.95 bar ... 16 bar



G	Ø D	Delivery unit [piece]	Material	Part No.
M5	Ø 4	25	Brass	1823373056
M5	Ø 5	25	Brass	1823373057
M5	Ø 6	25	Brass	1823373058
G 1/8	Ø 4	25	Brass	1823373059
G 1/8	Ø 5	25	Brass	1823373060
G 1/8	Ø 6	25	Brass	1823373061
G 1/8	Ø 8	25	Brass	1823373062
G 1/4	Ø 4	25	Brass	1823373063
G 1/4	Ø 5	25	Brass	1823373064
G 1/4	Ø 6	25	Brass	1823373065
G 1/4	Ø 8	25	Brass	1823373066
G 1/4	Ø 10	10	Brass	1823373067
G 1/4	Ø 12	10	Brass	1823391810
G 3/8	Ø 8	10	Brass	1823373068
G 3/8	Ø 10	10	Brass	1823373069
G 3/8	Ø 12	10	Brass	1823373070
G 3/8	Ø 14	10	Brass	1823373071
G 1/2	Ø 12	10	Brass	1823373072
G 1/2	Ø 14	10	Brass	1823373073

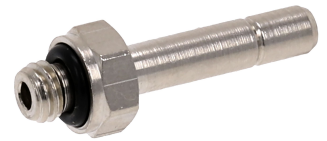
Dimensions



Part No.	Port D	Port G	Ø E	H	L	SW
1823373056	Ø 4	M5	8	4	24.5	8
1823373057	Ø 5	M5	8	4	25	8
1823373058	Ø 6	M5	8	4	26	8
1823373059	Ø 4	G 1/8	13	6	27.7	13
1823373060	Ø 5	G 1/8	13	6	28	13
1823373061	Ø 6	G 1/8	13	6	29.5	13
1823373062	Ø 8	G 1/8	13	6	31	13
1823373063	Ø 4	G 1/4	16	8	30.2	13
1823373064	Ø 5	G 1/4	16	8	31	13
1823373065	Ø 6	G 1/4	16	8	32	13
1823373066	Ø 8	G 1/4	16	8	33.5	13
1823373067	Ø 10	G 1/4	16	8	38	13
1823391810	Ø 12	G 1/4	16	8	39	13
1823373068	Ø 8	G 3/8	20	9	35.5	13
1823373069	Ø 10	G 3/8	20	9	41	13
1823373070	Ø 12	G 3/8	20	9	42	13
1823373071	Ø 14	G 3/8	20	9	44	16
1823373072	Ø 12	G 1/2	24	11	44	16
1823373073	Ø 14	G 1/2	24	11	46	16

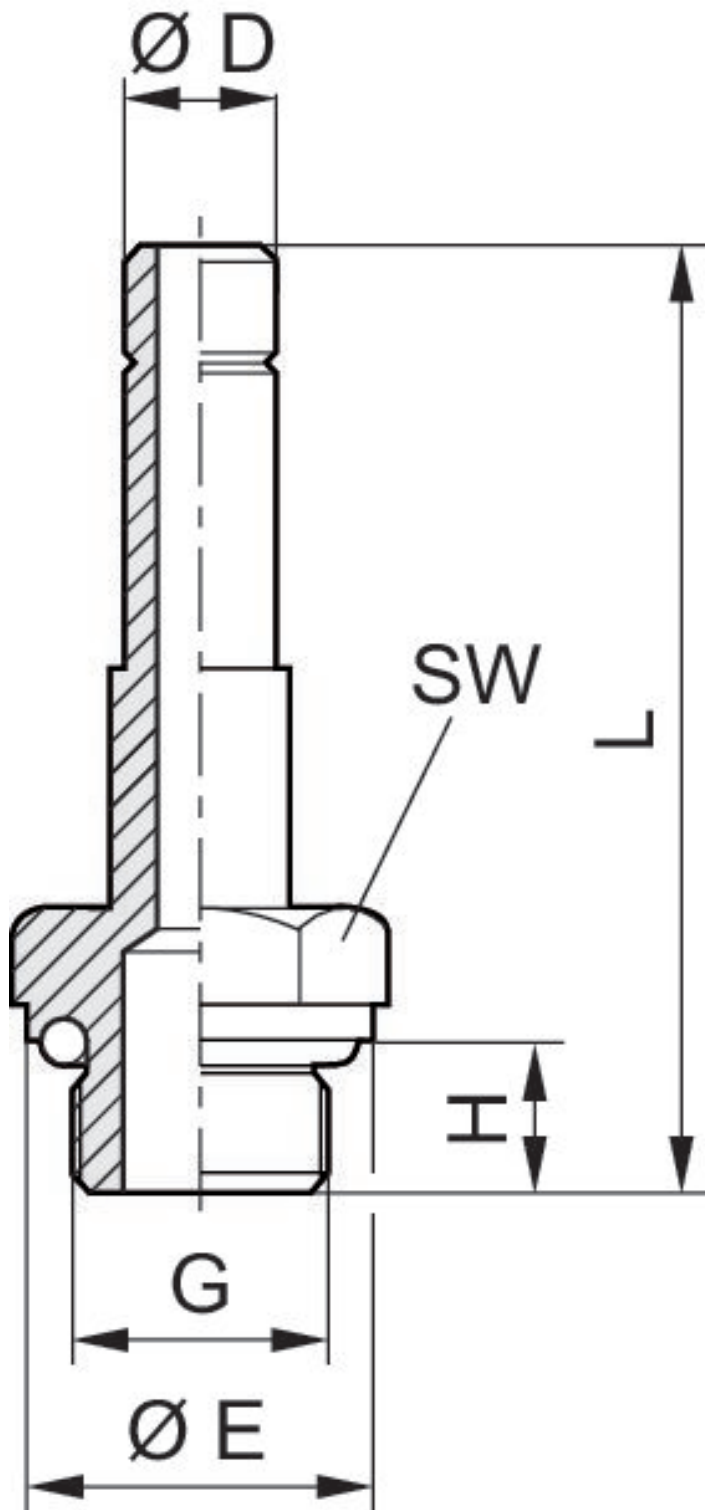
Series QR2-S-RAL standard

Fitting type: Push-in connector, long
 Compressed air connection type: External thread
 Compressed air connection 2: pin bushing
 Ambient temperature min./max.: -20 °C ... 80 °C
 Working pressure min./max.: -0.95 bar ... 16 bar



G	Ø D	Delivery unit [piece]	Material	Part No.
M7	Ø 4	10	Brass	1823391887
M7	Ø 6	10	Brass	1823391888
G 1/8	Ø 4	25	Brass	1823373074
G 1/8	Ø 6	25	Brass	1823373075
G 1/8	Ø 8	10	Brass	1823373076
G 1/4	Ø 6	10	Brass	1823373077
G 1/4	Ø 8	10	Brass	1823373078

Dimensions



Part No.	Port D	Port G	L	H	Ø E	SW
1823391887	Ø 4	M7	38	6	–	10
1823391888	Ø 6	M7	42	6	–	10
1823373074	Ø 4	G 1/8	39.7	6	13	13
1823373075	Ø 6	G 1/8	43.5	6	13	13
1823373076	Ø 8	G 1/8	47.5	6	13	13
1823373077	Ø 6	G 1/4	46	8	16	13
1823373078	Ø 8	G 1/4	49.7	8	16	13

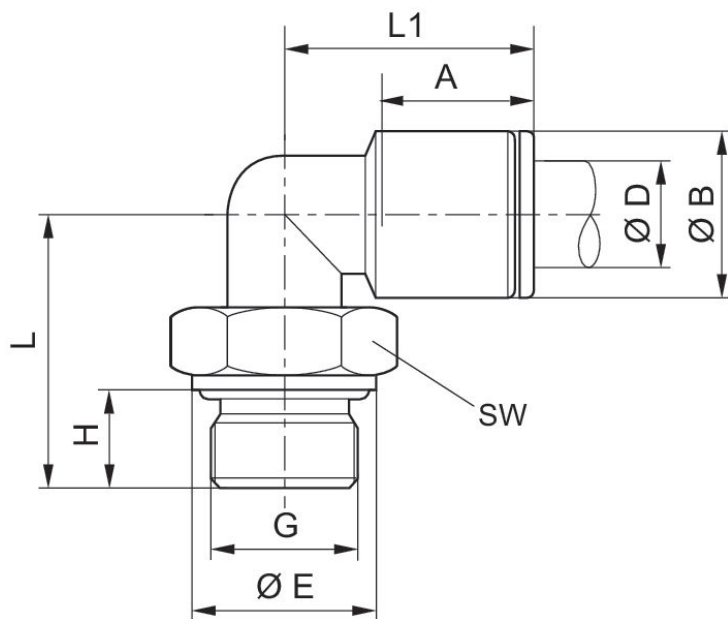
Series QR2-S-RVT standard

Fitting type: Elbow fitting, rotatable
 Compressed air connection type: External thread
 Compressed air connection 2: Push-in fitting
 Ambient temperature min./max.: -20 °C ... 80 °C
 Working pressure min./max.: -0.95 bar ... 16 bar



G	Ø D	Delivery unit [piece]	Material	Part No.
M5	Ø 4	10	Brass	1823391709
M5	Ø 6	10	Brass	1823391889
M7	Ø 4	10	Brass	1823391885
M7	Ø 6	10	Brass	1823391886
G 1/8	Ø 4	10	Brass	1823391710
G 1/8	Ø 6	10	Brass	1823391711
G 1/8	Ø 8	10	Brass	1823391712
G 1/8	Ø 10	5	Brass	R412007687
G 1/4	Ø 4	10	Brass	1823391713
G 1/4	Ø 6	10	Brass	1823391714
G 1/4	Ø 8	10	Brass	1823391715
G 1/4	Ø 10	5	Brass	1823391718
G 1/4	Ø 12	5	Brass	1823391843
G 3/8	Ø 8	5	Brass	1823391716
G 3/8	Ø 10	5	Brass	1823391717
G 3/8	Ø 12	5	Brass	1823391838
G 3/8	Ø 14	5	Brass	1823391839
G 3/8	Ø16	1	Brass	R412010182
G 1/2	Ø 10	5	Brass	R412007589
G 1/2	Ø 12	5	Brass	1823391840
G 1/2	Ø 14	5	Brass	1823391841
G 1/2	Ø16	1	Brass	R412007956

Dimensions



Part No.	Port D	Port G	ØB	ØE	H	L	L1	A Insertion depth	SW
1823391709	Ø 4	M5	9	8	4	14.5	19	14	9
1823391889	Ø 6	M5	11	8	4	14.5	21	16	9
1823391885	Ø 4	M7	9	10	6	16.5	18	14	9
1823391886	Ø 6	M7	11	10	6	16.5	19.5	16	9
1823391710	Ø 4	G 1/8	9	13	6	20	19	15	13
1823391711	Ø 6	G 1/8	11	13	6	20	21	16	13
1823391712	Ø 8	G 1/8	13	13	6	20	24	18	13
R412007687	Ø 10	G 1/8	15	13	6	24	27	19	13
1823391713	Ø 4	G 1/4	9	16	8	24	19	15	13
1823391714	Ø 6	G 1/4	11	16	8	24	21	16	13
1823391715	Ø 8	G 1/4	13	16	8	24	24	18	13
1823391718	Ø 10	G 1/4	15	16	8	24	27	19	16
1823391843	Ø 12	G 1/4	17	16	8	30.5	29	20	16
1823391716	Ø 8	G 3/8	13	20	9	25.5	24	18	13
1823391717	Ø 10	G 3/8	15	20	9	28	27	19	16
1823391838	Ø 12	G 3/8	17	20	9	28.5	28	20	20
1823391839	Ø 14	G 3/8	20	20	9	28.5	31	22	20
R412010182	Ø16	G 3/8	23	20	9	33.5	33	23.5	20
R412007589	Ø 10	G 1/2	15	25	11	30	27	19	16
1823391840	Ø 12	G 1/2	17	25	11	33.5	28	20	20
1823391841	Ø 14	G 1/2	20	25	11	33.5	31	22	20
R412007956	Ø16	G 1/2	23	25	11	38	33	23.5	20

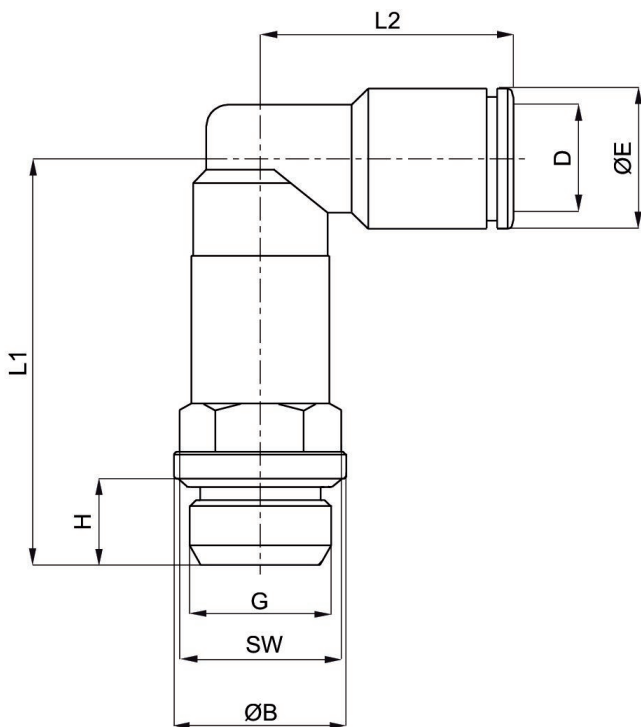
Series QR2-S-RVL standard

Fitting type: Long elbow fitting, rotatable
 Compressed air connection type: External thread
 Compressed air connection 2: Push-in fitting
 Ambient temperature min./max.: -20 °C ... 80 °C
 Working pressure min./max.: -0.95 bar ... 16 bar



G	Ø D	Delivery unit [piece]	Material	Part No.
G 1/8	Ø 4	10	Brass	R412010270
G 1/8	Ø 6	10	Brass	R412010271
G 1/8	Ø 8	10	Brass	R412010272
G 1/4	Ø 6	10	Brass	R412010273
G 1/4	Ø 8	10	Brass	R412010274
G 1/4	Ø 10	10	Brass	R412010275

Dimensions



Part No.	Port D	Port G	ØB	ØE	H	L1	L2	SW
R412010270	Ø 4	G 1/8	13	9	6	33	20	13
R412010271	Ø 6	G 1/8	13	11	6	33	21.5	13
R412010272	Ø 8	G 1/8	13	13	6	33	23.5	13
R412010273	Ø 6	G 1/4	16	11	8	37.7	21.5	13
R412010274	Ø 8	G 1/4	16	13	8	37.7	23.5	13
R412010275	Ø 10	G 1/4	16	15	8	40	26,5	16

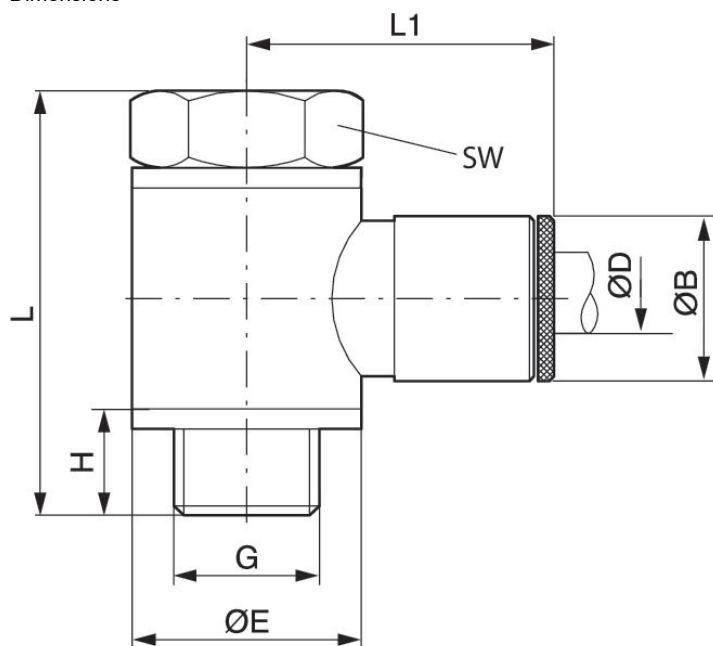
Series QR2-S-RW1 standard

Fitting type: Swivel banjo connection 1-fold
 Compressed air connection type: External thread
 Compressed air connection 2: Push-in fitting
 Ambient temperature min./max.: -20 °C ... 80 °C
 Working pressure min./max.: -0.95 bar ... 16 bar



G	Ø D	Delivery unit [piece]	Material	Part No.
M5	Ø 4	10	Brass	1823391549
M5	Ø 5	10	Brass	1823391550
M5	Ø 6	10	Brass	1823391905
G 1/8	Ø 4	10	Brass	1823391551
G 1/8	Ø 5	10	Brass	1823391552
G 1/8	Ø 6	10	Brass	1823391553
G 1/8	Ø 8	10	Brass	1823391554
G 1/4	Ø 6	10	Brass	1823391556
G 1/4	Ø 8	10	Brass	1823391557
G 1/4	Ø 10	5	Brass	1823391558
G 3/8	Ø 8	5	Brass	1823391559
G 3/8	Ø 10	5	Brass	1823391560
G 3/8	Ø 12	5	Brass	1823391561

Dimensions



Part No.	Port D	Port G	L	L1	H	Ø B	Ø E	SW
1823391549	Ø 4	M5	17.5	18.5	4.5	9	7	8
1823391550	Ø 5	M5	17.5	19.5	4.5	10	7	8
1823391905	Ø 6	M5	19	19	4.5	10.5	10	8
1823391551	Ø 4	G 1/8	28	21	7.5	9	14	14
1823391552	Ø 5	G 1/8	28	22.5	7.5	10	14	14
1823391553	Ø 6	G 1/8	28	22.5	7.5	11	14	14
1823391554	Ø 8	G 1/8	28	24.5	7.5	13	14	14
1823391556	Ø 6	G 1/4	33	24	9	11	18	17
1823391557	Ø 8	G 1/4	33	26	9	13	18	17
1823391558	Ø 10	G 1/4	33	27	9	15	18	17
1823391559	Ø 8	G 3/8	36	28	9	13	21	19
1823391560	Ø 10	G 3/8	36	29	9	15	21	19
1823391561	Ø 12	G 3/8	36	30	9	17	21	19

Series QR2-S-RI1 standard

Fitting type: Swivel banjo connection 1-fold, with hexagon socket, rotatable

Compressed air connection type: External thread

Compressed air connection 2: Push-in fitting

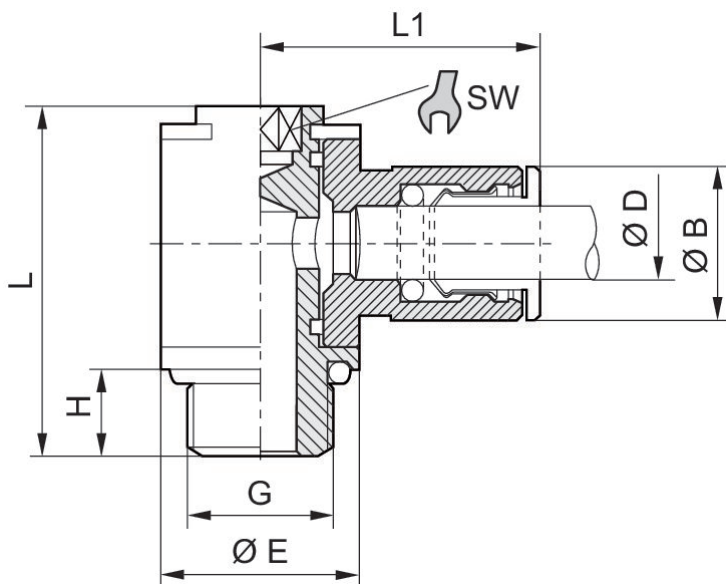
Ambient temperature min./max.: -20 °C ... 80 °C

Working pressure min./max.: -0.95 bar ... 16 bar



G	Ø D	Delivery unit [piece]	Material	Part No.
M5	Ø 4	10	Brass	1823391652
M5	Ø 5	10	Brass	1823391653
G 1/8	Ø 4	10	Brass	1823391654
G 1/8	Ø 5	10	Brass	1823391655
G 1/8	Ø 6	10	Brass	1823391656
G 1/8	Ø 8	10	Brass	1823391657
G 1/4	Ø 6	10	Brass	1823391658
G 1/4	Ø 8	10	Brass	1823391659
G 1/4	Ø 10	10	Brass	1823391660
G 1/4	Ø 12	10	Brass	1823391927
G 3/8	Ø 8	2	Brass	1823391897
G 3/8	Ø 10	2	Brass	1823391898
G 3/8	Ø 12	2	Brass	1823391899

Dimensions



Part No.	Port D	Port G	Ø B	Ø E	H	L	L1	SW
1823391652	Ø 4	M5	9	8	4	17	18.5	2
1823391653	Ø 5	M5	10	8	4	17	19.5	2
1823391654	Ø 4	G 1/8	9	14	6	25	21	3
1823391655	Ø 5	G 1/8	10	14	6	25	22.5	3
1823391656	Ø 6	G 1/8	11	14	6	25	23	3
1823391657	Ø 8	G 1/8	13	14	6	25	24.5	3
1823391658	Ø 6	G 1/4	11	18	8	29.3	24	4
1823391659	Ø 8	G 1/4	13	18	8	29.3	26	4
1823391660	Ø 10	G 1/4	15	18	8	29.3	27	4
1823391927	Ø 12	G 1/4	17	18	8	29.3	28	4
1823391897	Ø 8	G 3/8	13	21	9	34	28	5
1823391898	Ø 10	G 3/8	15	21	9	34	29	5
1823391899	Ø 12	G 3/8	17	21	9	34	30	5

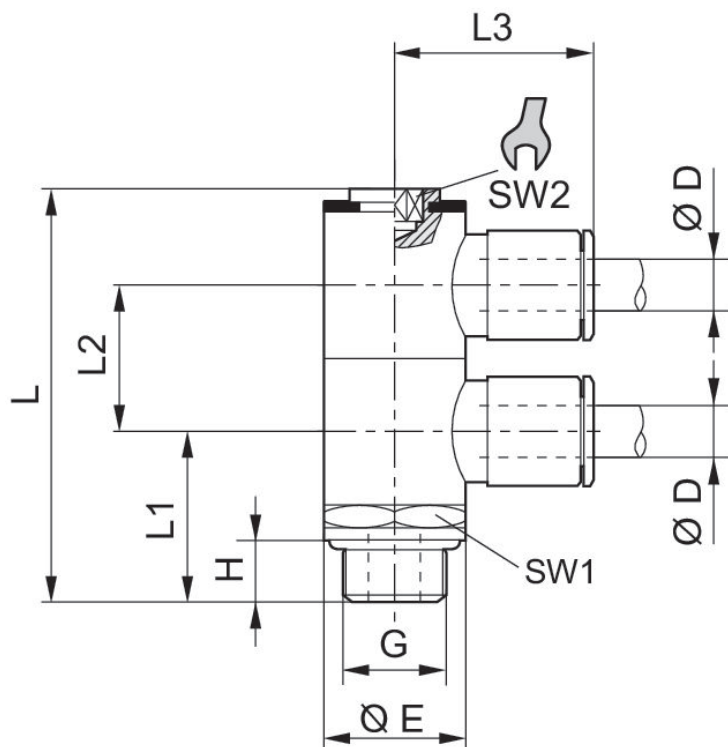
Series QR2-S-RI2 standard

Fitting type: Swivel banjo connection 2-fold, with hexagon socket, rotatable
 Compressed air connection type: External thread
 Compressed air connection 2: Push-in fitting
 Ambient temperature min./max.: -20 °C ... 80 °C
 Working pressure min./max.: -0.95 bar ... 16 bar



G	Ø D	Delivery unit [piece]	Material	Part No.
G 1/8	Ø 4	10	Brass	1823391913
G 1/8	Ø 6	10	Brass	1823391914
G 1/8	Ø 8	10	Brass	1823391915
G 1/4	Ø 6	10	Brass	1823391916
G 1/4	Ø 8	10	Brass	1823391917
G 1/4	Ø 10	10	Brass	1823391918
G 1/4	Ø 12	10	Brass	1823391919

Dimensions



Part No.	Port D	Port G	Ø E	H	L	L1	L2	L3	SW 1
1823391913	4	G 1/8	13	6	44	19.1	15	21	14
1823391914	6	G 1/8	13	6	44	19.1	15	23	14
1823391915	8	G 1/8	13	6	44	19.1	15	24.5	14
1823391916	6	G 1/4	17	8	50	22.5	17	24	17
1823391917	8	G 1/4	17	8	50	22.5	17	26	17
1823391918	10	G 1/4	17	8	50	22.5	17	27	17
1823391919	12	G 1/4	17	8	50	22.5	17	28	17

Part No.	SW 2
1823391913	3
1823391914	3
1823391915	3
1823391916	4
1823391917	4
1823391918	4
1823391919	4

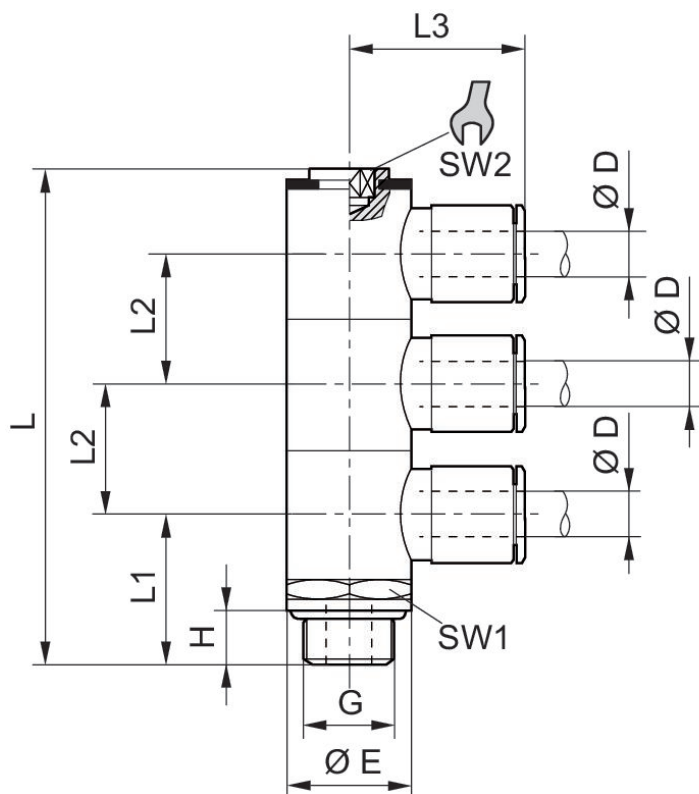
Series QR2-S-RI3 standard

Fitting type: Swivel banjo connection 3-fold, with hexagon socket, rotatable
 Compressed air connection type: External thread
 Compressed air connection 2: Push-in fitting
 Ambient temperature min./max.: -20 °C ... 80 °C
 Working pressure min./max.: -0.95 bar ... 16 bar



G	Ø D	Delivery unit [piece]	Material	Part No.
G 1/8	Ø 4	10	Brass	1823391920
G 1/8	Ø 6	10	Brass	1823391921
G 1/8	Ø 8	10	Brass	1823391922
G 1/4	Ø 6	10	Brass	1823391923
G 1/4	Ø 8	10	Brass	1823391924
G 1/4	Ø 10	10	Brass	1823391925
G 1/4	Ø 12	10	Brass	1823391926

Dimensions



Part No.	Port D	Port G	$\varnothing E$	H	L	L1	L2	L3	SW1
1823391920	$\varnothing 4$	G 1/8	13	6	59	19.1	15	21	14
1823391921	$\varnothing 6$	G 1/8	13	6	59	19.1	15	23	14
1823391922	$\varnothing 8$	G 1/8	13	6	59	19.1	15	24.5	14
1823391923	$\varnothing 6$	G 1/4	17	8	67	22.5	17	24	17
1823391924	$\varnothing 8$	G 1/4	17	8	67	22.5	17	26	17
1823391925	$\varnothing 10$	G 1/4	17	8	67	22.5	17	27	17
1823391926	$\varnothing 12$	G 1/4	17	8	67	22.5	17	28	17

Part No.	SW2
1823391920	3
1823391921	3
1823391922	3
1823391923	4
1823391924	4
1823391925	4
1823391926	4

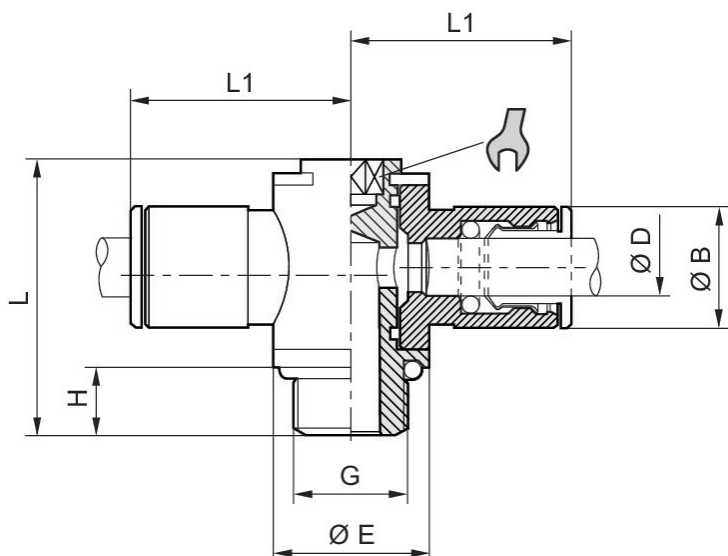
Series QR2-S-RTI standard

Fitting type: T-union, rotatable
 Compressed air connection type: External thread
 Compressed air connection 2: Push-in fitting
 Ambient temperature min./max.: -20 °C ... 80 °C
 Working pressure min./max.: -0.95 bar ... 16 bar



G	Ø D	Delivery unit [piece]	Material	Part No.
M5	Ø 4	10	Brass	1823391661
M5	Ø 5	10	Brass	1823391662
G 1/8	Ø 4	10	Brass	1823391663
G 1/8	Ø 5	10	Brass	1823391664
G 1/8	Ø 6	10	Brass	1823391665
G 1/8	Ø 8	10	Brass	1823391666
G 1/4	Ø 6	10	Brass	1823391667
G 1/4	Ø 8	10	Brass	1823391668
G 1/4	Ø 10	10	Brass	1823391669
G 3/8	Ø 8	2	Brass	1823391900
G 3/8	Ø 10	2	Brass	1823391901
G 3/8	Ø 12	2	Brass	1823391902

Dimensions



Part No.	Port D	Port G	L	L1	H	Ø B	Ø E	SW
1823391661	Ø 4	M5	17	18.5	4	9	8	2
1823391662	Ø 5	M5	17	19.5	4	10	8	2
1823391663	Ø 4	G 1/8	25	21	6	9	14	3
1823391664	Ø 5	G 1/8	25	22.5	6	10	14	3
1823391665	Ø 6	G 1/8	25	23	6	11	14	3
1823391666	Ø 8	G 1/8	25	24.5	6	13	14	3
1823391667	Ø 6	G 1/4	29.3	24	8	11	18	4
1823391668	Ø 8	G 1/4	29.3	26	8	13	18	4
1823391669	Ø 10	G 1/4	29.3	27	8	15	18	4
1823391900	Ø 8	G 3/8	34	28	9	13	21	5
1823391901	Ø 10	G 3/8	34	29	9	15	21	5
1823391902	Ø 12	G 3/8	34	29	9	17	21	5

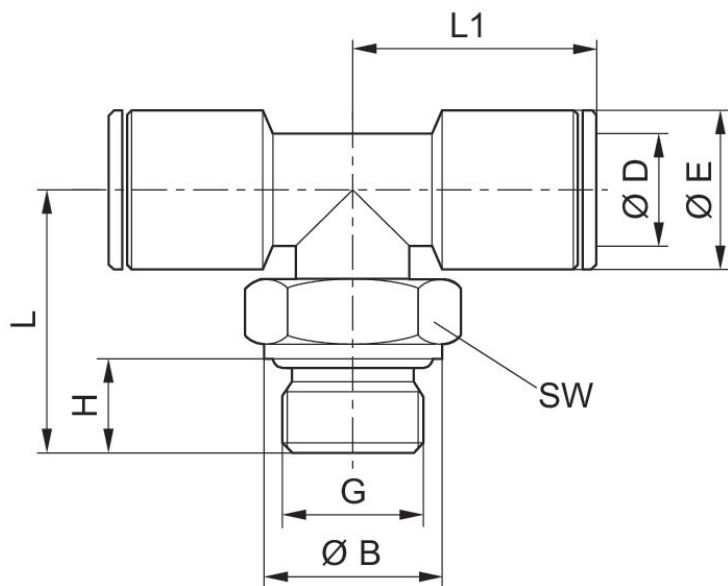
Series QR2-S-RTT standard

Fitting type: T-banjo connection with hexagon socket, rotatable
 Compressed air connection type: External thread
 Compressed air connection 2: Push-in fitting
 Ambient temperature min./max.: -20 °C ... 80 °C
 Working pressure min./max.: -0.95 bar ... 16 bar



G	Ø D	Delivery unit [piece]	Material	Part No.
M5	Ø 4	25	Brass	1823391812
G 1/8	Ø 4	25	Brass	1823391813
G 1/8	Ø 6	25	Brass	1823391814
G 1/8	Ø 8	25	Brass	1823391815
G 1/4	Ø 4	25	Brass	1823391816
G 1/4	Ø 6	25	Brass	1823391817
G 1/4	Ø 8	10	Brass	1823391818
G 1/4	Ø 10	10	Brass	1823391819
G 1/4	Ø 12	10	Brass	1823391823
G 3/8	Ø 8	10	Brass	1823391820
G 3/8	Ø 10	10	Brass	1823391821
G 3/8	Ø 12	5	Brass	1823391822
G 1/2	Ø 14	5	Brass	1823391824

Dimensions



Part No.	Port D	Port G	Ø B	Ø E	H	L	L1	SW
1823391812	Ø 4	M5	8	9	4	16.5	19	9
1823391813	Ø 4	G 1/8	12.8	9	5.8	18.5	17.5	13
1823391814	Ø 6	G 1/8	13	11	6	20	21	13
1823391815	Ø 8	G 1/8	13	13	6	20	23	13
1823391816	Ø 4	G 1/4	12.8	9	8	22.5	19	13
1823391817	Ø 6	G 1/4	16	11	8	24	21	13
1823391818	Ø 8	G 1/4	16	13	8	24	23	13
1823391819	Ø 10	G 1/4	15.8	15	8	24.5	25	16
1823391823	Ø 12	G 1/4	16	17	8	28.5	28	16
1823391820	Ø 8	G 3/8	20	13	9	25.5	24	18
1823391821	Ø 10	G 3/8	20	15	9	28	26	16
1823391822	Ø 12	G 3/8	20	17	9	26.5	27	18
1823391824	Ø 14	G 1/2	25	20	11	33.5	31	20

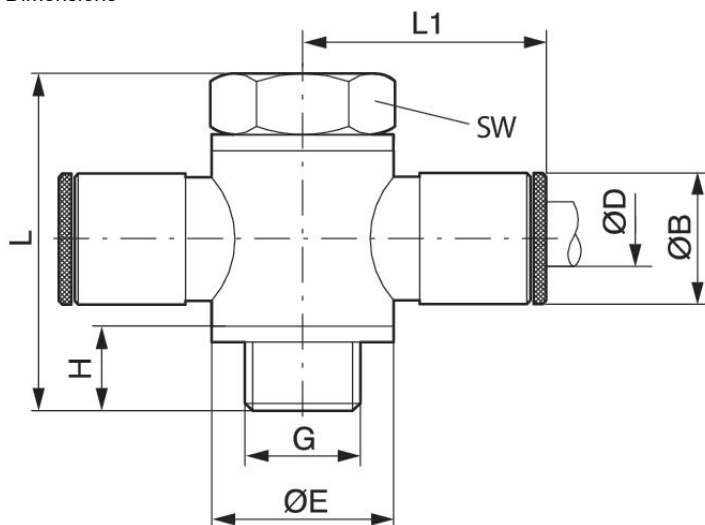
Series QR2-S-RTS standard

Fitting type: T-Banjo connection
 Compressed air connection type: External thread
 Compressed air connection 2: Push-in fitting
 Ambient temperature min./max.: -20 °C ... 80 °C
 Working pressure min./max.: -0.95 bar ... 16 bar



G	Ø D	Delivery unit [piece]	Material	Part No.
M5	Ø 4	10	Brass	1823391562
M5	Ø 5	10	Brass	1823391563
G 1/8	Ø 4	10	Brass	1823391564
G 1/8	Ø 5	10	Brass	1823391565
G 1/8	Ø 6	10	Brass	1823391566
G 1/8	Ø 8	10	Brass	1823391567
G 1/4	Ø 6	10	Brass	1823391568
G 1/4	Ø 8	10	Brass	1823391569
G 1/4	Ø 10	5	Brass	1823391570
G 3/8	Ø 8	5	Brass	1823391571
G 3/8	Ø 10	5	Brass	1823391572
G 3/8	Ø 12	5	Brass	1823391573

Dimensions



Part No.	Port D	Port G	Ø B	Ø E	H	L	L1	SW
1823391562	Ø 4	M5	9	8	4.5	17.5	18.5	8
1823391563	Ø 5	M5	10	7	4.5	17.5	19.5	8
1823391564	Ø 4	G 1/8	9	14	7.5	28	21	14
1823391565	Ø 5	G 1/8	10	14	7.5	28	22.5	14
1823391566	Ø 6	G 1/8	11	14	7.5	28	23	14
1823391567	Ø 8	G 1/8	13	14	7.5	28	24.5	14
1823391568	Ø 6	G 1/4	11	18	9	33	24	17
1823391569	Ø 8	G 1/4	13	18	9	33	26	17
1823391570	Ø 10	G 1/4	15	18	9	33	27	17
1823391571	Ø 8	G 3/8	13	21	9.5	36	28	22
1823391572	Ø 10	G 3/8	15	21	9.5	36	29	22
1823391573	Ø 12	G 3/8	17	21	9.5	36	30	22

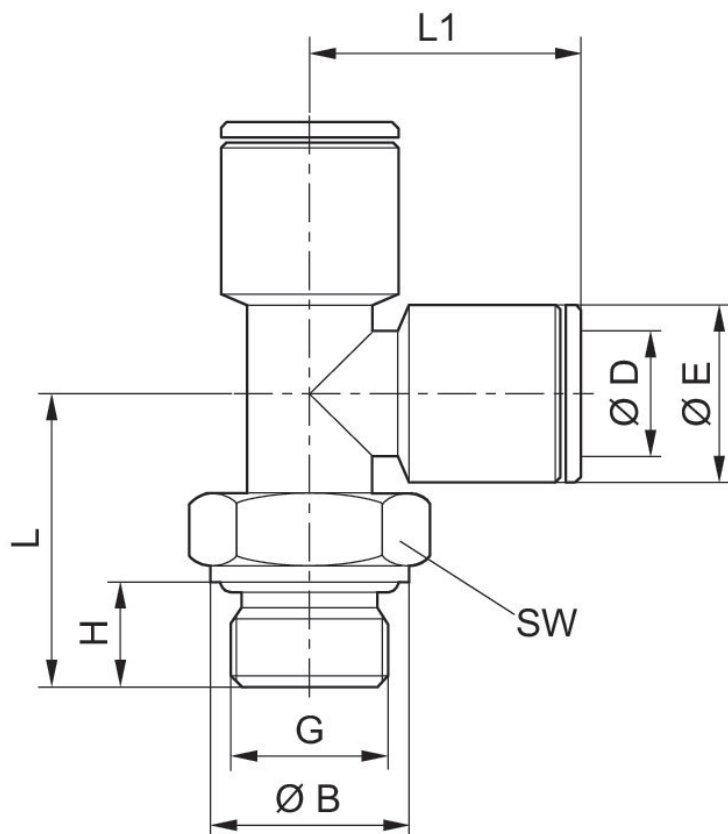
Series QR2-S-RLT standard

Fitting type: Elbow fitting, rotatable
 Compressed air connection type: External thread
 Compressed air connection 2: Push-in fitting
 Ambient temperature min./max.: -20 °C ... 80 °C
 Working pressure min./max.: -0.95 bar ... 16 bar



G	Ø D	Delivery unit [piece]	Material	Part No.
M5	Ø 4	10	Brass	1823391825
G 1/8	Ø 4	10	Brass	1823391826
G 1/8	Ø 6	10	Brass	1823391827
G 1/8	Ø 8	10	Brass	1823391828
G 1/4	Ø 4	10	Brass	1823391829
G 1/4	Ø 6	10	Brass	1823391830
G 1/4	Ø 8	10	Brass	1823391831
G 1/4	Ø 10	10	Brass	1823391832
G 1/4	Ø 12	5	Brass	1823391836
G 3/8	Ø 8	10	Brass	1823391833
G 3/8	Ø 10	10	Brass	1823391834
G 3/8	Ø 12	5	Brass	1823391835
G 1/2	Ø 14	5	Brass	1823391837

Dimensions



Part No.	Port D	Port G	Ø B	Ø E	H	L	L1	SW
1823391825	Ø 4	M5	8	9	4	20	19	9
1823391826	Ø 4	G 1/8	12.8	9	5.8	18.5	17.5	13
1823391827	Ø 6	G 1/8	12.8	11	5.8	18.5	21	13
1823391828	Ø 8	G 1/8	12.8	13	5.8	20.5	23	13
1823391829	Ø 4	G 1/4	15.8	9	8	22.5	19	16
1823391830	Ø 6	G 1/4	15.8	11	8	22.5	21	13
1823391831	Ø 8	G 1/4	15.8	13	8	22.5	24	13
1823391832	Ø 10	G 1/4	15.8	15	8	24.5	27	16
1823391836	Ø 12	G 1/4	15.8	17	8	24.5	27	16
1823391833	Ø 8	G 3/8	20	13	9	25.5	24	13
1823391834	Ø 10	G 3/8	20	15	9	24.5	25.5	16
1823391835	Ø 12	G 3/8	20	17	9	26.5	27	18
1823391837	Ø 14	G 1/2	25	20	11	30.5	31	21

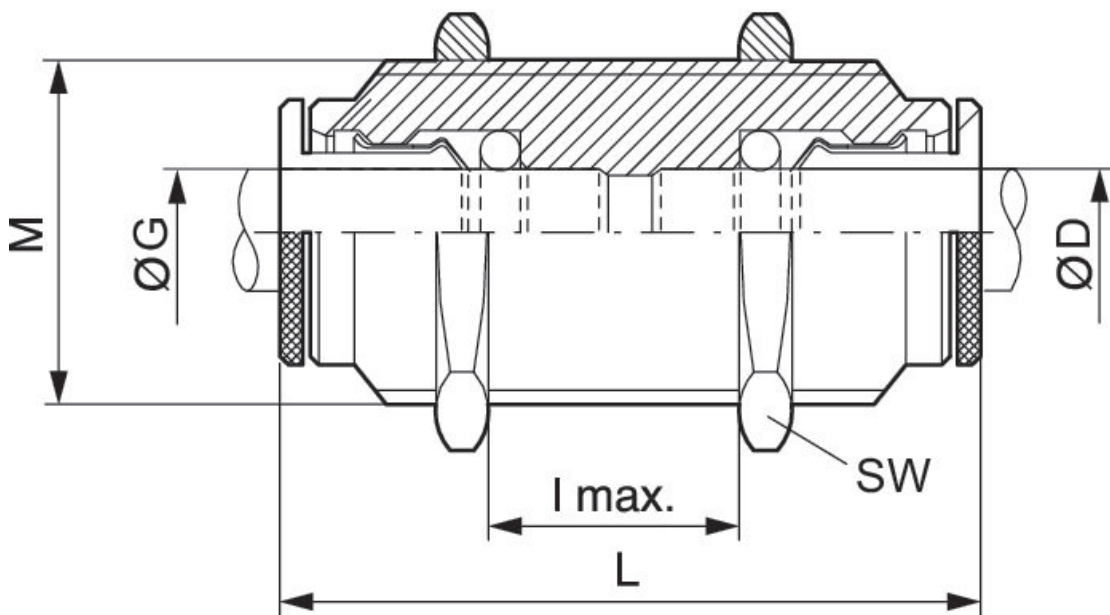
Series QR2-S-RSM standard

Fitting type: Bulkhead push-in fitting, metal
 Compressed air connection type: Push-in fitting
 Compressed air connection 2: Push-in fitting
 Ambient temperature min./max.: -20 °C ... 80 °C
 Working pressure min./max.: -0.95 bar ... 16 bar



G	Ø D	Delivery unit [piece]	Material	Part No.
Ø 4	Ø 4	10	Brass	1823391636
Ø 5	Ø 5	10	Brass	1823391637
Ø 6	Ø 6	10	Brass	1823391638
Ø 8	Ø 8	10	Brass	1823391639
Ø 10	Ø 10	10	Brass	1823391640
Ø 12	Ø 12	5	Brass	1823391641
Ø 14	Ø 14	5	Brass	1823391642
Ø 16	Ø 16	2	Brass	R412010241

Dimensions



Part No.	Port D	Port G	M	I max.	L	SW
1823391636	Ø 4	Ø 4	M10x1	8	32	13
1823391637	Ø 5	Ø 5	M11x1	8	33	14
1823391638	Ø 6	Ø 6	M14x1	8	33.5	17
1823391639	Ø 8	Ø 8	M16x1	10	37	18
1823391640	Ø 10	Ø 10	M17x1	12	39.5	20
1823391641	Ø 12	Ø 12	M20x1	17	42	24
1823391642	Ø 14	Ø 14	M22x1	18	45	25
R412010241	Ø16	Ø16	M28x1,5	21	50	36

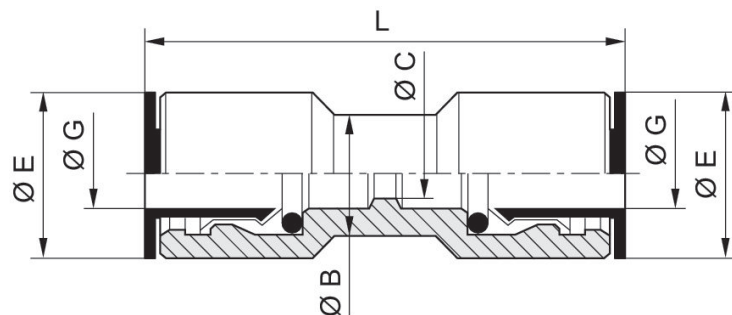
Series QR2-S-RSK standard

Fitting type: Straight plug connector
 Compressed air connection type: Push-in fitting
 Ambient temperature min./max.: -20 °C ... 80 °C
 Working pressure min./max.: -0.95 bar ... 16 bar

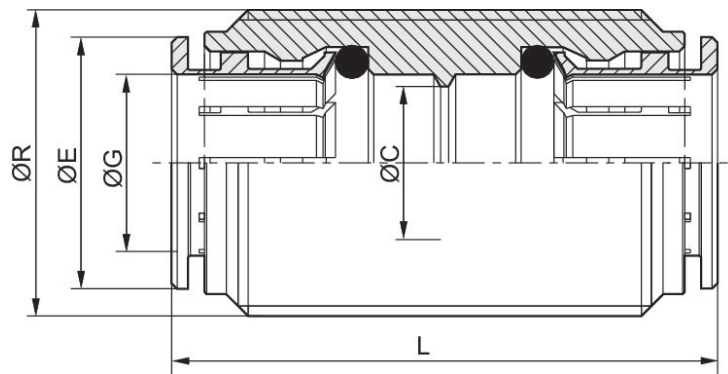


G	Ø	Delivery unit [piece]	Material	Part No.
Ø 4		10	Brass	1823386077
Ø 5		10	Brass	1823386078
Ø 6		10	Brass	1823386079
Ø 8		10	Brass	1823386080
Ø 10		10	Brass	1823386081
Ø 12		5	Brass	1823386082
Ø 14		5	Brass	1823386083
Ø 16	M28x1,5	1	Brass	R412010539

Dimensions



Dimensions



Part No.	Anschluss R	Port G	$\varnothing B$	$\varnothing C$	$\varnothing E$	L
1823386077	-	$\varnothing 4$	7	3	9	30
1823386078	-	$\varnothing 5$	8	4	9.5	32
1823386079	-	$\varnothing 6$	10	5	11	31.5
1823386080	-	$\varnothing 8$	12	7	13	36
1823386081	-	$\varnothing 10$	13	9	15	37
1823386082	-	$\varnothing 12$	16	11	17	40.5
1823386083	-	$\varnothing 14$	18	12	20	45
R412010539	M28x1,5	$\varnothing 16$	-	14	23	50

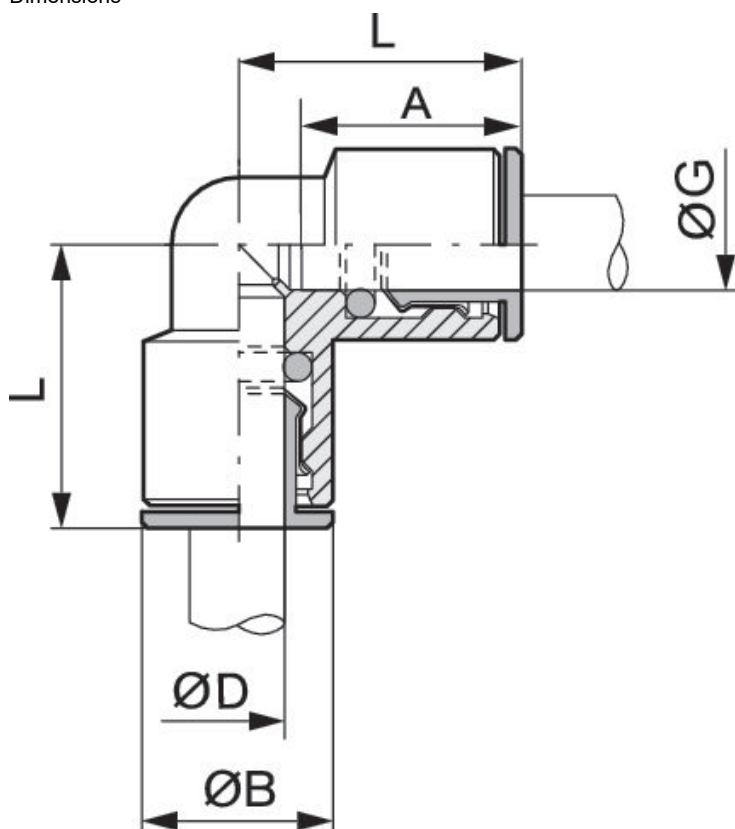
Series QR2-S-RVK standard

Fitting type: Angled plug connector
 Compressed air connection type: Push-in fitting
 Compressed air connection 2: Push-in fitting
 Ambient temperature min./max.: -20 °C ... 80 °C
 Working pressure min./max.: -0.95 bar ... 16 bar



G	Ø D	Delivery unit [piece]	Material	Part No.
Ø 4	Ø 4	10	Brass	1823380012
Ø 5	Ø 5	10	Brass	1823380013
Ø 6	Ø 6	10	Brass	1823380014
Ø 8	Ø 8	10	Brass	1823380015
Ø 10	Ø 10	10	Brass	1823380016
Ø 12	Ø 12	5	Brass	1823380017
Ø 14	Ø 14	5	Brass	1823380018
Ø 16	Ø 16	1	Brass	R412010540

Dimensions



Part No.	Port D	Port G	ØB	L	A Insertion depth
1823380012	Ø 4	Ø 4	9	17.5	14
1823380013	Ø 5	Ø 5	9.5	19	16
1823380014	Ø 6	Ø 6	11	19.5	16
1823380015	Ø 8	Ø 8	13	23	18
1823380016	Ø 10	Ø 10	15	25	19
1823380017	Ø 12	Ø 12	17	27	20
1823380018	Ø 14	Ø 14	19	30	22
R412010540	Ø16	Ø16	23	33	36

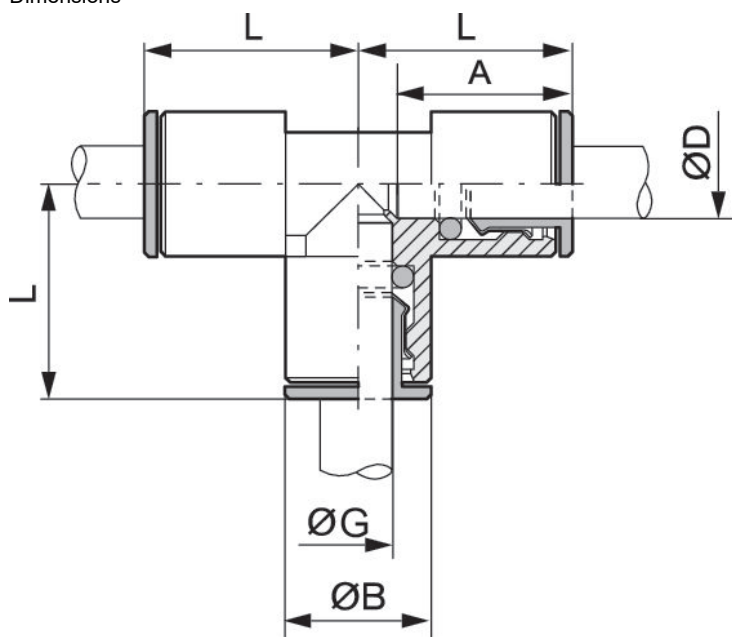
Series QR2-S-RTK standard

Fitting type: T-plug connector
 Compressed air connection type: Push-in fitting
 Compressed air connection 2: Push-in fitting
 Ambient temperature min./max.: -20 °C ... 80 °C
 Working pressure min./max.: -0.95 bar ... 16 bar



G	Ø D	Delivery unit [piece]	Material	Part No.
Ø 4	Ø 4	10	Brass	1823381043
Ø 5	Ø 5	10	Brass	1823381044
Ø 6	Ø 6	10	Brass	1823381045
Ø 8	Ø 8	10	Brass	1823381046
Ø 10	Ø 10	10	Brass	1823381047
Ø 12	Ø 12	5	Brass	1823381048
Ø 14	Ø 14	5	Brass	1823381049
Ø 16	Ø 16	1	Brass	R412010541

Dimensions



Part No.	Port D	Port G	ØB	L	A Insertion depth
1823381043	Ø 4	Ø 4	9	17.5	15
1823381044	Ø 5	Ø 5	10	19	16
1823381045	Ø 6	Ø 6	11	19.5	16
1823381046	Ø 8	Ø 8	13	23	18
1823381047	Ø 10	Ø 10	15	25	15
1823381048	Ø 12	Ø 12	17	27	20
1823381049	Ø 14	Ø 14	20	30	22
R412010541	Ø16	Ø16	23	36	25

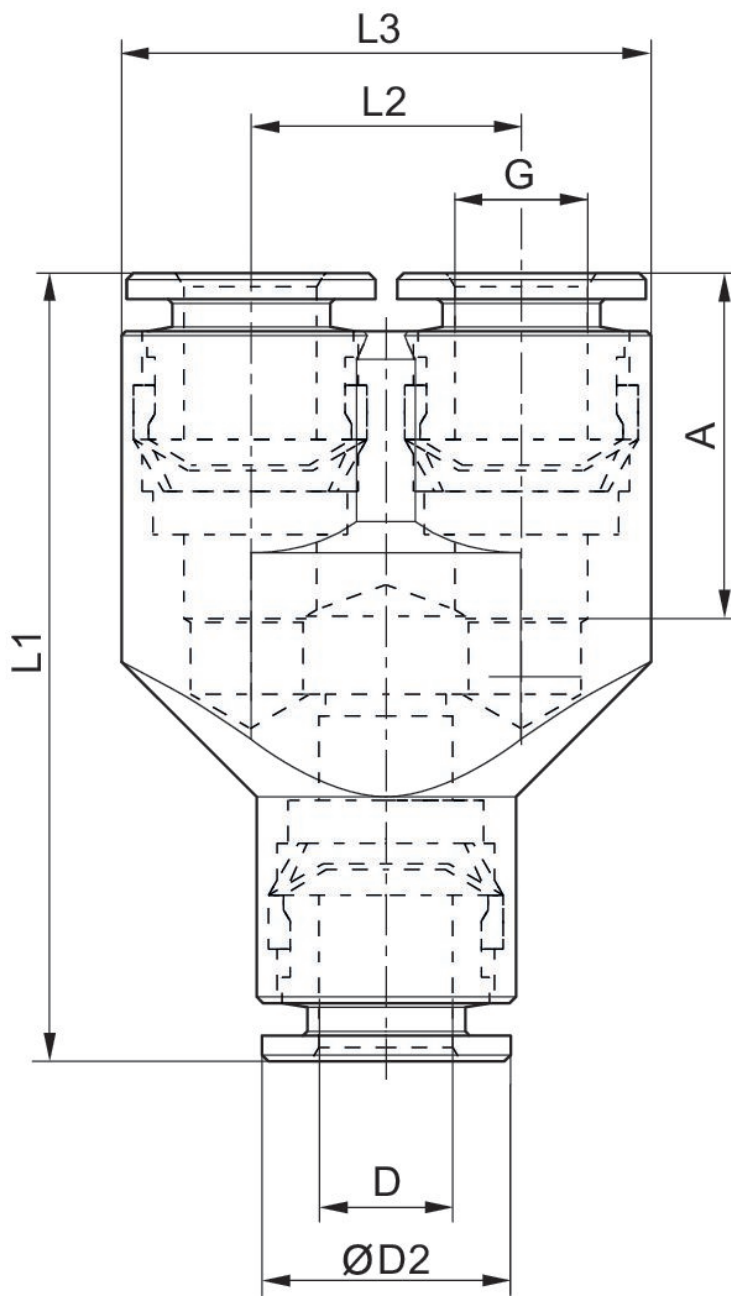
Series QR2-S-RYK standard

Fitting type: Y-Plug connection, rotatable
 Compressed air connection type: Push-in fitting
 Compressed air connection 2: Push-in fitting
 Ambient temperature min./max.: -20 °C ... 70 °C
 Working pressure min./max.: -0.95 bar ... 15 bar



G	Ø D	Delivery unit [piece]	Material	Part No.
Ø 4	Ø 4	5	Brass	R412010804
Ø 6	Ø 6	5	Brass	R412010802
Ø 8	Ø 8	5	Brass	R412010117
Ø 10	Ø 10	5	Brass	R412010535

Dimensions



Part No.	Port D	Port G	A Insertion depth	ØD2	L1	L2	L3
R412010804	Ø 4	Ø 4	12.5	9	29.5	9.5	18.5
R412010802	Ø 6	Ø 6	15.5	11.5	36	12.5	24.5
R412010117	Ø 8	Ø 8	15.5	13.5	37.5	14.5	28.5
R412010535	Ø 10	Ø 10	17.5	15.5	44	16.5	32.5

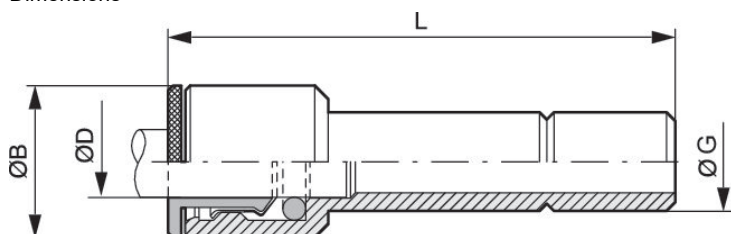
Series QR2-S-REE standard

Fitting type: Straight push-in fitting, increasing
 Compressed air connection type: pin bushing
 Compressed air connection 2: Push-in fitting
 Ambient temperature min./max.: -20 °C ... 80 °C
 Working pressure min./max.: -0.95 bar ... 16 bar



G	Ø D	Delivery unit [piece]	Material	Part No.
Ø 4	Ø 6	10	Brass	1823391628
Ø 6	Ø 8	10	Brass	1823391890

Dimensions



Part No.	Port D	Port G	Ø B	L
1823391628	Ø 6	Ø 4	10.5	33.5
1823391890	Ø 8	Ø 6	13	39

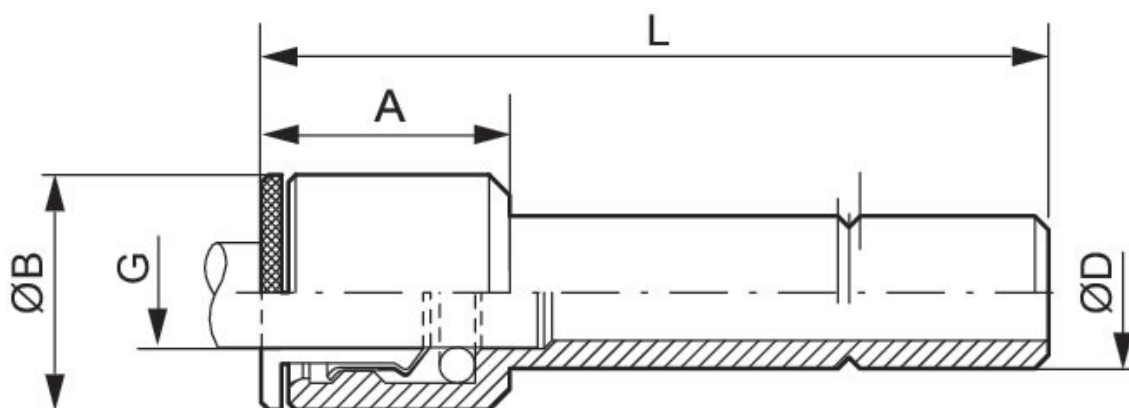
Series QR2-S-RED standard

Fitting type: Straight push-in fitting, reducing
 Compressed air connection type: Push-in fitting
 Compressed air connection 2: pin bushing
 Ambient temperature min./max.: -20 °C ... 80 °C
 Working pressure min./max.: -0.95 bar ... 16 bar



G	Ø D	Delivery unit [piece]	Material	Part No.
Ø 4	Ø 5	10	Brass	1823391614
Ø 4	Ø 6	10	Brass	1823391615
Ø 5	Ø 6	10	Brass	1823391616
Ø 4	Ø 8	10	Brass	1823391617
Ø 5	Ø 8	10	Brass	1823391618
Ø 6	Ø 8	10	Brass	1823391619
Ø 6	Ø 10	10	Brass	1823391620
Ø 8	Ø 10	10	Brass	1823391621
Ø 4	Ø 12	10	Brass	1823391622
Ø 6	Ø 12	10	Brass	1823391623
Ø 8	Ø 12	10	Brass	1823391624
Ø 10	Ø 12	5	Brass	1823391903
Ø 4	Ø 14	5	Brass	1823391625
Ø 6	Ø 14	5	Brass	1823391626
Ø 8	Ø 14	5	Brass	1823391627
Ø 10	Ø 14	5	Brass	1823391842
Ø 12	Ø 14	10	Brass	1823391811
Ø 14	Ø 16	5	Brass	R412010190

Dimensions



Part No.	Port D	Port G	Ø B	L	A Insertion depth
1823391614	Ø 5	Ø 4	9	32.5	15
1823391615	Ø 6	Ø 4	9	28.5	15
1823391616	Ø 6	Ø 5	9.5	35.5	16
1823391617	Ø 8	Ø 4	9	31	15
1823391618	Ø 8	Ø 5	9.5	32.5	16
1823391619	Ø 8	Ø 6	10.5	33.5	16
1823391620	Ø 10	Ø 6	10.5	36.5	16
1823391621	Ø 10	Ø 8	13	38	18
1823391622	Ø 12	Ø 4	13	39.5	15
1823391623	Ø 12	Ø 6	13	39.5	16
1823391624	Ø 12	Ø 8	13	38.5	18
1823391903	Ø 12	Ø 10	15	41	20
1823391625	Ø 14	Ø 4	15	43	15
1823391626	Ø 14	Ø 6	15	43	16
1823391627	Ø 14	Ø 8	15	43	18
1823391842	Ø 14	Ø 10	15	43	20
1823391811	Ø 14	Ø 12	17	43	22
R412010190	Ø 16	Ø 14	20	47	25

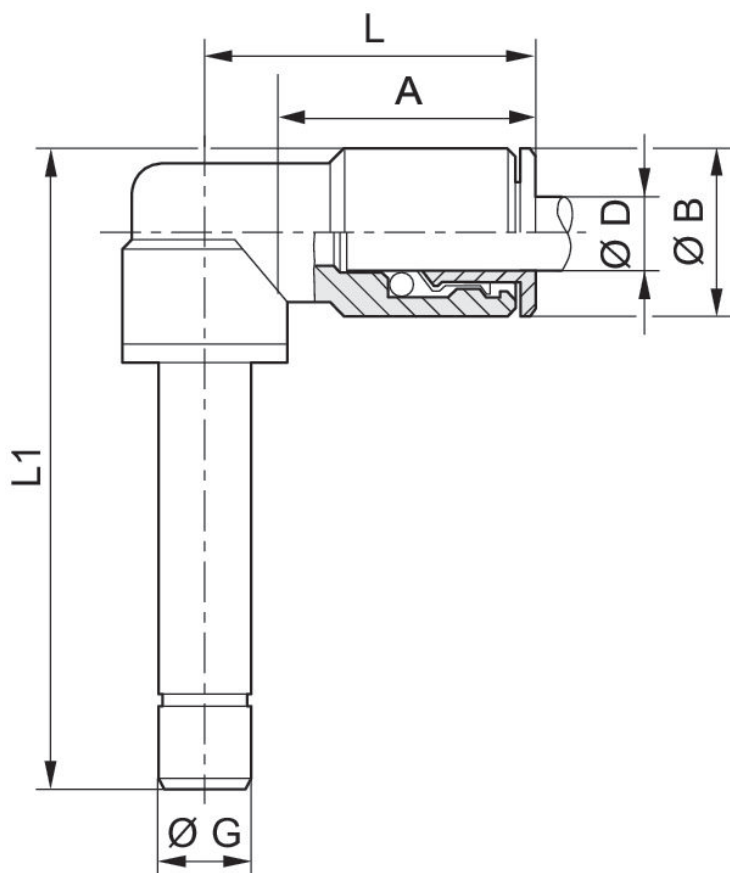
Series QR2-S-RVA standard

Fitting type: Angled plug-in connector
 Compressed air connection type: pin bushing
 Compressed air connection 2: Push-in fitting
 Ambient temperature min./max.: -20 °C ... 80 °C
 Working pressure min./max.: -0.95 bar ... 16 bar



G	Ø D	Delivery unit [piece]	Material	Part No.
Ø 4	Ø 4	10	Brass	R412004851
Ø 6	Ø 6	10	Brass	R412004852
Ø 8	Ø 8	10	Brass	1823391942
Ø 10	Ø 10	10	Brass	1823391943
Ø 12	Ø 12	10	Brass	1823391944
Ø 14	Ø 14	10	Brass	R412010739

Dimensions



Part No.	Port D	Port G	Ø D	Ø B	L	L1	A Insertion depth
R412004851	Ø 4	Ø 4	4	9	18	24.5	15
R412004852	Ø 6	Ø 6	6	11	20	32	16
1823391942	Ø 8	Ø 8	8	13	23	37.5	17.5
1823391943	Ø 10	Ø 10	10	15	25	43.1	19
1823391944	Ø 12	Ø 12	12	17	27	49.5	20
R412010739	Ø 14	Ø 14	14	20	32	54	22.5

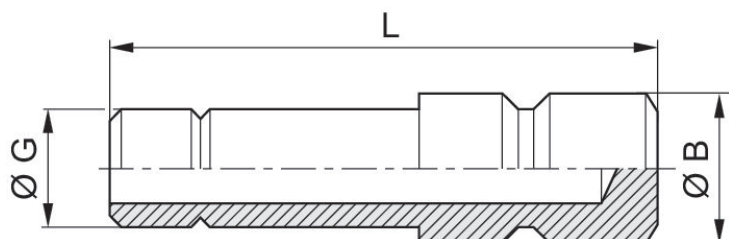
Series QR2-S-RBS standard

Fitting type: Blanking plug
 Compressed air connection type: pin bushing
 Ambient temperature min./max.: -20 °C ... 80 °C
 Working pressure min./max.: -0.95 bar ... 16 bar



G	Delivery unit [piece]	Material	Part No.
Ø 4	25	Brass	1823391607
Ø 5	25	Brass	1823391608
Ø 6	25	Brass	1823391609
Ø 8	25	Brass	1823391610
Ø 10	25	Brass	1823391611
Ø 12	10	Brass	1823391612
Ø 14	10	Brass	1823391613

Dimensions



Part No.	Port G	Ø B	L
1823391607	Ø 4	5	25.5
1823391608	Ø 5	6	26.5
1823391609	Ø 6	7	27.5
1823391610	Ø 8	9	30.5
1823391611	Ø 10	11	35
1823391612	Ø 12	13	37
1823391613	Ø 14	15	40

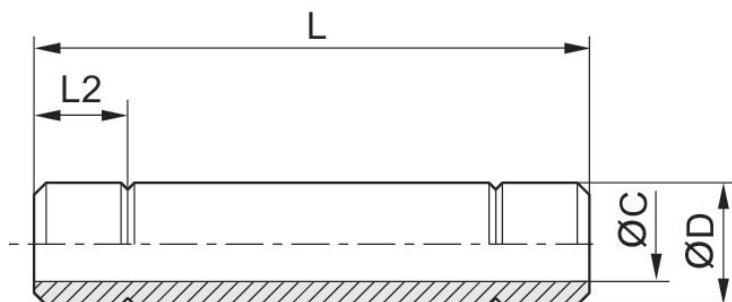
Series QR2-S-RDS standard

Fitting type: Connection piece
 Compressed air connection 2: pin bushing
 Ambient temperature min./max.: -20 °C ... 80 °C
 Working pressure min./max.: -0.95 bar ... 16 bar



Ø D	Delivery unit [piece]	Material	Part No.
Ø 5	25	Brass	1823391630
Ø 10	25	Brass	1823391633
Ø 12	10	Brass	1823391634
Ø 14	10	Brass	1823391635

Dimensions



Part No.	Port D	Ø C	L	L2
1823391630	Ø 5	3	33	4.6
1823391633	Ø 10	8	45.5	6.5
1823391634	Ø 12	10	48	6.6
1823391635	Ø 14	12	53	7.7

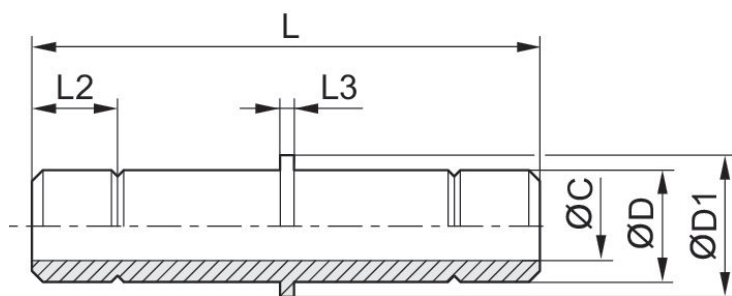
Series QR2-S-RDS standard

Fitting type: Union with collar
 Compressed air connection 2: pin bushing
 Ambient temperature min./max.: -20 °C ... 80 °C
 Working pressure min./max.: -0.95 bar ... 16 bar



Ø D	Delivery unit [piece]	Material	Part No.
Ø 4	25	Brass	1823391629
Ø 6	25	Brass	1823391631
Ø 8	25	Brass	1823391632
Ø16	10	Brass	R412010191

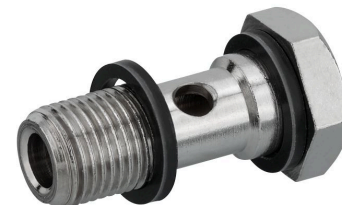
Dimensions



Part No.	Port D	Ø C	L	L2	L3	ØD1
1823391629	Ø 4	2	35	5.4	0.6	17
1823391631	Ø 6	4	36.6	5.8	0.6	9
1823391632	Ø 8	6	40	6.9	1	7
R412010191	Ø 16	14	58	8.7	2	5

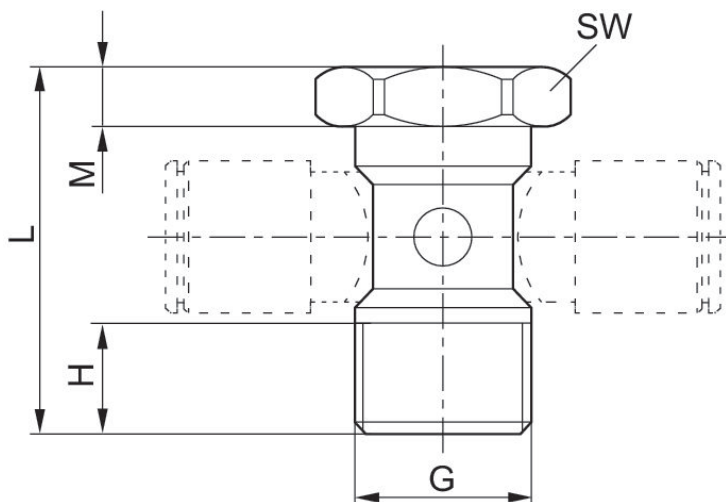
Series QR2-S-RH1 standard

Fitting type: 1x banjo bolt
 Compressed air connection type: External thread
 Ambient temperature min./max.: -20 °C ... 70 °C
 Working pressure min./max.: -0.95 bar ... 16 bar



G	Delivery unit [piece]	Material	Part No.
M5	10	Brass	1823391574
G 1/8	10	Brass	1823391575
G 1/4	10	Brass	1823391576
G 3/8	10	Brass	1823391577

Dimensions



Part No.	Port G	H	L	M	SW
1823391574	M5	4.5	17.5	3	8
1823391575	G 1/8	9	28	4	14
1823391576	G 1/4	11	33	5	17
1823391577	G 3/8	12	36	4.5	19

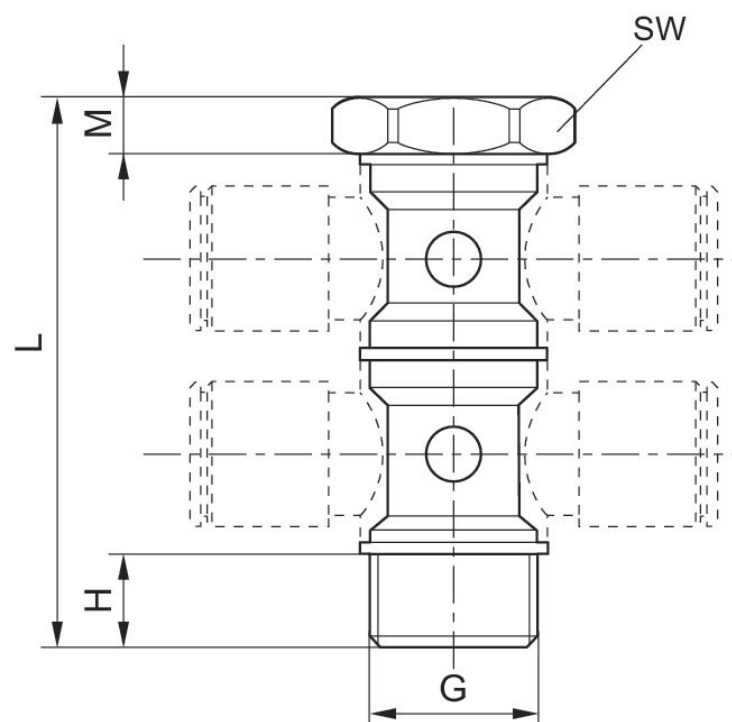
Series QR2-S-RH2 standard

Fitting type: 2x banjo bolt
Compressed air connection type: External thread
Ambient temperature min./max.: -20 °C ... 70 °C
Working pressure min./max.: -0.95 bar ... 16 bar



G	Delivery unit [piece]	Material	Part No.
G 1/8	10	Brass	1823391579
G 1/4	10	Brass	1823391580
G 3/8	10	Brass	1823391581

Dimensions



Part No.	Port G	H	L	M	SW
1823391579	G 1/8	6	44.5	4	14
1823391580	G 1/4	6.5	51.5	5	17
1823391581	G 3/8	7.5	58.1	4.5	19

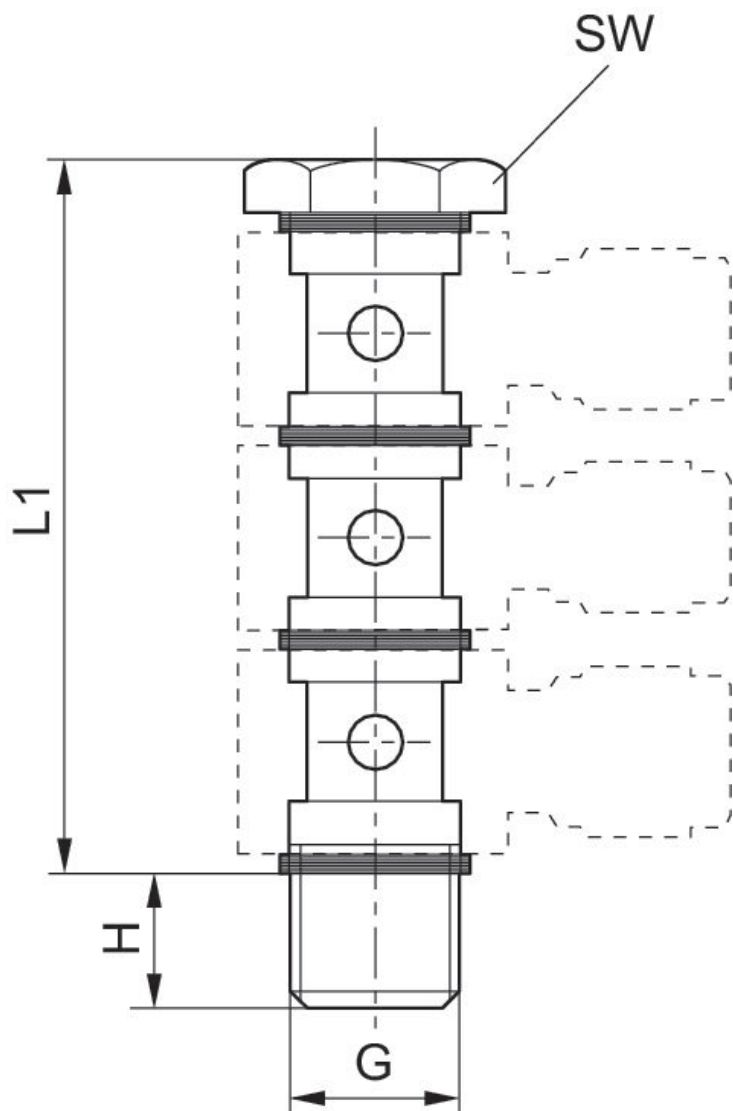
Series QR2-S-RH3 standard

Fitting type: 3x banjo bolt
 Compressed air connection type: External thread
 Ambient temperature min./max.: -10 °C ... 70 °C
 Working pressure min./max.: -0.95 bar ... 15 bar



G	Delivery unit [piece]	Material	Part No.
G 1/8	10	Brass	1823462065
G 1/4	2	Brass	1823462066
G 3/8	2	Brass	1823391052

Dimensions



Part No.	Port G	H	L1	SW	Type / Version
1823462065	G 1/8	5,0	55	14	
1823462066	G 1/4	6.5	64	17	
1823391052	G 3/8	7.5	72.5	19	

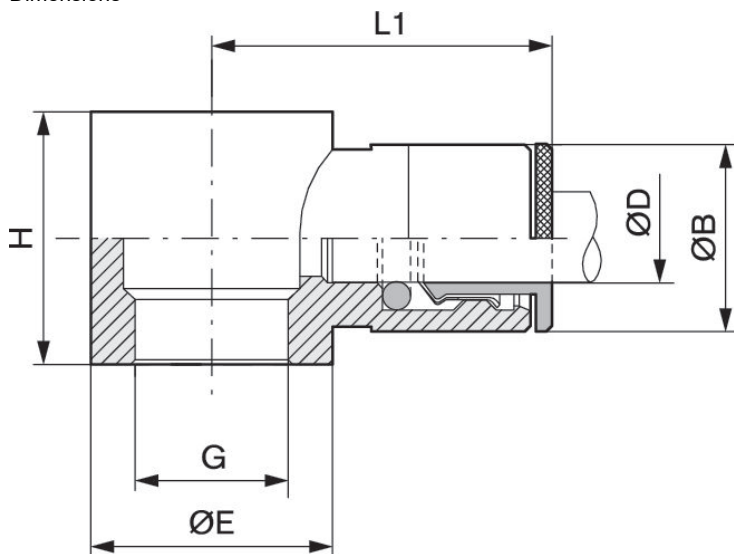
Series QR2-S-RV1 standard

Fitting type: 1x banjo union
 Compressed air connection 2: Push-in fitting
 Ambient temperature min./max.: -20 °C ... 80 °C
 Working pressure min./max.: -0.95 bar ... 16 bar



G	Ø D	Delivery unit [piece]	Material	Part No.
M5	Ø 4	10	Brass	1823391583
M5	Ø 5	10	Brass	1823391584
G 1/8	Ø 4	10	Brass	1823391585
G 1/8	Ø 6	10	Brass	1823391587
G 1/8	Ø 8	10	Brass	1823391588
G 1/4	Ø 6	10	Brass	1823391589
G 1/4	Ø 8	10	Brass	1823391590
G 1/4	Ø 10	5	Brass	1823391591
G 3/8	Ø 8	5	Brass	1823391592
G 3/8	Ø 10	5	Brass	1823391593
G 3/8	Ø 12	5	Brass	1823391594

Dimensions



Part No.	Port D	Port G	Ø B	Ø E	H	L1
1823391583	Ø 4	M5	9	8.2	9	18.5
1823391584	Ø 5	M5	10	7	9	19.5
1823391585	Ø 4	G 1/8	9	14	15	21
1823391587	Ø 6	G 1/8	11	14	15	23
1823391588	Ø 8	G 1/8	13	14	15	24.5
1823391589	Ø 6	G 1/4	11	18	17	24
1823391590	Ø 8	G 1/4	13	18	17	26
1823391591	Ø 10	G 1/4	15	18	17	27
1823391592	Ø 8	G 3/8	13	21	20	28
1823391593	Ø 10	G 3/8	15	21	20	29
1823391594	Ø 12	G 3/8	17	21	20	30

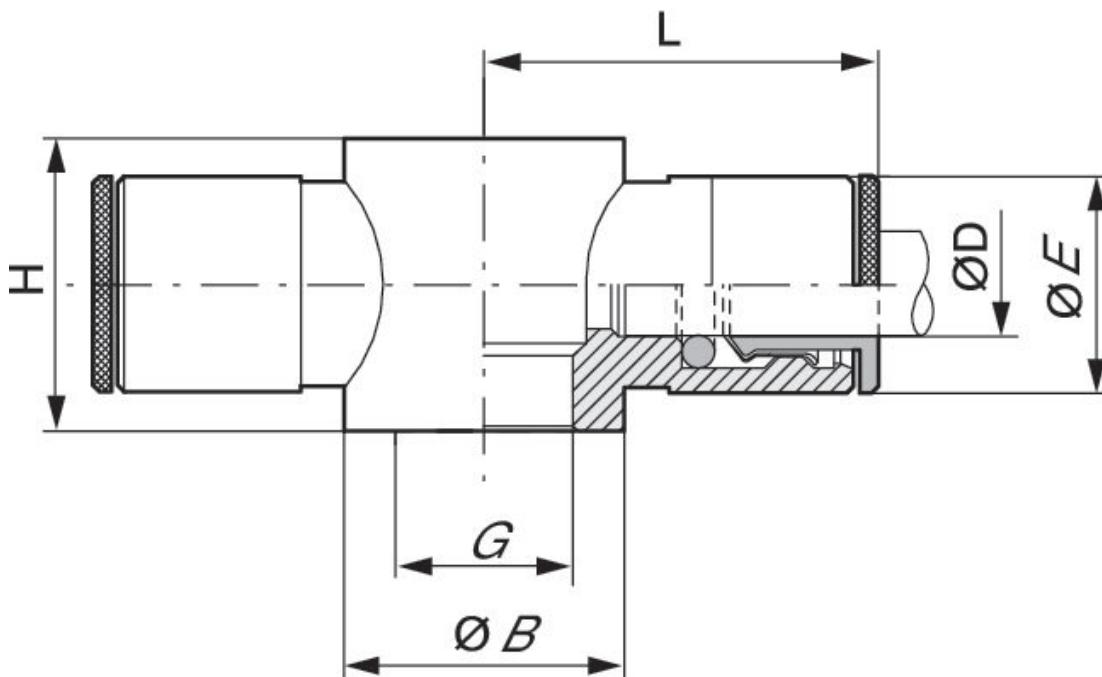
Series QR2-S-RT1 standard

Fitting type: 2x banjo union
 Compressed air connection 2: Push-in fitting
 Ambient temperature min./max.: -20 °C ... 80 °C
 Working pressure min./max.: -0.95 bar ... 16 bar



G	Ø D	Delivery unit [piece]	Material	Part No.
M5	Ø 4	10	Brass	1823391595
M5	Ø 5	10	Brass	1823391596
G 1/8	Ø 4	10	Brass	1823391597
G 1/8	Ø 5	10	Brass	1823391598
G 1/8	Ø 6	10	Brass	1823391599
G 1/8	Ø 8	10	Brass	1823391600
G 1/4	Ø 6	10	Brass	1823391601
G 1/4	Ø 8	10	Brass	1823391602
G 1/4	Ø 10	5	Brass	1823391603
G 3/8	Ø 8	5	Brass	1823391604
G 3/8	Ø 10	5	Brass	1823391605
G 3/8	Ø 12	5	Brass	1823391606

Dimensions



Part No.	Port D	Port G	Ø B	Ø E	H	L
1823391595	Ø 4	M5	8	9	9	18.5
1823391596	Ø 5	M5	8	10	9	19.5
1823391597	Ø 4	G 1/8	14	9	15	21
1823391598	Ø 5	G 1/8	14	10	15	22.5
1823391599	Ø 6	G 1/8	14	11	15	23
1823391600	Ø 8	G 1/8	14	13	15	24.5
1823391601	Ø 6	G 1/4	18	11	17	24
1823391602	Ø 8	G 1/4	18	13	17	26
1823391603	Ø 10	G 1/4	18	15	17	27
1823391604	Ø 8	G 3/8	21	13	20	28
1823391605	Ø 10	G 3/8	22	15	20	29
1823391606	Ø 12	G 3/8	22	17	20	30

Series QR2-C-RPN, stainless steel

Fitting type: Straight fitting

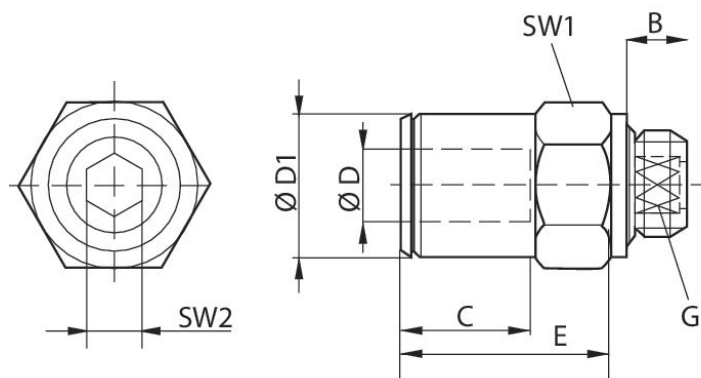
Ambient temperature min./max.: -20 °C ... 150 °C

Working pressure min./max.: -0.95 bar ... 16 bar



G	Ø D	Delivery unit [piece]	Material	Part No.
G 1/2	Ø 12	2	Stainless Steel	R412010524
M5	Ø 4	2	Stainless Steel	2544004050
M5	Ø 6	2	Stainless Steel	R412026847
M7	Ø 4	2	Stainless Steel	R412010036
M7	Ø 6	2	Stainless Steel	R412010037
G 1/8	Ø 4	2	Stainless Steel	R412004890
G 1/8	Ø 6	2	Stainless Steel	R412004891
G 1/8	Ø 8	2	Stainless Steel	R412004892
G 1/4	Ø 6	2	Stainless Steel	R412004893
G 1/4	Ø 8	2	Stainless Steel	R412004894
G 1/4	Ø 10	2	Stainless Steel	R412004895
G 3/8	Ø 10	2	Stainless Steel	R412004896
G 3/8	Ø 12	2	Stainless Steel	R412004897
G 1/2	Ø 10	2	Stainless Steel	R412010043

Dimensions



Part No.	Port D	Port G	A	B	C	E*	SW1	SW2	ØD1
2544004050	Ø 4	M5	20.5	4	7	15	9	–	9
R412026847	Ø 6	M5	22.5	4	–	16	9	–	11
R412010036	Ø 4	M7	22.5	5.5	5	15	11	2.5	9
R412010037	Ø 6	M7	24	5.5	6	16	11	3.5	11
R412004890	Ø 4	G 1/8	17	5.5	7	15	13	3	9
R412004891	Ø 6	G 1/8	23.5	5.5	12.5	16	13	4	11
R412004892	Ø 8	G 1/8	23.5	5.5	12.5	18	13	5	13
R412004893	Ø 6	G 1/4	21.5	6.5	5.5	16	16	4	11
R412004894	Ø 8	G 1/4	25.5	6.5	9.5	16	16	6	13
R412004895	Ø 10	G 1/4	27.5	6.5	7.5	16	16	7	15
R412004896	Ø 10	G 3/8	25.5	9	7	19	21	8	15
R412004897	Ø 12	G 3/8	31	9	7	20	21	10	17
R412010043	Ø 10	G 1/2	29	9	7	19	23	8	15
R412010524	Ø 12	G 1/2	29	9	7	20	23	10	17

* Insertion depth

Series QR2-C-RVT , stainless steel

Fitting type: Elbow fitting

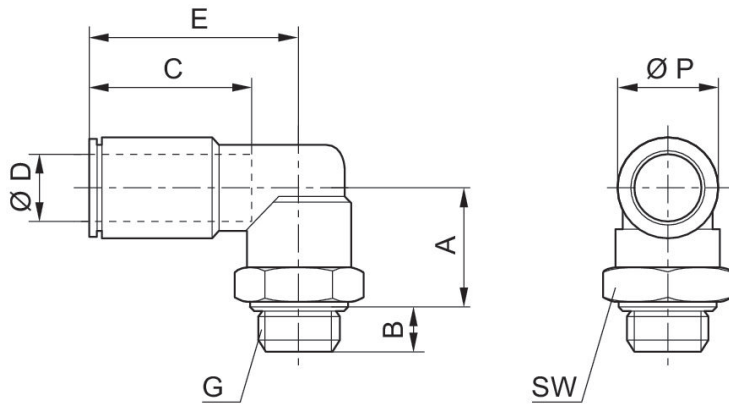
Ambient temperature min./max.: -20 °C ... 150 °C

Working pressure min./max.: -0.95 bar ... 16 bar



G	Ø D	Delivery unit [piece]	Material	Part No.
M5	Ø 4	2	Stainless Steel	R412005617
M5	Ø 6	2	Stainless Steel	R412026810
G 1/8	Ø 4	2	Stainless Steel	R412004898
G 1/8	Ø 6	2	Stainless Steel	R412004899
G 1/8	Ø 8	2	Stainless Steel	R412004900
G 1/4	Ø 6	2	Stainless Steel	R412004901
G 1/4	Ø 8	2	Stainless Steel	R412005616
G 3/8	Ø 10	1	Stainless Steel	R412004902
G 3/8	Ø 12	1	Stainless Steel	R412004903
G 1/2	Ø 12	1	Stainless Steel	R412026809

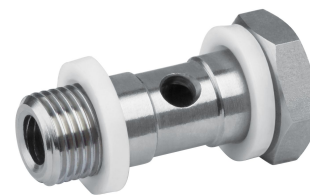
Dimensions



Part No.	Port D	Port G	A	B	C	E	SW	$\varnothing P$
R412005617	$\varnothing 4$	M5	15	4	15	14.5	9	9
R412026810	$\varnothing 6$	M5	16	4	15	14.5	9	9
R412004898	$\varnothing 4$	G 1/8	14.5	5.5	15	19.5	13	9
R412004899	$\varnothing 6$	G 1/8	16.5	5.5	16	19.5	13	11
R412004900	$\varnothing 8$	G 1/8	18.5	5.5	18	19.5	13	13
R412004901	$\varnothing 6$	G 1/4	15.5	6.5	16	20.5	16	11
R412005616	$\varnothing 8$	G 1/4	17.5	6.5	18	20.5	16	13
R412004902	$\varnothing 10$	G 3/8	18.5	7	19	24	21	16
R412004903	$\varnothing 12$	G 3/8	21	7	19	26.5	21	19
R412026809	$\varnothing 12$	G 1/2	33,5	11	19	28.5	20	19

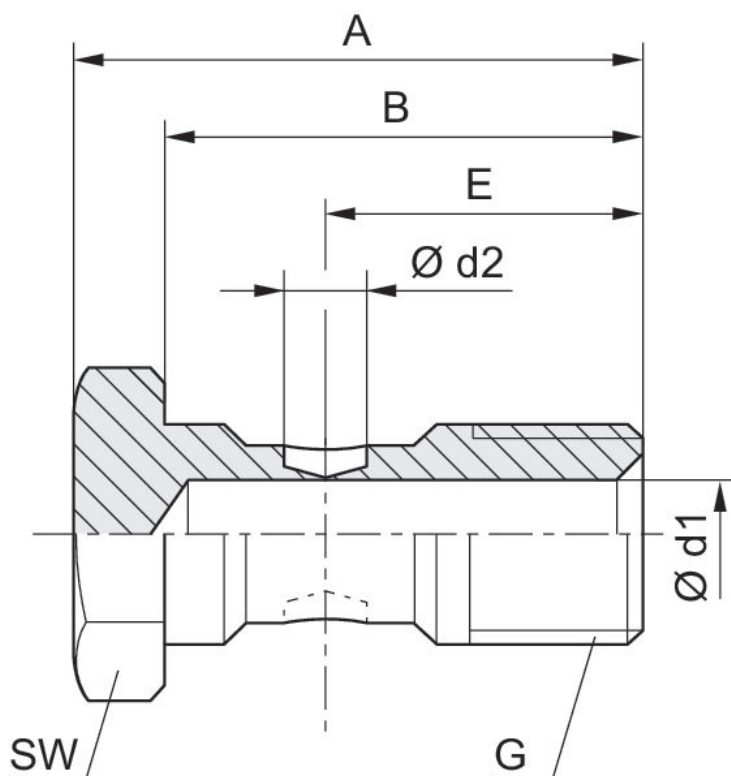
Series QR2-C-RH1, stainless steel

Fitting type: 1x banjo bolt
Ambient temperature min./max.: -20 °C ... 150 °C
Working pressure min./max.: -0.95 bar ... 16 bar



G	Delivery unit [piece]	Material	Part No.
G 1/8	2	Stainless Steel	R412004978
G 1/4	2	Stainless Steel	R412004979

Dimensions



Part No.	Port G	A	B	E	Ø d1	Ø d2	SW
R412004978	G 1/8	29	24.8	15.5	5	3.5	14
R412004979	G 1/4	32.5	27.5	17.5	7	5	17

Series QR2-C-RV1, stainless steel

Fitting type: 1x banjo union

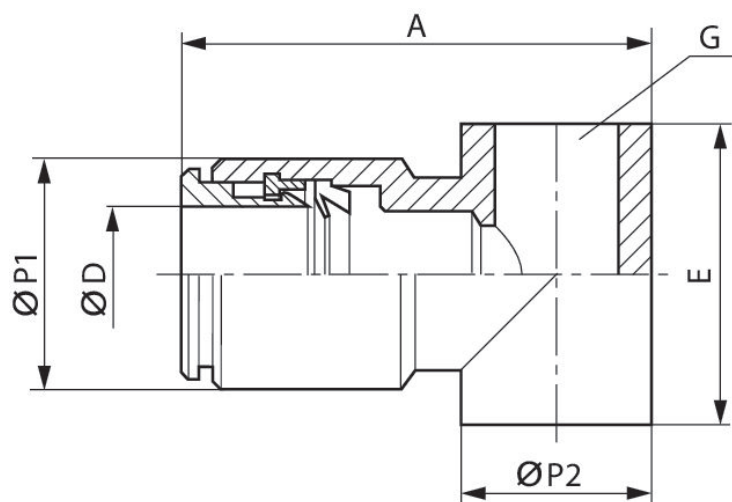
Ambient temperature min./max.: -20 °C ... 150 °C

Working pressure min./max.: -0.95 bar ... 16 bar



G	Ø D	Delivery unit [piece]	Material	Part No.
G 1/8	Ø 4	2	Stainless Steel	R412004973
G 1/8	Ø 6	2	Stainless Steel	R412004974
G 1/8	Ø 8	2	Stainless Steel	R412004975
G 1/4	Ø 6	2	Stainless Steel	R412004976
G 1/4	Ø 8	2	Stainless Steel	R412004977

Dimensions



Part No.	Port D	Port G	A	E	Ø P1	Ø P2
R412004973	Ø 4	G 1/8	27	15	9	14
R412004974	Ø 6	G 1/8	29	15	12	14
R412004975	Ø 8	G 1/8	29.5	15	14	14
R412004976	Ø 6	G 1/4	32.5	17	12	18
R412004977	Ø 8	G 1/4	33	17	14	18

Series QR2-C-RTT, stainless steel

Fitting type: T-union

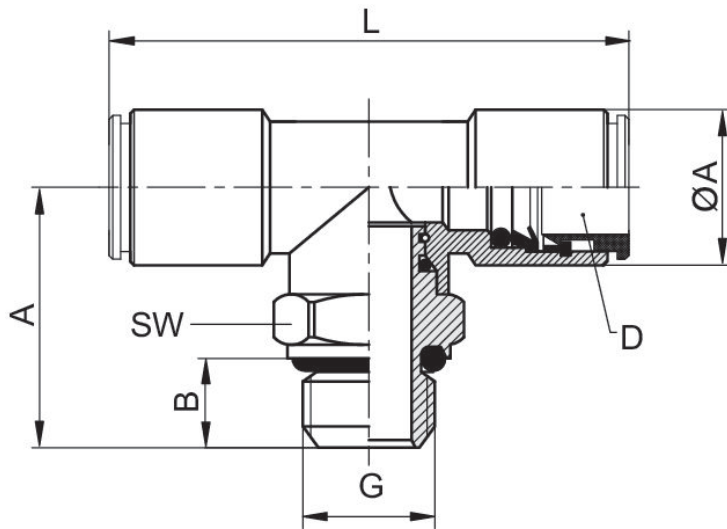
Ambient temperature min./max.: -20 °C ... 150 °C

Working pressure min./max.: -0.95 bar ... 16 bar



G	Ø D	Delivery unit [piece]	Material	Part No.
M5	Ø 4	2	Stainless Steel	R412004889
G 1/8	Ø 4	2	Stainless Steel	R412004904
G 1/8	Ø 6	2	Stainless Steel	R412004905
G 1/8	Ø 8	2	Stainless Steel	R412004906
G 1/4	Ø 6	2	Stainless Steel	R412004907
G 1/4	Ø 8	2	Stainless Steel	R412004908

Dimensions



Part No.	Port D	Port G	A	Ø A	B	C	E	SW
R412004889	Ø 4	M5	18	9	4	15	34	9
R412004904	Ø 4	G 1/8	20	9	5	15	34	13
R412004905	Ø 6	G 1/8	22.5	12	5	16	42	13
R412004906	Ø 8	G 1/8	22.5	14	5	18	43	13
R412004907	Ø 6	G 1/4	24.5	12	6.5	16	42	16
R412004908	Ø 8	G 1/4	24.5	14	6.5	18	43	16

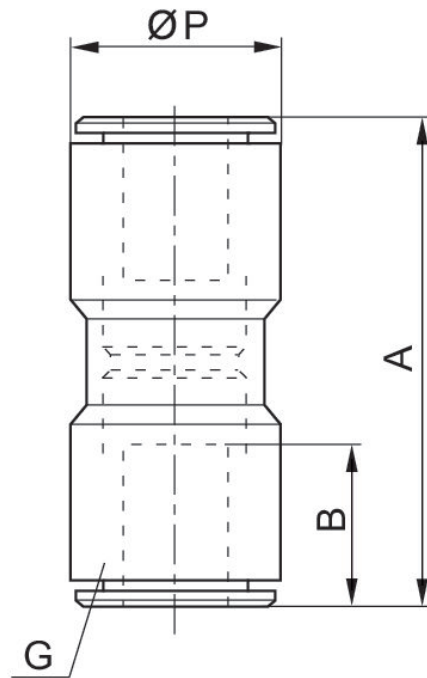
Series QR2-C-RSK, stainless steel

Fitting type: Straight plug connector
 Ambient temperature min./max.: -20 °C ... 150 °C
 Working pressure min./max.: -0.95 bar ... 16 bar



G	Delivery unit [piece]	Material	Part No.
Ø 4	2	Stainless Steel	R412004982
Ø 6	2	Stainless Steel	R412004983
Ø 8	2	Stainless Steel	R412004984
Ø 10	2	Stainless Steel	R412004985
Ø 12	2	Stainless Steel	R412004986

Dimensions



Part No.	Port G	A	B	Ø P
R412004982	$\text{Ø } 4$	30	15	9
R412004983	$\text{Ø } 6$	33	16	11
R412004984	$\text{Ø } 8$	37	18	13
R412004985	$\text{Ø } 10$	37	19	15
R412004986	$\text{Ø } 12$	39	20	17

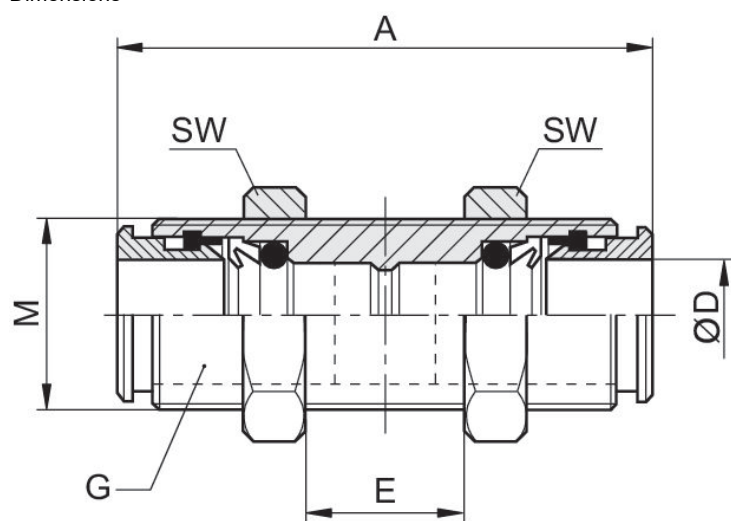
Series QR2-C-RSM, stainless steel

Fitting type: Bulkhead push-in fitting, metal
Ambient temperature min./max.: -20 °C ... 150 °C
Working pressure min./max.: -0.95 bar ... 16 bar



G	Ø D	Delivery unit [piece]	Material	Part No.
Ø 4	Ø 4	2	Stainless Steel	2544404000
Ø 6	Ø 6	2	Stainless Steel	2544406000
Ø 8	Ø 8	2	Stainless Steel	2544408000
Ø 10	Ø 10	2	Stainless Steel	2544410000
Ø 12	Ø 12	2	Stainless Steel	2544412000

Dimensions



Part No.	Port D	Port G	M	A	C	E 1)	SW
2544404000	Ø 4	Ø 4	M12x1	27	13.5	11	15
2544406000	Ø 6	Ø 6	M14x1	32.5	16.2	16	17
2544408000	Ø 8	Ø 8	M16x1	33	16.5	17	19
2544410000	Ø 10	Ø 10	M18x1	37.5	18.7	19	21
2544412000	Ø 12	Ø 12	M20x1	39.5	19.7	20	24

1) max.

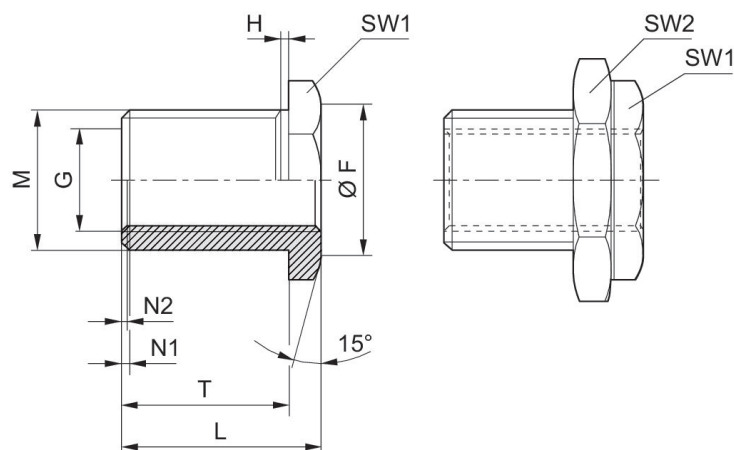
Series QR2-C-RSG, stainless steel

Fitting type: Bulkhead connector with external thread
Ambient temperature min./max.: -20 °C ... 150 °C
Working pressure min./max.: -0.95 bar ... 16 bar



G	Delivery unit [piece]	Material	Part No.
G 1/2	1	Stainless Steel	R415009442
G 1/8	2	Stainless Steel	R412004961
G 1/4	2	Stainless Steel	R412004962
G 3/8	2	Stainless Steel	R412004963

Dimensions



Part No.	Port G	M	L	T	N1	N2	H	Ø F	SW1
R412004961	G 1/8	M16x1,5	18	14	1x45	0,5x45	1	18	19
R412004962	G 1/4	M20x1,5	25	21	1x45	1x45	2	23	24
R412004963	G 3/8	M26x1,5	26	21	1x45	1x45	2	29	30
R415009442	G 1/2	M28x1,5	33	27	1x45	1x45	2	31	32

Part No.	SW2
R412004961	22
R412004962	27
R412004963	32
R415009442	36

Series QR2-C-RVK, stainless steel

Fitting type: Angled plug connector

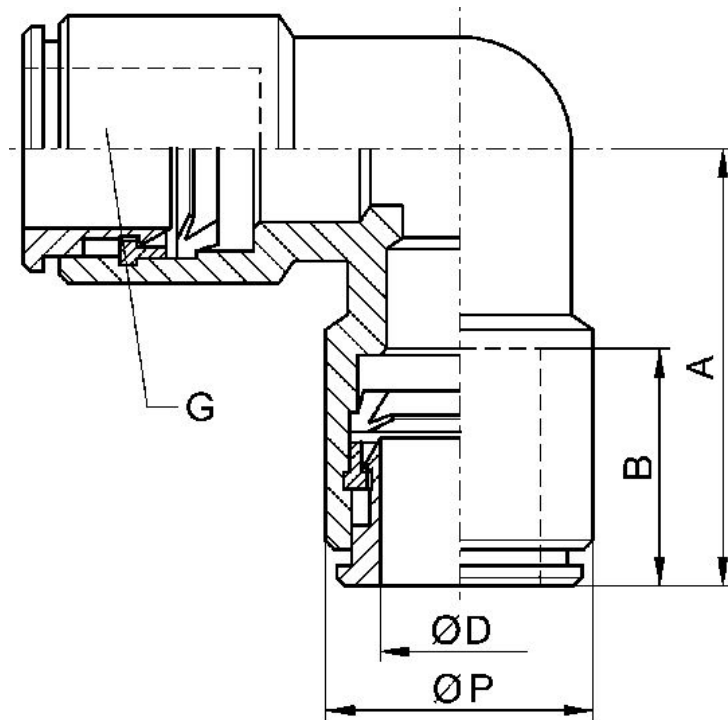
Ambient temperature min./max.: -20 °C ... 150 °C

Working pressure min./max.: -0.95 bar ... 16 bar



G	Ø D	Delivery unit [piece]	Material	Part No.
Ø 4	Ø 4	2	Stainless Steel	2544204000
Ø 6	Ø 6	2	Stainless Steel	2544206000
Ø 8	Ø 8	2	Stainless Steel	2544208000
Ø 10	Ø 10	2	Stainless Steel	2544210000
Ø 12	Ø 12	2	Stainless Steel	2544212000

Dimensions



Part No.	Port D	Port G	A	B*	Ø P
2544204000	Ø 4	Ø 4	17	15	9
2544206000	Ø 6	Ø 6	20	16	12
2544208000	Ø 8	Ø 8	21	18	14
2544210000	Ø 10	Ø 10	25	19	16
2544212000	Ø 12	Ø 12	27	20	18

* Insertion depth

Series QR2-C-RTK, stainless steel

Fitting type: T-plug connector

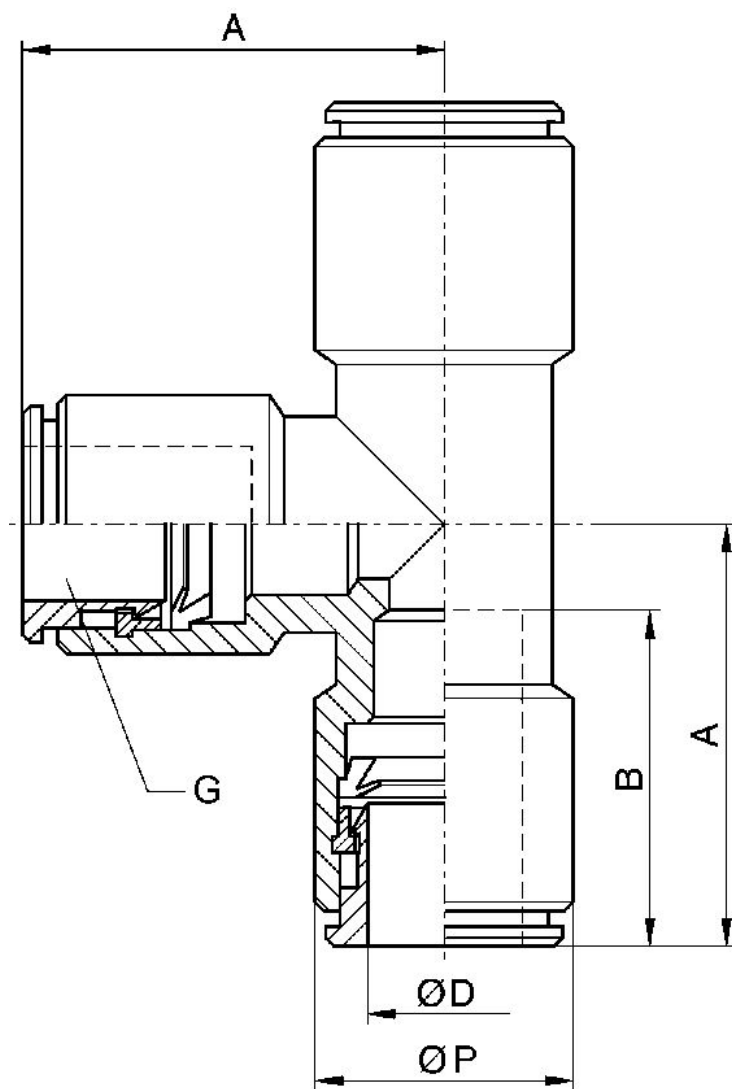
Ambient temperature min./max.: -20 °C ... 150 °C

Working pressure min./max.: -0.95 bar ... 16 bar



G	Ø D	Delivery unit [piece]	Material	Part No.
Ø 4	Ø 4	2	Stainless Steel	2544304000
Ø 6	Ø 6	2	Stainless Steel	2544306000
Ø 8	Ø 8	2	Stainless Steel	2544308000
Ø 10	Ø 10	2	Stainless Steel	2544310000
Ø 12	Ø 12	2	Stainless Steel	2544312000

Dimensions



Part No.	Port D	Port G	A	B	Ø P
2544304000	Ø 4	Ø 4	17	15	9
2544306000	Ø 6	Ø 6	20	16	12
2544308000	Ø 8	Ø 8	21	18	14
2544310000	Ø 10	Ø 10	25	19	16
2544312000	Ø 12	Ø 12	27	20	18

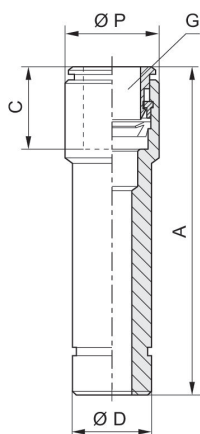
Series QR2-C-RED, stainless steel

Fitting type: Straight push-in fitting, reducing
Ambient temperature min./max.: -20 °C ... 150 °C
Working pressure min./max.: -0.95 bar ... 16 bar



G	Ø D	Delivery unit [piece]	Material	Part No.
Ø 4	Ø 6	2	Stainless Steel	2544506040
Ø 6	Ø 8	2	Stainless Steel	2544508060
Ø 8	Ø 10	2	Stainless Steel	2544510080

Dimensions



Part No.	Port D	Port G	A	C*	Ø P
2544506040	Ø 6	Ø 4	27	15	9
2544508060	Ø 8	Ø 6	32.5	16	12
2544510080	Ø 10	Ø 8	33	18	14

* Insertion depth

Series QR2-C-RPN, stainless steel

Fitting type: Straight fitting, conical

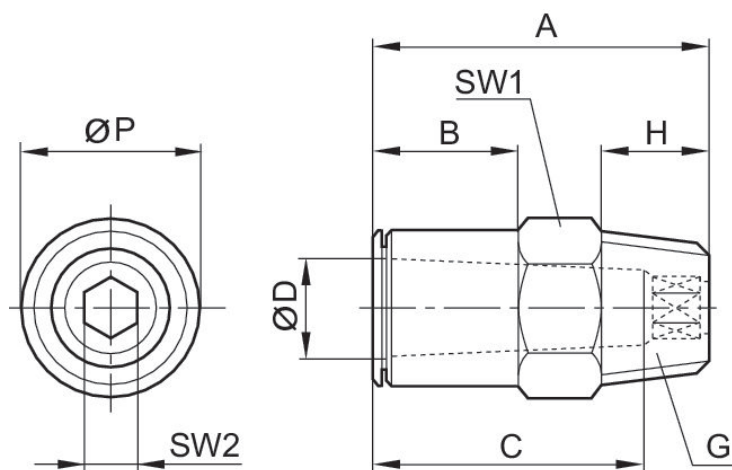
Ambient temperature min./max.: -20 °C ... 150 °C

Working pressure min./max.: -0.95 bar ... 16 bar



G	Ø D	Delivery unit [piece]	Material	Part No.
R 1/8	Ø 4	2	Stainless Steel	2544004180
R 1/8	Ø 6	2	Stainless Steel	2544006180
R 1/8	Ø 8	2	Stainless Steel	2544008180
R 1/4	Ø 4	2	Stainless Steel	2544004140
R 1/4	Ø 6	2	Stainless Steel	2544006140
R 1/4	Ø 8	2	Stainless Steel	2544008140
R 1/4	Ø 10	2	Stainless Steel	2544010140
R 3/8	Ø 10	1	Stainless Steel	2544010380
R 3/8	Ø 12	1	Stainless Steel	2544012380
R 1/2	Ø 12	1	Stainless Steel	2544012120

Dimensions



Part No.	Port D	Port G	A	B	C	H	SW1	SW2	Ø P
2544004180	$\text{Ø } 4$	R 1/8	18	5	15	6.5	10	3	9
2544006180	$\text{Ø } 6$	R 1/8	20.5	6	18	7.5	12	5	11
2544008180	$\text{Ø } 8$	R 1/8	24	11.5	16	7.5	14	6	13
2544004140	$\text{Ø } 4$	R 1/4	21.5	1.5	16	10.5	14	3	9
2544006140	$\text{Ø } 6$	R 1/4	20.5	2.5	15	11	14	5	11
2544008140	$\text{Ø } 8$	R 1/4	22.5	4.5	19	11	14	6	13
2544010140	$\text{Ø } 10$	R 1/4	29.5	11	19	11	16	9	16
2544010380	$\text{Ø } 10$	R 3/8	25.5	6	19	11.5	17	5	16
2544012380	$\text{Ø } 12$	R 3/8	31.5	11	20	11.5	19	10	18
2544012120	$\text{Ø } 12$	R 1/2	31.5	8.5	20	14	22	10	18

Series QR2-C-RVT , stainless steel

Fitting type: Elbow fitting, conical

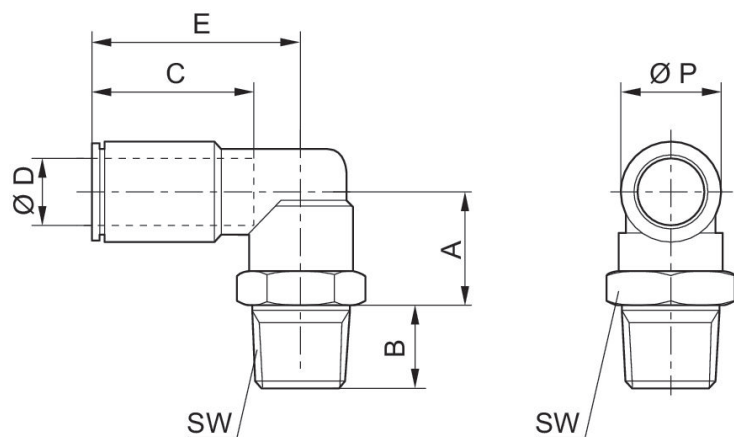
Ambient temperature min./max.: -20 °C ... 150 °C

Working pressure min./max.: -0.95 bar ... 16 bar



G	Ø D	Delivery unit [piece]	Material	Part No.
R 1/8	Ø 4	2	Stainless Steel	2544104180
R 1/8	Ø 6	2	Stainless Steel	2544106180
R 1/8	Ø 8	2	Stainless Steel	2544108180
R 1/4	Ø 4	2	Stainless Steel	2544104140
R 1/4	Ø 6	2	Stainless Steel	2544106140
R 1/4	Ø 8	2	Stainless Steel	2544108140
R 1/4	Ø 10	2	Stainless Steel	2544110140
R 3/8	Ø 10	1	Stainless Steel	2544110380
R 3/8	Ø 12	1	Stainless Steel	2544112380
R 1/2	Ø 12	1	Stainless Steel	2544112120

Dimensions



Part No.	Port D	Port G	A	B	C	E	SW	Ø P
2544104180	Ø 4	R 1/8	13	7	15	20	13	9
2544106180	Ø 6	R 1/8	13	7	16	21	13	11
2544108180	Ø 8	R 1/8	13	7	18	24	13	13
2544104140	Ø 4	R 1/4	14	11	15	20	14	9
2544106140	Ø 6	R 1/4	14	11	16	21	14	11
2544108140	Ø 8	R 1/4	14	11	18	24	14	13
2544110140	Ø 10	R 1/4	14.5	11	17	26.5	16	16
2544110380	Ø 10	R 3/8	15.5	11.5	17	25.5	17	16
2544112380	Ø 12	R 3/8	19	11.5	18.5	28	20	18
2544112120	Ø 12	R 1/2	19.5	14	18.5	28	22	18

Series QR2-C-RTT, stainless steel

Fitting type: T-union, conical

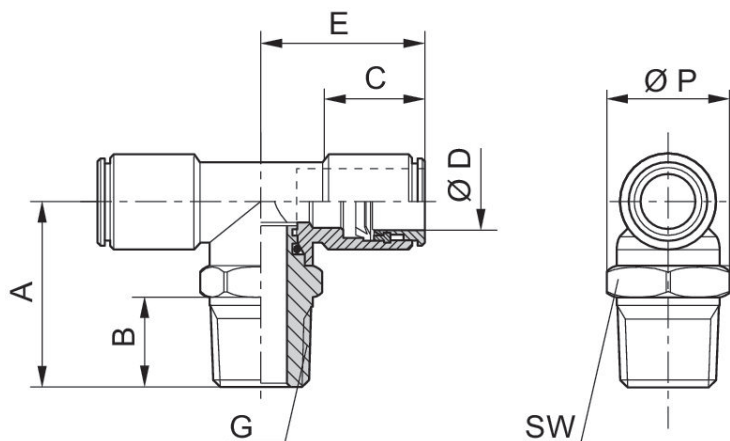
Ambient temperature min./max.: -20 °C ... 150 °C

Working pressure min./max.: -0.95 bar ... 16 bar



G	Ø D	Delivery unit [piece]	Material	Part No.
R 1/8	Ø 4	2	Stainless Steel	R412004968
R 1/8	Ø 6	2	Stainless Steel	R412004969
R 1/8	Ø 8	2	Stainless Steel	R412004970
R 1/4	Ø 6	2	Stainless Steel	R412004971
R 1/4	Ø 8	2	Stainless Steel	R412004972
R 1/4	Ø 10	2	Stainless Steel	R412004909
R 3/8	Ø 10	1	Stainless Steel	R412004910

Dimensions



Part No.	Port D	Port G	A	B	C	E	SW	Ø P
R412004968	Ø 4	R 1/8	21.5	7.5	15	17	10	9
R412004969	Ø 6	R 1/8	24.5	7.5	16	21	13	12
R412004970	Ø 8	R 1/8	24.5	7.5	18	21.5	13	14
R412004971	Ø 6	R 1/4	28.5	11	16	21	14	12
R412004972	Ø 8	R 1/4	28.5	11	18	21.5	14	14
R412004909	Ø 10	R 1/4	32	11	19	25	16	16
R412004910	Ø 10	R 3/8	32.5	11.5	19	25	18	16

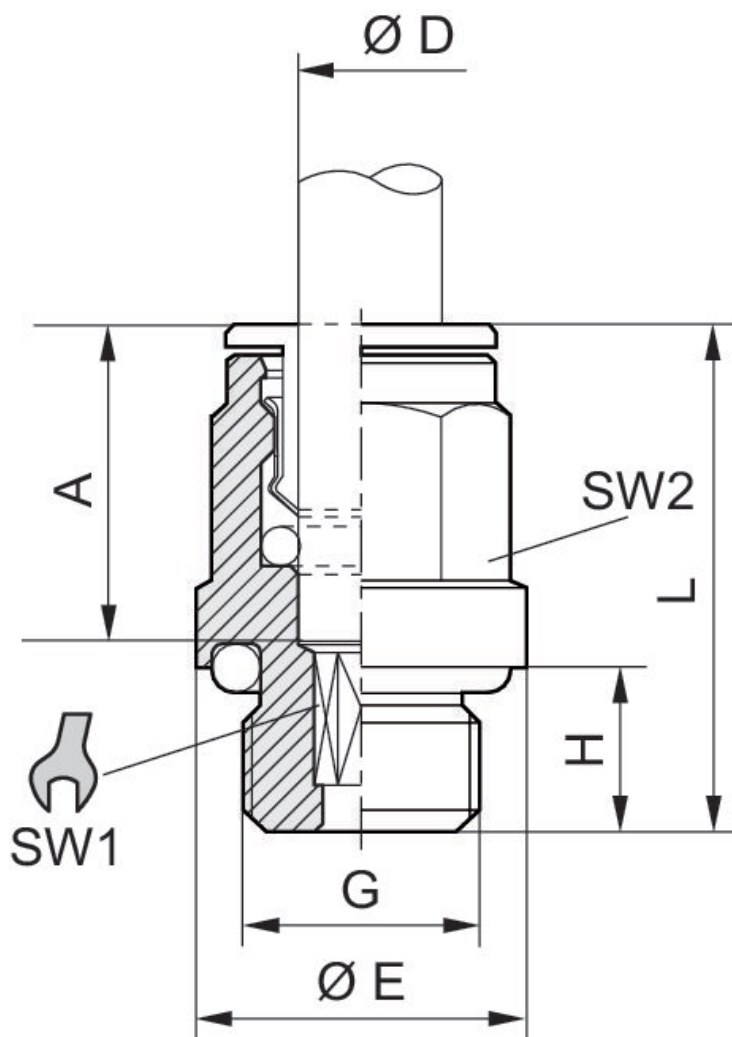
Series QR2-F-RPN Heat-resistant

Fitting type: Straight fitting
 Compressed air connection type: External thread
 Compressed air connection 2: Push-in fitting
 Ambient temperature min./max.: -20 °C ... 150 °C
 Working pressure min./max.: -0.95 bar ... 16 bar



G	Ø D	Delivery unit [piece]	Material	Part No.
M5	Ø 4	25	Brass	1823373089
M5	Ø 6	25	Brass	1823373090
G 1/8	Ø 4	25	Brass	1823373091
G 1/8	Ø 6	25	Brass	1823373092
G 1/8	Ø 8	25	Brass	1823373093
G 1/4	Ø 4	25	Brass	1823373094
G 1/4	Ø 6	25	Brass	1823373095
G 1/4	Ø 8	10	Brass	1823373096
G 1/4	Ø 10	10	Brass	1823373097
G 1/4	Ø 12	10	Brass	R412007625
G 3/8	Ø 8	10	Brass	1823373098
G 3/8	Ø 10	10	Brass	1823373099
G 1/2	Ø 12	10	Brass	R412007730

Dimensions



Part No.	Port D	Port G	$\varnothing E$	H	L	A Insertion depth	SW1	SW2
1823373089	$\varnothing 4$	M5	9	4	20.5	15	2.5	–
1823373090	$\varnothing 6$	M5	10.5	4	22.5	16	2.5	–
1823373091	$\varnothing 4$	G 1/8	13.5	6	20	15	2.5	9
1823373092	$\varnothing 6$	G 1/8	13.5	6	24	16	4	11
1823373093	$\varnothing 8$	G 1/8	13	6	26.5	18	5	13
1823373094	$\varnothing 4$	G 1/4	17	8	21	15	2.5	9
1823373095	$\varnothing 6$	G 1/4	17	6.5	22.5	15	4	11
1823373096	$\varnothing 8$	G 1/4	17	8	25	18	6	13
1823373097	$\varnothing 10$	G 1/4	16	8	29.5	19	7	16
R412007625	$\varnothing 12$	G 1/4	16	6.5	30	19	7	18
1823373098	$\varnothing 8$	G 3/8	20	9	25	18	6	13
1823373099	$\varnothing 10$	G 3/8	21	9	29.5	19	8	16
R412007730	$\varnothing 12$	G 1/2	24	11	31	20	10	18

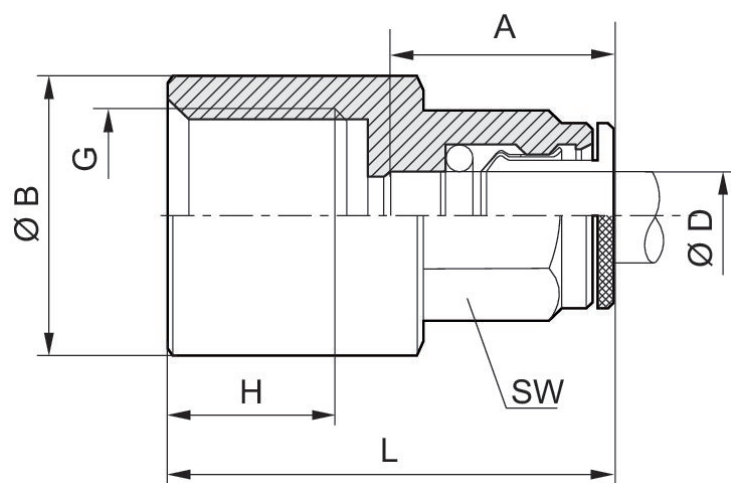
Series QR2-F-RAI Heat-resistant

Fitting type: Straight female stud fitting
 Compressed air connection type: Internal thread
 Compressed air connection 2: Push-in fitting
 Ambient temperature min./max.: -20 °C ... 150 °C
 Working pressure min./max.: -0.95 bar ... 16 bar



G	Ø D	Delivery unit [piece]	Material	Part No.
G 1/8	Ø 4	10	Brass	1823391857
G 1/8	Ø 6	10	Brass	1823391858
G 1/8	Ø 8	10	Brass	1823391859
G 1/4	Ø 6	10	Brass	1823391860
G 1/4	Ø 8	10	Brass	1823391861

Dimensions



Part No.	Port D	Port G	Ø B	H	L	A Insertion depth	SW
1823391857	Ø 4	G 1/8	11	6	26.5	15	9
1823391858	Ø 6	G 1/8	11	6	27	16	11
1823391859	Ø 8	G 1/8	11	6	28	18	13
1823391860	Ø 6	G 1/4	16	10	31	16	11
1823391861	Ø 8	G 1/4	16	10	32	18	13

Series QR2-F-RVT Heat-resistant

Fitting type: Elbow fitting, rotatable

Compressed air connection type: External thread

Compressed air connection 2: Push-in fitting

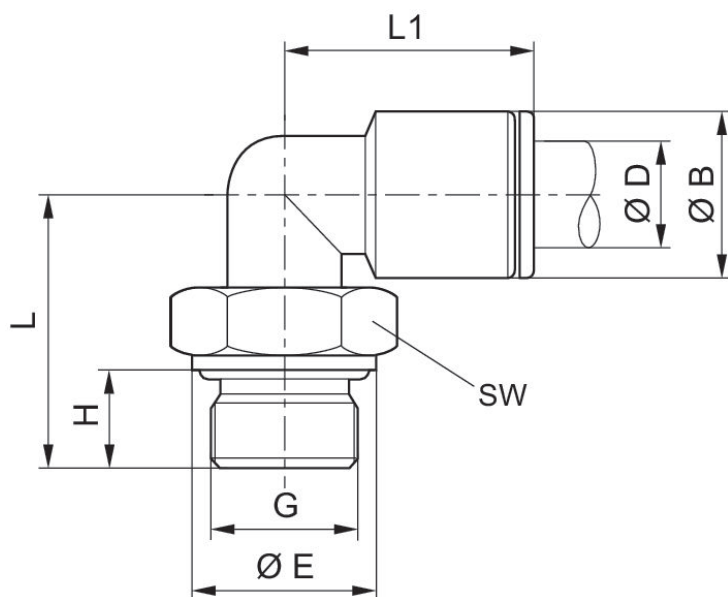
Ambient temperature min./max.: -20 °C ... 150 °C

Working pressure min./max.: -0.95 bar ... 16 bar



G	Ø D	Delivery unit [piece]	Material	Part No.
M5	Ø 4	10	Brass	1823391870
M5	Ø 6	10	Brass	R412007681
G 1/8	Ø 4	10	Brass	1823391871
G 1/8	Ø 6	10	Brass	1823391872
G 1/8	Ø 8	10	Brass	1823391873
G 1/4	Ø 6	10	Brass	1823391874
G 1/4	Ø 8	10	Brass	1823391875
G 1/4	Ø 10	10	Brass	1823391876
G 1/4	Ø 12	5	Brass	R412007624
G 3/8	Ø 8	5	Brass	1823391877
G 3/8	Ø 10	5	Brass	1823391878
G 3/8	Ø 12	5	Brass	R412007623
G 1/2	Ø 12	5	Brass	R412007731

Dimensions



Part No.	Port D	Port G	Ø B	Ø E	H	L	L1	A Insertion depth	SW
1823391870	Ø 4	M5	9	8	4	15.1	18.2	14	9
R412007681	Ø 6	M5	11	8	4	14.5	21	16	9
1823391871	Ø 4	G 1/8	9	13	6	20	19	15	13
1823391872	Ø 6	G 1/8	11	13	6	20	21	16	13
1823391873	Ø 8	G 1/8	13	13	6	20	23	16	13
1823391874	Ø 6	G 1/4	11	16	8	24	21	18	13
1823391875	Ø 8	G 1/4	13	16	8	24	24	18	13
1823391876	Ø 10	G 1/4	15	16	8	24	27	19	16
R412007624	Ø 12	G 1/4	17	16	8	28.5	28	20	16
1823391877	Ø 8	G 3/8	13	20	9	25.5	24	18	13
1823391878	Ø 10	G 3/8	15	20	9	28	27	19	16
R412007623	Ø 12	G 3/8	17	20	9	28.5	28	20	20
R412007731	Ø 12	G 1/2	17	25	11	33.5	28	20	20

Series QR2-F-RW1 Heat-resistant

Fitting type: 1x banjo union

Compressed air connection type: Internal thread

Compressed air connection 2: Push-in fitting

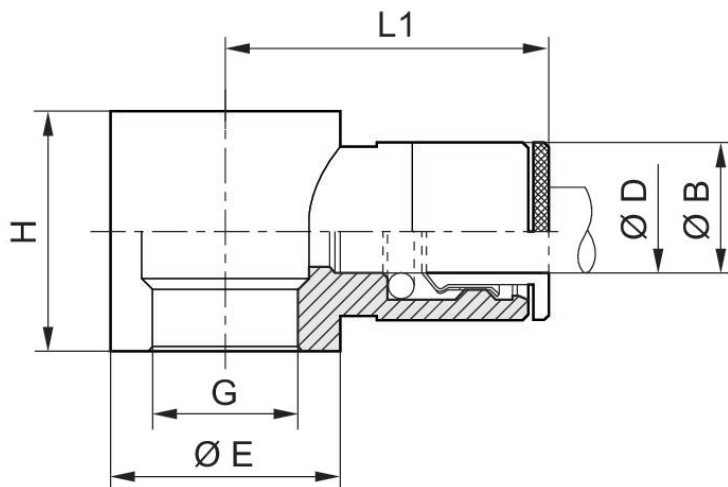
Ambient temperature min./max.: -20 °C ... 150 °C

Working pressure min./max.: -0.95 bar ... 16 bar



G	Ø D	Delivery unit [piece]	Material	Part No.
M5	Ø 4	10	Brass	1823391862
G 1/8	Ø 4	10	Brass	1823391863
G 1/8	Ø 6	10	Brass	1823391864
G 1/8	Ø 8	10	Brass	1823391865
G 1/4	Ø 6	10	Brass	1823391866
G 1/4	Ø 8	10	Brass	1823391867
G 1/4	Ø 10	5	Brass	1823391868

Dimensions



Part No.	Port D	Port G	Ø B	Ø E	H	L1
1823391862	Ø 4	M5	9	7	9	18.5
1823391863	Ø 4	G 1/8	9	14	15	21
1823391864	Ø 6	G 1/8	11	14	15	23
1823391865	Ø 8	G 1/8	13	14	15	24.5
1823391866	Ø 6	G 1/4	11	18	17	24
1823391867	Ø 8	G 1/4	13	18	17	26
1823391868	Ø 10	G 1/4	15	18	17	27

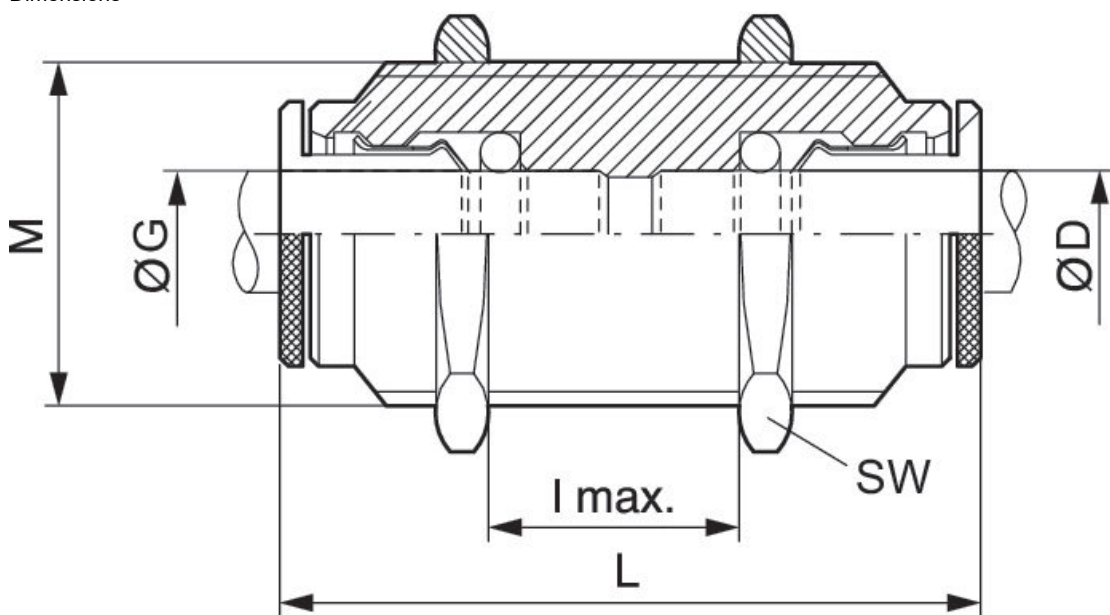
Series QR2-F-RSM Heat-resistant

Fitting type: Bulkhead push-in fitting, metal
 Compressed air connection type: Push-in fitting
 Compressed air connection 2: Push-in fitting
 Ambient temperature min./max.: -20 °C ... 150 °C
 Working pressure min./max.: -0.95 bar ... 16 bar



G	Ø D	Delivery unit [piece]	Material	Part No.
Ø 6	Ø 6	10	Brass	R412007629
Ø 8	Ø 8	10	Brass	R412007628
Ø 10	Ø 10	10	Brass	R412007627
Ø 12	Ø 12	5	Brass	R412007626

Dimensions



Part No.	Port D	Port G	M	I max.	L	SW
R412007626	Ø 12	Ø 12	M20x1	17	42	24
R412007627	Ø 10	Ø 10	M17x1	12	39.5	20
R412007628	Ø 8	Ø 8	M16x1	10	37	18
R412007629	Ø 6	Ø 6	M14x1	8	33.5	17

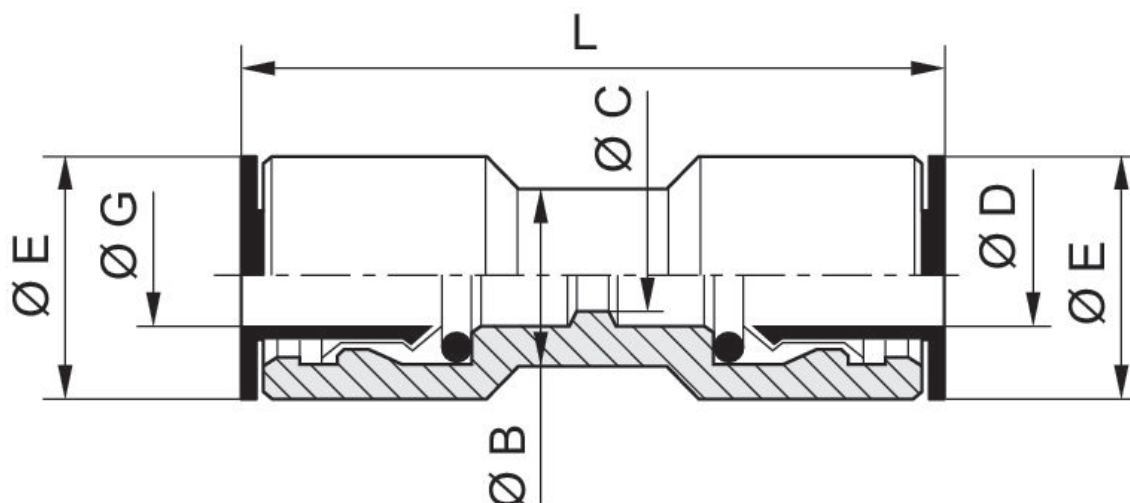
Series QR2-F-RSK Heat-resistant

Fitting type: Straight plug connector
 Compressed air connection type: Push-in fitting
 Compressed air connection 2: Push-in fitting
 Ambient temperature min./max.: -20 °C ... 150 °C
 Working pressure min./max.: -0.95 bar ... 16 bar



G	Ø D	Delivery unit [piece]	Material	Part No.
Ø 4	Ø 4	10	Brass	1823386100
Ø 6	Ø 6	10	Brass	1823386101
Ø 8	Ø 8	10	Brass	1823386102
Ø 10	Ø 10	10	Brass	1823386103

Dimensions



Part No.	Port D	Port G	Ø B	Ø C	Ø E	L
1823386100	Ø 4	Ø 4	7	3	9	30
1823386101	Ø 6	Ø 6	10	5	11	31.5
1823386102	Ø 8	Ø 8	12	7	13	36
1823386103	Ø 10	Ø 10	13	9	15	37

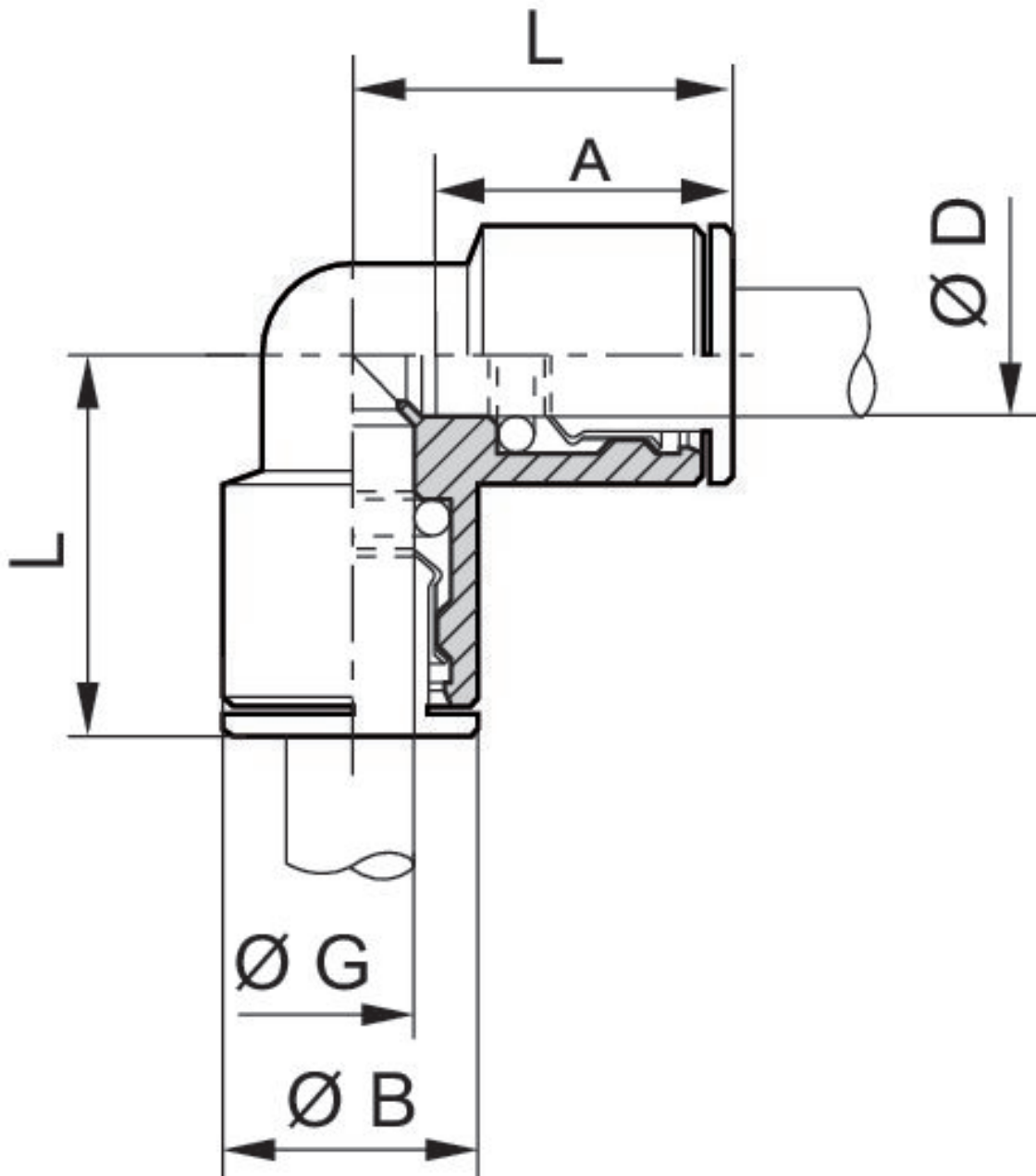
Series QR2-F-RVK Heat-resistant

Fitting type: Angled plug connector
 Compressed air connection type: Push-in fitting
 Compressed air connection 2: Push-in fitting
 Ambient temperature min./max.: -20 °C ... 150 °C
 Working pressure min./max.: -0.95 bar ... 16 bar



G	Ø D	Delivery unit [piece]	Material	Part No.
Ø 4	Ø 4	10	Brass	1823380019
Ø 6	Ø 6	10	Brass	1823380020
Ø 8	Ø 8	10	Brass	1823380021
Ø 10	Ø 10	10	Brass	1823380022

Dimensions



Part No.	Port D	Port G	Ø B	L	A Insertion depth
1823380019	Ø 4	Ø 4	9	17.5	14
1823380020	Ø 6	Ø 6	11	19.5	16
1823380021	Ø 8	Ø 8	13	23	18
1823380022	Ø 10	Ø 10	15	25	19

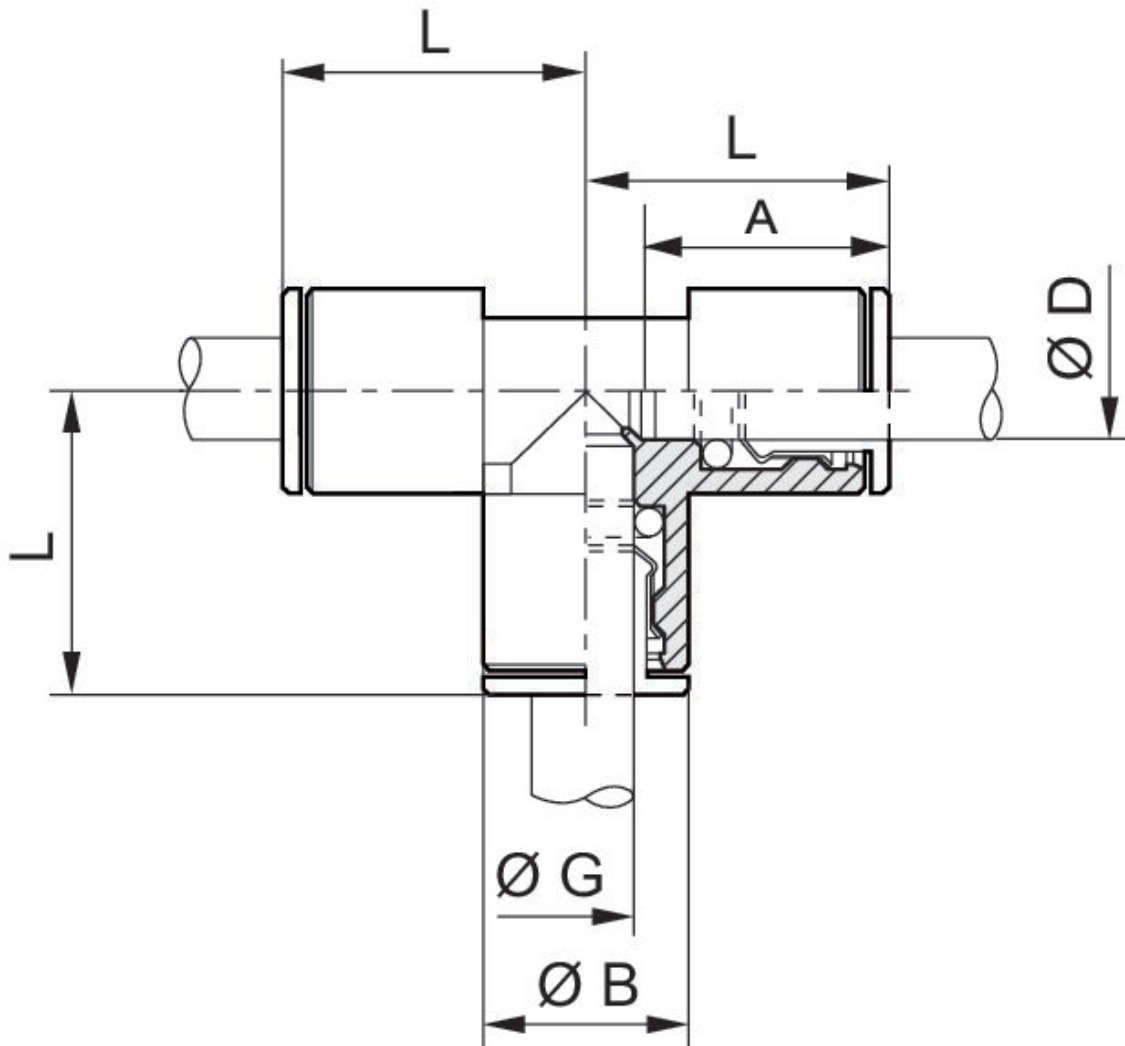
Series QR2-F-RTK Heat-resistant

Fitting type: T-plug connector
 Compressed air connection type: Push-in fitting
 Compressed air connection 2: Push-in fitting
 Ambient temperature min./max.: -20 °C ... 150 °C
 Working pressure min./max.: -0.95 bar ... 16 bar



G	Ø D	Delivery unit [piece]	Material	Part No.
Ø 4	Ø 4	10	Brass	1823381050
Ø 6	Ø 6	10	Brass	1823381051
Ø 8	Ø 8	10	Brass	1823381052
Ø 10	Ø 10	10	Brass	1823381053
Ø 12	Ø 12	10	Brass	R412007732

Dimensions



Part No.	Port D	Port G	Ø B	L	A Insertion depth
1823381050	Ø 4	Ø 4	9	17.5	15
1823381051	Ø 6	Ø 6	11	19.5	16
1823381052	Ø 8	Ø 8	13	23	18
1823381053	Ø 10	Ø 10	15	25	19
R412007732	Ø 12	Ø 12	17	27	20

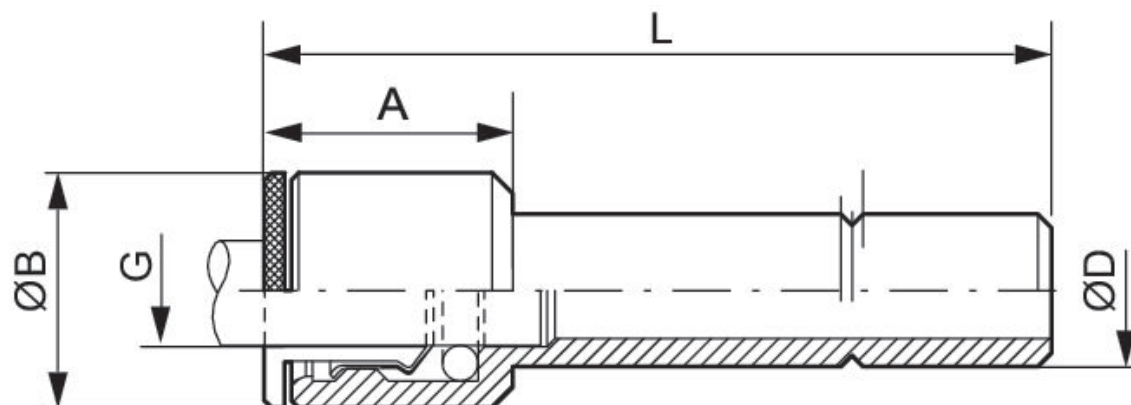
Series QR2-F-RED Heat-resistant

Fitting type: Straight push-in fitting, reducing
 Compressed air connection type: Push-in fitting
 Compressed air connection 2: pin bushing
 Ambient temperature min./max.: -20 °C ... 150 °C
 Working pressure min./max.: -0.95 bar ... 16 bar



G	Ø D	Delivery unit [piece]	Material	Part No.
Ø 6	Ø 8	10	Brass	R412007682
Ø 6	Ø 10	10	Brass	R412007683

Dimensions



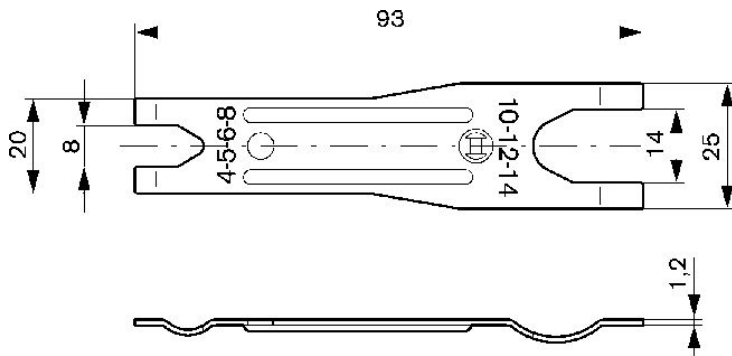
Part No.	Port D	Port G	L	Ø B	A Insertion depth
R412007682	Ø 8	Ø 6	33.5	11	16
R412007683	Ø 10	Ø 6	36.5	11	16

Release tool



Delivery unit [piece]	Part No.
5	1823391651





Release tool



Efficient pneumatic solutions, our program:
cylinders and drives, valves and valve systems,
air supply management, proportional pressure
control valves



Visit us: www.Emerson.com/aventics
Your local contact: Emerson.com/contactus

-  Emerson.com
-  Facebook.com/EmersonAutomationSolutions
-  LinkedIn.com/company/Emerson-Automation-Solutions
-  Twitter.com/EMR_Automation



The Emerson logo is a trademark and service mark of Emerson Electric Co. AVENTICS is a registered trademark of one of the Emerson family of companies. All other trademarks are the property of their respective owners. © 2020 Emerson Electric Co. All rights reserved.



CONSIDER IT SOLVED™