

Series QR1



Series QR1

AVENTICS Series QR1 push-in connectors with easy, secure mounting are available in many versions: for tubing diameters from 3 to 16 mm, as well as in plastic, metal, and stainless steel variants. QR1 Series offers a cylindric thread that allows repeated connection and release without problems (Quick Release) and captive O-ring guarantees an optimal sealing. Our QR program offers the right solution for every application and industry.

- $Q_n = 60 \text{ l/min} \dots 875 \text{ l/min}$
- Due to product optimisation, the delivered article may currently deviate from the dimensions shown.



Product overview

	Page
Metric Elbow fitting	
QR1-S-RVT standard series..... Elbow fitting	8
QR1-S-RVT standard series..... Elbow fitting	12
QR1-S-RVL standard series..... Long elbow fitting	13
QR1-S-RVI standard series..... Elbow screw fitting	16
QR1-S-RW1 standard series..... Swivel banjo connection 1-fold	18
QR1-S-RW1 standard series..... Swivel banjo connection 1-fold	19
QR1-S-RW2 standard series..... Swivel banjo connection 2-fold	21
QR1-S standard series..... Swivel banjo connection 3-fold	23
QR1-S-RW6 standard series..... Swivel banjo connection 3-fold, double	25
QR1-S-RID standard series..... Swivel banjo connection 2-fold, with internal thread	27
Metric	
QR1-S-RAS standard series..... Push-in connector	28
QR1-S-RSI standard series..... Bulkhead connector	31
QR1-S-RTT standard series..... T-union	33
QR1-S-RTS standard series..... T-Banjo connection	36
QR1-S-RLT standard series..... Elbow fitting	37
QR1-S-RAY standard series..... Y-fitting	40
QR1-S-RSK standard series..... Straight plug connector	45
QR1-S-RSR standard series..... Straight plug connector, reducing	47
QR1-S-RSM standard series..... Bulkhead push-in fitting, metal	49
QR1-S-RSC standard series..... Bulkhead plug connector, plastic	50
QR1-S-RVK standard series..... Angled plug connector	52
QR1-S-RVS standard series..... Angled bulkhead connector	54
QR1-S-RMT standard series..... Plug connector, 3x, reducing	55

Product overview

	Page
QR1-S-RTK standard series.....	57
T-plug connector	
QR1-S-RTR standard series.....	59
T-plug connector, reducing	
QR1-S-RYK standard series.....	61
Y-Plug connection	
QR1-S-RYR standard series.....	63
Y-Plug connector, reducing	
QR1-S-RYD standard series.....	65
Y-Plug connector, 2x, reducing	
QR1-S-RXS standard series.....	66
X-Plug connection	
QR1-S-RED standard series.....	67
Straight push-in fitting, reducing	
QR1-S-RVA standard series.....	69
Angled plug-in connector	
QR1-S-RLL standard series.....	71
Angled plug-in connector	
QR1-S-RVR standard series.....	73
Angled plug-in connector	
QR1-S-RTC standard series.....	74
T-push-in fitting	
QR1-S-RY2 standard series.....	75
Y-Push-in fitting	
QR1-S-R2R standard series.....	77
Y-Push-in fitting, reducing	
QR1-S-RY4 standard series.....	79
Y-Push-in fitting, reducing	
QR1-S-RCA standard series.....	80
Sealing cap	
QR1-S-RBS standard series.....	82
Blanking plug	
QR1-S-RDS standard series.....	84
Connection piece	
QR1-S-RDR standard series.....	85
Connection pieces, reducing	
Series QR1-S-MAN Mini.....	87
Straight fitting with hexagon head	
Series QR1-S-MIN Mini.....	89
Straight fitting with hexagon socket	
Series QR1-S-MVT Mini.....	91
Elbow fitting	
Series QR1-S-MVL Mini.....	93
Long elbow fitting	
Series QR1-S-MTT Mini.....	95
T-union	
Series QR1-S-MLT Mini.....	96
Elbow fitting	

Product overview

	Page
Series QR1-S-MSK Mini.....	97
Straight plug connector	
Series QR1-S-MSR Mini.....	98
Straight plug connector, reducing	
Series QR1-S-MSM Mini.....	99
Bulkhead push-in fitting, metal	
Series QR1-S-MVK Mini.....	100
Angled plug connector	
Series QR1-S-MVS Mini.....	101
Angled bulkhead connector	
Series QR1-S-MTK Mini.....	102
T-plug connector	
Series QR1-S-MYK Mini.....	103
Y-Plug connection	
Series QR1-S-MYR Mini.....	104
Y-Plug connector, reducing	
Series QR1-S-MXS Mini.....	105
X-Plug connection	
Series QR1-S-MED Mini.....	106
Straight push-in fitting, reducing	
Series QR1-S-MVA Mini.....	107
Angled plug-in connector	
Series QR1-S-MYZ Mini.....	108
Y-Push-in fitting	
Series QR1-S-M2R Mini.....	109
Y-Push-in fitting, reducing	
Series QR1-S-MBS Mini.....	110
Blanking plug	
Series QR1-S-RVW Mini.....	111
Angled plug-in connector	
Metric Straight fitting	
QR1-S-RPN standard series.....	112
Straight fitting	
QR1-S-RPN standard series.....	113
Straight fitting	
QR1-S-RPN standard series.....	115
Straight fitting	
QR1-S-RAI standard series.....	117
Straight female stud fitting	
Inch	
Series QR1-S-MAN Mini.....	120
Straight fitting with hexagon head	
Series QR1-S-MIN Mini.....	121
Straight fitting with hexagon socket	
Series QR1-S-MAI Mini.....	122
Straight female stud fitting	
Series QR1-S-MVT Mini.....	123
Elbow fitting	

Product overview

	Page
Series QR1-S-MLT Mini.....	125
Elbow fitting	
Series QR1-S-MSK Mini.....	126
Straight plug connector	
Series QR1-S-MSM Mini.....	127
Bulkhead push-in fitting, metal	
Series QR1-S-MVK Mini.....	128
Angled plug connector	
Series QR1-S-MTK Mini.....	129
T-plug connector	
Series QR1-S-MYK Mini.....	130
Y-Plug connector, reducing	
Series QR1-S-MYR Mini.....	131
Y-Plug connector, reducing	
Series QR1-S-MED Mini.....	132
Straight push-in fitting, reducing	
Series QR1-S-MCA Mini.....	133
Sealing cap	
Series QR1-S-MBS Mini.....	134
Blanking plug	
QR1-S-RAI standard series.....	135
Straight female stud fitting	
QR1-S-RBS standard series.....	138
Blanking plug	
QR1-S-RCA standard series.....	139
Sealing cap	
QR1-S-RDR standard series.....	141
Connection pieces, reducing	
QR1-S-RDS standard series.....	142
Connection piece	
QR1-S-RED standard series.....	143
Straight push-in fitting, reducing	
QR1-S-RLL standard series.....	144
Angled plug-in connector, long	
QR1-S-RLT standard series.....	146
Elbow fitting	
QR1-S-RPN standard series.....	148
Straight fitting	
QR1-S-RSI standard series.....	150
Bulkhead connector	
QR1-S-RSK standard series.....	152
Straight plug connector	
QR1-S-RSM standard series.....	153
Bulkhead push-in fitting, metal	
QR1-S-RSR standard series.....	154
Straight plug connector, reducing	
QR1-S-RTK standard series.....	155
T-plug connector	

Product overview

	Page
QR1-S-RTR standard series..... T-plug connector, reducing	156
QR1-S-RTT standard series..... T-union	157
QR1-S-RVA standard series..... Angled plug-in connector	159
QR1-S-RVI standard series..... Elbow screw fitting	161
QR1-S-RVK standard series..... Angled plug connector	163
QR1-S-RVT standard series..... Elbow fitting	165
QR1-S-RYK standard series..... Y-Plug connector, reducing double	167
 Accessories overview	
Release tool.....	170

QR1-S-RVT standard series

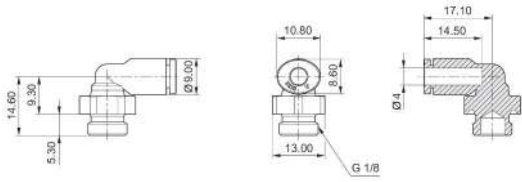
Compressed air connection type: External thread
 Compressed air connection type 2: Push-in fitting
 Ambient temperature min./max.: -20 °C ... 80 °C
 Medium temperature min./max.: -20 °C ... 80 °C
 Working pressure min./max.: -1 bar ... 16 bar



G	Ø D	Delivery unit [piece]	Material	Part No.
G 1/8	Ø 4	10	Polyamide	2122004180
G 1/8	Ø 6	10	Polyamide	2122006180
G 1/8	Ø 8	10	Polyamide	2122008180
G 1/8	Ø 10	10	Polyamide	R412005094
G 1/8	Ø 12	10	Polyamide	R412005095
G 1/4	Ø 4	10	Polyamide	2122004140
G 1/4	Ø 6	10	Polyamide	2122006140
G 1/4	Ø 8	10	Polyamide	2122008140
G 1/4	Ø 10	10	Polyamide	2122010140
G 1/4	Ø 12	10	Polyamide	2122012140
G 3/8	Ø 6	10	Polyamide	R412005092
G 3/8	Ø 8	10	Polyamide	2122008380
G 3/8	Ø 10	10	Polyamide	2122010380
G 3/8	Ø 12	10	Polyamide	2122012380
G 3/8	Ø 14	5	Polyamide	2122014380
G 3/8	Ø 16	5	Polyamide	R412005097
G 1/2	Ø 8	10	Polyamide	R412005093
G 1/2	Ø 10	10	Polyamide	2122010120
G 1/2	Ø 12	10	Polyamide	2122012120
G 1/2	Ø 14	5	Polyamide	2122014120
G 1/2	Ø 16	5	Polyamide	R412005098

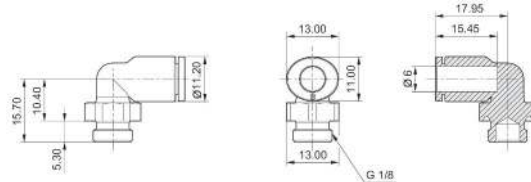
2122004180

Dimensions in mm



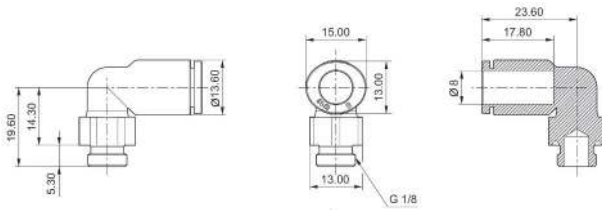
2122006180

Dimensions in mm



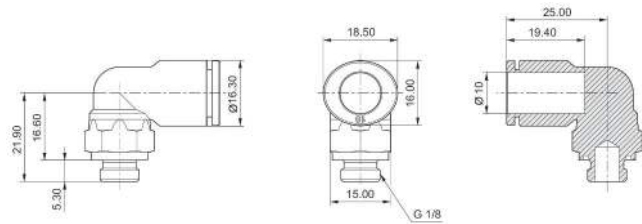
2122008180

Dimensions in mm



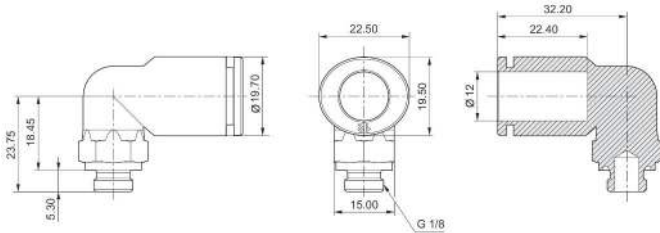
R412005094

Dimensions in mm



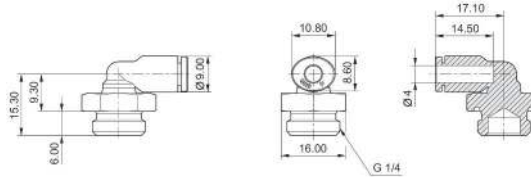
R412005095

Dimensions in mm



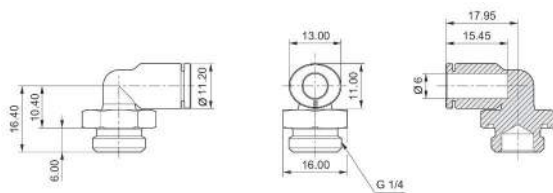
2122004140

Dimensions in mm



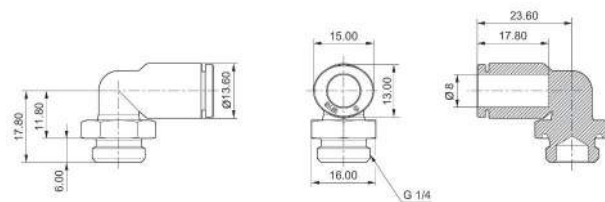
2122006140

Dimensions in mm



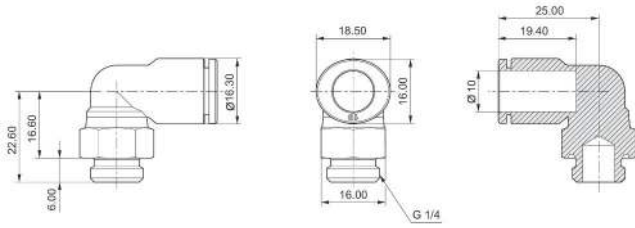
2122008140

Dimensions in mm



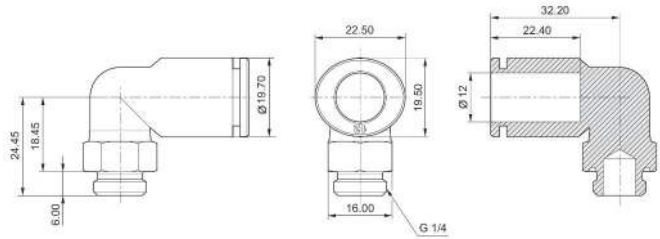
2122010140

Dimensions in mm



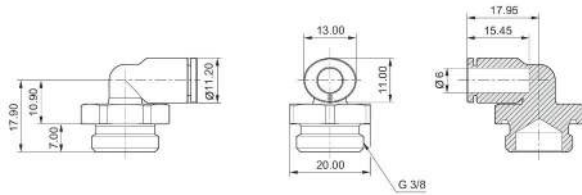
2122012140

Dimensions in mm



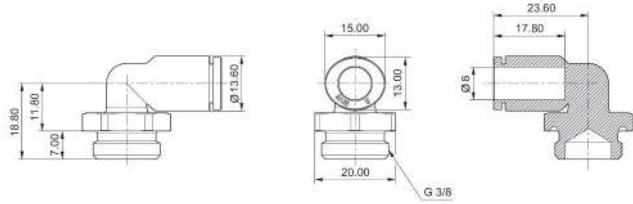
R412005092

Dimensions in mm



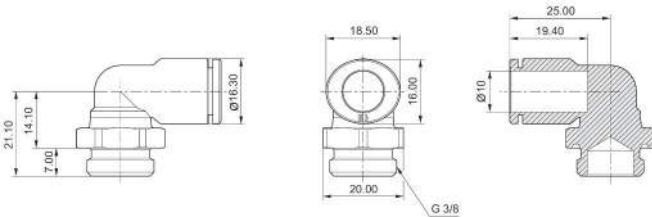
2122008380

Dimensions in mm



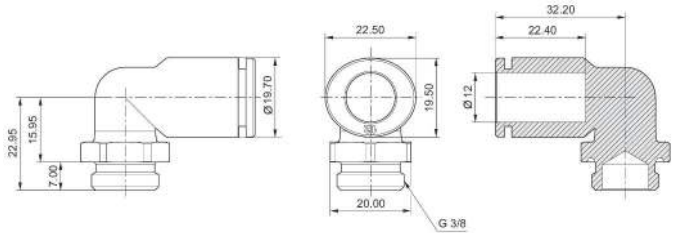
2122010380

Dimensions in mm



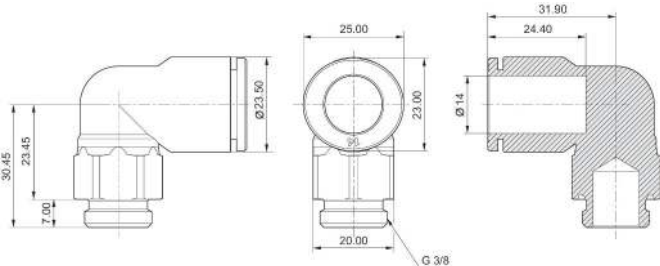
2122012380

Dimensions in mm



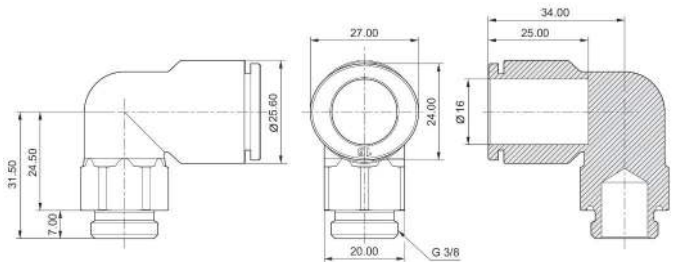
2122014380

Dimensions in mm



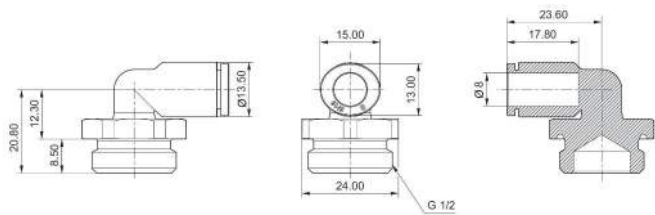
R412005097

Dimensions in mm



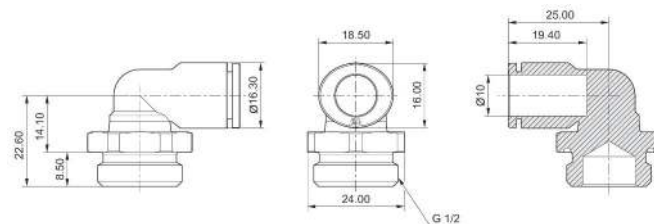
R412005093

Dimensions in mm



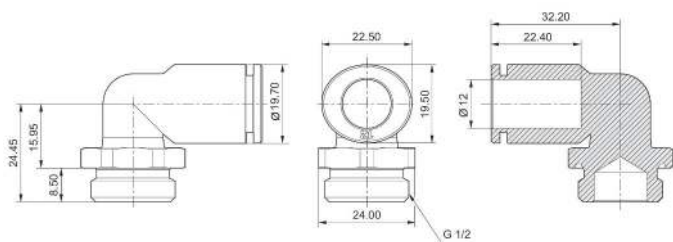
2122010120

Dimensions in mm



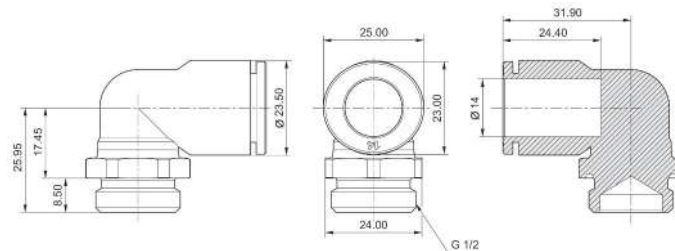
2122012120

Dimensions in mm



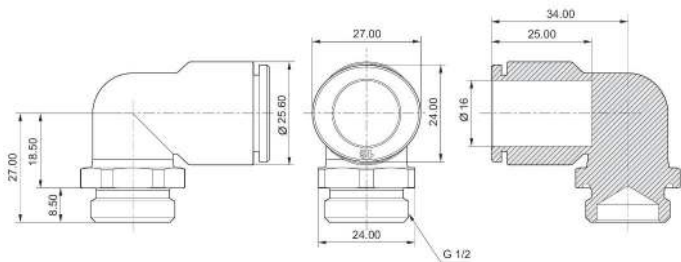
2122014120

Dimensions in mm



R412005098

Dimensions in mm



QR1-S-RVT standard series

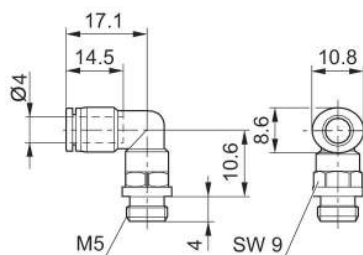
Compressed air connection type: External thread
 Compressed air connection type 2: Push-in fitting
 Ambient temperature min./max.: -20 °C ... 80 °C
 Medium temperature min./max.: -20 °C ... 80 °C
 Working pressure min./max.: -1 bar ... 16 bar



G	Ø D	Delivery unit [piece]	Material	Part No.
M5	Ø 4	10	Polyamide	2122004050
M5	Ø 6	10	Polyamide	2122006050

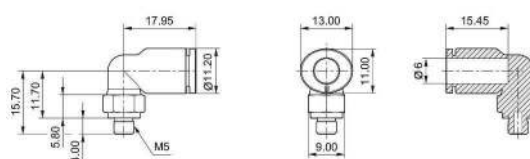
2122004050

Dimensions in mm



2122006050

Dimensions in mm



QR1-S-RVL standard series

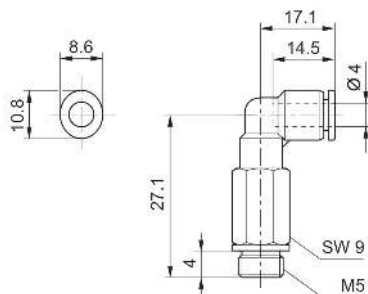
Compressed air connection type: External thread
 Compressed air connection type 2: Push-in fitting
 Ambient temperature min./max.: -20 °C ... 80 °C
 Medium temperature min./max.: -20 °C ... 80 °C
 Working pressure min./max.: -1 bar ... 16 bar



G	Ø D	Delivery unit [piece]	Material	Part No.
M5	Ø 4	10	Polyamide	2122104050
M5	Ø 6	10	Polyamide	R412005099
G 1/8	Ø 4	10	Polyamide	2122104180
G 1/8	Ø 6	10	Polyamide	2122106180
G 1/8	Ø 8	10	Polyamide	2122108180
G 1/4	Ø 4	10	Polyamide	2122104140
G 1/4	Ø 6	10	Polyamide	2122106140
G 1/4	Ø 8	10	Polyamide	2122108140
G 1/4	Ø 10	10	Polyamide	2122110140
G 1/4	Ø 12	10	Polyamide	R412005103
G 3/8	Ø 8	10	Polyamide	2122108380
G 3/8	Ø 10	110	Polyamide	2122110380
G 3/8	Ø 12	10	Polyamide	R412005104
G 1/2	Ø 12	10	Polyamide	R412005105

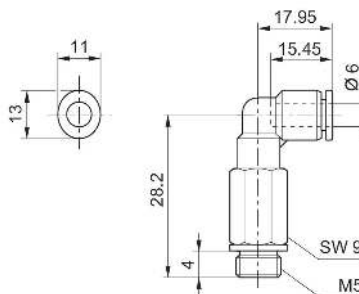
2122104050

Dimensions in mm



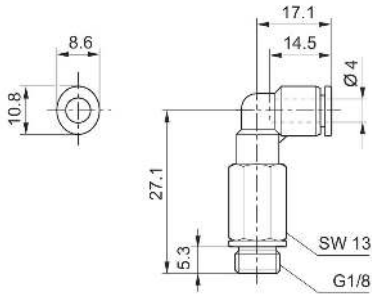
R412005099

Dimensions in mm



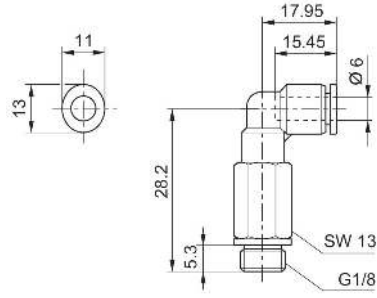
2122104180

Dimensions in mm



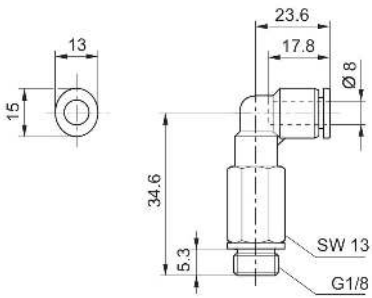
2122106180

Dimensions in mm



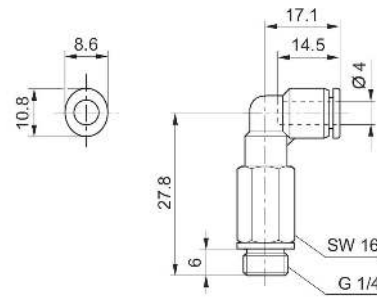
2122108180

Dimensions in mm



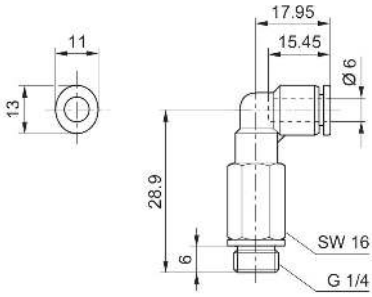
2122104140

Dimensions in mm



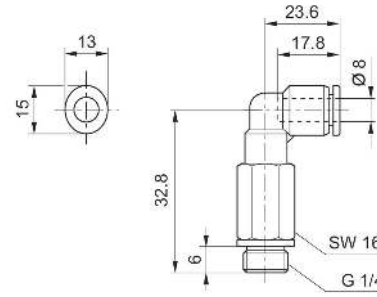
2122106140

Dimensions in mm



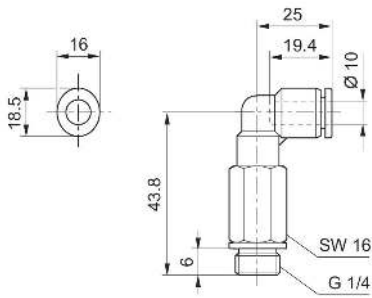
2122108140

Dimensions in mm



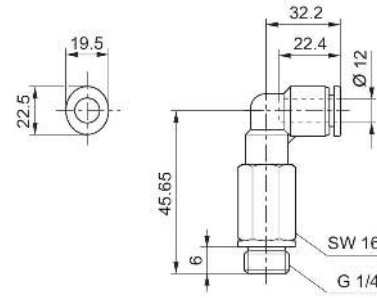
2122110140

Dimensions in mm



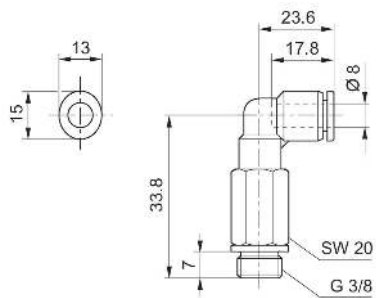
R412005103

Dimensions in mm



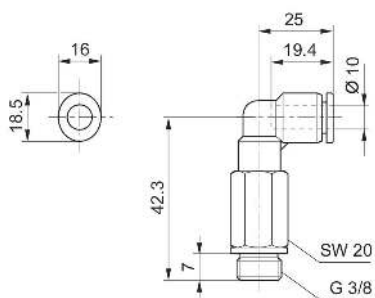
2122108380

Dimensions in mm



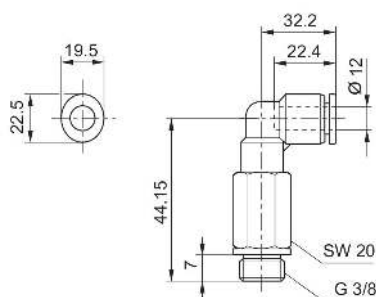
2122110380

Dimensions in mm



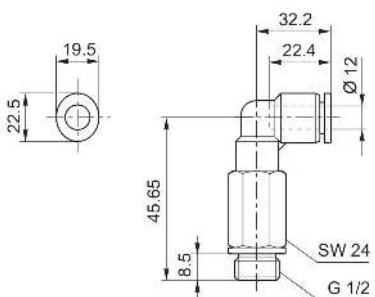
R412005104

Dimensions in mm



R412005105

Dimensions in mm



QR1-S-RVI standard series

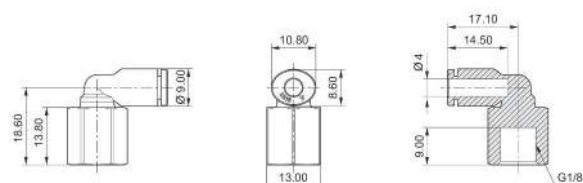
Compressed air connection type: Internal thread
 Compressed air connection type 2: Push-in fitting
 Ambient temperature min./max.: -20 °C ... 80 °C
 Medium temperature min./max.: -20 °C ... 80 °C
 Working pressure min./max.: -1 bar ... 16 bar



G	Ø D	Delivery unit [piece]	Material	Part No.
G 1/8	Ø 4	10	Polyamide	R412005129
G 1/8	Ø 6	10	Polyamide	R412005130
G 1/8	Ø 8	10	Polyamide	R412005131
G 1/4	Ø 4	10	Polyamide	R412005132
G 1/4	Ø 6	10	Polyamide	R412005133
G 1/4	Ø 8	10	Polyamide	R412005134
G 1/4	Ø 10	10	Polyamide	R412005135

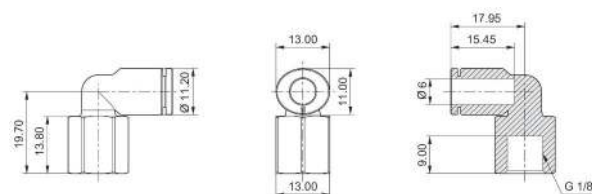
R412005129

Dimensions in mm



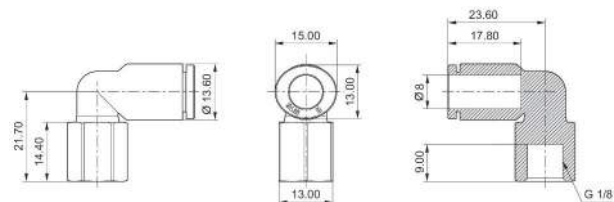
R412005130

Dimensions in mm



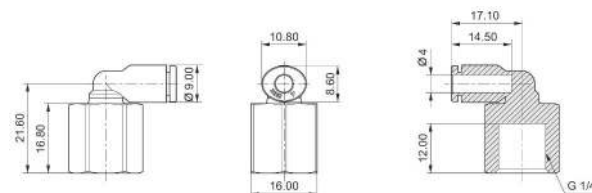
R412005131

Dimensions in mm



R412005132

Dimensions in mm



QR1-S-RW1 standard series

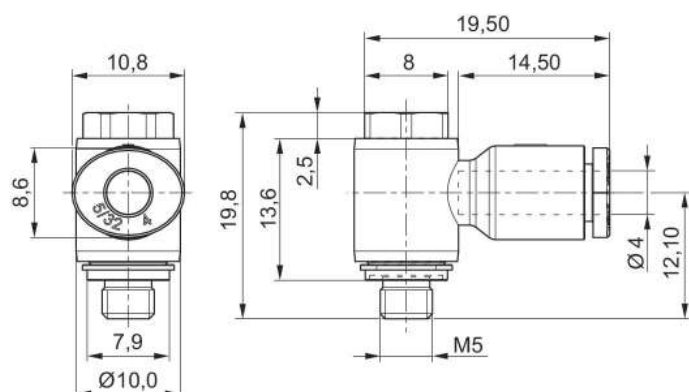
Compressed air connection type: External thread
 Compressed air connection type 2: Push-in fitting
 Ambient temperature min./max.: -20 °C ... 80 °C
 Medium temperature min./max.: -20 °C ... 80 °C
 Working pressure min./max.: -1 bar ... 16 bar



G	Ø D	Delivery unit [piece]	Material	Part No.
M5	Ø 4	10	Polyamide	R412005236
M5	Ø 6	10	Polyamide	R412005238

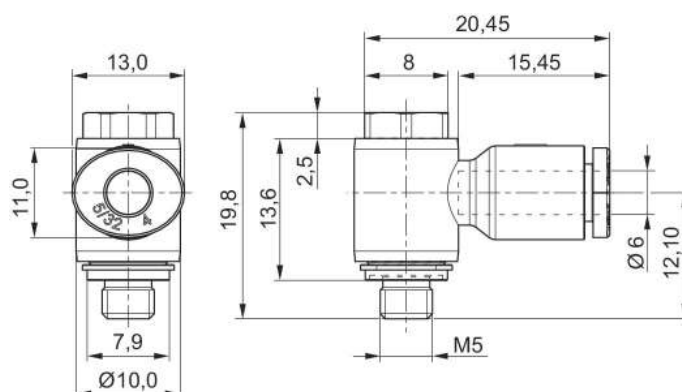
R412005236

Dimensions



R412005238

Dimensions



QR1-S-RW1 standard series

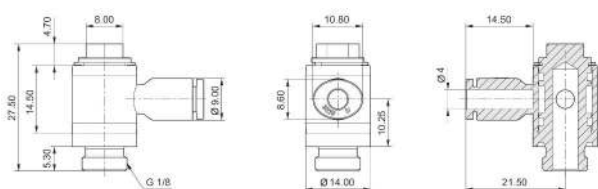
Compressed air connection type: External thread
 Compressed air connection type 2: Push-in fitting
 Ambient temperature min./max.: -20 °C ... 80 °C
 Medium temperature min./max.: -20 °C ... 80 °C
 Working pressure min./max.: -1 bar ... 16 bar



G	Ø D	Delivery unit [piece]	Material	Part No.
G 1/8	Ø 4	10	Polyamide	R412005237
G 1/8	Ø 6	10	Polyamide	R412005239
G 1/8	Ø 8	10	Polyamide	R412005240
G 1/4	Ø 6	10	Polyamide	R412005241
G 1/4	Ø 8	10	Polyamide	R412005242
G 1/4	Ø 10	10	Polyamide	R412005243
G 3/8	Ø 8	5	Polyamide	R412005244
G 3/8	Ø 10	5	Polyamide	R412005245
G 3/8	Ø 12	5	Polyamide	R412005246

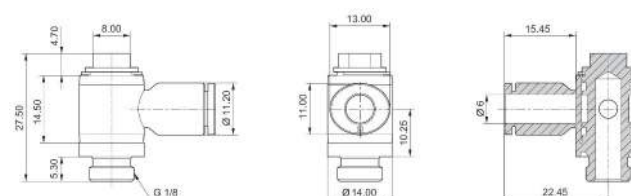
R412005237

Dimensions in mm



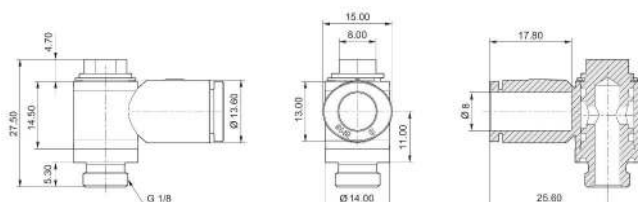
R412005239

Dimensions in mm



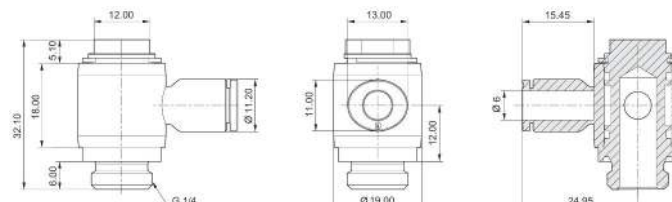
R412005240

Dimensions in mm



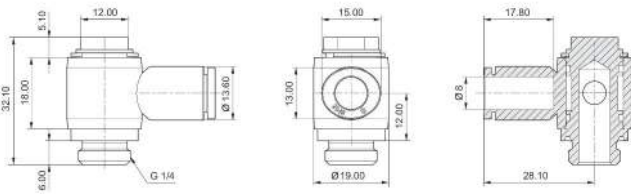
R412005241

Dimensions in mm



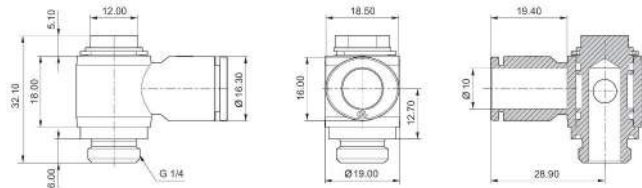
R412005242

Dimensions in mm



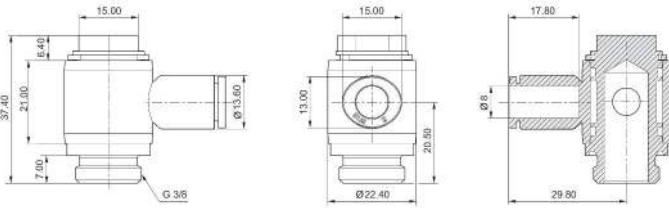
R412005243

Dimensions in mm



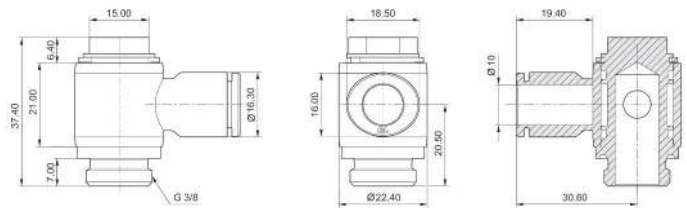
R412005244

Dimensions in mm



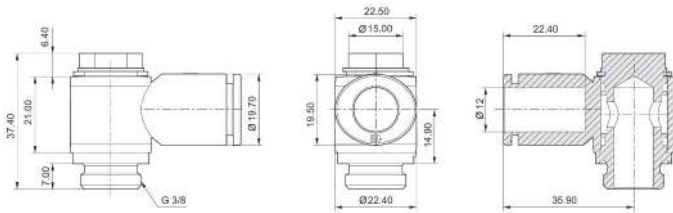
R412005245

Dimensions in mm



R412005246

Dimensions in mm



QR1-S-RW2 standard series

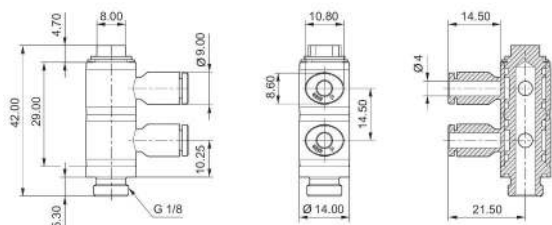
Compressed air connection type: External thread
 Compressed air connection type 2: Push-in fitting
 Ambient temperature min./max.: -20 °C ... 80 °C
 Medium temperature min./max.: -20 °C ... 80 °C
 Working pressure min./max.: -1 bar ... 16 bar



G	Ø D	Delivery unit [piece]	Material	Part No.
G 1/8	Ø 4	10	Polyamide	R412005141
G 1/8	Ø 6	10	Polyamide	R412005144
G 1/8	Ø 8	10	Polyamide	R412005147
G 1/4	Ø 6	10	Polyamide	R412005145
G 1/4	Ø 8	10	Polyamide	R412005148
G 3/8	Ø 8	10	Polyamide	R412005149
G 3/8	Ø 10	5	Polyamide	R412005152
G 1/2	Ø 12	5	Polyamide	R412005155

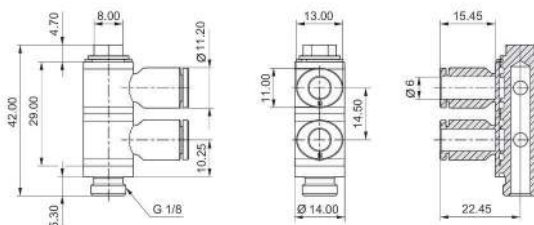
R412005141

Dimensions in mm



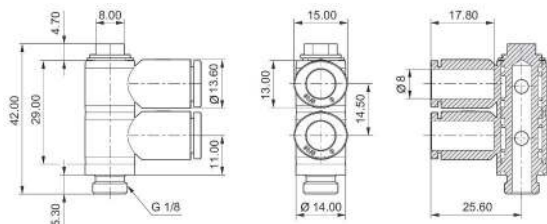
R412005144

Dimensions in mm



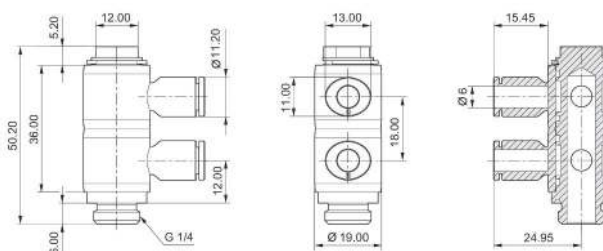
R412005147

Dimensions in mm



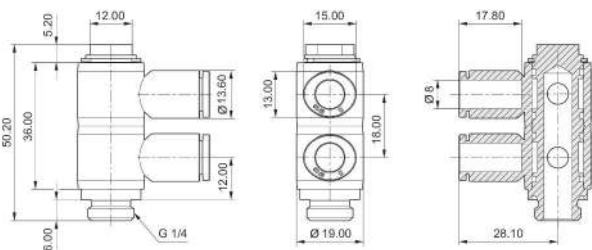
R412005145

Dimensions in mm



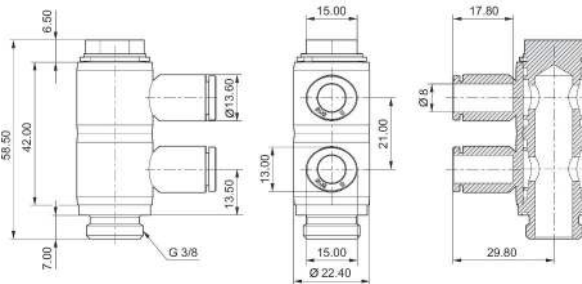
R412005148

Dimensions in mm



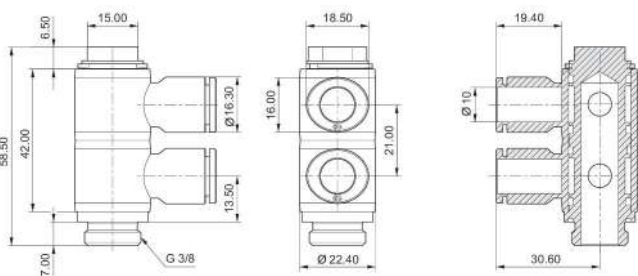
R412005149

Dimensions in mm



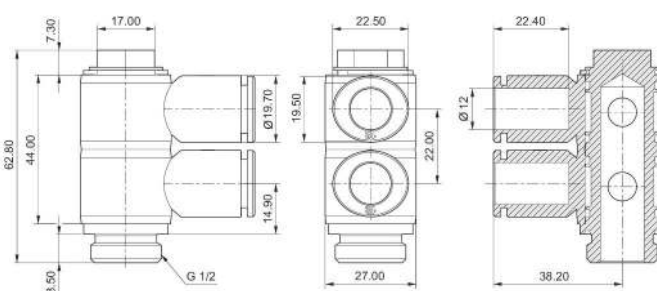
R412005152

Dimensions in mm



R412005155

Dimensions in mm



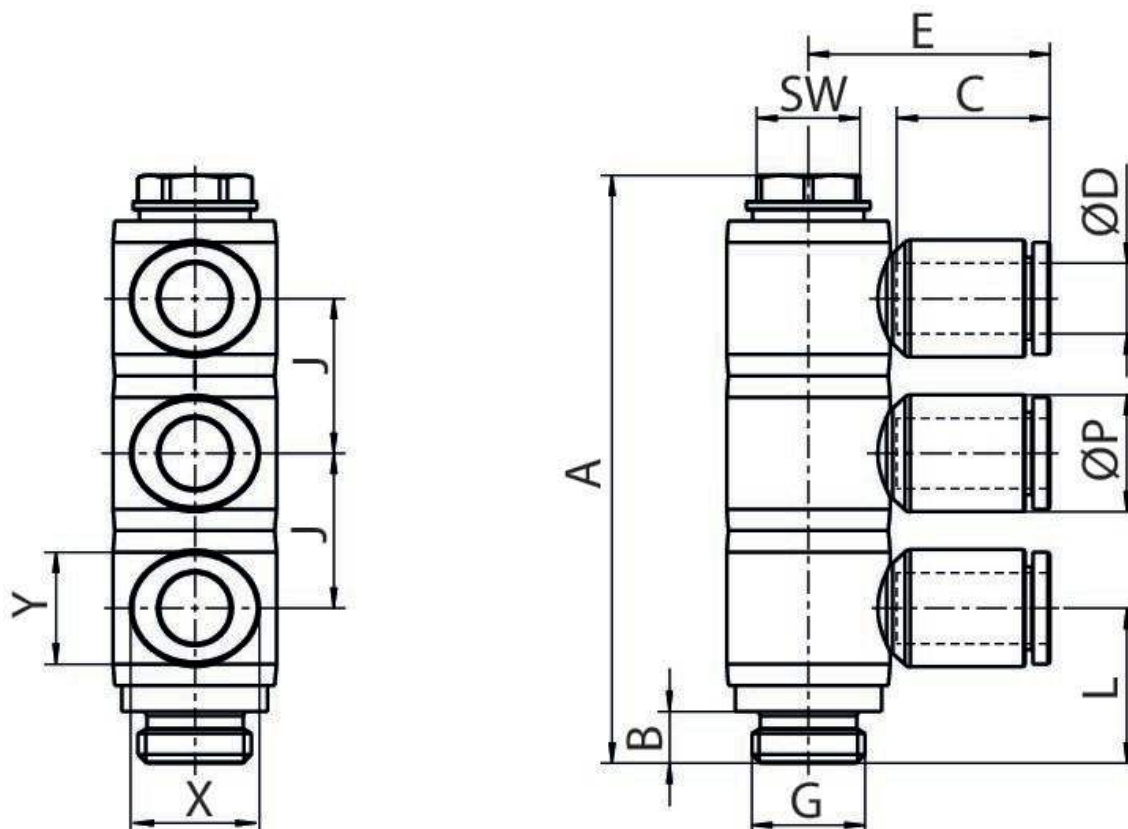
QR1-S standard series

Compressed air connection type: External thread
 Compressed air connection type 2: Push-in fitting
 Ambient temperature min./max.: 0 °C ... 60 °C
 Working pressure min./max.: -0.95 bar ... 10 bar



G	Ø D	Delivery unit [piece]	Material	Part No.
G 1/8	Ø 4	10	Polybutyleneterephthalate	R412005156
G 1/8	Ø 6	10	Polybutyleneterephthalate	R412005157
G 1/4	Ø 6	10	Polybutyleneterephthalate	R412005160
G 1/4	Ø 8	10	Polybutyleneterephthalate	R412005161
G 3/8	Ø 6	10	Polybutyleneterephthalate	R412005164
G 3/8	Ø 10	5	Polybutyleneterephthalate	R412005166
G 3/8	Ø 12	5	Polybutyleneterephthalate	R412005167
G 1/2	Ø 8	10	Polybutyleneterephthalate	R412005168
G 1/2	Ø 10	5	Polybutyleneterephthalate	R412005169

Dimensions



Part No.	A	B	C	Ø D	E	Ø G	J	L	Ø P
R412005156	56.5	5.3	14.5	4	21.5	G 1/8	14.5	16	9
R412005157	56.5	5.3	15.45	6	22.45	G 1/8	14.5	16	11.2
R412005160	68.3	6	15.45	6	24.95	G 1/4	18	18	11.2
R412005161	68.3	6	17.8	8	28.1	G 1/4	18	18	13.6
R412005164	79.6	7	15.45	6	26.65	G 3/8	21	21	11.2
R412005166	79.6	7	19.4	10	30.6	G 3/8	21	21	16.3
R412005167	79.6	7	22.4	12	35.9	G 3/8	21	22	19.7
R412005168	84.8	8.5	17.8	8	32.1	G 1/2	22	23	13.6
R412005169	84.8	8.5	19.4	10	32.9	G 1/2	22	23	16.3

Part No.	SW
R412005156	8
R412005157	8
R412005160	12
R412005161	12
R412005164	15
R412005166	15
R412005167	15
R412005168	17
R412005169	17

QR1-S-RW6 standard series

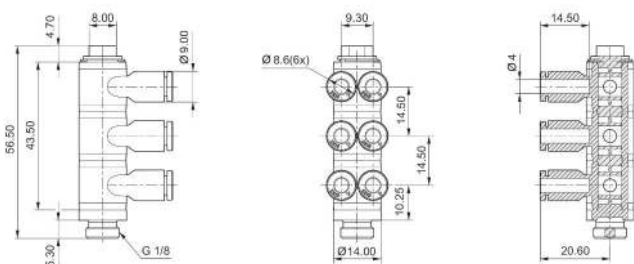
Compressed air connection type: External thread
 Compressed air connection type 2: Push-in fitting
 Ambient temperature min./max.: -20 °C ... 80 °C
 Medium temperature min./max.: -20 °C ... 80 °C
 Working pressure min./max.: -1 bar ... 16 bar



G	Ø D	Delivery unit [piece]	Material	Part No.
G 1/8	Ø 4	10	Polyamide	R412005186
G 1/8	Ø 6	10	Polyamide	R412005187
G 1/4	Ø 4	10	Polyamide	R412005189
G 1/4	Ø 6	10	Polyamide	R412005190
G 1/4	Ø 8	10	Polyamide	R412005191
G 3/8	Ø 6	10	Polyamide	R412005194
G 3/8	Ø 8	10	Polyamide	R412005195
G 3/8	Ø 10	5	Polyamide	R412005196

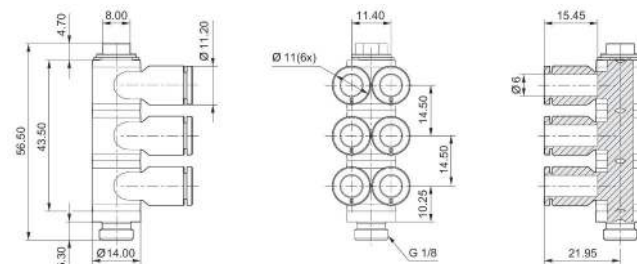
R412005186

Dimensions in mm



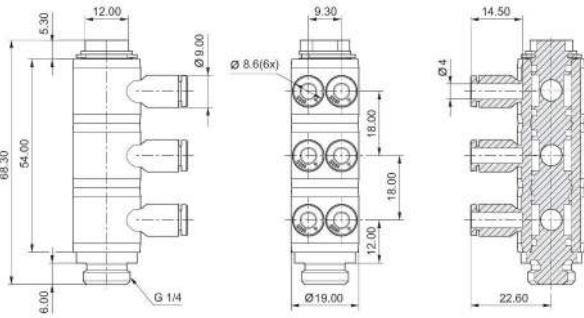
R412005187

Dimensions in mm



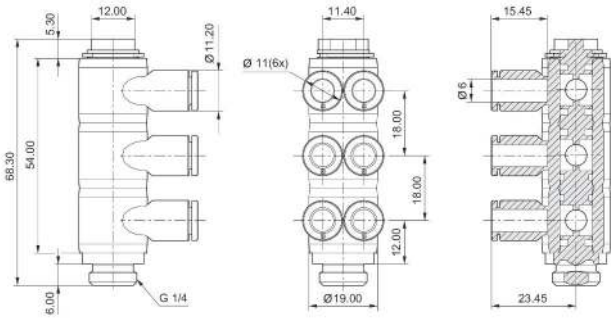
R412005189

Dimensions in mm



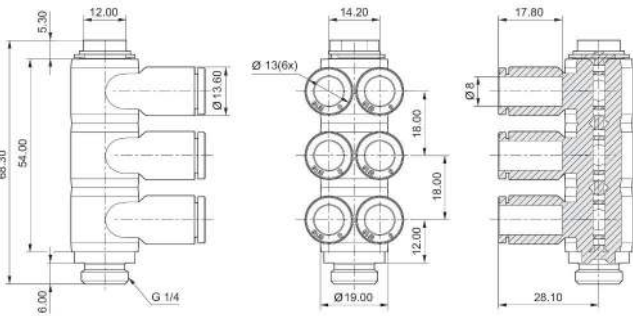
R412005190

Dimensions in mm



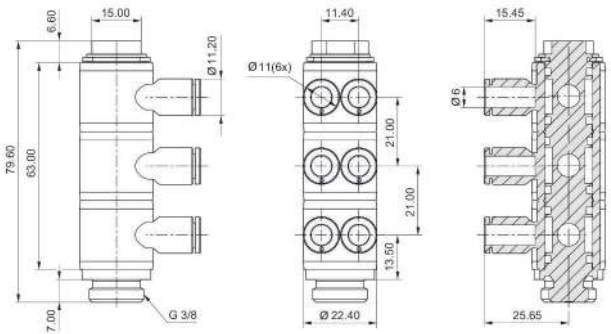
R412005191

Dimensions in mm



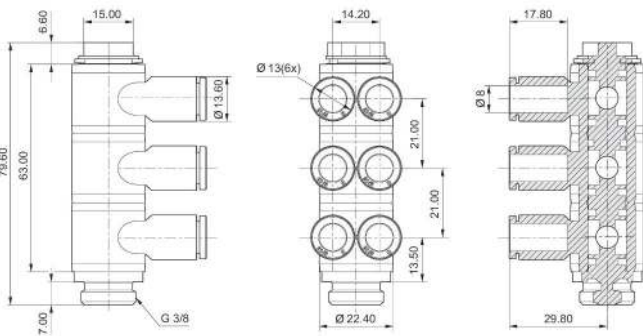
R412005194

Dimensions in mm



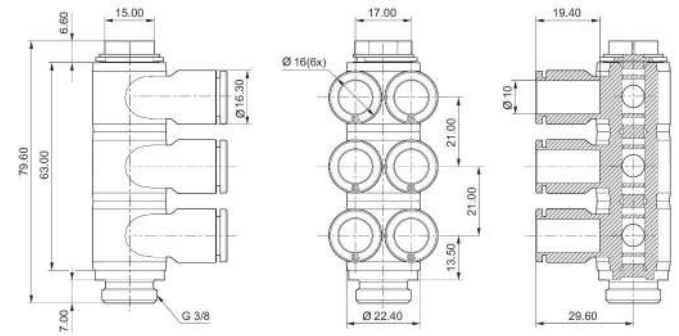
R412005195

Dimensions in mm



R412005196

Dimensions in mm



QR1-S-RID standard series

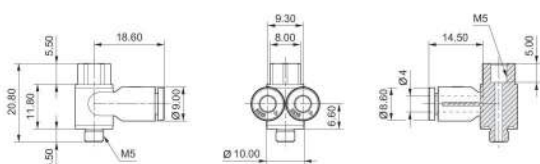
Compressed air connection type: External thread
 Compressed air connection type 2: Push-in fitting
 Ambient temperature min./max.: -20 °C ... 80 °C
 Medium temperature min./max.: -20 °C ... 80 °C
 Working pressure min./max.: -1 bar ... 16 bar



G	Ø D	Ø	Delivery unit [piece]	Material	Part No.
M5	Ø 4	M5	10	Polyamide	R412005259
G 1/8	Ø 6	G 1/8	10	Polyamide	R412005260
G 1/4	Ø 8	G 1/4	10	Polyamide	R412005261
G 3/8	Ø 10	G 3/8	5	Polyamide	R412005262

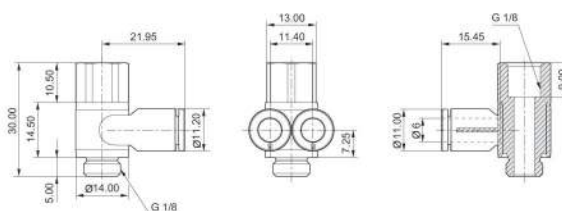
R412005259

Dimensions in mm



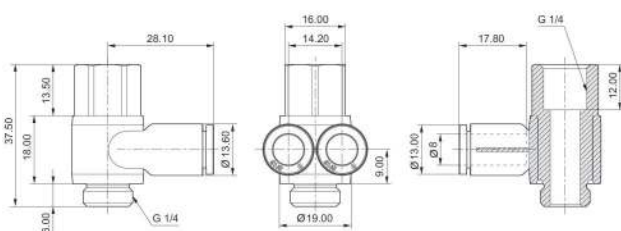
R412005260

Dimensions in mm



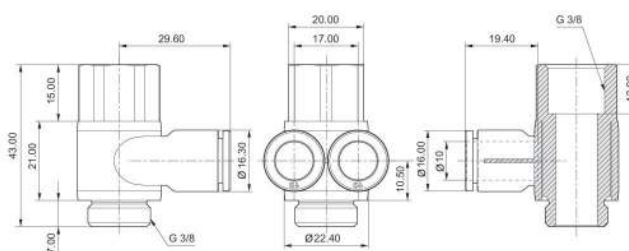
R412005261

Dimensions in mm



R412005262

Dimensions in mm



QR1-S-RAS standard series

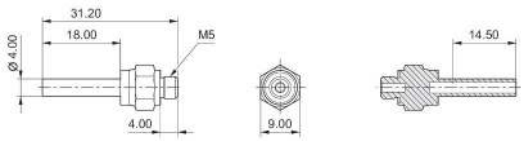
Compressed air connection type: External thread
 Compressed air connection type 2: pin bushing
 Ambient temperature min./max.: -20 °C ... 80 °C
 Medium temperature min./max.: -20 °C ... 80 °C
 Working pressure min./max.: -1 bar ... 16 bar



G	Ø D	Delivery unit [piece]	Material	Part No.
M5	Ø 4	10	Polyoxymethylene	2121604050
M5	Ø 6	10	Polyoxymethylene	R412005068
G 1/8	Ø 4	10	Polyoxymethylene	2121604180
G 1/8	Ø 6	10	Polyoxymethylene	2121606180
G 1/8	Ø 8	10	Polyoxymethylene	R412005071
G 1/4	Ø 6	10	Polyoxymethylene	2121606140
G 1/4	Ø 8	10	Polyoxymethylene	2121608140
G 1/4	Ø 10	10	Polyoxymethylene	R412005072
G 1/4	Ø 12	10	Polyoxymethylene	R412005073
G 3/8	Ø 10	10	Polyoxymethylene	2121610380
G 3/8	Ø 12	10	Polyoxymethylene	R412005074
G 1/2	Ø 10	10	Polyoxymethylene	2121610120
G 1/2	Ø 12	10	Polyoxymethylene	2121612120
G 1/2	Ø 14	5	Polyoxymethylene	R412005076
G 1/2	Ø 16	5	Polyoxymethylene	R412005078

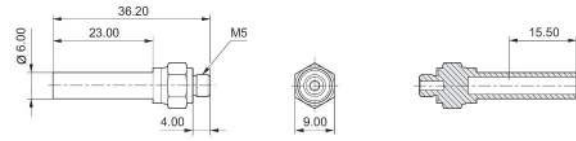
2121604050

Dimensions in mm



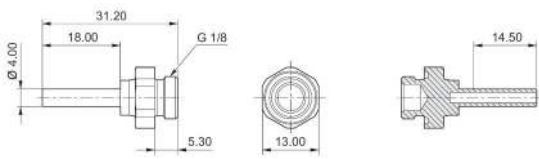
R412005068

Dimensions in mm



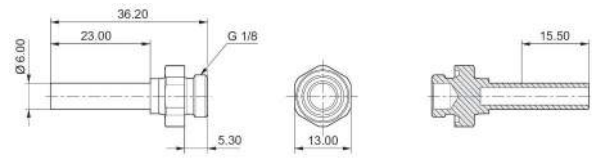
2121604180

Dimensions in mm



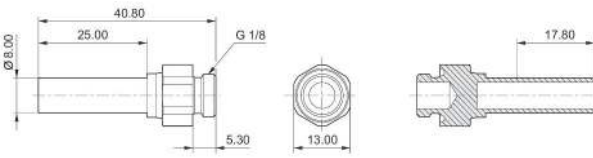
2121606180

Dimensions in mm



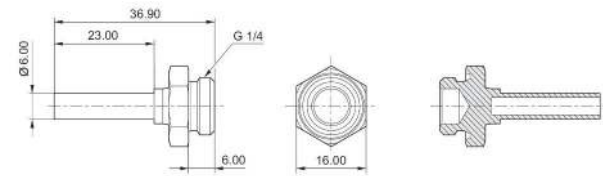
R412005071

Dimensions in mm



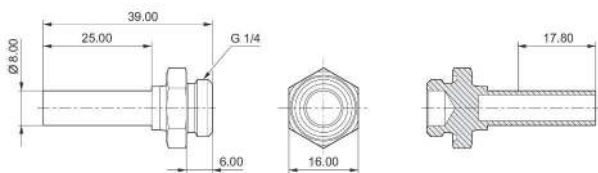
2121606140

Dimensions in mm



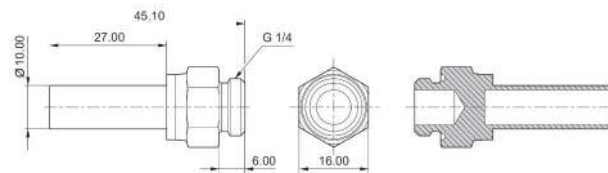
2121608140

Dimensions in mm



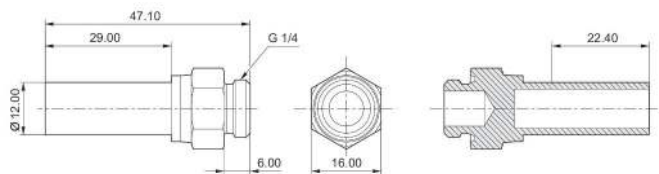
R412005072

Dimensions in mm



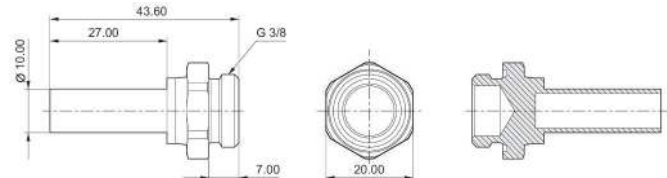
R412005073

Dimensions in mm



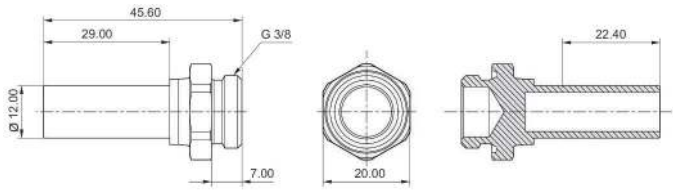
2121610380

Dimensions in mm



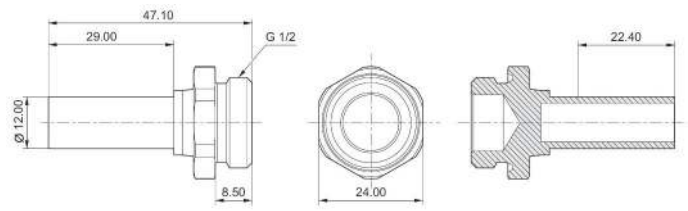
R412005074, 2121610120

Dimensions in mm



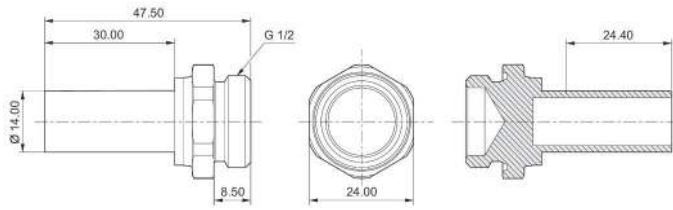
2121612120

Dimensions in mm



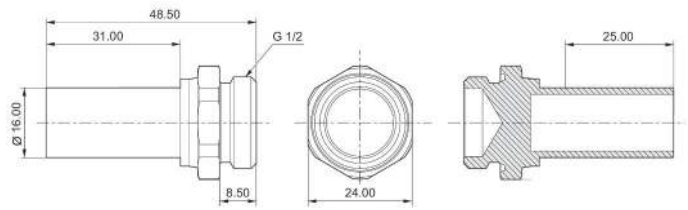
R412005076

Dimensions in mm



R412005078

Dimensions in mm



QR1-S-RSI standard series

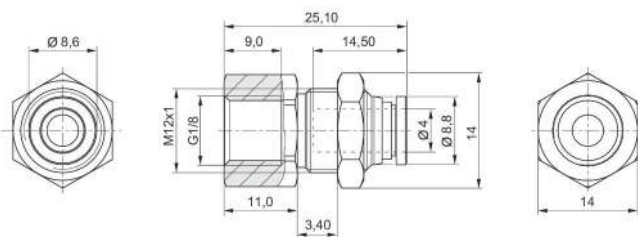
Compressed air connection type: Internal thread
 Compressed air connection type 2: Push-in fitting
 Ambient temperature min./max.: -20 °C ... 80 °C
 Medium temperature min./max.: -20 °C ... 80 °C
 Working pressure min./max.: -1 bar ... 16 bar



G	Ø D	Delivery unit [piece]	Material	Part No.
G 1/8	Ø 4	10	Brass	2122604180
G 1/8	Ø 6	10	Brass	2122606180
G 1/8	Ø 8	10	Brass	R412005232
G 1/4	Ø 6	10	Brass	2122606140
G 1/4	Ø 8	10	Brass	2122608140
G 1/4	Ø 10	10	Brass	R412005233
G 3/8	Ø 8	10	Brass	R412005231
G 3/8	Ø 10	10	Brass	2122610380
G 3/8	Ø 12	10	Brass	R412005235
G 1/2	Ø 12	10	Brass	2122612120

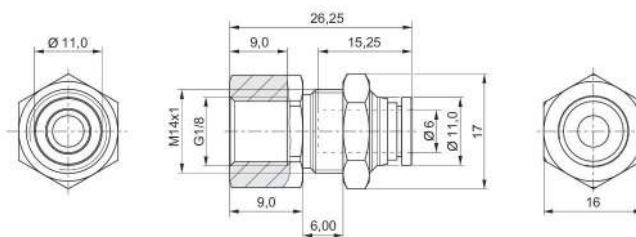
2122604180

Dimensions in mm



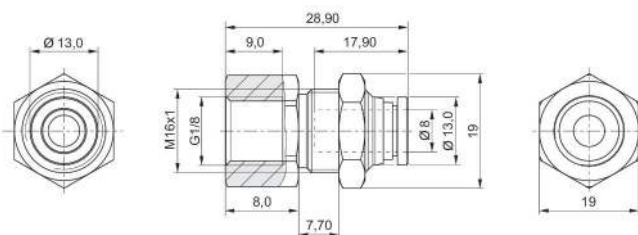
2122606180

Dimensions in mm



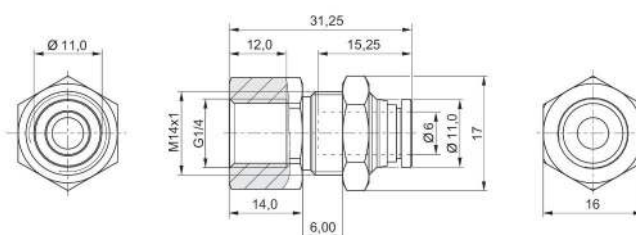
R412005232

Dimensions in mm



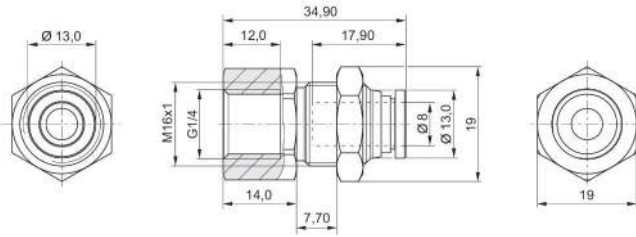
2122606140

Dimensions in mm



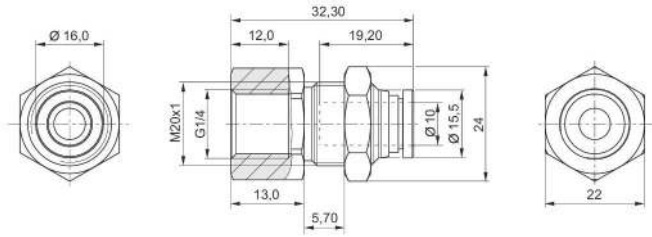
2122608140

Dimensions in mm



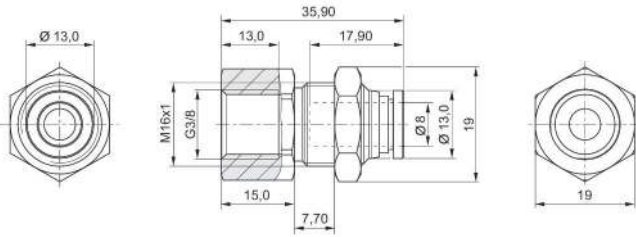
R412005233

Dimensions in mm



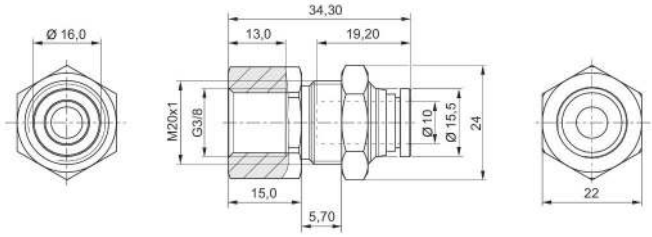
R412005231

Dimensions in mm



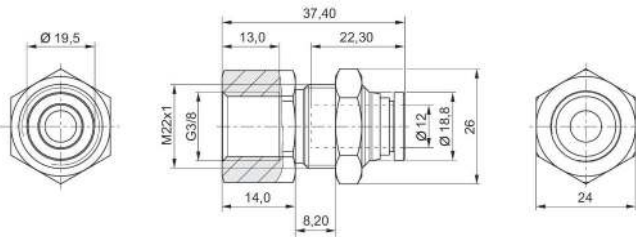
2122610380

Dimensions in mm



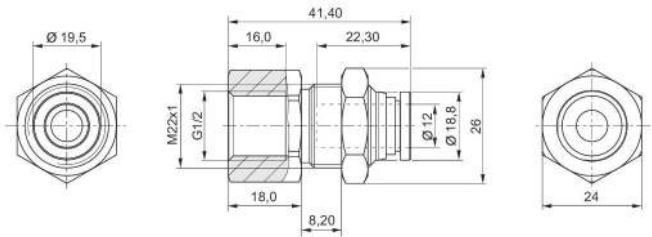
R412005235

Dimensions in mm



2122612120

Dimensions in mm



QR1-S-RTT standard series

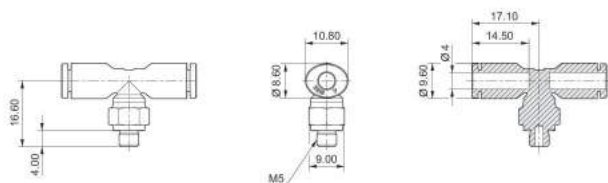
Compressed air connection type: External thread
 Compressed air connection type 2: Push-in fitting
 Ambient temperature min./max.: -20 °C ... 80 °C
 Medium temperature min./max.: -20 °C ... 80 °C
 Working pressure min./max.: -1 bar ... 16 bar



G	Ø D	Delivery unit [piece]	Material	Part No.
M5	Ø 4	10	Polyamide	2122204050
M5	Ø 6	10	Polyamide	R412005201
G 1/8	Ø 4	10	Polyamide	2122204180
G 1/8	Ø 6	10	Polyamide	2122206180
G 1/8	Ø 8	10	Polyamide	2122208180
G 1/8	Ø 10	10	Polyamide	R412005205
G 1/4	Ø 4	10	Polyamide	2122204140
G 1/4	Ø 6	10	Polyamide	2122206140
G 1/4	Ø 8	10	Polyamide	2122208140
G 1/4	Ø 10	10	Polyamide	2122210140
G 1/4	Ø 12	10	Polyamide	R412005206
G 3/8	Ø 6	10	Polyamide	R412005203
G 3/8	Ø 8	10	Polyamide	2122208380
G 3/8	Ø 10	10	Polyamide	2122210380
G 3/8	Ø 12	10	Polyamide	2122212380
G 3/8	Ø 14	10	Polyamide	2122214380
G 1/2	Ø 10	10	Polyamide	2122210120
G 1/2	Ø 12	5	Polyamide	2122212120
G 1/2	Ø 14	5	Polyamide	2122214120
G 1/2	Ø 16	5	Polyamide	R412005209

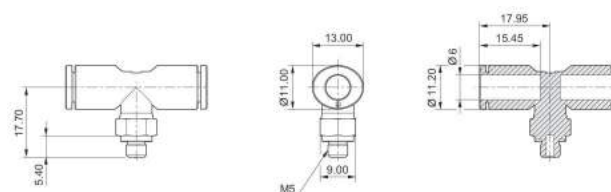
2122204050

Dimensions in mm



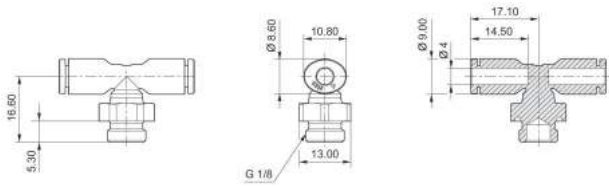
R412005201

Dimensions in mm



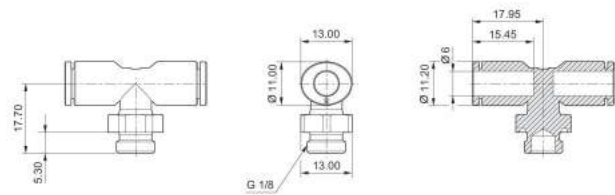
2122204180

Dimensions in mm



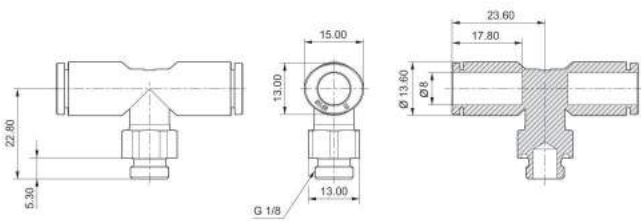
2122206180

Dimensions in mm



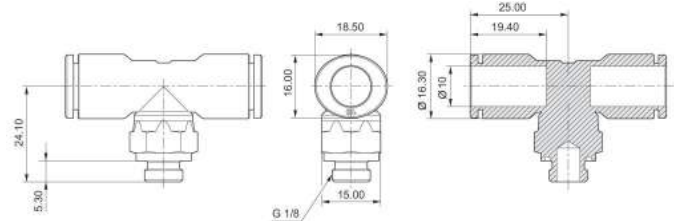
2122208180

Dimensions in mm



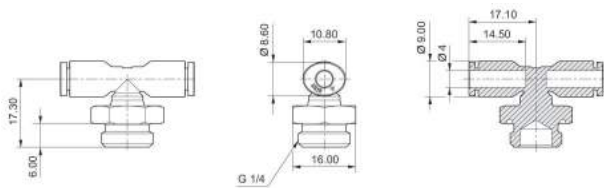
R412005205

Dimensions in mm



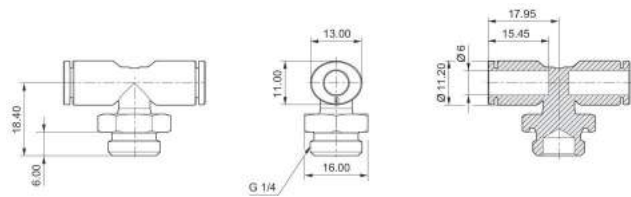
2122204140

Dimensions in mm



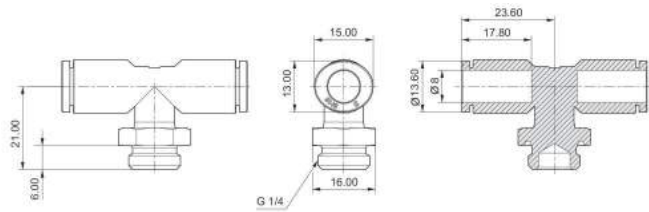
2122206140

Dimensions in mm



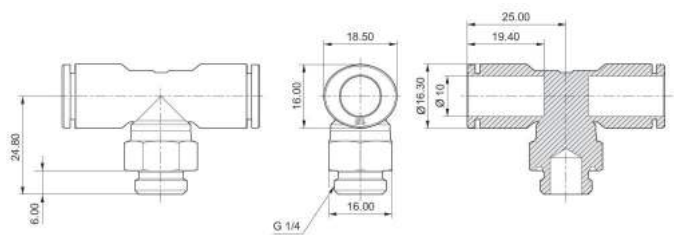
2122208140

Dimensions in mm



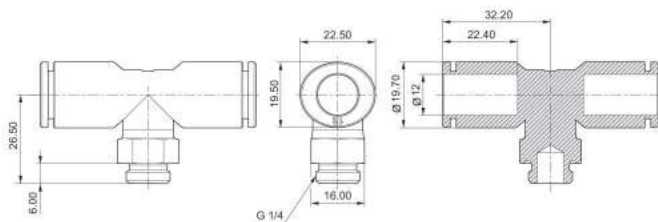
2122210140

Dimensions in mm



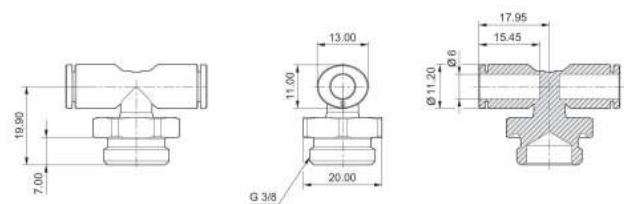
R412005206

Dimensions in mm



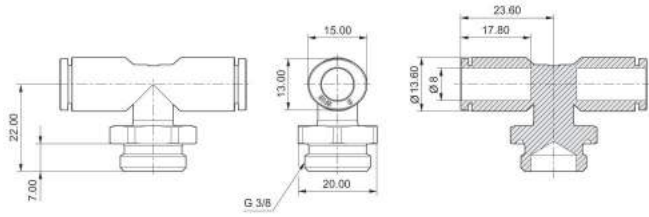
R412005203

Dimensions in mm



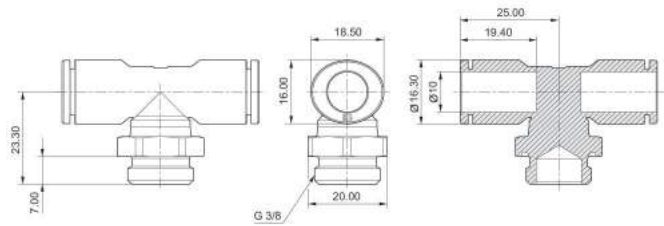
2122208380

Dimensions in mm



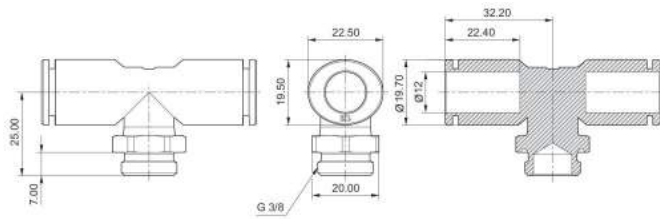
2122210380

Dimensions in mm



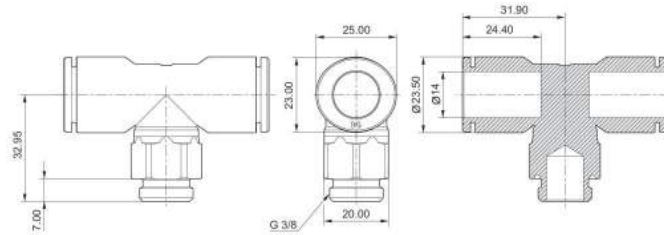
2122212380

Dimensions in mm



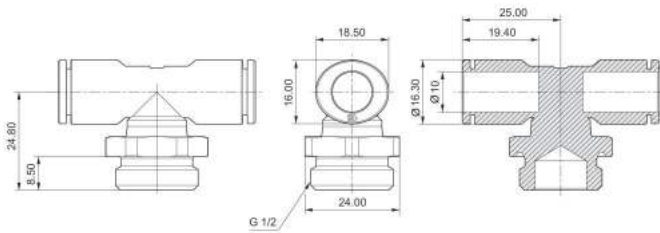
2122214380

Dimensions in mm



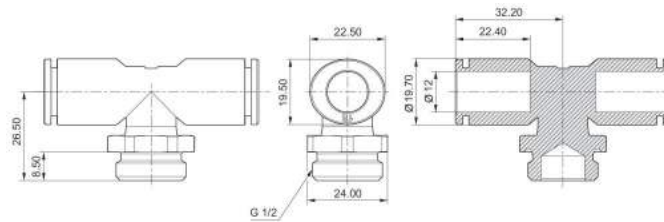
2122210120

Dimensions in mm



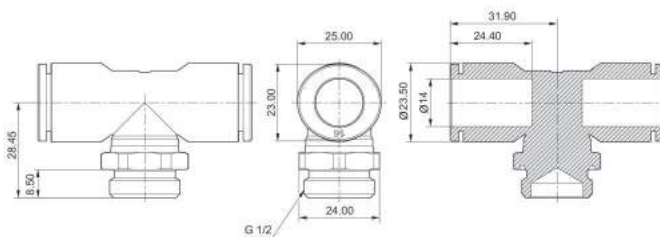
2122212120

Dimensions in mm



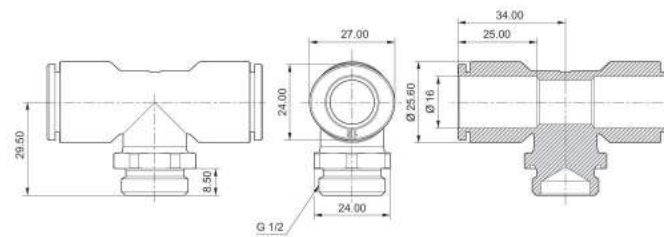
2122214120

Dimensions in mm



R412005209

Dimensions in mm



QR1-S-RTS standard series

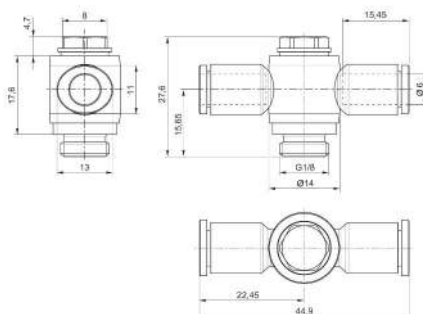
Compressed air connection type: External thread
 Compressed air connection type 2: Push-in fitting
 Ambient temperature min./max.: -20 °C ... 80 °C
 Medium temperature min./max.: -20 °C ... 80 °C
 Working pressure min./max.: -1 bar ... 16 bar



G	Ø D	Delivery unit [piece]	Material	Part No.
G 1/8	Ø 6	10	Polyamide	R412005292
G 1/8	Ø 8	10	Polyamide	R412005293
G 1/4	Ø 6	10	Polyamide	R412005294
G 1/4	Ø 8	10	Polyamide	R412005295

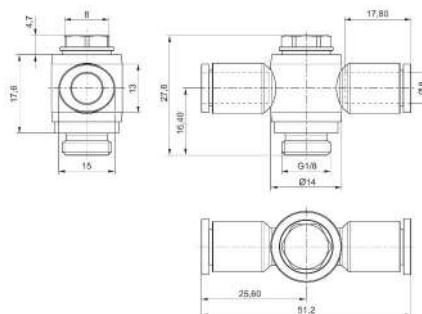
R412005292

Dimensions in mm



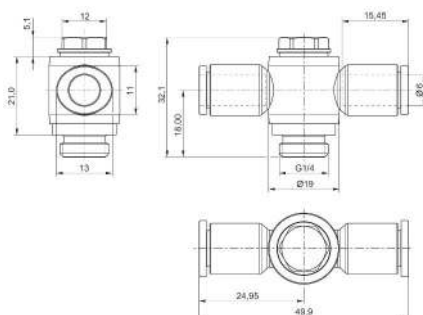
R412005293

Dimensions in mm



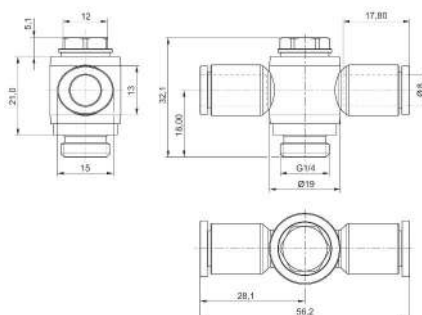
R412005294

Dimensions in mm



R412005295

Dimensions in mm



QR1-S-RLT standard series

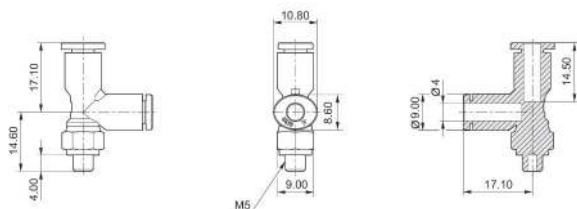
Compressed air connection type: External thread
 Compressed air connection type 2: Push-in fitting
 Ambient temperature min./max.: -20 °C ... 80 °C
 Medium temperature min./max.: -20 °C ... 80 °C
 Working pressure min./max.: -1 bar ... 16 bar



G	Ø D	Delivery unit [piece]	Material	Part No.
M5	Ø 4	10	Polyamide	2122304050
M5	Ø 6	10	Polyamide	R412005212
G 1/8	Ø 4	10	Polyamide	2122304180
G 1/8	Ø 6	10	Polyamide	2122306180
G 1/8	Ø 8	10	Polyamide	R412005214
G 1/4	Ø 4	10	Polyamide	R412005211
G 1/4	Ø 6	10	Polyamide	2122306140
G 1/4	Ø 8	10	Polyamide	2122308140
G 1/4	Ø 10	10	Polyamide	R412005215
G 1/4	Ø 12	5	Polyamide	R412005216
G 3/8	Ø 8	10	Polyamide	2122308380
G 3/8	Ø 10	10	Polyamide	2122310380
G 3/8	Ø 12	5	Polyamide	2122312380
G 1/2	Ø 10	10	Polyamide	2122310120
G 1/2	Ø 12	5	Polyamide	2122312120

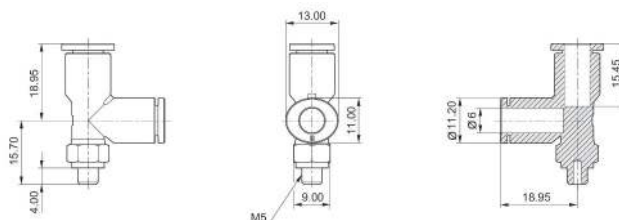
2122304050

Dimensions in mm



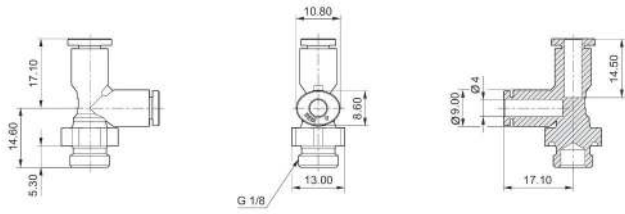
R412005212

Dimensions in mm



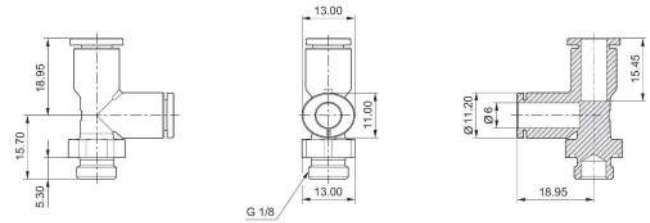
2122304180

Dimensions in mm



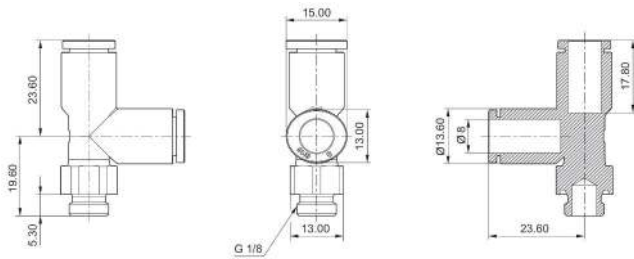
2122306180

Dimensions in mm



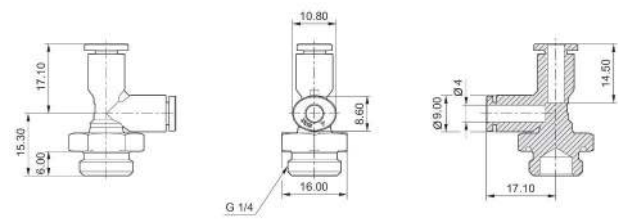
R412005214

Dimensions in mm



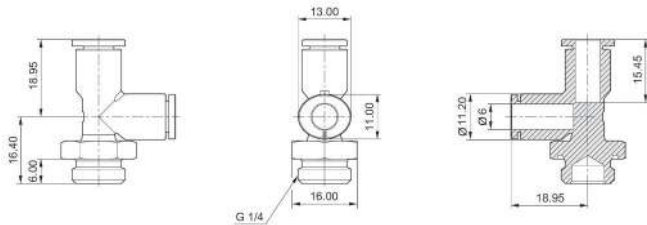
R412005211

Dimensions in mm



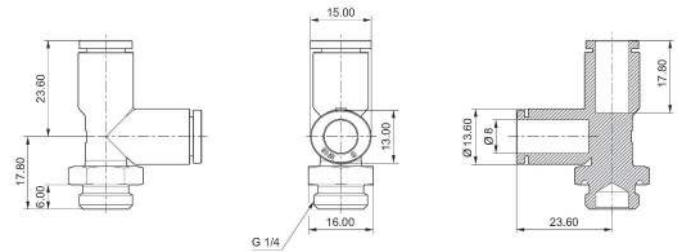
2122306140

Dimensions in mm



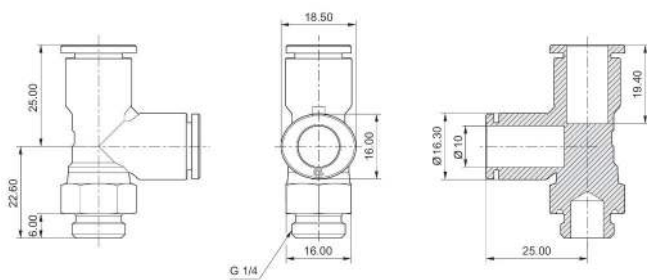
2122308140

Dimensions in mm



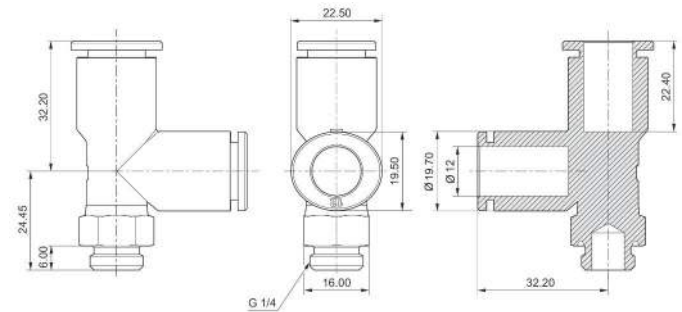
R412005215

Dimensions in mm



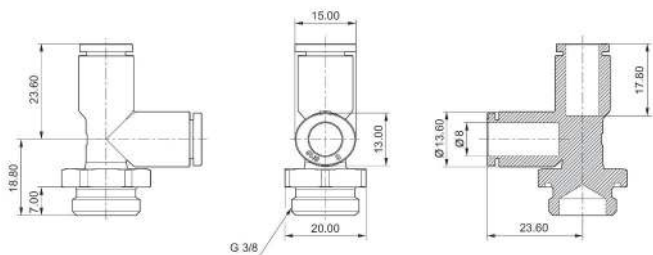
R412005216

Dimensions in mm



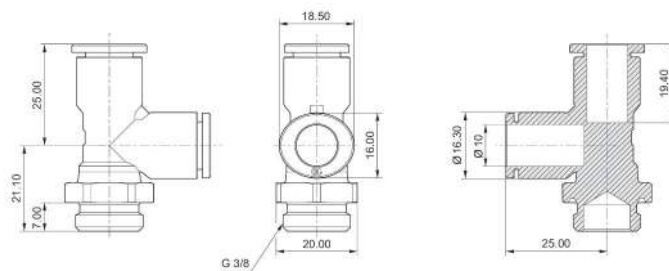
2122308380

Dimensions in mm



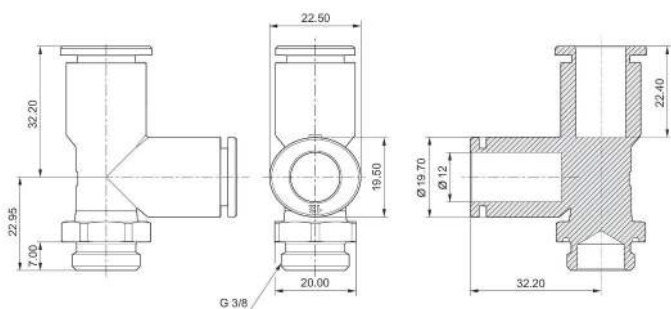
2122310380

Dimensions in mm



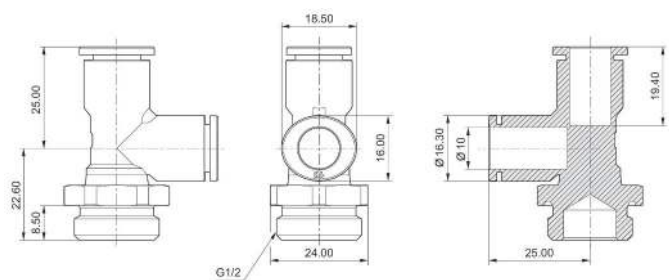
2122312380

Dimensions in mm



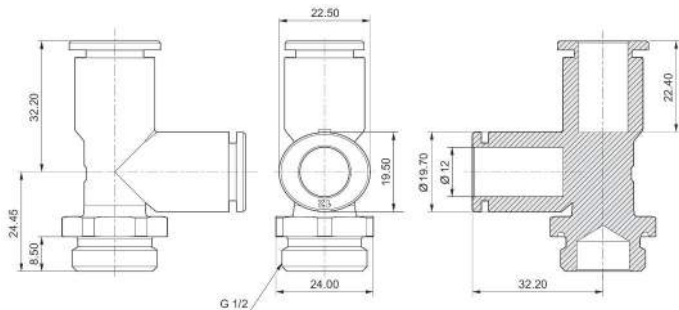
2122310120

Dimensions in mm



2122312120

Dimensions in mm



QR1-S-RAY standard series

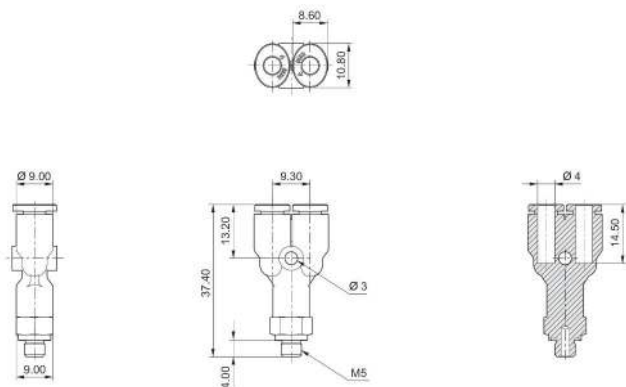
Compressed air connection type: External thread
 Compressed air connection type 2: Push-in fitting
 Ambient temperature min./max.: -20 °C ... 80 °C
 Medium temperature min./max.: -20 °C ... 80 °C
 Working pressure min./max.: -1 bar ... 16 bar



G	Ø D	Delivery unit [piece]	Material	Part No.
M5	Ø 4	10	Polyamide	2122404050
M5	Ø 6	10	Polyamide	R412005219
G 1/8	Ø 4	10	Polyamide	2122404180
G 1/8	Ø 6	10	Polyamide	2122406180
G 1/8	Ø 8	10	Polyamide	2122408180
G 1/4	Ø 4	10	Polyamide	2122404140
G 1/4	Ø 6	10	Polyamide	2122406140
G 1/4	Ø 8	10	Polyamide	2122408140
G 1/4	Ø 10	10	Polyamide	2122410140
G 3/8	Ø 8	10	Polyamide	R412005221
G 3/8	Ø 10	10	Polyamide	2122410380
G 3/8	Ø 12	10	Polyamide	2122412380
G 1/2	Ø 8	10	Polyamide	R412005222
G 1/2	Ø 10	10	Polyamide	2122410120
G 1/2	Ø 12	10	Polyamide	2122412120

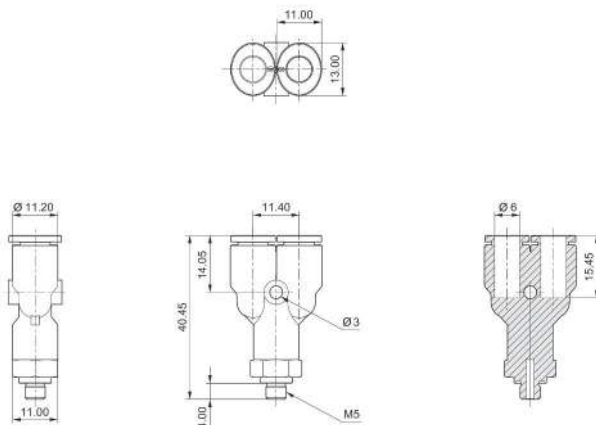
2122404050

Dimensions in mm



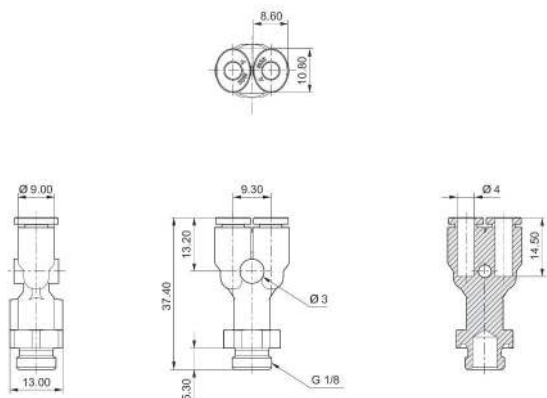
R412005219

Dimensions in mm



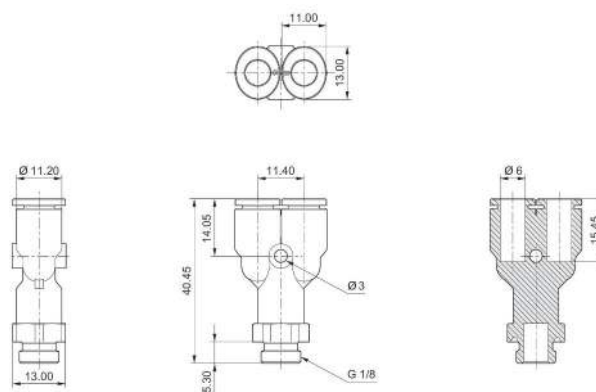
2122404180

Dimensions in mm



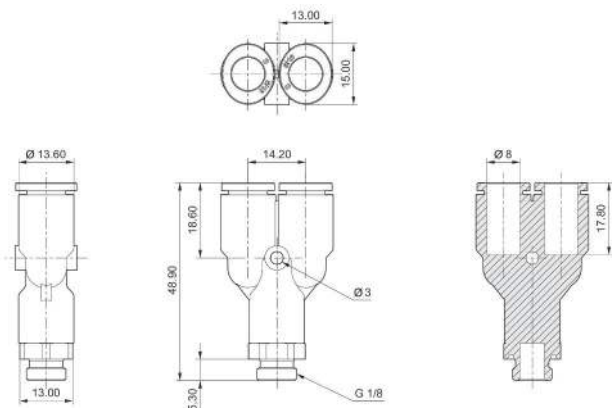
2122406180

Dimensions in mm



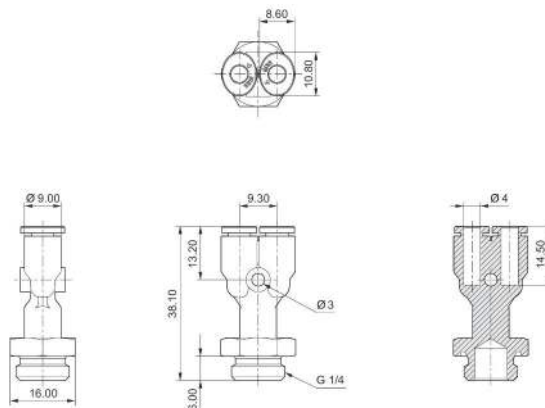
2122408180

Dimensions in mm



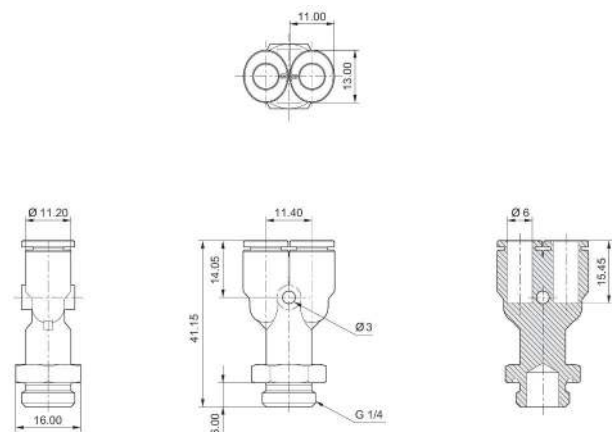
2122404140

Dimensions in mm



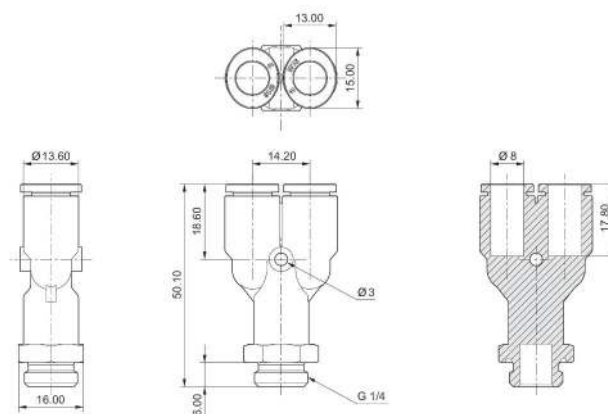
2122406140

Dimensions in mm



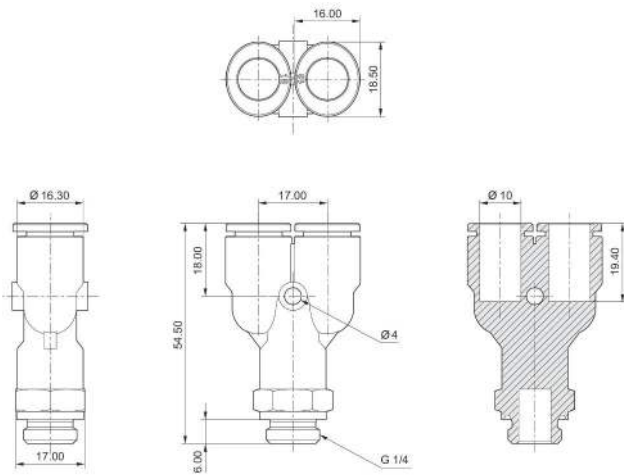
2122408140

Dimensions in mm



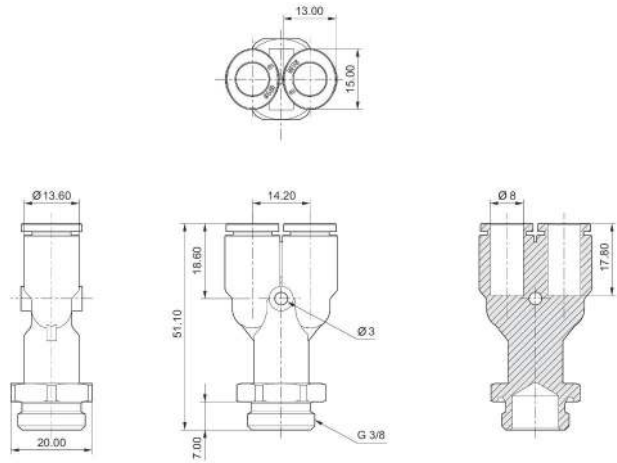
2122410140

Dimensions in mm



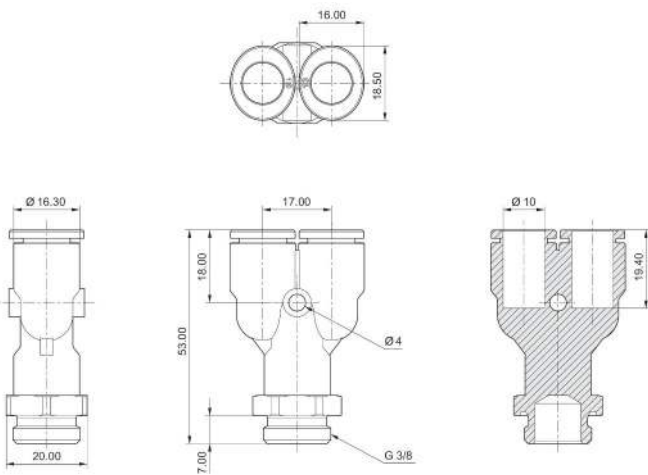
R412005221

Dimensions in mm



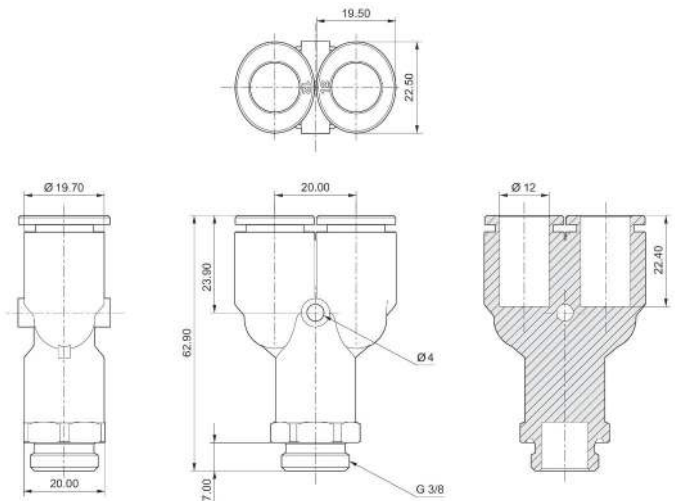
2122410380

Dimensions in mm



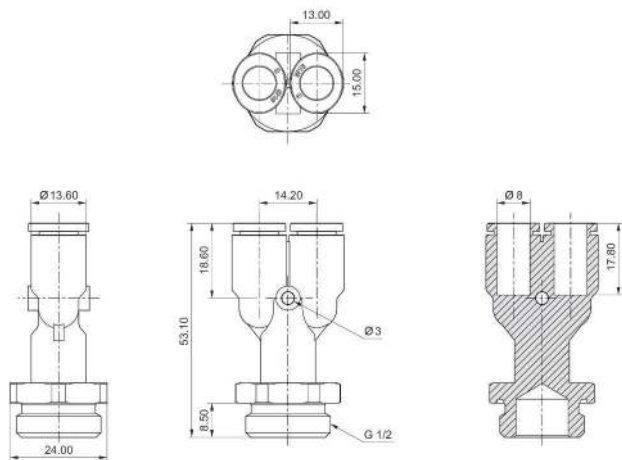
2122412380

Dimensions in mm



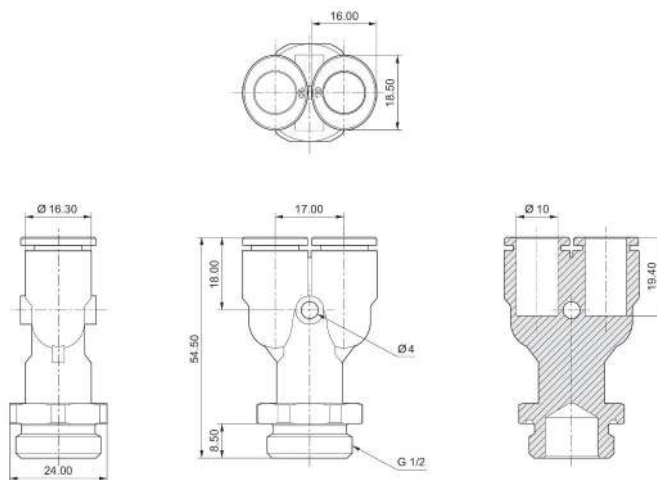
R412005222

Dimensions in mm



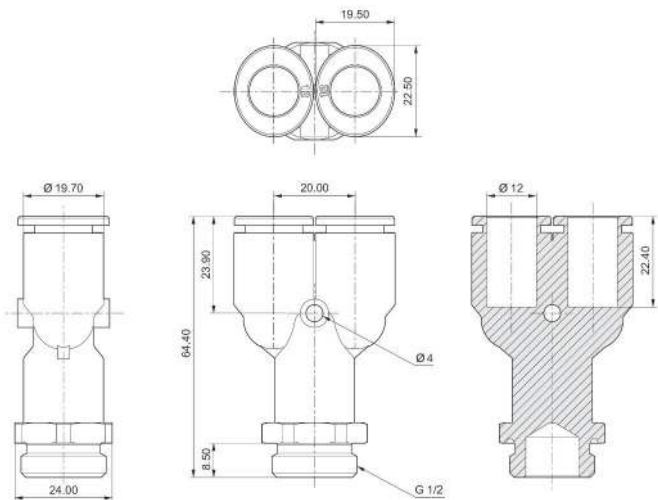
2122410120

Dimensions in mm



2122412120

Dimensions in mm



QR1-S-RSK standard series

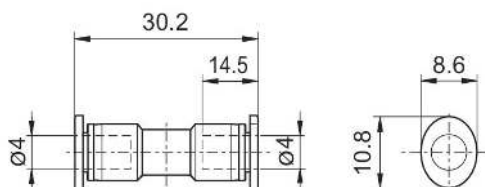
Compressed air connection type: Push-in fitting
 Compressed air connection type 2: Push-in fitting
 Ambient temperature min./max.: -20 °C ... 80 °C
 Medium temperature min./max.: -20 °C ... 80 °C
 Working pressure min./max.: -1 bar ... 16 bar



G	Ø D	Delivery unit [piece]	Material	Part No.
Ø 4	Ø 4	10	Polyamide	2121504000
Ø 6	Ø 6	10	Polyamide	2121506000
Ø 8	Ø 8	10	Polyamide	2121508000
Ø 10	Ø 10	10	Polyamide	2121510000
Ø 12	Ø 12	10	Polyamide	2121512000
Ø 14	Ø 14	5	Polyamide	2121514000
Ø 16	Ø 16	5	Polyamide	R412005059

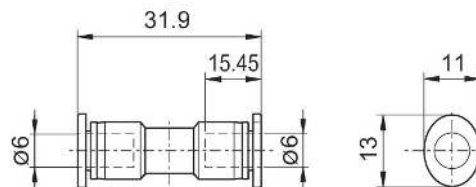
2121504000

Dimensions in mm



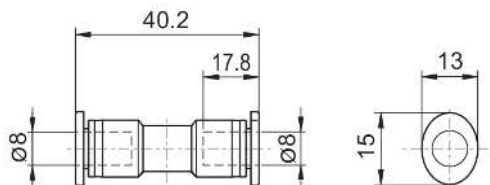
2121506000

Dimensions in mm



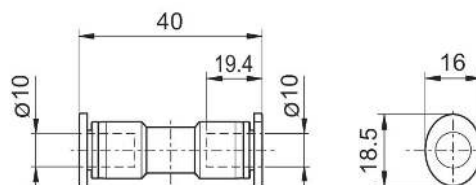
2121508000

Dimensions in mm



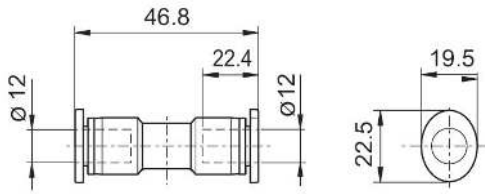
2121510000

Dimensions in mm



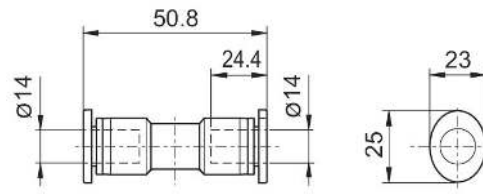
2121512000

Dimensions in mm



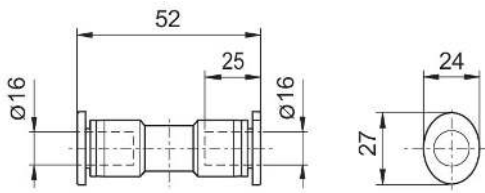
2121514000

Dimensions in mm



R412005059

Dimensions in mm



QR1-S-RSR standard series

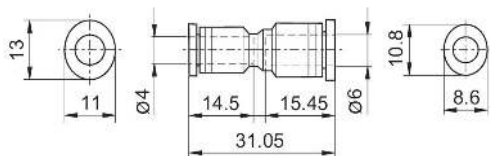
Compressed air connection type: Push-in fitting
 Compressed air connection type 2: Push-in fitting
 Ambient temperature min./max.: -20 °C ... 80 °C
 Medium temperature min./max.: -20 °C ... 80 °C
 Working pressure min./max.: -1 bar ... 16 bar



G	Ø D	Delivery unit [piece]	Material	Part No.
Ø 6	Ø 4	10	Polyamide	R412005060
Ø 8	Ø 4	10	Polyamide	R412005061
Ø 8	Ø 6	10	Polyamide	R412005062
Ø 10	Ø 6	10	Polyamide	R412005063
Ø 10	Ø 8	10	Polyamide	R412005064
Ø 12	Ø 8	10	Polyamide	R412005065
Ø 12	Ø 10	10	Polyamide	R412005066
Ø 16	Ø 12	5	Polyamide	R412005067

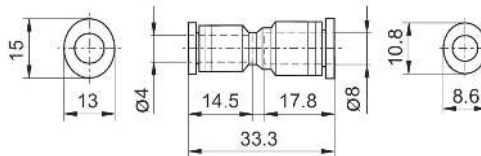
R412005060

Dimensions in mm



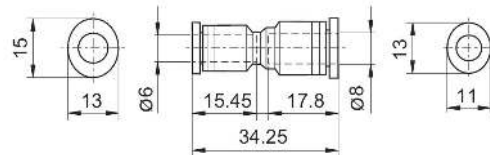
R412005061

Dimensions in mm



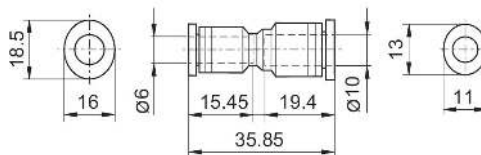
R412005062

Dimensions in mm



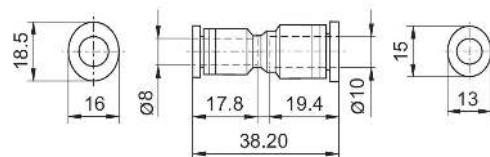
R412005063

Dimensions in mm



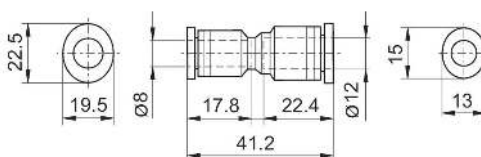
R412005064

Dimensions in mm



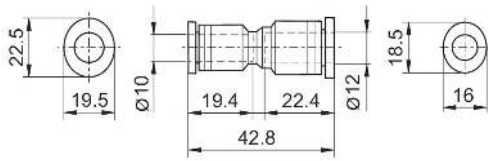
R412005065

Dimensions in mm



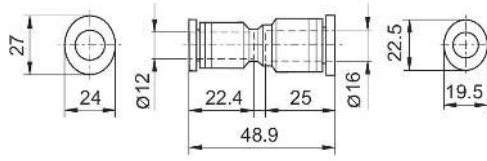
R412005066

Dimensions in mm



R412005067

Dimensions in mm



QR1-S-RSM standard series

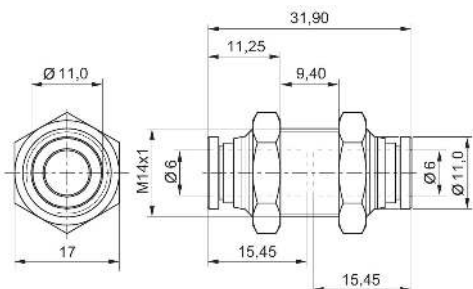
Compressed air connection type: Push-in fitting
 Compressed air connection type 2: Push-in fitting
 Ambient temperature min./max.: -20 °C ... 80 °C
 Medium temperature min./max.: -20 °C ... 80 °C
 Working pressure min./max.: -1 bar ... 16 bar



G	Ø D	Delivery unit [piece]	Material	Part No.
Ø 6	Ø 6	10	Brass	2121406000
Ø 8	Ø 8	10	Brass	2121408000
Ø 10	Ø 10	10	Brass	2121410000
Ø 12	Ø 12	10	Brass	2121412000

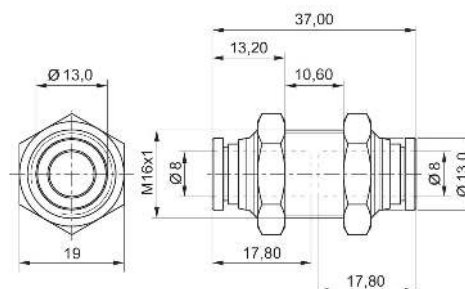
2121406000

Dimensions in mm



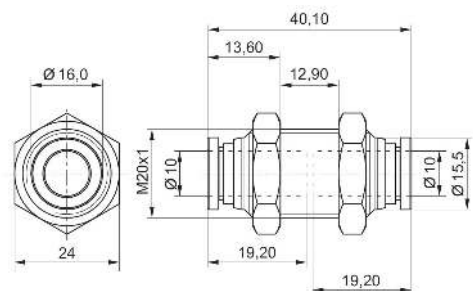
2121408000

Dimensions in mm



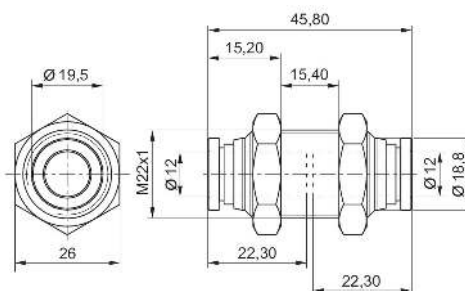
2121410000

Dimensions in mm



2121412000

Dimensions in mm



QR1-S-RSC standard series

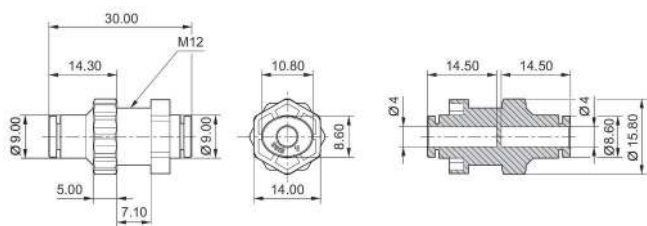
Compressed air connection type: Push-in fitting
 Compressed air connection type 2: Push-in fitting
 Ambient temperature min./max.: -20 °C ... 80 °C
 Medium temperature min./max.: -20 °C ... 80 °C
 Working pressure min./max.: -1 bar ... 16 bar



G	Ø D	Delivery unit [piece]	Material	Part No.
Ø 4	Ø 4	10	Polyamide	R412005051
Ø 6	Ø 6	10	Polyamide	R412005052
Ø 8	Ø 8	10	Polyamide	R412005053
Ø 10	Ø 10	10	Polyamide	R412005054
Ø 12	Ø 12	10	Polyamide	R412005055

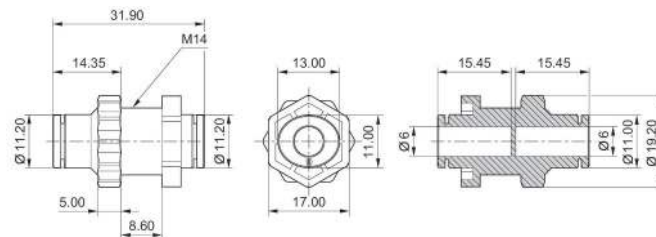
R412005051

Dimensions in mm



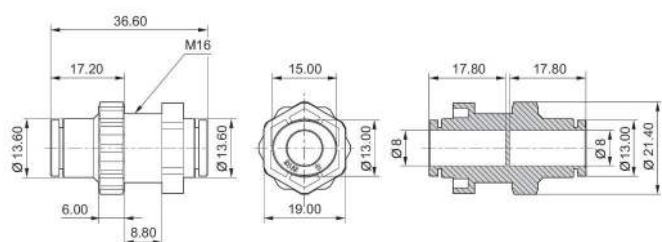
R412005052

Dimensions in mm



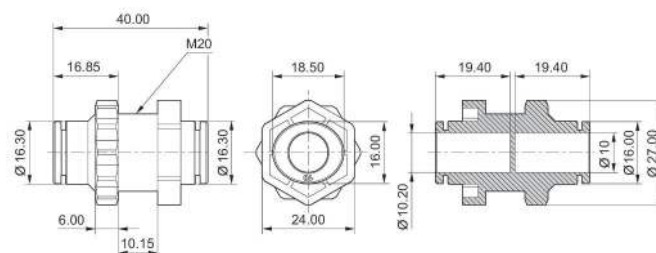
R412005053

Dimensions in mm



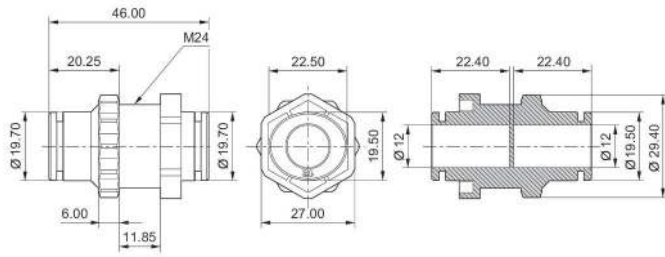
R412005054

Dimensions in mm



R412005055

Dimensions in mm



QR1-S-RVK standard series

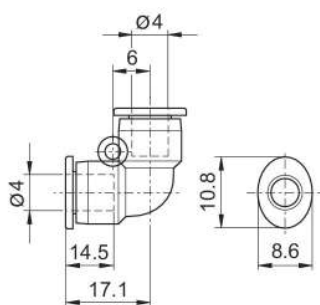
Compressed air connection type: Push-in fitting
 Compressed air connection type 2: Push-in fitting
 Ambient temperature min./max.: -20 °C ... 80 °C
 Medium temperature min./max.: -20 °C ... 80 °C
 Working pressure min./max.: -1 bar ... 16 bar



G	Ø D	Delivery unit [piece]	Material	Part No.
Ø 4	Ø 4	10	Polyamide	2121204000
Ø 6	Ø 6	10	Polyamide	2121206000
Ø 8	Ø 8	10	Polyamide	2121208000
Ø 10	Ø 10	10	Polyamide	2121210000
Ø 12	Ø 12	10	Polyamide	2121212000
Ø 14	Ø 14	5	Polyamide	2121214000
Ø 16	Ø 16	5	Polyamide	R412005033

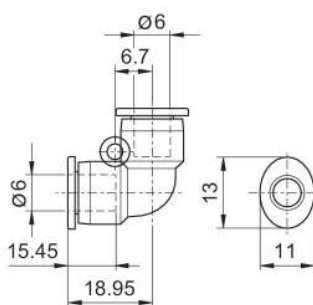
2121204000

Dimensions in mm



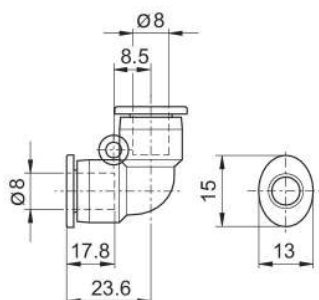
2121206000

Dimensions in mm



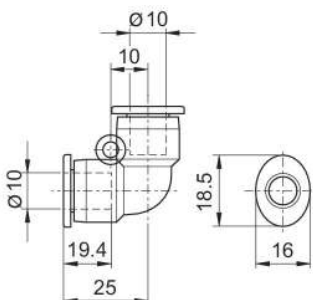
2121208000

Dimensions in mm



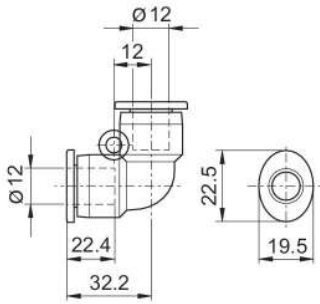
2121210000

Dimensions in mm



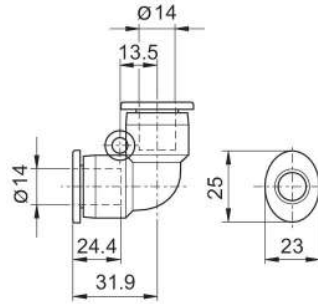
2121212000

Dimensions in mm



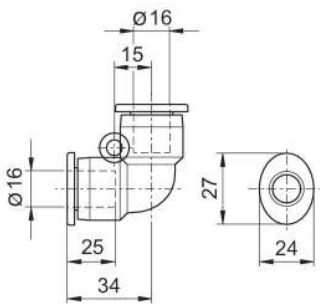
2121214000

Dimensions in mm



R412005033

Dimensions in mm



QR1-S-RVS standard series

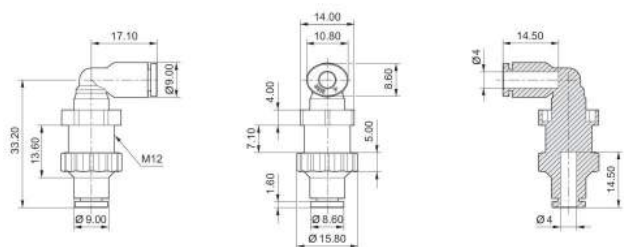
Compressed air connection type: Push-in fitting
 Compressed air connection type 2: Push-in fitting
 Ambient temperature min./max.: -20 °C ... 80 °C
 Medium temperature min./max.: -20 °C ... 80 °C
 Working pressure min./max.: -1 bar ... 16 bar



G	Ø D	Delivery unit [piece]	Material	Part No.
Ø 4	Ø 4	10	Polyamide	R412005056
Ø 6	Ø 6	10	Polyamide	R412005057
Ø 8	Ø 8	10	Polyamide	R412005375
Ø 10	Ø 10	10	Polyamide	R412005376

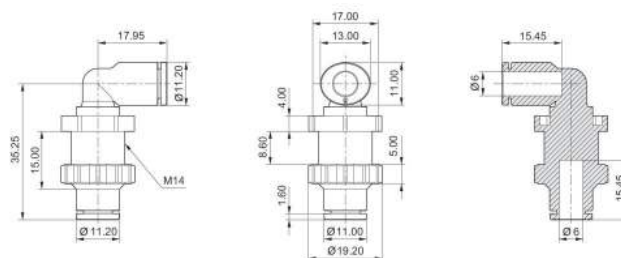
R412005056

Dimensions in mm



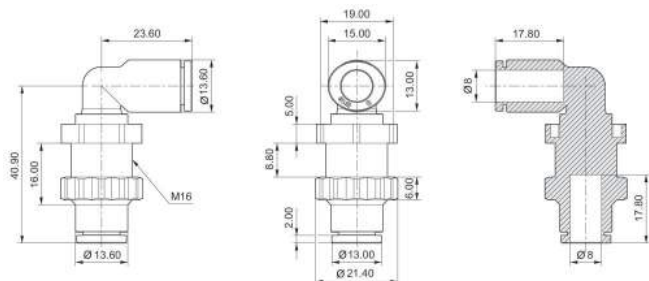
R412005057

Dimensions in mm



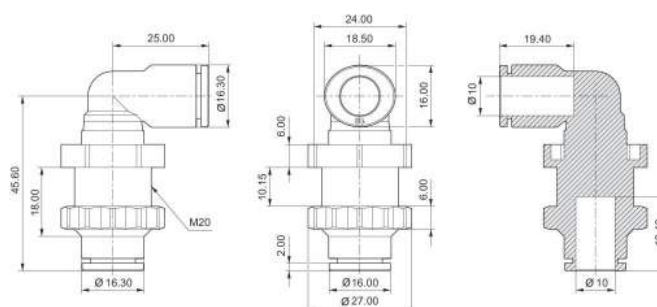
R412005375

Dimensions in mm



R412005376

Dimensions in mm



QR1-S-RMT standard series

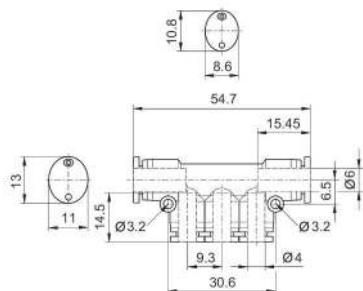
Compressed air connection type: Push-in fitting
 Compressed air connection type 2: Push-in fitting
 Ambient temperature min./max.: -20 °C ... 80 °C
 Medium temperature min./max.: -20 °C ... 80 °C
 Working pressure min./max.: -1 bar ... 16 bar



G	Ø D	Delivery unit [piece]	Material	Part No.
Ø 6	Ø 4	10	Polyamide	R412005346
Ø 8	Ø 4	10	Polyamide	R412005347
Ø 8	Ø 6	10	Polyamide	R412005348
Ø 10	Ø 6	10	Polyamide	R412005349
Ø 10	Ø 8	10	Polyamide	R412005350

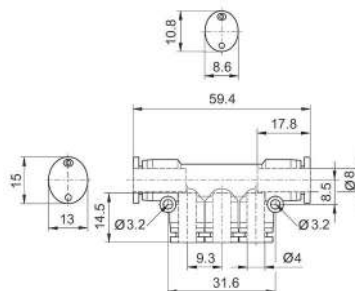
R412005346

Dimensions in mm



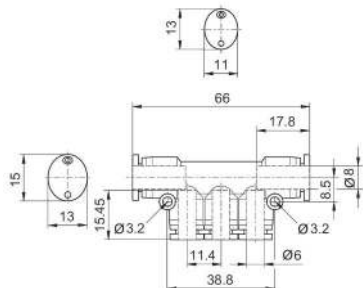
R412005347

Dimensions in mm



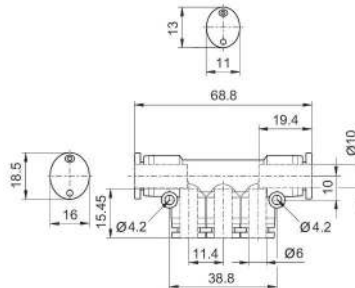
R412005348

Dimensions in mm



R412005349

Dimensions in mm



QR1-S-RTK standard series

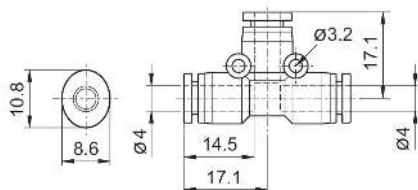
Compressed air connection type: Push-in fitting
 Compressed air connection type 2: Push-in fitting
 Ambient temperature min./max.: -20 °C ... 80 °C
 Medium temperature min./max.: -20 °C ... 80 °C
 Working pressure min./max.: -1 bar ... 16 bar



G	Ø D	Delivery unit [piece]	Material	Part No.
Ø 4	Ø 4	10	Polyamide	2121104000
Ø 6	Ø 6	10	Polyamide	2121106000
Ø 8	Ø 8	10	Polyamide	2121108000
Ø 10	Ø 10	10	Polyamide	2121110000
Ø 12	Ø 12	10	Polyamide	2121112000
Ø 14	Ø 14	5	Polyamide	2121114000
Ø 16	Ø 16	5	Polyamide	R412005025

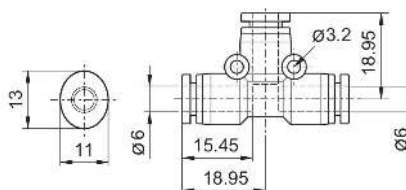
2121104000

Dimensions in mm



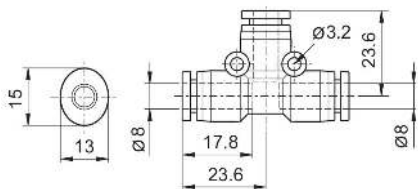
2121106000

Dimensions in mm



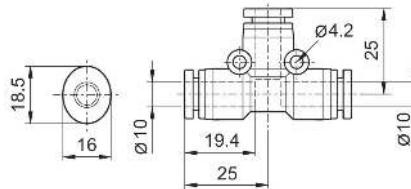
2121108000

Dimensions in mm



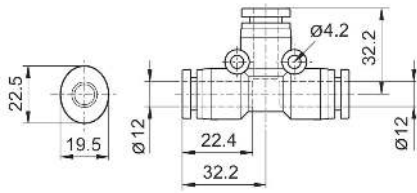
2121110000

Dimensions in mm



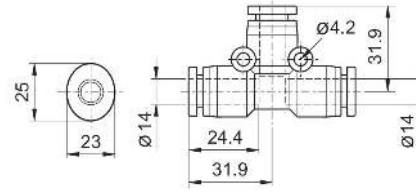
2121112000

Dimensions in mm



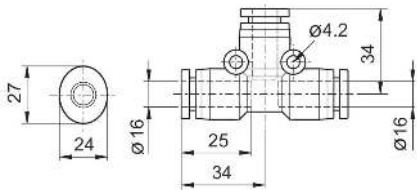
2121114000

Dimensions in mm



R412005025

Dimensions in mm



QR1-S-RTR standard series

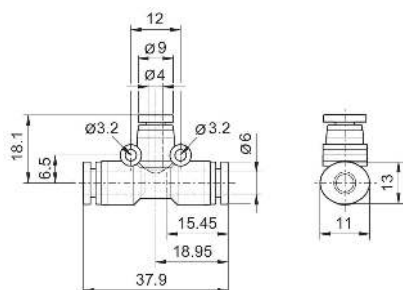
Compressed air connection type: Push-in fitting
 Compressed air connection type 2: Push-in fitting
 Ambient temperature min./max.: -20 °C ... 80 °C
 Medium temperature min./max.: -20 °C ... 80 °C
 Working pressure min./max.: -1 bar ... 16 bar



G	Ø D	Delivery unit [piece]	Material	Part No.
Ø 6	Ø 4	10	Polyamide	R412005026
Ø 8	Ø 4	10	Polyamide	R412005027
Ø 8	Ø 6	10	Polyamide	R412005028
Ø 10	Ø 6	10	Polyamide	R412005029
Ø 10	M8	10	Polyamide	R412005030
Ø 12	Ø 8	10	Polyamide	R412005031
Ø 12	Ø 10	10	Polyamide	R412005032

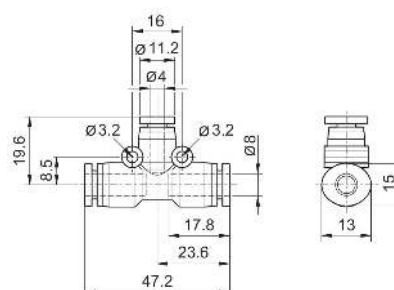
R412005026

Dimensions in mm



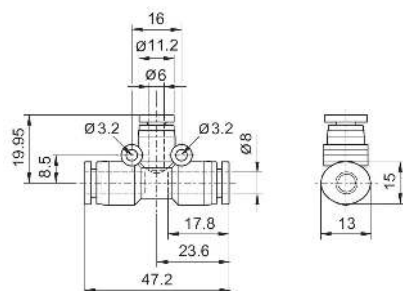
R412005027

Dimensions in mm



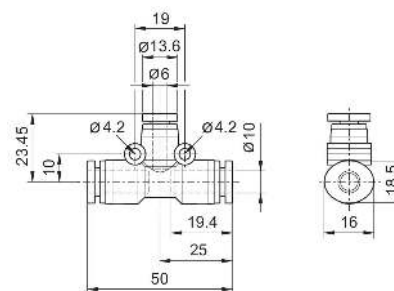
R412005028

Dimensions in mm



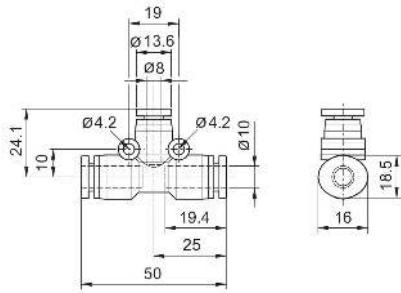
R412005029

Dimensions in mm



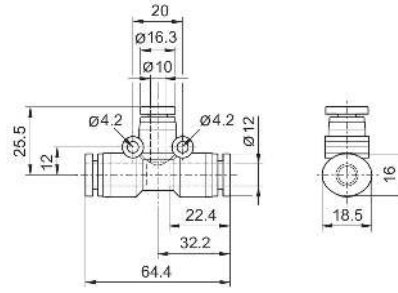
R412005030

Dimensions in mm



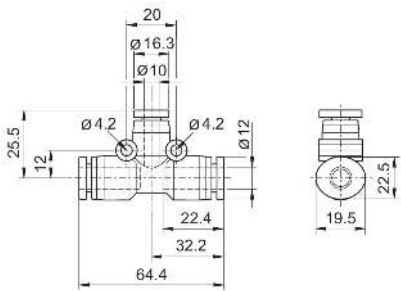
R412005031

Dimensions in mm



R412005032

Dimensions in mm



QR1-S-RYK standard series

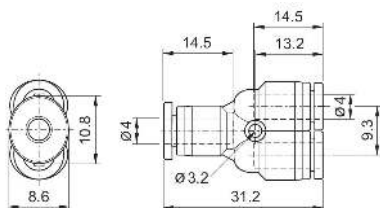
Compressed air connection type: Push-in fitting
 Compressed air connection type 2: Push-in fitting
 Ambient temperature min./max.: -20 °C ... 80 °C
 Medium temperature min./max.: -20 °C ... 80 °C
 Working pressure min./max.: -1 bar ... 16 bar



G	Ø D	Delivery unit [piece]	Material	Part No.
Ø 4	Ø 4	10	Polyamide	2121804000
Ø 6	Ø 6	10	Polyamide	2121806000
Ø 8	Ø 8	10	Polyamide	2121808000
Ø 10	Ø 10	10	Polyamide	2121810000
Ø 12	Ø 12	10	Polyamide	2121812000

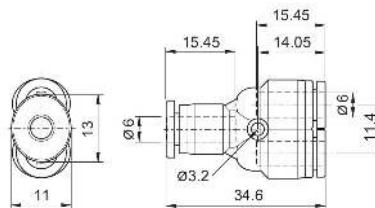
2121804000

Dimensions in mm



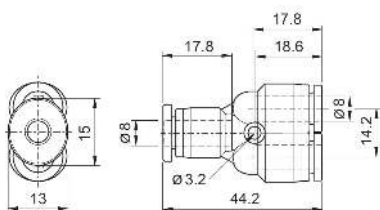
2121806000

Dimensions in mm



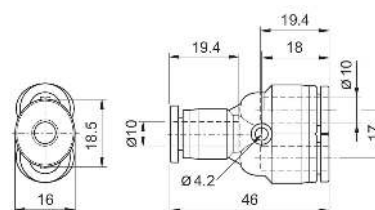
2121808000

Dimensions in mm



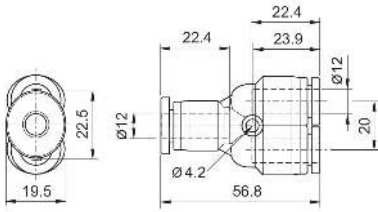
2121810000

Dimensions in mm



2121812000

Dimensions in mm



QR1-S-RYR standard series

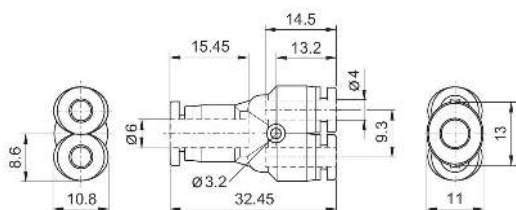
Compressed air connection type: Push-in fitting
 Compressed air connection type 2: Push-in fitting
 Ambient temperature min./max.: -20 °C ... 80 °C
 Medium temperature min./max.: -20 °C ... 80 °C
 Working pressure min./max.: -1 bar ... 16 bar



G	Ø D	Delivery unit [piece]	Material	Part No.
Ø 6	Ø 4	10	Polyamide	2121806040
Ø 8	Ø 4	10	Polyamide	R412005081
Ø 8	Ø 6	10	Polyamide	2121808060
Ø 10	Ø 6	10	Polyamide	R412005082
Ø 10	Ø 8	10	Polyamide	2121810080
Ø 12	Ø 8	10	Polyamide	R412005083
Ø 12	Ø 10	10	Polyamide	R412005080

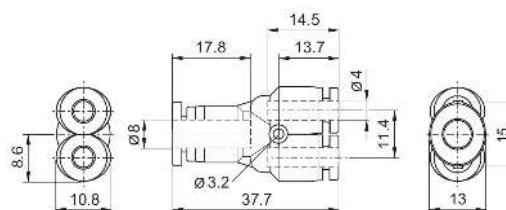
2121806040

Dimensions in mm



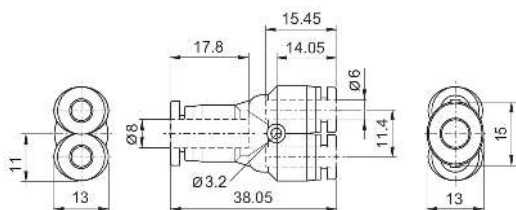
R412005081

Dimensions in mm



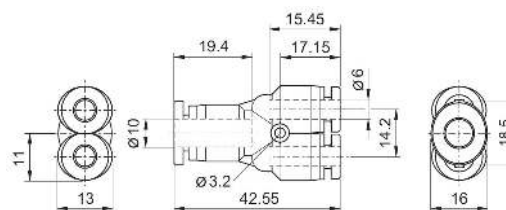
2121808060

Dimensions in mm



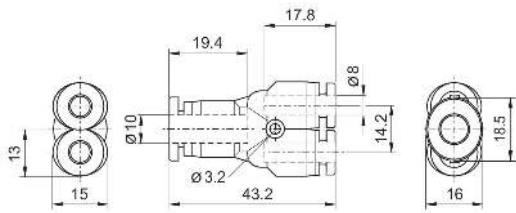
R412005082

Dimensions in mm



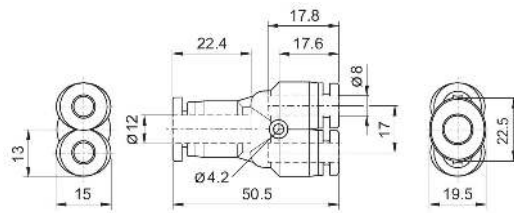
2121810080

Dimensions in mm



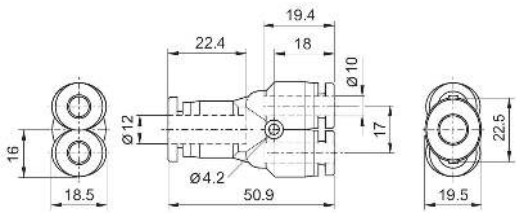
R412005083

Dimensions in mm



R412005080

Dimensions in mm



QR1-S-RYD standard series

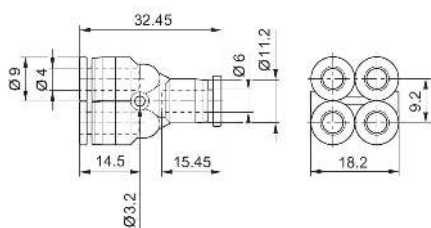
Compressed air connection type: Push-in fitting
 Compressed air connection type 2: Push-in fitting
 Ambient temperature min./max.: -20 °C ... 80 °C
 Medium temperature min./max.: -20 °C ... 80 °C
 Working pressure min./max.: -1 bar ... 16 bar



G	Ø D	Delivery unit [piece]	Material	Part No.
Ø 6	Ø 4	10	Polyamide	R412005344
Ø 8	Ø 6	10	Polyamide	R412005345

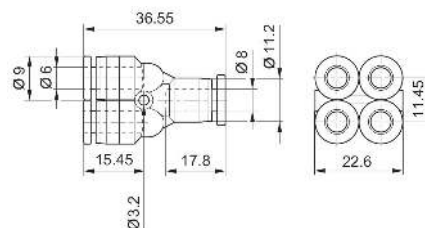
R412005344

Dimensions in mm



R412005345

Dimensions in mm



QR1-S-RXS standard series

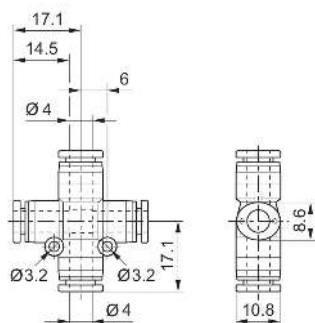
Compressed air connection type: Push-in fitting
 Compressed air connection type 2: Push-in fitting
 Ambient temperature min./max.: -20 °C ... 80 °C
 Medium temperature min./max.: -20 °C ... 80 °C
 Working pressure min./max.: -1 bar ... 16 bar



G	Ø D	Delivery unit [piece]	Material	Part No.
Ø 4	Ø 4	10	Polyamide	R412005361
Ø 6	Ø 6	10	Polyamide	R412005362
Ø 8	Ø 8	10	Polyamide	R412005363
Ø 10	Ø 10	10	Polyamide	R412005364

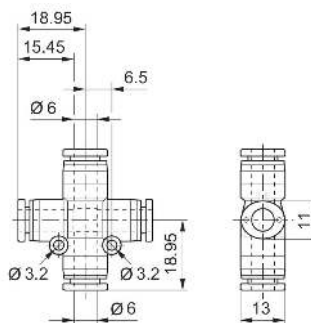
R412005361

Dimensions in mm



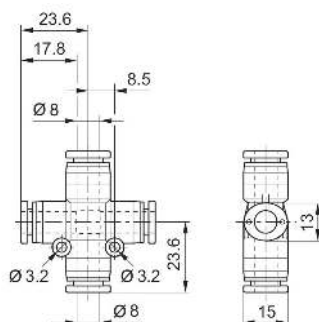
R412005362

Dimensions in mm



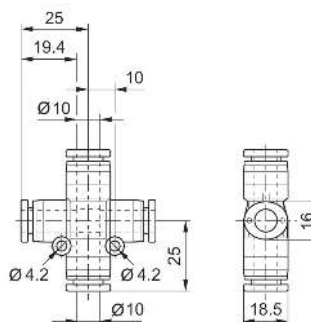
R412005363

Dimensions in mm



R412005364

Dimensions in mm



QR1-S-RED standard series

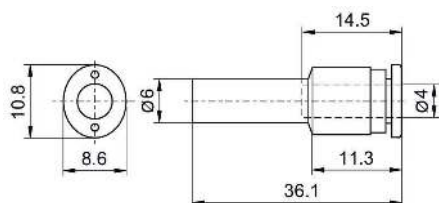
Compressed air connection type: Push-in fitting
 Compressed air connection type 2: pin bushing
 Ambient temperature min./max.: -20 °C ... 80 °C
 Medium temperature min./max.: -20 °C ... 80 °C
 Working pressure min./max.: -1 bar ... 16 bar



G	Ø D	Delivery unit [piece]	Material	Part No.
Ø 4	Ø 6	10	Polyamide	2121706040
Ø 4	Ø 8	10	Polyamide	2121708040
Ø 4	Ø 10	10	Polyoxymethylene	2121710040
Ø 6	Ø 8	10	Polyamide	2121708060
Ø 6	Ø 10	10	Polyamide	2121710060
Ø 6	Ø 12	10	Polyamide	2121712060
Ø 8	Ø 10	10	Polyamide	2121710080
Ø 8	Ø 12	10	Polyamide	2121712080
Ø 8	Ø 14	10	Polyamide	2121714080
Ø 10	Ø 12	10	Polyamide	2121712100
Ø 10	Ø 14	10	Polyamide	2121714100
Ø 12	Ø 14	10	Polyoxymethylene	2121714120

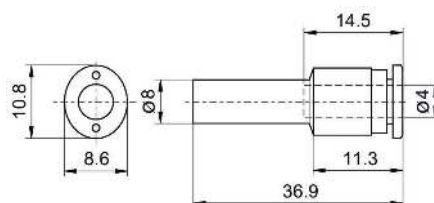
2121706040

Dimensions in mm



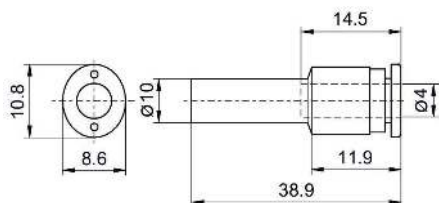
2121708040

Dimensions in mm



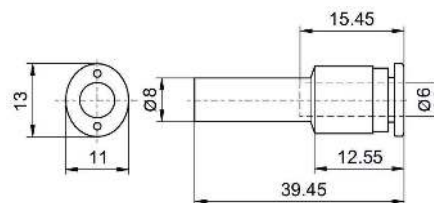
2121710040

Dimensions in mm



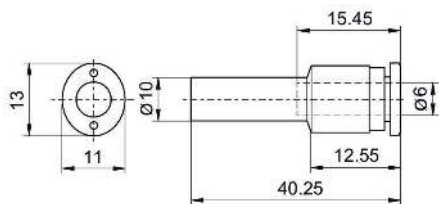
2121708060

Dimensions in mm



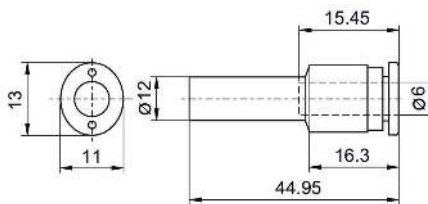
2121710060

Dimensions in mm



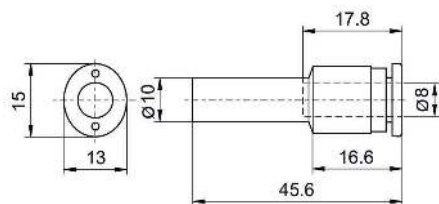
2121712060

Dimensions in mm



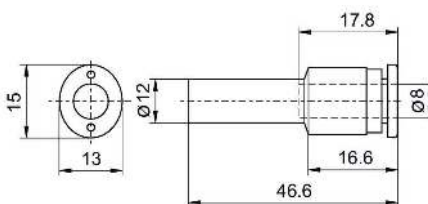
2121710080

Dimensions in mm



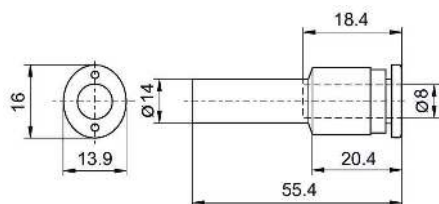
2121712080

Dimensions in mm



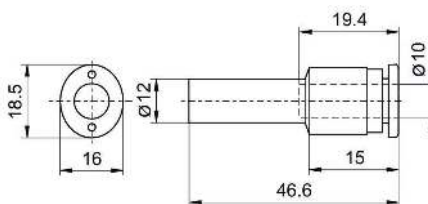
2121714080

Dimensions in mm



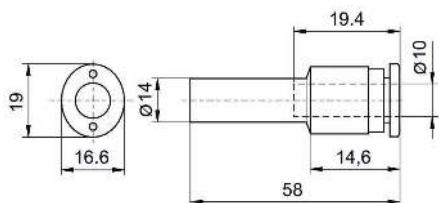
2121712100

Dimensions in mm



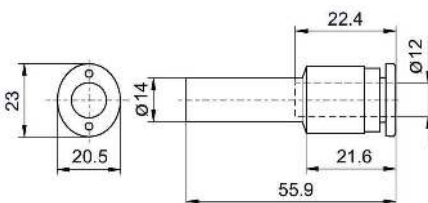
2121714100

Dimensions in mm



2121714120

Dimensions in mm



QR1-S-RVA standard series

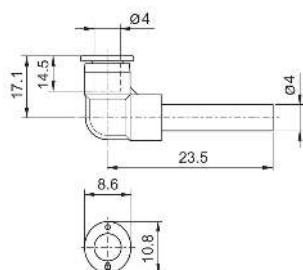
Compressed air connection type: pin bushing
 Compressed air connection type 2: Push-in fitting
 Ambient temperature min./max.: -20 °C ... 80 °C
 Medium temperature min./max.: -20 °C ... 80 °C
 Working pressure min./max.: -1 bar ... 16 bar



G	Ø D	Delivery unit [piece]	Material	Part No.
Ø 4	Ø 4	10	Polyamide	2121304040
Ø 6	Ø 6	10	Polyamide	2121306060
Ø 8	Ø 8	10	Polyamide	2121308080
Ø 10	Ø 10	10	Polyamide	2121310100
Ø 12	Ø 12	10	Polyamide	R412005036

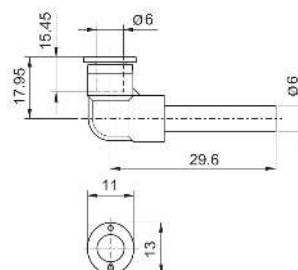
2121304040

Dimensions in mm



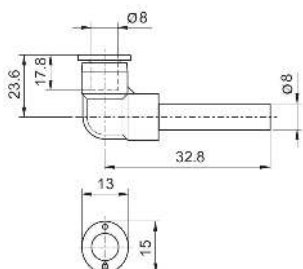
2121306060

Dimensions in mm



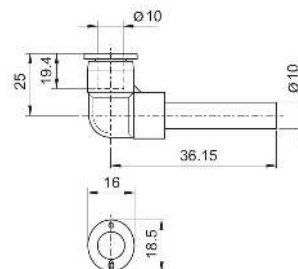
2121308080

Dimensions in mm



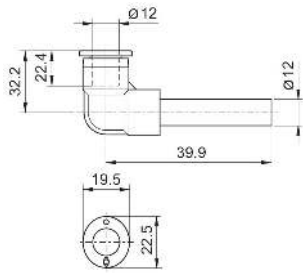
2121310100

Dimensions in mm



R412005036

Dimensions in mm



QR1-S-RLL standard series

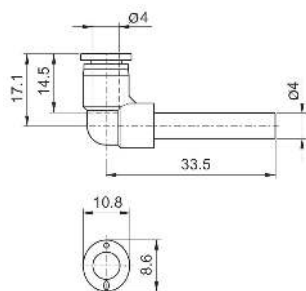
Compressed air connection type: Pin bushing, long
 Compressed air connection type 2: Push-in fitting
 Ambient temperature min./max.: -20 °C ... 80 °C
 Medium temperature min./max.: -20 °C ... 80 °C
 Working pressure min./max.: -1 bar ... 16 bar



G	Ø D	Delivery unit [piece]	Material	Part No.
Ø 4	Ø 4	10	Polyamide	R412005039
Ø 6	Ø 6	10	Polyamide	R412005040
Ø 8	Ø 8	10	Polyamide	R412005041
Ø 10	Ø 10	10	Polyamide	R412005042
Ø 12	Ø 12	10	Polyamide	R412005043

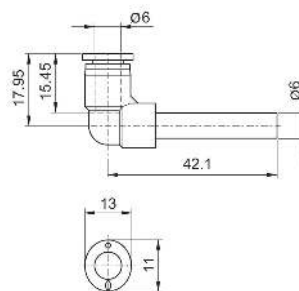
R412005039

Dimensions in mm



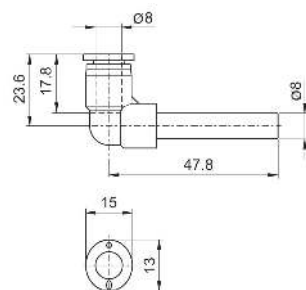
R412005040

Dimensions in mm



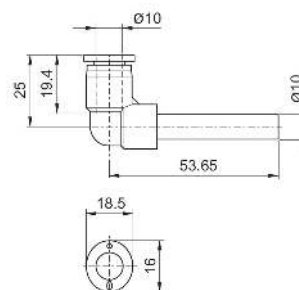
R412005041

Dimensions in mm



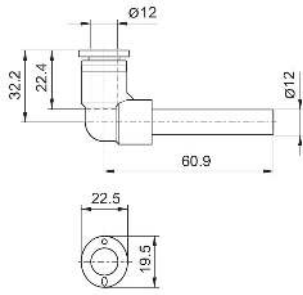
R412005042

Dimensions in mm



R412005043

Dimensions in mm



QR1-S-RVR standard series

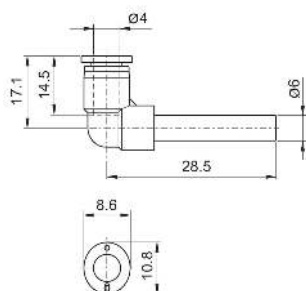
Compressed air connection type: Push-in fitting, reducing
 Compressed air connection type 2: pin bushing
 Ambient temperature min./max.: -20 °C ... 80 °C
 Medium temperature min./max.: -20 °C ... 80 °C
 Working pressure min./max.: -1 bar ... 16 bar



G	Ø D	Delivery unit [piece]	Material	Part No.
Ø 4	Ø 6	10	Polyamide	2121304060
Ø 6	Ø 8	10	Polyamide	2121306080
Ø 8	Ø 10	10	Polyamide	R412005034

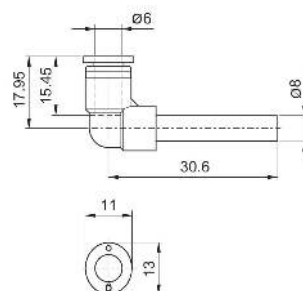
2121304060

Dimensions in mm



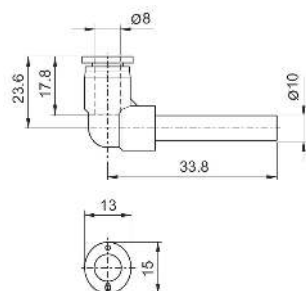
2121306080

Dimensions in mm



R412005034

Dimensions in mm



QR1-S-RTC standard series

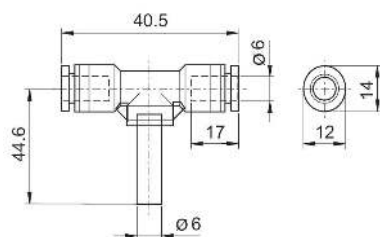
Compressed air connection type: pin bushing
 Compressed air connection type 2: Push-in fitting
 Ambient temperature min./max.: -20 °C ... 80 °C
 Medium temperature min./max.: -20 °C ... 80 °C
 Working pressure min./max.: -1 bar ... 16 bar



G	Ø D	Delivery unit [piece]	Material	Part No.
Ø 6	Ø 6	10	Polyamide	2122706000
Ø 8	Ø 8	10	Polyamide	2122708000
Ø 12	Ø 12	10	Polyamide	R412010596

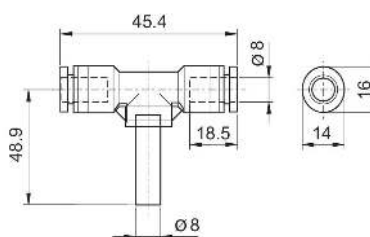
2122706000

Dimensions in mm



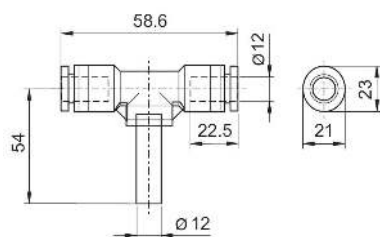
2122708000

Dimensions in mm



R412010596

Dimensions in mm



QR1-S-RY2 standard series

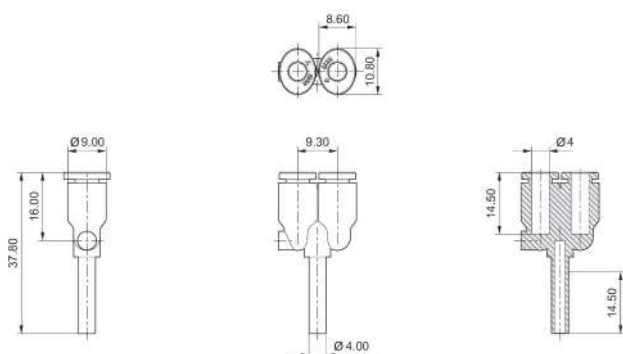
Compressed air connection type: pin bushing
 Compressed air connection type 2: Push-in fitting
 Ambient temperature min./max.: -20 °C ... 80 °C
 Medium temperature min./max.: -20 °C ... 80 °C
 Working pressure min./max.: -1 bar ... 16 bar



G	Ø D	Delivery unit [piece]	Material	Part No.
Ø 4	Ø 4	10	Polyamide	R412005332
Ø 6	Ø 6	10	Polyamide	R412005333
Ø 8	Ø 8	10	Polyamide	R412005334
Ø 10	Ø 10	10	Polyamide	R412005335
Ø 12	Ø 12	10	Polyamide	R412005336

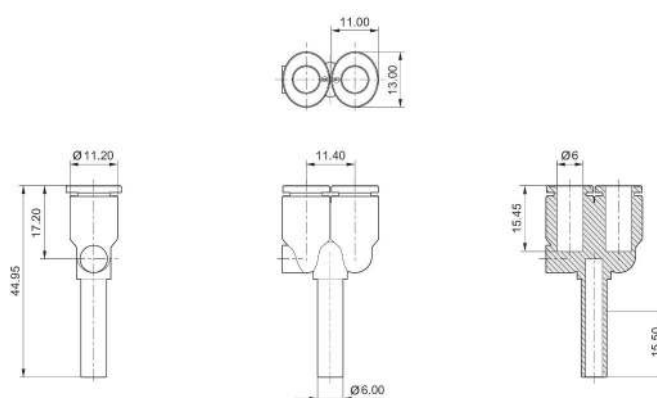
R412005332

Dimensions in mm



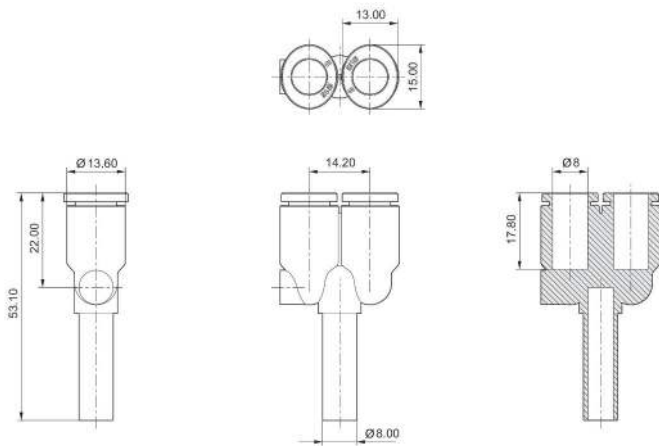
R412005333

Dimensions in mm



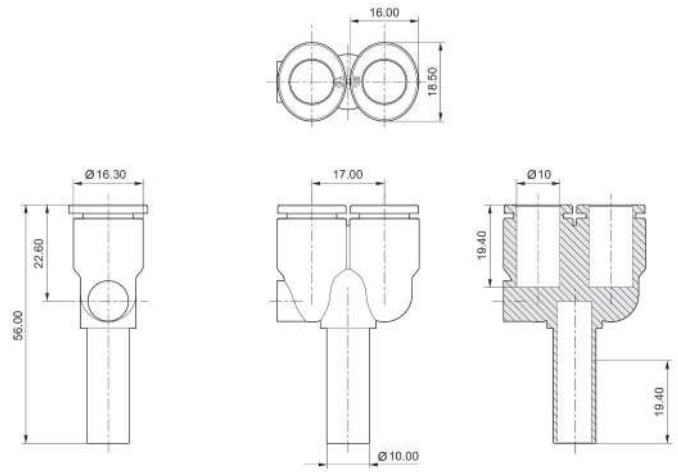
R412005334

Dimensions in mm



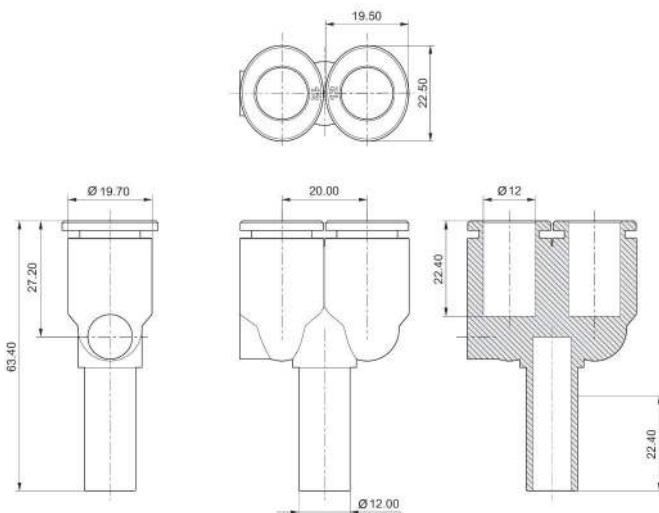
R412005335

Dimensions in mm



R412005336

Dimensions in mm



QR1-S-R2R standard series

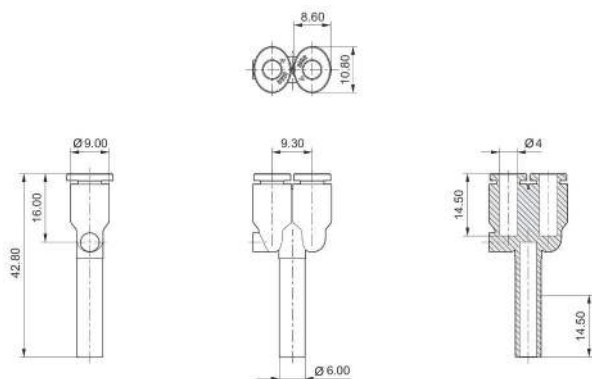
Compressed air connection type: Push-in fitting
 Compressed air connection type 2: pin bushing
 Ambient temperature min./max.: -20 °C ... 80 °C
 Medium temperature min./max.: -20 °C ... 80 °C
 Working pressure min./max.: -1 bar ... 16 bar



G	Ø D	Delivery unit [piece]	Material	Part No.
Ø 4	Ø 6	10	Polyamide	R412005337
Ø 6	Ø 8	10	Polyamide	R412005338
Ø 8	Ø 10	10	Polyamide	R412005339
Ø 10	Ø 12	10	Polyamide	R412005340

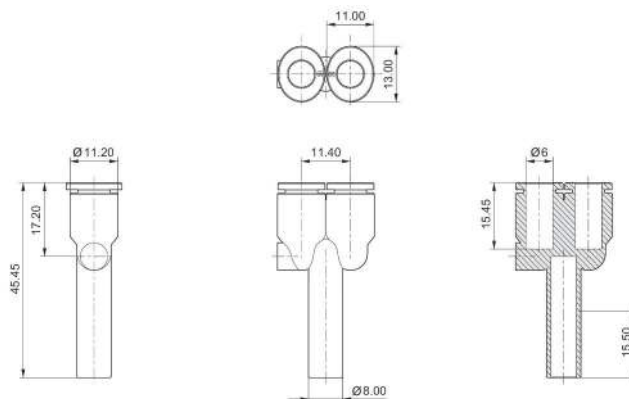
R412005337

Dimensions in mm



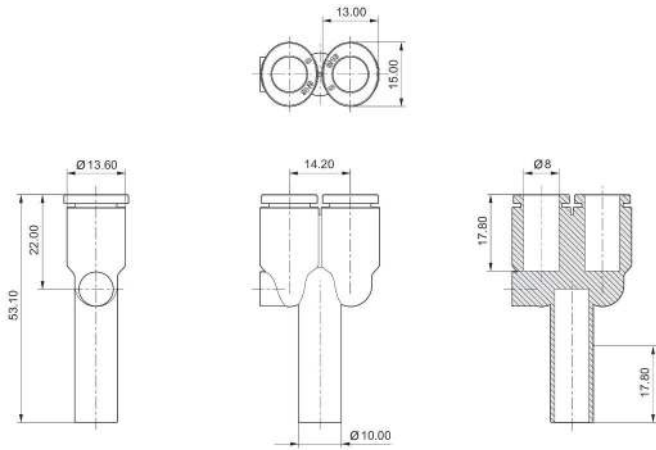
R412005338

Dimensions in mm



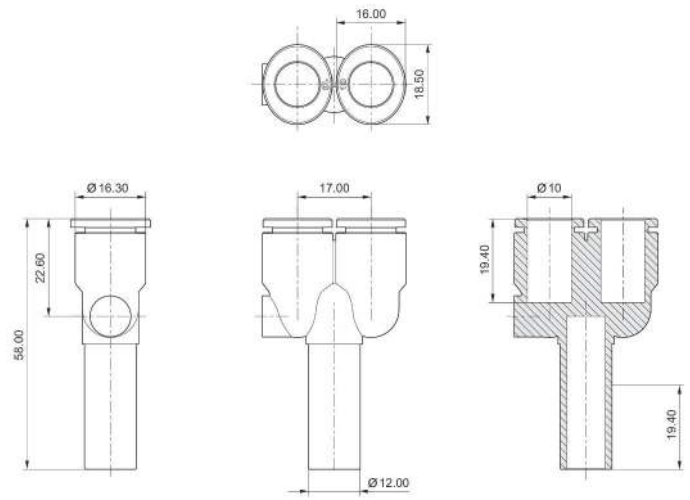
R412005339

Dimensions in mm



R412005340

Dimensions in mm



QR1-S-RY4 standard series

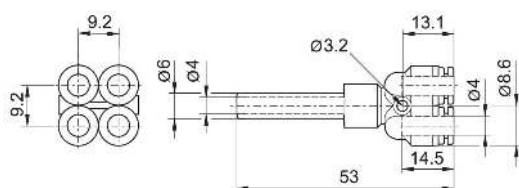
Compressed air connection type: pin bushing
 Compressed air connection type 2: Push-in fitting
 Ambient temperature min./max.: -20 °C ... 80 °C
 Medium temperature min./max.: -20 °C ... 80 °C
 Working pressure min./max.: -1 bar ... 16 bar



G	Ø D	Delivery unit [piece]	Material	Part No.
Ø 4	Ø 6	10	Polyamide	R412005341
Ø 4	Ø 8	10	Polyamide	R412005342

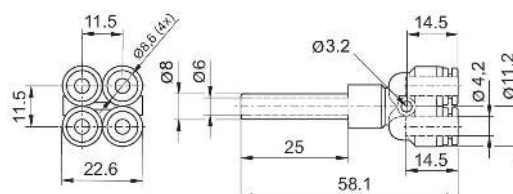
R412005341

Dimensions in mm



R412005342

Dimensions in mm



QR1-S-RCA standard series

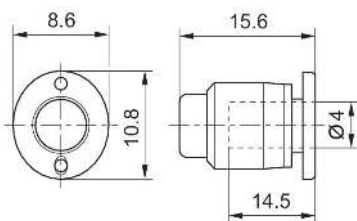
Compressed air connection type: Push-in fitting
 Ambient temperature min./max.: -20 °C ... 80 °C
 Medium temperature min./max.: -20 °C ... 80 °C
 Working pressure min./max.: -1 bar ... 16 bar



G	Delivery unit [piece]	Material	Part No.
Ø 4	20	Polyamide	R412005111
Ø 6	20	Polyamide	R412005112
Ø 8	20	Polyamide	R412005113
Ø 10	20	Polyamide	R412005114
Ø 12	20	Polyamide	R412005115

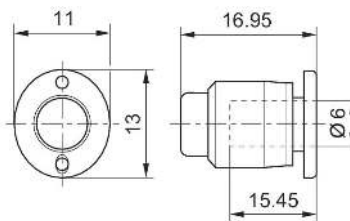
R412005111

Dimensions in mm



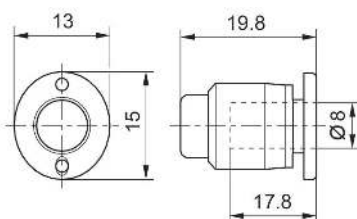
R412005112

Dimensions in mm



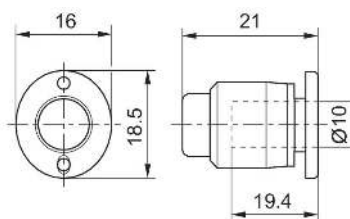
R412005113

Dimensions in mm



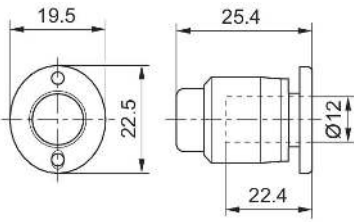
R412005114

Dimensions in mm



R412005115

Dimensions in mm



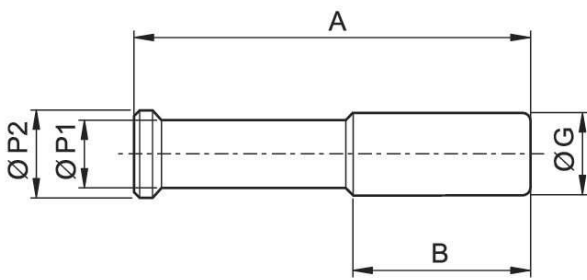
QR1-S-RBS standard series

Compressed air connection type: pin bushing
 Ambient temperature min./max.: -20 °C ... 80 °C
 Medium temperature min./max.: -20 °C ... 80 °C
 Working pressure min./max.: -1 bar ... 16 bar



G	Delivery unit [piece]	Material	Part No.
Ø 4	20	Polybutyleneterephthalate	2123204000
Ø 6	20	Polybutyleneterephthalate	2123206000
Ø 8	20	Polybutyleneterephthalate	2123208000
Ø 10	20	Polybutyleneterephthalate	2123210000
Ø 12	20	Polybutyleneterephthalate	2123212000
Ø 14	10	Polybutyleneterephthalate	2123214000
Ø16	10	Polybutyleneterephthalate	R412005331

Dimensions



Part No.	Port G	A	B	Ø P1	Ø P2
2123204000		28	16	3	4
2123206000		32	17	4	6
2123208000		39	21,5	5	9
2123210000		42	21	8	10
2123212000		44	30	8	12
2123214000		45	24.6	8	14
R412005331		46	24.8	10	16

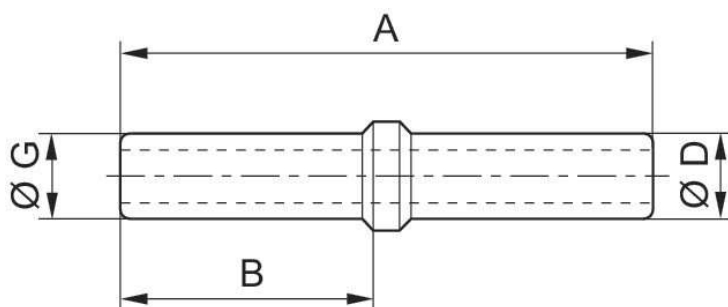
QR1-S-RDS standard series

Compressed air connection type: pin bushing
 Compressed air connection type 2: pin bushing
 Ambient temperature min./max.: -20 °C ... 80 °C
 Medium temperature min./max.: -20 °C ... 80 °C
 Working pressure min./max.: -1 bar ... 16 bar



G	Ø D	Delivery unit [piece]	Material	Part No.
Ø 4	Ø 4	10	Polybutyleneterephthalate	2123104000
Ø 6	Ø 6	10	Polybutyleneterephthalate	2123106000
Ø 8	Ø 8	10	Polybutyleneterephthalate	2123108000
Ø 10	Ø 10	10	Polybutyleneterephthalate	2123110000
Ø 12	Ø 12	10	Polybutyleneterephthalate	2123112000

Dimensions



Part No.	Port D	Port G	A	B
2123104000	Ø 4	Ø 4	37,5	17,8
2123106000	Ø 6	Ø 6	39,7	18,7
2123108000	Ø 8	Ø 8	43,4	20,7
2123110000	Ø 10	Ø 10	47,2	22,6
2123112000	Ø 12	Ø 12	53	25,5
tablefooter				

QR1-S-RDR standard series

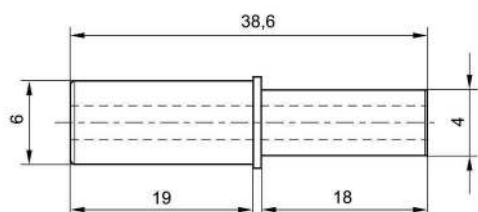
Compressed air connection type: pin bushing
 Compressed air connection type 2: pin bushing
 Ambient temperature min./max.: -20 °C ... 80 °C
 Medium temperature min./max.: -20 °C ... 80 °C
 Working pressure min./max.: -1 bar ... 16 bar



G	Ø D	Delivery unit [piece]	Material	Part No.
Ø 6	Ø 4	10	Polybutyleneterephthalate	R412005323
Ø 8	Ø 4	10	Polybutyleneterephthalate	R412005324
Ø 8	Ø 6	10	Polybutyleneterephthalate	R412005325
Ø 10	Ø 6	10	Polybutyleneterephthalate	R412005326
Ø 10	Ø 8	10	Polybutyleneterephthalate	R412005327
Ø 12	Ø 8	10	Polybutyleneterephthalate	R412005328
Ø 12	Ø 10	10	Polybutyleneterephthalate	R412005329

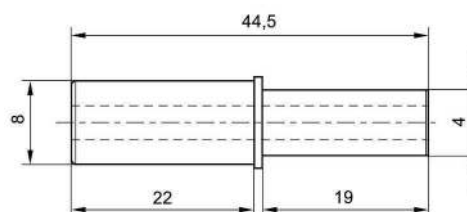
R412005323

Dimensions in mm



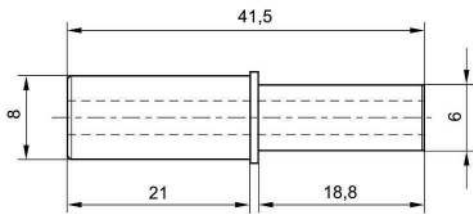
R412005324

Dimensions in mm



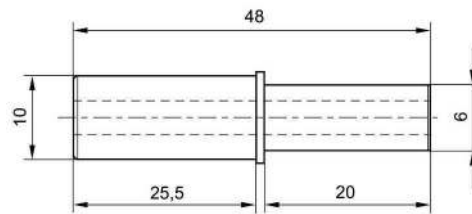
R412005325

Dimensions in mm



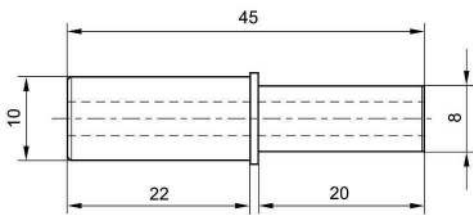
R412005326

Dimensions in mm



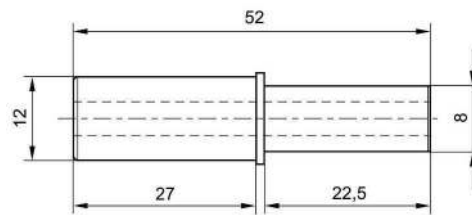
R412005327

Dimensions in mm



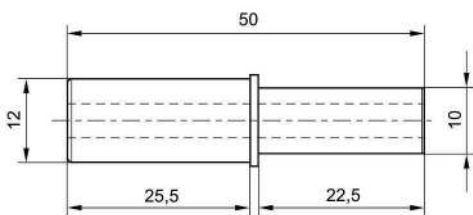
R412005328

Dimensions in mm



R412005329

Dimensions in mm



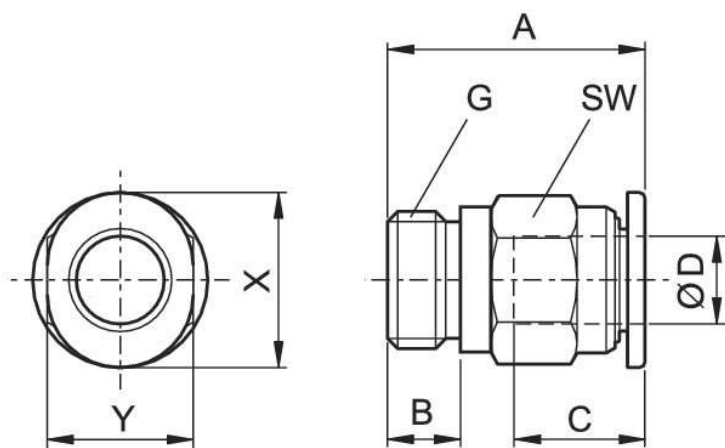
Series QR1-S-MAN Mini

Compressed air connection type: External thread
 Compressed air connection type 2: Push-in fitting
 Ambient temperature min./max.: 0 °C ... 60 °C
 Working pressure min./max.: -0.95 bar ... 10 bar



G	Ø D	Delivery unit [piece]	Material	Part No.
M3	Ø 3	25	Brass	R412005116
M3	Ø 4	25	Brass	R412005117
M5	Ø 3	25	Brass	R412005118
M5	Ø 4	25	Brass	R412005119
M5	Ø 6	25	Brass	R412005120
M6	Ø 3	25	Brass	R412005121
M6	Ø 4	25	Brass	R412005122
M6	Ø 6	25	Brass	R412005123
G 1/8	Ø 4	25	Brass	R412005124
G 1/8	Ø 6	25	Brass	R412005125

Dimensions



Part No.	Port D	Port G	A	B	C	SW	X	Y
R412005116	Ø 3	M3	13.6	3	9.5	6	7	6
R412005117	Ø 4	M3	17.2	3	11.5	8	10	8
R412005118	Ø 3	M5	16.2	4	9.5	8	7	6
R412005119	Ø 4	M5	16.2	4	11.5	8	10	8
R412005120	Ø 6	M5	17.3	4 M3	12.5	10	12	10
R412005121	Ø 3	M6	17	5	9.5	8	7	6
R412005122	Ø 4	M6	17.4	5	11.5	8	10	8
R412005123	Ø 6	M6	18.3	5	12.5	10	12	10
R412005124	Ø 4	G 1/8	12.7	5	11.5	10	10	8
R412005125	Ø 6	G 1/8	14.9	5	12.5	10	12	10

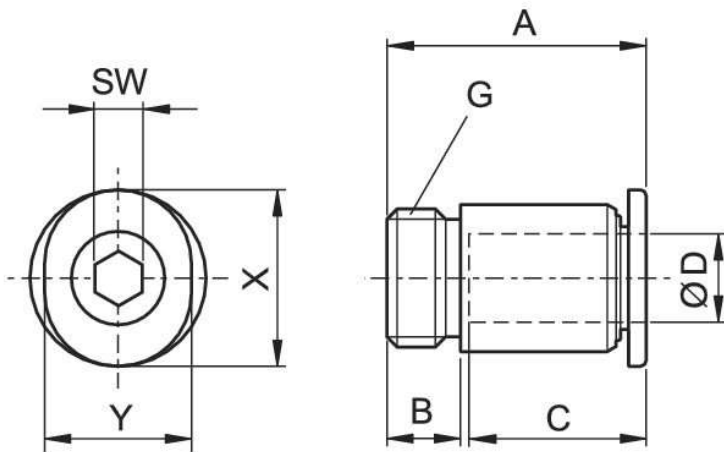
Series QR1-S-MIN Mini

Compressed air connection type: External thread
 Compressed air connection type 2: Push-in fitting
 Ambient temperature min./max.: 0 °C ... 60 °C
 Working pressure min./max.: -0.95 bar ... 10 bar



G	Ø D	Delivery unit [piece]	Material	Part No.
M3	Ø 3	25	Brass	R412005264
M3	Ø 4	25	Brass	R412005265
M5	Ø 3	25	Brass	R412005266
M5	Ø 4	25	Brass	R412005267
M5	Ø 6	25	Brass	R412005268
M6	Ø 3	25	Brass	R412005269
M6	Ø 4	25	Brass	R412005270
M6	Ø 6	25	Brass	R412005271
M7	Ø 4	25	Brass	R412005272
M7	Ø 6	25	Brass	R412005273
G 1/8	Ø 4	25	Brass	R412005274
G 1/8	Ø 6	25	Brass	R412005275

Dimensions



Part No.	Port D	Port G	A	B	C	SW	X	Y
R412005264	Ø 3	M3	15.9	3	9.5	1.5	7	6
R412005265	Ø 4	M3	18	3	11.5	1.5	10	8
R412005266	Ø 3	M5	18	4	9.5	2	7	6
R412005267	Ø 4	M5	16.3	4	11.5	2.5	10	8
R412005268	Ø 6	M5	17.8	4	12.5	2.5	12	10
R412005269	Ø 3	M6	20.2	5	9.5	3	7	6
R412005270	Ø 4	M6	20.2	5	11.5	3	10	8
R412005271	Ø 6	M6	18.8	5	12.5	3	12	10
R412005272	Ø 4	M7	21.4	5	11.5	3	10	8
R412005273	Ø 6	M7	20.1	5	12.5	3	12	10
R412005274	Ø 4	G 1/8	17	5	11.5	3	10	8
R412005275	Ø 6	G 1/8	20.6	5	12.5	4	12	10

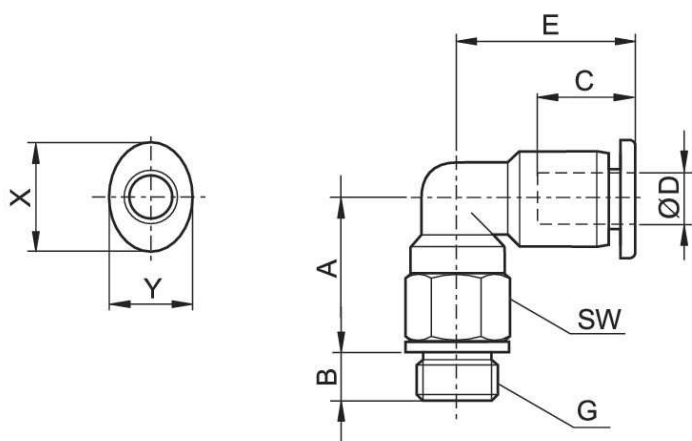
Series QR1-S-MVT Mini

Compressed air connection type: External thread
 Compressed air connection type 2: Push-in fitting
 Ambient temperature min./max.: 0 °C ... 60 °C
 Working pressure min./max.: -0.95 bar ... 10 bar



G	Ø D	Delivery unit [piece]	Material	Part No.
M3	Ø 3	25	Polybutyleneterephthalate	R412005284
M3	Ø 4	25	Polybutyleneterephthalate	R412005285
M5	Ø 3	25	Polybutyleneterephthalate	R412005286
M5	Ø 4	25	Polybutyleneterephthalate	R412005287
M5	Ø 6	25	Polybutyleneterephthalate	R412005288
M6	Ø 3	25	Polybutyleneterephthalate	R412005289
M6	Ø 6	25	Polybutyleneterephthalate	R412005627
M6	Ø 4	25	Polybutyleneterephthalate	R412005628
M7	Ø 4	25	Polybutyleneterephthalate	R412005377
M7	Ø 6	25	Polybutyleneterephthalate	R412005378
G 1/8	Ø 4	25	Polybutyleneterephthalate	R412005379
G 1/8	Ø 6	25	Polybutyleneterephthalate	R412005380

Dimensions



Part No.	Port D	Port G	A	B	C	E	SW	X	Y
R412005284	Ø 3	M3	10.4	3	9.5	11.2	6	7	6
R412005285	Ø 4	M3	12	3	11.5	15.6	8	10	8
R412005286	Ø 3	M5	11.3	3.5	9.5	11.2	8	7	6
R412005287	Ø 4	M5	11.6	3.5	11.5	15.6	8	10	8
R412005288	Ø 6	M5	12.9	3.5	12.5	16.9	8	12	10
R412005289	Ø 3	M6	11.9	4.5	9.5	11.2	8	7	6
R412005628	Ø 4	M6	11.6	4.5	12.5	15.6	8	12	10
R412005627	Ø 6	M6	12.9	4.5	11.5	16.9	10	10	8
R412005377	Ø 4	M7	13.7	5.5	11.5	15.6	8	10	8
R412005378	Ø 6	M7	15	5.5	12.5	16.9	8	12	10
R412005379	Ø 4	G 1/8	12.6	5	11.5	15.6	12	10	8
R412005380	Ø 6	G 1/8	17	5	12.5	16.9	10	12	10

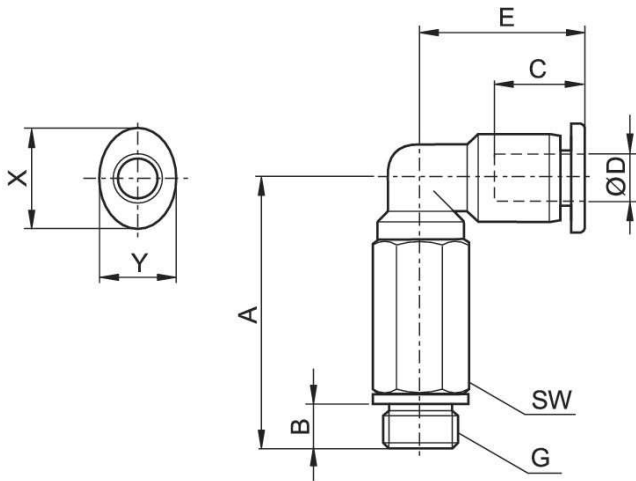
Series QR1-S-MVL Mini

Compressed air connection type: External thread
 Compressed air connection type 2: Push-in fitting
 Ambient temperature min./max.: 0 °C ... 60 °C
 Working pressure min./max.: -0.95 bar ... 10 bar



G	Ø D	Delivery unit [piece]	Material	Part No.
M3	Ø 3	25	Polybutyleneterephthalate	R412005381
M3	Ø 4	25	Polybutyleneterephthalate	R412005382
M5	Ø 4	25	Polybutyleneterephthalate	R412005384
M5	Ø 6	25	Polybutyleneterephthalate	R412005385
G 1/8	Ø 4	25	Polybutyleneterephthalate	R412005390
G 1/8	Ø 6	25	Polybutyleneterephthalate	R412005391

Dimensions



Part No.	Port D	Port G	A	B	C	E	SW	X	Y
R412005381	Ø 3	M3	19.4	3	9.5	11.2	6	7	6
R412005382	Ø 4	M3	23	3	11.5	15.6	8	10	8
R412005384	Ø 4	M5	26	4	11.5	15.6	8	10	8
R412005385	Ø 6	M5	26	4	12.5	16.9	8	12	10
R412005390	Ø 4	G 1/8	25.1	5	11.5	15.6	10	10	8
R412005391	Ø 6	G 1/8	26.4	5	12.5	16.9	10	12	10

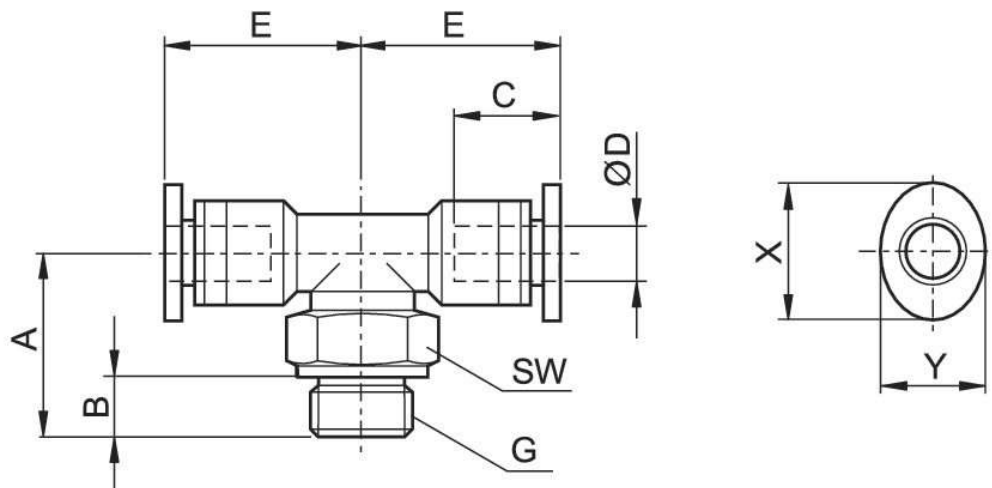
Series QR1-S-MTT Mini

Compressed air connection type: External thread
 Compressed air connection type 2: Push-in fitting
 Ambient temperature min./max.: 0 °C ... 60 °C
 Working pressure min./max.: -0.95 bar ... 10 bar



G	Ø D	Delivery unit [piece]	Material	Part No.
M5	Ø 4	25	Polybutyleneterephthalate	R412005395
M5	Ø 6	25	Polybutyleneterephthalate	R412005396
G 1/8	Ø 4	25	Polybutyleneterephthalate	R412005400
G 1/8	Ø 6	25	Polybutyleneterephthalate	R412005401

Dimensions



Part No.	Port D	Port G	A	B	C	E	SW	X	Y
R412005395	Ø 4 M5 M5	M5	15	4	11.5	13.1	8	10	8
R412005396	Ø 6	M5	16	4	12.5	14.4	8	12	10
R412005400	Ø 4	G 1/8	13.4	5	11.5	13.1	12	10	8
R412005401	Ø 6	G 1/8	14.4	5	12.5	14.4	10	12	10

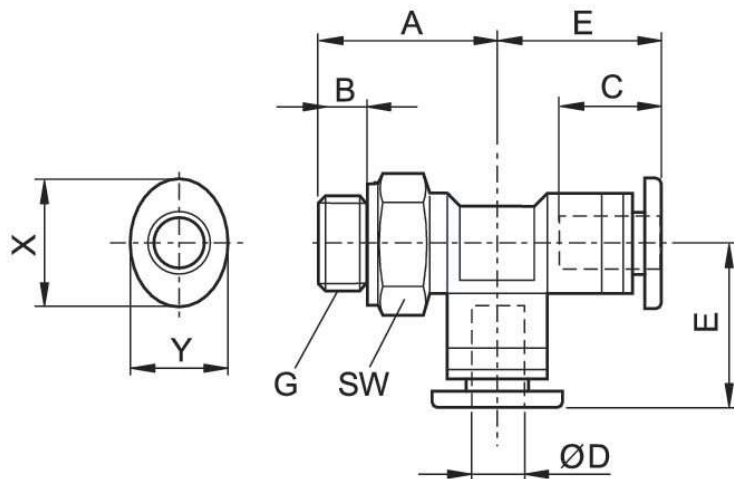
Series QR1-S-MLT Mini

Compressed air connection type: External thread
 Compressed air connection type 2: Push-in fitting
 Ambient temperature min./max.: 0 °C ... 60 °C
 Working pressure min./max.: -0.95 bar ... 10 bar



G	Ø D	Delivery unit [piece]	Material	Part No.
M5	Ø 4	25	Polybutyleneterephthalate	R412005405
M5	Ø 6	25	Polybutyleneterephthalate	R412005406
G 1/8	Ø 4	25	Polybutyleneterephthalate	R412005410
G 1/8	Ø 6	25	Polybutyleneterephthalate	R412005411

Dimensions



Part No.	Port D	Port G	A	B	C	E	SW	X	Y
R412005405	Ø 4	M5	15	4	11.5	13.1	8	10	8
R412005406	Ø 6	M5	17	4	12.5	14.4	8	12	10
R412005410	Ø 4	G 1/8	13.4	5	11.5	13.1	10	10	8
R412005411	Ø 6	G 1/8	15	5	12.5	14.4	10	12	10

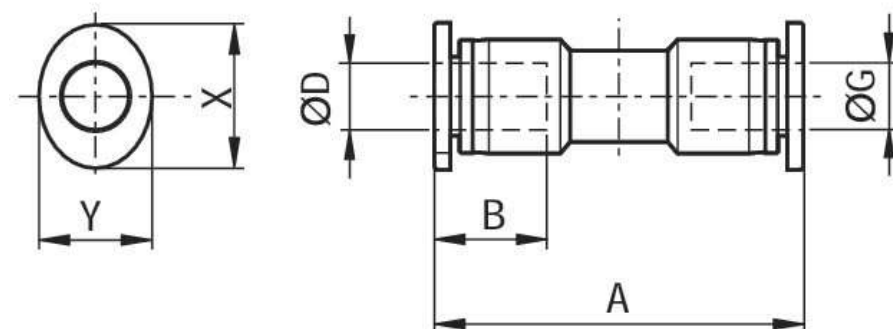
Series QR1-S-MSK Mini

Compressed air connection type: Push-in fitting
 Compressed air connection type 2: Push-in fitting
 Ambient temperature min./max.: 0 °C ... 60 °C
 Working pressure min./max.: -0.95 bar ... 10 bar



G	Ø D	Delivery unit [piece]	Material	Part No.
Ø 3	Ø 3	25	Polybutyleneterephthalate	R412005412
Ø 4	Ø 4	25	Polybutyleneterephthalate	R412005413
Ø 6	Ø 6	25	Polybutyleneterephthalate	R412005414

Dimensions



Part No.	Port D	Port G	A	B	X	Y
R412005412	Ø 3	Ø 3	20.4	9.5	7	6
R412005413	Ø 4	Ø 4	23.8	11.5	10	8
R412005414	Ø 6	Ø 6	25.1	12.5	12	10

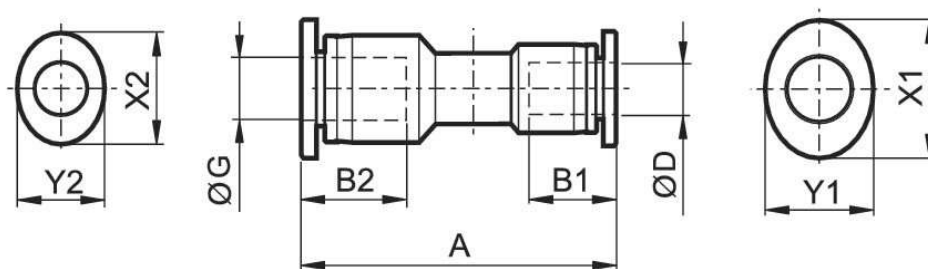
Series QR1-S-MSR Mini

Compressed air connection type: Push-in fitting
 Compressed air connection type 2: Push-in fitting
 Ambient temperature min./max.: 0 °C ... 60 °C
 Working pressure min./max.: -0.95 bar ... 10 bar



G	Ø D	Delivery unit [piece]	Material	Part No.
Ø 4	Ø 3	25	Polybutyleneterephthalate	R412005415
Ø 6	Ø 4	25	Polybutyleneterephthalate	R412005416

Dimensions



Part No.	Port D	Port G	A	B1	B2	X1	X2	Y1	Y2
R412005415	Ø 3	Ø 4	22.5	9.5	11.5	7	10	6	8
R412005416	Ø 4	Ø 6	24	11.5	12.5	10	12	8	10

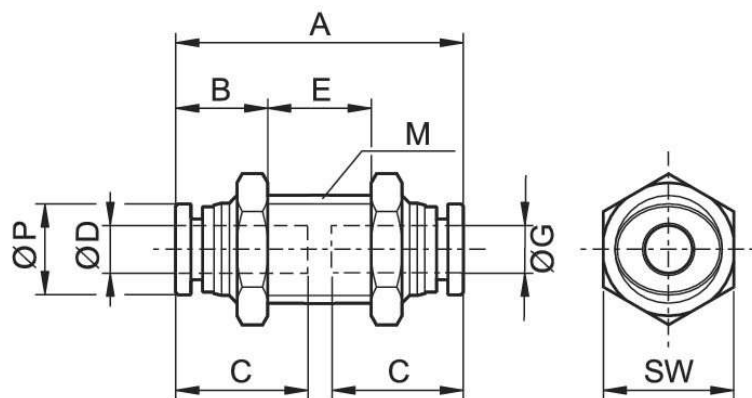
Series QR1-S-MSM Mini

Compressed air connection type: Push-in fitting
 Compressed air connection type 2: Push-in fitting
 Ambient temperature min./max.: 0 °C ... 60 °C
 Working pressure min./max.: -0.95 bar ... 10 bar



G	Ø D	Delivery unit [piece]	Material	Part No.
Ø 4	Ø 4	25	Brass	R412005418
Ø 6	Ø 6	25	Brass	R412005419

Dimensions



Part No.	Port D	Port G	M	A	B	C	E	SW	Ø P
R412005418	Ø 4	Ø 4	M10x1,0	24	9	11.5	7.5	12	8
R412005419	Ø 6	Ø 6	M12x1,0	25.9	10.5	12.5	6	14	10.5

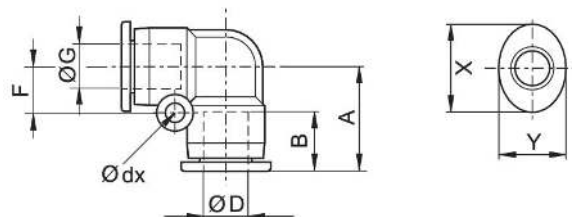
Series QR1-S-MVK Mini

Compressed air connection type: Push-in fitting
 Compressed air connection type 2: Push-in fitting
 Ambient temperature min./max.: 0 °C ... 60 °C
 Working pressure min./max.: -0.95 bar ... 10 bar



G	Ø D	Delivery unit [piece]	Material	Part No.
Ø 3	Ø 3	25	Polybutyleneterephthalate	R412005423
Ø 4	Ø 4	25	Polybutyleneterephthalate	R412005424
Ø 6	Ø 6	25	Polybutyleneterephthalate	R412005425

Dimensions



Part No.	Port D	Port G	Ø dx	A	B	F	X	Y
R412005423	Ø 3	Ø 3	3.2	11.4	9.5	4.5	7	6
R412005424	Ø 4	Ø 4	3.2	13.9	11.5	5.8	10	8
R412005425	Ø 6	Ø 6	3.2	15.4	12.5	6.5	12	10

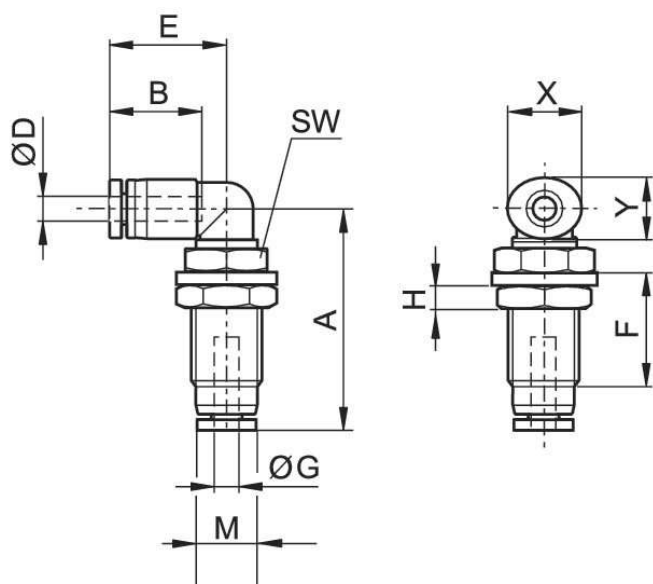
Series QR1-S-MVS Mini

Compressed air connection type: Push-in fitting
 Compressed air connection type 2: Push-in fitting
 Ambient temperature min./max.: 0 °C ... 60 °C
 Working pressure min./max.: -0.95 bar ... 10 bar



G	Ø D	Delivery unit [piece]	Material	Part No.
Ø 4	Ø 4	25	Polybutyleneterephthalate	R412005421
Ø 6	Ø 6	25	Polybutyleneterephthalate	R412005422

Dimensions



Part No.	Port D	Port G	M	A	B	E	F	H	SW
R412005421	Ø 4	Ø 4	M10x1,0	24.4	11.5	15.3	13	3	12
R412005422	Ø 6	Ø 6	M12x1,0	31.5	12.5	16.3	16.6	4	14

Part No.	X	Y
R412005421	10	8
R412005422	12	10

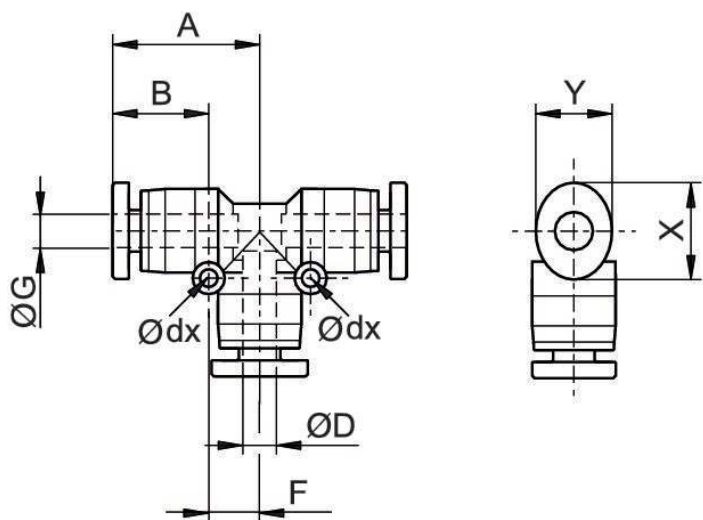
Series QR1-S-MTK Mini

Compressed air connection type: Push-in fitting
 Compressed air connection type 2: Push-in fitting
 Ambient temperature min./max.: 0 °C ... 60 °C
 Working pressure min./max.: -0.95 bar ... 10 bar



G	Ø D	Delivery unit [piece]	Material	Part No.
Ø 3	Ø 3	25	Polybutyleneterephthalate	R412005426
Ø 4	Ø 4	25	Polybutyleneterephthalate	R412005427
Ø 6	Ø 6	25	Polybutyleneterephthalate	R412005428

Dimensions



Part No.	Port D	Port G	Ø dx	A	B	F	X	Y
R412005426	Ø 3	Ø 3	3.2	11.4	9.5	4.5	7	6
R412005427	Ø 4	Ø 4	3.2	13.9	11.5	5.8	10	8
R412005428	Ø 6	Ø 6	3.2	15.4	12.5	6.5	12	10

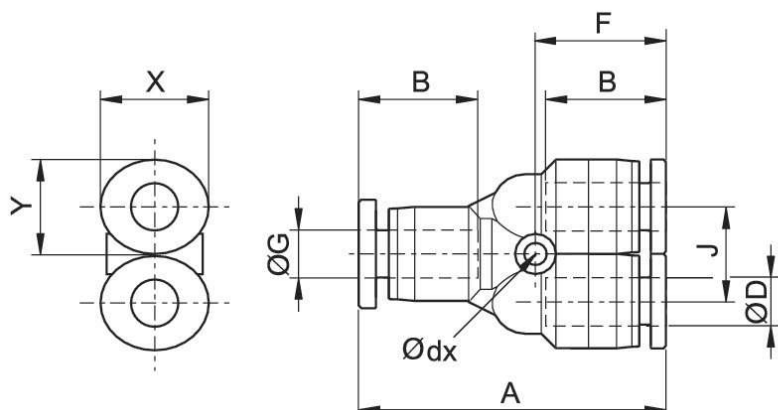
Series QR1-S-MYK Mini

Compressed air connection type: Push-in fitting
 Compressed air connection type 2: Push-in fitting
 Ambient temperature min./max.: 0 °C ... 60 °C
 Working pressure min./max.: -0.95 bar ... 10 bar



G	Ø D	Delivery unit [piece]	Material	Part No.
Ø 3	Ø 3	25	Polybutyleneterephthalate	R412005429
Ø 4	Ø 4	25	Polybutyleneterephthalate	R412005430
Ø 6	Ø 6	25	Polybutyleneterephthalate	R412005431

Dimensions



Part No.	Port D	Port G	Ø dx	A	B	F	J	X	Y
R412005429	Ø 3	Ø 3	3.2	29.9	9.5	13.2	8	7	6
R412005430	Ø 4	Ø 4	3.2	30.1	11.5	13.3	8	10	8
R412005431	Ø 6	Ø 6	3.2	32.1	12.5	13.6	10.5	12	10

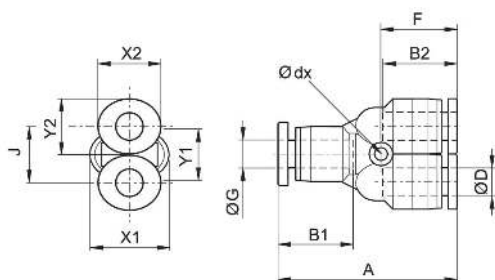
Series QR1-S-MYR Mini

Compressed air connection type: Push-in fitting
 Compressed air connection type 2: Push-in fitting
 Ambient temperature min./max.: 0 °C ... 60 °C
 Working pressure min./max.: -0.95 bar ... 10 bar



G	Ø D	Delivery unit [piece]	Material	Part No.
Ø 4	Ø 3	25	Polybutyleneterephthalate	R412005432
Ø 6	Ø 4	25	Polybutyleneterephthalate	R412005433

Dimensions



Part No.	Port D	Port G	Ø dx	A	B1	B2	F	J	X1
R412005432	Ø 3	Ø 4	3.2	30	11.5	9.5	13.4	8	10
R412005433	Ø 4	Ø 6	3.2	31.5	12.5	11.5	13.6	10.5	12

Part No.	X2	Y1	Y2
R412005432	7	8	6
R412005433	10	10	8

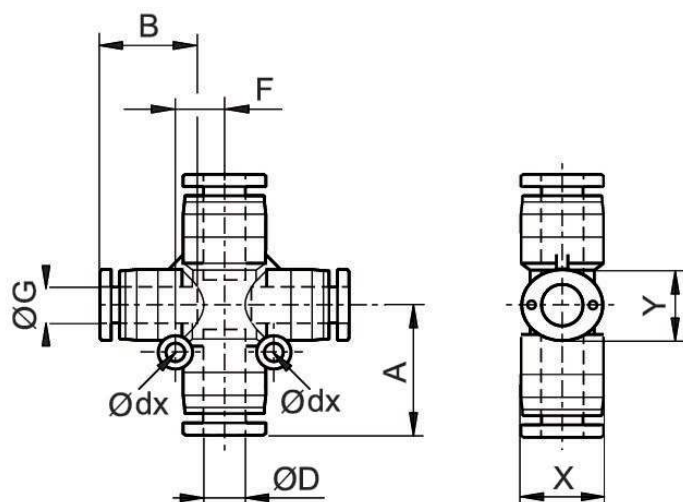
Series QR1-S-MXS Mini

Compressed air connection type: Push-in fitting
 Compressed air connection type 2: Push-in fitting
 Ambient temperature min./max.: 0 °C ... 60 °C
 Working pressure min./max.: -0.95 bar ... 10 bar



G	Ø D	Delivery unit [piece]	Material	Part No.
Ø 4	Ø 4	25	Polybutyleneterephthalate	R412005435
Ø 6	Ø 6	25	Polybutyleneterephthalate	R412005436

Dimensions



Part No.	Port D	Port G	Ø dx	A	B	F	X	Y
R412005435	Ø 4	Ø 4	3.2	13.6	11.5	5.5	10	8
R412005436	Ø 6	Ø 6	3.2	15.9	12.5	6.5	12	10

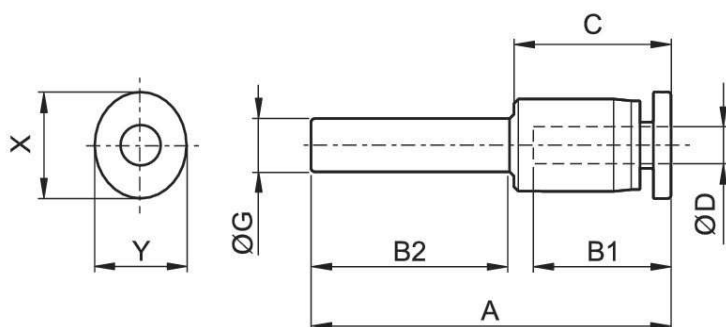
Series QR1-S-MED Mini

Compressed air connection type: pin bushing
 Compressed air connection type 2: Push-in fitting
 Ambient temperature min./max.: 0 °C ... 60 °C
 Working pressure min./max.: -0.95 bar ... 10 bar



G	Ø D	Delivery unit [piece]	Material	Part No.
Ø 4	Ø 3	25	Polybutyleneterephthalate	R412005437
Ø 6	Ø 4	25	Polybutyleneterephthalate	R412005438

Dimensions



Part No.	Port D	Port G	A	B1	B2	C	X	Y
R412005437	Ø 3	Ø 4	29.2	9.5	11.5	11.2	7	6
R412005438	Ø 4	Ø 6	33.2	11.5	12.5	13.2	10	8

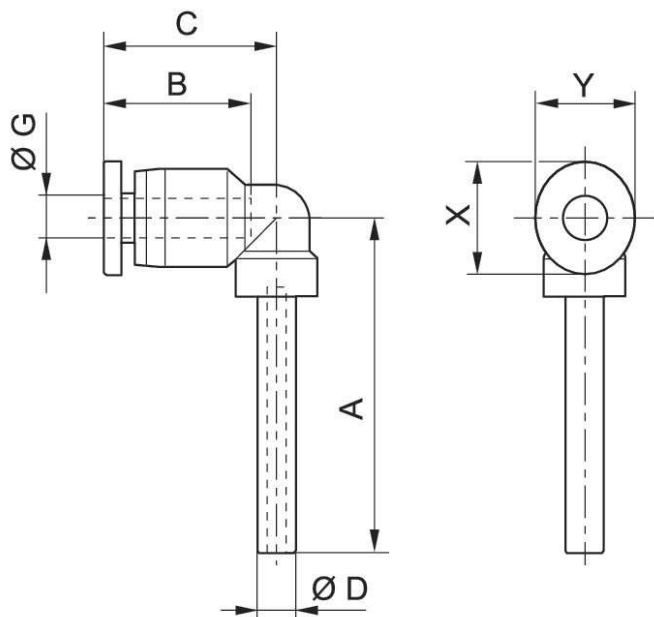
Series QR1-S-MVA Mini

Compressed air connection type: pin bushing
 Compressed air connection type 2: Push-in fitting
 Ambient temperature min./max.: 0 °C ... 60 °C
 Working pressure min./max.: -0.95 bar ... 10 bar



G	Ø D	Delivery unit [piece]	Material	Part No.
Ø 3	Ø 3	25	Polybutyleneterephthalate	R412005439
Ø 4	Ø 4	25	Polybutyleneterephthalate	R412005440
Ø 6	Ø 6	25	Polybutyleneterephthalate	R412005441

Dimensions



Part No.	Port D	Port G	A	B	C	X	Y
R412005439	Ø 3	Ø 3	21.6	9.5	11.2	7	6
R412005440	Ø 4	Ø 4	27.6	11.5	15.6	10	8
R412005441	Ø 6	Ø 6	29.6	12.5	16.9	12	10

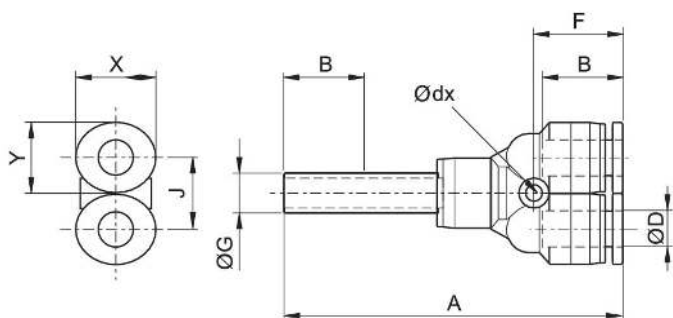
Series QR1-S-MYZ Mini

Compressed air connection type: pin bushing
 Compressed air connection type 2: Push-in fitting
 Ambient temperature min./max.: 0 °C ... 60 °C
 Working pressure min./max.: -0.95 bar ... 10 bar



G	Ø D	Delivery unit [piece]	Material	Part No.
Ø 4	Ø 4	25	Polybutyleneterephthalate	R412005443
Ø 6	Ø 6	25	Polybutyleneterephthalate	R412005444

Dimensions



Part No.	Port D	Port G	Ø dx	A	B	F	J	X	Y
R412005443	Ø 4	Ø 4	3.2	45	11.5	13.3	8	10	8
R412005444	Ø 6	Ø 6	3.2	50.5	12.5	13.6	10.4	12	10

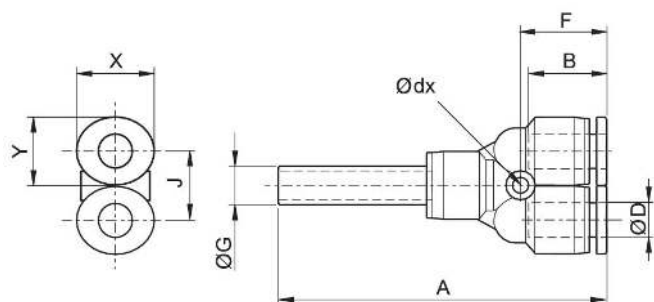
Series QR1-S-M2R Mini

Compressed air connection type: pin bushing
 Compressed air connection type 2: Push-in fitting
 Ambient temperature min./max.: 0 °C ... 60 °C
 Working pressure min./max.: -0.95 bar ... 10 bar



G	Ø D	Delivery unit [piece]	Material	Part No.
Ø 4	Ø 3	25	Polybutyleneterephthalate	R412005445
Ø 6	Ø 4	25	Polybutyleneterephthalate	R412005446

Dimensions



Part No.	Port D	Port G	Ø dx	A	B	F	J	X	Y
R412005445	Ø 3	Ø 4	3.2	33	9.5	13.4	8	7	6
R412005446	Ø 4	Ø 6	3.2	38.5	11.5	13.6	10.5	10	8

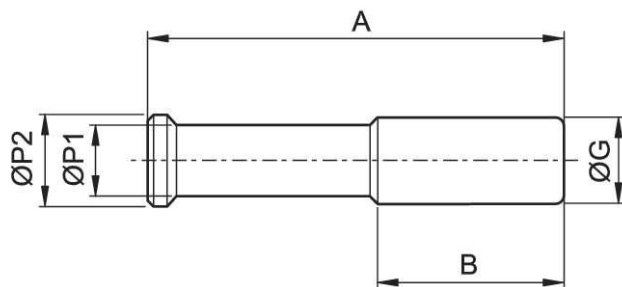
Series QR1-S-MBS Mini

Compressed air connection type: pin bushing
Ambient temperature min./max.: 0 °C ... 60 °C
Working pressure min./max.: -0.95 bar ... 10 bar



G	Delivery unit [piece]	Material	Part No.
Ø 3	25	Polybutyleneterephthalate	R412005447

Dimensions



Part No.	Port G	A	B	Ø P1	Ø P2
R412005447	Ø 3	22	9.5	3	4

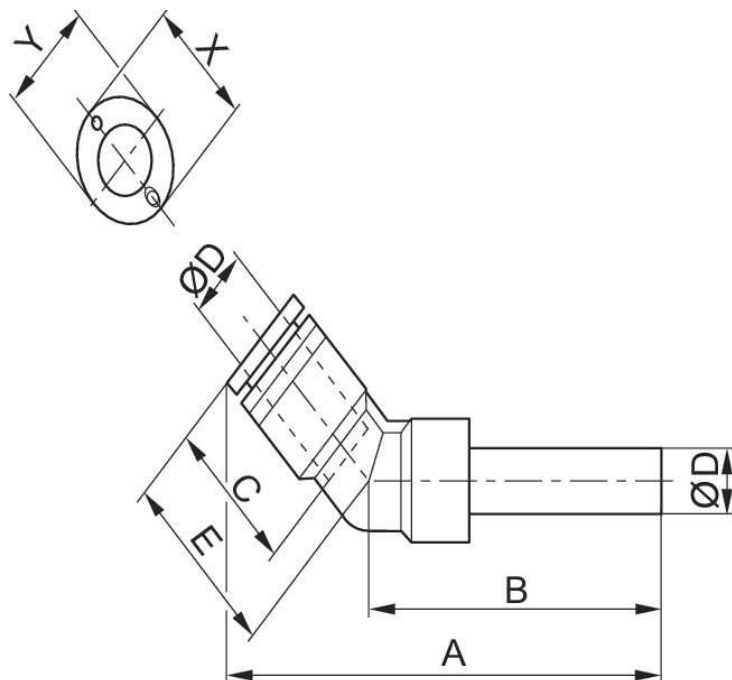
Series QR1-S-RVW Mini

Compressed air connection type: pin bushing
 Compressed air connection type 2: Push-in fitting
 Ambient temperature min./max.: 0 °C ... 60 °C
 Working pressure min./max.: -0.95 bar ... 10 bar



G	Ø D	Delivery unit [piece]	Material	Part No.
Ø 4	Ø 4	10	Polybutyleneterephthalate	R412005046

Dimensions



Part No.	Port D	Port G	A	B	C	E	X	Y
R412005046	Ø 4	Ø 4	56,36	43,6	16	18.1	12	10

QR1-S-RPN standard series

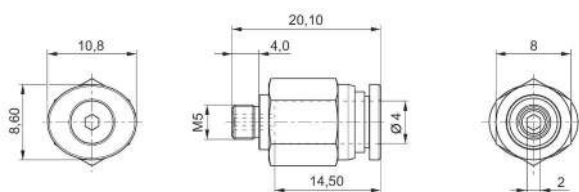
Compressed air connection type: External thread
 Compressed air connection type 2: Push-in fitting
 Ambient temperature min./max.: -20 °C ... 80 °C
 Medium temperature min./max.: -20 °C ... 80 °C
 Working pressure min./max.: -1 bar ... 16 bar



G	Ø D	Delivery unit [piece]	Material	Part No.
M5	Ø 4	10	Brass	2121004050
M5	Ø 6	10	Brass	2121006050

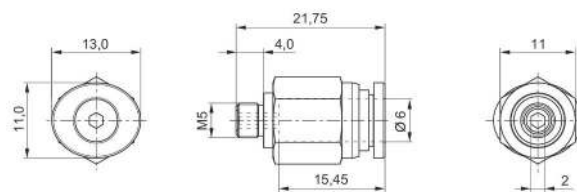
2121004050

Dimensions in mm



2121006050

Dimensions in mm



QR1-S-RPN standard series

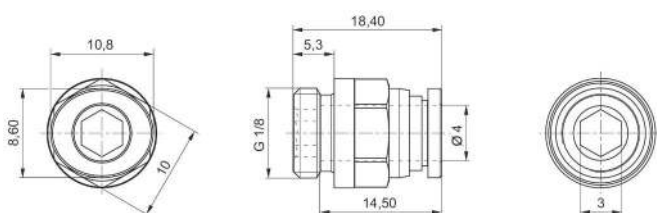
Compressed air connection type: External thread
 Compressed air connection type 2: Push-in fitting
 Ambient temperature min./max.: -20 °C ... 80 °C
 Medium temperature min./max.: -20 °C ... 80 °C
 Working pressure min./max.: -1 bar ... 16 bar



G	Ø D	Delivery unit [piece]	Material	Part No.
G 1/8	Ø 4	10	Brass	2121004180
G 1/8	Ø 6	10	Brass	2121006180
G 1/4	Ø 4	10	Brass	2121004140
G 1/4	Ø 6	10	Brass	2121006140
G 1/4	Ø 8	10	Brass	2121008140
G 3/8	Ø 6	10	Brass	R412005000
G 3/8	Ø 8	10	Brass	2121008380
G 3/8	Ø 10	10	Brass	2121010380
G 1/2	Ø 8	10	Brass	R412005001
G 1/2	Ø 10	10	Brass	2121010120
G 1/2	Ø 12	10	Brass	2121012120

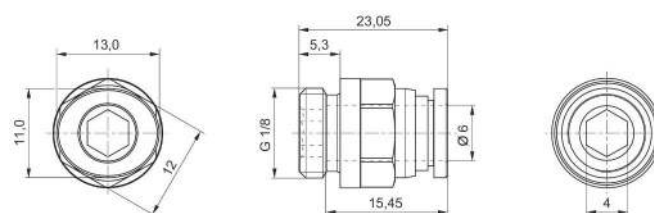
2121004180

Dimensions in mm



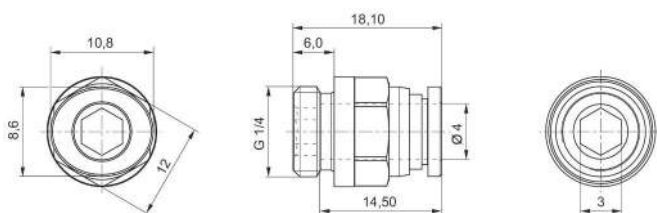
2121006180

Dimensions in mm



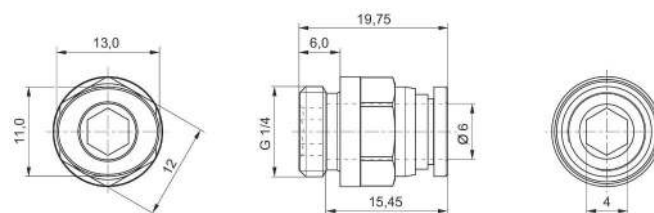
2121004140

Dimensions in mm



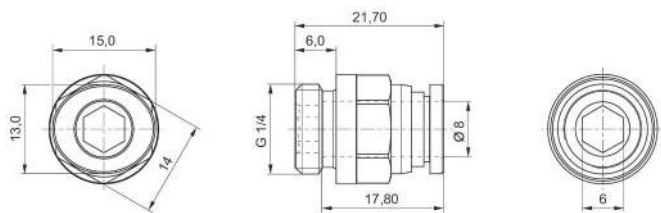
2121006140

Dimensions in mm



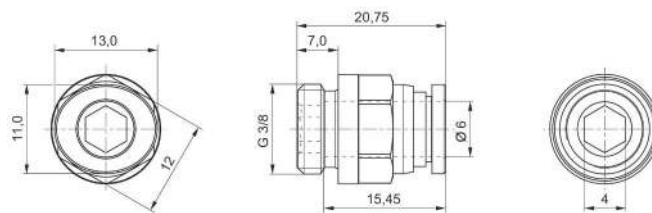
2121008140

Dimensions in mm



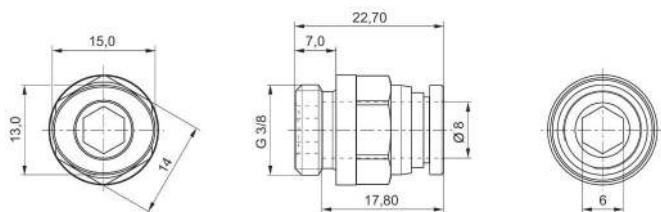
R412005000

Dimensions in mm



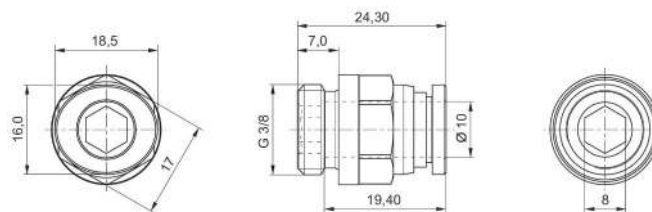
2121008380

Dimensions in mm



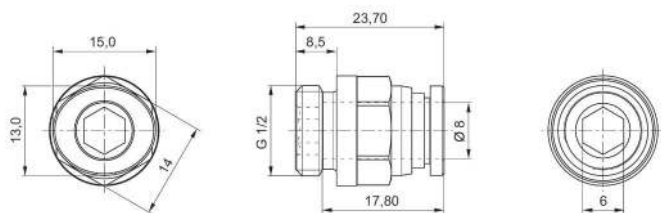
2121010380

Dimensions in mm



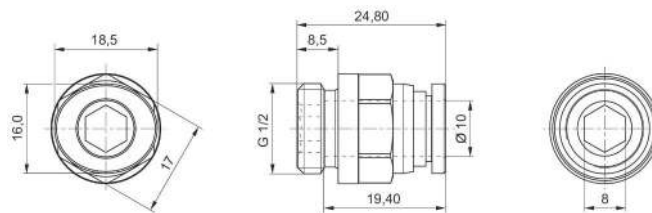
R412005001

Dimensions in mm



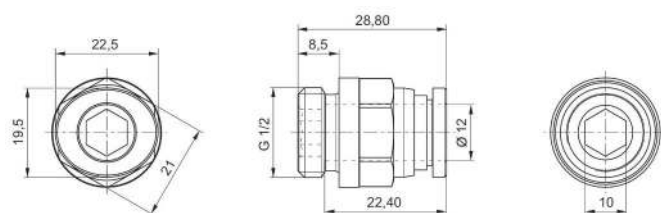
2121010120

Dimensions in mm



2121012120

Dimensions in mm



QR1-S-RPN standard series

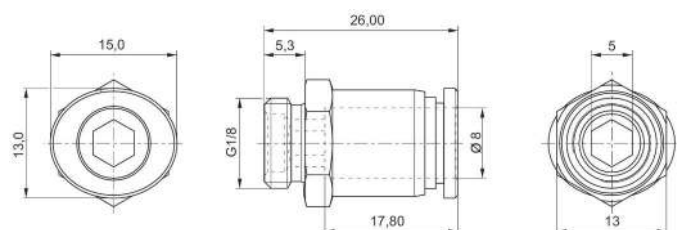
Compressed air connection type: External thread
 Compressed air connection type 2: Push-in fitting
 Ambient temperature min./max.: -20 °C ... 80 °C
 Medium temperature min./max.: -20 °C ... 80 °C
 Working pressure min./max.: -1 bar ... 16 bar



G	Ø D	Delivery unit [piece]	Material	Part No.
G 1/8	Ø 8	10	Brass	2121008180
G 1/8	Ø 10	10	Brass	R412005002
G 1/8	Ø 12	10	Brass	R412005003
G 1/4	Ø 10	10	Brass	2121010140
G 1/4	Ø 12	10	Brass	2121012140
G 3/8	Ø 12	10	Brass	2121012380
G 3/8	Ø 14	10	Brass	2121014380
G 3/8	Ø 16	10	Brass	R412005005
G 1/2	Ø 14	10	Brass	2121014120
G 1/2	Ø 16	10	Brass	R412005006

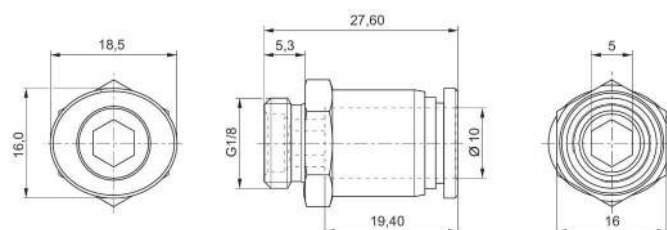
2121008180

Dimensions in mm



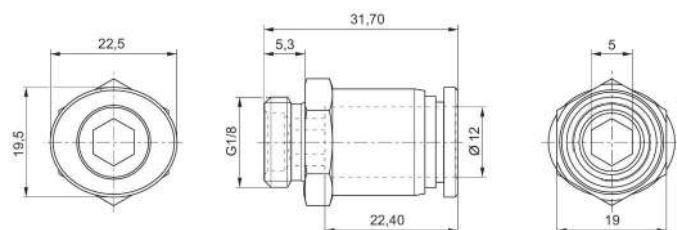
R412005002

Dimensions in mm



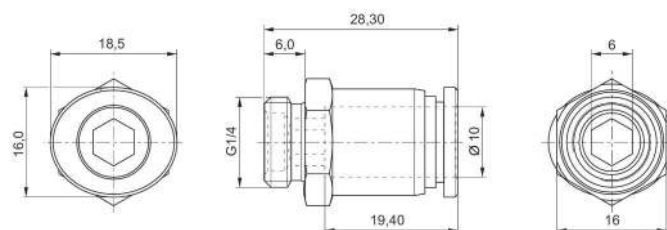
R412005003

Dimensions in mm



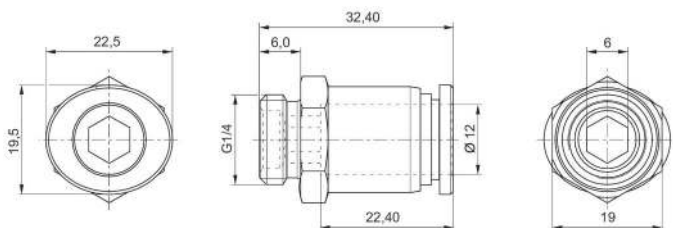
2121010140

Dimensions in mm



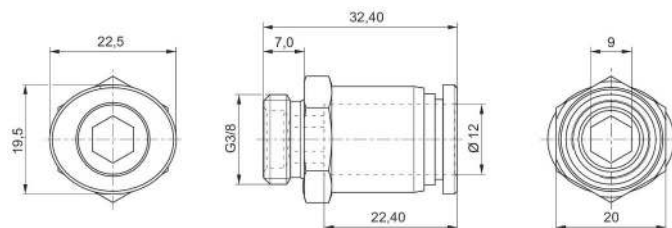
2121012140

Dimensions in mm



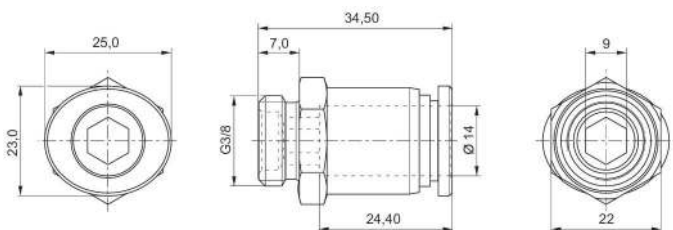
2121012380

Dimensions in mm



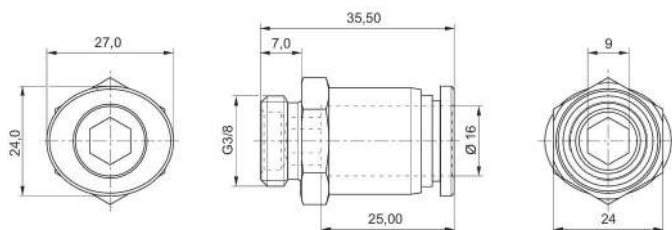
2121014380

Dimensions in mm



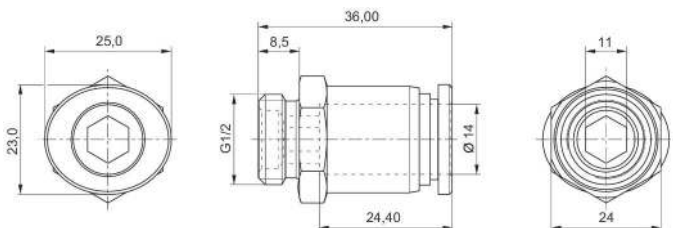
R412005005

Dimensions in mm



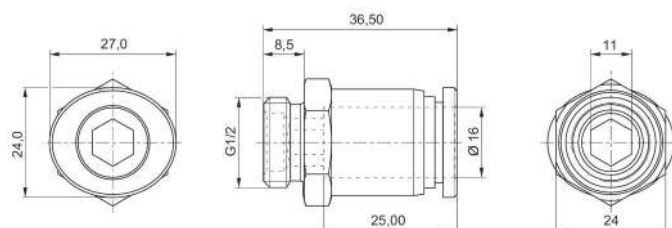
2121014120

Dimensions in mm



R412005006

Dimensions in mm



QR1-S-RAI standard series

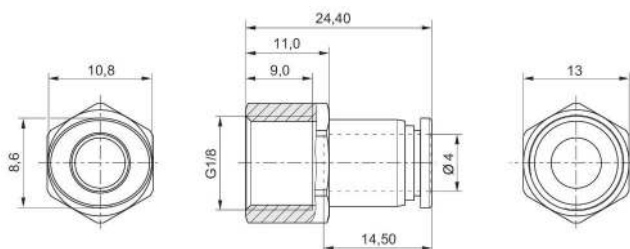
Compressed air connection type: Internal thread
 Compressed air connection type 2: Push-in fitting
 Ambient temperature min./max.: -20 °C ... 80 °C
 Medium temperature min./max.: -20 °C ... 80 °C
 Working pressure min./max.: -1 bar ... 16 bar



G	Ø D	Delivery unit [piece]	Material	Part No.
G 1/8	Ø 4	10	Brass	2121904180
G 1/8	Ø 6	10	Brass	2121906180
G 1/8	Ø 8	10	Brass	2121908180
G 1/4	Ø 4	10	Brass	R412005085
G 1/4	Ø 6	10	Brass	2121906140
G 1/4	Ø 8	10	Brass	2121908140
G 1/4	Ø 10	10	Brass	R412005089
G 1/4	Ø 12	10	Brass	R412005091
G 3/8	Ø 6	10	Brass	R412005086
G 3/8	Ø 8	10	Brass	R412005087
G 3/8	Ø 10	10	Brass	2121910380
G 3/8	Ø 12	10	Brass	2121912380
G 1/2	Ø 10	10	Brass	R412005090
G 1/2	Ø 12	10	Brass	2121912120

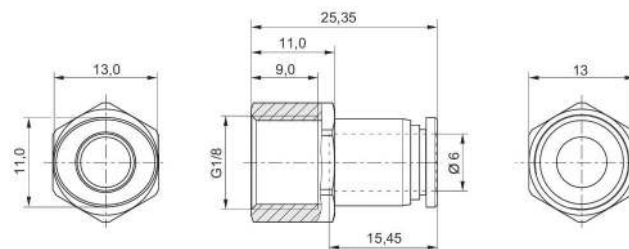
2121904180

Dimensions in mm

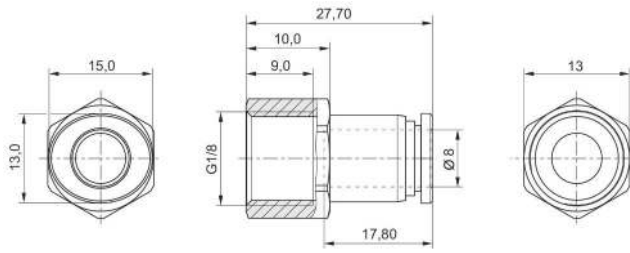


2121906180

Dimensions in mm

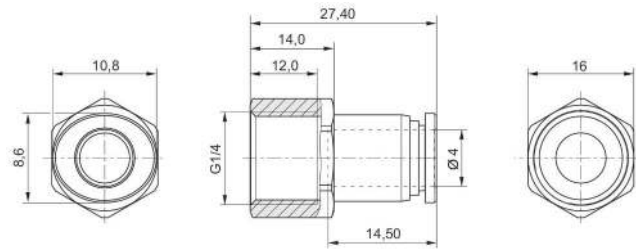


2121908180



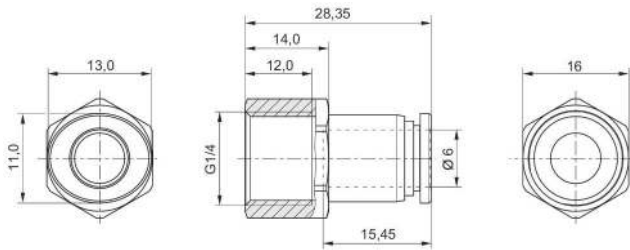
R412005085

Dimensions in mm



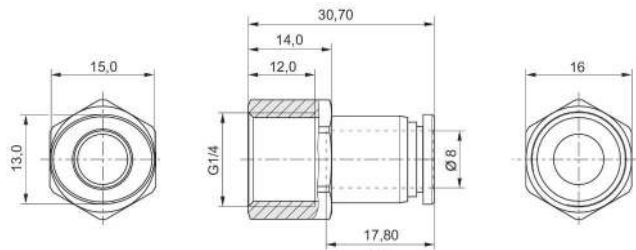
2121906140

Dimensions in mm



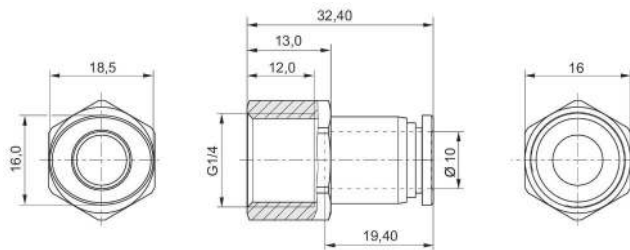
2121908140

Dimensions in mm



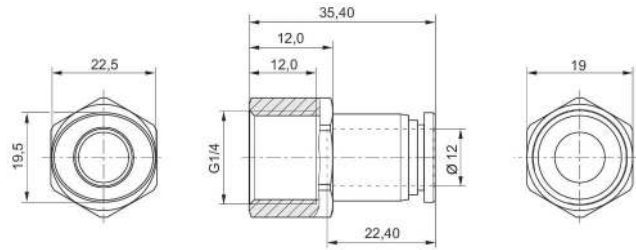
R412005089

Dimensions in mm



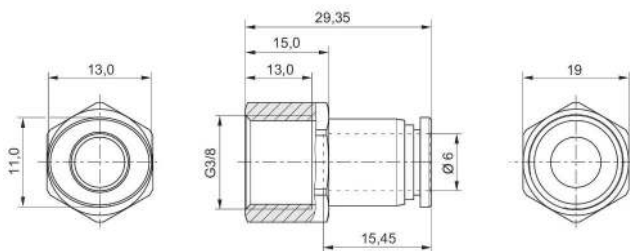
R412005091

Dimensions in mm



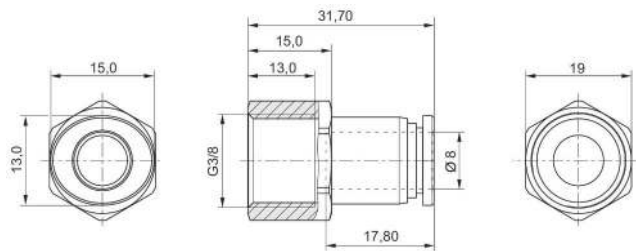
R412005086

Dimensions in mm



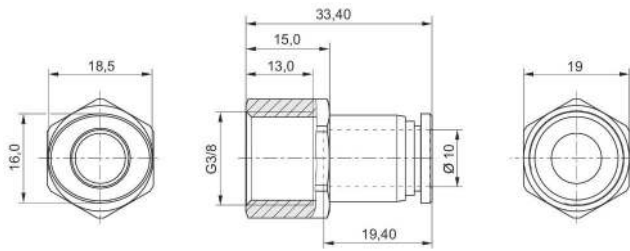
R412005087

Dimensions in mm



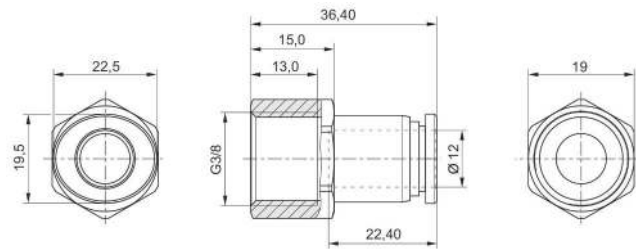
2121910380

Dimensions in mm



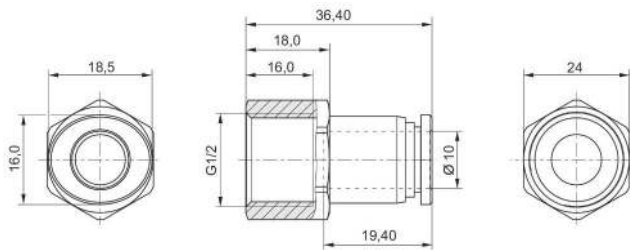
2121912380

Dimensions in mm



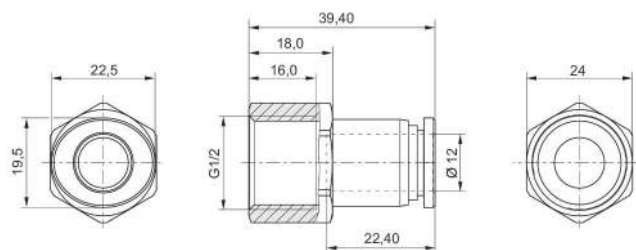
R412005090

Dimensions in mm



2121912120

Dimensions in mm



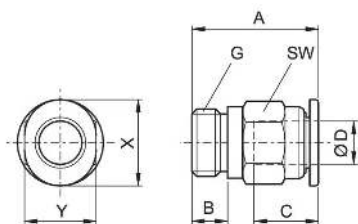
Series QR1-S-MAN Mini

Compressed air connection type: External thread
 Compressed air connection type 2: Push-in fitting
 Ambient temperature min./max.: 0 °C ... 60 °C
 Working pressure min./max.: -0.95 bar ... 10 bar



G	Ø D	Delivery unit [piece]	Material	Part No.
10-32 UNF	Ø5/32	25	Brass	R432000332
10-32 UNF	Ø1/8	25	Brass	R432000322
10-32 UNF	Ø1/4	25	Brass	R432000314
1/8 NPT	Ø5/32	25	Brass	R432000330
1/8 NPT	Ø1/4	25	Brass	R432000313
1/8 NPT	Ø1/8	25	Brass	R432000321

Dimensions in inches



Dimensions in inches

Part No.	Port D	Port G	A	B	C	SW	X	Y
R432000322	Ø1/8	10-32 UNF	0.46	0.14	0.14	5/16	0.28	0.24
R432000321	Ø1/8	1/8 NPT	0.56	0.32	0.32	13/32	0.28	0.24
R432000332	Ø5/32	10-32 UNF	0.63	0.14	0.14	5/16	0.39	0.32
R432000330	Ø5/32	1/8 NPT	0.6	0.32	0.32	13/32	0.39	0.32
R432000314	Ø1/4	10-32 UNF	0.68	0.14	0.14	13/32	0.47	0.39
R432000313	Ø1/4	1/8 NPT	0.74	0.31	0.31	13/32	0.47	0.39

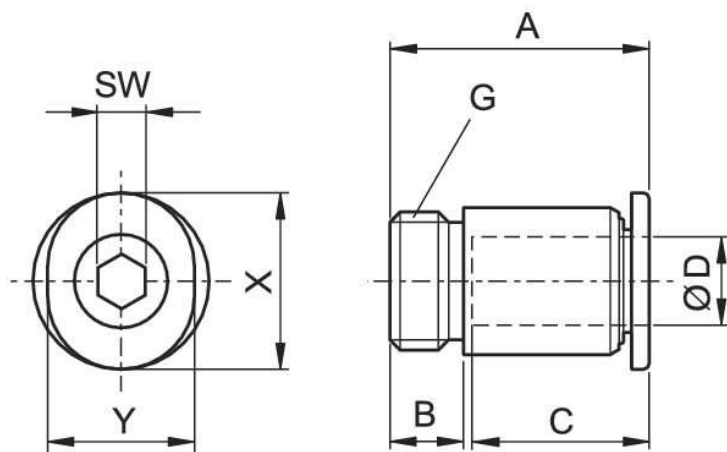
Series QR1-S-MIN Mini

Compressed air connection type: External thread
 Compressed air connection type 2: Push-in fitting
 Ambient temperature min./max.: 0 °C ... 60 °C
 Working pressure min./max.: -0.95 bar ... 10 bar



G	Ø D	Delivery unit [piece]	Material	Part No.
10-32 UNF	Ø5/32	25	Brass	R432000333
10-32 UNF	Ø1/8	25	Brass	R432000326
10-32 UNF	Ø1/4	25	Brass	R432000318
1/8 NPT	Ø5/32	25	Brass	R432000331
1/8 NPT	Ø1/4	25	Brass	R432000317
1/8 NPT	Ø1/8	25	Brass	R432000325

Dimensions in inches



Dimensions in inches

Part No.	Port D	Port G	A	B	C	SW	X	Y
R432000326	Ø1/8	10-32 UNF	0.6	0.14	0.41	3/32	0.28	0.24
R432000325	Ø1/8	1/8 NPT	0.56	0.32	0.41	3/32	0.28	0.24
R432000333	Ø5/32	10-32 UNF	0.63	0.14	0.44	3/32	0.39	0.32
R432000331	Ø5/32	1/8 NPT	0.6	0.32	0.44	3/32	0.39	0.32
R432000318	Ø1/4	10-32 UNF	0.7	0.14	0.46	3/32	0.47	0.39
R432000317	Ø1/4	1/8 NPT	0.74	0.32	0.46	5/32	0.47	0.39

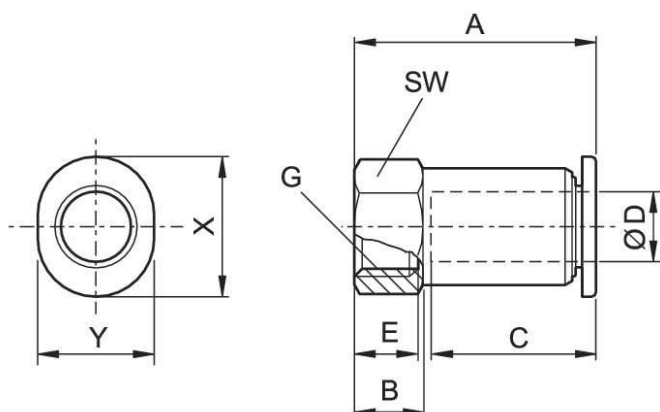
Series QR1-S-MAI Mini

Compressed air connection type: Internal thread
 Compressed air connection type 2: Push-in fitting
 Ambient temperature min./max.: 0 °C ... 60 °C
 Working pressure min./max.: -0.95 bar ... 10 bar



G	Ø D	Delivery unit [piece]	Material	Part No.
10-32 UNF	Ø1/8	25	Brass	R432000301
10-32 UNF	Ø5/32	25	Brass	R432000302

Dimensions in inches



Dimensions in inches

Part No.	Port D	Port G	A	B	C	E	SW	X	Y
R432000301	Ø1/8	10-32 UNF	0.62	0.19	0.406	0.2	5/16	7.2	0.24
R432000302	Ø5/32	10-32 UNF	0.62	0.19	0.44	0.2	5/16	0.39	0.31

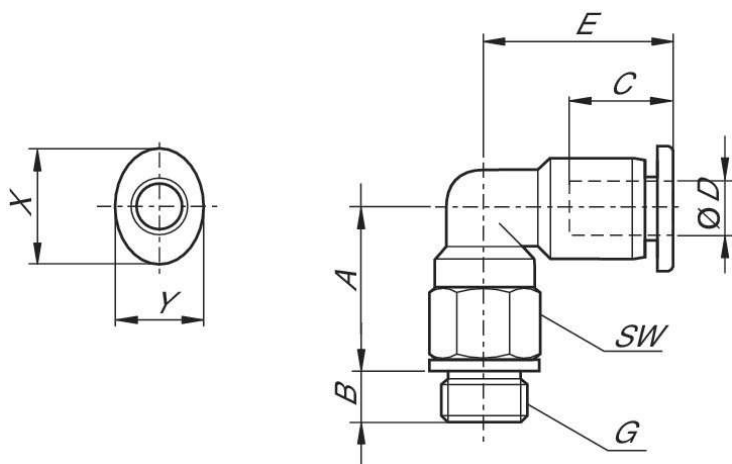
Series QR1-S-MVT Mini

Compressed air connection type: External thread
 Compressed air connection type 2: Push-in fitting
 Ambient temperature min./max.: 0 °C ... 60 °C
 Working pressure min./max.: -0.95 bar ... 10 bar



G	Ø D	Delivery unit [piece]	Material	Part No.
10-32 UNF	Ø1/8	25	Polybutyleneterephthalate	R432000358
10-32 UNF	Ø1/4	25	Polybutyleneterephthalate	R432000356
1/8 NPT	Ø1/8	25	Polybutyleneterephthalate	R432000357
1/8 NPT	Ø5/32	25	Polybutyleneterephthalate	R432000359
1/8 NPT	Ø1/4	25	Polybutyleneterephthalate	R432000355

Dimensions in inches



Dimensions in inches

Part No.	Port D	Port G	A	B	C	E	SW	X	Y
R432000358	Ø1/8	10-32 UNF	0.57	0.14	0.36	0.42	5/16	0.28	0.24
R432000357	Ø1/8	1/8 NPT	0.67	0.32	0.36	0.42	13/32	0.28	0.24
R432000359	Ø5/32	1/8 NPT	0.68	0.32	0.46	0.62	13/32	0.39	0.32
R432000356	Ø1/4	10-32 UNF	0.61	0.14	0.47	0.64	5/16	0.47	0.39
R432000355	Ø1/4	1/8 NPT	0.69	0.32	0.47	0.64	13/32	0.47	0.39

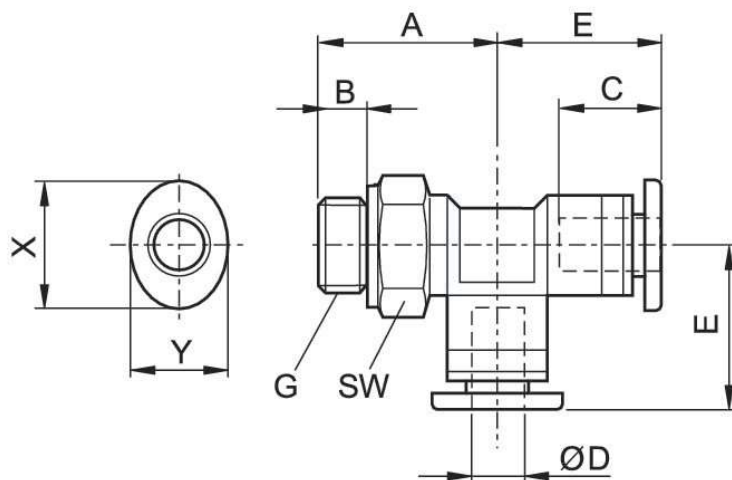
Series QR1-S-MLT Mini

Compressed air connection type: External thread
 Compressed air connection type 2: Push-in fitting
 Ambient temperature min./max.: 0 °C ... 60 °C
 Working pressure min./max.: -0.95 bar ... 10 bar



G	Ø D	Delivery unit [piece]	Material	Part No.
10-32 UNF	Ø1/8	25	Polybutyleneterephthalate	R432000310
10-32 UNF	Ø1/4	25	Polybutyleneterephthalate	R432000308
1/8 NPT	Ø1/4	25	Polybutyleneterephthalate	R432000307

Dimensions in inches



Dimensions in inches

Part No.	Port D	Port G	A	B	C	E	SW	X	Y
R432000310	Ø1/8	10-32 UNF	0.98	0.14	0.36	0.43	5/16	0.28	0.24
R432000309	Ø1/8	1/8 NPT	1.06	0.32	0.36	0.43	13/32	0.28	0.24
R432000312	Ø5/32	10-32 UNF	0.98	0.14	0.7	0.54	5/16	0.39	0.32
R432000311	Ø5/32	1/8 NPT	1.03	0.32	0.7	0.54	13/32	0.39	0.32
R432000308	Ø1/4	10-32 UNF	1.02	0.14	0.47	0.58	5/16	0.47	0.39
R432000307	Ø1/4	1/8 NPT	1.18	0.31	0.47	0.58	13/32	0.47	0.39

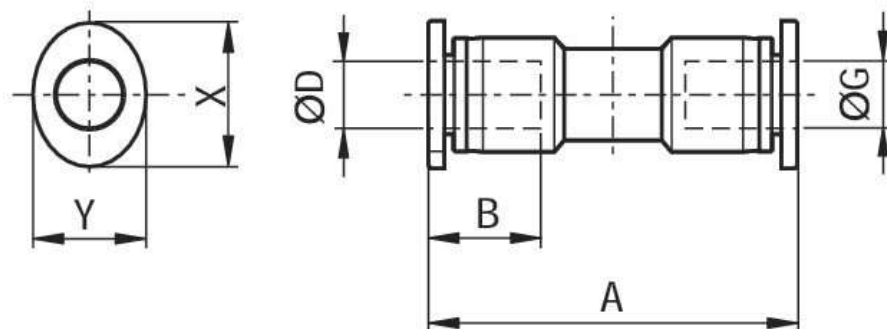
Series QR1-S-MSK Mini

Compressed air connection type: Push-in fitting
 Compressed air connection type 2: Push-in fitting
 Ambient temperature min./max.: 0 °C ... 60 °C
 Working pressure min./max.: -0.95 bar ... 10 bar



G	Ø D	Delivery unit [piece]	Material	Part No.
Ø1/8	Ø1/8	25	Polybutyleneterephthalate	R432000336
Ø1/4	Ø1/4	25	Polybutyleneterephthalate	R432000335

Dimensions in inches



Dimensions in inches

Part No.	Port D	Port G	A	B	X	Y
R432000336	Ø1/8	Ø1/8	0.75	0.36	0.28	0.24
R432000335	Ø1/4	Ø1/4	0.95	0.47	0.47	0.39

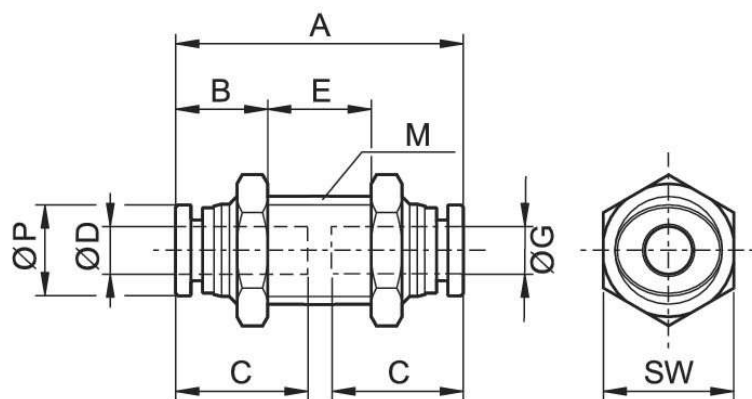
Series QR1-S-MSM Mini

Ambient temperature min./max.: 0 °C ... 60 °C
Working pressure min./max.: -0.95 bar ... 10 bar



G	Ø D	Delivery unit [piece]	Material	Part No.
Ø1/8	Ø1/8	25	Brass	R432000334

Dimensions in inches



Dimensions in inches

Part No.	Port D	Port G	B	E	A	SW	C	M
R432000334	Ø1/8	Ø1/8	0.28	0.3	0.71	13/32	0.41	M8x0,75

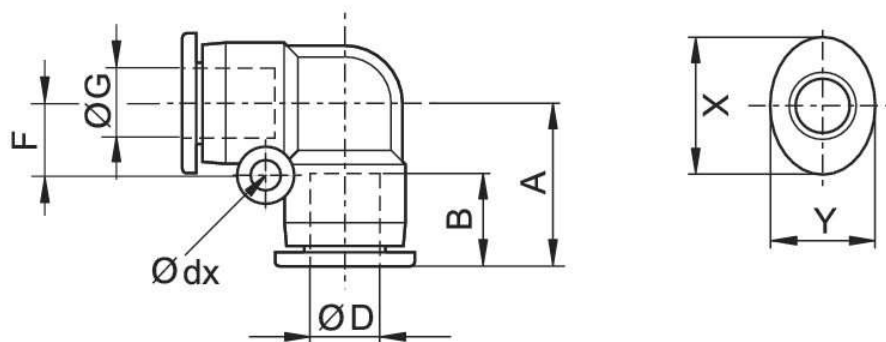
Series QR1-S-MVK Mini

Ambient temperature min./max.: 0 °C ... 60 °C
Working pressure min./max.: -0.95 bar ... 10 bar



G	Ø D	Delivery unit [piece]	Material	Part No.
Ø1/4	Ø1/4	25	Polybutyleneterephthalate	R432000347
Ø1/8	Ø1/8	25	Polybutyleneterephthalate	R432000348

Dimensions in inches



Dimensions in inches

Part No.	Port D	Port G	Ødx	A	B	F	X	Y
R432000348	Ø1/8	Ø1/8	0,13	0.43	0.35	0.28	0.24	0.01
R432000347	Ø1/4	Ø1/4	0,13	0.58	0.47	0.47	0.39	0.01

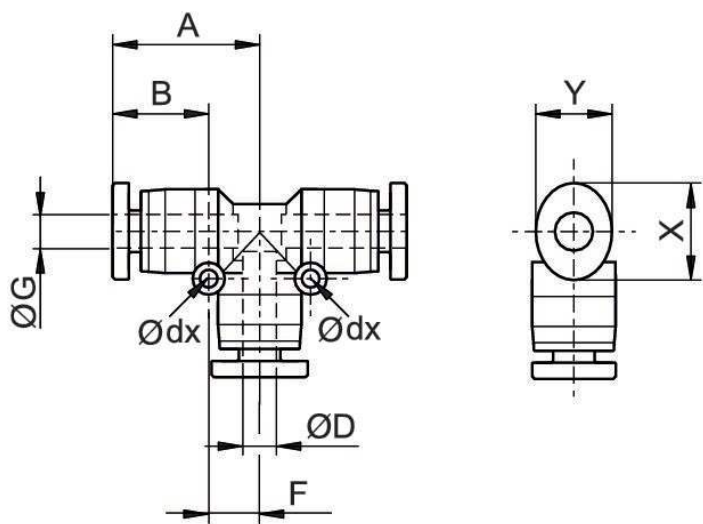
Series QR1-S-MTK Mini

Ambient temperature min./max.: 0 °C ... 60 °C
Working pressure min./max.: -0.95 bar ... 10 bar



G	Ø D	Delivery unit [piece]	Material	Part No.
Ø1/4	Ø1/4	25	Polybutyleneterephthalate	R432000337
Ø1/8	Ø1/8	25	Polybutyleneterephthalate	R432000338

Dimensions in inches



Dimensions in inches

Part No.	Port D	Port G	Ødx	A	B	X	Y
R432000338	Ø1/8	Ø1/8	0.13	0.43	0.36	0.28	0.24
R432000337	Ø1/4	Ø1/4	0.13	0.58	0.47	0.47	0.39

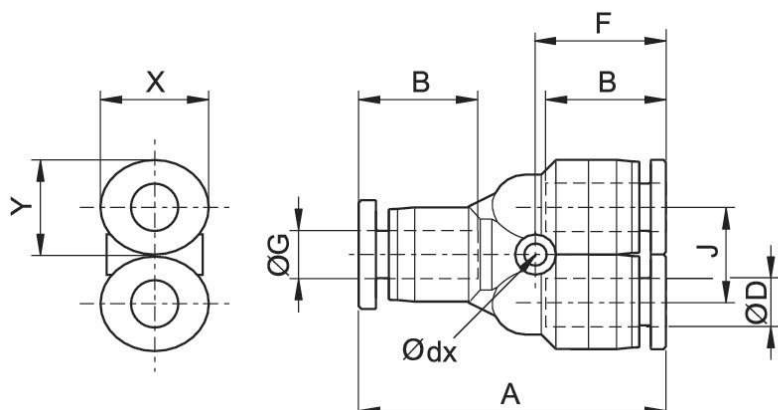
Series QR1-S-MYK Mini

Ambient temperature min./max.: 0 °C ... 60 °C
Working pressure min./max.: -0.95 bar ... 10 bar



G	Ø D	Delivery unit [piece]	Material	Part No.
Ø1/4	Ø1/4	25	Polybutyleneterephthalate	R432000319
Ø1/8	Ø1/8	25	Polybutyleneterephthalate	R432000327

Dimensions in inches



Dimensions in inches

Part No.	Port D	Port G	Ø dx	A	B	F	J	X	Y
R432000327	Ø1/8	Ø1/8	0.13	1.18	0.43	0.52	0.32	0.35	0.28
R432000319	Ø1/4	Ø1/4	0.13	1.26	0.49	0.54	0.42	0.47	0.39

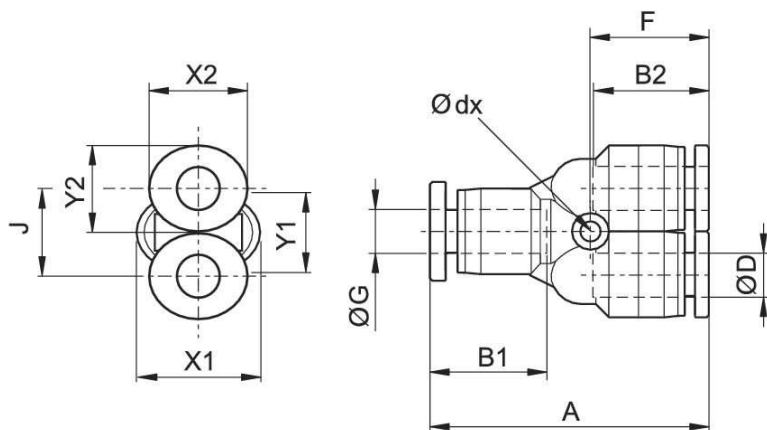
Series QR1-S-MYR Mini

Compressed air connection type: Push-in fitting
 Compressed air connection type 2: Push-in fitting
 Ambient temperature min./max.: 0 °C ... 60 °C
 Working pressure min./max.: -0.95 bar ... 10 bar



G	Ø D	Delivery unit [piece]	Material	Part No.
Ø1/8	Ø5/32	25	Polybutyleneterephthalate	R432000364

Dimensions in inches



Dimensions in inches

Part No.	Port D	Port G	Ø dx	A	B1	B2	J	X1	Y1
R432000364	Ø5/32	Ø1/8	0.13	1.14	0.36	0.36	0.32	0.28	0.24
R432000363	Ø1/4	Ø5/32	0.13	1.15	0.46	0.36	0.32	0.39	0.32

Part No.	X2	Y2
R432000364	0.28	0.24
R432000363	0.28	0.24

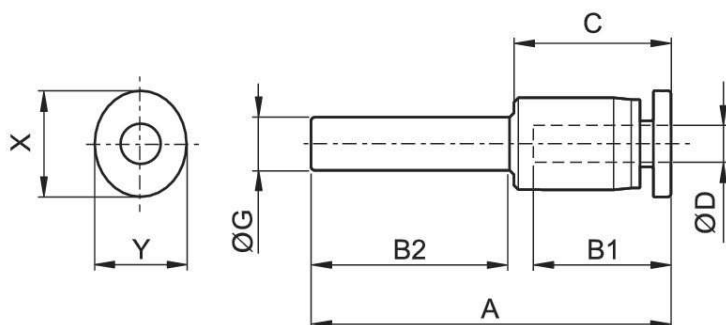
Series QR1-S-MED Mini

Compressed air connection type: pin bushing
 Compressed air connection type 2: Push-in fitting
 Ambient temperature min./max.: 0 °C ... 60 °C
 Working pressure min./max.: -0.95 bar ... 10 bar



G	Ø D	Delivery unit [piece]	Material	Part No.
Ø5/32	Ø1/4	25	Polybutyleneterephthalate	R432000305

Dimensions in inches



Dimensions in inches

Part No.	Port D	Port G	A	B1	B2	C	X	Y
R432000305	Ø1/4	Ø5/32	1.29	0.46	0.47	0.5	0.39	0.31

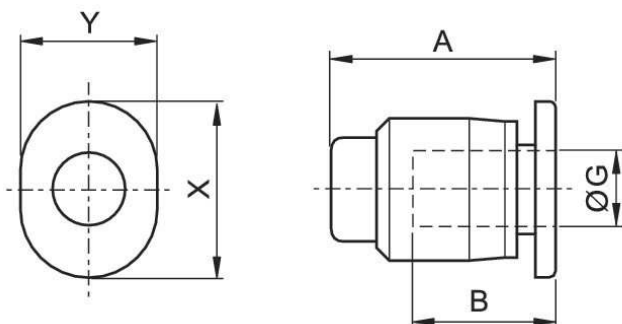
Series QR1-S-MCA Mini

Compressed air connection type: Push-in fitting
Ambient temperature min./max.: 0 °C ... 60 °C
Working pressure min./max.: -0.95 bar ... 10 bar



G	Delivery unit [piece]	Material	Part No.
Ø1/8	25	Polybutyleneterephthalate	R432000304
Ø1/4	25	Polybutyleneterephthalate	R432000303

Dimensions



Dimensions in inches

Part No.	Port G	A	B	X	Y
R432000303	Ø1/4	0.49	0.47	0.47	0.39
R432000304	Ø1/8	0.42	0.37	0.28	0.24

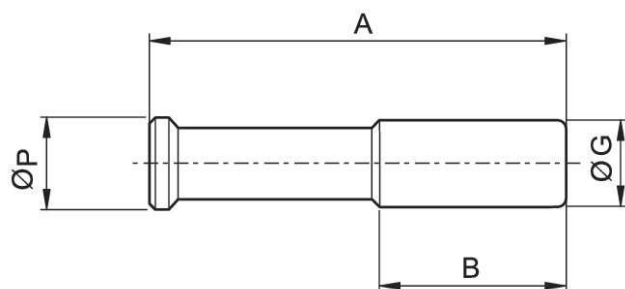
Series QR1-S-MBS Mini

Compressed air connection type: pin bushing
Ambient temperature min./max.: 0 °C ... 60 °C
Working pressure min./max.: -0.95 bar ... 10 bar



G	Delivery unit [piece]	Material	Part No.
Ø1/8	25	Polybutyleneterephthalate	R432000329

Dimensions in inches



Dimensions in inches

Part No.	Port G	A	B	Ø P
R432000329	Ø1/8	0,87	0,37	0,16

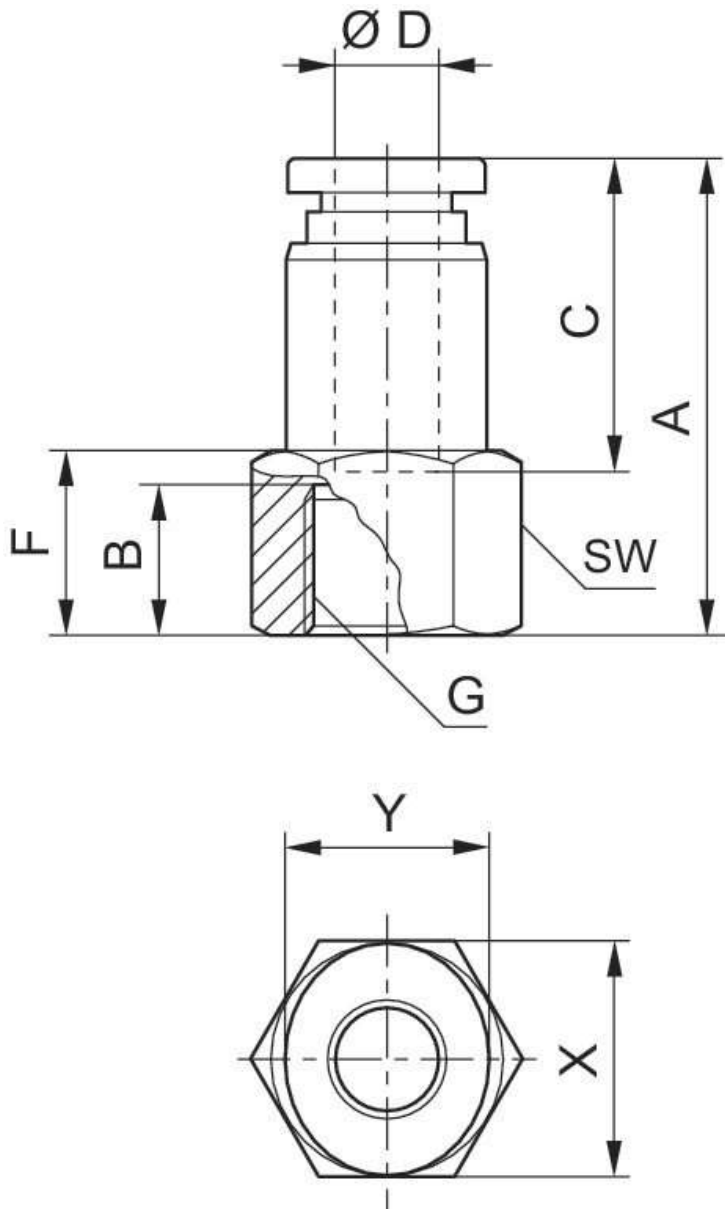
QR1-S-RAI standard series

Compressed air connection type: Internal thread
 Compressed air connection type 2: Push-in fitting
 Ambient temperature min./max.: -20 °C ... 80 °C
 Working pressure min./max.: -0.95 bar ... 16 bar



G	Ø D	Delivery unit [piece]	Material	Part No.
3/8 NPT	Ø1/4	10	Polyamide	R432000021
3/8 NPT	Ø5/16	10	Polyamide	R432000028
3/8 NPT	Ø 3/8	10	Polyamide	R432000024
3/8 NPT	Ø1/2	10	Polyamide	R432000018
1/8 NPT	Ø5/32	10	Polyamide	R432000030
1/8 NPT	Ø1/4	10	Polyamide	R432000020
1/8 NPT	Ø5/16	10	Polyamide	R432000027
1/4 NPT	Ø5/32	10	Polyamide	R432000029
1/4 NPT	Ø1/4	10	Polyamide	R432000019
1/4 NPT	Ø5/16	10	Polyamide	R432000026
1/4 NPT	Ø 3/8	10	Polyamide	R432000023
1/4 NPT	Ø1/2	10	Polyamide	R432000017
1/2 NPT	Ø 3/8	10	Polyamide	R432000022
1/2 NPT	Ø1/2	10	Polyamide	R432000016

Dimensions in inches



Dimensions in inches

Part No.	Port D	Port G	A	B	F	C	SW	X	Y
R432000030	Ø5/32	1/8 NPT	1.01	0.36	0.43	0.63	9/16 "	0.47	0.39
R432000020	Ø1/4	1/8 NPT	1.06	0.36	0.39	0.67	9/16 "	0.47	0.39
R432000027	Ø5/16	1/8 NPT	1.13	0.36	0.47	0.73	9/16 "	0.63	0.55
R432000029	Ø5/32	1/4 NPT	1.13	0.47	0.55	0.63	11/16 "	0.47	0.39
R432000019	Ø1/4	1/4 NPT	1.18	0.47	0.55	0.67	11/16 "	0.47	0.39
R432000026	Ø5/16	1/4 NPT	1.23	0.47	0.59	0.73	11/16 "	0.63	0.55
R432000023	Ø 3/8	1/4 NPT	1.34	0.47	0.51	0.83	11/16 "	0.75	0.67
R432000017	Ø1/2	1/4 NPT	1.43	0.47	0.51	0.89	7/8 "	0.91	0.83
R432000021	Ø1/4	3/8 NPT	1.23	0.51	0.59	0.67	7/8 "	0.47	0.39
R432000028	Ø5/16	3/8 NPT	1.28	0.51	0.63	0.73	7/8 "	0.63	0.55
R432000024	Ø 3/8	3/8 NPT	1.38	0.51	0.59	0.83	7/8 "	0.75	0.67
R432000018	Ø1/2	3/8 NPT	1.47	0.51	0.55	0.89	7/8 "	0.91	0.83
R432000025	Ø5/16	1/2 NPT	1.4	0.63	0.75	0.73	7/8 "	0.63	0.55
R432000022	Ø 3/8	1/2 NPT	1.56	0.63	0.75	0.83	7/8 "	0.75	0.67
R432000016	Ø1/2	1/2 NPT	1.56	0.63	0.75	0.89	7/8 "	0.91	0.83

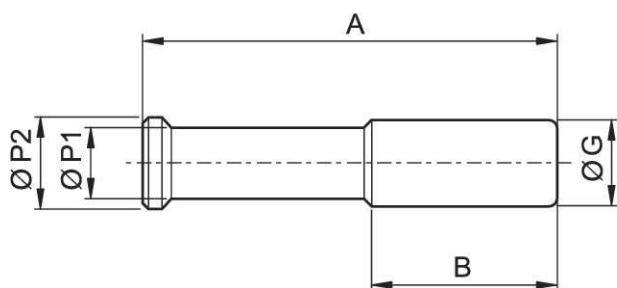
QR1-S-RBS standard series

Compressed air connection type: pin bushing
Ambient temperature min./max.: 0 °C ... 60 °C
Working pressure min./max.: -0.95 bar ... 10 bar



G	Delivery unit [piece]	Material	Part No.
Ø5/32	20	Polyamide	R432002353
Ø5/16	20	Polybutyleneterephthalate	R432002354
Ø 3/8	20	Polybutyleneterephthalate	R432000050
Ø1/4	20	Polybutyleneterephthalate	R432000049
Ø1/2	20	Polybutyleneterephthalate	R432000048

Dimensions in inches



Dimensions in inches

Part No.	Port G	A	B	Ø P1	Ø P2
R432002353	Ø5/32	1.1	0.63	0.12	0.16
R432000049	Ø1/4	1.26	0.67	0.18	0.25
R432002354	Ø5/16	1.65	0.73	0.28	0.39
R432000050	Ø3/8	1.66	0.83	0.28	0.37
R432000048	Ø1/2	1.73	0.89	0.34	0.5

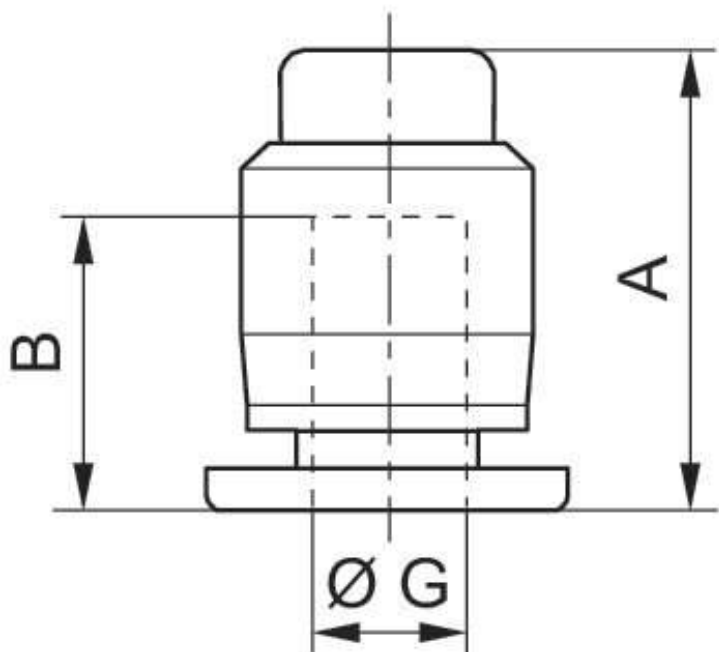
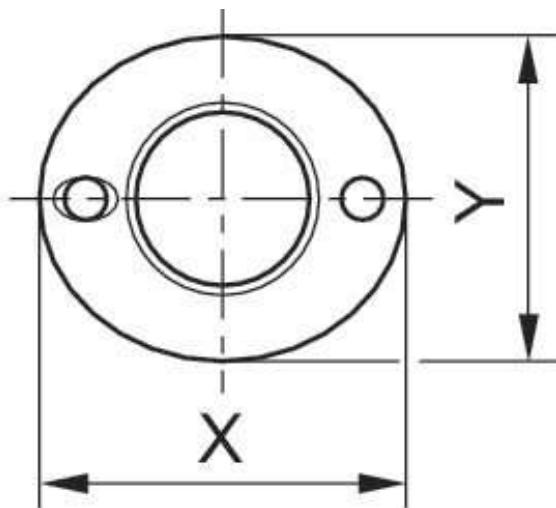
QR1-S-RCA standard series

Compressed air connection type: Push-in fitting
 Ambient temperature min./max.: -20 °C ... 80 °C
 Working pressure min./max.: -0.95 bar ... 16 bar



G	Delivery unit [piece]	Material	Part No.
Ø5/32	20	Polyamide	R432002351
Ø1/4	20	Polyamide	R432000052
Ø5/16	20	Polyamide	R432002352
Ø 3/8	20	Polyamide	R432000053
Ø1/2	20	Polyamide	R432000051

Dimensions in inches



Dimensions in inches

Part No.	Port G	A	B	X	Y
R432002351	Ø5/32	0.69	0.6	0.47	0.39
R432000052	Ø1/4	0.77	0.67	0.55	0.47
R432002352	Ø5/16	0.8	0.72	0.55	0.63
R432000053	Ø3/8	0.93	0.83	0.75	0.67
R432000051	Ø1/2	1	0.89	0.91	0.83

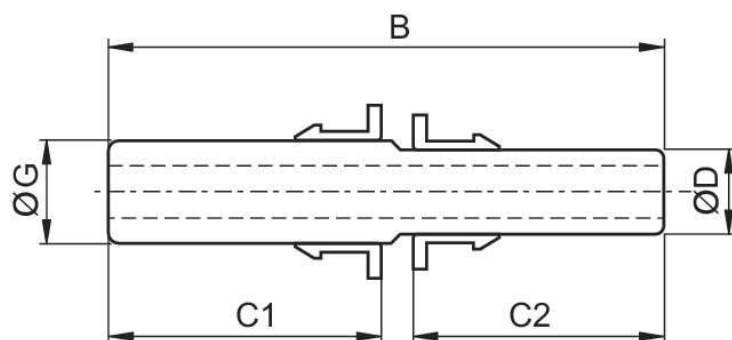
QR1-S-RDR standard series

Compressed air connection type: pin bushing
 Compressed air connection type 2: pin bushing
 Ambient temperature min./max.: 0 °C ... 60 °C
 Working pressure min./max.: -0.95 bar ... 10 bar



G	Ø D	Delivery unit [piece]	Material	Part No.
Ø5/32	Ø1/4	20	Polyamide	R432000057
Ø5/16	Ø 3/8	10	Polybutyleneterephthalate	R432000059
Ø1/4	Ø5/16	10	Polybutyleneterephthalate	R432000061
Ø1/2	Ø 3/8	10	Polybutyleneterephthalate	R432000055

Dimensions



Dimensions in inches

Part No.	Port D	Port G	A	C1	C2
R432000057	Ø1/4	Ø5/32	1.42	0.67	0.63
R432000061	Ø5/16	Ø1/4	1.54	0.73	0.67
R432000059	Ø3/8	Ø5/16	1.69	0.83	0.83
R432000055	Ø3/8	Ø1/2	1.89	0.89	0.89

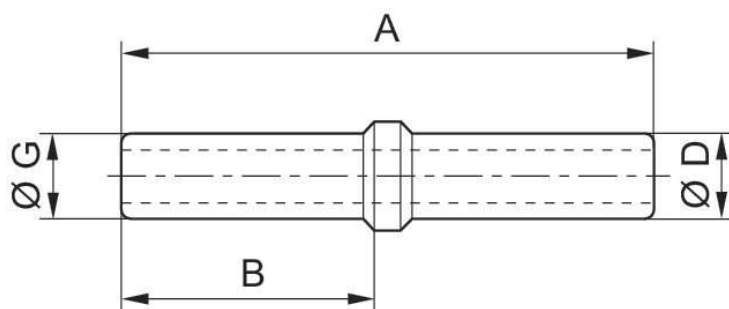
QR1-S-RDS standard series

Compressed air connection type: pin bushing
 Compressed air connection type 2: pin bushing
 Ambient temperature min./max.: 0 °C ... 60 °C
 Working pressure min./max.: -0.95 bar ... 10 bar



G	Ø D	Delivery unit [piece]	Material	Part No.
Ø5/32	Ø5/32	20	Polyamide	R432000062
Ø5/16	Ø5/16	20	Polybutyleneterephthalate	R432000060
Ø 3/8	Ø 3/8	20	Polybutyleneterephthalate	R432000058
Ø1/4	Ø1/4	20	Polybutyleneterephthalate	R432000056
Ø1/2	Ø1/2	20	Polybutyleneterephthalate	R432000054

Dimensions



Dimensions in inches

Part No.	Port D	Port G	A	B
R432000062	Ø5/32	Ø5/32	1.38	0.63
R432000056	Ø1/4	Ø1/4	1.46	0.67
R432000060	Ø5/16	Ø5/16	1.81	0.83
R432000058	Ø3/8	Ø3/8	1.97	0.83
R432000054	Ø1/2	Ø1/2	1.97	0.89

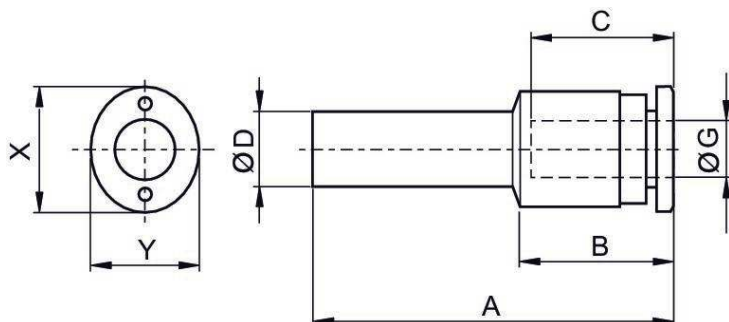
QR1-S-RED standard series

Compressed air connection type: Push-in fitting
 Compressed air connection type 2: pin bushing
 Ambient temperature min./max.: -20 °C ... 80 °C
 Working pressure min./max.: -0.95 bar ... 16 bar



G	Ø D	Delivery unit [piece]	Material	Part No.
Ø1/4	Ø5/16	10	Polyamide	R432000069
Ø5/16	Ø 3/8	10	Polyamide	R432000068
Ø1/4	Ø 3/8	10	Polyamide	R432000067
Ø5/32	Ø1/4	10	Polyamide	R432000066
Ø5/16	Ø1/2	10	Polyamide	R432000065
Ø 3/8	Ø1/2	10	Polyamide	R432000064
Ø1/4	Ø1/2	10	Polyamide	R432000063

Dimensions in inches



Dimensions in inches

Part No.	Port D	Port G	A	B	C	X	Y
R432000070	Ø5/16	Ø5/32	1.702	0.693	0.729	0.473	0.394
R432000069	Ø5/16	Ø1/4	1.741	0.756	0.729	0.552	0.473
R432000068	Ø3/8	Ø5/16	1.872	0.801	0.827	0.63	0.552
R432000067	Ø3/8	Ø1/4	1.82	0.756	0.827	0.552	0.473
R432000066	Ø1/4	Ø5/32	1.6	0.693	0.67	0.473	0.394
R432000065	Ø1/2	Ø5/16	1.95	0.801	0.729	0.63	0.552
R432000064	Ø1/2	Ø3/8	2.065	0.906	0.827	0.749	0.67
R432000063	Ø1/2	Ø1/4	1.899	0.756	0.67	0.552	0.473

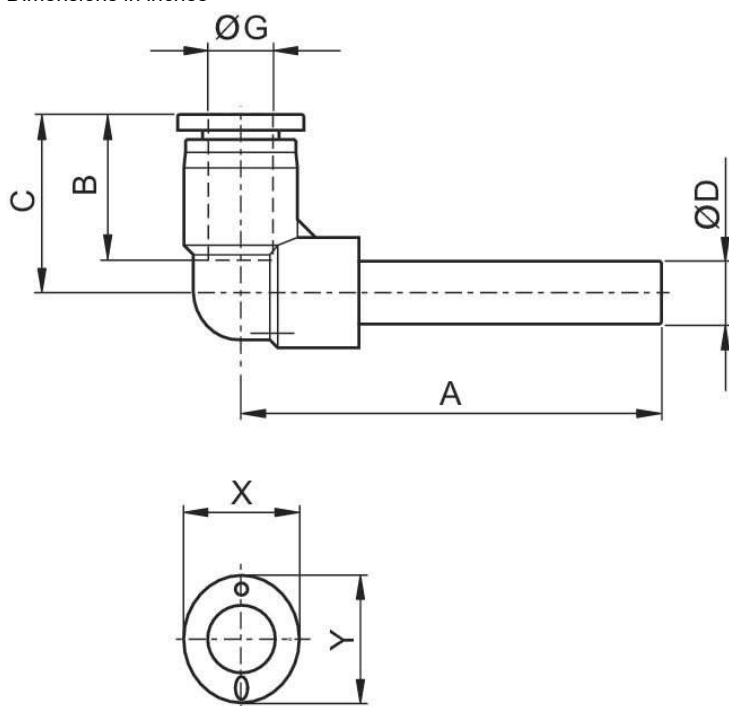
QR1-S-RLL standard series

Compressed air connection type: pin bushing
 Compressed air connection type 2: Push-in fitting
 Ambient temperature min./max.: 0 °C ... 60 °C
 Working pressure min./max.: -0.95 bar ... 10 bar



G	Ø D	Delivery unit [piece]	Material	Part No.
Ø5/16	Ø5/16	10	Polybutyleneterephthalate	R432000091
Ø1/2	Ø1/2	10	Polybutyleneterephthalate	R432000088

Dimensions in inches



Dimensions in inches

Part No.	Port D	Port G	A	B	C	X	Y
R432000092	Ø5/32	Ø5/32	1.55	0.63	0.74	0.47	0.39
R432000089	Ø1/4	Ø1/4	1.96	0.67	0.83	0.55	0.47
R432000091	Ø5/16	Ø5/16	2.13	0.73	0.9	0.63	0.55
R432000090	Ø3/8	Ø3/8	2.44	0.83	1.03	0.75	0.67
R432000088	Ø1/2	Ø1/2	2.7	0.89	1.15	0.91	0.83

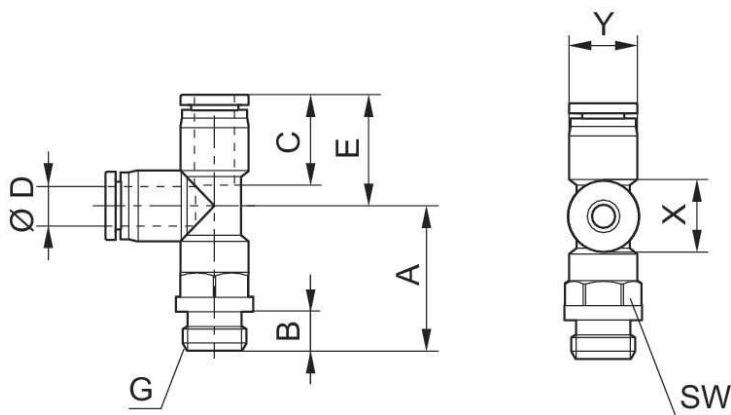
QR1-S-RLT standard series

Compressed air connection type: External thread
 Compressed air connection type 2: Push-in fitting
 Ambient temperature min./max.: -20 °C ... 80 °C
 Working pressure min./max.: -0.95 bar ... 16 bar



G	Ø D	Material	Part No.
1/8 NPT	Ø5/32	Polyamide	R432000109
1/8 NPT	Ø1/4	Polyamide	R432000098
1/4 NPT	Ø 3/8	Polyamide	R432000101
1/4 NPT	Ø1/4	Polyamide	R432000097
1/2 NPT	Ø1/2	Polyamide	R432000093

Dimensions in inches



Part No.	Port D	Port G	A	B	C	E	SW	X	Y
R432000107	Ø5/32	10-32 UNF	0.87	0.22	0.63	0.71	7/16"	0.47	0.39
R432000096	Ø1/4	10-32 UNF	0.91	0.22	0.67	0.81	1/2 "	0.55	0.47
R432000109	Ø5/32	1/8 NPT	0.97	0.32	0.63	0.71	7/16 "	0.47	0.39
R432000098	Ø1/4	1/8 NPT	0.99	0.32	0.67	0.81	1/2 "	0.55	0.47
R432000104	Ø5/16	1/8 NPT	1	0.32	0.73	0.89	9/16 "	0.63	0.55
R432000108	Ø5/32	1/4 NPT	1.09	0.43	0.63	0.71	9/16 "	0.47	0.39
R432000097	Ø1/4	1/4 NPT	1.14	0.43	0.67	0.81	9/16 "	0.55	0.47
R432000105	Ø5/16	1/4 NPT	1.16	0.43	0.73	0.89	9/16 "	0.63	0.55
R432000101	Ø3/8	1/4 NPT	1.38	0.43	0.83	1.03	11/16 "	0.75	0.67
R432000094	Ø1/2	1/4 NPT	1.46	0.43	0.89	1.14	7/8 "	0.91	0.83
R432000099	Ø1/4	3/8 NPT	1.22	0.47	0.67	0.81	11/16 "	0.55	0.47
R432000106	Ø5/16	3/8 NPT	1.2	0.47	0.73	0.89	11/16 "	0.63	0.55
R432000102	Ø 3/8	3/8 NPT	1.42	0.47	0.83	1.03	11/16 "	0.75	0.67
R432000095	Ø1/2	3/8 NPT	1.47	0.47	0.89	1.14	7/8 "	0.91	0.83
R432000103	Ø5/16	1/2 NPT	1.36	0.59	0.73	0.89	20 "	0.63	0.55
R432000100	Ø 3/8	1/2 NPT	1.54	0.59	0.83	1.03	7/8 "	0.75	0.67
R432000093	Ø1/2	1/2 NPT	1.62	0.59	0.89	1.14	7/8 "	0.91	0.83

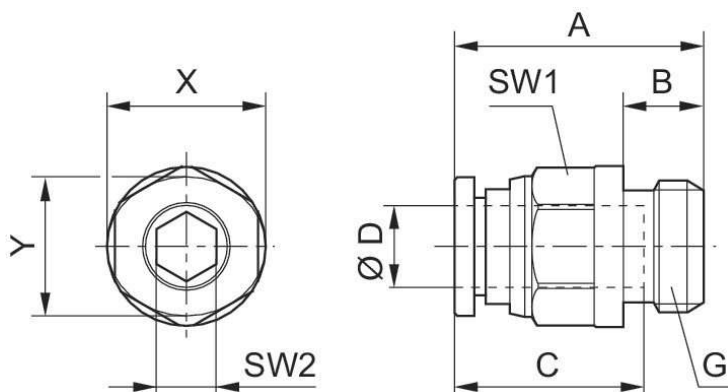
QR1-S-RPN standard series

Compressed air connection type: External thread
 Compressed air connection type 2: Push-in fitting
 Ambient temperature min./max.: -20 °C ... 80 °C
 Working pressure min./max.: -0.95 bar ... 16 bar



G	Ø D	Delivery unit [piece]	Material	Part No.
10-32 UNF	Ø5/32	10	Polyamide	R432000139
10-32 UNF	Ø1/4	10	Polyamide	R432000126
1/8 NPT	Ø1/4	10	Polyamide	R432000128
1/4 NPT	Ø1/4	10	Polyamide	R432000127
1/8 NPT	Ø5/16	10	Polyamide	R432000137
1/8 NPT	Ø5/32	10	Polyamide	R432000141
1/8 NPT	Ø 3/8	10	Polyamide	R432002636
1/4 NPT	Ø 3/8	10	Polyamide	R432000133
1/4 NPT	Ø5/16	10	Polyamide	R432000136
1/4 NPT	Ø1/2	10	Polyamide	R432000124
1/4 NPT	Ø5/32	10	Polyamide	R432000140
3/8 NPT	Ø1/2	10	Polyamide	R432000125
3/8 NPT	Ø1/4	10	Polyamide	R432000129
3/8 NPT	Ø 3/8	10	Polyamide	R432000134
3/8 NPT	Ø5/16	10	Polyamide	R432000138
1/2 NPT	Ø1/2	10	Polyamide	R432000123
1/2 NPT	Ø 3/8	10	Polyamide	R432000132

Dimensions



Dimensions in inches

Part No.	Port D	Port G	A	B	C	SW1	SW2	X	Y
R432000139	Ø5/32	10-32 UNF	0.87	0.16	0.63	7/16	0.09	0.47	0.39
R432000126	Ø1/4	10-32 UNF	0.99	0.16	0.67	1/2	0.09	0.55	0.47
R432000141	Ø5/32	1/8 NPT	0.87	0.32	0.63	7/16	0.09	0.47	0.39
R432000127	Ø1/4	1/4 NPT	1.01	0.43	0.67	9/16	0.16	0.55	0.47
R432000128	Ø1/4	1/8 NPT	0.93	0.32	0.67	1/2	0.16	0.55	0.47
R432000137	Ø5/16	1/8 NPT	1.14	0.32	0.73	9/16	0.19	0.63	0.55
R432002636	Ø 3/8	1/8 NPT	1.24	0.32	0.83	11/16	0.19	0.75	0.67
R432000140	Ø5/32	1/4 NPT	0.87	0.43	0.63	9/16	0.09	0.47	0.39
R432000127	Ø1/4	1/4 NPT	1	0.43	0.67	9/16	0.16	0.55	0.67
R432000136	Ø5/16	1/4 NPT	1.08	0.43	0.73	9/16	0.22	0.63	0.55
R432000133	Ø 3/8	1/4 NPT	1.38	0.43	0.83	11/16	0.22	0.75	0.67
R432000124	Ø1/2	1/4 NPT	1.18	0.43	0.89	7/8	0.25	0.91	0.67
R432000129	Ø1/4	3/8 NPT	0.99	0.47	0.67	11/16	0.16	0.55	0.47
R432000138	Ø5/16	3/8 NPT	1.01	0.47	0.73	11/16	0.22	0.63	0.55
R432000134	Ø 3/8	3/8 NPT	1.2	0.47	0.83	11/16	0.31	0.75	0.67
R432000125	Ø1/2	3/8 NPT	1.28	0.47	0.89	7/8	0.31	0.91	0.83
R432000135	Ø5/16	1/2 NPT	1.1	0.59	0.73	7/8	0.22	0.63	0.55
R432000132	Ø 3/8	1/2 NPT	1.18	0.59	0.83	7/8	0.31	0.75	0.67
R432000123	Ø1/2	1/2 NPT	1.36	0.59	0.89	7/8	0.31	0.91	0.83

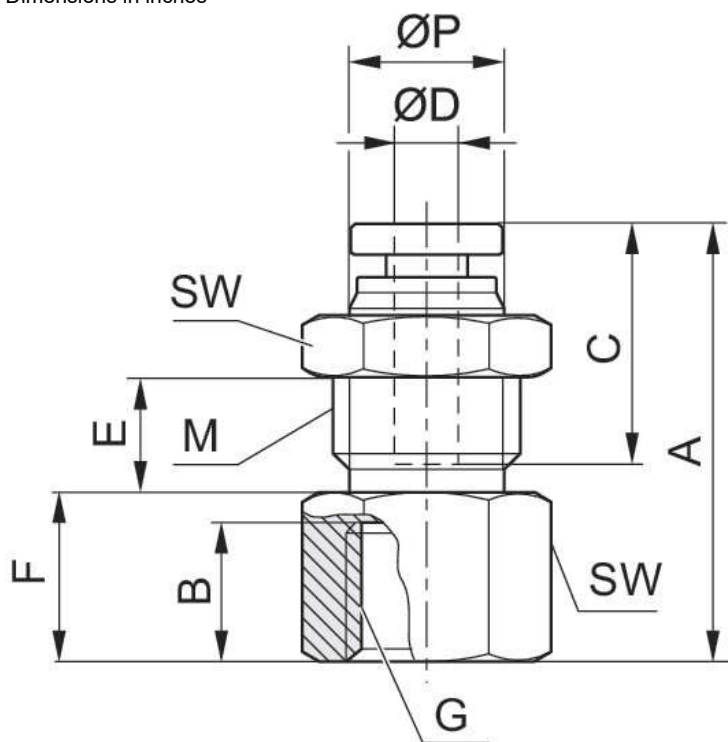
QR1-S-RSI standard series

Compressed air connection type: Internal thread
 Compressed air connection type 2: Push-in fitting
 Ambient temperature min./max.: -20 °C ... 80 °C
 Working pressure min./max.: -0.95 bar ... 16 bar



G	Ø D	Delivery unit [piece]	Material	Part No.
3/8 NPT	Ø1/2	10	Polyamide	R432000142
3/8 NPT	Ø 3/8	10	Polyamide	R432000146
3/8 NPT	Ø5/16	10	Polyamide	R432000149
1/8 NPT	Ø1/4	10	Polyamide	R432000144
1/4 NPT	Ø1/4	10	Polyamide	R432000143
1/4 NPT	Ø 3/8	10	Polyamide	R432000145
1/4 NPT	Ø5/16	10	Polyamide	R432000147

Dimensions in inches



Dimensions in inches

Part No.	Port D	Port G	M	A	B	C	E	F	SW
R432000144	Ø1/4	1/8 NPT	9/16 UNF	1.08	0.36	0.67	0.25	0.35	11/16
R432000143	Ø1/4	1/4 NPT	9/16 UNF	1.26	0.47	0.67	0.25	0.53	11/16
R432000147	Ø5/16	1/4 NPT	5/8 UNF	1.41	0.47	0.73	0.33	0.55	3/4
R432000145	Ø 3/8	1/4 NPT	7/8 UNF	1.4	0.47	0.83	0.23	0.55	1
R432000149	Ø5/16	3/8 NPT	5/8 UNF	1.45	0.51	0.73	0.33	0.59	3/4
R432000146	Ø 3/8	3/8 NPT	7/8 UNF	1.44	0.51	0.83	0.23	0.59	1
R432000142	Ø1/2	3/8 NPT	7/8 UNF	1.52	0.51	0.89	0.34	0.59	1

Part No.	Ø P
R432000144	0.47
R432000143	0.47
R432000147	0.55
R432000145	0.67
R432000149	0.55
R432000146	0.67
R432000142	0.8

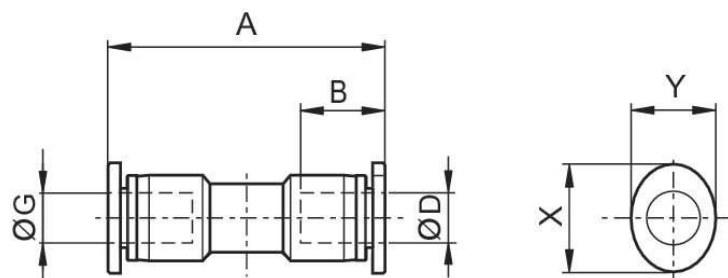
QR1-S-RSK standard series

Compressed air connection type: Push-in fitting
 Compressed air connection type 2: Push-in fitting
 Ambient temperature min./max.: 0 °C ... 60 °C
 Working pressure min./max.: -0.95 bar ... 10 bar



G	Ø D	Delivery unit [piece]	Material	Part No.
Ø5/32	Ø5/32	10	Polyamide	R432000154
Ø5/16	Ø5/16	10	Polybutyleneterephthalate	R432000153
Ø 3/8	Ø 3/8	10	Polybutyleneterephthalate	R432000152
Ø1/4	Ø1/4	10	Polybutyleneterephthalate	R432000151
Ø1/2	Ø1/2	10	Polybutyleneterephthalate	R432000150

Dimensions in inches



Dimensions in inches

Part No.	Port D	Port G	A	B	X	Y
R432000154	Ø5/32	Ø5/32	1.27	0.63	0.47	0.4
R432000151	Ø1/4	Ø1/4	1.4	0.67	0.552	0.47
R432000153	Ø5/16	Ø5/16	1.54	0.73	0.63	0.55
R432000152	Ø 3/8	Ø 3/8	1.67	0.83	0.75	0.67
R432000150	Ø1/2	Ø1/2	1.85	0.89	0.91	0.83

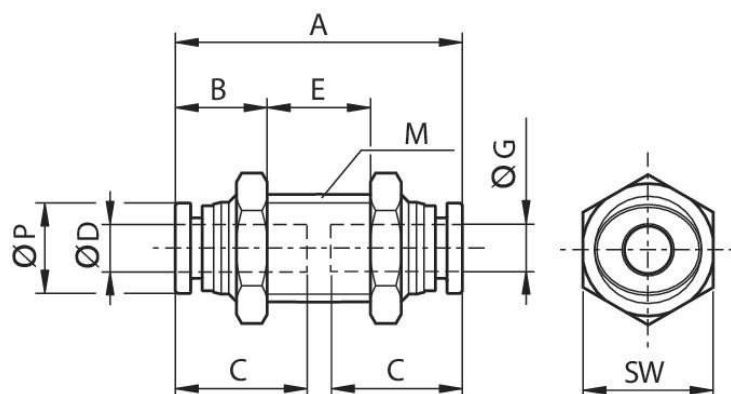
QR1-S-RSM standard series

Compressed air connection type: Push-in fitting
 Compressed air connection type 2: Push-in fitting
 Ambient temperature min./max.: -20 °C ... 80 °C
 Working pressure min./max.: -0.95 bar ... 16 bar



G	Ø D	Delivery unit [piece]	Material	Part No.
Ø5/32	Ø5/32	10	Polyamide	R432000159
Ø5/16	Ø5/16	10	Polyamide	R432000158
Ø3/16	Ø3/16	10	Polyamide	R432030411
Ø 3/8	Ø 3/8	10	Polyamide	R432000157
Ø1/4	Ø1/4	10	Polyamide	R432000156
Ø1/2	Ø1/2	10	Polyamide	R432000155

Dimensions in inches



Dimensions in inches

Part No.	Port D	Port G	M	A	B	C	E	SW	Ø P
R432000159	Ø5/32	Ø5/32	1/2 UNF	1.27	0.74	0.63	0.34	9/16	0.39
R432030411	Ø3/16	Ø3/16	9/16 UNF	1.39	0.48	0.67	0.43	11/16	0.41
R432000156	Ø1/4	Ø1/4	9/16 UNF	1.41	0.51	0.67	0.39	11/16	0.47
R432000158	Ø5/16	Ø5/16	5/8 UNF	1.51	0.57	0.73	0.37	3/4	0.55
R432000157	Ø 3/8	Ø 3/8	7/8 UNF	1.71	0.65	0.83	0.41	1	0.67
R432000155	Ø1/2	Ø1/2	7/8 UNF	1.89	0.62	0.89	0.66	1	0.8

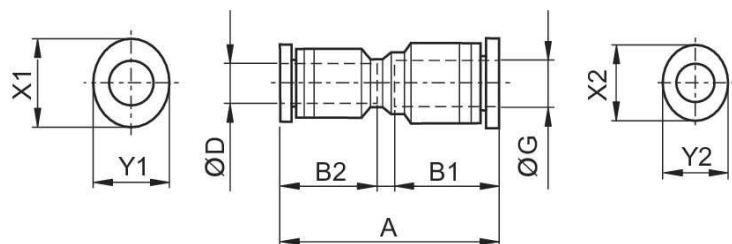
QR1-S-RSR standard series

Compressed air connection type: Push-in fitting
 Compressed air connection type 2: Push-in fitting
 Ambient temperature min./max.: -20 °C ... 80 °C
 Working pressure min./max.: -0.95 bar ... 16 bar



G	Ø D	Delivery unit [piece]	Material	Part No.
Ø5/32	Ø1/4	10	Polyamide	R432000162
Ø5/16	Ø 3/8	10	Polyamide	R432000163
Ø1/4	Ø5/16	10	Polyamide	R432000164
Ø1/4	Ø 3/8	10	Polyamide	R432000161
Ø1/2	Ø 3/8	10	Polyamide	R432000160

Dimensions in inches



Dimensions in inches

Part No.	Port D	Port G	A	B1	B2	X1	Y1	X2	Y2
R432000162	Ø1/4	Ø5/32	1.41	0.71	0.63	0.552	0.473	0.473	0.39
R432000164	Ø5/16	Ø1/4	1.53	0.73	0.67	0.63	0.552	0.552	0.47
R432000161	Ø 3/8	Ø1/4	1.69	0.83	0.76	0.749	0.552	0.552	0.47
R432000163	Ø 3/8	Ø5/16	1.68	0.83	0.73	0.749	0.67	0.63	0.55
R432000160	Ø 3/8	Ø1/2	1.83	0.88	0.83	0.906	0.827	0.749	0.67

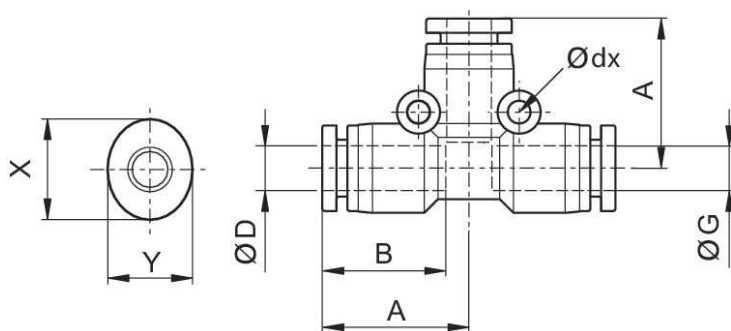
QR1-S-RTK standard series

Compressed air connection type: Push-in fitting
Ambient temperature min./max.: -20 °C ... 80 °C
Working pressure min./max.: -0.95 bar ... 16 bar



G	Ø D	Delivery unit [piece]	Material	Part No.
Ø5/32	Ø5/32	10	Polyamide	R432000170
Ø5/16	Ø5/16	10	Polyamide	R432000169
Ø1/4	Ø1/4	10	Polyamide	R432000167
Ø 3/8	Ø 3/8	10	Polyamide	R432000168
Ø1/2	Ø1/2	10	Polyamide	R432000166

Dimensions in inches



Dimensions in inches

Part No.	Port D	Port G	A	B	X	Y
R432000170	Ø5/32	Ø5/32	0.71	0.63	0.47	0.39
R432000167	Ø1/4	Ø1/4	0.81	0.67	0.55	0.47
R432000169	Ø5/16	Ø5/16	0.89	0.73	0.63	0.55
R432000168	Ø 3/8	Ø 3/8	1.03	0.83	0.75	0.67
R432000166	Ø1/2	Ø1/2	1.15	0.89	0.91	0.83

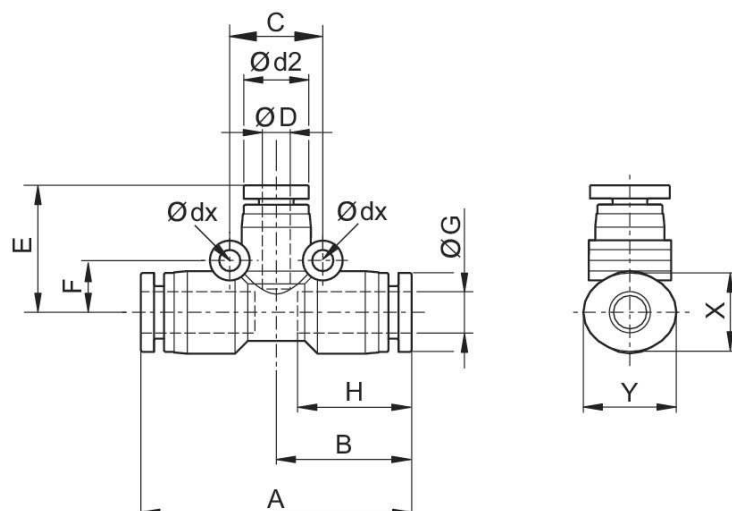
QR1-S-RTR standard series

Compressed air connection type: Push-in fitting
 Compressed air connection type 2: Push-in fitting
 Ambient temperature min./max.: -20 °C ... 80 °C
 Working pressure min./max.: -0.95 bar ... 16 bar



G	Ø D	Delivery unit [piece]	Material	Part No.
Ø5/16	Ø5/32	10	Polyamide	R432003254
Ø 3/8	Ø5/16	10	Polyamide	R432003257
Ø1/2	Ø 3/8	10	Polyamide	R432003259
Ø 3/8	Ø1/4	10	Polyamide	R432003256

Dimensions in inches



Dimensions in inches

Part No.	Port D	Port G	d2	A	B	H	E	X	Y
R432003253	Ø5/32	Ø1/4	0.41	1.6	0.8	0.67	0.75	0.47	0.55
R432003254	Ø5/32	Ø5/16	0.41	1.79	0.89	0.73	0.83	0.55	0.63
R432003256	Ø1/4	Ø3/8	0.49	2.05	1.03	0.83	1	0.67	0.75
R432003257	Ø5/16	Ø3/8	0.57	2.05	1.03	0.83	0.92	0.67	0.75
R432003259	Ø3/8	Ø1/2	0.69	2.3	1.15	0.89	1.07	0.83	0.9

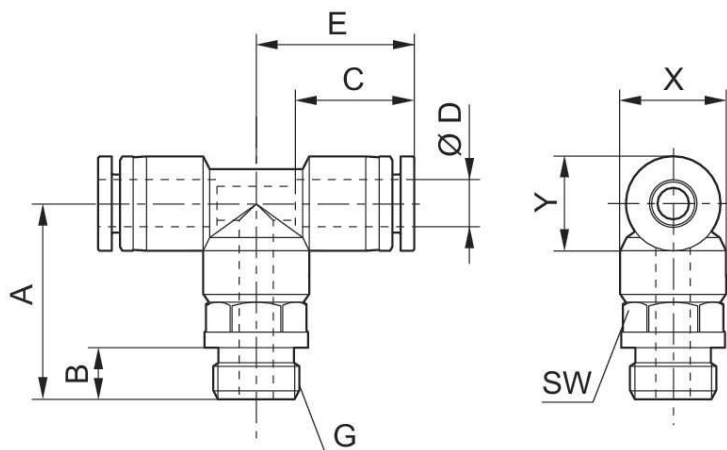
QR1-S-RTT standard series

Compressed air connection type: External thread
 Compressed air connection type 2: Push-in fitting
 Ambient temperature min./max.: -20 °C ... 80 °C
 Working pressure min./max.: -0.95 bar ... 16 bar



G	Ø D	Delivery unit [piece]	Material	Part No.
10-32 UNF	Ø1/4	10	Polyamide	R432000174
10-32 UNF	Ø5/32	10	Polyamide	R432000185
3/8 NPT	Ø1/2	10	Polyamide	R432000173
3/8 NPT	Ø1/4	10	Polyamide	R432000177
3/8 NPT	Ø 3/8	10	Polyamide	R432000180
3/8 NPT	Ø5/16	10	Polyamide	R432000184
3/8 NPT	Ø5/32	10	Polyamide	R432000188
1/8 NPT	Ø1/4	10	Polyamide	R432000176
1/8 NPT	Ø5/16	10	Polyamide	R432000183
1/8 NPT	Ø 3/8	10	Polyamide	R432002639
1/8 NPT	Ø5/32	10	Polyamide	R432000187
1/4 NPT	Ø1/2	10	Polyamide	R432000172
1/4 NPT	Ø1/4	10	Polyamide	R432000175
1/4 NPT	Ø 3/8	10	Polyamide	R432000179
1/4 NPT	Ø5/16	10	Polyamide	R432000182
1/4 NPT	Ø5/32	10	Polyamide	R432000186
1/2 NPT	Ø1/2	10	Polyamide	R432000171
1/2 NPT	Ø 3/8	10	Polyamide	R432000178
1/2 NPT	Ø5/16	10	Polyamide	R432000181

Dimensions



Dimensions in inches

Part No.	Port D	Port G	A	B	C	E	SW	X	Y
R432000171	Ø1/2	1/2 NPT	1.62	0.59	0.89	1.15	7/8	0.91	0.83
R432000172	Ø1/2	1/4 NPT	1.46	0.43	0.89	1.15	7/8	0.91	0.83
R432000173	Ø1/2	3/8 NPT	1.5	0.47	0.89	1.15	7/8	0.91	0.83
R432000174	Ø1/4	10-32 UNF	0.91	0.22	0.67	0.81	1/2	0.55	0.47
R432000175	Ø1/4	1/4 NPT	1.15	0.43	0.67	0.81	9/16	0.55	0.47
R432000176	Ø1/4	1/8 NPT	0.99	0.32	0.67	0.81	1/2	0.55	0.47
R432000177	Ø1/4	3/8 NPT	1.23	0.47	0.67	0.81	11/16	0.55	0.47
R432000178	Ø3/8	1/2 NPT	1.54	0.59	0.83	1.03	7/8	0.75	0.67
R432000179	Ø3/8	1/4 NPT	1.38	0.43	0.83	1.03	11/16	0.75	0.67
R432000180	Ø3/8	3/8 NPT	1.42	0.47	0.83	1.03	11/16	0.75	0.67
R432000181	Ø5/16	1/2 NPT	1.43	0.59	0.73	0.89	7/8	0.63	0.55
R432000182	Ø5/16	1/4 NPT	1.22	0.43	0.73	0.89	9/16	0.63	0.55
R432000183	Ø5/16	1/8 NPT	1.06	0.32	0.73	0.89	9/16	0.63	0.55
R432000184	Ø5/16	3/8 NPT	1.26	0.47	0.73	0.89	11/16	0.63	0.55
R432000185	Ø5/32	10-32 UNF	0.87	0.22	0.63	0.71	7/16	0.47	0.39
R432000186	Ø5/32	1/4 NPT	1.09	0.43	0.63	0.71	9/16	0.47	0.39
R432000187	Ø5/32	1/8 NPT	0.97	0.32	0.63	0.71	7/16	0.47	0.39
R432000188	Ø5/32	3/8 NPT	1.13	0.47	0.63	0.71	11/16	0.47	0.39
R432002639	Ø3/8	1/8 NPT	1.26	0.32	0.83	1.03	11/16	0.75	0.67

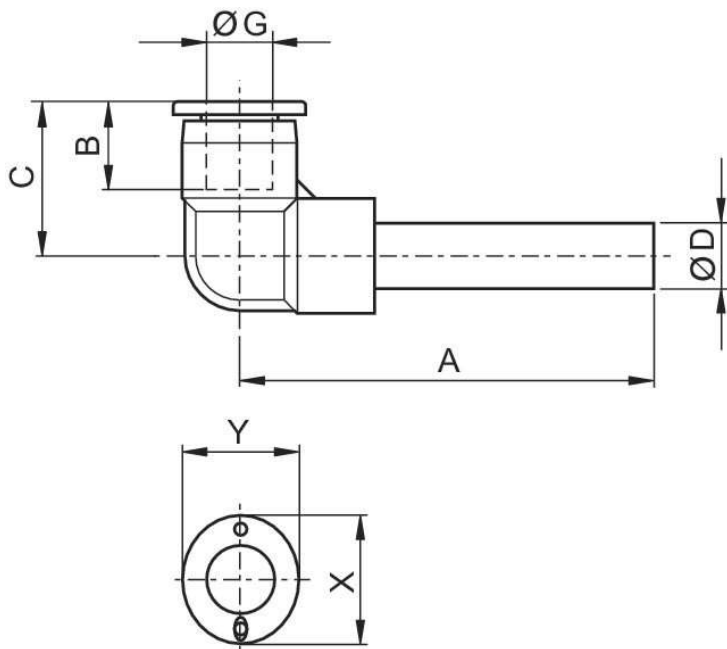
QR1-S-RVA standard series

Compressed air connection type: pin bushing
 Compressed air connection type 2: Push-in fitting
 Ambient temperature min./max.: -20 °C ... 80 °C
 Working pressure min./max.: -0.95 bar ... 16 bar



G	Ø D	Delivery unit [piece]	Material	Part No.
Ø5/32	Ø5/32	10	Polyamide	R432000193
Ø5/16	Ø5/16	10	Polyamide	R432000192
Ø 3/8	Ø 3/8	10	Polyamide	R432000191
Ø1/4	Ø1/4	10	Polyamide	R432000190
Ø1/2	Ø1/2	10	Polyamide	R432000189

Dimensions in inches



Dimensions in inches

Part No.	Port D	Port G	A	B	C	X	Y
R432000193	Ø5/32	Ø5/32	1.21	0.63	0.71	0.47	0.39
R432000190	Ø1/4	Ø1/4	1.42	0.67	0.81	0.55	0.47
R432000192	Ø5/16	Ø5/16	1.58	0.73	0.9	0.63	0.55
R432000191	Ø3/8	Ø3/8	1.85	0.83	1.03	0.75	0.67
R432000189	Ø1/2	Ø1/2	2.05	0.89	1.15	0.91	0.83

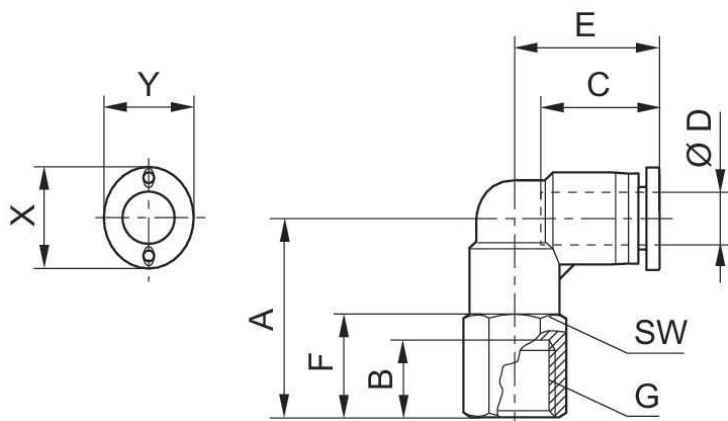
QR1-S-RVI standard series

Compressed air connection type: Internal thread
 Compressed air connection type 2: Push-in fitting
 Ambient temperature min./max.: -20 °C ... 80 °C
 Working pressure min./max.: -0.95 bar ... 16 bar



G	Ø D	Delivery unit [piece]	Material	Part No.
10-32 UNF	Ø1/4	10	Polyamide	R432000194
10-32 UNF	Ø5/32	10	Polyamide	R432000204
3/8 NPT	Ø1/4	10	Polyamide	R432000197
3/8 NPT	Ø 3/8	10	Polyamide	R432000200
3/8 NPT	Ø5/16	10	Polyamide	R432000203
1/8 NPT	Ø1/4	10	Polyamide	R432000196
1/8 NPT	Ø5/16	10	Polyamide	R432000202
1/8 NPT	Ø5/32	10	Polyamide	R432000206
1/4 NPT	Ø1/4	10	Polyamide	R432000195
1/4 NPT	Ø 3/8	10	Polyamide	R432000199
1/4 NPT	Ø5/16	10	Polyamide	R432000201
1/4 NPT	Ø5/32	10	Polyamide	R432000205
1/2 NPT	Ø 3/8	10	Polyamide	R432000198

Dimensions in inches



Dimensions in inches

Part No.	Port D	Port G	A	B	C	E	F	SW	X
R432000204	Ø5/32	10-32 UNF	0.63	0.2	0.63	0.73	0.32	7/16	0.47
R432000194	Ø1/4	10-32 UNF	0.63	0.2	0.67	0.8	0.32	7/16	0.55
R432000206	Ø5/32	1/8 NPT	0.67	0.24	0.63	0.73	0.43	9/16	0.47
R432000196	Ø1/4	1/8 NPT	0.67	0.24	0.67	0.8	0.47	9/16	0.55
R432000202	Ø5/16	1/8 NPT	1.02	0.36	0.73	0.89	0.47	9/16	0.63
R432000205	Ø5/32	1/4 NPT	0.93	0.36	0.63	0.73	0.55	11/16	0.47
R432000195	Ø1/4	1/4 NPT	0.91	0.36	0.67	0.8	0.55	11/16	0.55
R432000201	Ø5/16	1/4 NPT	1.14	0.47	0.73	0.89	0.59	11/16	0.63
R432000199	Ø3/8	1/4 NPT	1.3	0.47	0.83	1.06	0.51	11/16	0.75
R432000197	Ø1/4	3/8 NPT	1.02	0.47	0.67	0.8	0.63	7/8	0.55
R432000203	Ø5/16	3/8 NPT	1.18	0.51	0.73	0.89	0.59	7/8	0.63
R432000200	Ø3/8	3/8 NPT	1.36	0.51	0.83	1.06	0.83	7/8	0.75
R432000198	Ø3/8	1/2 NPT	1.5	0.63	0.83	1.06	0.89	7/8	0.75

Part No.	Y
R432000204	0.39
R432000194	0.47
R432000206	0.39
R432000196	0.47
R432000202	0.55
R432000205	0.39
R432000195	0.47
R432000201	0.55
R432000199	0.67
R432000197	0.47
R432000203	0.55
R432000200	0.67
R432000198	0.67

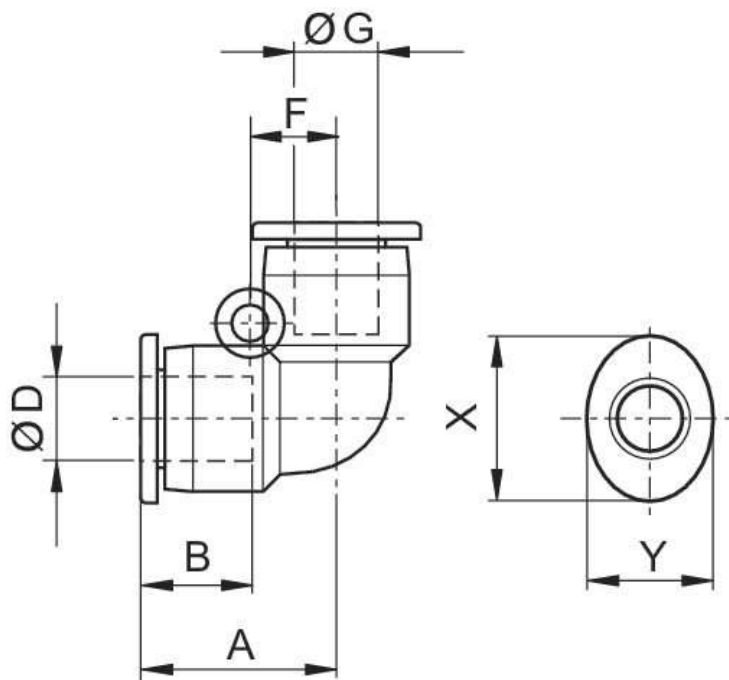
QR1-S-RVK standard series

Compressed air connection type: Push-in fitting
Compressed air connection type 2: Push-in fitting
Ambient temperature min./max.: -20 °C ... 80 °C
Working pressure min./max.: -0.95 bar ... 16 bar



G	Ø D	Delivery unit [piece]	Material	Part No.
Ø5/32	Ø5/32	10	Polyamide	R432000211
Ø5/16	Ø5/16	10	Polyamide	R432000210
Ø 3/8	Ø 3/8	10	Polyamide	R432000209
Ø1/4	Ø1/4	10	Polyamide	R432000208
Ø1/2	Ø1/2	10	Polyamide	R432000207

Dimensions in inches



Dimensions in inches

Part No.	Port D	Port G	A	B	F	X	Y
R432000207	Ø1/2	Ø1/2	18.7	16	6	12	10
R432000208	Ø1/4	Ø1/4	20.4	17	8	14	12
R432000209	Ø3/8	Ø3/8	22.8	18.5	10	16	14
R432000210	Ø5/16	Ø5/16	26.1	21	12	19	17
R432000211	Ø5/32	Ø5/32	29	22.5	14	23	21

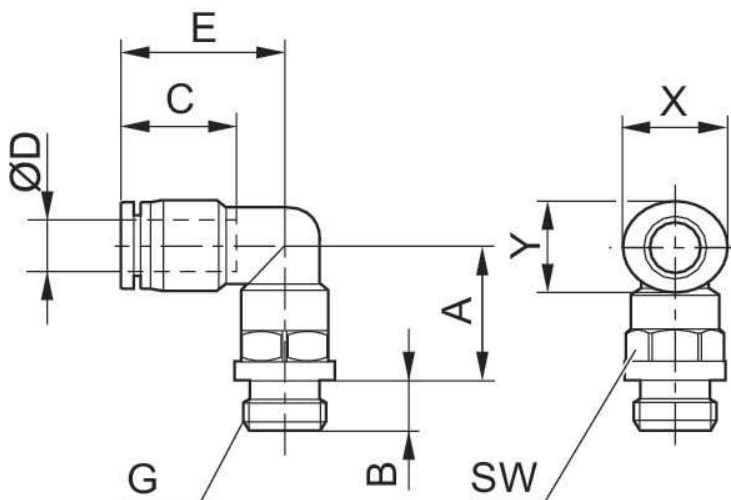
QR1-S-RVT standard series

Compressed air connection type: External thread
 Compressed air connection type 2: Push-in fitting
 Ambient temperature min./max.: -20 °C ... 80 °C
 Working pressure min./max.: -0.95 bar ... 16 bar



G	Ø D	Delivery unit [piece]	Material	Part No.
10-32 UNF	Ø1/4	10	Polyamide	R432000232
10-32 UNF	Ø5/32	10	Polyamide	R432000243
3/8 NPT	Ø1/2	10	Polyamide	R432000231
3/8 NPT	Ø 3/8	10	Polyamide	R432000238
3/8 NPT	Ø1/4	10	Polyamide	R432000235
3/8 NPT	Ø5/16	10	Polyamide	R432000242
1/8 NPT	Ø1/4	10	Polyamide	R432000234
1/8 NPT	Ø5/16	10	Polyamide	R432000241
1/8 NPT	Ø5/32	10	Polyamide	R432000245
1/8 NPT	Ø 3/8	10	Polyamide	R432002637
1/4 NPT	Ø1/2	10	Polyamide	R432000230
1/4 NPT	Ø1/4	10	Polyamide	R432000233
1/4 NPT	Ø 3/8	10	Polyamide	R432000237
1/4 NPT	Ø5/16	10	Polyamide	R432000240
1/4 NPT	Ø5/32	10	Polyamide	R432000244
1/2 NPT	Ø1/2	10	Polyamide	R432000229
1/2 NPT	Ø 3/8	10	Polyamide	R432000236
1/2 NPT	Ø5/16	10	Polyamide	R432000239

Dimensions in inches



Dimensions in inches

Part No.	Port D	Port G	A	B	C	E	SW	X	Y
R432000243	Ø5/32	10-32 UNF	0.65	0.22	0.63	0.71	5/16	0.47	0.39
R432000232	Ø1/4	10-32 UNF	0.69	0.22	0.67	0.81	5/16	0.55	0.47
R432000245	Ø5/32	1/8 NPT	0.65	0.32	0.63	0.71	7/16	0.47	0.39
R432000234	Ø1/4	1/8 NPT	0.67	0.32	0.67	0.81	7/16	0.55	0.47
R432000241	Ø5/16	1/8 NPT	0.75	0.32	0.73	0.89	7/16	0.63	0.55
R432002637	Ø 3/8	1/8 NPT	0.94	0.31	0.83	1.03	11/16	0.67	0.75
R432000244	Ø5/32	1/4 NPT	0.65	0.43	0.63	0.71	9/16	0.47	0.39
R432000233	Ø1/4	1/4 NPT	0.71	0.43	0.67	0.81	9/16	0.55	0.47
R432000240	Ø5/16	1/4 NPT	0.79	0.43	0.73	0.89	9/16	0.63	0.55
R432000237	Ø 3/8	1/4 NPT	0.94	0.43	0.83	1.03	19/32	0.75	0.67
R432000230	Ø1/2	1/4 NPT	1.02	0.43	0.89	1.15	19/32	0.91	0.83
R432000235	Ø1/4	3/8 NPT	0.75	0.47	0.67	0.81	11/16	0.55	0.47
R432000242	Ø5/16	3/8 NPT	0.79	0.47	0.73	0.89	11/16	0.63	0.55
R432000238	Ø 3/8	3/8 NPT	0.94	0.47	0.83	1.03	11/16	0.75	0.67
R432000231	Ø1/2	3/8 NPT	1.02	0.47	0.89	1.15	11/16	0.91	0.83
R432000239	Ø5/16	1/2 NPT	0.83	0.59	0.73	0.89	7/8	0.63	0.55
R432000236	Ø 3/8	1/2 NPT	0.94	0.59	0.83	1.03	7/8	0.75	0.67
R432000229	Ø1/2	1/2 NPT	1.02	0.59	0.89	1.15	7/8	0.91	0.83

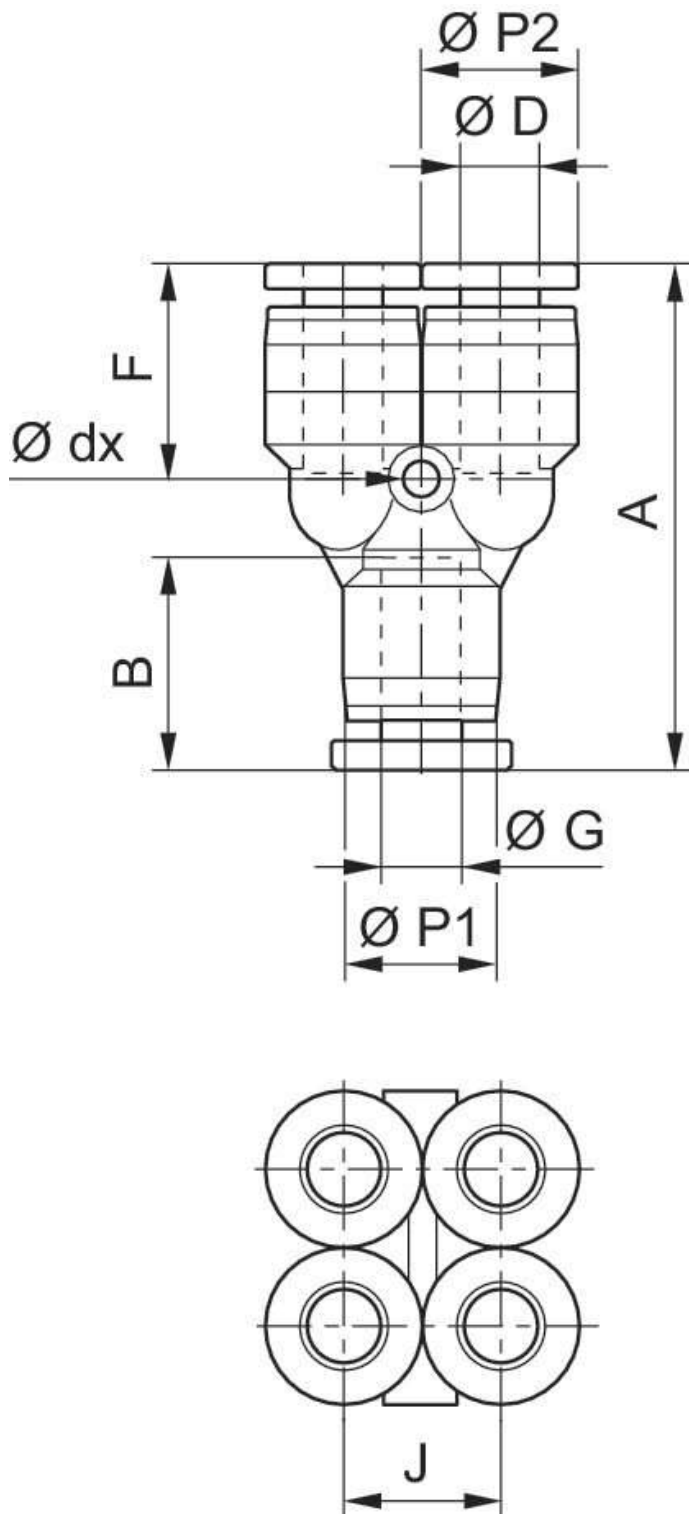
QR1-S-RYK standard series

Compressed air connection type: Push-in fitting
 Compressed air connection type 2: Push-in fitting
 Ambient temperature min./max.: -20 °C ... 80 °C
 Working pressure min./max.: -0.95 bar ... 16 bar



G	Ø D	Delivery unit [piece]	Material	Part No.
Ø1/2	Ø1/2	10	Polyamide	R432000266
Ø1/4	Ø1/4	10	Polyamide	R432000267
Ø 3/8	Ø 3/8	10	Polyamide	R432000268
Ø5/16	Ø5/16	10	Polyamide	R432000269
Ø5/32	Ø5/32	10	Polyamide	R432000270

Dimensions in inches



Dimensions in inches

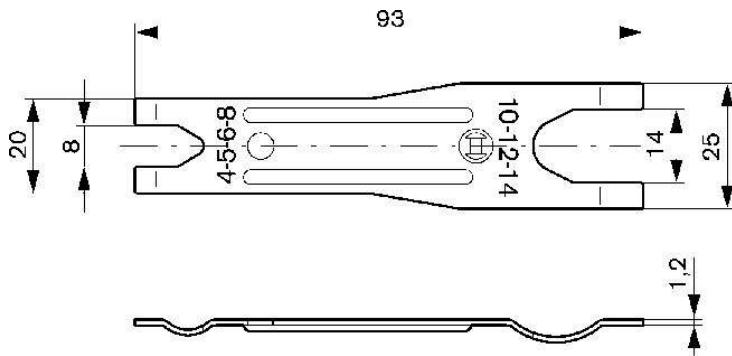
Part No.	Port D	Port G	A	B	J	X	Y
R432000266	Ø1/2	Ø1/2	2.09	0.89	0.82	0.91	0.83
R432000267	Ø1/4	Ø1/4	1.55	0.67	0.47	0.55	0.47
R432000268	Ø3/8	Ø3/8	1.99	0.83	0.71	0.75	0.67
R432000269	Ø5/16	Ø5/16	1.79	0.73	0.55	0.63	0.55
R432000270	Ø5/32	Ø5/32	1.37	0.63	0.38	0.47	0.39

Release tool



Delivery unit [piece]	Part No.
5	1823391651





Release tool



Efficient pneumatic solutions, our program:
cylinders and drives, valves and valve systems,
air supply management, proportional pressure
control valves



Visit us: www.Emerson.com/aventics
Your local contact: Emerson.com/contactus

-  Emerson.com
-  Facebook.com/EmersonAutomationSolutions
-  LinkedIn.com/company/Emerson-Automation-Solutions
-  Twitter.com/EMR_Automation



The Emerson logo is a trademark and service mark of Emerson Electric Co. AVENTICS is a registered trademark of one of the Emerson family of companies. All other trademarks are the property of their respective owners. © 2020 Emerson Electric Co. All rights reserved.



CONSIDER IT SOLVED[®]