

CD07



AVENTICS™

AVENTICS Series CD07  
Directional valves

  
EMERSON™

## Series CD07

The AVENTICS Series CD consists of various spool valves with an extremely durable die-cast zinc housing. Its electrical, pneumatic, or mechanical actuating controls (roller, lever, pedal, or plunger) make the Series CD ideal for applications in harsh environments.

- Durable design
- Assembly on base plate
- Suitable for extreme ambient temperatures
- Resistant to voltage fluctuations
- ATEX version available
- Check the compatibility index to match the coil to the valve.



## Product overview

	Page
<b>Electrically operated</b>	
3/2-directional valve, Series CD07, single solenoid.....	8
Basic valve without coil - -25 °C cold-resistant - NC/NO	
3/2-directional valve, Series CD07, single solenoid.....	9
-25 °C cold-resistant - NC/NO	
5/2-directional valve, Series CD07, single solenoid.....	12
Basic valve without coil - M14x1,5 - Internal - -25 °C cold-resistant	
5/2-directional valve, Series CD07, single solenoid.....	14
M14x1,5 - Internal - -25 °C cold-resistant	
5/2-directional valve, Series CD07, double solenoid.....	16
Basic valve without coil - M14x1,5 - -25 °C cold-resistant	
5/2-directional valve, Series CD07, double solenoid.....	18
M14x1,5 - -25 °C cold-resistant	
5/2-directional valve, Series CD07, single solenoid.....	20
Basic valve without coil - G 1/4 - -25 °C cold-resistant	
5/2-directional valve, Series CD07, single solenoid.....	22
G 1/4 - -25 °C cold-resistant	
5/2-directional valve, Series CD07, double solenoid.....	24
Basic valve without coil - G 1/4 - -25 °C cold-resistant	
5/2-directional valve, Series CD07, double solenoid.....	25
G 1/4 - -25 °C cold-resistant	
5/2-directional valve, Series CD07, single solenoid.....	27
Basic valve without coil - NAMUR - G 1/4 - Internal - -25 °C cold-resistant	
5/2-directional valve, Series CD07, single solenoid.....	28
NAMUR - G 1/4 - Internal - -25 °C cold-resistant	
5/2-directional valve, Series CD07, double solenoid.....	30
Basic valve without coil - NAMUR - G 1/4 - Internal - -25 °C cold-resistant	
5/2-directional valve, Series CD07, double solenoid.....	31
NAMUR - G 1/4 - Internal - -25 °C cold-resistant	
5/3-directional valve, Series CD07.....	33
Basic valve without coil - G 1/4 - -25 °C cold-resistant	
5/3-directional valve, Series CD07.....	35
M14x1,5 - -30 °C cold-resistant	
5/3-directional valve, Series CD07.....	37
G 1/4 - -25 °C cold-resistant	
<b>Electrically operated, imperial</b>	
5/2-directional valve, Series CD07, single solenoid.....	39
1/4 NPT	
5/2-directional valve, Series CD07, single solenoid.....	41
1/4 NPT - Internal	
5/2-directional valve, Series CD07, double solenoid.....	43
1/4 NPT	
5/2-directional valve, Series CD07, double solenoid.....	45
1/4 NPT	
5/3-directional valve, Series CD07.....	46
1/4 NPT	

### Electrically operated, Rail

**Product overview**

	Page
3/2-directional valve, Series CD07-LT, single solenoid.....	48
G 1/4 - Internal - -40 °C cold-resistant - NC	
3/2-directional valve, Series CD07-LT, double solenoid.....	50
G 1/4 - Internal - -40 °C cold-resistant - NC	
3/2-directional valve, Series CD07-LT, single solenoid.....	52
G 1/4 - External - -40 °C cold-resistant - NC	
3/2-directional valve, Series CD07-LT, double solenoid.....	54
G 1/4 - External - -40 °C cold-resistant - NC	
3/2-directional valve, Series CD07-LT, single solenoid.....	56
flange - Internal - -40 °C cold-resistant - NC	
3/2-directional valve, Series CD07-LT, double solenoid.....	58
flange - Internal - -40 °C cold-resistant - NC	
3/2-directional valve, Series CD07-LT, single solenoid.....	60
flange - Internal - -40 °C cold-resistant - NC	
3/2-directional valve, Series CD07-LT, double solenoid.....	62
flange - Internal - -40 °C cold-resistant - NC	
5/2-directional valve, Series CD07-LT, double solenoid.....	64
G 1/4 - Internal - -40 °C cold-resistant - NC	
5/2-directional valve, Series CD07-LT, double solenoid.....	66
G 1/4 - Internal - -40 °C cold-resistant - NC	
5/2-directional valve, Series CD07-LT, single solenoid.....	68
G 1/4 - External - -40 °C cold-resistant - NC	
5/2-directional valve, Series CD07-LT, double solenoid.....	70
G 1/4 - External - -40 °C cold-resistant - NC	
5/2-directional valve, Series CD07-LT, single solenoid.....	72
flange - External - -40 °C cold-resistant - NC	
5/2-directional valve, Series CD07-LT, double solenoid.....	74
flange - Internal - -40 °C cold-resistant - NC	
5/2-directional valve, Series CD07-LT, single solenoid.....	76
flange - Internal - -40 °C cold-resistant - NC	
5/2-directional valve, Series CD07-LT, double solenoid.....	78
flange - Internal - -40 °C cold-resistant - NC	
<b>Pneumatically operated</b>	
2/2-directional valve, Series CD07.....	80
M14x1,5 - Suitable for ATEX - -25 °C cold-resistant - NO	
3/2-directional valve, Series CD07, single/double air Pilot.....	81
Suitable for ATEX - -25 °C cold-resistant - NC/NO	
3/2-directional valve, Series CD07, single/double air Pilot.....	82
Suitable for ATEX - NC/NO	
5/2-directional valve, Series CD07, single/double air Pilot.....	83
Suitable for ATEX - -25 °C cold-resistant	
5/2-directional valve, Series CD07, single/double air Pilot.....	84
G 1/4 - Suitable for ATEX - -40 °C cold-resistant	
5/3-directional valve, Series CD07, Double Air Pilot.....	85
Suitable for ATEX - -25 °C cold-resistant	
<b>Pneumatically operated, imperial</b>	
5/2-directional valve, Series CD07, Single Air Pilot.....	86
1/4 NPT - -30 °C cold-resistant	

## Product overview

	Page
5/2-directional valve, Series CD07, Double Air Pilot..... 1/4 NPT - -30 °C cold-resistant	87
<b>Mechanically operated</b>	
3/2-directional valve, Series CD07, Plunger..... G 1/4 - Plunger - NC/NO	88
3/2-directional valve, Series CD07, Roller..... G 1/4 - Roller - NC/NO	89
3/2-directional valve, Series CD07, Hand lever, with detent, without detent..... G 1/4 - Hand lever, with detent, without detent - NC/NO	90
3/2-directional valve, Series CD07, Hand lever..... G 1/4 - Hand lever - NC/NO	92
3/2-directional valve, Series CD07, Lever, horizontal, with detent..... G 1/4 - Lever, horizontal, with detent - NC/NO	94
3/2-directional valve, Series CD07, Button..... G 1/4 - Button	96
3/2-directional valve, Series CD07, Button, beige..... G 1/4 - Single-action lever with roller on bellows - NC/NO	99
5/2-directional valve, Series CD07, Plunger..... G 1/4 - Plunger - NC/NO	100
5/2-directional valve, Series CD07, Roller..... G 1/4 - Roller - NC/NO	101
5/2-directional valve, Series CD07, Hand lever, with detent, without detent..... G 1/4 - Hand lever, with detent, without detent - NC/NO	103
5/2-directional valve, Series CD07, Hand lever..... G 1/4 - Hand lever - NC/NO	105
5/2-directional valve, Series CD07, Rotary lever, with detent..... G 1/4 - Rotary lever, with detent - NC/NO	107
5/2-directional valve, Series CD07, Button..... G 1/4 - Button - NC/NO	109
5/2-directional valve, Series CD07, Roller, -40 °C cold-resistant..... G 1/4 - -30 °C cold-resistant - Roller - NC/NO	110
5/2-directional valve, Series CD07, Hand lever, -40 °C cold-resistant..... G 1/4 - -30 °C cold-resistant - Hand lever, with detent, without detent - NC/NO	112
5/2-directional valve, Series CD07, foot pedal..... G 1/4 - Pedal - NO	114
5/2-directional valve, Series CD07, foot pedal with detent..... G 1/4 - Pedal, with detent - NO	116
<b>Mechanically operated, imperial</b>	
5/2-directional valve, Series CD07, Plunger..... Soft seal - Plunger	118
5/2-directional valve, Series CD07, Roller..... Soft seal - Roller	119
5/2-directional valve, Series CD07, Hand lever, with detent, without detent..... Soft seal - Hand lever, with detent, without detent	120
5/2-directional valve, Series CD07, Hand lever..... Soft seal - Hand lever	122
5/2-directional valve, Series CD07, Rotary lever, with detent..... Soft seal - Rotary lever, with detent	123

**Product overview**

	Page
5/2-directional valve, Series CD07, Button..... Soft seal	125
5/2-directional valve, Series CD07, Pedal..... Inch version - Soft seal - Pedal	126
<b>Accessories overview Valves</b>	
3/2-directional valve, Series DP30-LT, Manual override: with detent..... Complies with standards for railway applications Low temperature Pilot valve mounting on the side - Soft seal	127
3/2-directional valve, Series DP30-LT, Manual override: without detent..... Complies with standards for railway applications Low temperature Pilot valve mounting on the side - Soft seal	129
<b>Accessories overview Electrical accessories</b>	
Valve plug connector, series CON-VP, Form A, 24 V AC/DC, Flat gasket.....	131
Valve plug connector, series CON-VP, form A, 115/230 V AC/DC.....	133
Valve plug connector, series CON-VP, Form A, 300 V DC / 250 V AC, 2-pin.....	135
Valve plug connector, series CON-VP, Form A, 300 V DC / 250 V AC, 3-pin.....	137
Valve plug connector with cable series CON-VP, Form A..... 230 V AC/DC	139
Valve plug connector with cable series CON-VP, Form A..... Varistor - 230 V AC/DC	141
Adapter, Series CON-VP, from form A to form C..... from form A to form C	143
Coil, Series CO2, form A, class F, polyamide..... Check the compatibility index to match the coil to the valve. - Plug	144
Coil, Series CO2, form A, class F, polyamide, CE..... Check the compatibility index to match the coil to the valve. - Plug	146
Coil, Series CO2, form A, class F, Polyphenylene sulfide, UL..... Check the compatibility index to match the coil to the valve. - Plug	148
Coil, Series CO1, ATEX..... With valve plug connector - ATEX	150
Coil, Series CO1, with cable, ATEX..... Cable with valve plug connector - ATEX	152
Coil, Series CO1, form A, CERAM..... form A - Plug	154
<b>Accessories overview Mechanical accessories</b>	
Kit, Series CD07, Manual override lock..... for manual override	156
Accessories, Series CD07, mounting plate.....	157
Accessories, Series CD07, protective cover for valve foot pedal.....	159
Blanking plate, for series CD07.....	161
R, P, S subbase, Series CD07.....	162
P-manifold.....	164
Accessories, Series CD07, R, P, S subbase.....	166
<b>Accessories overview Silencer</b>	
Silencers, series SI1, Sintered bronze.....	167
Silencers, series SI1, Sintered bronze.....	172
Silencers, series SI1, Sintered bronze.....	175
Silencers, series SI1, Stainless Steel.....	178

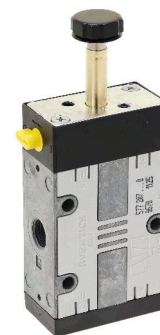
## Product overview

Silencers, series SI1, Polyethylene.....

Page  
181

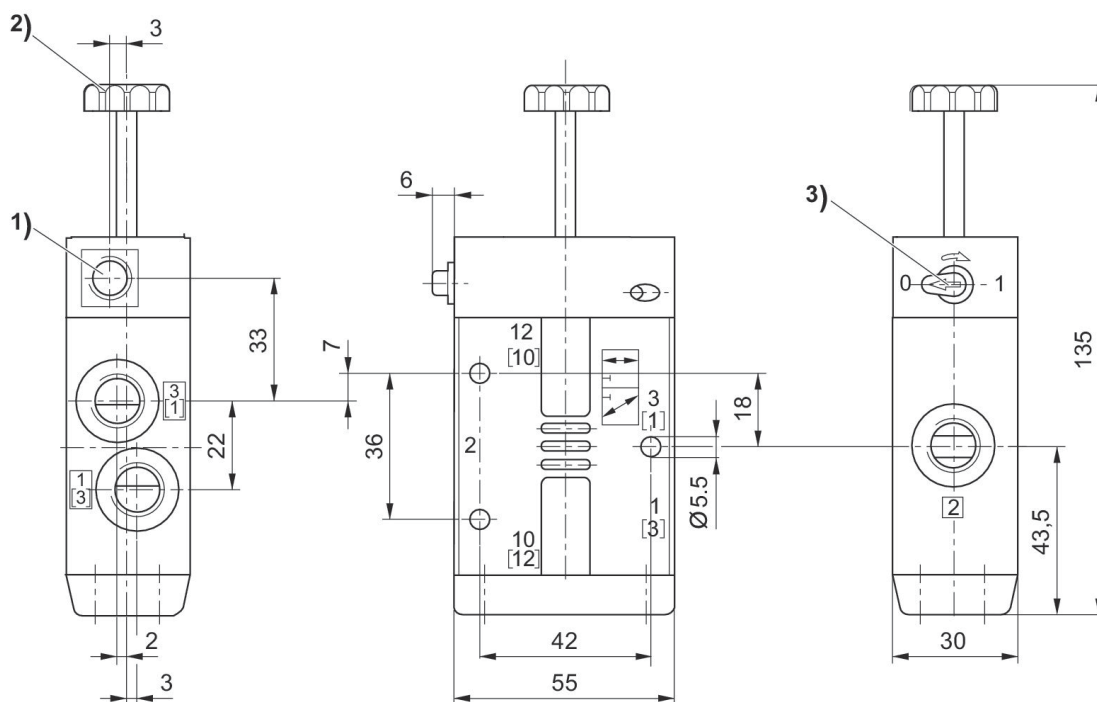
### 3/2-directional valve, Series CD07, single solenoid

Flow: 1400 l/min  
 Pilot valve width: 30 mm  
 Activation: Electrically operated  
 Manual override: with detent  
 Qn 1 > 2: 1400 l/min  
 Compressed air connection type: Internal thread  
 Basic valve equipment: Basic valve without coil  
 Min. control pressure: 3 bar  
 Max. control pressure: 10 bar  
 Duty cycle: 100 %  
 Type: Spool valve, positive overlapping  
 Ambient temperature min./max.: -25 °C ... 50 °C  
 Medium temperature min./max.: -25 °C ... 50 °C  
 Working pressure min./max.: 10 bar



Compressed air connection	Function	Pilot	Manual override	Compatibility index	Min. ambient temperature [°C]	Max. ambient temperature [°C]	Basic valve equipment	Part No.
M14x1,5	NC/NO	Internal	with detent	52	-25	50	Basic valve without coil	5772025402
M14x1,5	NC/NO	External	with detent	52	-25	50	Basic valve without coil	5772035402
G 1/4	NC/NO	Internal	with detent	52	-25	50	Basic valve without coil	5772075402
G 1/4	NC/NO	External	with detent	52	-25	50	Basic valve without coil	5772085402
G 1/4	NC/NO	Internal	without	52	-25	50	Basic valve without coil	5772965402

Dimensions in mm



- 1) Only with separate pilot control G 1/8
- 2) After removal of cap M 5 internal thread
- 3) Manual override

**3/2-directional valve, Series CD07, single solenoid**

Flow: 1400 l/min  
 Pilot valve width: 30 mm  
 Activation: Electrically operated  
 Manual override: with detent  
 Electrical connection 2, thread size: EN 175301-803, form A  
 Qn 1 > 2: 1400 l/min  
 Compressed air connection type: Internal thread  
 Min. control pressure: 3 bar  
 Max. control pressure: 10 bar  
 Duty cycle: 100 %  
 Type: Spool valve, positive overlapping  
 Medium temperature min./max.: -25 °C ... 50 °C  
 Working pressure min./max.: 10 bar

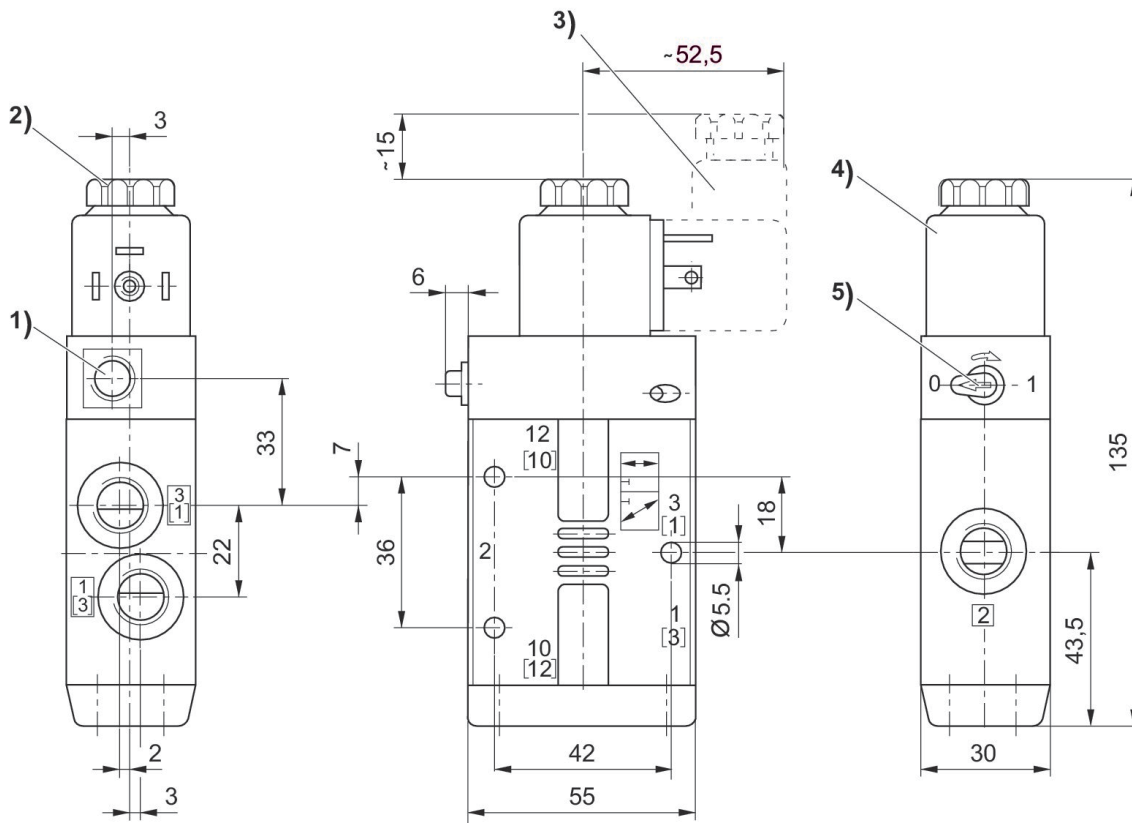


	Operational voltage	Operational voltage AC at 50 Hz	Operational voltage AC at 60 Hz	Compressed air connection	Function	Pilot	Manual override	Part No.
	24 V DC			M14x1,5	NC/NO	Internal	with detent	5772020220
	110 V AC	110 V	110 V	M14x1,5	NC/NO	Internal	with detent	5772025270
	230 V AC	230 V	230 V	M14x1,5	NC/NO	Internal	with detent	5772025280
	110 V DC			M14x1,5	NC/NO	Internal	with detent	5772020770
	24 V DC			M14x1,5	NC/NO	External	with detent	5772030220
	230 V AC	230 V	230 V	M14x1,5	NC/NO	External	with detent	5772035280
	24 V DC			G 1/4	NC/NO	Internal	with detent	5772070220
	110 V AC	110 V	110 V	G 1/4	NC/NO	Internal	with detent	5772075270
	230 V AC	230 V	230 V	G 1/4	NC/NO	Internal	with detent	5772075280
	24 V DC			G 1/4	NC/NO	Internal	with detent	5772072220
	24 V AC	24 V	24 V	G 1/4	NC/NO	Internal	with detent	5772075220
	24 V DC			G 1/4	NC/NO	External	with detent	5772080220
	110 V AC	110 V	110 V	G 1/4	NC/NO	External	with detent	5772085270

	Operational voltage	Operational voltage AC at 50 Hz	Operational voltage AC at 60 Hz	Compressed air connection	Function	Pilot	Manual override	Part No.
	230 V AC	230 V	230 V	G 1/4	NC/NO	External	with detent	5772085280
	24 V AC	24 V	24 V	G 1/4	NC/NO	External	with detent	5772085220
	24 V DC			G 1/4	NC/NO	Internal	with detent	R412004091
	24 V DC			G 1/4	NC/NO	External	with detent	R412004092
	24 V DC			G 1/4	NC/NO	Internal	without	5772960220

ATEX	Compatibility index	Min. ambient temperature [°C]	Part No.
	52		5772020220
	52		5772025270
	52		5772025280
	52		5772020770
	52		5772030220
	52		5772035280
Free of substances that impair surface wetting in the coating process	13, 14		5772070220
	52		5772075270
	52		5772075280
	52		5772072220
	52		5772075220
	52		5772080220
	52		5772085270
	52		5772085280
	52		5772085220
ATEX	13, 14	-10	R412004091
ATEX	13, 14	-10	R412004092
	13, 14		5772960220

Dimensions in mm



- 1) Only with separate pilot control G 1/8
- 2) After removal of cap M 5 internal thread
- 3) Valve plug connector
- 4) Coil can be plugged at 45° intervals
- 5) Manual override

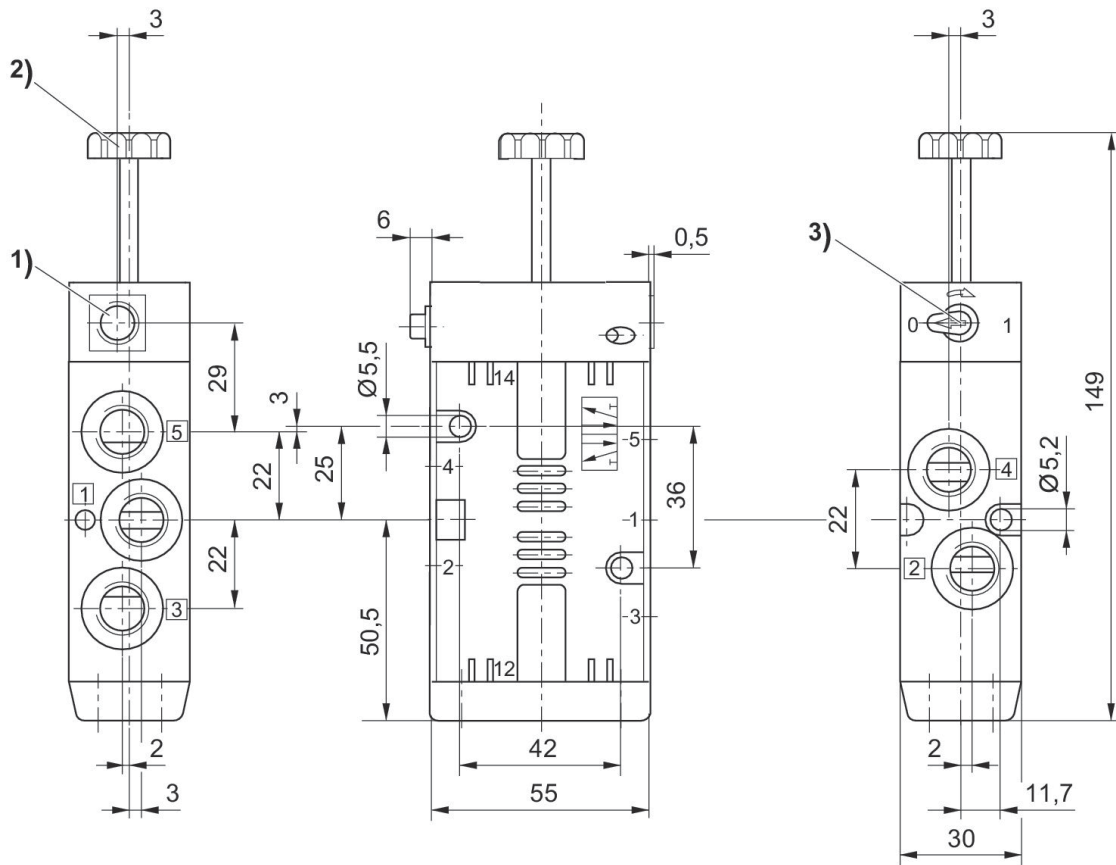
**5/2-directional valve, Series CD07, single solenoid**

Flow: 1200 l/min  
 Pilot valve width: 30 mm  
 Activation: Electrically operated  
 Manual override: with detent  
 Coil width: 30 mm  
 Electrical connection 2, thread size: EN 175301-803, form A  
 Qn 1 > 2: 1200 l/min  
 Compressed air connection type: Internal thread  
 Basic valve equipment: Basic valve without coil  
 Electrical connection 2, number of poles: 3-pin  
 Compressed air connection input: M14x1,5  
 Compressed air connection output: M14x1,5  
 Compressed air connection, exhaust: M14x1,5  
 Min. control pressure: 3 bar  
 Max. control pressure: 10 bar  
 Duty cycle: 100 %  
 Type: Spool valve, positive overlapping  
 Ambient temperature min./max.: -25 °C ... 50 °C  
 Medium temperature min./max.: -25 °C ... 50 °C  
 Working pressure min./max.: 3.5 bar ... 10 bar



	Compressed air connection	Pilot	Manual override	Compatibility index	Min. ambient temperature [°C]	Max. ambient temperature [°C]	Basic valve equipment	Part No.
	M14x1,5	Internal	with detent	52	-25	50	Basic valve without coil	5776025402
	M14x1,5	External	with detent	52	-25	50	Basic valve without coil	5776035402

Dimensions in mm



- 1) Only with separate pilot control G 1/8
- 2) After removal of cap M 5 internal thread
- 3) Manual override

**5/2-directional valve, Series CD07, single solenoid**

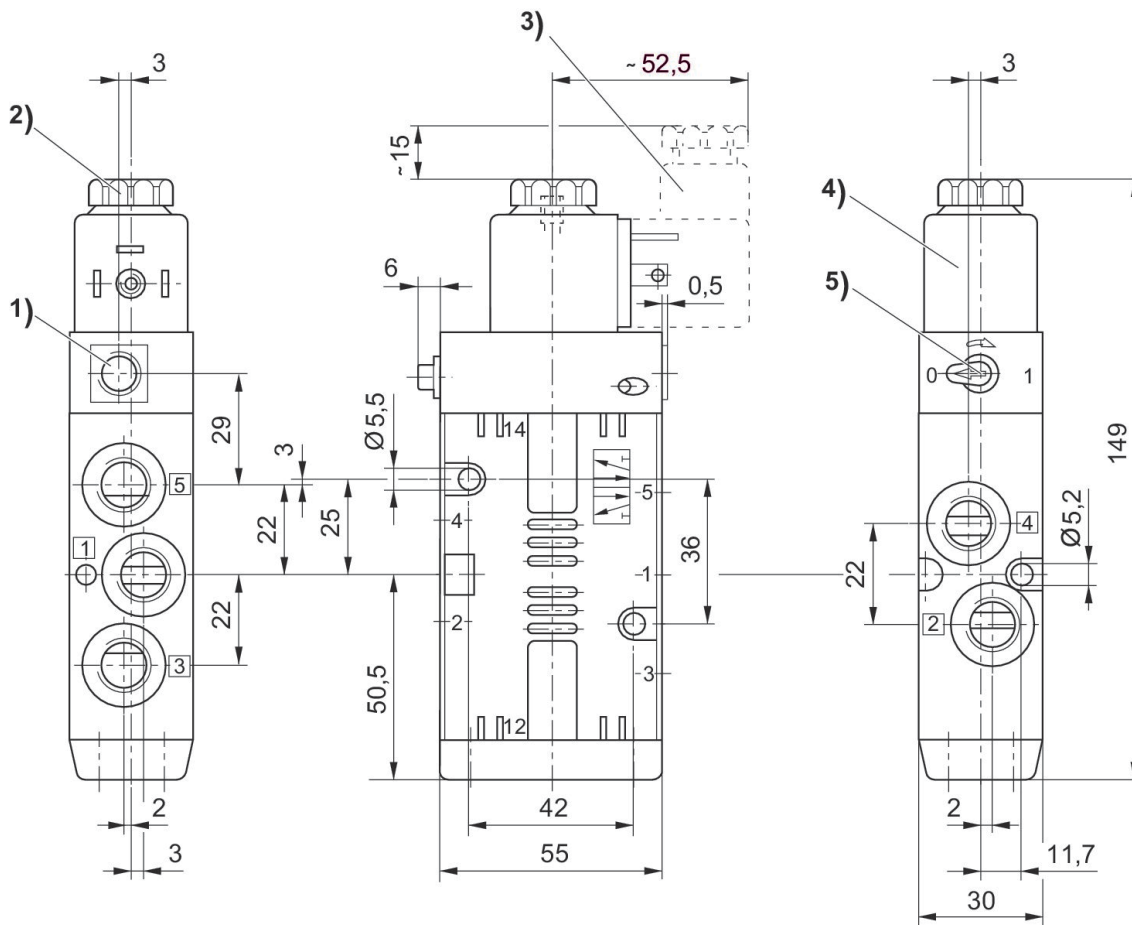
Flow: 1200 l/min  
 Pilot valve width: 30 mm  
 Activation: Electrically operated  
 Manual override: with detent  
 Coil width: 30 mm  
 Electrical connection 2, thread size: EN 175301-803, form A  
 Qn 1 > 2: 1200 l/min  
 Compressed air connection type: Internal thread  
 Electrical connection 2, number of poles: 3-pin  
 Compressed air connection input: M14x1,5  
 Compressed air connection output: M14x1,5  
 Compressed air connection, exhaust: M14x1,5  
 Min. control pressure: 3 bar  
 Max. control pressure: 10 bar  
 Duty cycle: 100 %  
 Type: Spool valve, positive overlapping  
 Ambient temperature min./max.: -25 °C ... 50 °C  
 Medium temperature min./max.: -25 °C ... 50 °C  
 Working pressure min./max.: 3.5 bar ... 10 bar



	Operational voltage	Operational voltage AC at 50 Hz	Operational voltage AC at 60 Hz	Compressed air connection	Pilot	Manual override	Compatibility index	Part No.
	24 V DC			M14x1,5	Internal	with detent	52	5776020220
		110 V	110 V	M14x1,5	Internal	with detent	52	5776025270
		230 V	230 V	M14x1,5	Internal	with detent	52	5776025280
	24 V DC			M14x1,5	External	with detent	52	5776030220
		230 V	230 V	M14x1,5	External	with detent	52	5776035280

Min. ambient temperature [°C]	Max. ambient temperature [°C]	Part No.
-25	50	5776020220
-25	50	5776025270
-25	50	5776025280
-25	50	5776030220
-25	50	5776035280

Dimensions in mm



- 1) Only with separate pilot control G 1/8
- 2) After removal of cap M 5 internal thread
- 3) Valve plug connector
- 4) Coil pluggable at 45° intervals
- 5) Manual override

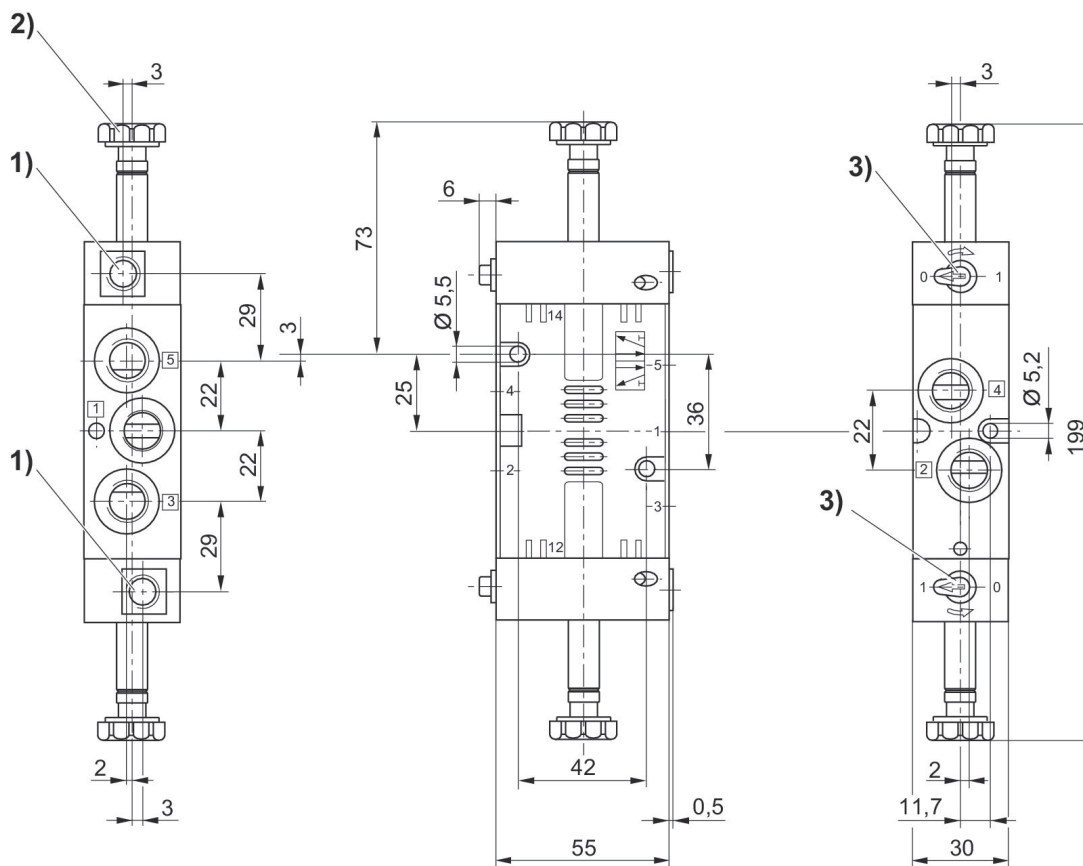
**5/2-directional valve, Series CD07, double solenoid**

Flow: 1200 l/min  
 Pilot valve width: 30 mm  
 Activation: Electrically operated  
 Actuating control: Double Solenoid  
 Manual override: with detent  
 Coil width: 30 mm  
 Electrical connection 2, thread size: EN 175301-803, form A  
 Qn 1 > 2: 1200 l/min  
 Compressed air connection type: Internal thread  
 Basic valve equipment: Basic valve without coil  
 Electrical connection 2, number of poles: 3-pin  
 Compressed air connection input: M14x1,5  
 Compressed air connection output: M14x1,5  
 Compressed air connection, exhaust: M14x1,5  
 Min. control pressure: 2 bar  
 Max. control pressure: 10 bar  
 Duty cycle: 100 %  
 Type: Spool valve, positive overlapping  
 Ambient temperature min./max.: -25 °C ... 50 °C  
 Medium temperature min./max.: -25 °C ... 50 °C  
 Working pressure min./max.: 10 bar



	Compressed air connection	Pilot	Manual override	Compatibility index	Min. ambient temperature [°C]	Max. ambient temperature [°C]	Basic valve equipment	Part No.
	M14x1,5	Internal	with detent	52	-25	50	Basic valve without coil	5776225402
	M14x1,5	External	with detent	52	-25	50	Basic valve without coil	5776235402

Dimensions in mm



- 1) Only with separate pilot control G 1/8
- 2) After removal of cap M 5 internal thread
- 3) Manual override

**5/2-directional valve, Series CD07, double solenoid**

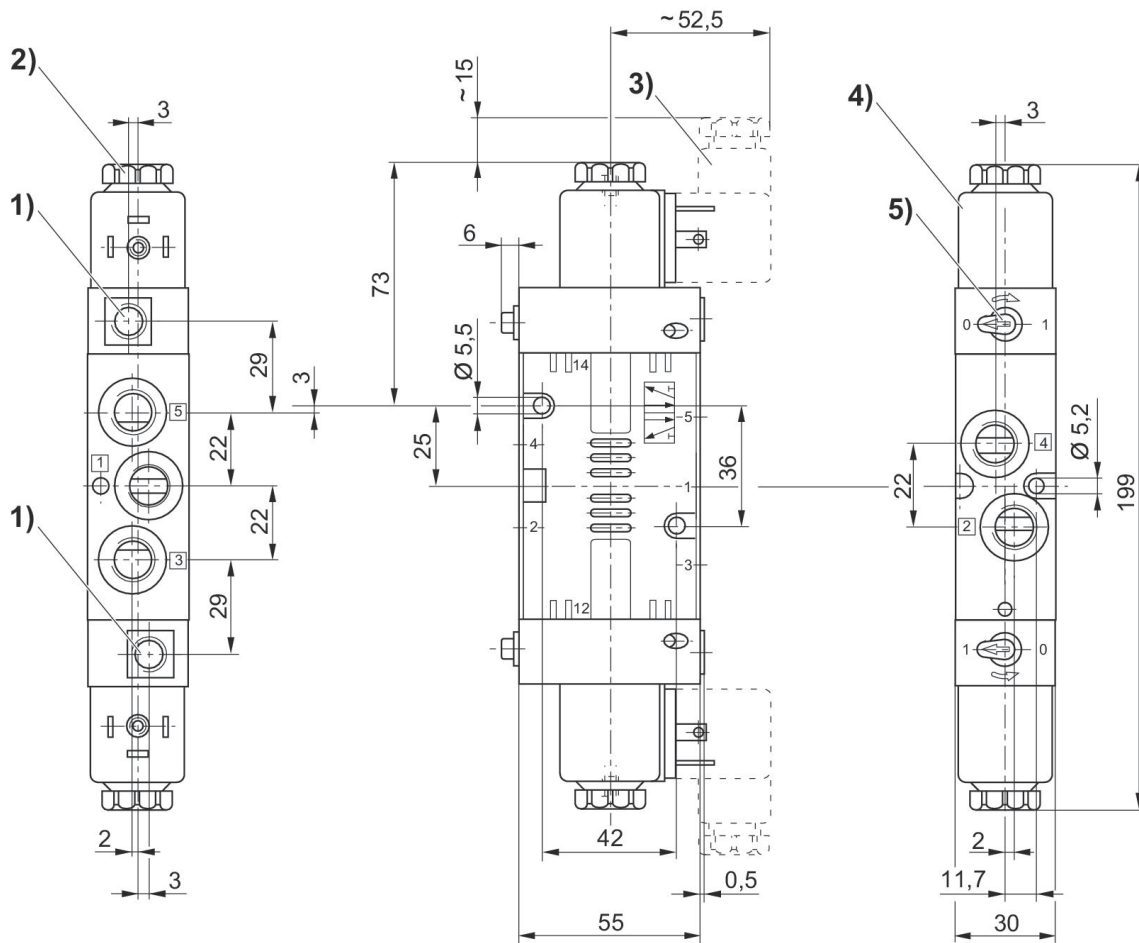
Flow: 1200 l/min  
 Pilot valve width: 30 mm  
 Activation: Electrically operated  
 Actuating control: Double Solenoid  
 Manual override: with detent  
 Coil width: 30 mm  
 Electrical connection 2, thread size: EN 175301-803, form A  
 Qn 1 > 2: 1200 l/min  
 Compressed air connection type: Internal thread  
 Electrical connection 2, number of poles: 3-pin  
 Compressed air connection input: M14x1,5  
 Compressed air connection output: M14x1,5  
 Compressed air connection, exhaust: M14x1,5  
 Min. control pressure: 2 bar  
 Max. control pressure: 10 bar  
 Duty cycle: 100 %  
 Type: Spool valve, positive overlapping  
 Ambient temperature min./max.: -25 °C ... 50 °C  
 Medium temperature min./max.: -25 °C ... 50 °C  
 Working pressure min./max.: 10 bar



	Operational voltage	Operational voltage AC at 50 Hz	Operational voltage AC at 60 Hz	Compressed air connection	Pilot	Manual override	Compatibility index	Part No.
	24 V DC			M14x1,5	Internal	with detent	52	5776220220
		230 V	230 V	M14x1,5	Internal	with detent	52	5776225280
	24 V DC			M14x1,5	External	with detent	52	5776230220
		230 V	230 V	M14x1,5	External	with detent	52	5776235280

Min. ambient temperature [°C]	Max. ambient temperature [°C]	Part No.
-25	50	5776220220
-25	50	5776225280
-25	50	5776230220
-25	50	5776235280

Dimensions in mm



- 1) Only with separate pilot control G 1/8
- 2) After removal of cap M 5 internal thread
- 3) Valve plug connector
- 4) Coil pluggable at 45° intervals
- 5) Manual override

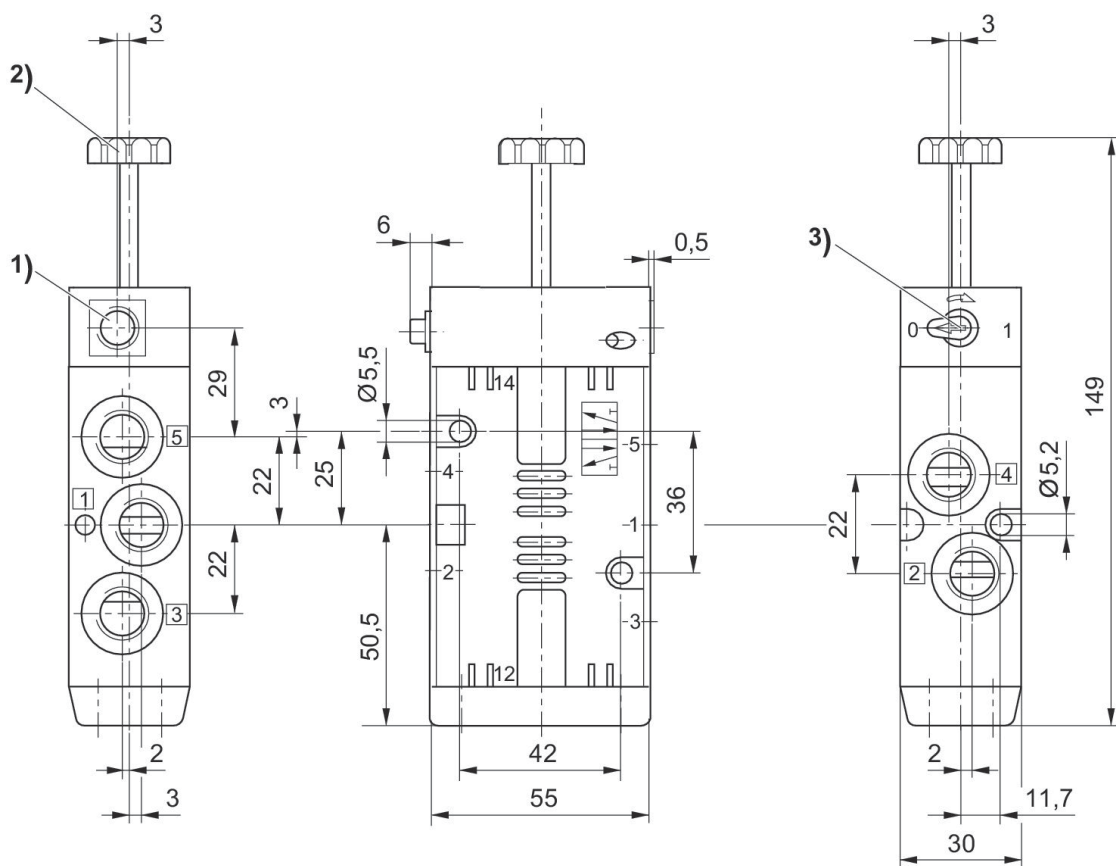
**5/2-directional valve, Series CD07, single solenoid**

Flow: 1200 l/min  
 Pilot valve width: 30 mm  
 Activation: Electrically operated  
 Actuating control: Single Solenoid  
 Manual override: with detent  
 Electrical connection 2, thread size: EN 175301-803, form A  
 Qn 1 > 2: 1200 l/min  
 Compressed air connection type: Internal thread  
 Basic valve equipment: Basic valve without coil  
 Electrical connection 2, number of poles: 3-pin  
 Compressed air connection input: G 1/4  
 Compressed air connection output: G 1/4  
 Compressed air connection, exhaust: G 1/4  
 Min. control pressure: 3 bar  
 Max. control pressure: 10 bar  
 Duty cycle: 100 %  
 Type: Spool valve, positive overlapping  
 Ambient temperature min./max.: -25 °C ... 50 °C  
 Medium temperature min./max.: -25 °C ... 50 °C  
 Working pressure min./max.: 10 bar



	Compressed air connection	Pilot	Manual override	Compatibility index	Min. ambient temperature [°C]	Max. ambient temperature [°C]	Basic valve equipment	Part No.
	G 1/4	Internal	with detent	52	-25	50	Basic valve without coil	5776075402
	G 1/4	External	with detent	52	-25	50	Basic valve without coil	5776085402
	G 1/4	Internal	with detent	52	-40	50	Basic valve without coil	5776965402

Dimensions in mm



- 1) Only with separate pilot control G 1/8
- 2) After removal of cap M 5 internal thread
- 3) Manual override

**5/2-directional valve, Series CD07, single solenoid**

Flow: 1200 l/min  
 Pilot valve width: 30 mm  
 Activation: Electrically operated  
 Actuating control: Single Solenoid  
 Manual override: with detent  
 Electrical connection 2, thread size: EN 175301-803, form A  
 Qn 1 > 2: 1200 l/min  
 Compressed air connection type: Internal thread  
 Electrical connection 2, number of poles: 3-pin  
 Compressed air connection input: G 1/4  
 Compressed air connection output: G 1/4  
 Compressed air connection, exhaust: G 1/4  
 Min. control pressure: 3 bar  
 Max. control pressure: 10 bar  
 Duty cycle: 100 %  
 Type: Spool valve, positive overlapping  
 Working pressure min./max.: 10 bar



	Operational voltage	Operational voltage AC at 50 Hz	Operational voltage AC at 60 Hz	Compressed air connection	Pilot	Manual override	ATEX	Part No.
	24 V DC			G 1/4	Internal	with detent	Free of substances that impair surface wetting in the coating process	5776070220
	230 V AC	230 V	230 V	G 1/4	Internal	with detent		5776075280
	24 V DC			G 1/4	External	with detent	Free of substances that impair surface wetting in the coating process	5776080220
	230 V AC	230 V	230 V	G 1/4	External	with detent		5776085280
	24 V DC			G 1/4	Internal	with detent	ATEX	R412004093
	96 V DC			G 1/4	Internal	with detent		5776070360
	110 V AC	110 V	110 V	G 1/4	External	with detent		5776085270
	24 V DC			G 1/4	Internal	without	Free of substances that impair surface wetting in the coating process	5776980220
	24 V DC			G 1/4	Internal	with detent		5776960220
		230 V	230 V	G 1/4	Internal	with detent		5776965280



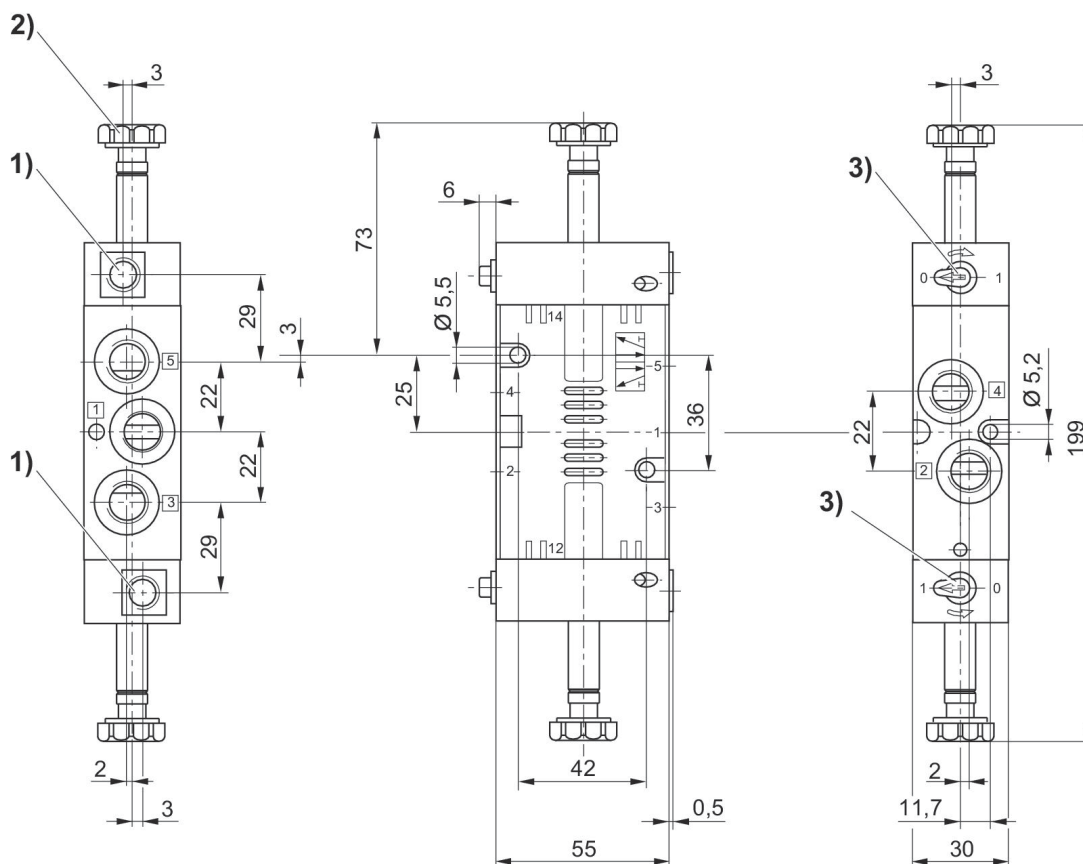
### 5/2-directional valve, Series CD07, double solenoid

Flow: 1200 l/min  
 Pilot valve width: 30 mm  
 Activation: Electrically operated  
 Actuating control: Double Solenoid  
 Manual override: with detent  
 Qn 1 > 2: 1200 l/min  
 Compressed air connection type: Internal thread  
 Basic valve equipment: Basic valve without coil  
 Compressed air connection input: G 1/4  
 Compressed air connection output: G 1/4  
 Compressed air connection, exhaust: G 1/4  
 Min. control pressure: 2 bar  
 Max. control pressure: 10 bar  
 Type: Spool valve, positive overlapping



	Compressed air connection	Pilot	Manual override	Compatibility index	Min. ambient temperature [°C]	Max. ambient temperature [°C]	Basic valve equipment	Part No.
	G 1/4	Internal	with detent	52	-25	50	Basic valve without coil	5776275402
	G 1/4	External	with detent	52	-25	50	Basic valve without coil	5776285402
	G 1/4	Internal	with detent	52	-25	50	Basic valve without coil	5776845402

Dimensions in mm



- 1) Only with separate pilot control G 1/8
- 2) After removal of cap M 5 internal thread
- 3) Manual override

**5/2-directional valve, Series CD07, double solenoid**

Flow: 1200 l/min  
 Pilot valve width: 30 mm  
 Activation: Electrically operated  
 Actuating control: Double Solenoid  
 Manual override: with detent  
 Electrical connection 2, thread size: EN 175301-803, form A  
 Qn 1 > 2: 1200 l/min  
 Compressed air connection type: Internal thread  
 Electrical connection 2, number of poles: 3-pin  
 Compressed air connection input: G 1/4  
 Compressed air connection output: G 1/4  
 Compressed air connection, exhaust: G 1/4  
 Min. control pressure: 2 bar  
 Max. control pressure: 10 bar  
 Duty cycle: 100 %  
 Type: Spool valve, positive overlapping  
 Ambient temperature min./max.: -25 °C ... 50 °C  
 Medium temperature min./max.: -25 °C ... 50 °C  
 Working pressure min./max.: 10 bar

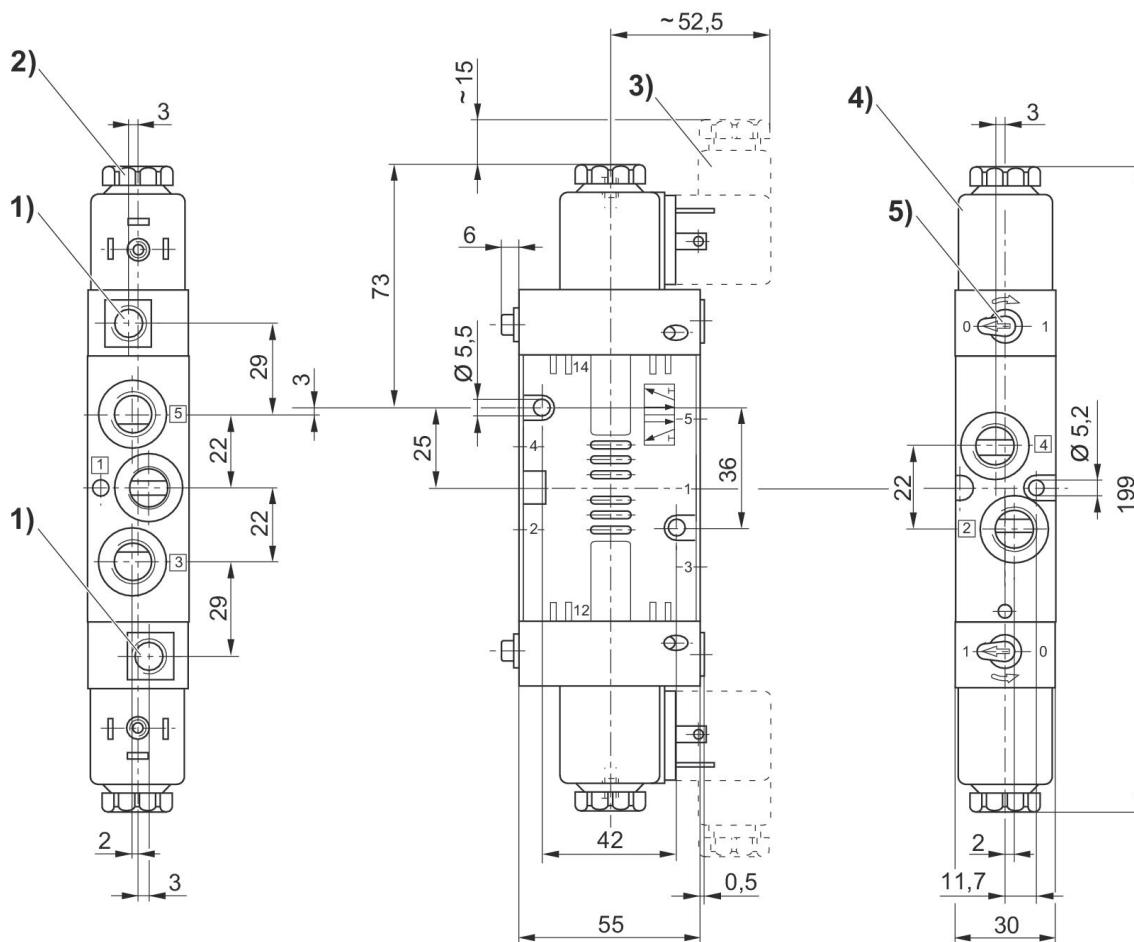


	Operational voltage	Operational voltage AC at 50 Hz	Operational voltage AC at 60 Hz	Compressed air connection	Pilot	Manual override	Compatibility index	Part No.
	24 V DC			G 1/4	Internal	with detent	52	5776840220
		230 V	230 V	G 1/4	Internal	with detent	52	5776845280
	24 V DC			G 1/4	Internal	with detent	52	5776270220
	24 V DC			G 1/4	Internal	with detent	52	5776272220
	110 V AC	110 V	110 V	G 1/4	Internal	with detent	52	5776275270
	230 V AC	230 V	230 V	G 1/4	Internal	with detent	52	5776275280
	24 V AC	24 V	24 V	G 1/4	Internal	with detent	52	5776275220
	24 V DC			G 1/4	External	with detent	52	5776280220
	110 V AC	110 V	110 V	G 1/4	External	with detent	52	5776285270
	230 V AC	230 V	230 V	G 1/4	External	with detent	52	5776285280

Min. ambient temperature [°C]	Max. ambient temperature [°C]	Part No.
-40	50	5776840220
-40	50	5776845280
-25	50	5776270220
-25	50	5776272220
-25	50	5776275270
-25	50	5776275280
-25	50	5776275220

Min. ambient temperature [°C]	Max. ambient temperature [°C]	Part No.
-25	50	5776280220
-25	50	5776285270
-25	50	5776285280

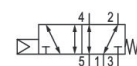
Dimensions in mm



- 1) Only with separate pilot control G 1/8
- 2) After removal of cap M 5 internal thread
- 3) Valve plug connector
- 4) Coil pluggable at 45° intervals
- 5) Manual override

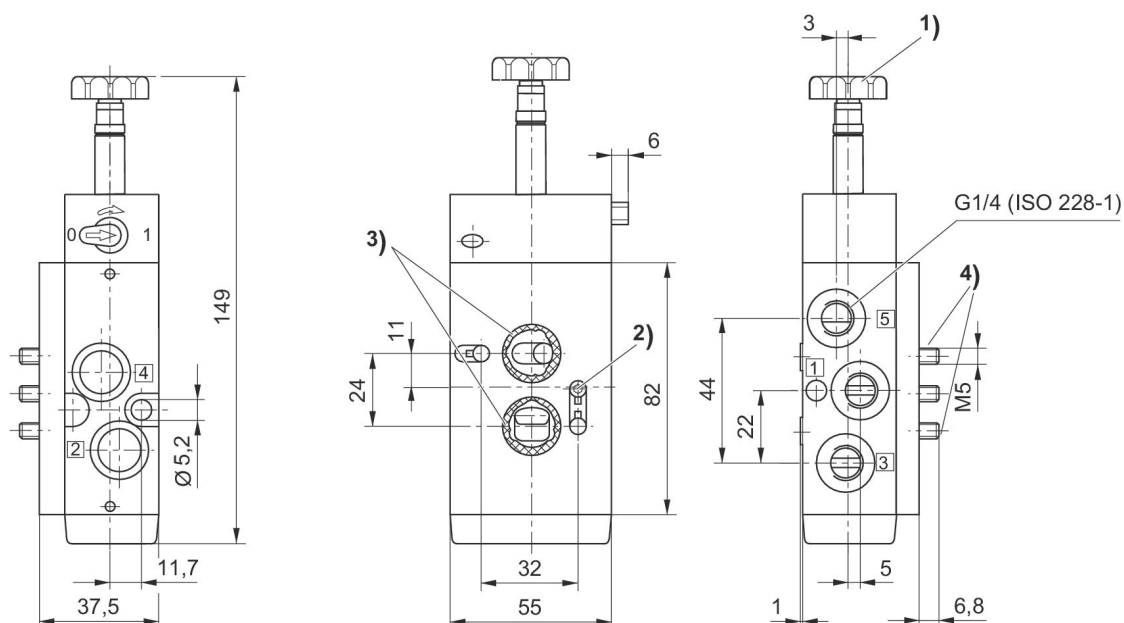
### 5/2-directional valve, Series CD07, single solenoid

Flow: 1200 l/min  
 Pilot valve width: 30 mm  
 Activation: Electrically operated  
 Actuating control: Single Solenoid  
 Manual override: with detent  
 Electrical connection 2, thread size: EN 175301-803, form A  
 Qn 1 > 2: 1200 l/min  
 Compressed air connection type: Base plate connection, Internal thread  
 Basic valve equipment: Basic valve without coil  
 Electrical connection 2, number of poles: 3-pin  
 Compressed air connection input: G 1/4  
 Compressed air connection output: Namur base plate  
 Compressed air connection, exhaust: G 1/4  
 Min. control pressure: 3 bar  
 Max. control pressure: 10 bar  
 Duty cycle: 100 %  
 Type: Spool valve, positive overlapping  
 Ambient temperature min./max.: -25 °C ... 50 °C  
 Medium temperature min./max.: -25 °C ... 50 °C  
 Working pressure min./max.: 3 bar ... 10 bar



Compressed air connection	Pilot	Manual override	Compatibility index	Min. ambient temperature [°C]	Max. ambient temperature [°C]	Basic valve equipment	Part No.
G 1/4	Internal	with detent	52	-25	50	Basic valve without coil	5776605402

Dimensions in mm



- 1) After removal of cap M 5 internal thread
- 2) Threaded pins DIN 914 M5 x 20
- 3) O-ring 16 x 2 (included in scope of delivery)
- 4) cylinder screw M5x40 (included in scope of delivery)

**5/2-directional valve, Series CD07, single solenoid**

Flow: 1200 l/min  
 Pilot valve width: 30 mm  
 Activation: Electrically operated  
 Actuating control: Single Solenoid  
 Manual override: with detent  
 Electrical connection 2, thread size: EN 175301-803, form A  
 Qn 1 > 2: 1200 l/min  
 Compressed air connection type: Base plate connection, Internal thread  
 Electrical connection 2, number of poles: 3-pin  
 Compressed air connection input: G 1/4  
 Compressed air connection output: Namur base plate  
 Compressed air connection, exhaust: G 1/4  
 Min. control pressure: 3 bar  
 Max. control pressure: 10 bar  
 Duty cycle: 100 %  
 Type: Spool valve, positive overlapping  
 Ambient temperature min./max.: -25 °C ... 50 °C  
 Medium temperature min./max.: -25 °C ... 50 °C  
 Working pressure min./max.: 3 bar ... 10 bar



	Operational voltage	Operational voltage AC at 50 Hz	Operational voltage AC at 60 Hz	Compressed air connection	Pilot	Manual override	Compatibility index	Part No.
	24 V DC			G 1/4	Internal	with detent	52	5776600220
		230 V	230 V	G 1/4	Internal	with detent	52	5776605280

Min. ambient temperature [°C]	Max. ambient temperature [°C]	Part No.
-25	50	5776600220
-25	50	5776605280



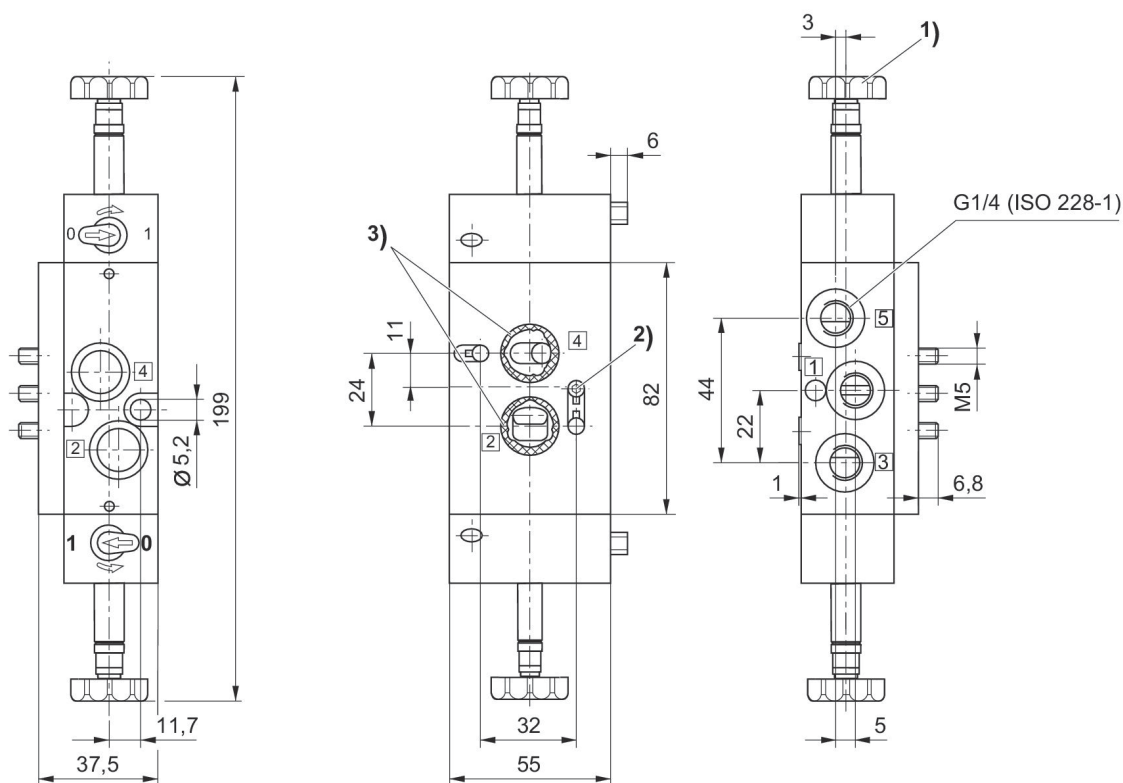
### 5/2-directional valve, Series CD07, double solenoid

Flow: 1200 l/min  
 Pilot valve width: 30 mm  
 Activation: Electrically operated  
 Actuating control: Double Solenoid  
 Manual override: with detent  
 Electrical connection 2, thread size: EN 175301-803, form A  
 Qn 1 > 2: 1200 l/min  
 Compressed air connection type: Base plate connection, Internal thread  
 Basic valve equipment: Basic valve without coil  
 Electrical connection 2, number of poles: 3-pin  
 Compressed air connection input: G 1/4  
 Compressed air connection output: Namur base plate  
 Compressed air connection, exhaust: G 1/4  
 Min. control pressure: 2 bar  
 Max. control pressure: 10 bar  
 Duty cycle: 100 %  
 Type: Spool valve, positive overlapping  
 Ambient temperature min./max.: -25 °C ... 50 °C  
 Medium temperature min./max.: -25 °C ... 50 °C  
 Working pressure min./max.: 2 bar ... 10 bar



Compressed air connection	Pilot	Manual override	Compatibility index	Min. ambient temperature [°C]	Max. ambient temperature [°C]	Basic valve equipment	Part No.
G 1/4	Internal	with detent	52	-25	50	Basic valve without coil	5776625402

Dimensions in mm



- 1) After removal of cap M 5 internal thread
- 2) Threaded pins DIN 914 M5 x 20
- 3) O-ring 16 x 2 (included in scope of delivery)
- 4) cylinder screw M5x40 (included in scope of delivery)

**5/2-directional valve, Series CD07, double solenoid**

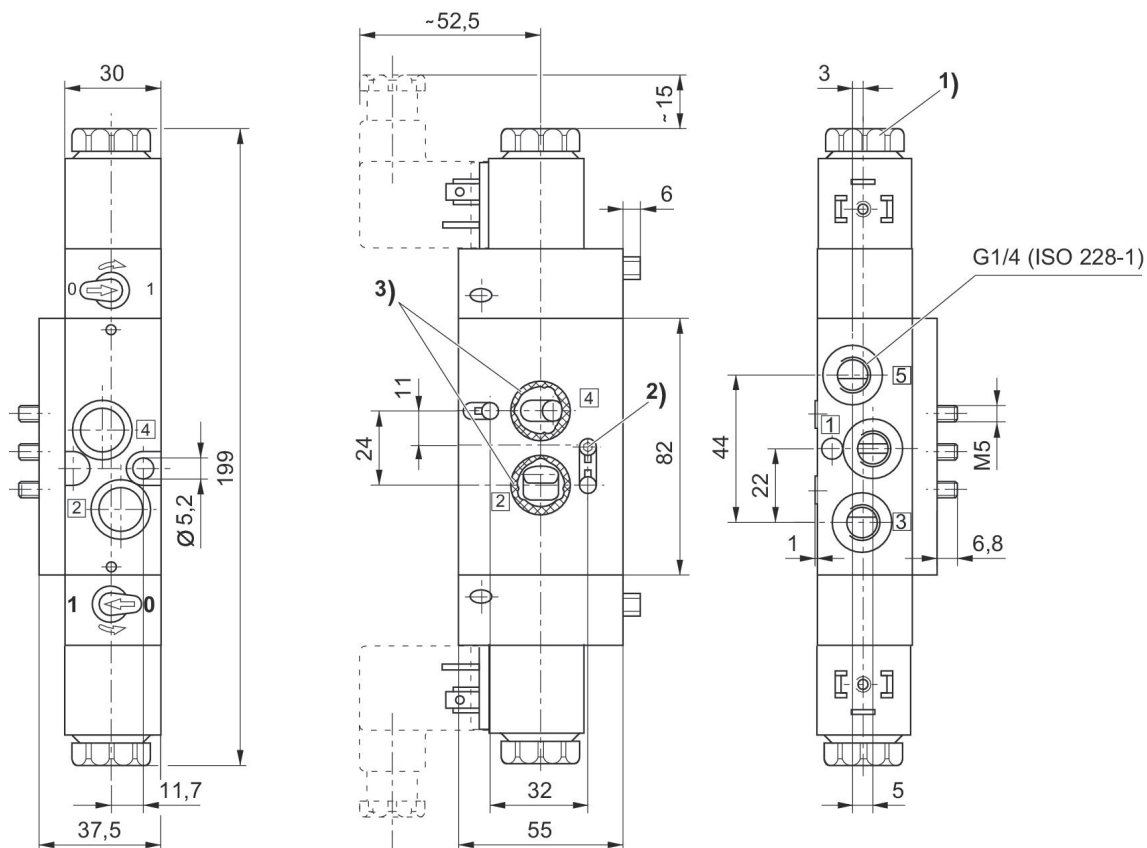
Flow: 1200 l/min  
 Pilot valve width: 30 mm  
 Activation: Electrically operated  
 Actuating control: Double Solenoid  
 Manual override: with detent  
 Electrical connection 2, thread size: EN 175301-803, form A  
 Qn 1 > 2: 1200 l/min  
 Compressed air connection type: Base plate connection, Internal thread  
 Electrical connection 2, number of poles: 3-pin  
 Compressed air connection input: G 1/4  
 Compressed air connection output: Namur base plate  
 Compressed air connection, exhaust: G 1/4  
 Min. control pressure: 2 bar  
 Max. control pressure: 10 bar  
 Duty cycle: 100 %  
 Type: Spool valve, positive overlapping  
 Ambient temperature min./max.: -25 °C ... 50 °C  
 Medium temperature min./max.: -25 °C ... 50 °C  
 Working pressure min./max.: 2 bar ... 10 bar



	Operational voltage	Operational voltage AC at 50 Hz	Operational voltage AC at 60 Hz	Compressed air connection	Pilot	Manual override	Compatibility index	Part No.
	24 V DC			G 1/4	Internal	with detent	52	5776620220
		230 V	230 V	G 1/4	Internal	with detent	52	5776625280

Min. ambient temperature [°C]	Max. ambient temperature [°C]	Part No.
-25	50	5776620220
-25	50	5776625280

Dimensions in mm



- 1) After removal of cap M 5 internal thread
- 2) Threaded pins DIN 914 M5 x 20
- 3) O-ring 16 x 2 (included in scope of delivery)
- 4) cylinder screw M5x40 (included in scope of delivery)

### 5/3-directional valve, Series CD07

Flow: 900 l/min  
 Pilot valve width: 30 mm  
 Activation: Electrically operated  
 Actuating control: Double Solenoid  
 Manual override: with detent  
 Electrical connection 2, thread size: EN 175301-803, form A  
 Qn 1 > 2: 900 l/min  
 Compressed air connection type: Internal thread  
 Basic valve equipment: Basic valve without coil  
 Electrical connection 2, number of poles: 3-pin  
 Compressed air connection input: G 1/4  
 Compressed air connection output: G 1/4  
 Compressed air connection, exhaust: G 1/4  
 Min. control pressure: 3 bar  
 Max. control pressure: 10 bar  
 Duty cycle: 100 %  
 Type: Spool valve, positive overlapping  
 Medium temperature min./max.: 0 °C ... 50 °C  
 Working pressure min./max.: 10 bar



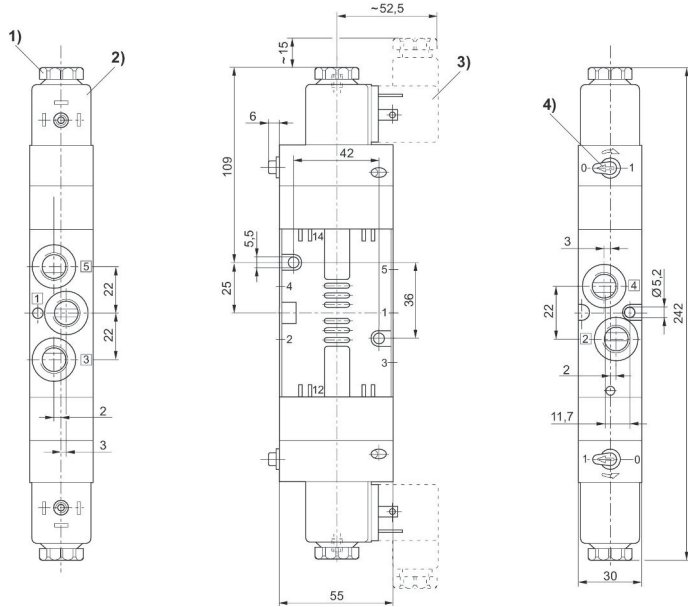
	Compressed air connection	Function	Pilot	Manual override	Compatibility index	Min. ambient temperature [°C]	Max. ambient temperature [°C]	Part No.
	G 1/4	Pressurized Center	Internal	with detent	52	-25	50	5777705402
	G 1/4	Exhausted Center	Internal	with detent	52	-25	50	5777715402
	G 1/4	Closed Center	Internal	with detent	52	-25	50	5777725402
	G 1/4	Pressurized Center	Internal	with detent	52	0	50	5777755402
	G 1/4	Exhausted Center	Internal	with detent	52	0	50	5777765402
	G 1/4	Closed Center	Internal	with detent	52	-25	50	5777775402
	G 1/4	Exhausted Center	External	with detent	52	0	50	5777945402
	G 1/4	Closed Center	External	with detent	52	0	50	5777955402

Basic valve equipment	Part No.
Basic valve without coil	5777705402
Basic valve without coil	5777715402
Basic valve without coil	5777725402
Basic valve without coil	5777755402
Basic valve without coil	5777765402
Basic valve without coil	5777775402
Basic valve without coil	5777945402

Basic valve equipment	Part No.
Basic valve without coil	5777955402

**5777705402, 5777715402, 5777725402, 5777775402**

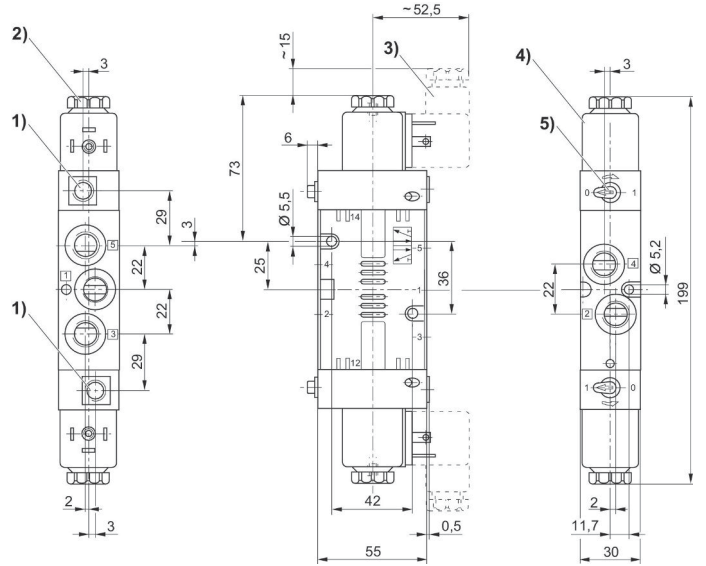
Dimensions in mm



- 1) After removal of cap M 5 internal thread
- 2) Coil pluggable at 45° intervals
- 3) Valve plug connector
- 4) Manual override

**5777755402, 5777765402, 5777945402, 5777955402**

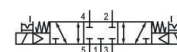
Dimensions in mm



- 1) Only with separate pilot control G 1/8
- 2) After removal of cap M 5 internal thread
- 3) Valve plug connector
- 4) Coil pluggable at 45° intervals
- 5) Manual override

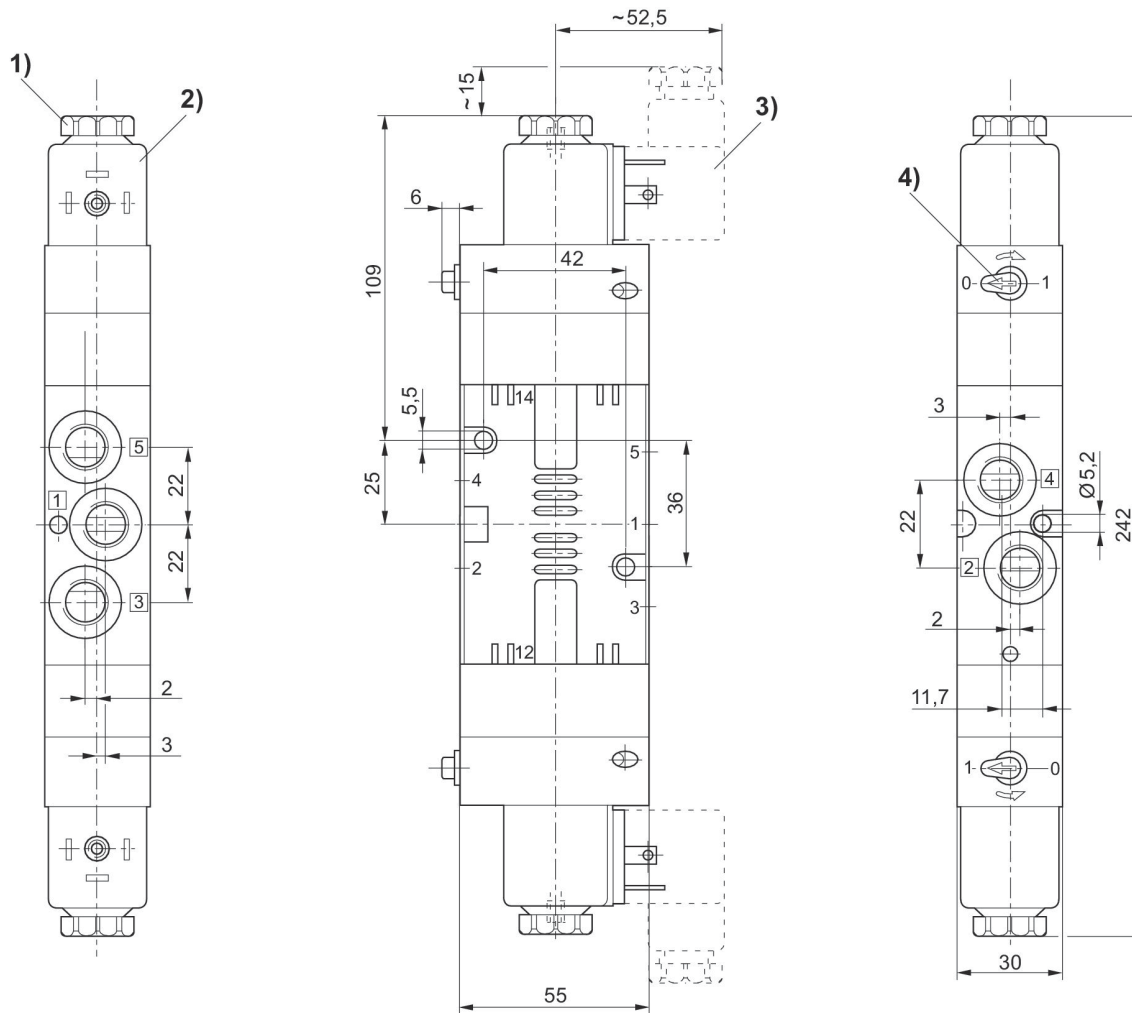
**5/3-directional valve, Series CD07**

Flow: 900 l/min  
 Pilot valve width: 30 mm  
 Activation: Electrically operated  
 Actuating control: Double Solenoid  
 Manual override: with detent  
 Electrical connection 2, thread size: EN 175301-803, form A  
 Qn 1 > 2: 900 l/min  
 Compressed air connection type: Internal thread  
 Electrical connection 2, number of poles: 3-pin  
 Compressed air connection input: M14x1,5  
 Compressed air connection output: M14x1,5  
 Compressed air connection, exhaust: M14x1,5  
 Min. control pressure: 3.5 bar  
 Max. control pressure: 10 bar  
 Duty cycle: 100 %  
 Type: Spool valve, positive overlapping  
 Ambient temperature min./max.: -30 °C ... 70 °C  
 Medium temperature min./max.: -30 °C ... 70 °C  
 Working pressure min./max.: 10 bar



Operational voltage	Compressed air connection	Function	Pilot	Manual override	Compatibility index	Min. ambient temperature [°C]	Max. ambient temperature [°C]	Part No.
110 V DC	M14x1,5	Closed Center	Internal	with detent	52	-30	70	5776920270

Dimensions in mm



- 1) After removal of cap M 5 internal thread
- 2) Coil pluggable at 45° intervals
- 3) Valve plug connector
- 4) Manual override

**5/3-directional valve, Series CD07**

Flow: 900 l/min  
 Pilot valve width: 30 mm  
 Activation: Electrically operated  
 Actuating control: Double Solenoid  
 Manual override: with detent  
 Electrical connection 2, thread size: EN 175301-803, form A  
 Qn 1 > 2: 900 l/min  
 Compressed air connection type: Internal thread  
 Electrical connection 2, number of poles: 3-pin  
 Compressed air connection input: G 1/4  
 Compressed air connection output: G 1/4  
 Compressed air connection, exhaust: G 1/4  
 Min. control pressure: 3 bar  
 Max. control pressure: 10 bar  
 Duty cycle: 100 %  
 Type: Spool valve, positive overlapping  
 Medium temperature min./max.: 0 °C ... 50 °C  
 Working pressure min./max.: 10 bar

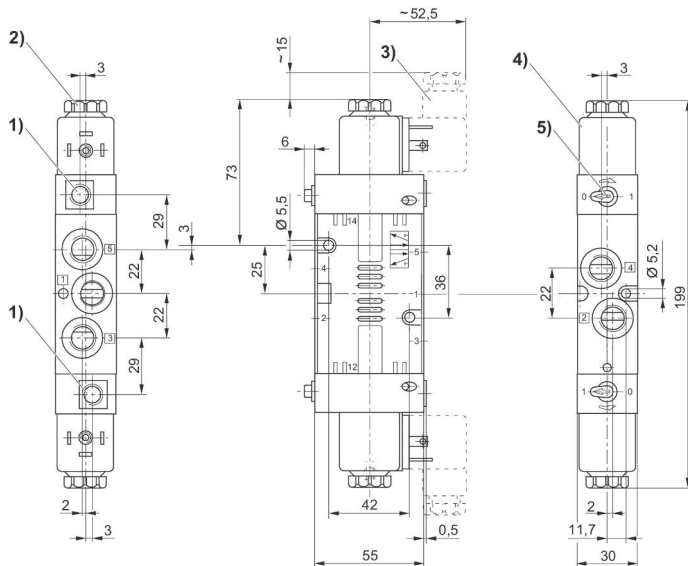


	Operational voltage	Operational voltage AC at 50 Hz	Operational voltage AC at 60 Hz	Compressed air connection	Function	Pilot	Manual override	Part No.
	24 V DC			G 1/4	Closed Center	Internal	with detent	577770220
		110 V	110 V	G 1/4	Closed Center	Internal	with detent	577775270
		230 V	230 V	G 1/4	Closed Center	Internal	with detent	577775280
	24 V AC	24 V	24 V	G 1/4	Closed Center	Internal	with detent	577775220
	24 V DC			G 1/4	Closed Center	Internal	with detent	5777720220
		230 V	230 V	G 1/4	Closed Center	Internal	with detent	5777725280
	24 V DC			G 1/4	Closed Center	External	with detent	R412003424
	230 V AC	230 V	230 V	G 1/4	Closed Center	External	with detent	577795280
	24 V DC			G 1/4	Exhausted Center	Internal	with detent	5777760220
		110 V	110 V	G 1/4	Exhausted Center	Internal	with detent	5777765270
		230 V	230 V	G 1/4	Exhausted Center	Internal	with detent	5777765280
	24 V DC			G 1/4	Exhausted Center	Internal	with detent	5777710220
		230 V	230 V	G 1/4	Exhausted Center	Internal	with detent	5777715280
	24 V DC			G 1/4	Pressurized Center	Internal	with detent	5777750220
		230 V	230 V	G 1/4	Pressurized Center	Internal	with detent	5777755280
	24 V DC			G 1/4	Pressurized Center	Internal	with detent	5777700220

Compatibil-ity index	Min. ambient temperature [°C]	Max. ambient temperature [°C]	Part No.
52	-25	50	577770220
52	-25	50	577775270
52	-25	50	577775280
52	-25	50	577775220
52	-25	50	5777720220
52	-25	50	5777725280
52	0	50	R412003424
52	0	50	5777955280
52	0	50	5777760220
52	0	50	5777765270
52	0	50	5777765280
52	-25	50	5777710220
52	-25	50	5777715280
52	0	50	5777750220
52	0	50	5777755280
52	-25	50	5777700220

**577770220, 577775270, 577775280, 577775220, R412003424, 5777955280, 5777760220, 5777765270, 5777765280, 5777750220, 5777755280**

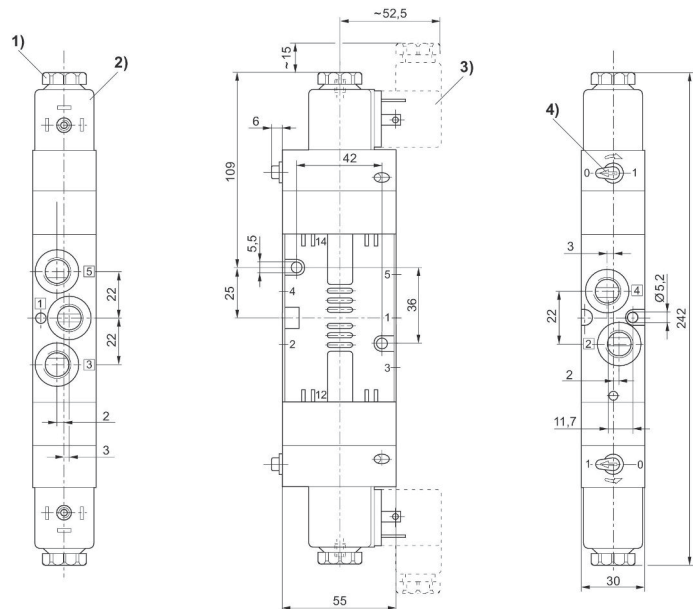
Dimensions in mm



- 1) Only with separate pilot control G 1/8
- 2) After removal of cap M 5 internal thread
- 3) Valve plug connector
- 4) Coil pluggable at 45° intervals
- 5) Manual override

**5777720220, 5777725280, 5777710220, 5777715280, 5777700220**

Dimensions in mm



- 1) After removal of cap M 5 internal thread
- 2) Coil pluggable at 45° intervals
- 3) Valve plug connector
- 4) Manual override

### 5/2-directional valve, Series CD07, single solenoid

Flow: 1200 l/min  
 Activation: Electrically operated  
 Manual override: with detent  
 Coil width: 30 mm  
 Electrical connection 2, thread size: EN 175301-803, form A  
 Qn 1 > 2: 1200 l/min  
 Compressed air connection type: Internal thread  
 Electrical connection 2, number of poles: 3-pin  
 Compressed air connection input: 1/4 NPT  
 Compressed air connection output: 1/4 NPT  
 Compressed air connection, exhaust: 1/4 NPT  
 Min. control pressure: 3 bar  
 Max. control pressure: 10 bar  
 Duty cycle: 100 %  
 Type: Spool valve, positive overlapping  
 Ambient temperature min./max.: -15 °C ... 50 °C  
 Medium temperature min./max.: -15 °C ... 50 °C  
 Working pressure min./max.: 3 bar ... 10 bar

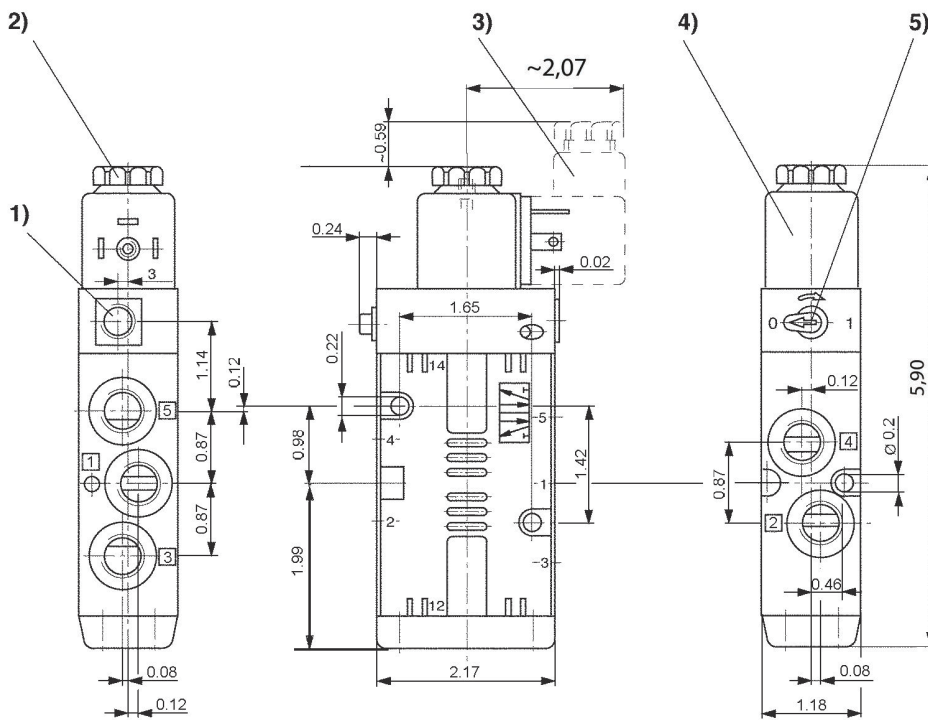


	Operational voltage	Operational voltage AC at 50 Hz	Operational voltage AC at 60 Hz	Compressed air connection	Pilot	Manual override	Compatibility index	Part No.
	12 V DC			1/4 NPT	Internal	with detent	52	R432016585
	24 V DC			1/4 NPT	Internal	with detent	52	R432016584
	110 V AC	110 V	110 V	1/4 NPT	Internal	with detent	52	R432016582
	230 V AC	230 V	230 V	1/4 NPT	Internal	with detent	52	R432016583
	24 V AC	24 V	24 V	1/4 NPT	Internal	with detent	52	R432016586
	12 V DC			1/4 NPT	External	with detent	52	R432016615
	24 V DC			1/4 NPT	External	with detent	52	R432016613
	110 V AC	110 V	110 V	1/4 NPT	External	with detent	52	R432016605
	230 V AC	230 V	230 V	1/4 NPT	External	with detent	52	R432016609
	24 V AC	24 V	24 V	1/4 NPT	External	with detent	52	R432016618

Min. ambient temperature [°C]	Max. ambient temperature [°C]	Part No.
-15	50	R432016585
-15	50	R432016584
-15	50	R432016582
-15	50	R432016583
-15	50	R432016586

Min. ambient temperature [°C]	Max. ambient temperature [°C]	Part No.
-15	50	R432016615
-15	50	R432016613
-15	50	R432016605
-15	50	R432016609
-15	50	R432016618

Dimensions in inches



- 1) Only with separate pilot control G 1/8 2) After removal of cap M5 internal thread 3) Valve plug connector
- 4) Coil can be plugged at 45° intervals 5) Manual override

**5/2-directional valve, Series CD07, single solenoid**

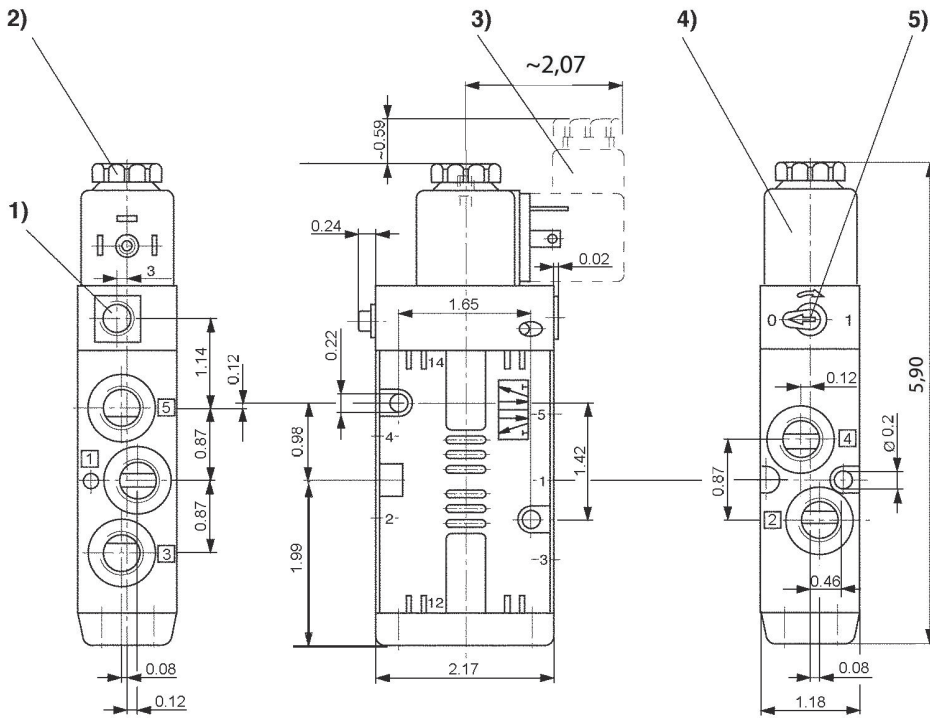
Flow: 1200 l/min  
 Activation: Electrically operated  
 Manual override: with detent  
 Coil width: 30 mm  
 Electrical connection 2, thread size: EN 175301-803, form A  
 Qn 1 > 2: 1200 l/min  
 Compressed air connection type: Internal thread  
 Electrical connection 2, number of poles: 3-pin  
 Compressed air connection input: 1/4 NPT  
 Compressed air connection output: 1/4 NPT  
 Compressed air connection, exhaust: 1/4 NPT  
 Min. control pressure: 3 bar  
 Max. control pressure: 10 bar  
 Duty cycle: 100 %  
 Type: Spool valve, positive overlapping  
 Ambient temperature min./max.: -15 °C ... 50 °C  
 Medium temperature min./max.: -15 °C ... 50 °C  
 Working pressure min./max.: 3 bar ... 10 bar



	Operational voltage	Operational voltage AC at 50 Hz	Operational voltage AC at 60 Hz	Compressed air connection	Pilot	Manual override	Compatibility index	Part No.
	110 V AC	110 V	110 V	1/4 NPT	Internal	with detent	52	R432032544
	230 V AC	230 V	230 V	1/4 NPT	Internal	with detent	52	R432032545
	24 V DC			1/4 NPT	Internal	with detent	52	R432039170

Min. ambient temperature [°C]	Max. ambient temperature [°C]	Part No.
-15	50	R432032544
-15	50	R432032545
-15	50	R432039170

Dimensions in inches



- 1) Only with separate pilot control G 1/8
- 2) After removal of cap M5 internal thread
- 3) Valve plug connector
- 4) Coil can be plugged at 45° intervals
- 5) Manual override

**5/2-directional valve, Series CD07, double solenoid**

Flow: 1200 l/min  
 Activation: Electrically operated  
 Actuating control: Double Solenoid  
 Manual override: with detent  
 Electrical connection 2, thread size: EN 175301-803, form A  
 Qn 1 > 2: 1200 l/min  
 Compressed air connection type: Internal thread  
 Electrical connection 2, number of poles: 3-pin  
 Compressed air connection input: 1/4 NPT  
 Compressed air connection output: 1/4 NPT  
 Compressed air connection, exhaust: 1/4 NPT  
 Min. control pressure: 1.5 bar  
 Max. control pressure: 10 bar  
 Duty cycle: 100 %  
 Type: Spool valve, positive overlapping  
 Ambient temperature min./max.: -15 °C ... 50 °C  
 Medium temperature min./max.: -15 °C ... 50 °C  
 Working pressure min./max.: 2 bar ... 10 bar



	Operational voltage	Operational voltage AC at 50 Hz	Operational voltage AC at 60 Hz	Compressed air connection	Pilot	Manual override	Compatibility index	Part No.
	110 V AC	110 V	110 V	1/4 NPT	Internal	with detent	52	R432016587
	230 V AC	230 V	230 V	1/4 NPT	Internal	with detent	52	R432016589
	12 V DC			1/4 NPT	Internal	with detent	52	R432016593
	24 V DC			1/4 NPT	Internal	with detent	52	R432016591
	24 V AC	24 V	24 V	1/4 NPT	Internal	with detent	52	R432016595
	12 V DC			1/4 NPT	External	with detent	52	R432016616
	110 V AC	110 V	110 V	1/4 NPT	External	with detent	52	R432016604
	230 V AC	230 V	230 V	1/4 NPT	External	with detent	52	R432016608

Min. ambient temperature [°C]	Max. ambient temperature [°C]	Part No.
-15	50	R432016587
-15	50	R432016589
-15	50	R432016593
-15	50	R432016591
-15	50	R432016595
-15	50	R432016616
-15	50	R432016604
-15	50	R432016608



**5/2-directional valve, Series CD07, double solenoid**

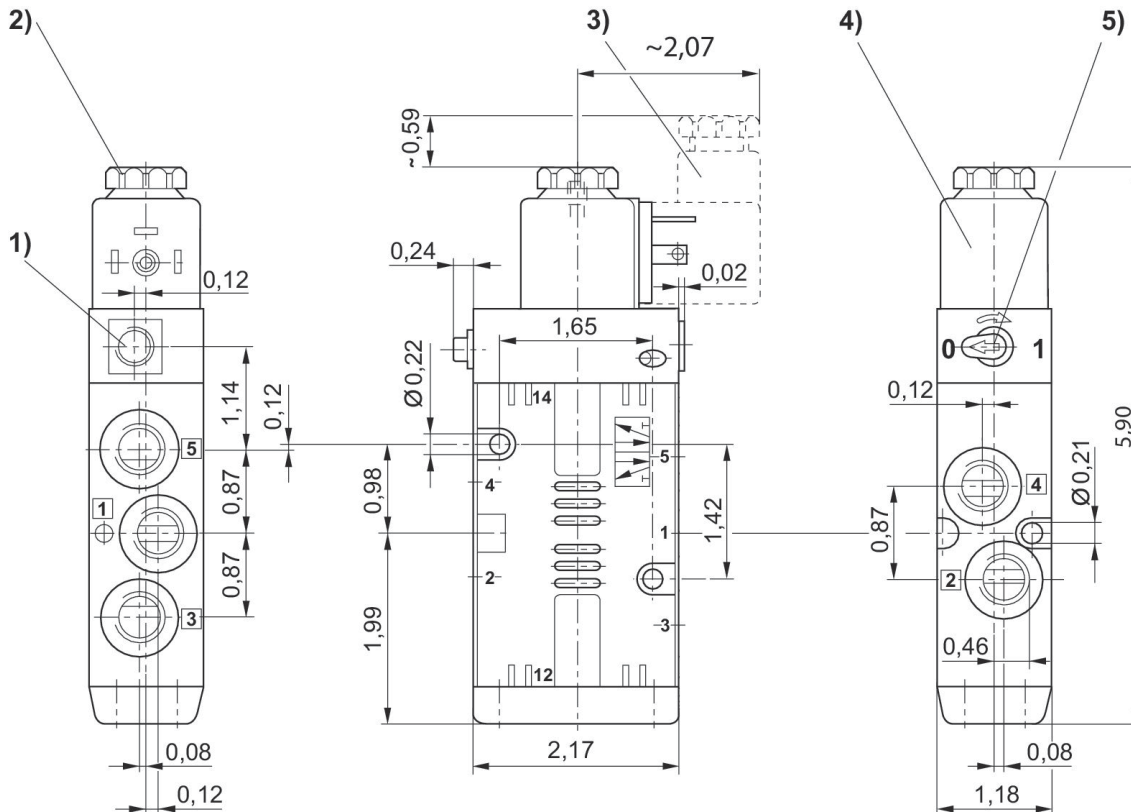
Flow: 1200 l/min  
 Activation: Electrically operated  
 Actuating control: Double Solenoid  
 Manual override: with detent  
 Electrical connection 2, thread size: EN 175301-803, form A  
 Qn 1 > 2: 1200 l/min  
 Compressed air connection type: Internal thread  
 Compressed air connection input: 1/4 NPT  
 Compressed air connection output: 1/4 NPT  
 Compressed air connection, exhaust: 1/4 NPT  
 Min. control pressure: 2 bar  
 Max. control pressure: 10 bar  
 Duty cycle: 100 %  
 Type: Spool valve, positive overlapping  
 Ambient temperature min./max.: -15 °C ... 50 °C  
 Medium temperature min./max.: -15 °C ... 50 °C  
 Working pressure min./max.: 2 bar ... 10 bar



	Operational voltage	Operational voltage AC at 50 Hz	Operational voltage AC at 60 Hz	Compressed air connection	Pilot	Manual override	Compatibility index	Part No.
	110 V AC	110 V	110 V	1/4 NPT	Internal	with detent	52	R432032546

Min. ambient temperature [°C]	Max. ambient temperature [°C]	Part No.
-15	50	R432032546

Dimensions in inches



- 1) Only with separate pilot control G 1/8 2) After removal of cap M5 internal thread 3) Valve plug connector
- 4) Coil can be plugged at 45° intervals 5) Manual override

### 5/3-directional valve, Series CD07

Flow: 900 l/min  
 Activation: Electrically operated  
 Manual override: with detent  
 Electrical connection 2, thread size: EN 175301-803, form A  
 $Q_n 1 > 2$ : 900 l/min  
 Compressed air connection type: Internal thread  
 Electrical connection 2, number of poles: 3-pin  
 Compressed air connection input: 1/4 NPT  
 Compressed air connection output: 1/4 NPT  
 Compressed air connection, exhaust: 1/4 NPT  
 Min. control pressure: 3 bar  
 Max. control pressure: 10 bar  
 Duty cycle: 100 %  
 Type: Spool valve, positive overlapping  
 Ambient temperature min./max.: -15 °C ... 50 °C  
 Medium temperature min./max.: -15 °C ... 50 °C  
 Working pressure min./max.: 3 bar ... 10 bar

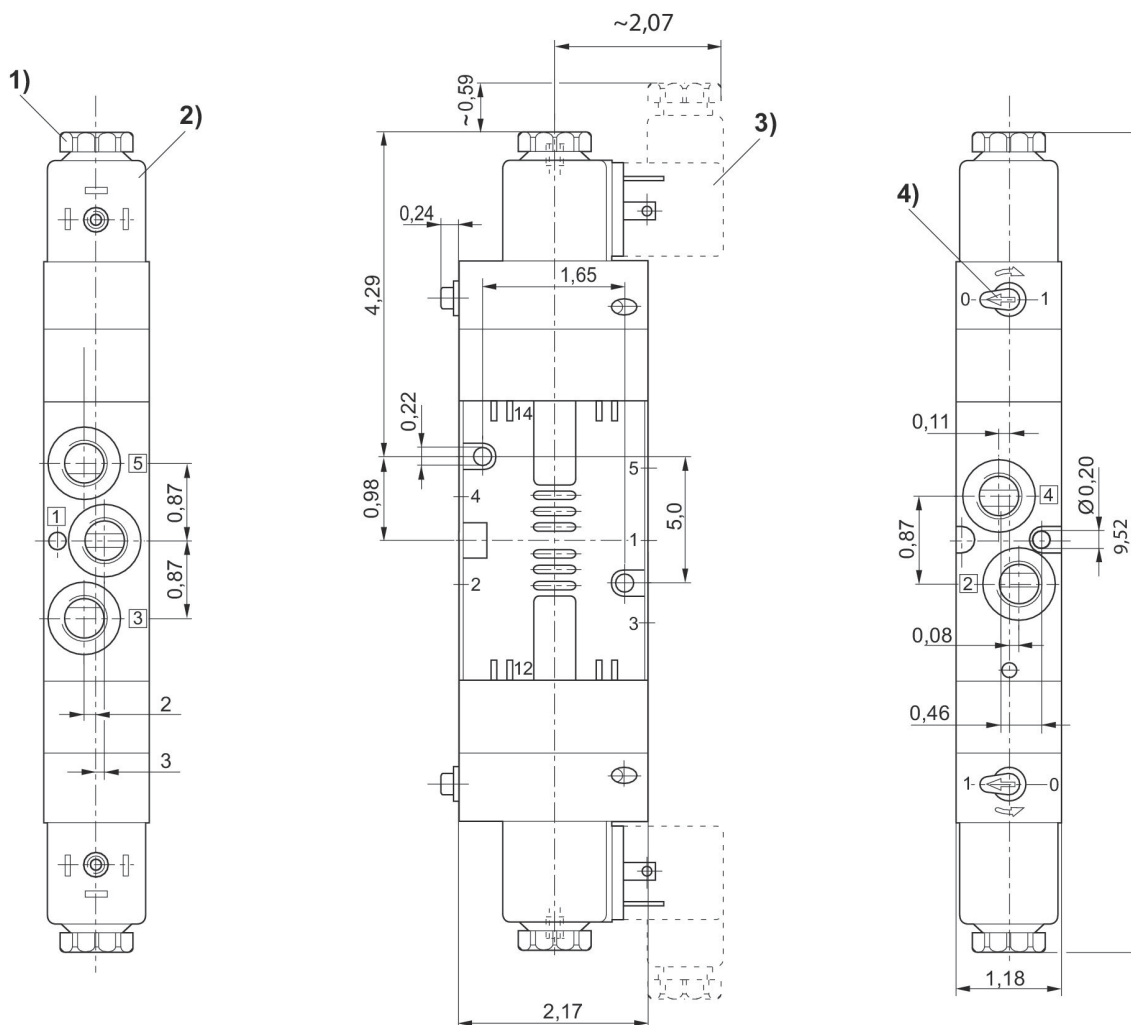


	Operational voltage	Operational voltage AC at 50 Hz	Operational voltage AC at 60 Hz	Compressed air connection	Function	Pilot	Manual override	Part No.
	12 V DC			1/4 NPT	Closed Center	Internal	with detent	R432016594
	24 V DC			1/4 NPT	Closed Center	Internal	with detent	R432016592
	110 V AC	110 V	110 V	1/4 NPT	Closed Center	Internal	with detent	R432016588
	230 V AC	230 V	230 V	1/4 NPT	Closed Center	Internal	with detent	R432016590
	24 V AC	24 V	24 V	1/4 NPT	Closed Center	Internal	with detent	R432016596
	12 V DC			1/4 NPT	Pressurized Center	Internal	with detent	R432030384
	24 V DC			1/4 NPT	Pressurized Center	Internal	with detent	R432016602
	110 V AC	110 V	110 V	1/4 NPT	Pressurized Center	Internal	with detent	R432016601
	24 V AC	24 V	24 V	1/4 NPT	Pressurized Center	Internal	with detent	R432016603
	12 V DC			1/4 NPT	Exhausted Center	Internal	with detent	R432016599
	24 V DC			1/4 NPT	Exhausted Center	Internal	with detent	R432016598
	110 V AC	110 V	110 V	1/4 NPT	Exhausted Center	Internal	with detent	R432016597
	24 V AC	24 V	24 V	1/4 NPT	Exhausted Center	Internal	with detent	R432016600

Compatil-ity index	Min. ambient temperature [°C]	Max. ambient temperature [°C]	Part No.
52	-15	50	R432016594
52	-15	50	R432016592
52	-15	50	R432016588
52	-15	50	R432016590

Compatibil-ity index	Min. ambient temperature [°C]	Max. ambient temperature [°C]	Part No.
52	-15	50	R432016596
52	-15	50	R432030384
52	-15	50	R432016602
52	-15	50	R432016601
52	-15	50	R432016603
52	-15	50	R432016599
52	-15	50	R432016598
52	-15	50	R432016597
52	-15	50	R432016600

Dimensions in inches



- 1) After removal of cap M5 internal thread
- 2) Coil can be plugged at 45° intervals
- 3) Valve plug connector
- 4) Manual override

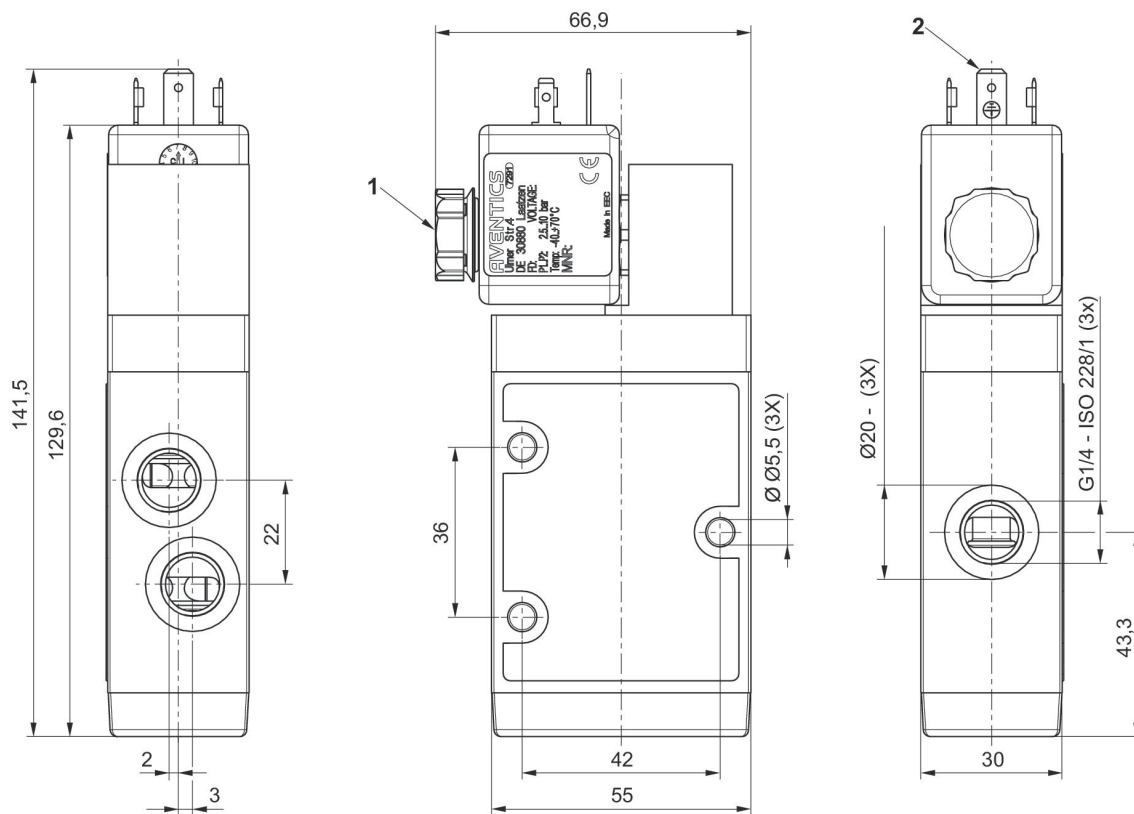
### 3/2-directional valve, Series CD07-LT, single solenoid

Flow: 1200 l/min  
 Pilot valve width: 30 mm  
 Activation: Electrically operated  
 Actuating control: Single Solenoid  
 Manual override: with detent  
 Electrical connection 2, thread size: EN 175301-803, form A  
 Qn 1 > 2: 1200 l/min  
 Compressed air connection type: Internal thread  
 Electrical connection 2, number of poles: 3-pin  
 Compressed air connection input: G 1/4  
 Compressed air connection output: G 1/4  
 Compressed air connection, exhaust: G 1/4  
 Min. control pressure: 3 bar  
 Max. control pressure: 10 bar  
 Duty cycle: 100 %  
 Type: Spool valve, positive overlapping  
 Ambient temperature min./max.: -40 °C ... 70 °C  
 Medium temperature min./max.: -40 °C ... 70 °C  
 Working pressure min./max.: 3 bar ... 10 bar



	Operational voltage	Compressed air connection	Function	Pilot	Manual override	Min. ambient temperature [°C]	Max. ambient temperature [°C]	Part No.
	24 V DC	G 1/4	NC	Internal	with detent	-40	70	R414012384
	110 V DC	G 1/4	NC	Internal	with detent	-40	70	R414012361
	110 V DC	G 1/4	NC	Internal	without	-40	70	R414011829
	24 V DC	G 1/4	NC	Internal	without	-40	70	R414011447

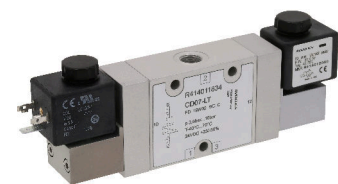
Dimensions in mm



- 1) Silencer
- 2) Valve plug connector form A, EN 175301-803

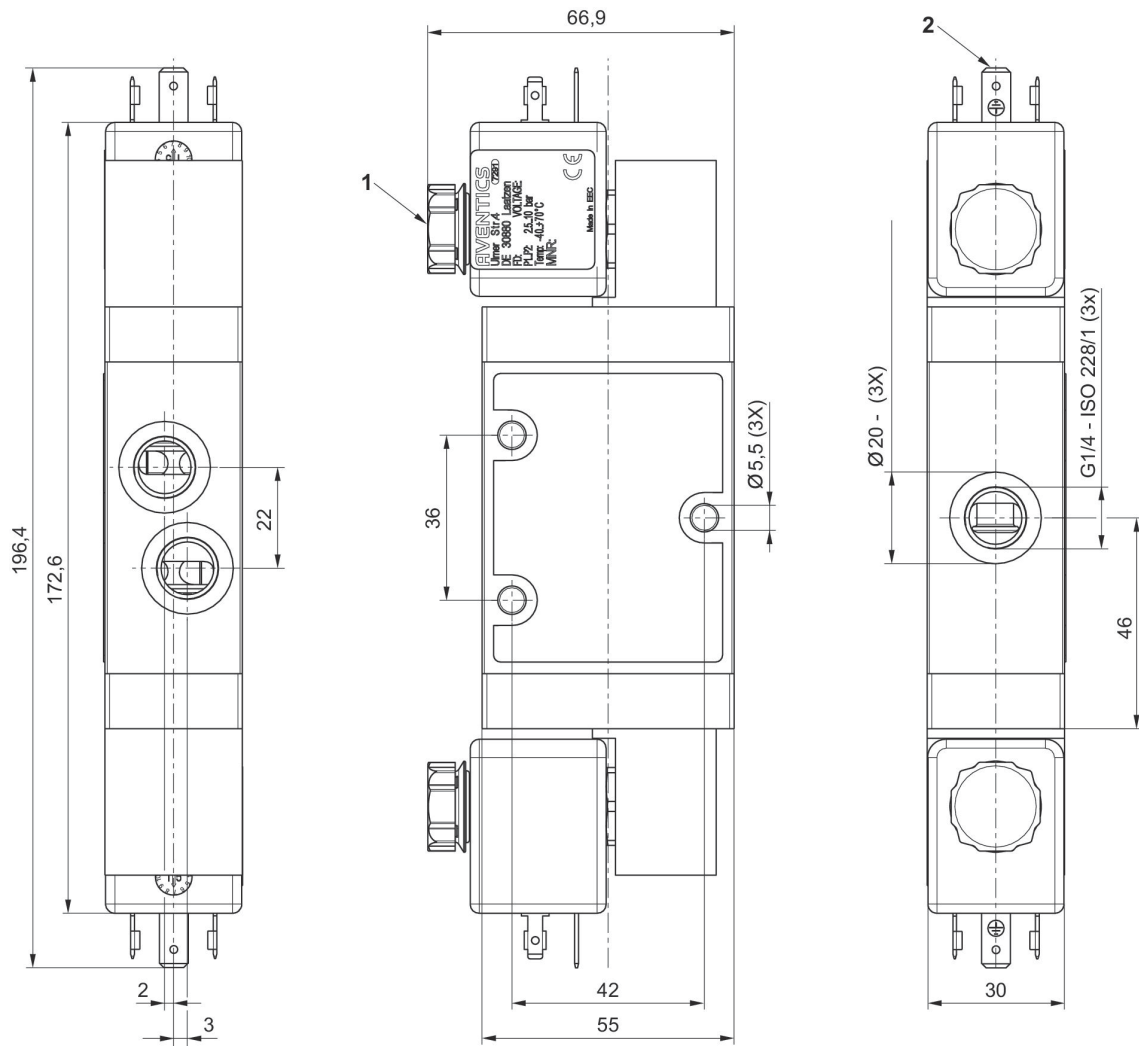
**3/2-directional valve, Series CD07-LT, double solenoid**

Flow: 1200 l/min  
 Pilot valve width: 30 mm  
 Activation: Electrically operated  
 Actuating control: Double Solenoid  
 Manual override: with detent  
 Electrical connection 2, thread size: EN 175301-803, form A  
 Qn 1 > 2: 1200 l/min  
 Compressed air connection type: Internal thread  
 Electrical connection 2, number of poles: 3-pin  
 Compressed air connection input: G 1/4  
 Compressed air connection output: G 1/4  
 Compressed air connection, exhaust: G 1/4  
 Min. control pressure: 3 bar  
 Max. control pressure: 10 bar  
 Duty cycle: 100 %  
 Type: Spool valve, positive overlapping  
 Ambient temperature min./max.: -40 °C ... 70 °C  
 Medium temperature min./max.: -40 °C ... 70 °C  
 Working pressure min./max.: 3 bar ... 10 bar



	Operational voltage	Compressed air connection	Function	Pilot	Manual override	Min. ambient temperature [°C]	Max. ambient temperature [°C]	Part No.
	24 V DC	G 1/4	NC	Internal	with detent	-40	70	R414012364
	110 V DC	G 1/4	NC	Internal	with detent	-40	70	R414012365
	24 V DC	G 1/4	NC	Internal	without	-40	70	R414011832
	110 V DC	G 1/4	NC	Internal	without	-40	70	R414011833

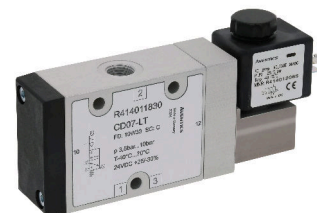
Dimensions in mm



- 1) Silencer
- 2) Valve plug connector form A, EN 175301-803

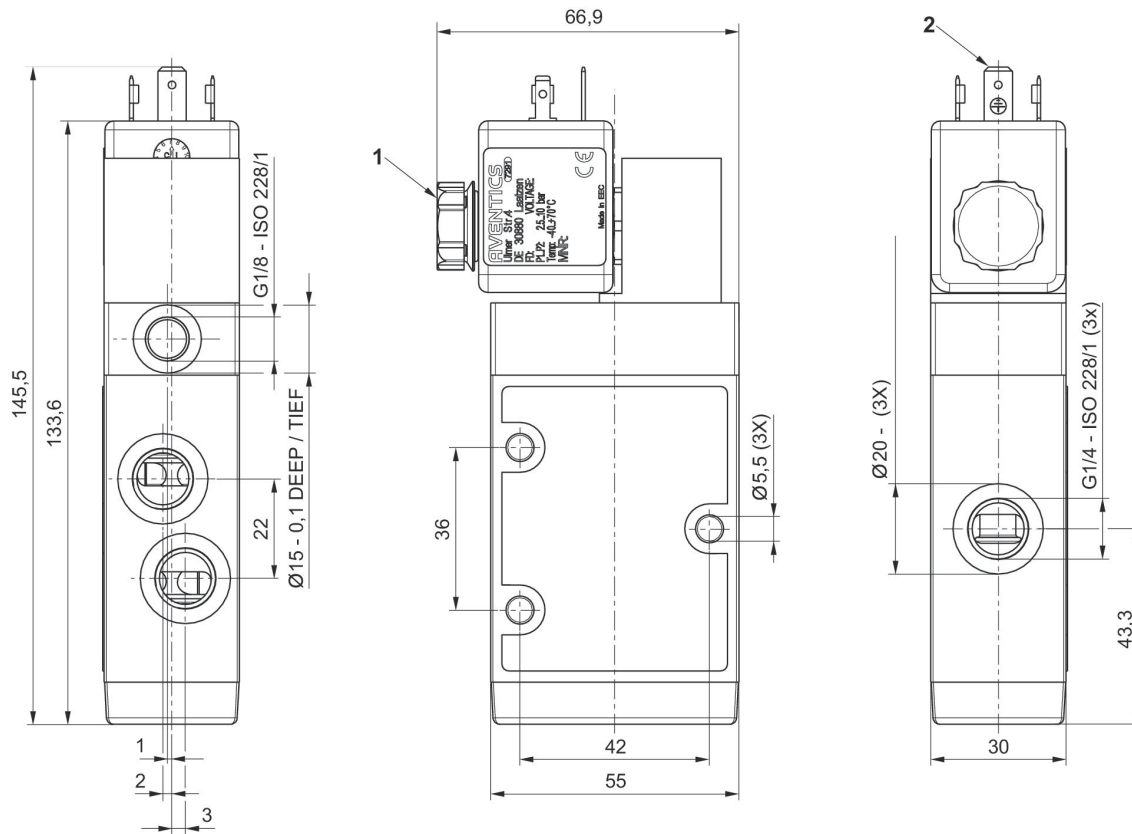
### 3/2-directional valve, Series CD07-LT, single solenoid

Flow: 1200 l/min  
 Pilot valve width: 30 mm  
 Activation: Electrically operated  
 Actuating control: Single Solenoid  
 Manual override: with detent  
 Electrical connection 2, thread size: EN 175301-803, form A  
 Qn 1 > 2: 1200 l/min  
 Compressed air connection type: Internal thread  
 Electrical connection 2, number of poles: 3-pin  
 Compressed air connection input: G 1/4  
 Compressed air connection output: G 1/4  
 Compressed air connection, exhaust: G 1/4  
 Min. control pressure: 3 bar  
 Max. control pressure: 10 bar  
 Duty cycle: 100 %  
 Type: Spool valve, positive overlapping  
 Ambient temperature min./max.: -40 °C ... 70 °C  
 Medium temperature min./max.: -40 °C ... 70 °C  
 Working pressure min./max.: 3 bar ... 10 bar



	Operational voltage	Compressed air connection	Function	Pilot	Manual override	Min. ambient temperature [°C]	Max. ambient temperature [°C]	Part No.
	24 V DC	G 1/4	NC	External	with detent	-40	70	R414012362
	110 V DC	G 1/4	NC	External	with detent	-40	70	R414012363
	24 V DC	G 1/4	NC	External	without	-40	70	R414011830
	110 V DC	G 1/4	NC	External	without	-40	70	R414011831

Dimensions in mm



- 1) Silencer
- 2) Valve plug connector form A, EN 175301-803

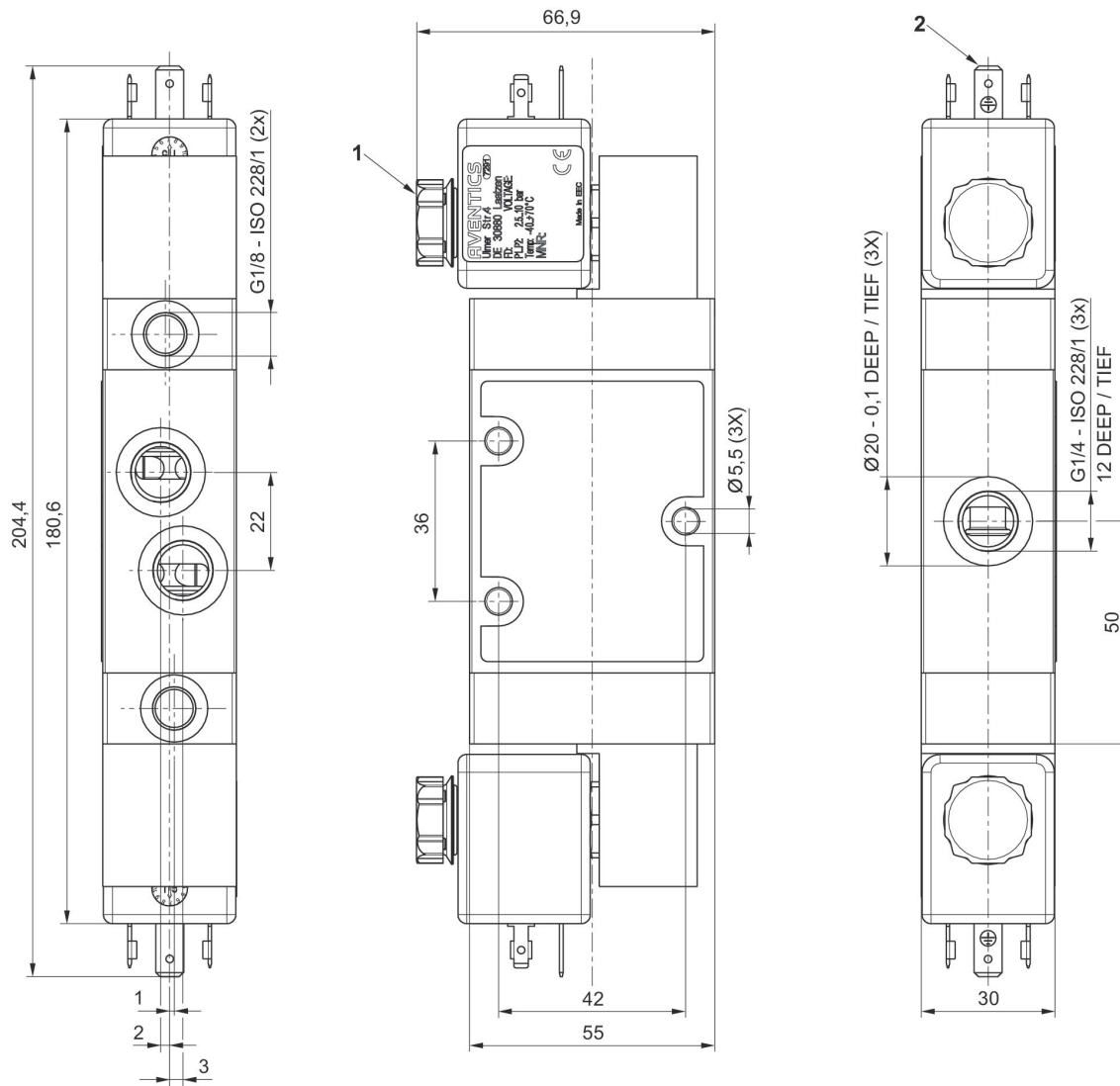
### 3/2-directional valve, Series CD07-LT, double solenoid

Flow: 1200 l/min  
 Pilot valve width: 30 mm  
 Activation: Electrically operated  
 Actuating control: Double Solenoid  
 Manual override: with detent  
 Electrical connection 2, thread size: EN 175301-803, form A  
 Qn 1 > 2: 1200 l/min  
 Compressed air connection type: Internal thread  
 Electrical connection 2, number of poles: 3-pin  
 Compressed air connection input: G 1/4  
 Compressed air connection output: G 1/4  
 Compressed air connection, exhaust: G 1/8  
 Min. control pressure: 3 bar  
 Max. control pressure: 10 bar  
 Duty cycle: 100 %  
 Type: Spool valve, positive overlapping  
 Ambient temperature min./max.: -40 °C ... 70 °C  
 Medium temperature min./max.: -40 °C ... 70 °C  
 Working pressure min./max.: 3 bar ... 10 bar



	Operational voltage	Compressed air connection	Function	Pilot	Manual override	Min. ambient temperature [°C]	Max. ambient temperature [°C]	Part No.
	24 V DC	G 1/4	NC	External	with detent	-40	70	R414012366
	110 V DC	G 1/4	NC	External	with detent	-40	70	R414012367
	24 V DC	G 1/4	NC	External	without	-40	70	R414011834
	110 V DC	G 1/4	NC	External	without	-40	70	R414011835

Dimensions in mm



- 1) Silencer
- 2) Valve plug connector form A, EN 175301-803

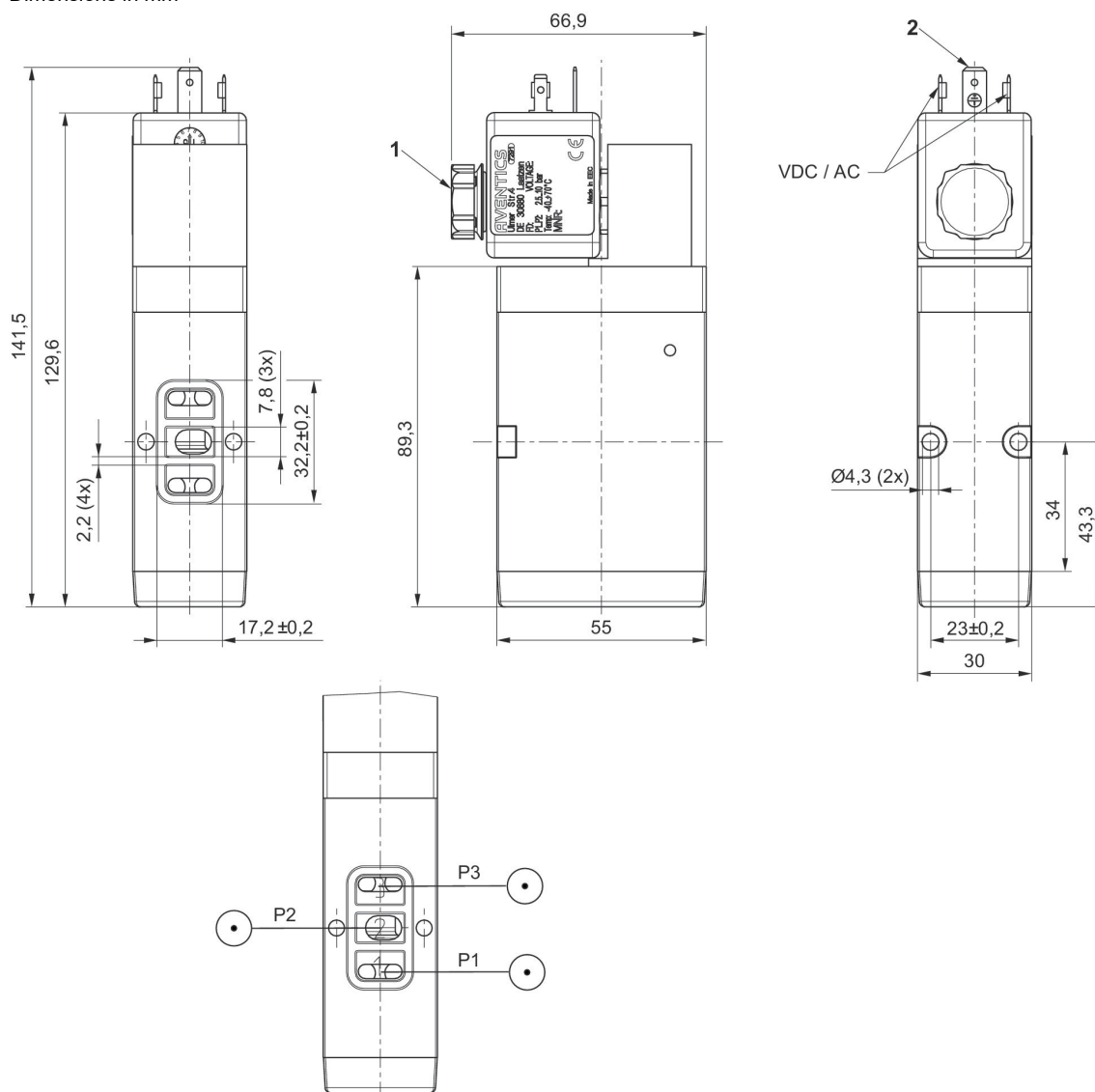
### 3/2-directional valve, Series CD07-LT, single solenoid

Flow: 1000 l/min  
 Pilot valve width: 30 mm  
 Activation: Electrically operated  
 Actuating control: Single Solenoid  
 Manual override: with detent  
 Electrical connection 2, thread size: EN 175301-803, form A  
 Qn 1 > 2: 1000 l/min  
 Compressed air connection type: Internal thread  
 Electrical connection 2, number of poles: 3-pin  
 Compressed air connection input: flange  
 Compressed air connection output: flange  
 Compressed air connection, exhaust: flange  
 Min. control pressure: 3 bar  
 Max. control pressure: 10 bar  
 Duty cycle: 100 %  
 Type: Spool valve, positive overlapping  
 Ambient temperature min./max.: -40 °C ... 70 °C  
 Medium temperature min./max.: -40 °C ... 70 °C  
 Working pressure min./max.: 3 bar ... 10 bar



	Operational voltage	Compressed air connection	Function	Pilot	Manual override	Min. ambient temperature [°C]	Max. ambient temperature [°C]	Part No.
	24 V DC	flange	NC	Internal	with detent	-40	70	R414012228
	110 V DC	flange	NC	Internal	with detent	-40	70	R414012229
	24 V DC	flange	NC	Internal	without	-40	70	R414011836
	110 V DC	flange	NC	Internal	without	-40	70	R414011837

Dimensions in mm



- 1) Silencer
- 2) Valve plug connector form A, EN 175301-803

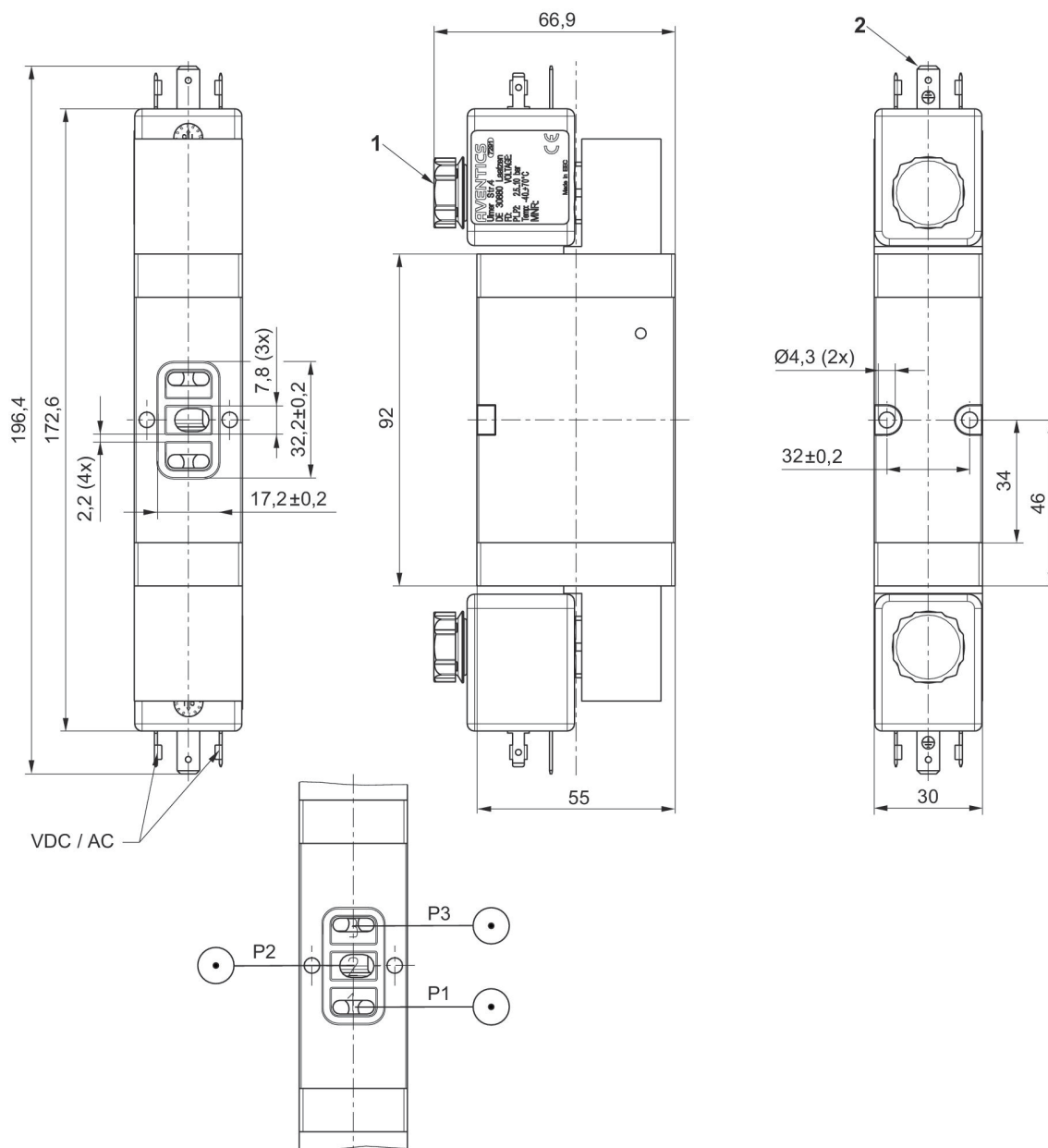
**3/2-directional valve, Series CD07-LT, double solenoid**

Flow: 1000 l/min  
 Pilot valve width: 30 mm  
 Activation: Electrically operated  
 Actuating control: Double Solenoid  
 Manual override: with detent  
 Electrical connection 2, thread size: EN 175301-803, form A  
 Qn 1 > 2: 1000 l/min  
 Compressed air connection type: Internal thread  
 Electrical connection 2, number of poles: 3-pin  
 Compressed air connection input: flange  
 Compressed air connection output: flange  
 Compressed air connection, exhaust: flange  
 Min. control pressure: 3 bar  
 Max. control pressure: 10 bar  
 Duty cycle: 100 %  
 Type: Spool valve, positive overlapping  
 Ambient temperature min./max.: -40 °C ... 70 °C  
 Medium temperature min./max.: -40 °C ... 70 °C  
 Working pressure min./max.: 3 bar ... 10 bar



	Operational voltage	Compressed air connection	Function	Pilot	Manual override	Min. ambient temperature [°C]	Max. ambient temperature [°C]	Part No.
	24 V DC	flange	NC	Internal	with detent	-40	70	R414012232
	110 V DC	flange	NC	Internal	with detent	-40	70	R414012233
	24 V DC	flange	NC	Internal	without	-40	70	R414011840
	110 V DC	flange	NC	Internal	without	-40	70	R414011841

Dimensions in mm



- 1) Silencer
- 2) Valve plug connector form A, EN 175301-803

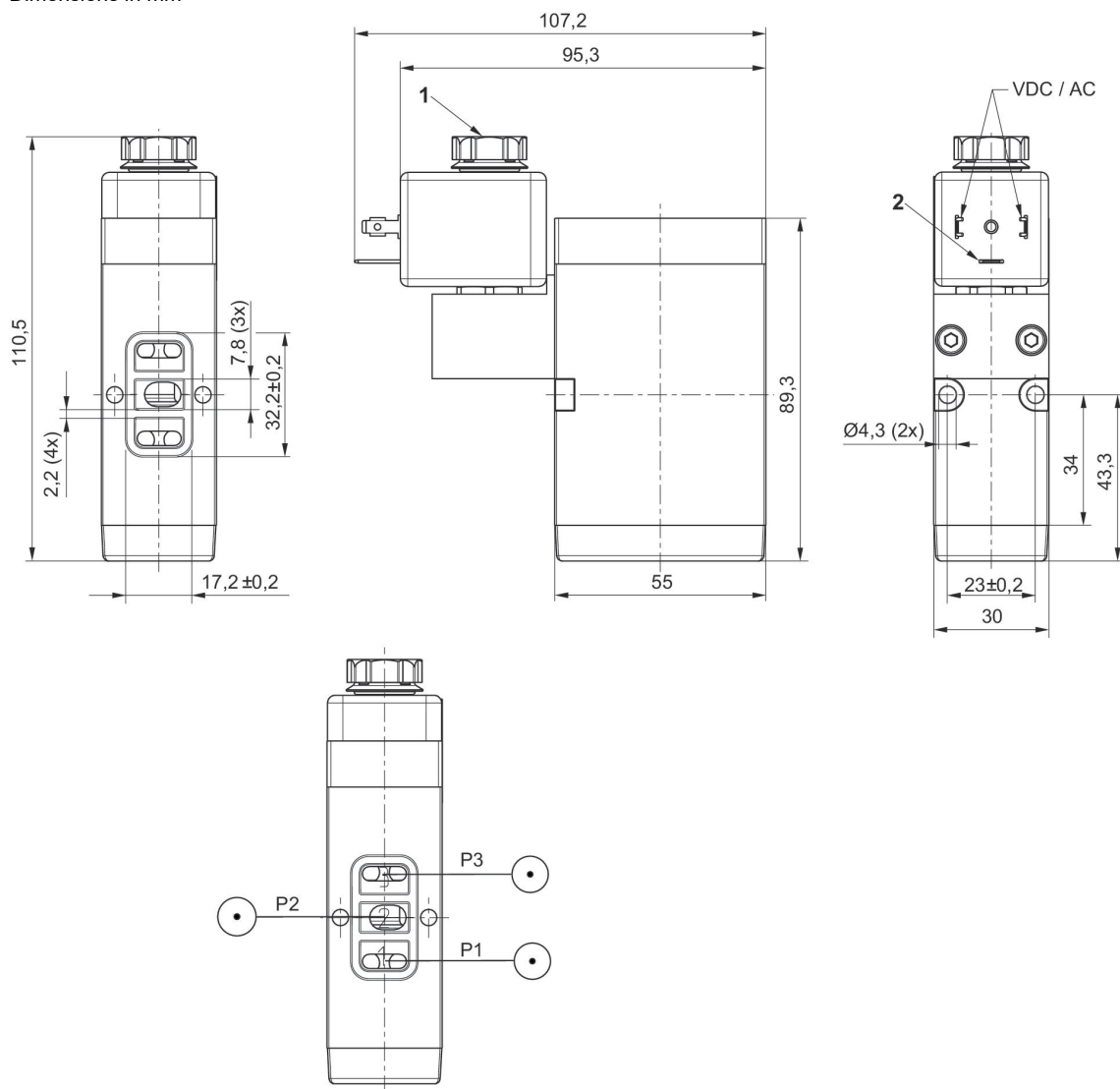
### 3/2-directional valve, Series CD07-LT, single solenoid

Flow: 1000 l/min  
 Pilot valve width: 30 mm  
 Activation: Electrically operated  
 Actuating control: Single Solenoid  
 Manual override: with detent  
 Electrical connection 2, thread size: EN 175301-803, form A  
 Qn 1 > 2: 1000 l/min  
 Compressed air connection type: Internal thread  
 Electrical connection 2, number of poles: 3-pin  
 Compressed air connection input: flange  
 Compressed air connection output: flange  
 Compressed air connection, exhaust: flange  
 Min. control pressure: 3 bar  
 Max. control pressure: 10 bar  
 Duty cycle: 100 %  
 Type: Spool valve, positive overlapping  
 Ambient temperature min./max.: -40 °C ... 70 °C  
 Medium temperature min./max.: -40 °C ... 70 °C  
 Working pressure min./max.: 3 bar ... 10 bar



	Operational voltage	Compressed air connection	Function	Pilot	Manual override	Min. ambient temperature [°C]	Max. ambient temperature [°C]	Part No.
	24 V DC	flange	NC	Internal	with detent	-40	70	R414012261
	110 V DC	flange	NC	Internal	with detent	-40	70	R414012262
	24 V DC	flange	NC	Internal	without	-40	70	R414012253
	110 V DC	flange	NC	Internal	without	-40	70	R414012254

Dimensions in mm

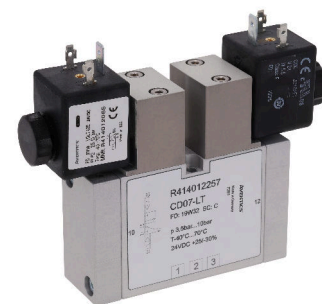


1) Silencer

2) Valve plug connector form A, EN 175301-803

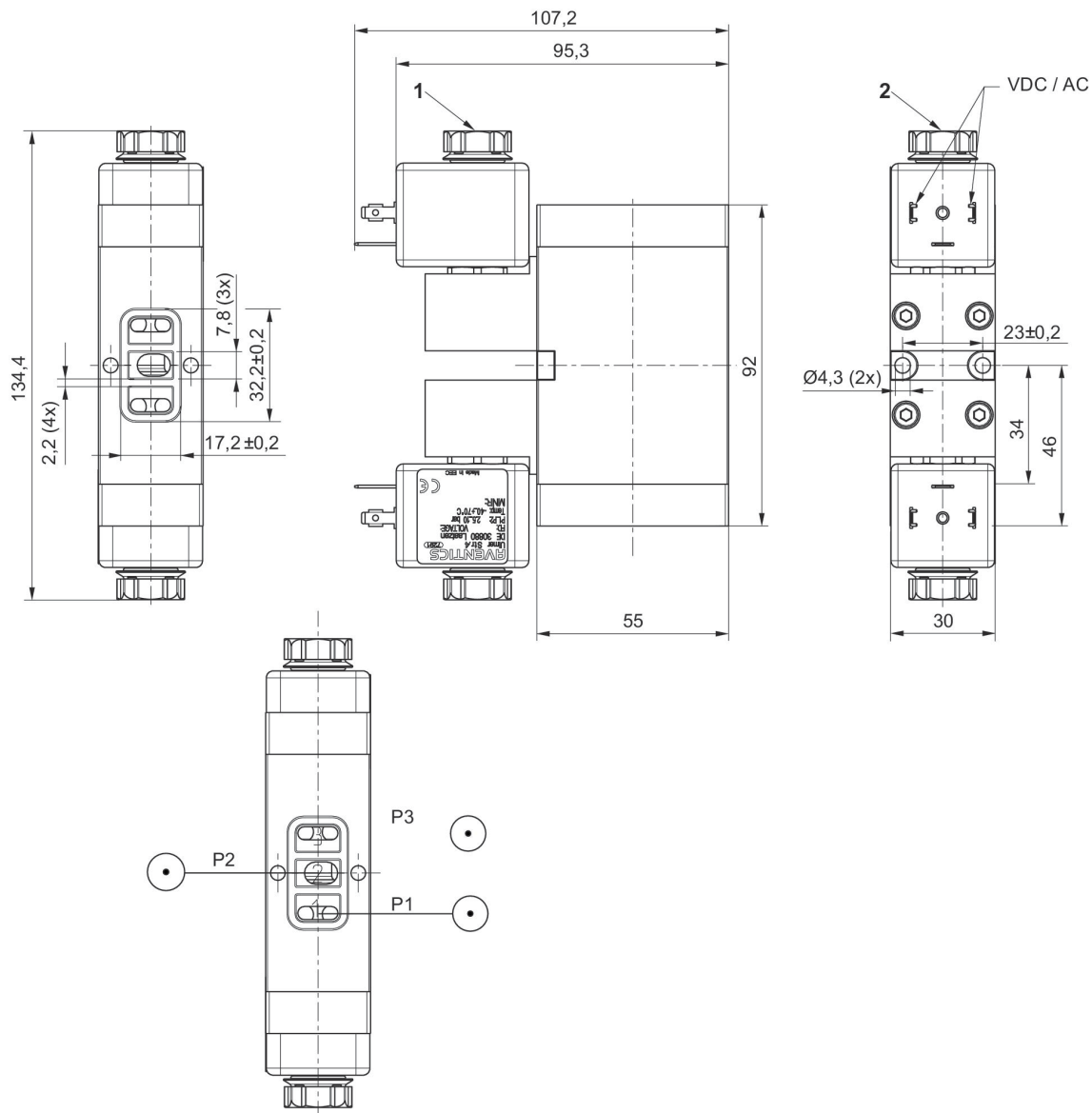
**3/2-directional valve, Series CD07-LT, double solenoid**

Flow: 1000 l/min  
 Pilot valve width: 30 mm  
 Activation: Electrically operated  
 Actuating control: Double Solenoid  
 Manual override: with detent  
 Electrical connection 2, thread size: EN 175301-803, form A  
 Qn 1 > 2: 1000 l/min  
 Compressed air connection type: Internal thread  
 Electrical connection 2, number of poles: 3-pin  
 Compressed air connection input: flange  
 Compressed air connection output: flange  
 Compressed air connection, exhaust: flange  
 Min. control pressure: 3 bar  
 Max. control pressure: 10 bar  
 Duty cycle: 100 %  
 Type: Spool valve, positive overlapping  
 Ambient temperature min./max.: -40 °C ... 70 °C  
 Medium temperature min./max.: -40 °C ... 70 °C  
 Working pressure min./max.: 3 bar ... 10 bar



	Operational voltage	Compressed air connection	Function	Pilot	Manual override	Min. ambient temperature [°C]	Max. ambient temperature [°C]	Part No.
	24 V DC	flange	NC	Internal	with detent	-40	70	R414012265
	110 V DC	flange	NC	Internal	with detent	-40	70	R414012266
	24 V DC	flange	NC	Internal	without	-40	70	R414012257
	110 V DC	flange	NC	Internal	without	-40	70	R414012258

Dimensions in mm



- 1) Silencer
- 2) Valve plug connector form A, EN 175301-803

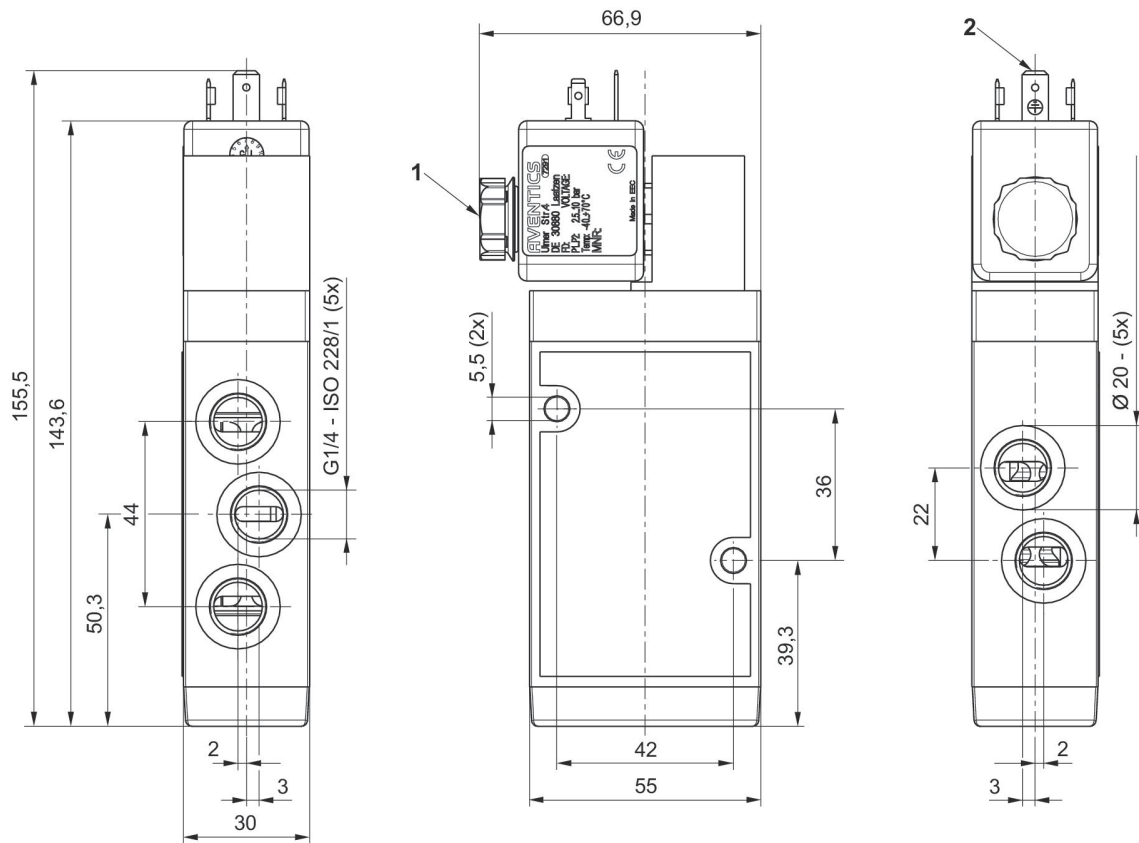
**5/2-directional valve, Series CD07-LT, double solenoid**

Flow: 1200 l/min  
 Pilot valve width: 30 mm  
 Activation: Electrically operated  
 Actuating control: Single Solenoid  
 Manual override: with detent  
 Electrical connection 2, thread size: EN 175301-803, form A  
 Qn 1 > 2: 1200 l/min  
 Compressed air connection type: Internal thread  
 Electrical connection 2, number of poles: 3-pin  
 Compressed air connection input: G 1/4  
 Compressed air connection output: G 1/4  
 Compressed air connection, exhaust: G 1/4  
 Min. control pressure: 3 bar  
 Max. control pressure: 10 bar  
 Duty cycle: 100 %  
 Type: Spool valve, positive overlapping  
 Ambient temperature min./max.: -40 °C ... 70 °C  
 Medium temperature min./max.: -40 °C ... 70 °C  
 Working pressure min./max.: 3 bar ... 10 bar



	Operational voltage	Compressed air connection	Function	Pilot	Manual override	Min. ambient temperature [°C]	Max. ambient temperature [°C]	Part No.
	24 V DC	G 1/4	NC	Internal	with detent	-40	70	R414012376
	110 V DC	G 1/4	NC	Internal	with detent	-40	70	R414012377
	24 V DC	G 1/4	NC	Internal	without	-40	70	R414011870
	110 V DC	G 1/4	NC	Internal	without	-40	70	R414011871

Dimensions in mm



- 1) Silencer
- 2) Valve plug connector form A, EN 175301-803

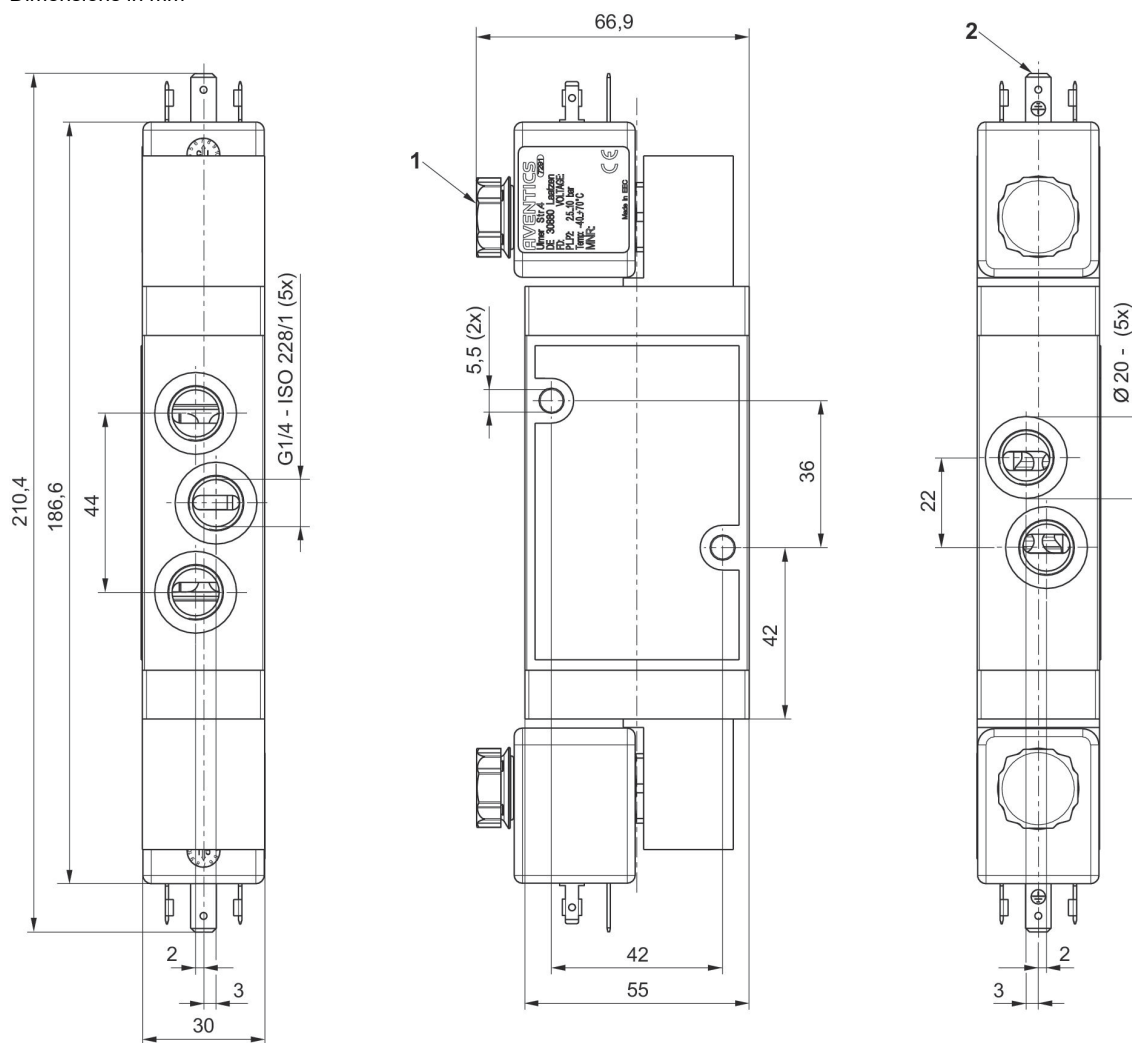
**5/2-directional valve, Series CD07-LT, double solenoid**

Flow: 1200 l/min  
 Pilot valve width: 30 mm  
 Activation: Electrically operated  
 Actuating control: Double Solenoid  
 Manual override: with detent  
 Electrical connection 2, thread size: EN 175301-803, form A  
 Qn 1 > 2: 1200 l/min  
 Compressed air connection type: Internal thread  
 Electrical connection 2, number of poles: 3-pin  
 Compressed air connection input: G 1/4  
 Compressed air connection output: G 1/4  
 Compressed air connection, exhaust: G 1/4  
 Min. control pressure: 3 bar  
 Max. control pressure: 10 bar  
 Duty cycle: 100 %  
 Type: Spool valve, positive overlapping  
 Ambient temperature min./max.: -40 °C ... 70 °C  
 Medium temperature min./max.: -40 °C ... 70 °C  
 Working pressure min./max.: 3 bar ... 10 bar



	Operational voltage	Compressed air connection	Function	Pilot	Manual override	Min. ambient temperature [°C]	Max. ambient temperature [°C]	Part No.
	24 V DC	G 1/4	NC	Internal	with detent	-40	70	R414012380
	110 V DC	G 1/4	NC	Internal	with detent	-40	70	R414012381
	24 V DC	G 1/4	NC	Internal	without	-40	70	R414011874
	110 V DC	G 1/4	NC	Internal	without	-40	70	R414011875

Dimensions in mm



- 1) Silencer
- 2) Valve plug connector form A, EN 175301-803

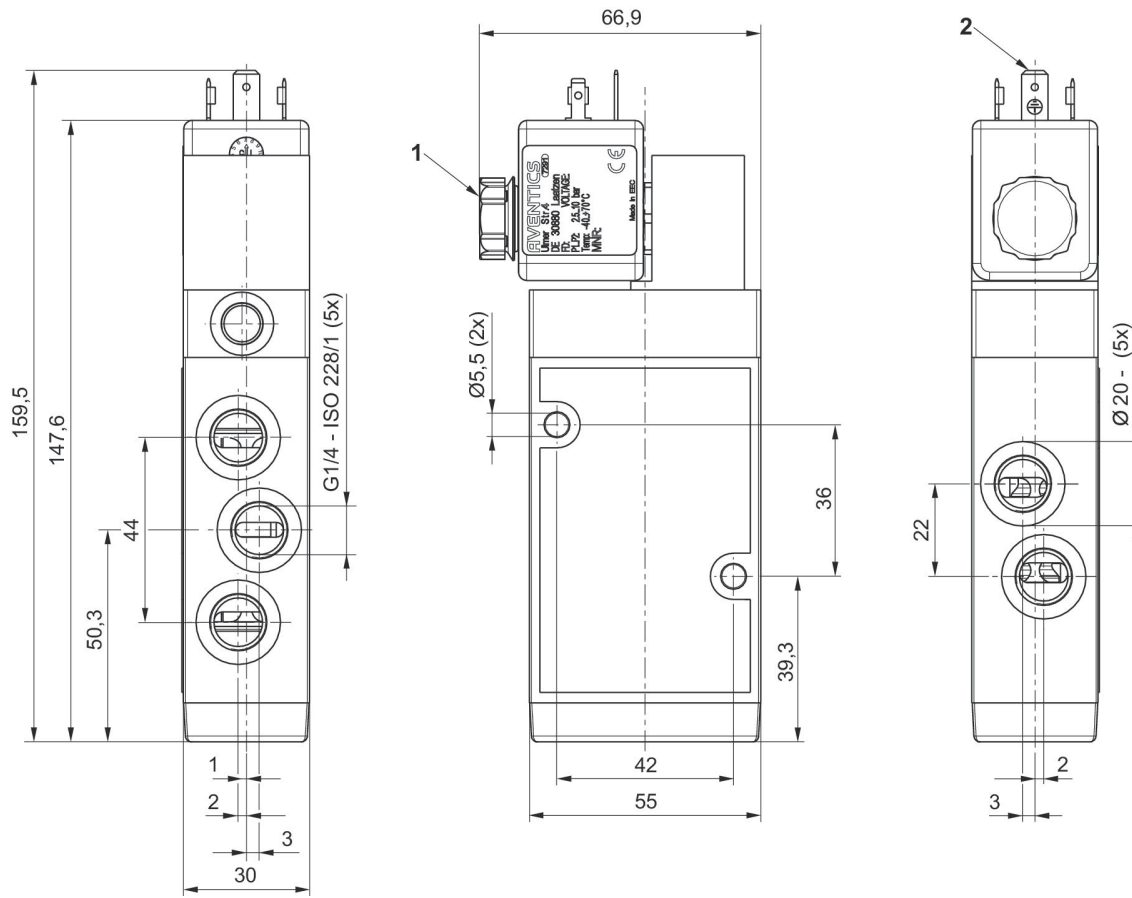
### 5/2-directional valve, Series CD07-LT, single solenoid

Flow: 1200 l/min  
 Pilot valve width: 30 mm  
 Activation: Electrically operated  
 Actuating control: Single Solenoid  
 Manual override: with detent  
 Electrical connection 2, thread size: EN 175301-803, form A  
 Qn 1 > 2: 1200 l/min  
 Compressed air connection type: Internal thread  
 Electrical connection 2, number of poles: 3-pin  
 Compressed air connection input: G 1/4  
 Compressed air connection output: G 1/4  
 Compressed air connection, exhaust: G 1/4  
 Min. control pressure: 3 bar  
 Max. control pressure: 10 bar  
 Duty cycle: 100 %  
 Type: Spool valve, positive overlapping  
 Ambient temperature min./max.: -40 °C ... 70 °C  
 Medium temperature min./max.: -40 °C ... 70 °C  
 Working pressure min./max.: 3 bar ... 10 bar



	Operational voltage	Compressed air connection	Function	Pilot	Manual override	Min. ambient temperature [°C]	Max. ambient temperature [°C]	Part No.

Dimensions in mm

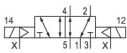





- 1) Silencer
- 2) Valve plug connector form A, EN 175301-803

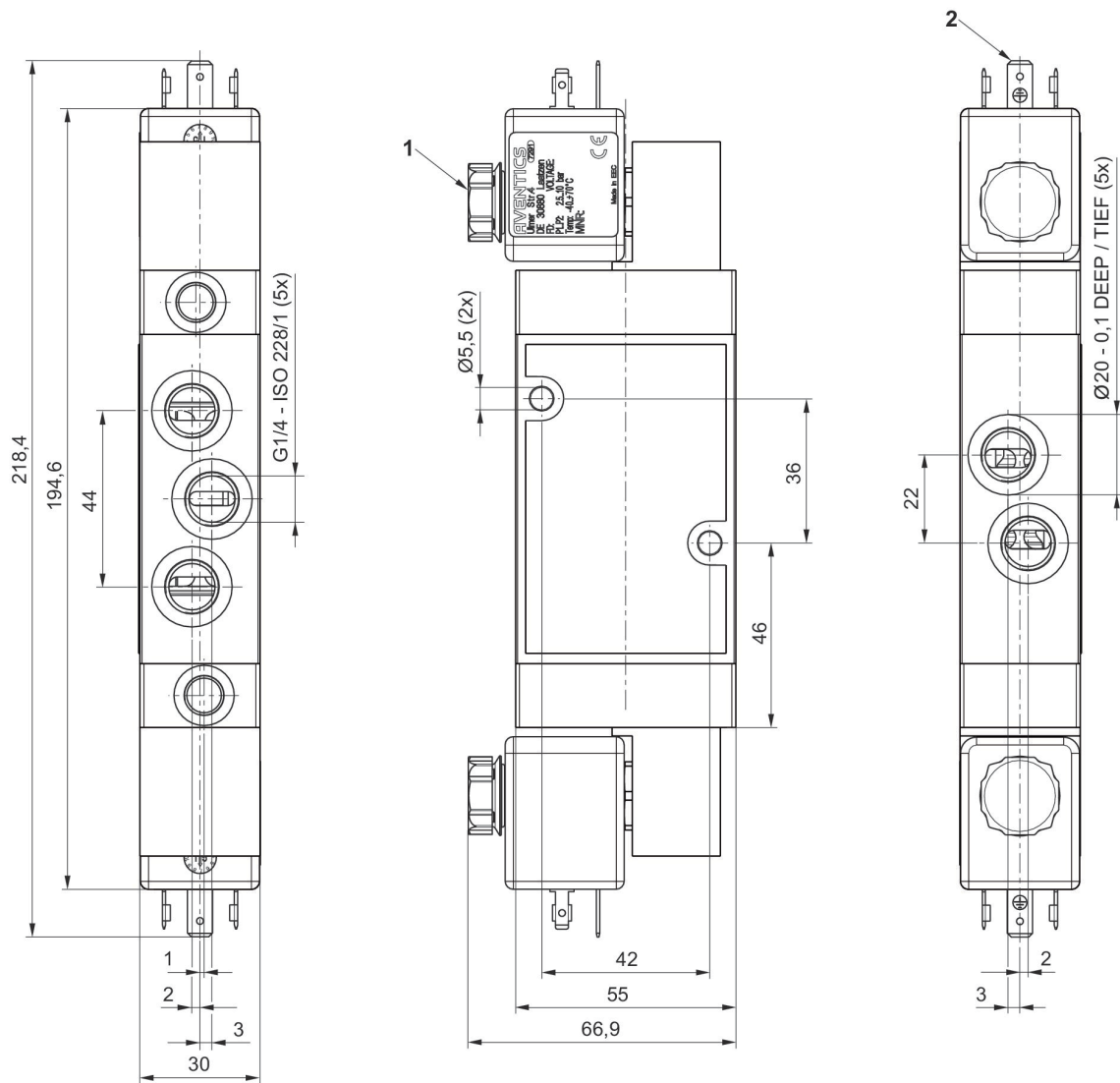
**5/2-directional valve, Series CD07-LT, double solenoid**

Flow: 1200 l/min  
 Pilot valve width: 30 mm  
 Activation: Electrically operated  
 Actuating control: Double Solenoid  
 Manual override: with detent  
 Electrical connection 2, thread size: EN 175301-803, form A  
 Qn 1 > 2: 1200 l/min  
 Compressed air connection type: Internal thread  
 Electrical connection 2, number of poles: 3-pin  
 Compressed air connection input: G 1/4  
 Compressed air connection output: G 1/4  
 Compressed air connection, exhaust: G 1/4  
 Min. control pressure: 3 bar  
 Max. control pressure: 10 bar  
 Duty cycle: 100 %  
 Type: Spool valve, positive overlapping  
 Ambient temperature min./max.: -40 °C ... 70 °C  
 Medium temperature min./max.: -40 °C ... 70 °C  
 Working pressure min./max.: 3 bar ... 10 bar



	Operational voltage	Compressed air connection	Function	Pilot	Manual override	Min. ambient temperature [°C]	Max. ambient temperature [°C]	Part No.
	24 V DC	G 1/4	NC	External	with detent	-40	70	R414012382
	110 V DC	G 1/4	NC	External	with detent	-40	70	R414012383
	24 V DC	G 1/4	NC	External	without	-40	70	R414011876
	110 V DC	G 1/4	NC	External	without	-40	70	R414011877

Dimensions in mm



- 1) Silencer
- 2) Valve plug connector form A, EN 175301-803

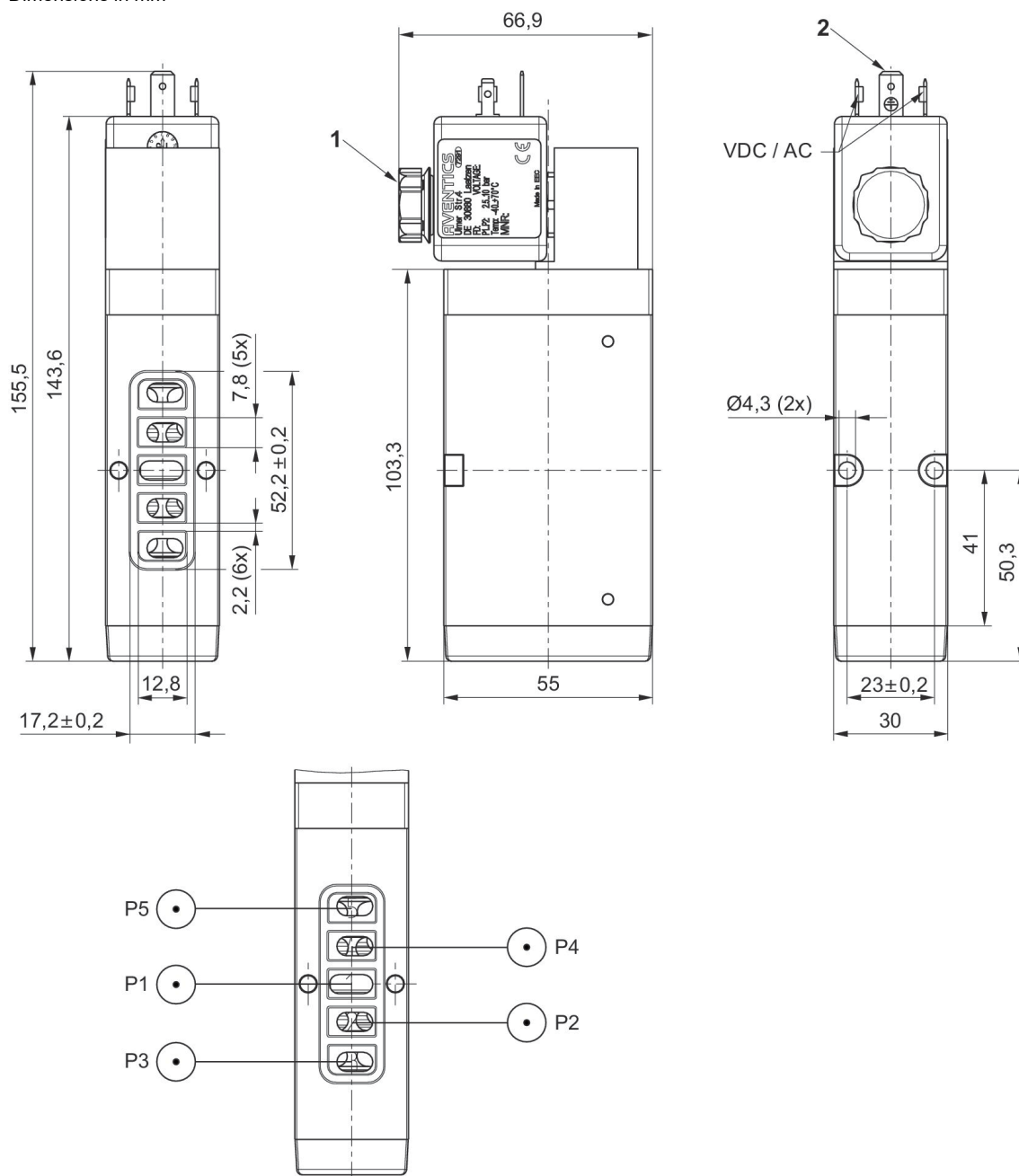
**5/2-directional valve, Series CD07-LT, single solenoid**

Flow: 1000 l/min  
 Pilot valve width: 30 mm  
 Activation: Electrically operated  
 Actuating control: Single Solenoid  
 Manual override: with detent  
 Electrical connection 2, thread size: EN 175301-803, form A  
 Qn 1 > 2: 1000 l/min  
 Compressed air connection type: Internal thread  
 Electrical connection 2, number of poles: 3-pin  
 Compressed air connection input: flange  
 Compressed air connection output: flange  
 Compressed air connection, exhaust: flange  
 Min. control pressure: 3 bar  
 Max. control pressure: 10 bar  
 Duty cycle: 100 %  
 Type: Spool valve, positive overlapping  
 Ambient temperature min./max.: -40 °C ... 70 °C  
 Medium temperature min./max.: -40 °C ... 70 °C  
 Working pressure min./max.: 3 bar ... 10 bar



	Operational voltage	Compressed air connection	Function	Pilot	Manual override	Min. ambient temperature [°C]	Max. ambient temperature [°C]	Part No.
	24 V DC	flange	NC	Internal	with detent	-40	70	R414012245
	110 V DC	flange	NC	Internal	with detent	-40	70	R414012246
	24 V DC	flange	NC	Internal	without	-40	70	R414011878
	110 V DC	flange	NC	Internal	without	-40	70	R414011879

Dimensions in mm



- 1) Silencer
- 2) Valve plug connector form A, EN 175301-803

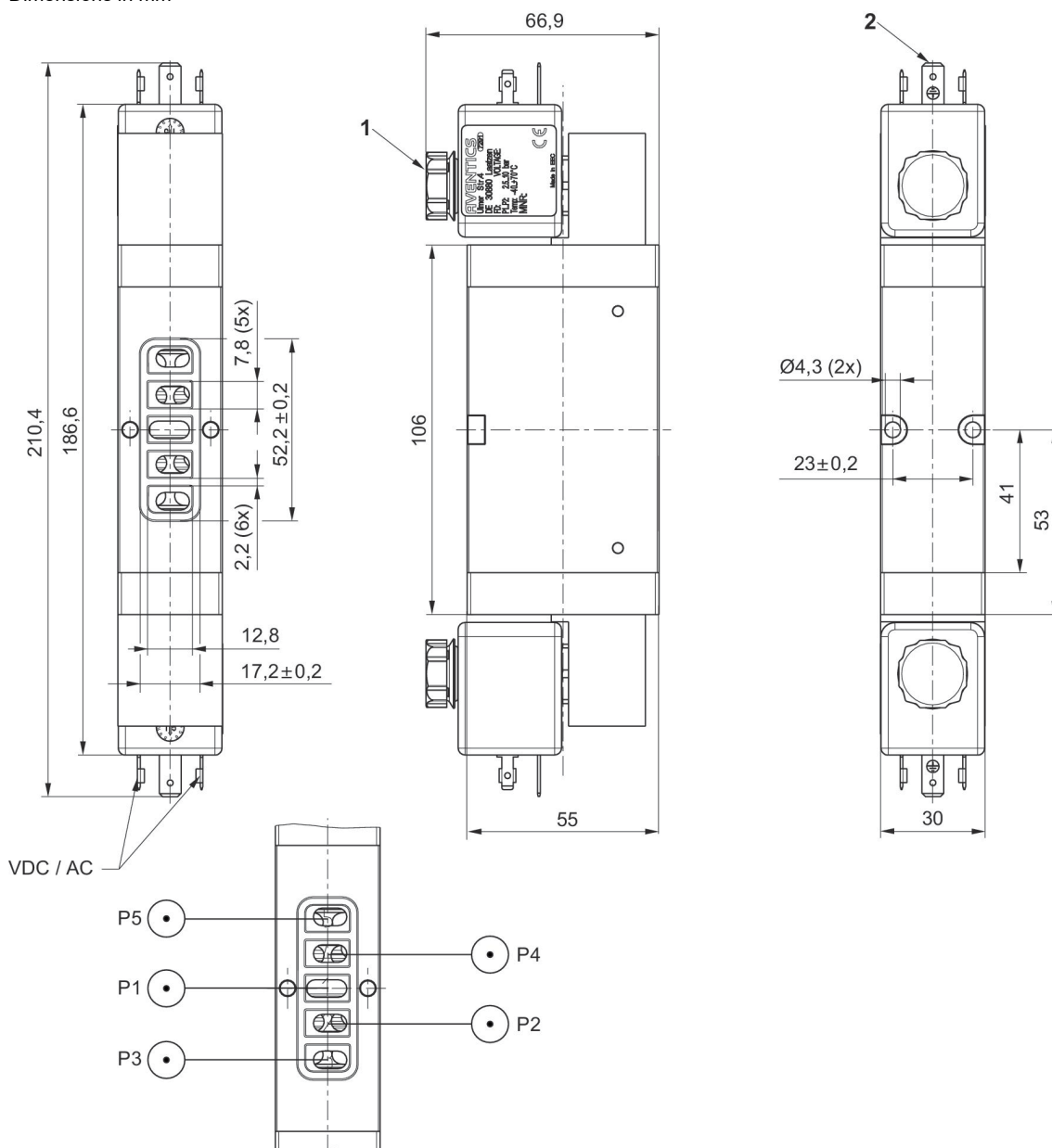
**5/2-directional valve, Series CD07-LT, double solenoid**

Flow: 1000 l/min  
 Pilot valve width: 30 mm  
 Activation: Electrically operated  
 Actuating control: Double Solenoid  
 Manual override: with detent  
 Electrical connection 2, thread size: EN 175301-803, form A  
 Qn 1 > 2: 1000 l/min  
 Compressed air connection type: Internal thread  
 Electrical connection 2, number of poles: 3-pin  
 Compressed air connection input: flange  
 Compressed air connection output: flange  
 Compressed air connection, exhaust: flange  
 Min. control pressure: 3 bar  
 Max. control pressure: 10 bar  
 Duty cycle: 100 %  
 Type: Spool valve, positive overlapping  
 Ambient temperature min./max.: -40 °C ... 70 °C  
 Medium temperature min./max.: -40 °C ... 70 °C  
 Working pressure min./max.: 3 bar ... 10 bar



	Operational voltage	Compressed air connection	Function	Pilot	Manual override	Min. ambient temperature [°C]	Max. ambient temperature [°C]	Part No.
	24 V DC	flange	NC	Internal	without	-40	70	R414011882
	110 V DC	flange	NC	Internal	without	-40	70	R414011883
	24 V DC	flange	NC	Internal	with detent	-40	70	R414012249
	110 V DC	flange	NC	Internal	with detent	-40	70	R414012250

Dimensions in mm



- 1) Silencer
- 2) Valve plug connector form A, EN 175301-803

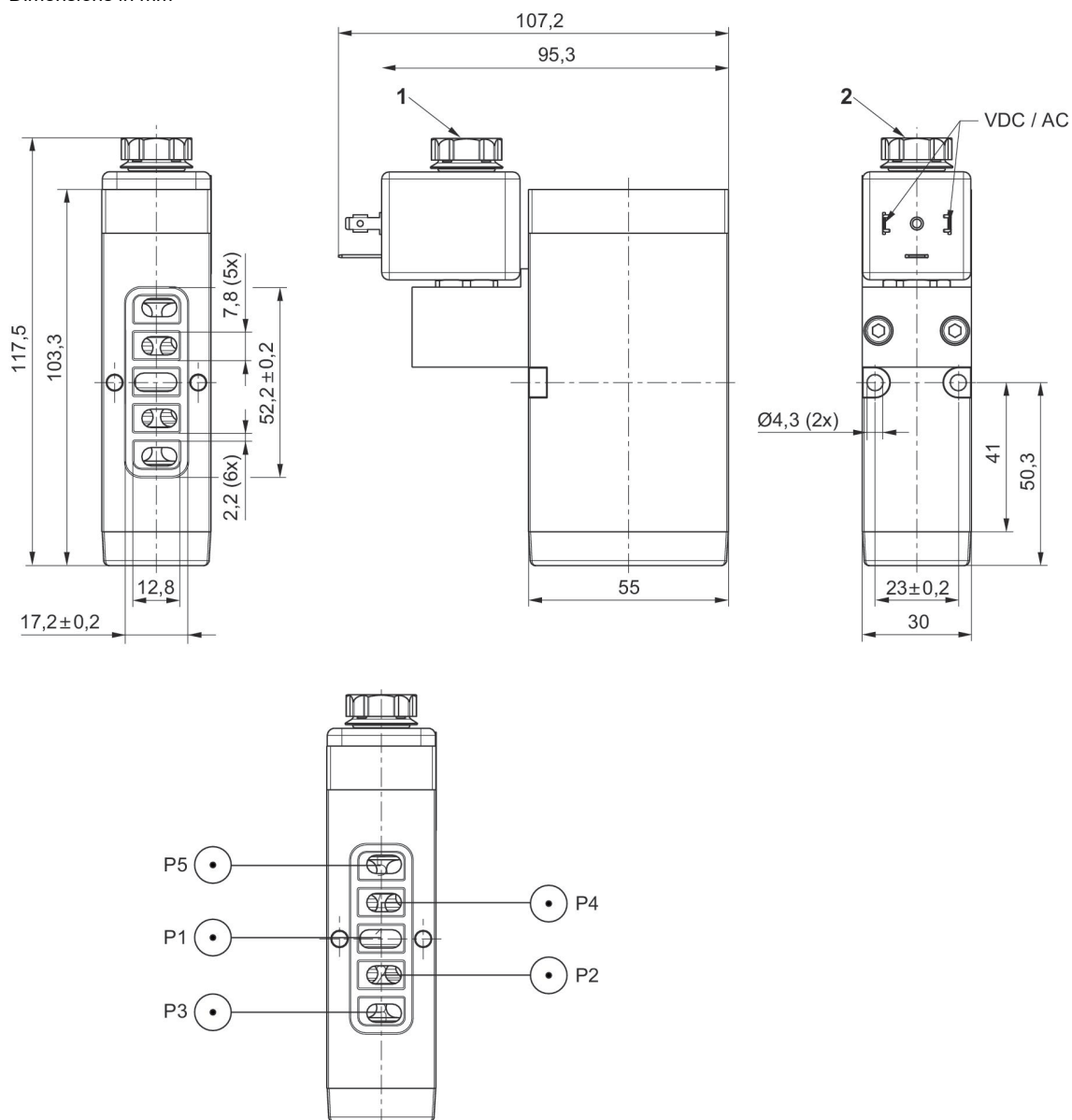
**5/2-directional valve, Series CD07-LT, single solenoid**

Flow: 1000 l/min  
 Pilot valve width: 30 mm  
 Activation: Electrically operated  
 Actuating control: Single Solenoid  
 Manual override: with detent  
 Electrical connection 2, thread size: EN 175301-803, form A  
 Qn 1 > 2: 1000 l/min  
 Compressed air connection type: Internal thread  
 Electrical connection 2, number of poles: 3-pin  
 Compressed air connection input: flange  
 Compressed air connection output: flange  
 Compressed air connection, exhaust: flange  
 Min. control pressure: 3 bar  
 Max. control pressure: 10 bar  
 Duty cycle: 100 %  
 Type: Spool valve, positive overlapping  
 Ambient temperature min./max.: -40 °C ... 70 °C  
 Medium temperature min./max.: -40 °C ... 70 °C  
 Working pressure min./max.: 3 bar ... 10 bar



	Operational voltage	Compressed air connection	Function	Pilot	Manual override	Min. ambient temperature [°C]	Max. ambient temperature [°C]	Part No.
	24 V DC	flange	NC	Internal	with detent	-40	70	R414012294
	110 V DC	flange	NC	Internal	with detent	-40	70	R414012295
	24 V DC	flange	NC	Internal	without	-40	70	R414012286
	110 V DC	flange	NC	Internal	without	-40	70	R414012287

Dimensions in mm



- 1) Silencer
- 2) Valve plug connector form A, EN 175301-803

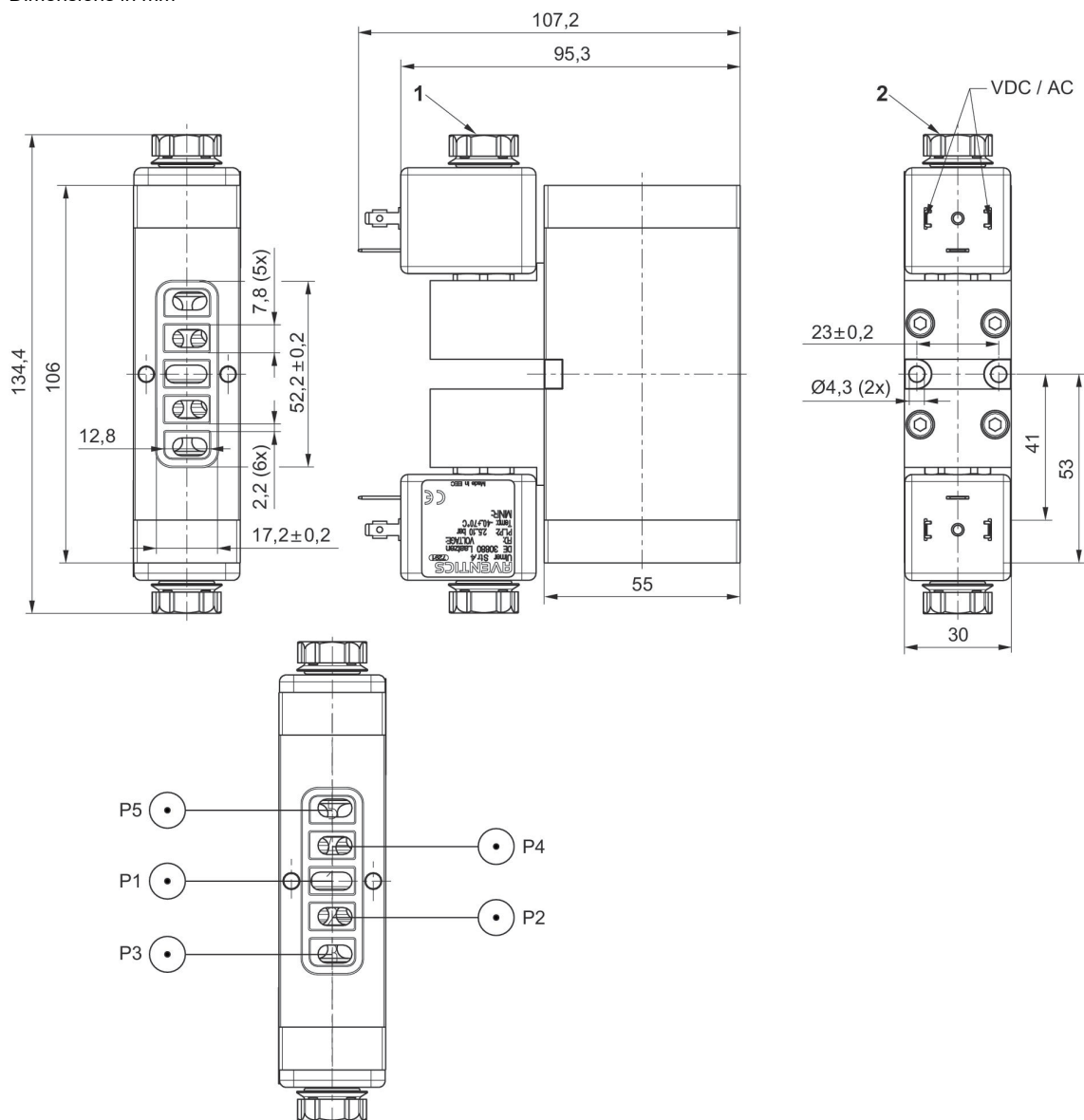
**5/2-directional valve, Series CD07-LT, double solenoid**

Flow: 1000 l/min  
 Pilot valve width: 30 mm  
 Activation: Electrically operated  
 Actuating control: Double Solenoid  
 Manual override: with detent  
 Electrical connection 2, thread size: EN 175301-803, form A  
 Qn 1 > 2: 1000 l/min  
 Compressed air connection type: Internal thread  
 Electrical connection 2, number of poles: 3-pin  
 Compressed air connection input: flange  
 Compressed air connection output: flange  
 Compressed air connection, exhaust: flange  
 Min. control pressure: 3 bar  
 Max. control pressure: 10 bar  
 Duty cycle: 100 %  
 Type: Spool valve, positive overlapping  
 Ambient temperature min./max.: -40 °C ... 70 °C  
 Medium temperature min./max.: -40 °C ... 70 °C  
 Working pressure min./max.: 3 bar ... 10 bar



	Operational voltage	Compressed air connection	Function	Pilot	Manual override	Min. ambient temperature [°C]	Max. ambient temperature [°C]	Part No.
	24 V DC	flange	NC	Internal	with detent	-40	70	R414012298
	110 V DC	flange	NC	Internal	with detent	-40	70	R414012299
	24 V DC	flange	NC	Internal	without	-40	70	R414012290
	110 V DC	flange	NC	Internal	without	-40	70	R414012291

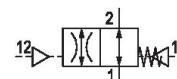
Dimensions in mm



- 1) Silencer
- 2) Valve plug connector form A, EN 175301-803

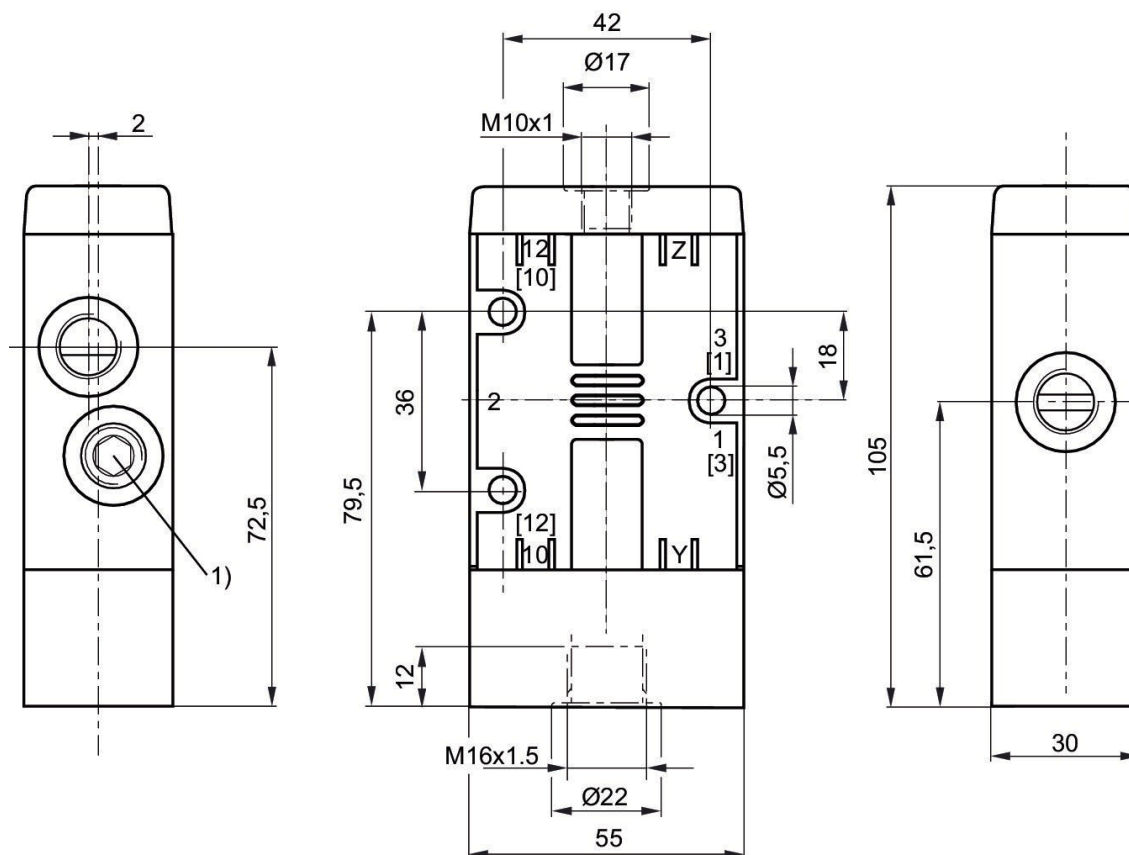
**2/2-directional valve, Series CD07**

Flow: 1400 l/min  
 Activation: Pneumatically operated  
 Actuating control: Single Air Pilot, Double Air Pilot  
 Qn 1 > 2: 1400 l/min  
 Compressed air connection type: Internal thread  
 Compressed air connection input: M14x1,5  
 Compressed air connection output: M14x1,5  
 Min. control pressure: 2.5 bar  
 Max. control pressure: 10 bar  
 Type: Spool valve, positive overlapping  
 Ambient temperature min./max.: -25 °C ... 80 °C  
 Medium temperature min./max.: -25 °C ... 80 °C  
 Working pressure min./max.: -0.95 bar ... 10 bar



Compressed air connection	Function	ATEX	Min. ambient temperature [°C]	Max. ambient temperature [°C]	Part No.
M14x1,5	NO	Suitable for ATEX	-25	80	5710409000

Dimensions in mm



1) Blanking screw

### 3/2-directional valve, Series CD07, single/double air Pilot

Flow: 1400 l/min

Activation: Pneumatically operated

Actuating control: Double Air Pilot

Compressed air connection type: Internal thread

Type: Spool valve, positive overlapping

Ambient temperature min./max.: -25 °C ... 80 °C

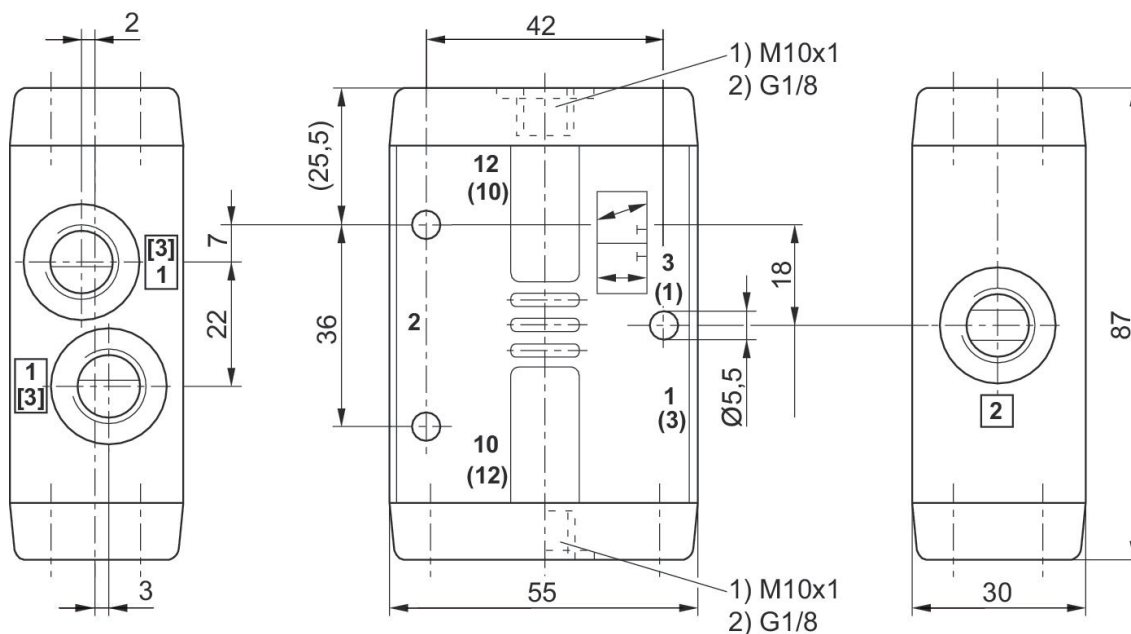
Medium temperature min./max.: -25 °C ... 80 °C

Working pressure min./max.: -0.95 bar ... 10 bar



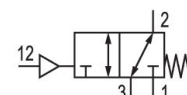
	Compressed air connection	Function	ATEX	Min. ambient temperature [°C]	Max. ambient temperature [°C]	Part No.
	M14x1,5	NC/NO	Suitable for ATEX	-25	80	5710400000
	G 1/4	NC/NO	Suitable for ATEX	-25	80	5710400100
	M14x1,5	NC/NO	Suitable for ATEX	-25	80	5710401000
	G 1/4	NC/NO	Suitable for ATEX	-25	80	5710401100

Dimensions in mm



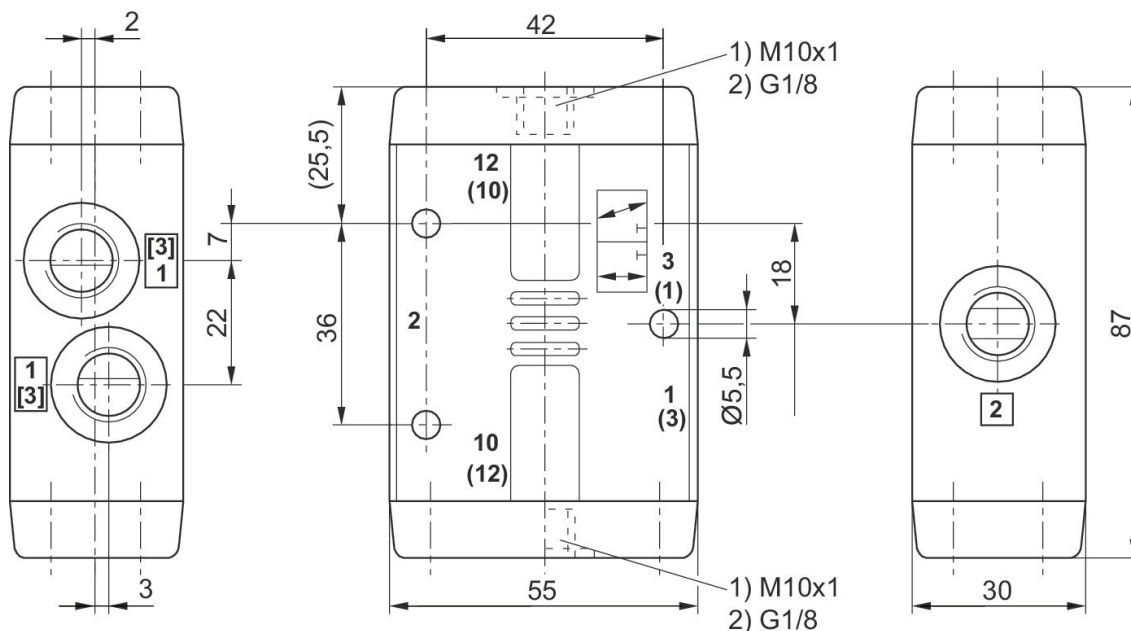
### 3/2-directional valve, Series CD07, single/double air Pilot

Flow: 1400 l/min  
 Activation: Pneumatically operated  
 Compressed air connection type: Internal thread  
 Min. control pressure: 4 bar  
 Max. control pressure: 10 bar  
 Type: Spool valve, positive overlapping  
 Ambient temperature min./max.: -25 °C ... 80 °C  
 Medium temperature min./max.: -25 °C ... 80 °C  
 Working pressure min./max.: -0.95 bar ... 10 bar



Compressed air connection	Function	ATEX	Min. ambient temperature [°C]	Max. ambient temperature [°C]	Part No.
M14x1,5	NC/NO	Suitable for ATEX	-35	80	5710400090

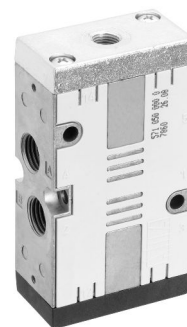
Dimensions in mm





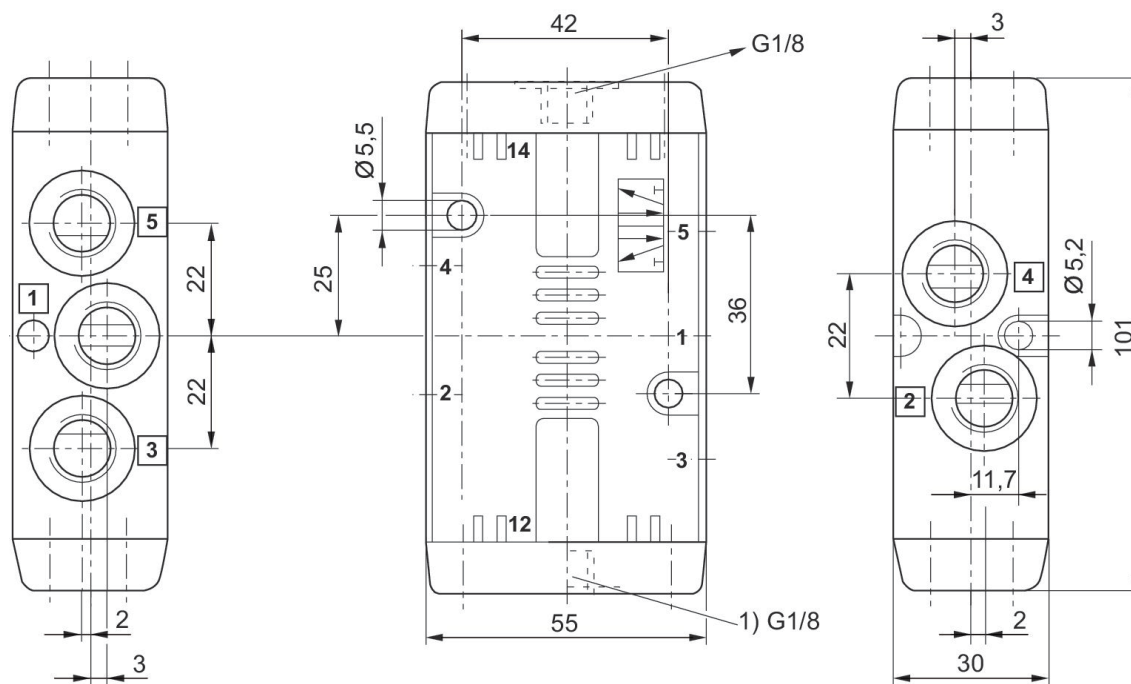
### 5/2-directional valve, Series CD07, single/double air Pilot

Flow: 1200 l/min  
 Activation: Pneumatically operated  
 Compressed air connection type: Internal thread  
 Compressed air connection input: G 1/4  
 Compressed air connection output: G 1/4  
 Compressed air connection, exhaust: G 1/4  
 Type: Spool valve, positive overlapping  
 Ambient temperature min./max.: -40 °C ... 70 °C  
 Medium temperature min./max.: -40 °C ... 70 °C  
 Working pressure min./max.: -0.95 bar ... 10 bar



	Compressed air connection	ATEX	Min. ambient temperature [°C]	Max. ambient temperature [°C]	Part No.
	G 1/4	Suitable for ATEX	-40	70	5710500190
	G 1/4	Suitable for ATEX	-40	70	5710501190

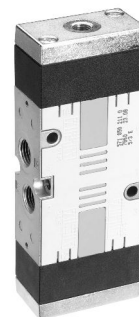
Dimensions in mm



1) Part No.: 5710501190

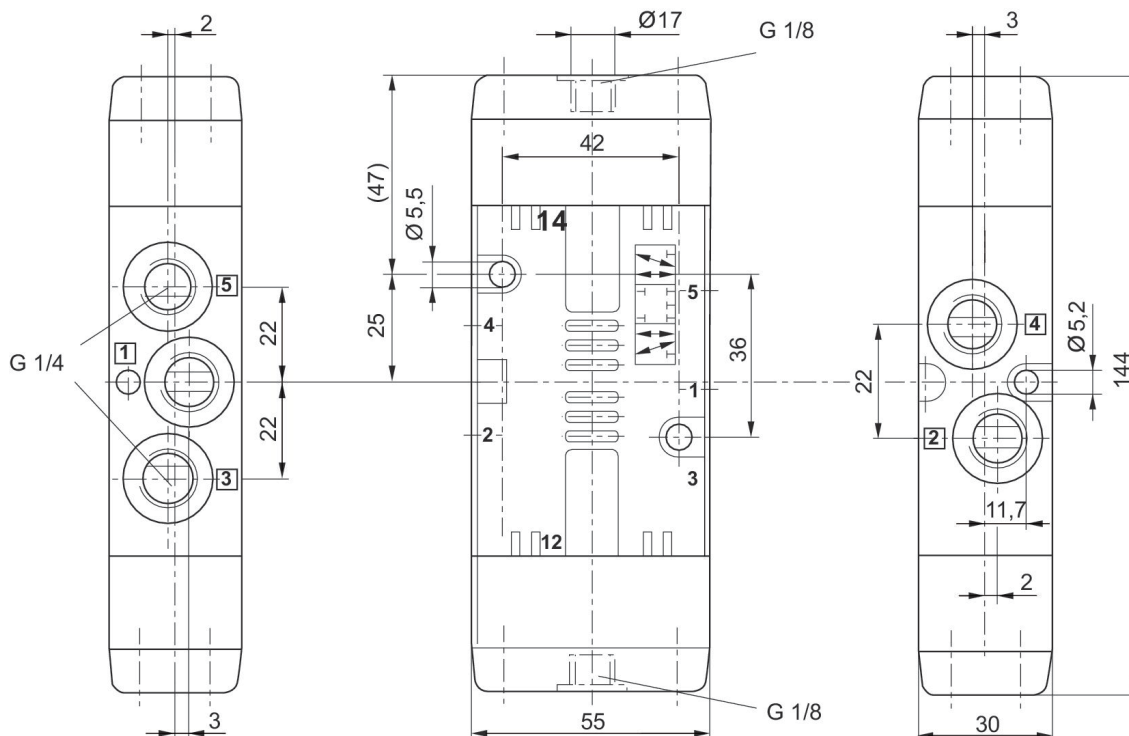
### 5/3-directional valve, Series CD07, Double Air Pilot

Flow: 900 l/min  
 Activation: Pneumatically operated  
 Actuating control: Double Air Pilot  
 Compressed air connection type: Internal thread  
 Min. control pressure: 3 bar  
 Max. control pressure: 10 bar  
 Type: Spool valve, positive overlapping  
 Ambient temperature min./max.: -25 °C ... 80 °C  
 Medium temperature min./max.: -25 °C ... 80 °C  
 Working pressure min./max.: -0.95 bar ... 10 bar



	Compressed air connection	Function	ATEX	Min. ambient temperature [°C]	Max. ambient temperature [°C]	Part No.
	M14x1,5	Pressurized Center	Suitable for ATEX	-25	80	R412008118
	G 1/4	Pressurized Center	Suitable for ATEX	-25	80	5710502100
	G 1/4	Exhausted Center	Suitable for ATEX	-25	80	5710502110
	G 1/4	Closed Center	Suitable for ATEX	-25	80	5710502120

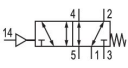
Dimensions in mm



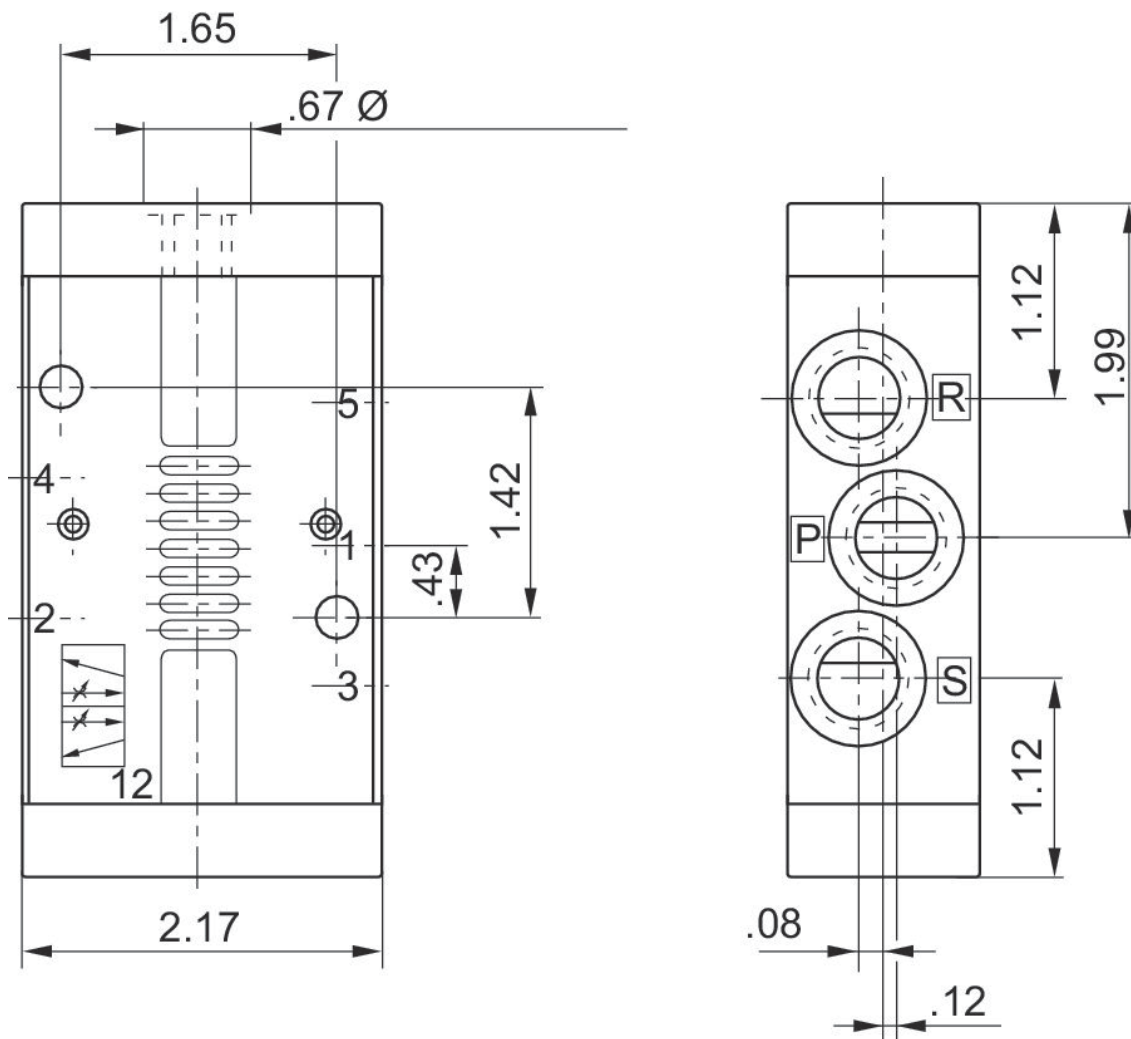
**5/2-directional valve, Series CD07, Single Air Pilot**

Flow: 1200 l/min  
 Activation: Pneumatically operated  
 Actuating control: Single Air Pilot  
 Qn 1 > 2: 1200 l/min  
 Compressed air connection type: Internal thread  
 Compressed air connection input: 1/4 NPT  
 Compressed air connection output: 1/4 NPT  
 Compressed air connection, exhaust: 1/4 NPT  
 Min. control pressure: 3 bar  
 Max. control pressure: 10 bar  
 Type: Spool valve, positive overlapping  
 Ambient temperature min./max.: -30 °C ... 80 °C  
 Medium temperature min./max.: -30 °C ... 80 °C  
 Working pressure min./max.: 10 bar



	Compressed air connection	Min. ambient temperature [°C]	Max. ambient temperature [°C]	Part No.
	1/4 NPT	-30	80	R432016611


Dimensions in inches



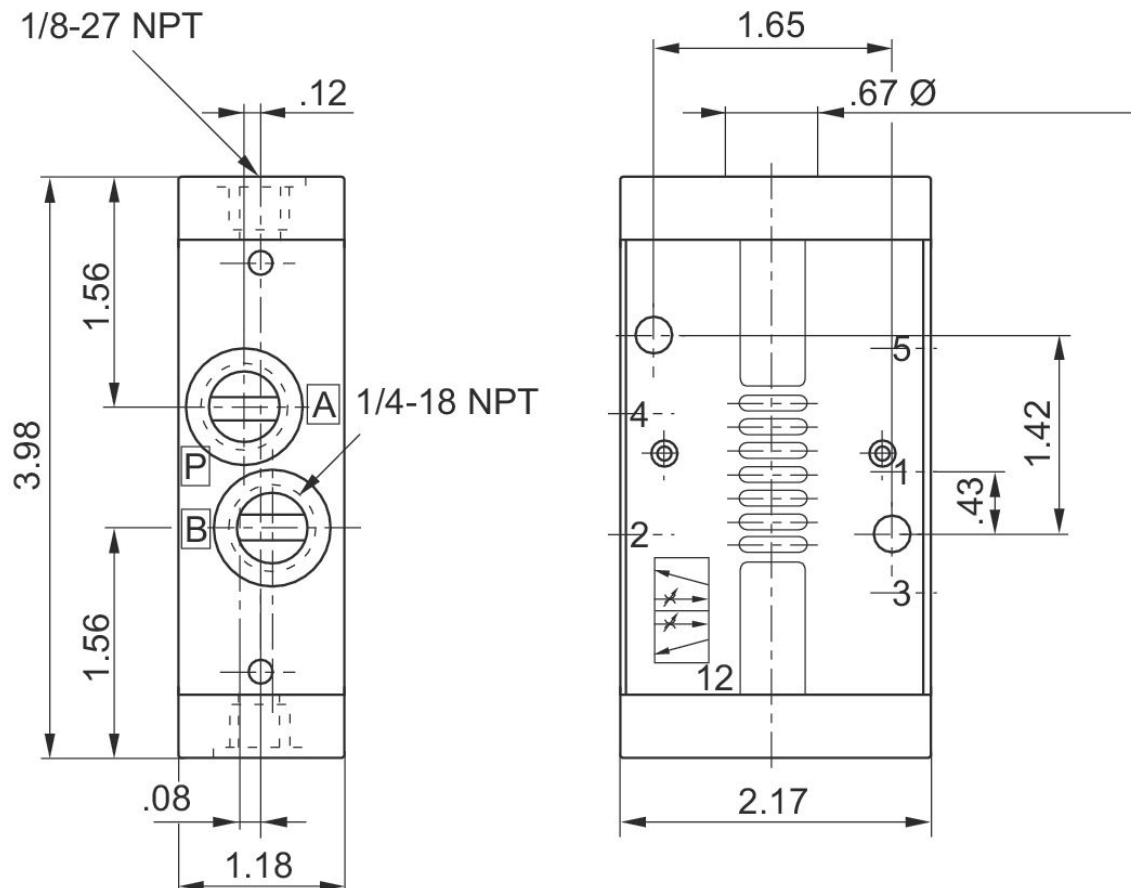
**5/2-directional valve, Series CD07, Double Air Pilot**

Flow: 1200 l/min  
 Activation: Pneumatically operated  
 Actuating control: Double Air Pilot  
 Qn 1 > 2: 1200 l/min  
 Compressed air connection type: Internal thread  
 Compressed air connection input: 1/4 NPT  
 Compressed air connection output: 1/4 NPT  
 Compressed air connection, exhaust: 1/4 NPT  
 Min. control pressure: 1.5 bar  
 Max. control pressure: 10 bar  
 Type: Spool valve, positive overlapping  
 Ambient temperature min./max.: -30 °C ... 80 °C  
 Medium temperature min./max.: -30 °C ... 80 °C  
 Working pressure min./max.: 10 bar



	Compressed air connection	Min. ambient temperature [°C]	Max. ambient temperature [°C]	Part No.
	1/4 NPT	-30	80	R432016610

Dimensions in inches



### 3/2-directional valve, Series CD07, Plunger

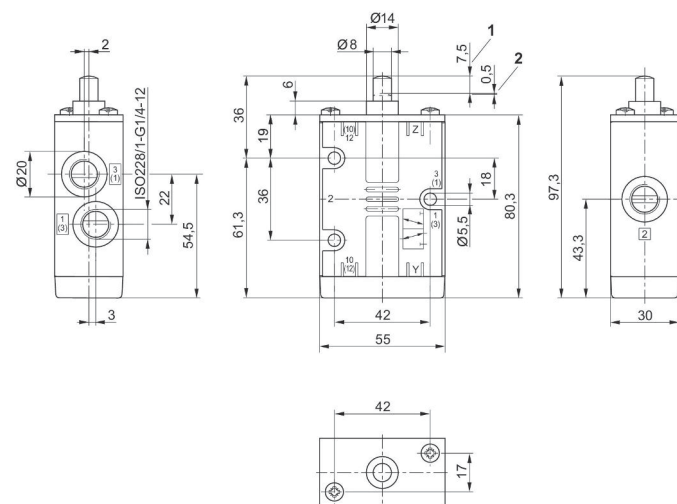
Flow: 1400 l/min  
 Activation: Mechanically operated  
 Compressed air connection type: Internal thread  
 Compressed air connection input: G 1/4  
 Compressed air connection output: G 1/4  
 Compressed air connection, exhaust: G 1/4  
 Type: Spool valve, positive overlapping  
 Ambient temperature min./max.: -25 °C ... 80 °C  
 Medium temperature min./max.: -25 °C ... 80 °C  
 Working pressure min./max.: -0.95 bar ... 10 bar



	Min. actuating force [N]	Function	ATEX	Min. ambient temperature [°C]	Max. ambient temperature [°C]	Part No.
	70	NC/NO	Suitable for ATEX	-25	80	5634400000
	70	NC/NO	Suitable for ATEX	-25	80	5634400100
	40	NC/NO	Suitable for ATEX	-25	80	5634409010

#### 5634400000, 5634400100

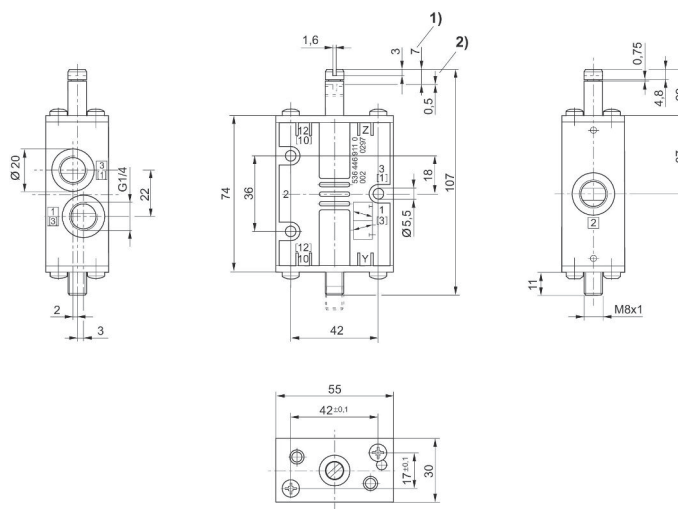
Dimensions in mm (Basic valve)



1) Stroke  
2) Overstroke

#### 5634409010

Dimensions in mm (Basic valve)



1) Stroke  
2) Overstroke

### 3/2-directional valve, Series CD07, Roller

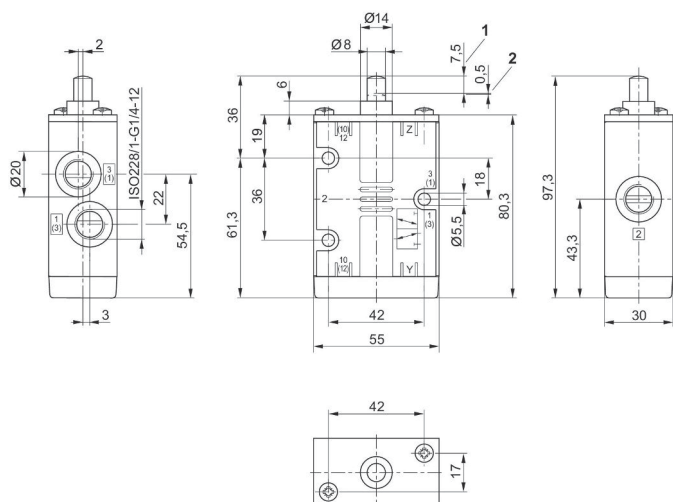
Flow: 1400 l/min  
 Activation: Mechanically operated  
 Compressed air connection type: Internal thread  
 Compressed air connection input: G 1/4  
 Compressed air connection output: G 1/4  
 Compressed air connection, exhaust: G 1/4  
 Type: Spool valve, positive overlapping  
 Ambient temperature min./max.: -25 °C ... 80 °C  
 Medium temperature min./max.: -25 °C ... 80 °C  
 Working pressure min./max.: -0.95 bar ... 10 bar



	Min. actuating force [N]	Function	ATEX	Min. ambient temperature [°C]	Max. ambient temperature [°C]	Part No.
	40	NC/NO	Suitable for ATEX	-25	80	5634410100
	40	NC/NO	Suitable for ATEX	-25	80	5634410000
	40	NC/NO	Suitable for ATEX	-25	80	5634411100

#### 5634410100, 5634410000

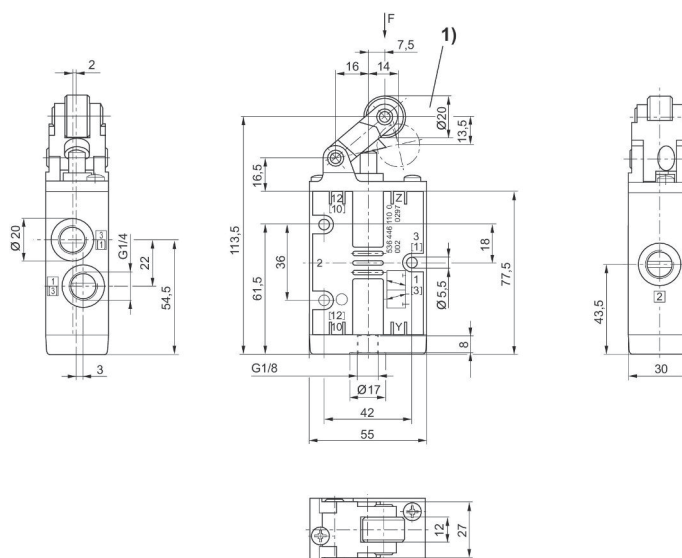
Dimensions in mm (Basic valve)



- 1) Stroke
- 2) Overstroke

#### 5634411100

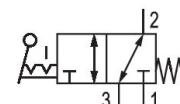
Dimensions in mm (Basic valve)



- 1) approach angle of rollers max. 30°

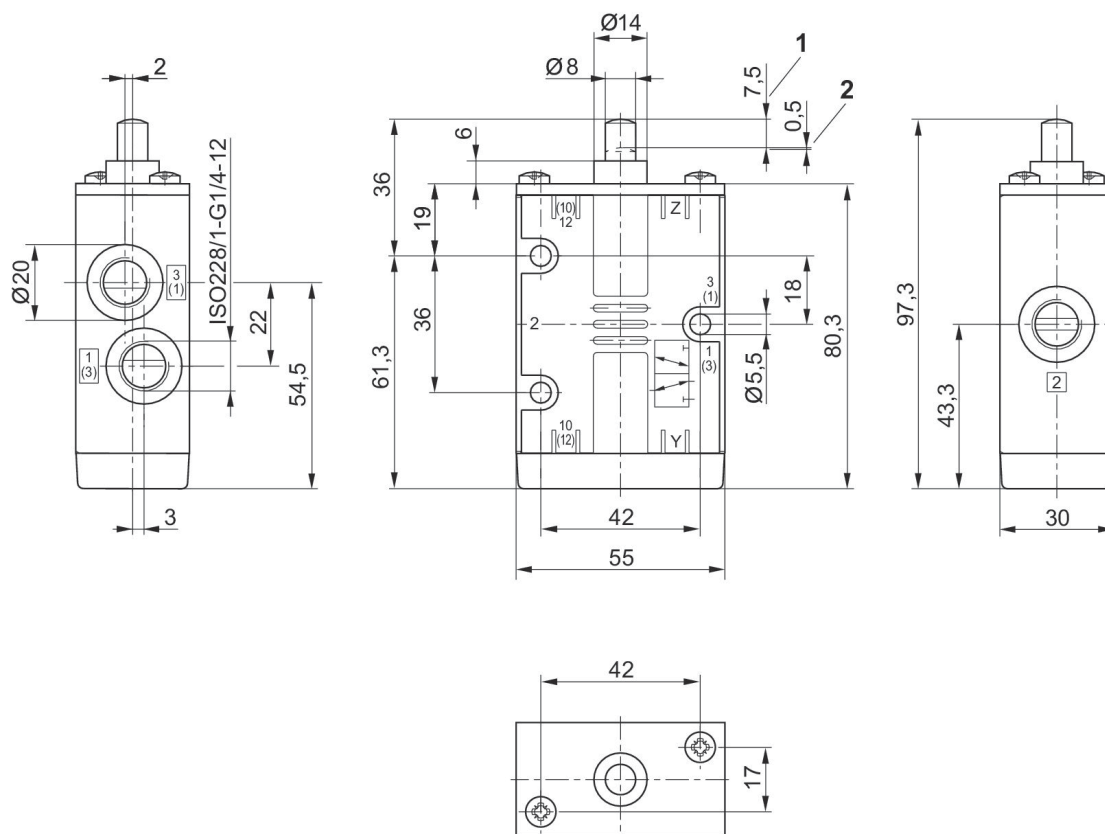
**3/2-directional valve, Series CD07, Hand lever, with detent, without detent**

Flow: 1400 l/min  
 Activation: Mechanically operated  
 Compressed air connection type: Internal thread  
 Compressed air connection input: G 1/4  
 Compressed air connection output: G 1/4  
 Compressed air connection, exhaust: G 1/4  
 Type: Spool valve, positive overlapping  
 Ambient temperature min./max.: -25 °C ... 80 °C  
 Medium temperature min./max.: -25 °C ... 80 °C  
 Working pressure min./max.: -0.95 bar ... 10 bar



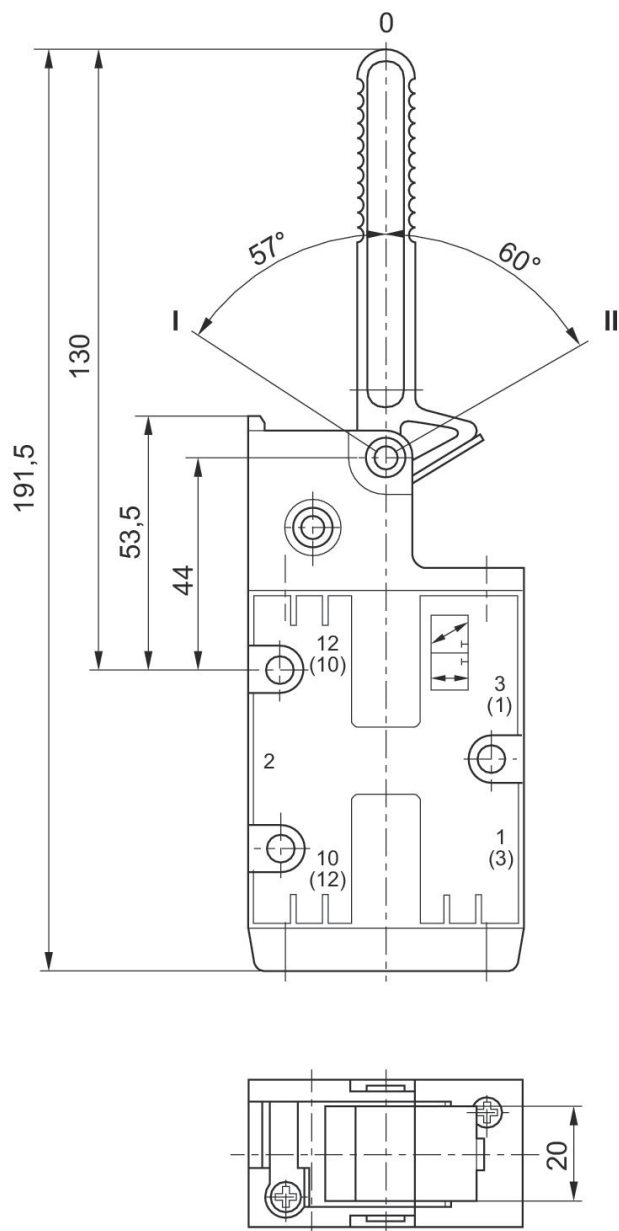
Min. actuating force [N]	Function	ATEX	Min. ambient temperature [°C]	Max. ambient temperature [°C]	Part No.
20	NC/NO	Suitable for ATEX	-25	80	5634430100

Dimensions in mm (Basic valve)



- 1) Stroke
- 2) Overstroke

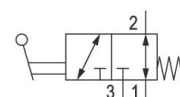
Dimensions in mm



Position 0: initial position, position I: with detent, manual return, position II: automatic spring return

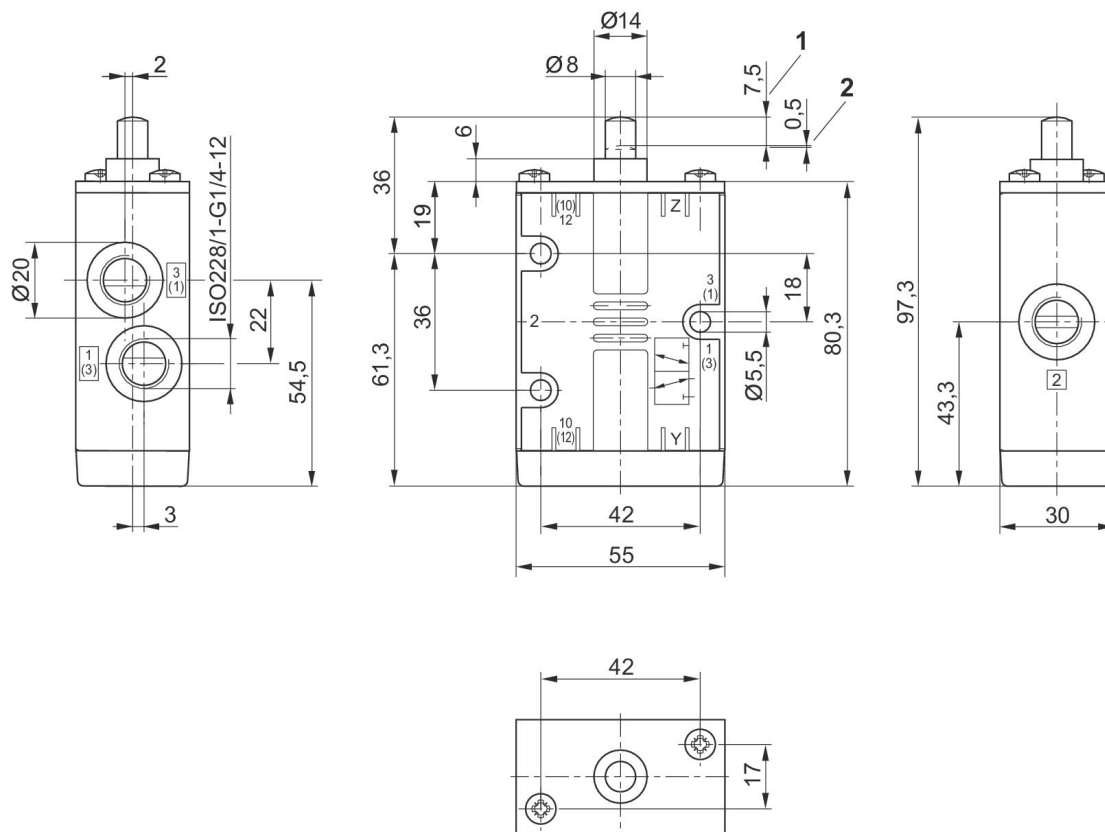
### 3/2-directional valve, Series CD07, Hand lever

Flow: 1400 l/min  
 Activation: Mechanically operated  
 Compressed air connection type: Internal thread  
 Compressed air connection input: G 1/4  
 Compressed air connection output: G 1/4  
 Compressed air connection, exhaust: G 1/4  
 Type: Spool valve, positive overlapping  
 Ambient temperature min./max.: -25 °C ... 80 °C  
 Medium temperature min./max.: -25 °C ... 80 °C  
 Working pressure min./max.: -0.95 bar ... 10 bar



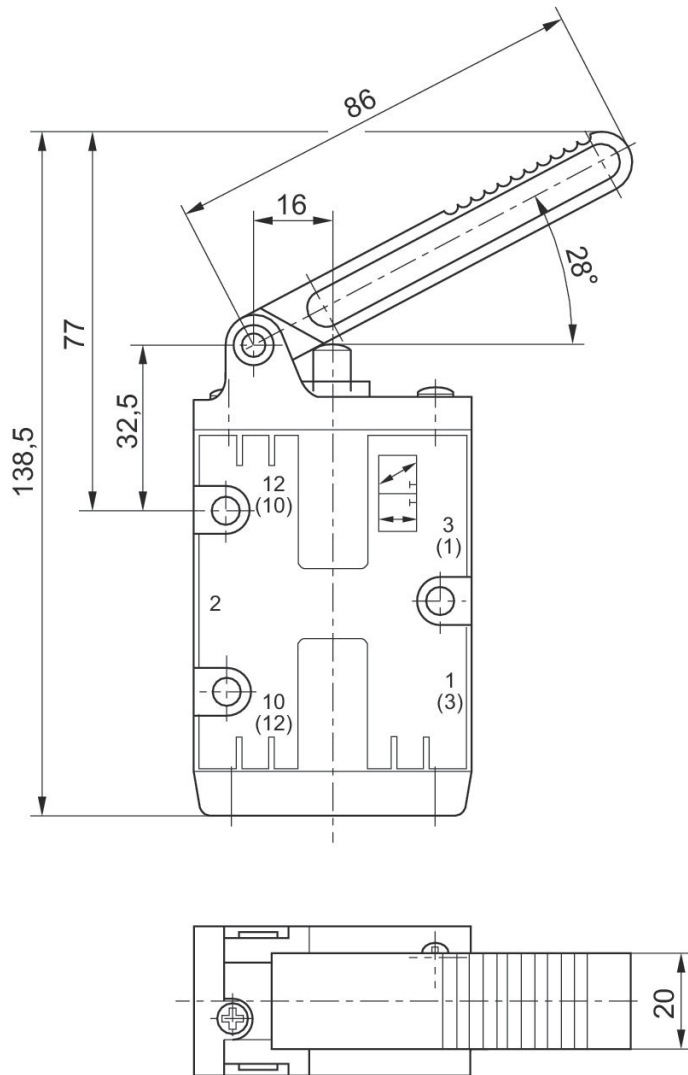
Min. actuating force [N]	Function	ATEX	Min. ambient temperature [°C]	Max. ambient temperature [°C]	Part No.
15	NC/NO	Suitable for ATEX	-25	80	5634440100

Dimensions in mm (Basic valve)



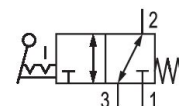
- 1) Stroke
- 2) Overstroke

Dimensions in mm



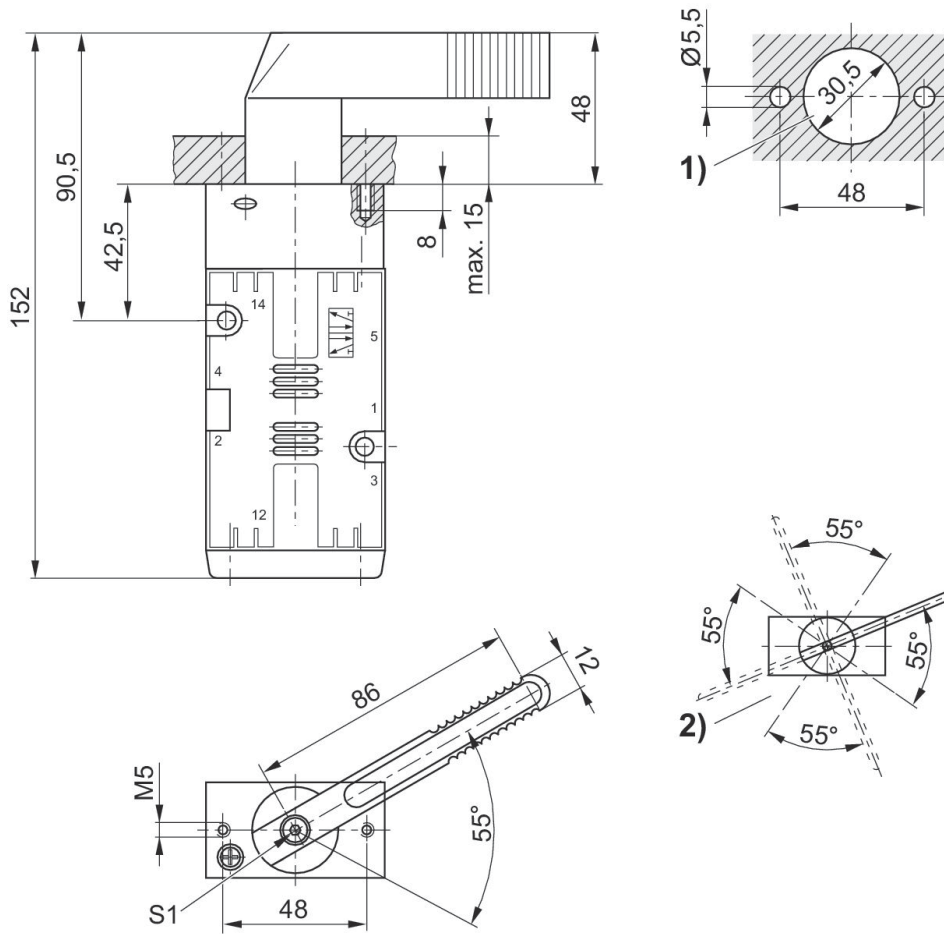
**3/2-directional valve, Series CD07, Lever, horizontal, with detent**

Flow: 1400 l/min  
 Activation: Mechanically operated  
 Compressed air connection type: Internal thread  
 Compressed air connection input: G 1/4  
 Compressed air connection output: G 1/4  
 Compressed air connection, exhaust: G 1/4  
 Type: Spool valve, positive overlapping  
 Ambient temperature min./max.: -25 °C ... 80 °C  
 Medium temperature min./max.: -25 °C ... 80 °C  
 Working pressure min./max.: -0.95 bar ... 10 bar



Min. actuating force [N]	Function	ATEX	Min. ambient temperature [°C]	Max. ambient temperature [°C]	Part No.
15	NC/NO	Suitable for ATEX	-25	80	5634450100

Dimensions in mm



1) Control panel installation (holes in mounting panel).

2) Possible lever positions (basic position of hand lever adjustable in 90° steps after loosening screw "S1").

### 3/2-directional valve, Series CD07, Button

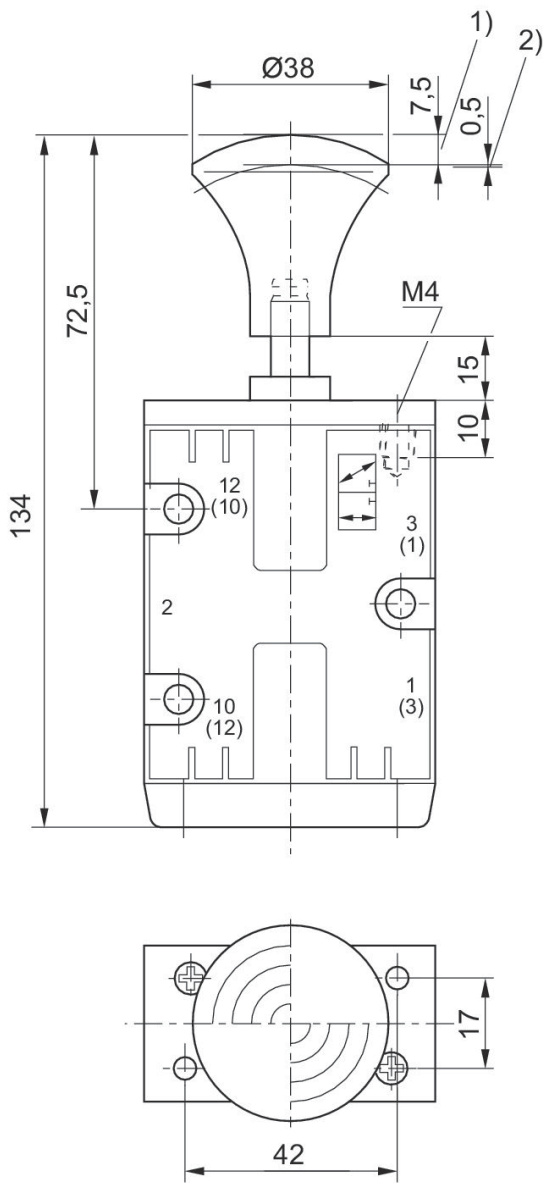
Flow: 1400 l/min  
 Activation: Mechanically operated  
 Compressed air connection type: Internal thread  
 Compressed air connection input: G 1/4  
 Compressed air connection output: G 1/4  
 Compressed air connection, exhaust: G 1/4  
 Type: Spool valve, positive overlapping  
 Ambient temperature min./max.: -25 °C ... 80 °C  
 Medium temperature min./max.: -25 °C ... 80 °C  
 Working pressure min./max.: -0.95 bar ... 10 bar



	Min. actuating force [N]	Function	ATEX	Min. ambient temperature [°C]	Max. ambient temperature [°C]	Part No.
	70	NC/NO	Suitable for ATEX	-25	80	5634460100
	70	NC/NO	Suitable for ATEX	-25	80	5634460000
	40	NC/NO	Suitable for ATEX	-25	80	5634461100
	40	NC/NO	Suitable for ATEX	-25	80	5634461000
	40	NC/NO	Suitable for ATEX	-25	80	5634469110



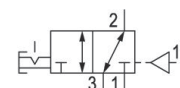
Dimensions in mm



- 1) Stroke
- 2) Overstroke

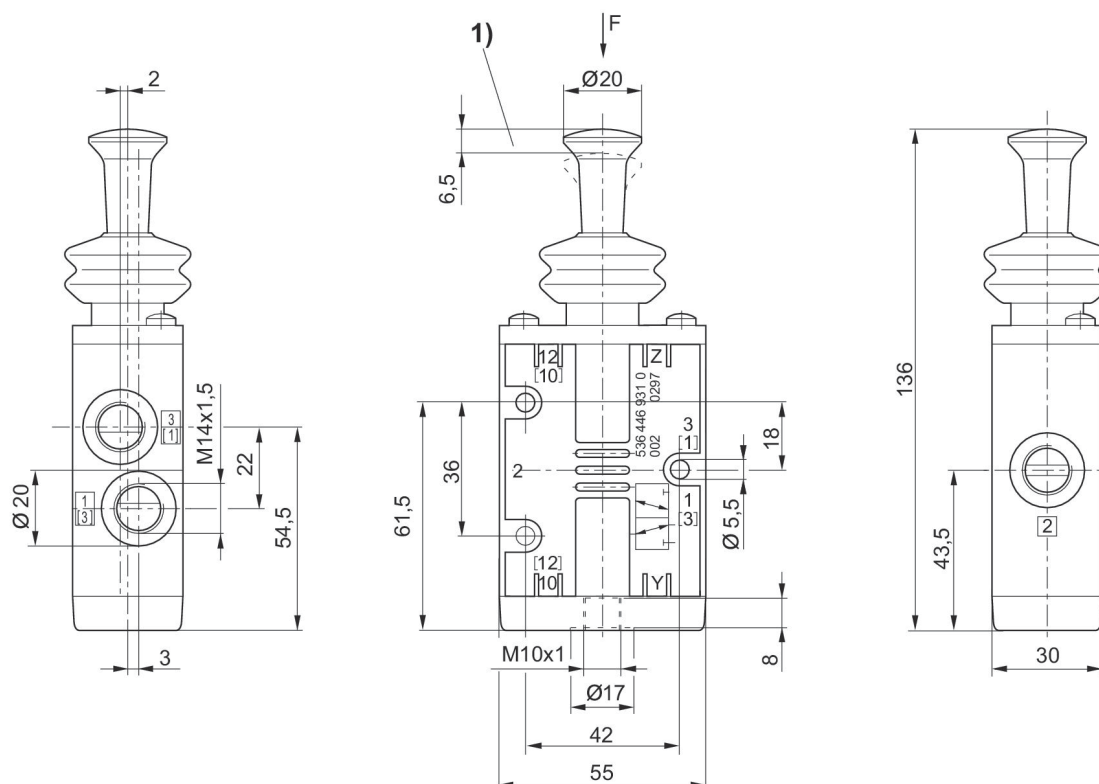
### 3/2-directional valve, Series CD07, Button, beige

Flow: 1400 l/min  
 Activation: Mechanically operated  
 Compressed air connection type: Internal thread  
 Compressed air connection input: G 1/4  
 Compressed air connection output: G 1/4  
 Compressed air connection, exhaust: G 1/4  
 Min. control pressure: 3 bar  
 Max. control pressure: 10 bar  
 Type: Spool valve, positive overlapping  
 Ambient temperature min./max.: -25 °C ... 80 °C  
 Medium temperature min./max.: -25 °C ... 80 °C  
 Working pressure min./max.: -0.95 bar ... 10 bar



Min. actuating force [N]	Function	ATEX	Min. ambient temperature [°C]	Max. ambient temperature [°C]	Part No.
40	NC/NO	Suitable for ATEX	-25	80	5634469310

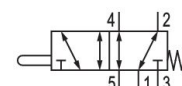
Dimensions in mm



1) Stroke

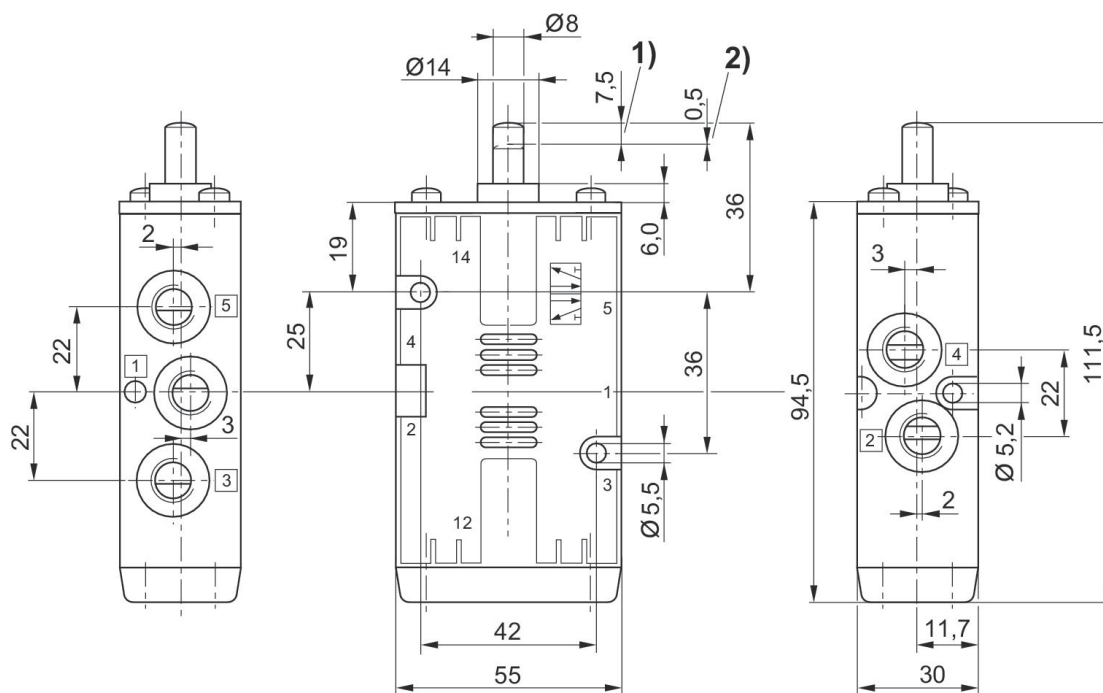
### 5/2-directional valve, Series CD07, Plunger

Flow: 1200 l/min  
 Activation: Mechanically operated  
 Compressed air connection type: Internal thread  
 Compressed air connection input: G 1/4  
 Compressed air connection output: G 1/4  
 Compressed air connection, exhaust: G 1/4  
 Type: Spool valve, positive overlapping  
 Ambient temperature min./max.: -25 °C ... 80 °C  
 Medium temperature min./max.: -25 °C ... 80 °C  
 Working pressure min./max.: -0.95 bar ... 10 bar



Min. actuating force [N]	ATEX	Min. ambient temperature [°C]	Max. ambient temperature [°C]	Part No.
70	Suitable for ATEX	-25	80	5634600100

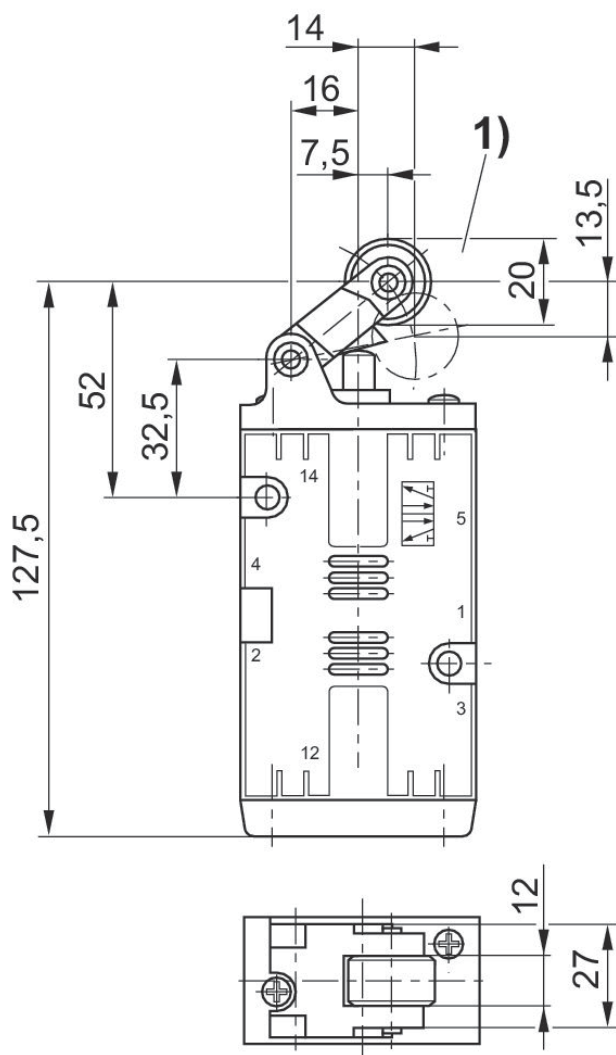
Dimensions in mm (Basic valve)



1) Stroke  
2) Overstroke



Dimensions in mm



1) approach angle of rollers max. 30°

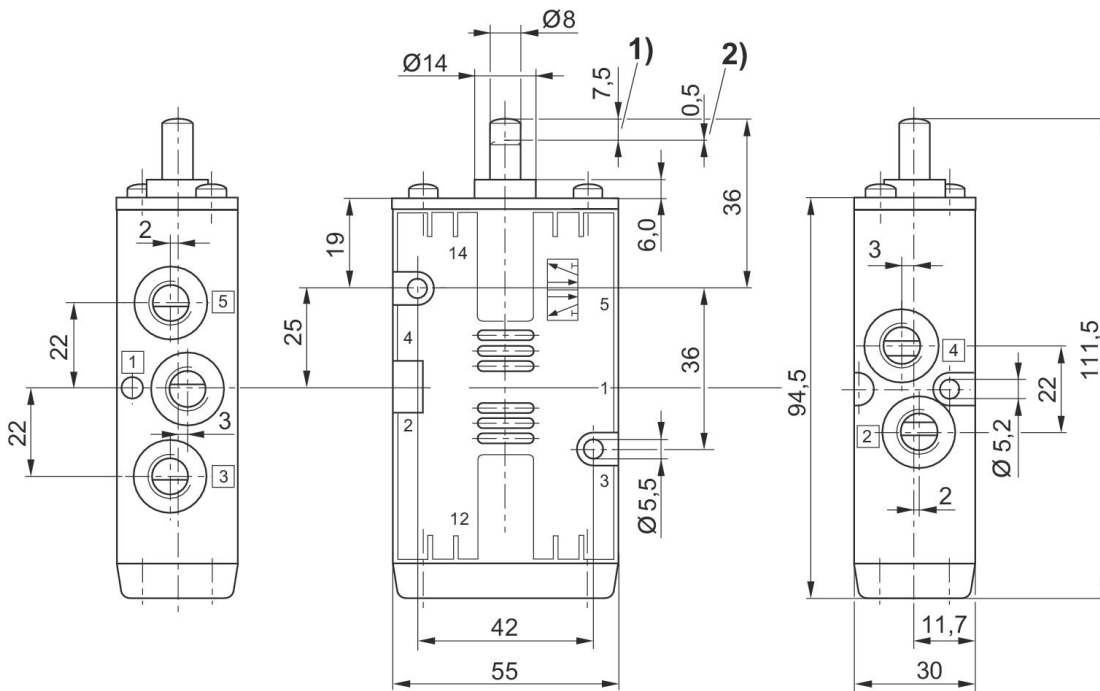
**5/2-directional valve, Series CD07, Hand lever, with detent, without detent**

Flow: 1200 l/min  
 Activation: Mechanically operated  
 Compressed air connection type: Internal thread  
 Compressed air connection input: G 1/4  
 Compressed air connection output: G 1/4  
 Compressed air connection, exhaust: G 1/4  
 Type: Spool valve, positive overlapping  
 Ambient temperature min./max.: -25 °C ... 80 °C  
 Medium temperature min./max.: -25 °C ... 80 °C  
 Working pressure min./max.: -0.95 bar ... 10 bar



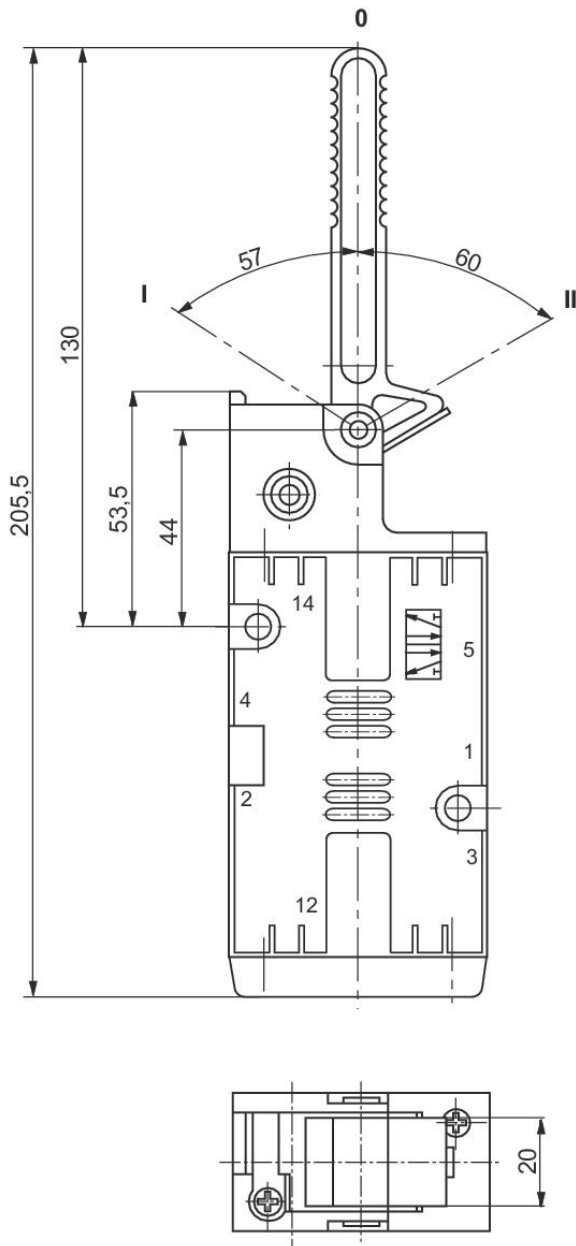
Min. actuating force [N]	ATEX	Min. ambient temperature [°C]	Max. ambient temperature [°C]	Part No.
20	Suitable for ATEX	-25	80	5634630100

Dimensions in mm (Basic valve)



- 1) Stroke
- 2) Overstroke

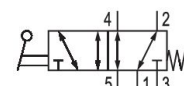
Dimensions in mm



Position 0: initial position, position I: with detent, manual return, position II: automatic spring return

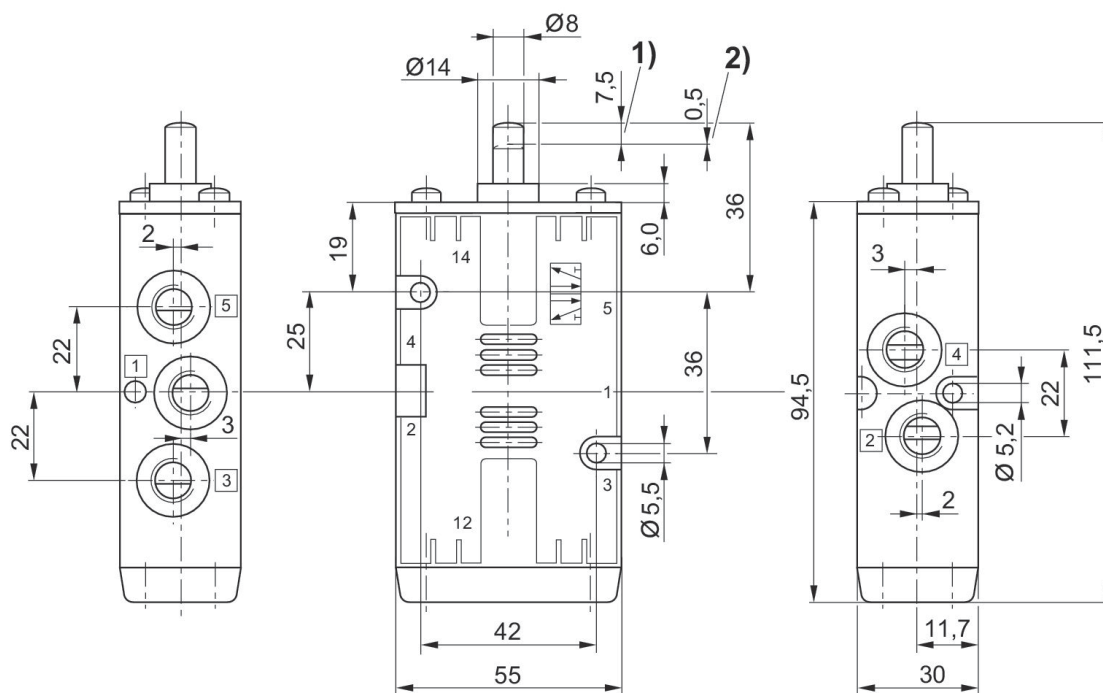
### 5/2-directional valve, Series CD07, Hand lever

Flow: 1200 l/min  
 Activation: Mechanically operated  
 Compressed air connection type: Internal thread  
 Compressed air connection input: G 1/4  
 Compressed air connection output: G 1/4  
 Compressed air connection, exhaust: G 1/4  
 Type: Spool valve, positive overlapping  
 Ambient temperature min./max.: -25 °C ... 80 °C  
 Medium temperature min./max.: -25 °C ... 80 °C  
 Working pressure min./max.: -0.95 bar ... 10 bar



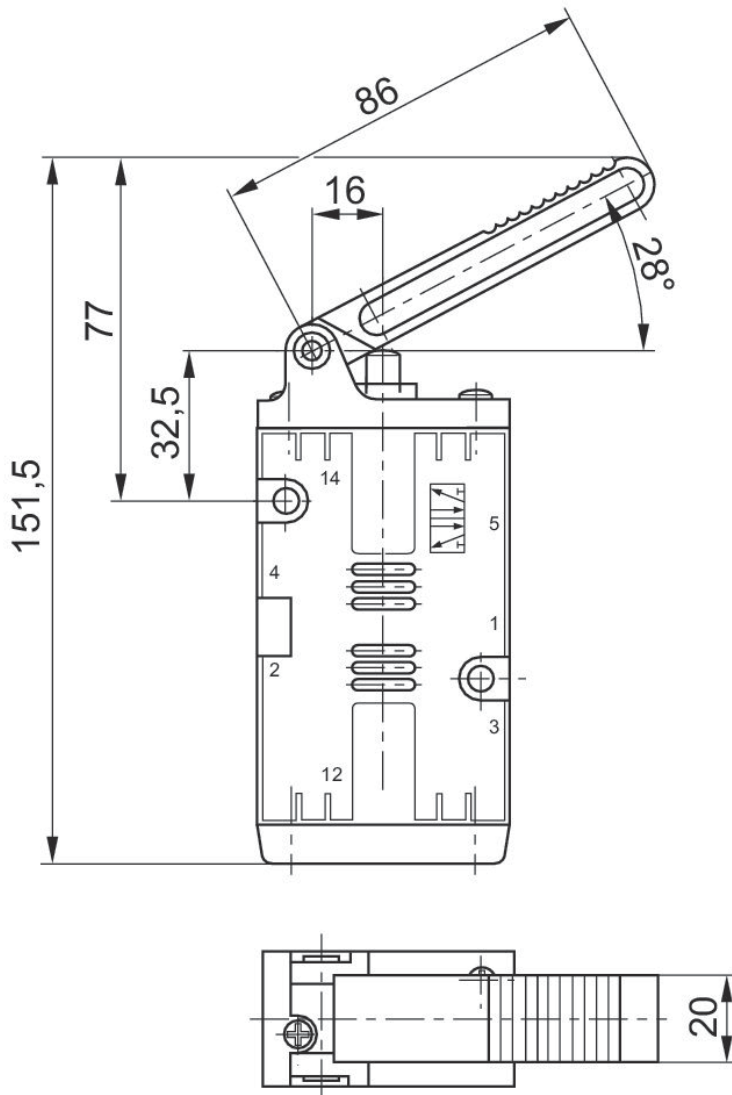
Min. actuating force [N]	ATEX	Min. ambient temperature [°C]	Max. ambient temperature [°C]	Part No.
15	Suitable for ATEX	-25	80	5634640100

Dimensions in mm (Basic valve)



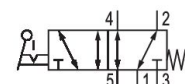
- 1) Stroke
- 2) Overstroke

Dimensions in mm



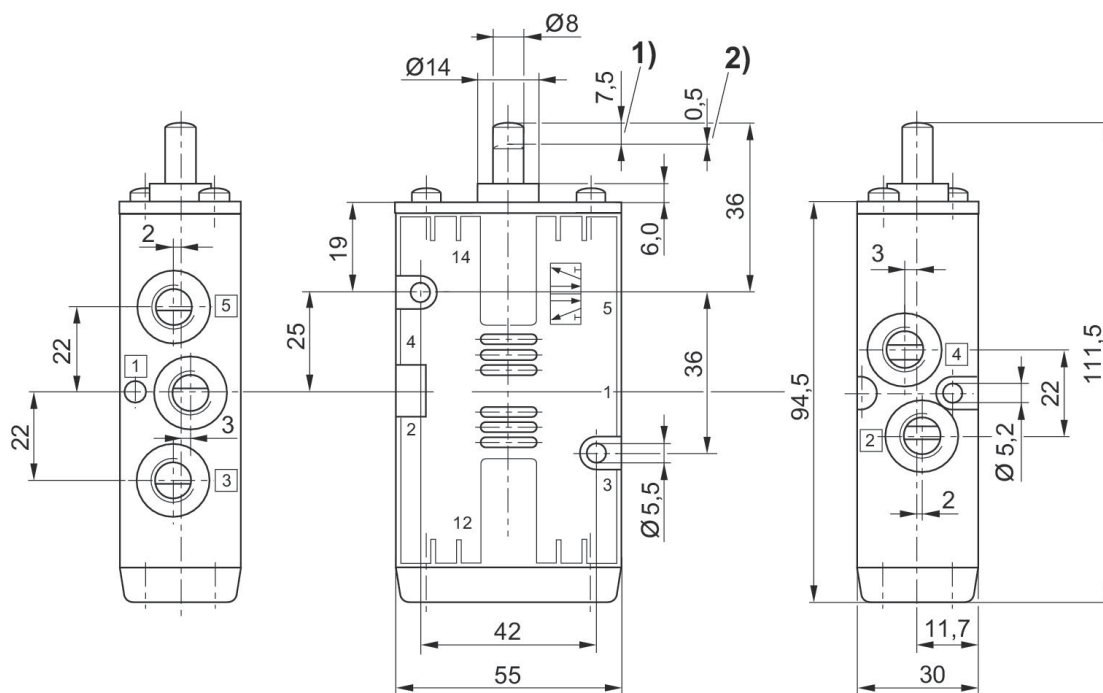
**5/2-directional valve, Series CD07, Rotary lever, with detent**

Flow: 1200 l/min  
 Activation: Mechanically operated  
 Compressed air connection type: Internal thread  
 Compressed air connection input: G 1/4  
 Compressed air connection output: G 1/4  
 Compressed air connection, exhaust: G 1/4  
 Type: Spool valve, positive overlapping  
 Ambient temperature min./max.: -25 °C ... 80 °C  
 Medium temperature min./max.: -25 °C ... 80 °C  
 Working pressure min./max.: -0.95 bar ... 10 bar



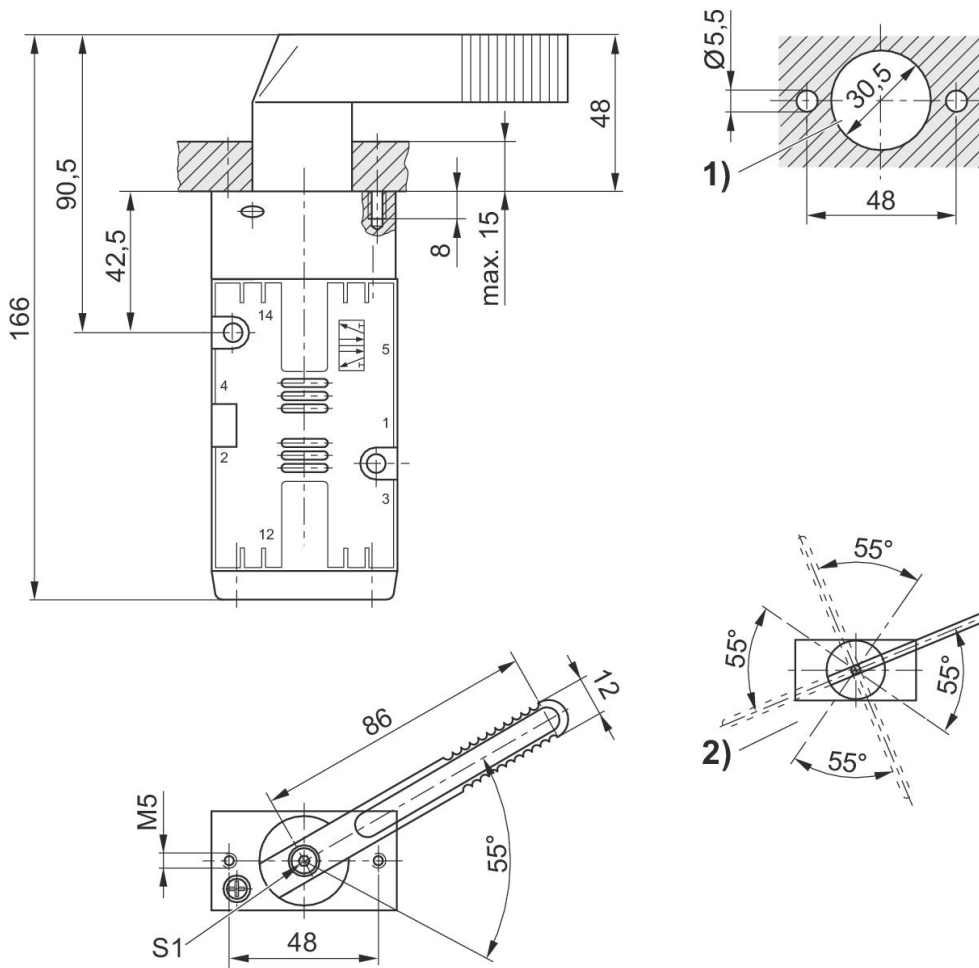
Min. actuating force [N]	ATEX	Min. ambient temperature [°C]	Max. ambient temperature [°C]	Part No.
15	Suitable for ATEX	-25	80	5634650100

Dimensions in mm (Basic valve)



1) Stroke  
 2) Overstroke

Dimensions in mm



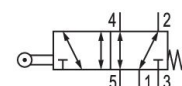
1) Control panel installation (holes in mounting panel).

2) Possible lever positions (basic position of hand lever adjustable in 90° steps after loosening screw "S1").



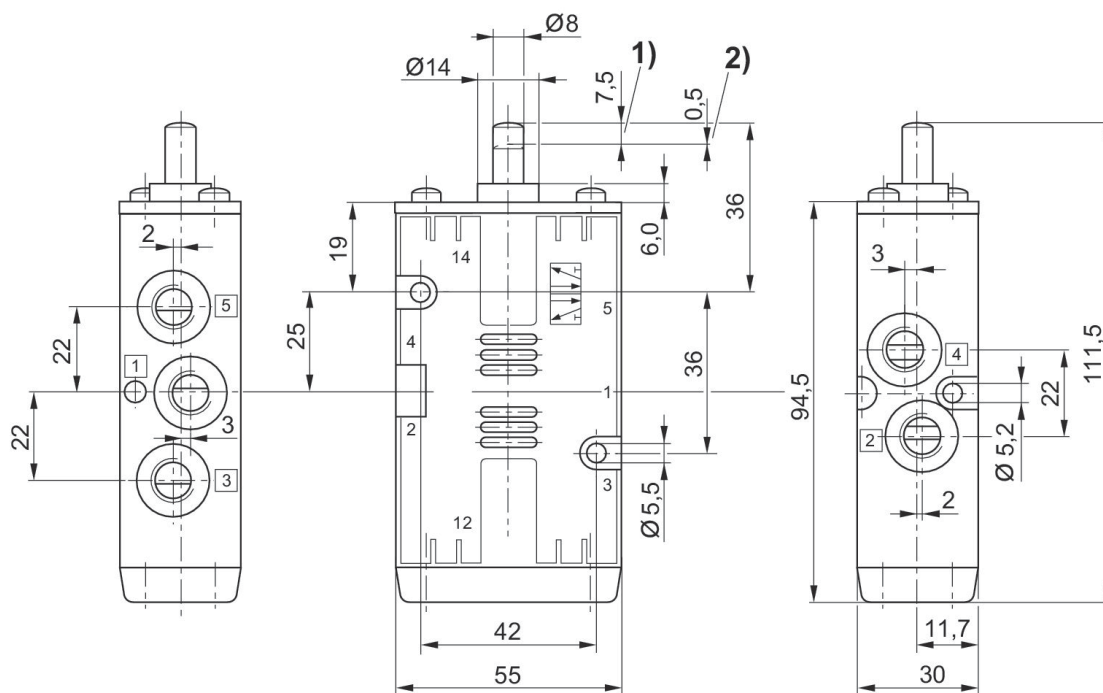
**5/2-directional valve, Series CD07, Roller, -40 °C cold-resistant**

Flow: 1200 l/min  
 Activation: Mechanically operated  
 Compressed air connection type: Internal thread  
 Compressed air connection input: G 1/4  
 Compressed air connection output: G 1/4  
 Compressed air connection, exhaust: G 1/4  
 Type: Spool valve, positive overlapping  
 Ambient temperature min./max.: -40 °C ... 70 °C  
 Medium temperature min./max.: -40 °C ... 70 °C  
 Working pressure min./max.: -0.95 bar ... 10 bar



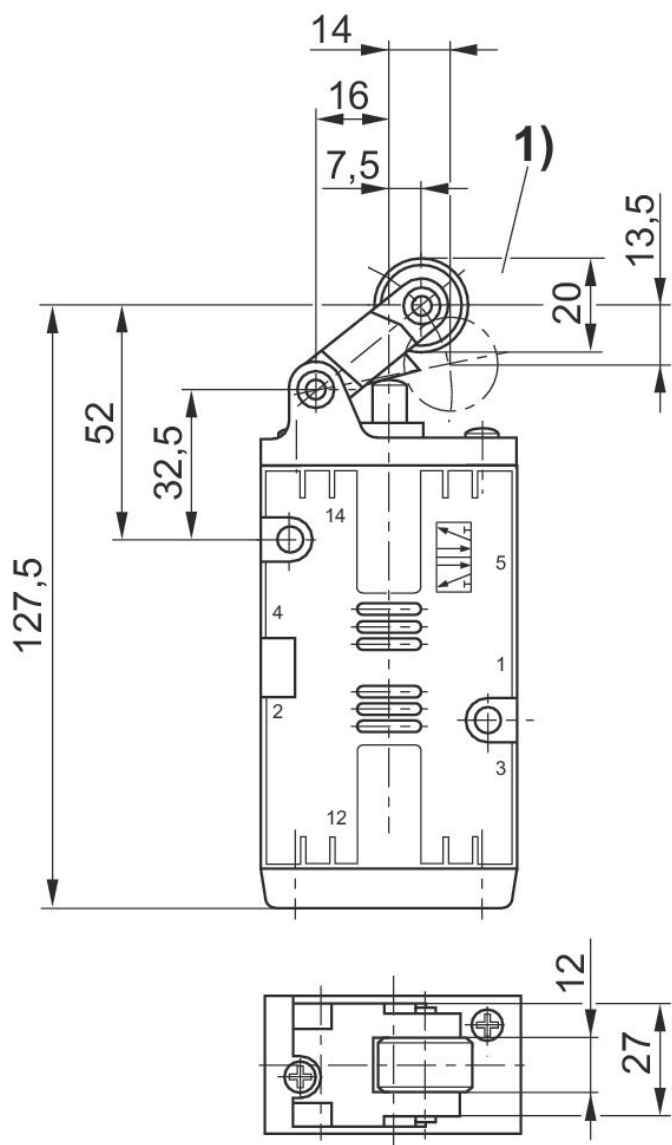
Min. actuating force [N]	ATEX	Min. ambient temperature [°C]	Max. ambient temperature [°C]	Part No.
52	Suitable for ATEX	-40	70	5634610190

Dimensions in mm (Basic valve)



1) Stroke  
2) Overstroke

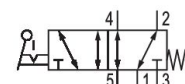
Dimensions in mm



1) approach angle of rollers max. 30°

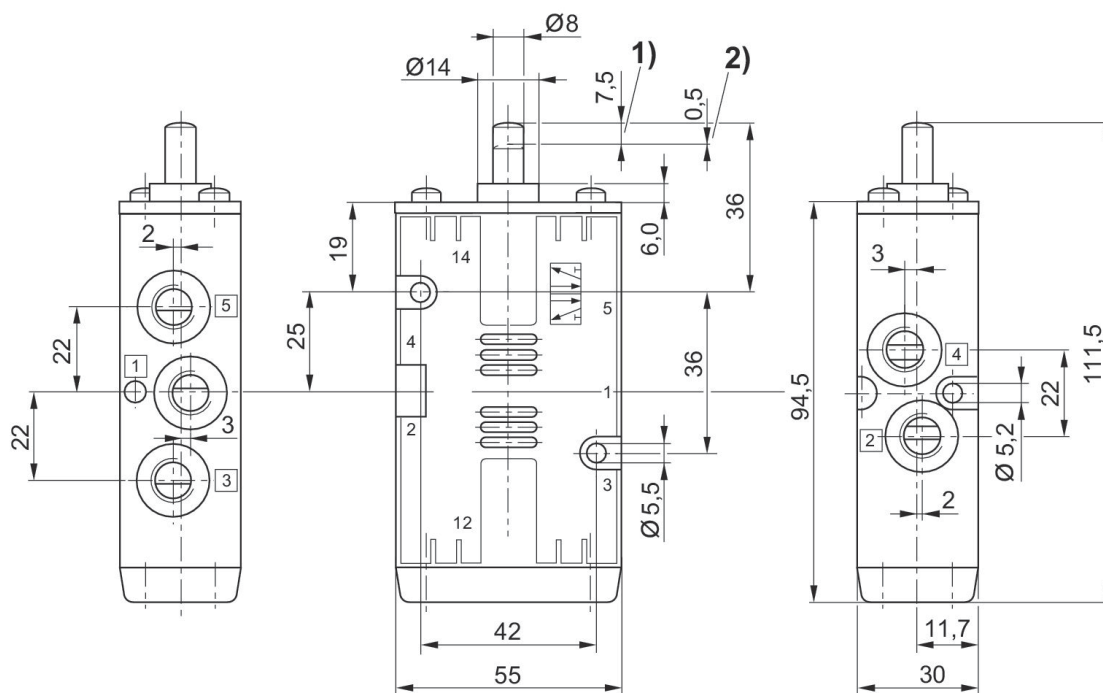
**5/2-directional valve, Series CD07, Hand lever, -40 °C cold-resistant**

Flow: 1200 l/min  
 Activation: Mechanically operated  
 Compressed air connection type: Internal thread  
 Compressed air connection input: G 1/4  
 Compressed air connection output: G 1/4  
 Compressed air connection, exhaust: G 1/4  
 Type: Spool valve, positive overlapping  
 Ambient temperature min./max.: -40 °C ... 70 °C  
 Medium temperature min./max.: -40 °C ... 70 °C  
 Working pressure min./max.: -0.95 bar ... 10 bar



Min. actuating force [N]	ATEX	Min. ambient temperature [°C]	Max. ambient temperature [°C]	Part No.
26	Suitable for ATEX	-40	70	5634630190

Dimensions in mm (Basic valve)

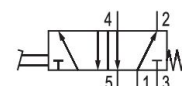
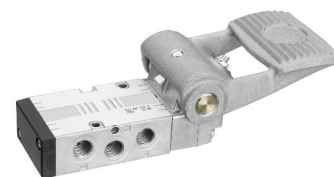


- 1) Stroke
- 2) Overstroke



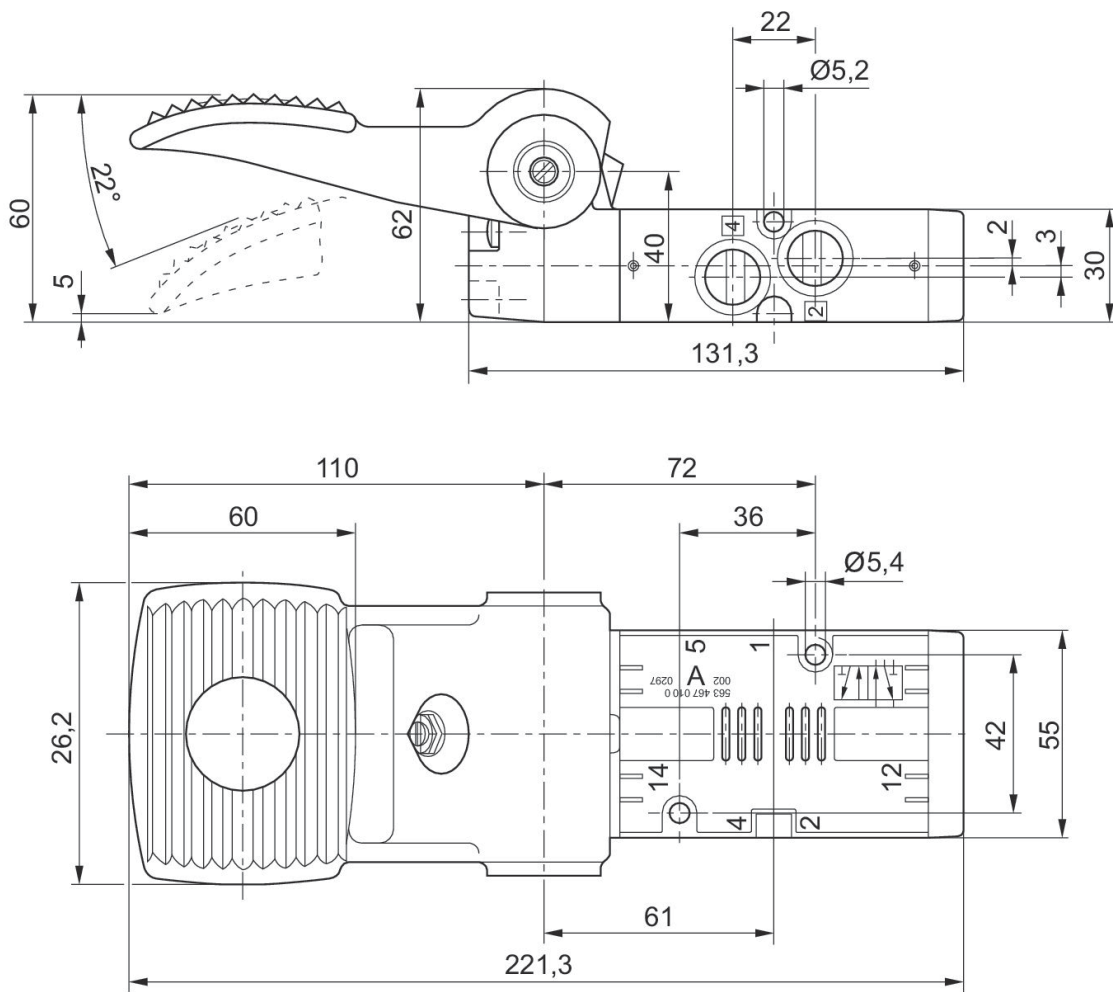
**5/2-directional valve, Series CD07, foot pedal**

Flow: 1200 l/min  
 Activation: Mechanically operated  
 Compressed air connection type: Internal thread  
 Compressed air connection input: G 1/4  
 Compressed air connection output: G 1/4  
 Compressed air connection, exhaust: G 1/4  
 Type: Spool valve, positive overlapping  
 Ambient temperature min./max.: -25 °C ... 80 °C  
 Medium temperature min./max.: -25 °C ... 80 °C  
 Working pressure min./max.: -0.95 bar ... 10 bar



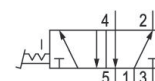
Min. actuating force [N]	Function	ATEX	Min. ambient temperature [°C]	Max. ambient temperature [°C]	Part No.
40	NO	Suitable for ATEX	-25	80	5634670100

Dimensions in mm



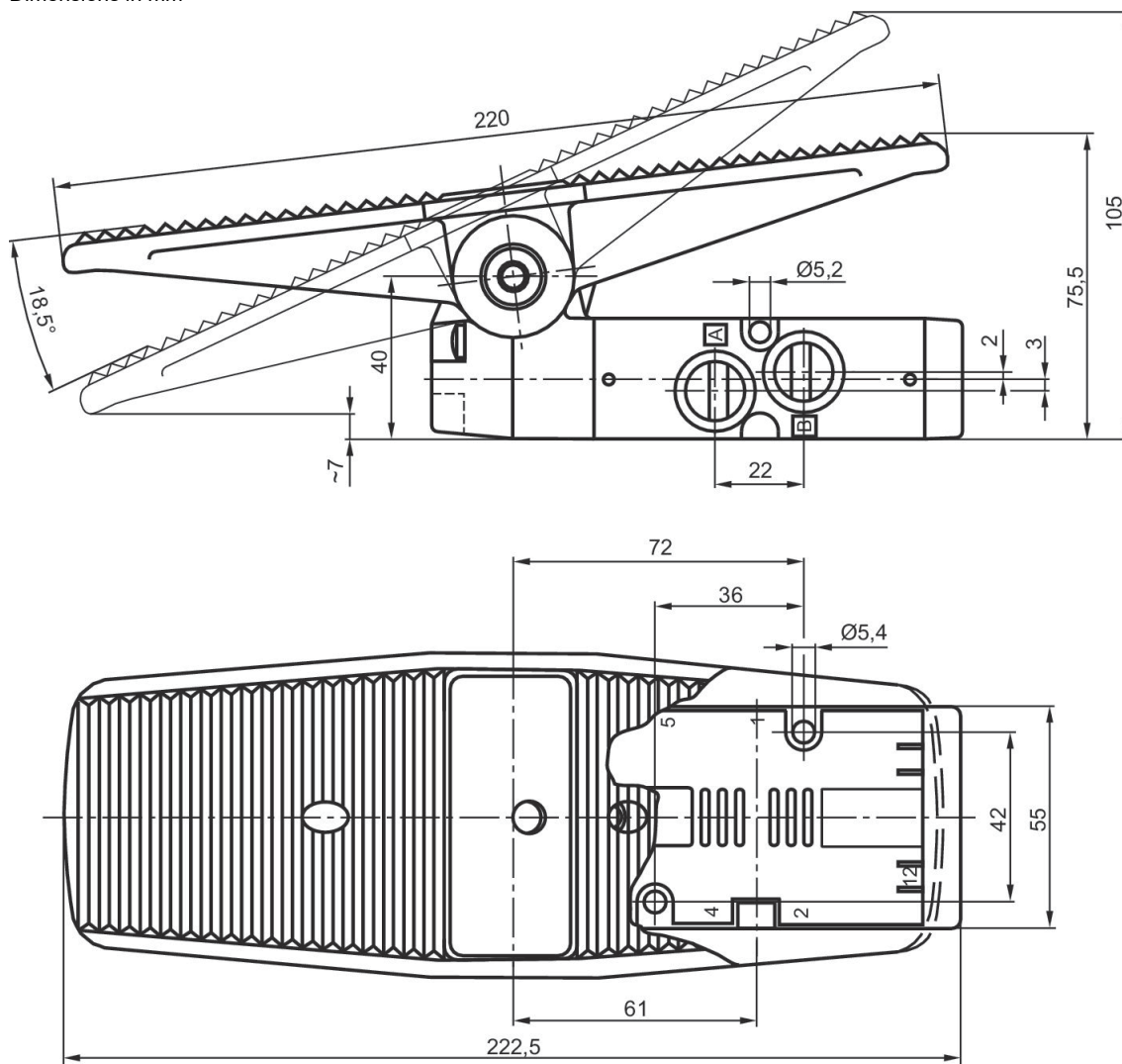
**5/2-directional valve, Series CD07, foot pedal with detent**

Flow: 1200 l/min  
 Activation: Mechanically operated  
 Compressed air connection type: Internal thread  
 Compressed air connection input: G 1/4  
 Compressed air connection output: G 1/4  
 Compressed air connection, exhaust: G 1/4  
 Type: Spool valve, positive overlapping  
 Ambient temperature min./max.: -25 °C ... 80 °C  
 Medium temperature min./max.: -25 °C ... 80 °C  
 Working pressure min./max.: -0.95 bar ... 10 bar



Min. actuating force [N]	Function	ATEX	Min. ambient temperature [°C]	Max. ambient temperature [°C]	Part No.
40	NO	Suitable for ATEX	-25	80	5634695100

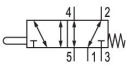
Dimensions in mm



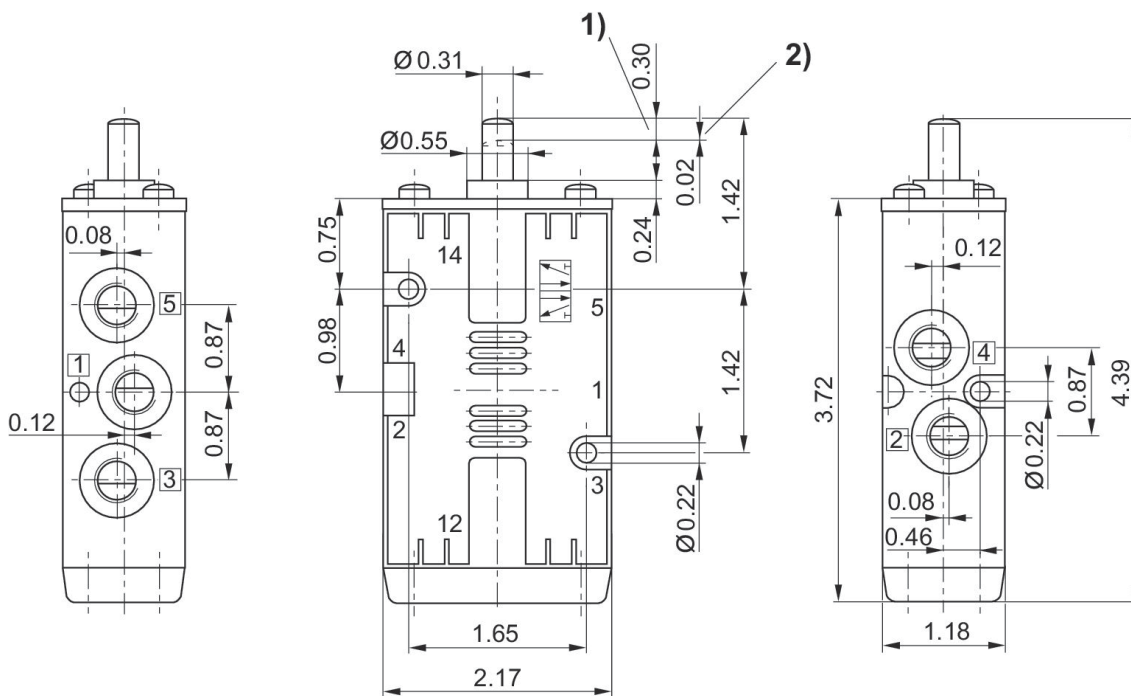
**5/2-directional valve, Series CD07, Plunger**

Flow: 1200 l/min  
 Activation: Mechanically operated  
 Qn 1 > 2: 1200 l/min  
 Compressed air connection type: Internal thread  
 Compressed air connection input: 1/4 NPT  
 Compressed air connection output: 1/4 NPT  
 Compressed air connection, exhaust: 1/4 NPT  
 Min. control pressure: -0.95 bar  
 Max. control pressure: 10 bar  
 Ambient temperature min./max.: -25 °C ... 80 °C  
 Medium temperature min./max.: -25 °C ... 80 °C  
 Working pressure min./max.: -0.95 bar ... 10 bar



	Min. actuating force [N]	Compressed air connection	Min. ambient temperature [°C]	Max. ambient temperature [°C]	Part No.
	70	1/4 NPT	-25	80	R432016625

Dimensions in inches

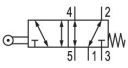


1) Stroke 2) Overstroke  
 Dimensions of basic valve apply to all types of actuation.

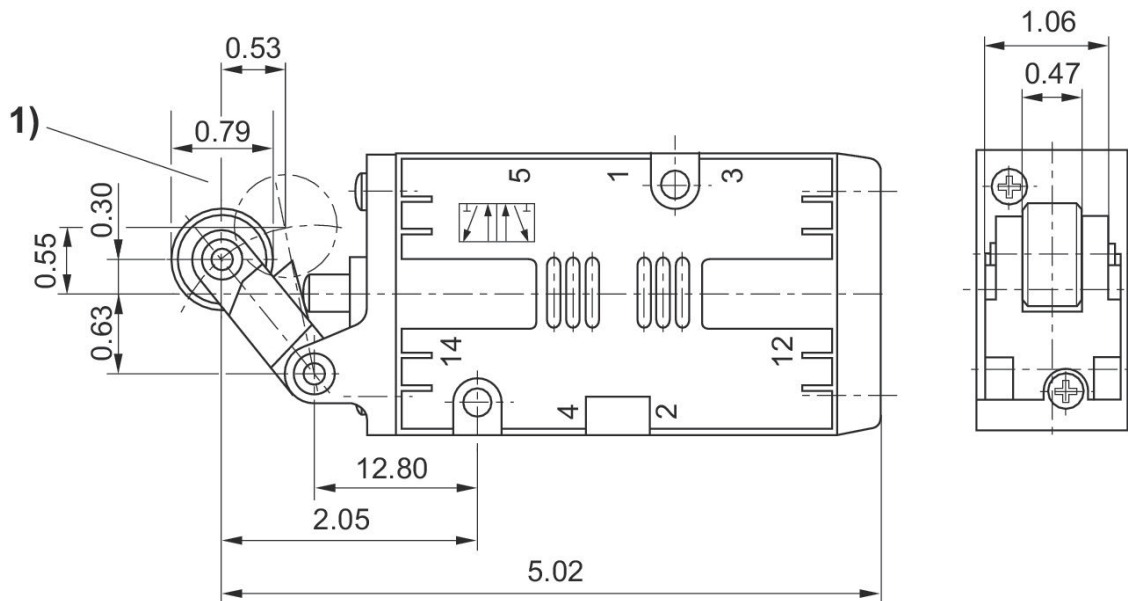
**5/2-directional valve, Series CD07, Roller**

Flow: 1200 l/min  
 Activation: Mechanically operated  
 Qn 1 > 2: 1200 l/min  
 Compressed air connection type: Internal thread  
 Compressed air connection input: 1/4 NPT  
 Compressed air connection output: 1/4 NPT  
 Compressed air connection, exhaust: 1/4 NPT  
 Min. control pressure: -0.95 bar  
 Max. control pressure: 10 bar  
 Ambient temperature min./max.: -25 °C ... 80 °C  
 Medium temperature min./max.: -25 °C ... 80 °C  
 Working pressure min./max.: -0.95 bar ... 10 bar



	Min. actuating force [N]	Compressed air connection	Min. ambient temperature [°C]	Max. ambient temperature [°C]	Part No.
	40	1/4 NPT	-25	80	R432016623

Dimensions in inches




1) approach angle of rollers max. 30°

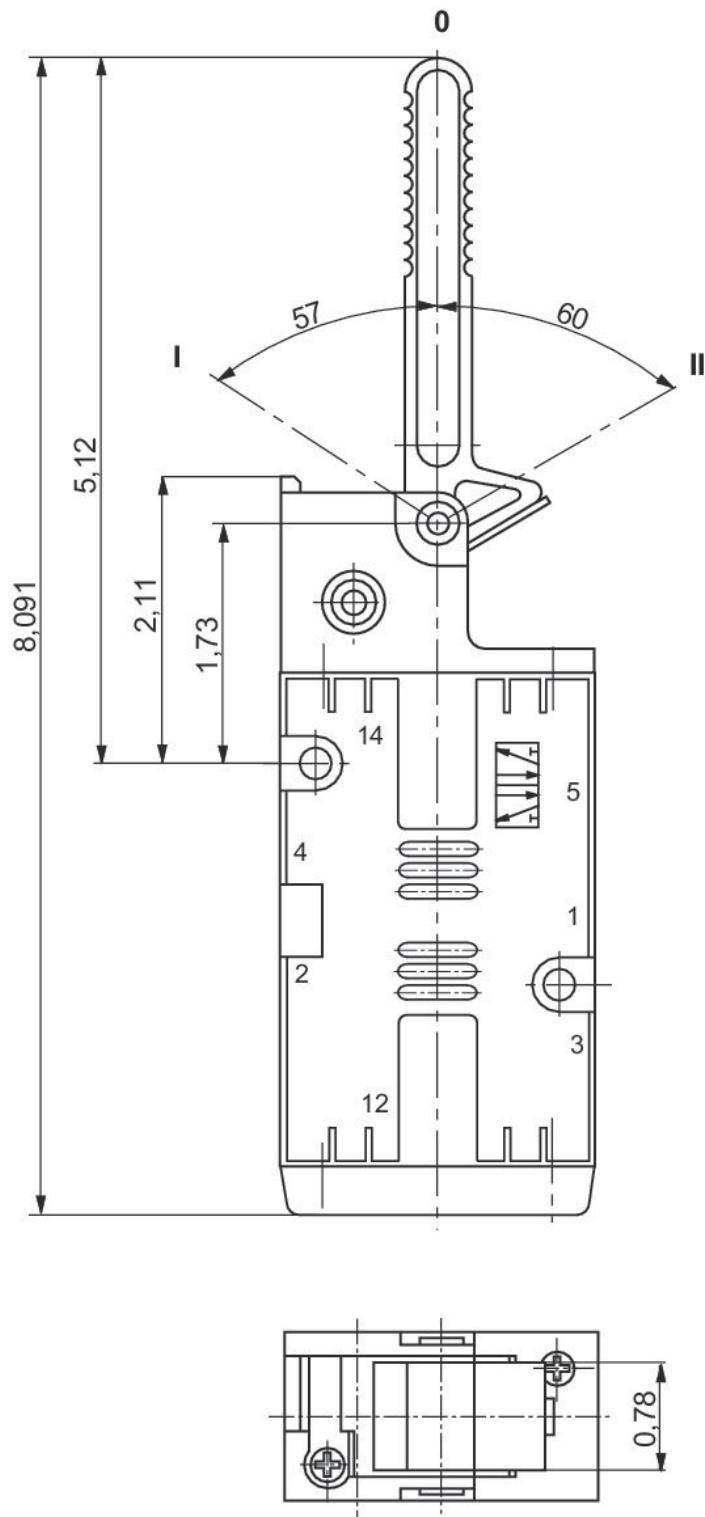
**5/2-directional valve, Series CD07, Hand lever, with detent, without detent**

Flow: 1200 l/min  
 Activation: Mechanically operated  
 Qn 1 > 2: 1200 l/min  
 Compressed air connection type: Internal thread  
 Compressed air connection input: 1/4 NPT  
 Compressed air connection output: 1/4 NPT  
 Compressed air connection, exhaust: 1/4 NPT  
 Min. control pressure: -0.95 bar  
 Max. control pressure: 10 bar  
 Ambient temperature min./max.: -25 °C ... 80 °C  
 Medium temperature min./max.: -25 °C ... 80 °C  
 Working pressure min./max.: -0.95 bar ... 10 bar



	Min. actuating force [N]	Compressed air connection	Min. ambient temperature [°C]	Max. ambient temperature [°C]	Part No.
	20	1/4 NPT	-25	80	R432016626

Dimensions in inches

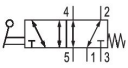


Position 0: initial position, position I: with detent, manual return, position II: automatic spring return

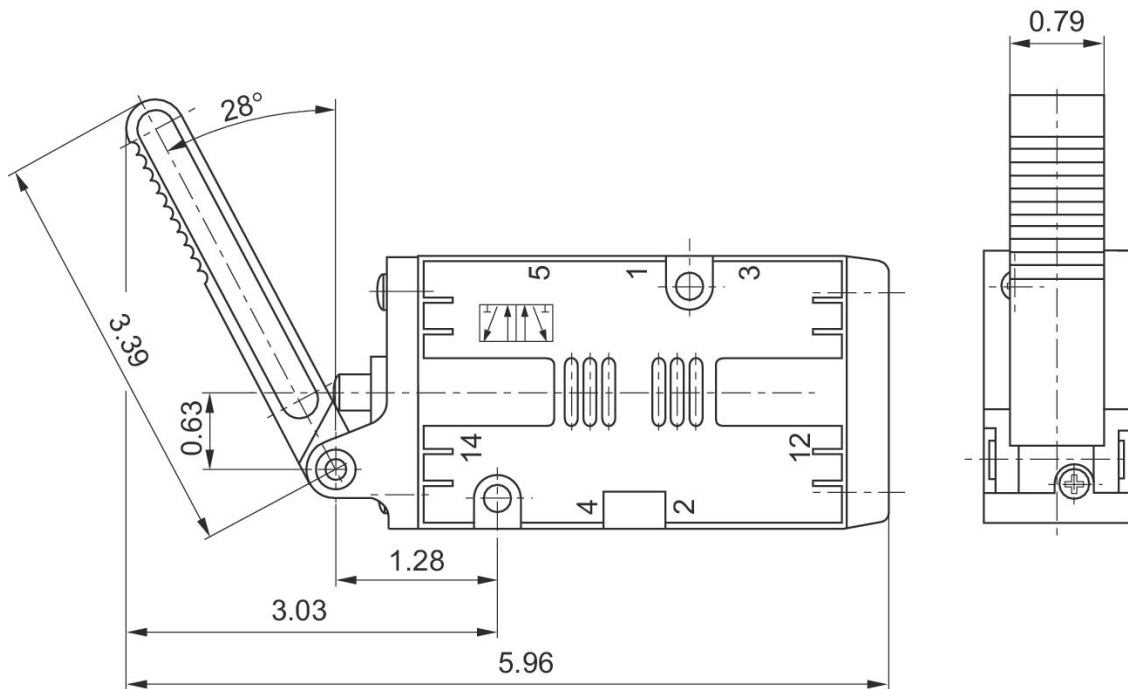
**5/2-directional valve, Series CD07, Hand lever**

Flow: 1200 l/min  
 Activation: Mechanically operated  
 Qn 1 > 2: 1200 l/min  
 Compressed air connection type: Internal thread  
 Compressed air connection input: 1/4 NPT  
 Compressed air connection output: 1/4 NPT  
 Compressed air connection, exhaust: 1/4 NPT  
 Min. control pressure: -0.95 bar  
 Max. control pressure: 10 bar  
 Ambient temperature min./max.: -25 °C ... 80 °C  
 Medium temperature min./max.: -25 °C ... 80 °C  
 Working pressure min./max.: -0.95 bar ... 10 bar



	Min. actuating force [N]	Compressed air connection	Min. ambient temperature [°C]	Max. ambient temperature [°C]	Part No.
	15	1/4 NPT	-25	80	R432016621

Dimensions in inches



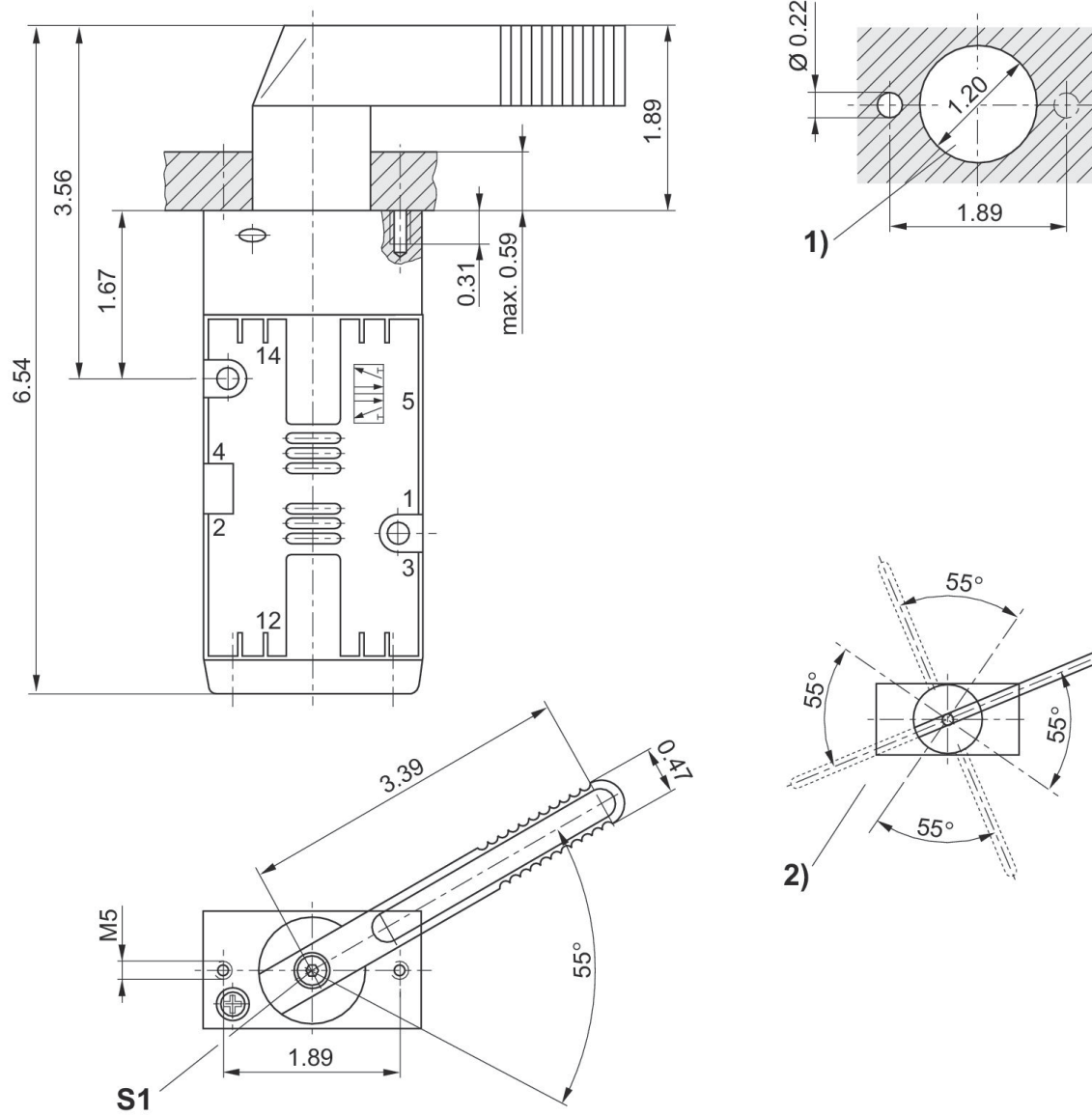
**5/2-directional valve, Series CD07, Rotary lever, with detent**

Flow: 1200 l/min  
 Activation: Mechanically operated  
 Qn 1 > 2: 1200 l/min  
 Compressed air connection type: Internal thread  
 Compressed air connection input: 1/4 NPT  
 Compressed air connection output: 1/4 NPT  
 Compressed air connection, exhaust: 1/4 NPT  
 Min. control pressure: -0.95 bar  
 Max. control pressure: 10 bar  
 Ambient temperature min./max.: -25 °C ... 80 °C  
 Medium temperature min./max.: -25 °C ... 80 °C  
 Working pressure min./max.: -0.95 bar ... 10 bar



	Min. actuating force [N]	Compressed air connection	Min. ambient temperature [°C]	Max. ambient temperature [°C]	Part No.
	15	1/4 NPT	-25	80	R432016627

Dimensions in inches



1) control panel installation (holes in mounting panel) 2) possible lever positions (basic position of hand lever adjustable in 90° steps after loosening screw "S1").

**5/2-directional valve, Series CD07, Button**

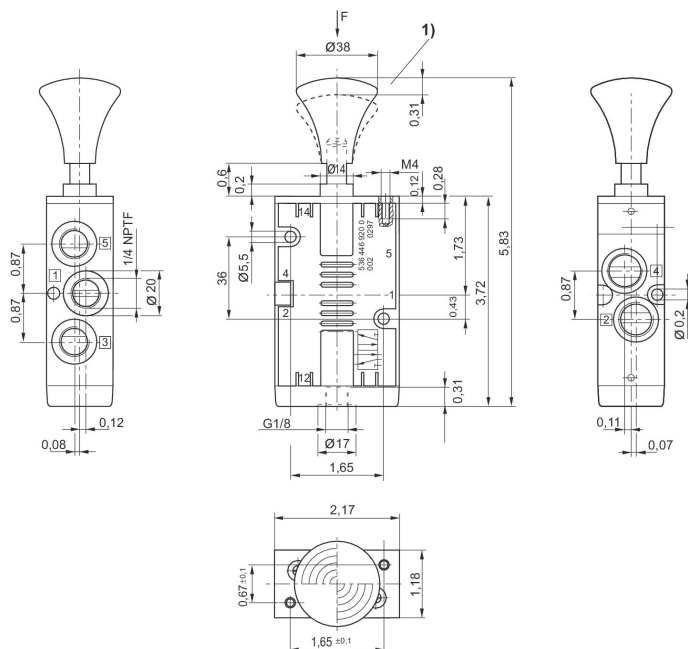
Flow: 1200 l/min  
 Activation: Mechanically operated  
 Qn 1 > 2: 1200 l/min  
 Compressed air connection type: Internal thread  
 Compressed air connection input: 1/4 NPT  
 Compressed air connection output: 1/4 NPT  
 Compressed air connection, exhaust: 1/4 NPT  
 Ambient temperature min./max.: -25 °C ... 80 °C  
 Medium temperature min./max.: -25 °C ... 80 °C  
 Working pressure min./max.: -0.95 bar ... 10 bar



	Min. actuating force [N]	Compressed air connection	Min. ambient temperature [°C]	Max. ambient temperature [°C]	Part No.
	80	1/4 NPT	-25	80	R432009214
	80	1/4 NPT	-25	80	R432032607
	80	1/4 NPT	-25	80	R432032606
	70	1/4 NPT	-25	80	R432016622

**R432009214, R432032607, R432032606**

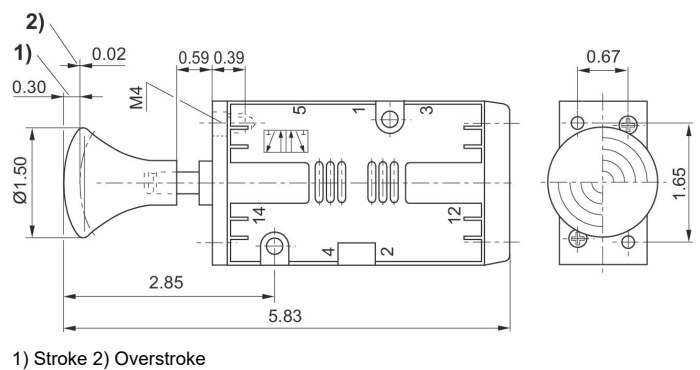
Dimensions in inches



1) Stroke

**R432016622**

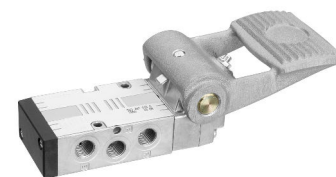
Dimensions in inches



1) Stroke 2) Overstroke

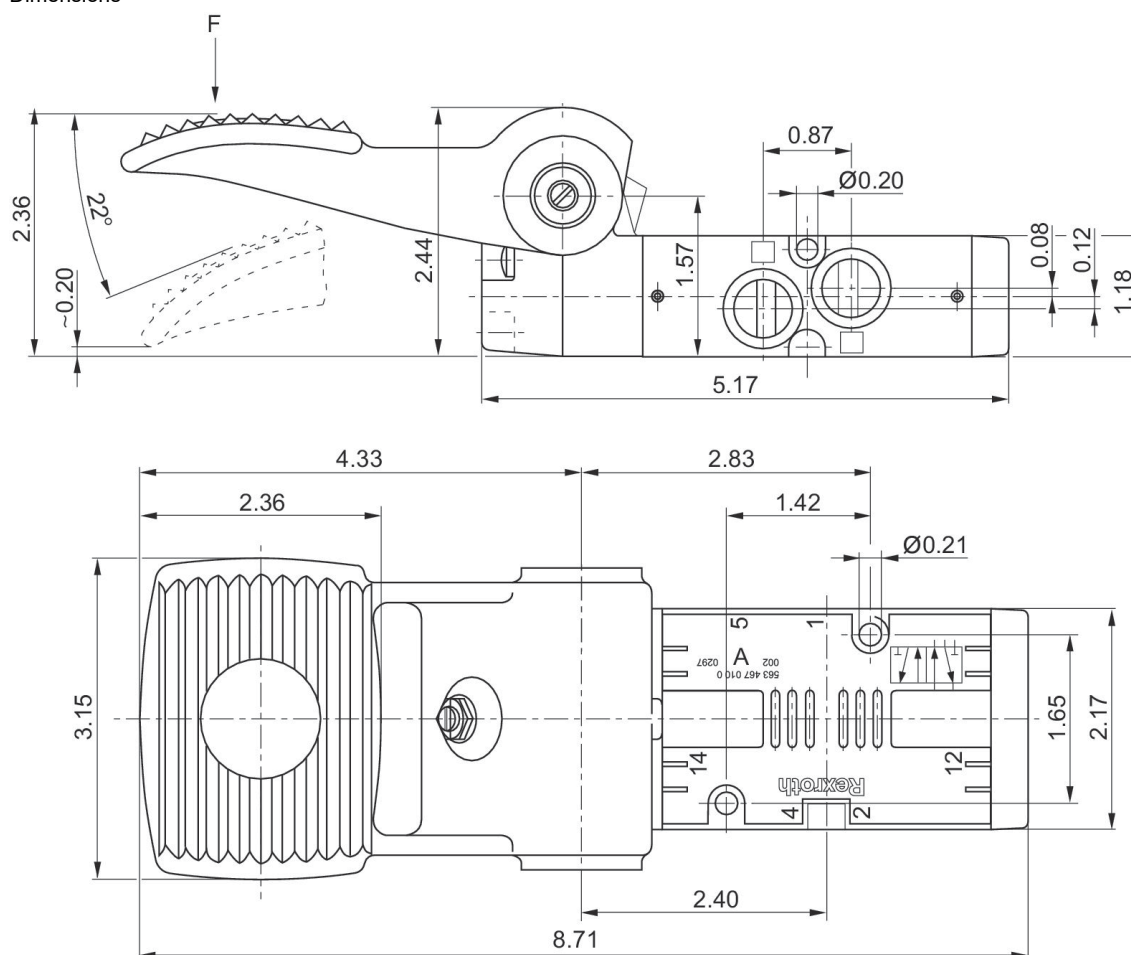
### 5/2-directional valve, Series CD07, Pedal

Flow: 1200 l/min  
 Activation: Mechanically operated  
 Qn 1 > 2: 1200 l/min  
 Compressed air connection type: Internal thread  
 Compressed air connection input: 1/4 NPT  
 Compressed air connection output: 1/4 NPT  
 Compressed air connection, exhaust: 1/4 NPT  
 Ambient temperature min./max.: -30 °C ... 80 °C  
 Medium temperature min./max.: -30 °C ... 80 °C  
 Working pressure min./max.: -0.95 bar ... 10 bar



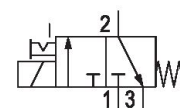
	Min. actuating force [N]	Compressed air connection	Min. ambient temperature [°C]	Max. ambient temperature [°C]	Part No.
	40	1/4 NPT	-30	80	R432016624

#### Dimensions



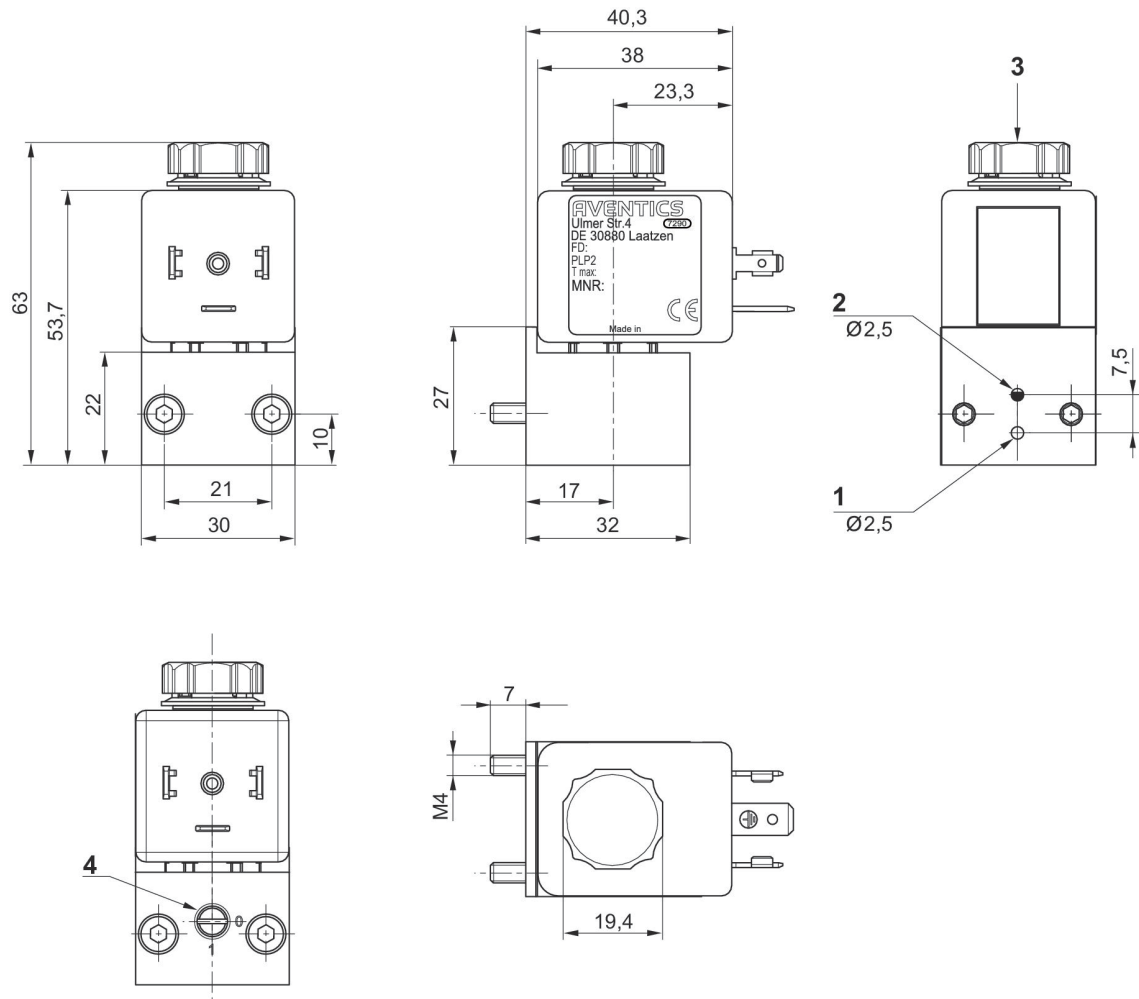
**3/2-directional valve, Series DP30-LT, Manual override: with detent**

Flow: 60 l/min  
 Activation: Electrically  
 Duty cycle: 100 %  
 Type: Spool valve, positive overlapping  
 Ambient temperature min./max.: -40 °C ... 70 °C  
 Medium temperature min./max.: -40 °C ... 70 °C  
 Working pressure min./max.: 2.5 bar ... 10 bar



Operational voltage	Compressed air connection	Function	Manual override	ATEX	Min. ambient temperature [°C]	Max. ambient temperature [°C]	Part No.
24 V DC	CNOMO	NC	with detent	CE declaration of conformity, RoHS, UR (Underwriters Laboratories)	-40	70	R414012067
110 V DC	CNOMO	NC	with detent	CE declaration of conformity, RoHS, UR (Underwriters Laboratories)	-40	70	R414012068

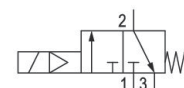
Dimensions



- 1) Port 1 (Input)
- 2) Port 2 (Output)
- 3) Port 3 (M8) with silencer
- 4) Manual override

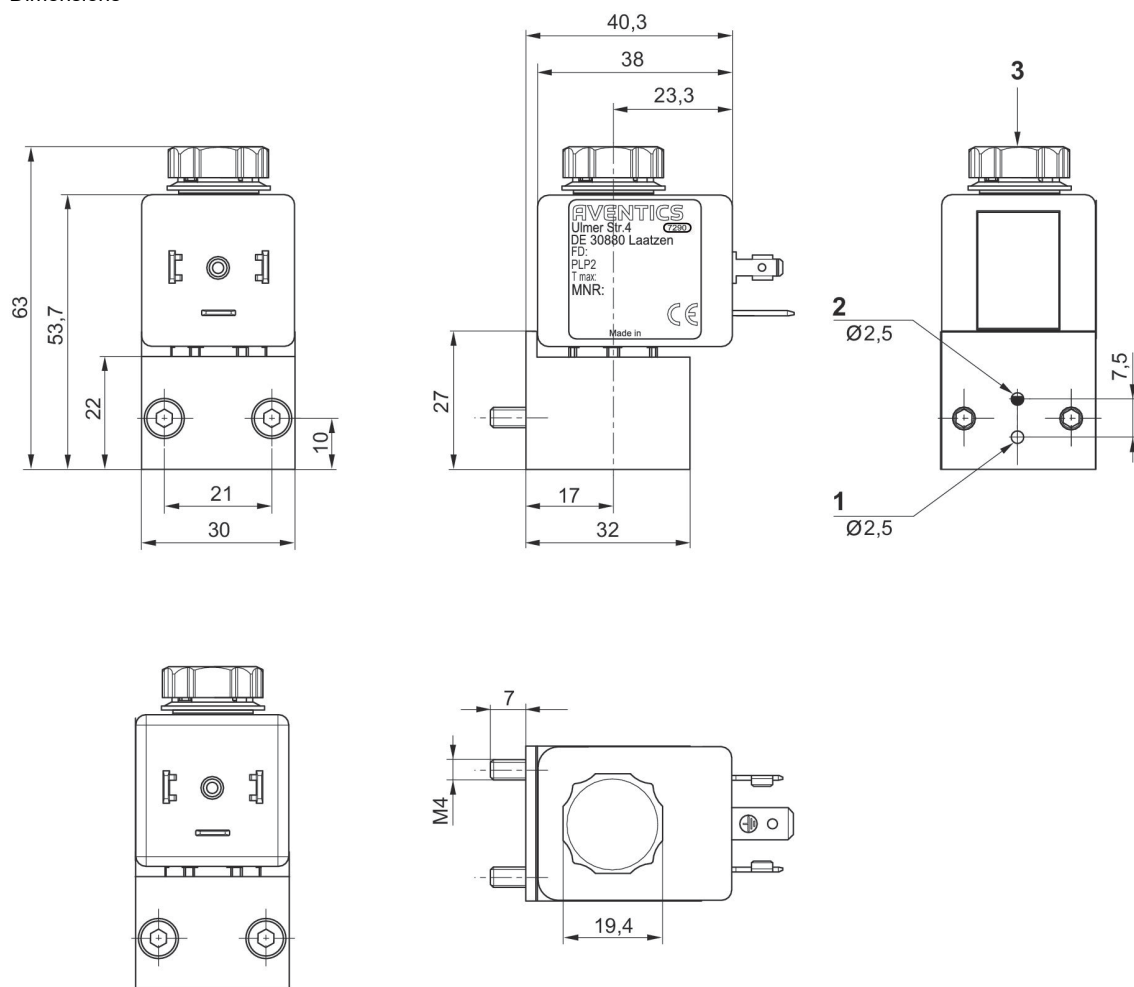
**3/2-directional valve, Series DP30-LT, Manual override: without detent**

Flow: 60 l/min  
 Activation: Electrically  
 Type: Spool valve, positive overlapping  
 Ambient temperature min./max.: -40 °C ... 70 °C  
 Medium temperature min./max.: -40 °C ... 70 °C  
 Working pressure min./max.: 2.5 bar ... 10 bar



Operational voltage	Compressed air connection	Function	Manual override	ATEX	Min. ambient temperature [°C]	Max. ambient temperature [°C]	Part No.
24 V DC	CNOMO	NC	without	CE declaration of conformity, RoHS, UR (Underwriters Laboratories)	-40	70	R414012065
110 V DC	CNOMO	NC	without	CE declaration of conformity, RoHS, UR (Underwriters Laboratories)	-40	70	R414012066

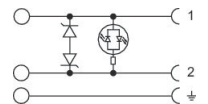
Dimensions



- 1) Port 1 (Input)
- 2) Port 2 (Output)
- 3) Port 3 (Exhaust) with silencer

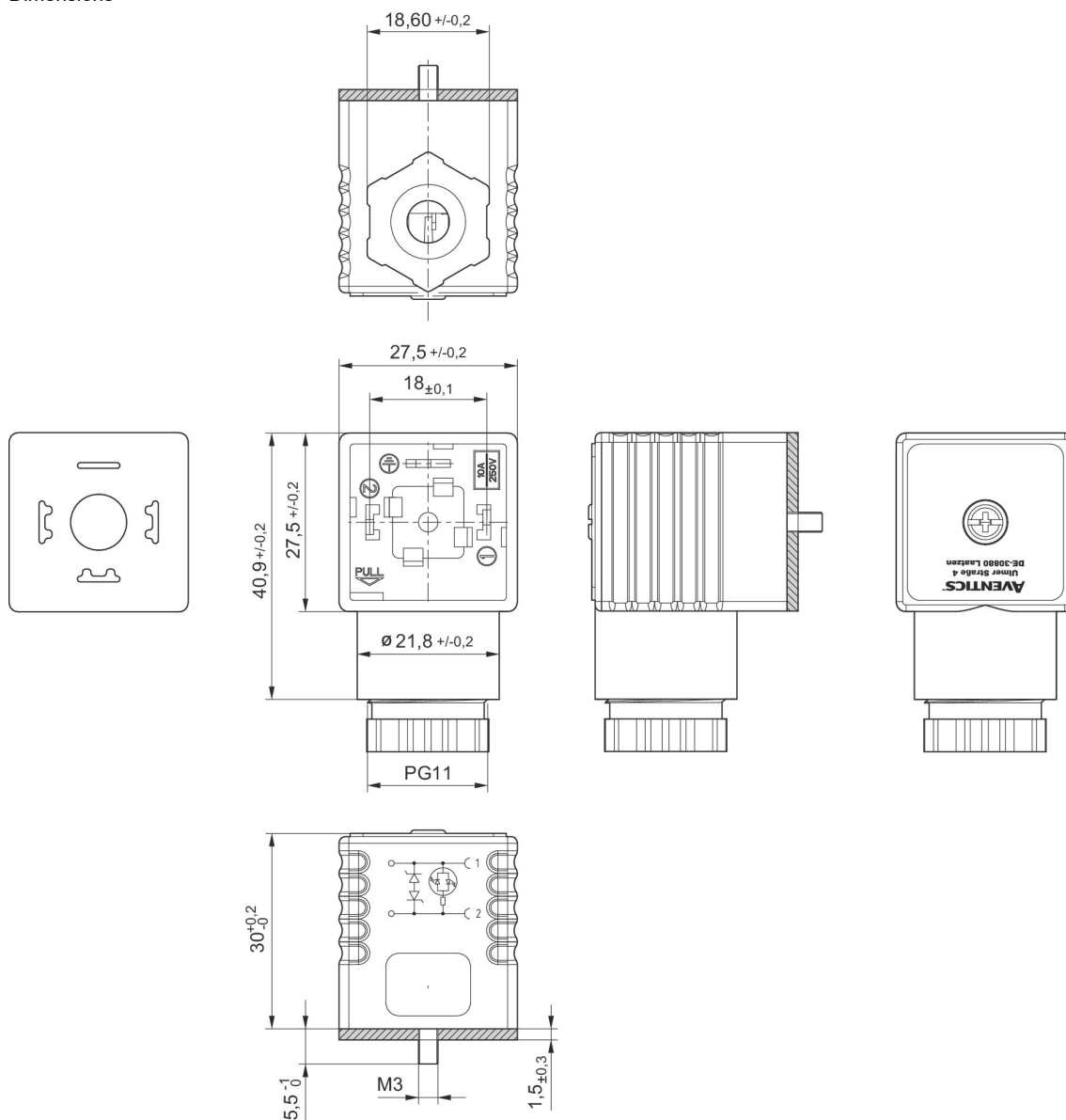
**Valve plug connector, series CON-VP, Form A, 24 V AC/DC, Flat gasket**

Electrical connection 1: EN 175301-803, form A  
Ambient temperature min./max.: -40 °C ... 90 °C



Operational voltage	Protective circuit	Max. current [A]	Contact assignment	LED status display	min. suitable cable Ø [mm]	max. suitable cable Ø [mm]	Part No.
24 V AC/DC	2 Z-diodes	1.5	2+E	Yellow	4	9.5	1834484101

Dimensions



Profile seal

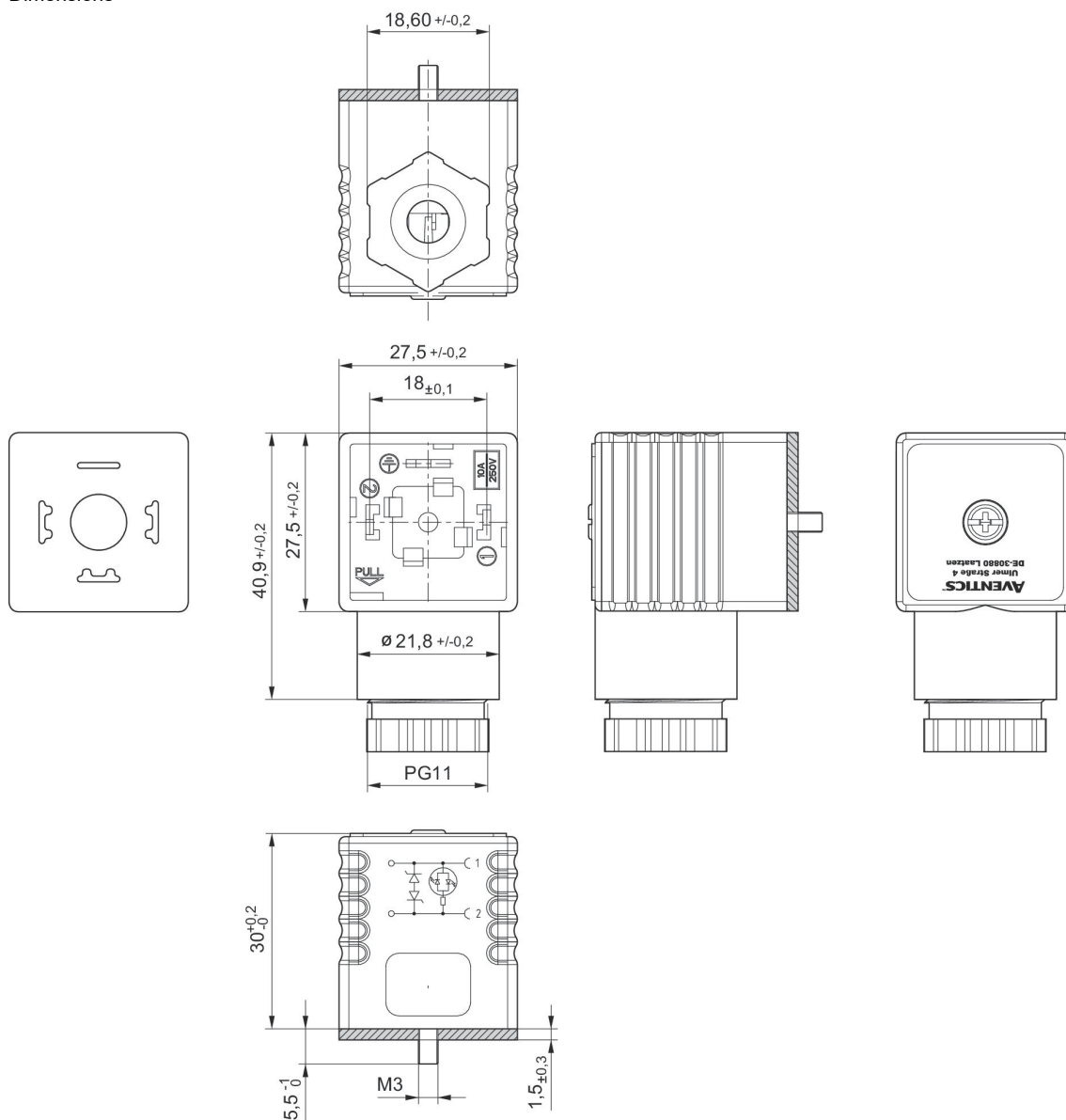
**Valve plug connector, series CON-VP, form A, 115/230 V AC/DC**

Electrical connection 1: EN 175301-803, form A  
Ambient temperature min./max.: -40 °C ... 90 °C



	Operational voltage	Protective circuit	Contact assignment	LED status display	min. suitable cable Ø [mm]	max. suitable cable Ø [mm]	Part No.
	115 V AC/DC	Varistor	2+E	Red	6.5	9.5	1834484102
	230 V AC/DC	Varistor	2+E	Red	6.5	9.5	1834484103

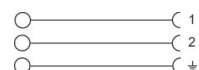
Dimensions



Profile seal

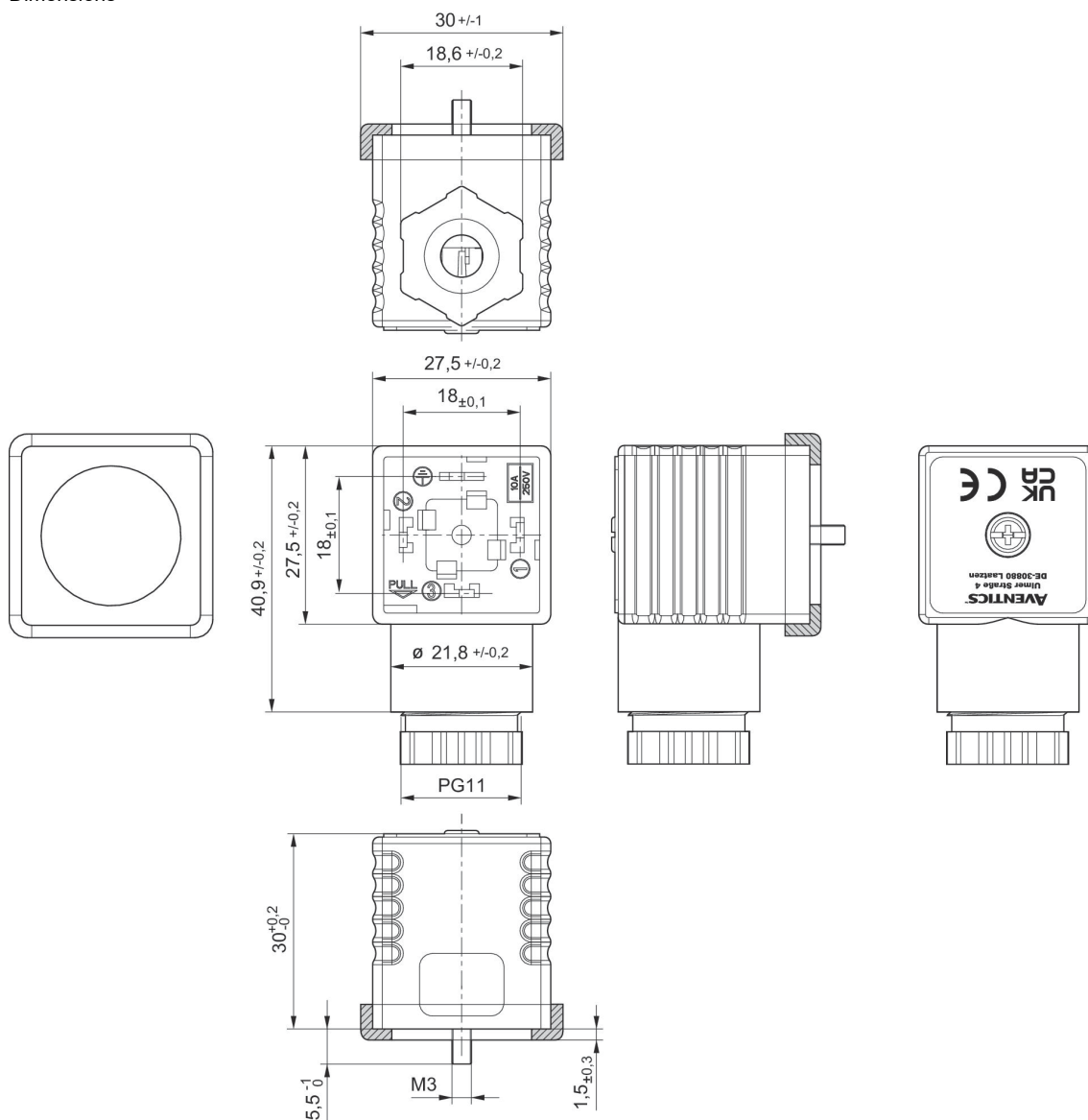
**Valve plug connector, series CON-VP, Form A, 300 V DC / 250 V AC, 2-pin**

Electrical connection 1: EN 175301-803, form A  
Ambient temperature min./max.: -40 °C ... 90 °C



Operational voltage	Max. current [A]	Contact assignment	min. suitable cable Ø [mm]	max. suitable cable Ø [mm]	Part No.
300 V DC / 250 V AC	10	2+E	4	9.5	1834484048

Dimensions



Profile seal

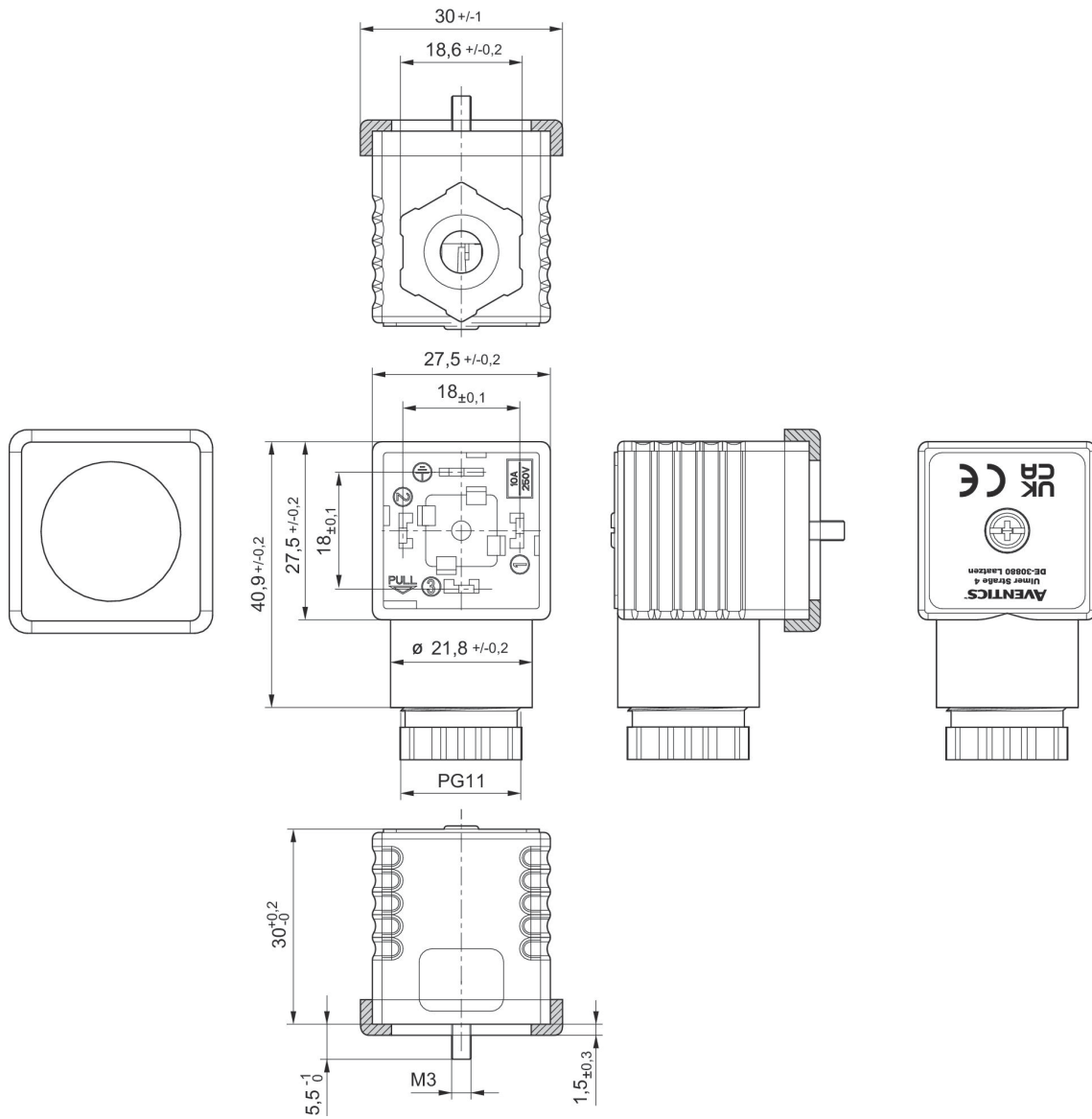
**Valve plug connector, series CON-VP, Form A, 300 V DC / 250 V AC, 3-pin**

Electrical connection 1: EN 175301-803, form A  
Ambient temperature min./max.: -40 °C ... 90 °C



Operational voltage	Max. current [A]	Contact assignment	min. suitable cable Ø [mm]	max. suitable cable Ø [mm]	Part No.
300 V DC / 250 V AC	10	3+E	4	9.5	1834484059

Dimensions



Profile seal

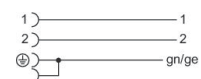
**Valve plug connector with cable series CON-VP, Form A**

Electrical connection 1: Socket ... form A ... 2+E ... angled

Electrical connection 2: open cable ends ... 3-pin

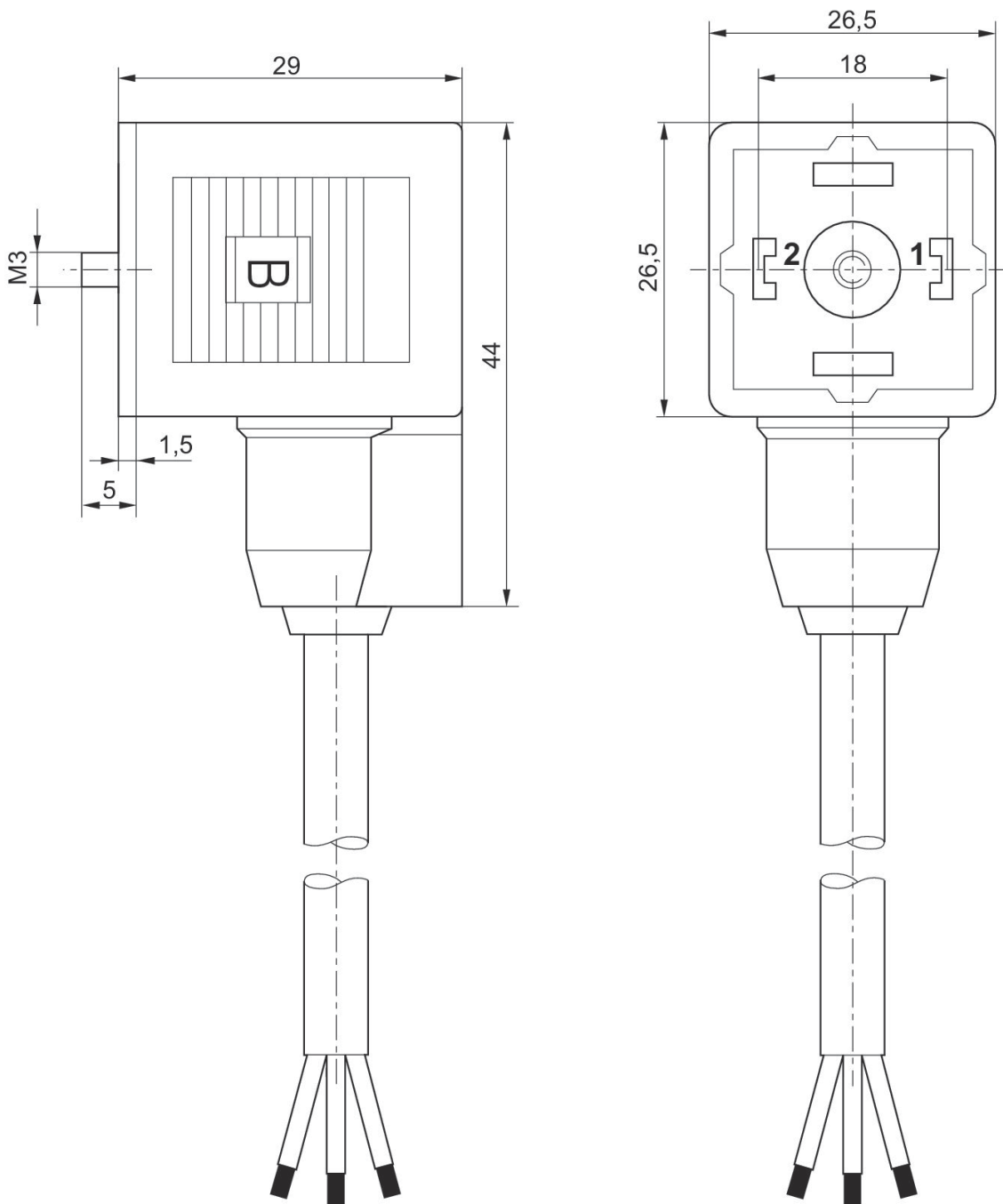
Shielding: unshielded

Ambient temperature min./max.: -20 °C ... 80 °C



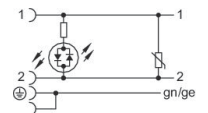
Operational voltage	Contact assignment	Cable-Ø [mm]	Cable length [m]	Part No.
230 V AC/DC	2+E	5.9	3	1834484160

Dimensions



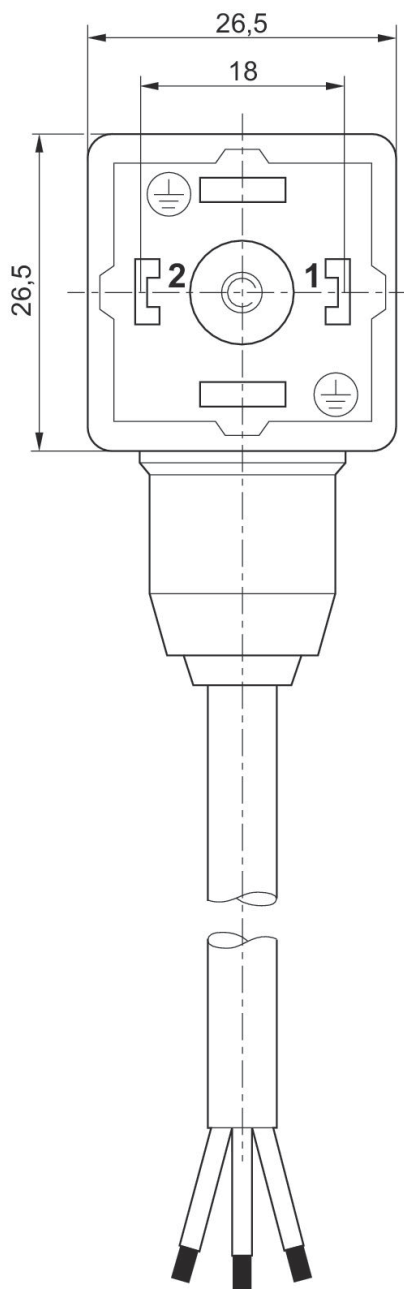
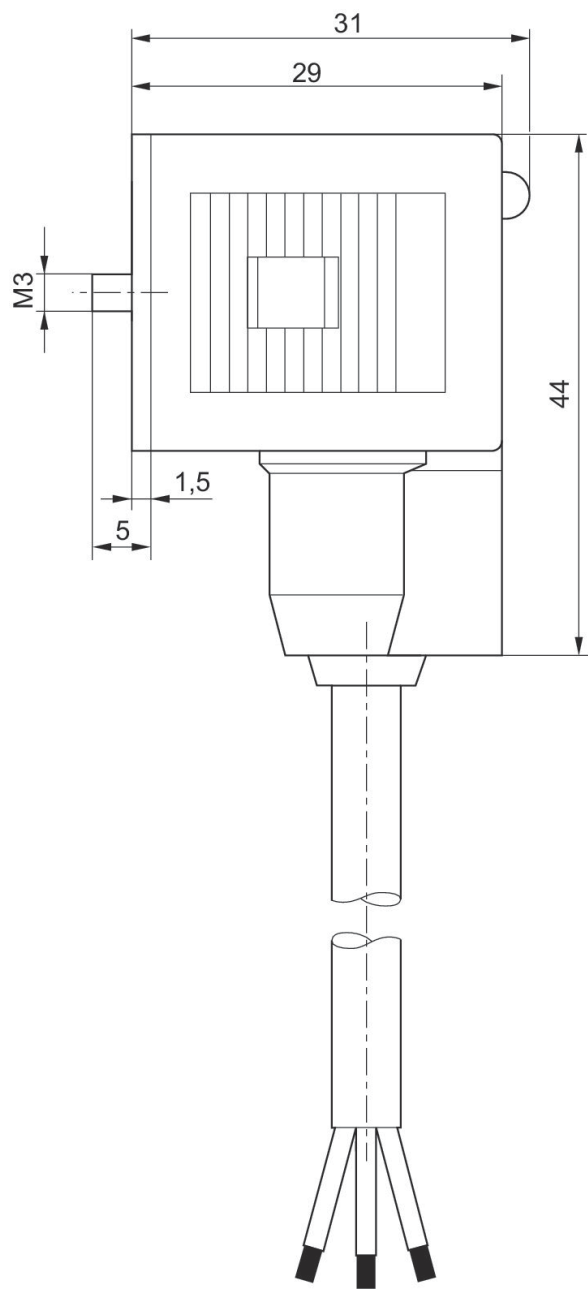
**Valve plug connector with cable series CON-VP, Form A**

Electrical connection 1: Socket ... form A ... 2+E ... angled  
 Electrical connection 2: open cable ends ... 3-pin  
 Shielding: unshielded  
 Protective circuit: Varistor  
 Ambient temperature min./max.: -20 °C ... 80 °C



Operational voltage	Protective circuit	Contact assignment	LED status display	Cable-Ø [mm]	Cable length [m]	Part No.
24 V AC/DC	Z-diode	2+E	Yellow	5.9	3	1834484162
24 V AC/DC	Z-diode	2+E	Yellow	5.9	5	1834484163
230 V AC/DC	Varistor	2+E	Red	5.9	3	1834484164
230 V AC/DC	Varistor	2+E	Red	5.9	5	1834484165

Dimensions



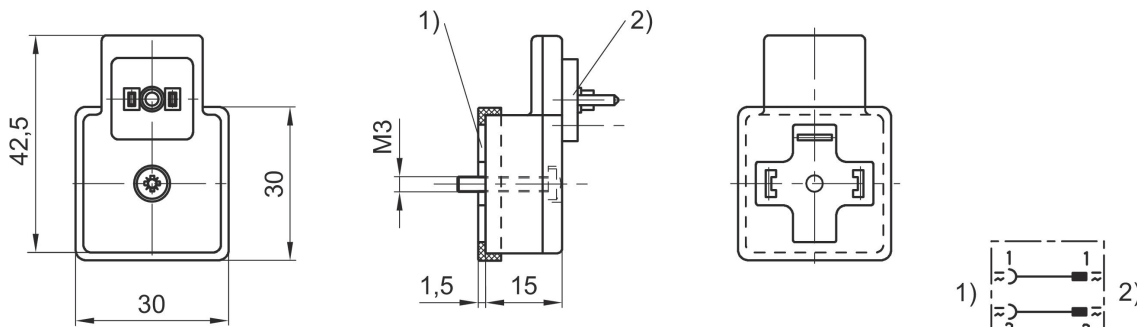
**Adapter, Series CON-VP, from form A to form C**

Ambient temperature min./max.: -25 °C ... 50 °C



Type	Max. current [A]	Part No.
from form A to form C	0.5	8946053622

Dimensions



- 1) contact as per DIN EN 175301-803, form A
- 2) contact as per DIN EN 175301-803, form C

**Coil, Series CO2, form A, class F, polyamide**

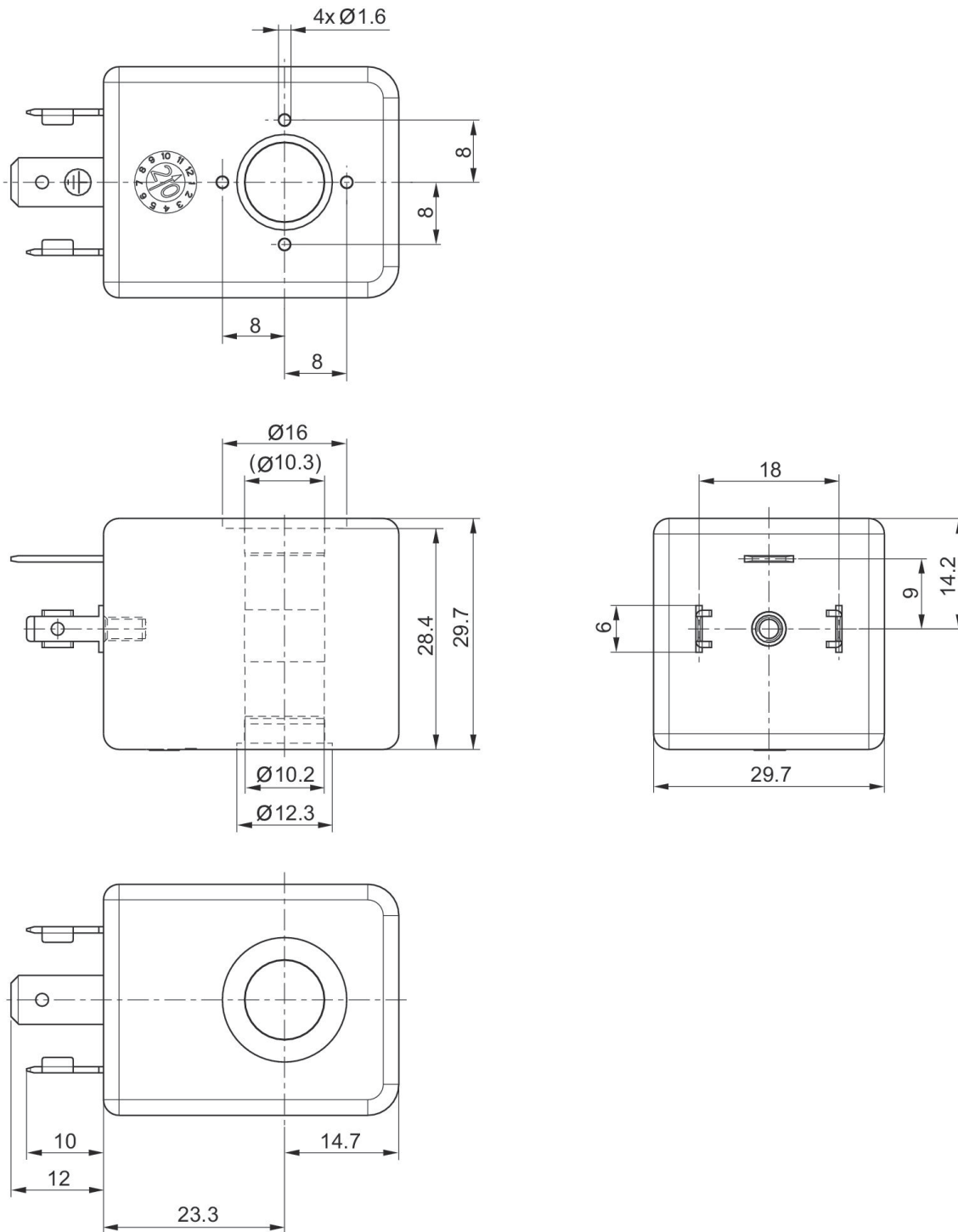
Coil width: 30 mm  
 Electrical connection 2, thread size: form A  
 Certificates: CE declaration of conformity, UKCA  
 Coil insulation class: Class F  
 Electrical connection 2, number of poles: 3-pin  
 : Ambient temperature: -25 ... 60°C  
 Ambient temperature min./max.: -25 °C ... 60 °C  
 Medium temperature min./max.: -25 °C ... 60 °C



Operational voltage DC	Operational voltage AC at 50 Hz	Operational voltage AC at 60 Hz	Voltage tolerance	Power consumption DC [W]	Holding power AC 50 Hz	Holding power AC 60 Hz	Switch-on power AC 50 Hz	Part No.
24 V			-10 % / +10 %	2.7				549534-005-1A
24 V	48 V		-10 % / +10 %	4.3		3,5 VA	6,3 VA	549534-010-1A
12 V	24 V	24 V	-10 % / +10 %	6.8	6 VA	5 VA	10 VA	549534-018-1A

Switch-on power AC 60 Hz	Compatibility index	Part No.
	53	549534-005-1A
	54	549534-010-1A
8,7 VA	56	549534-018-1A

Dimensions



**Coil, Series CO2, form A, class F, polyamide, CE**

Coil width: 30 mm

Electrical connection 2, thread size: form A

Certificates: CE declaration of conformity, UKCA

Coil insulation class: Class F

Electrical connection 2, number of poles: 3-pin

: Ambient temperature: -25 ... 60 °C

Ambient temperature min./max.: -25 °C ... 60 °C

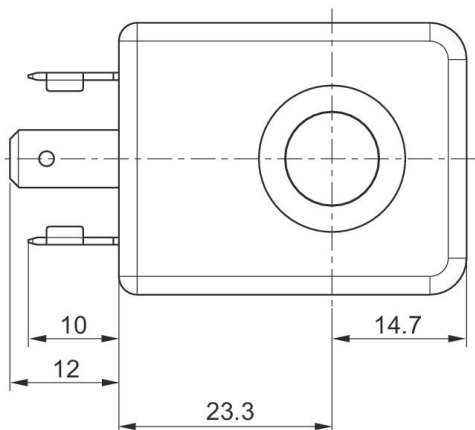
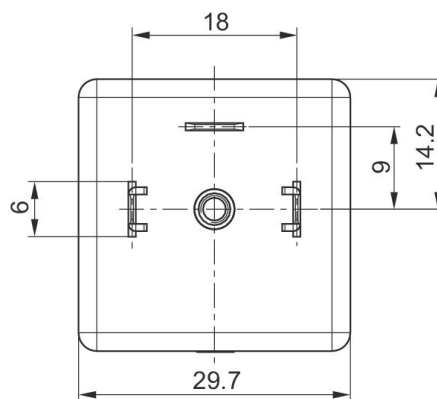
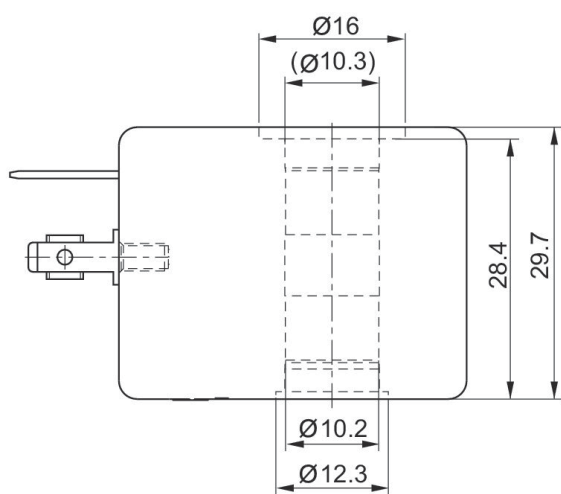
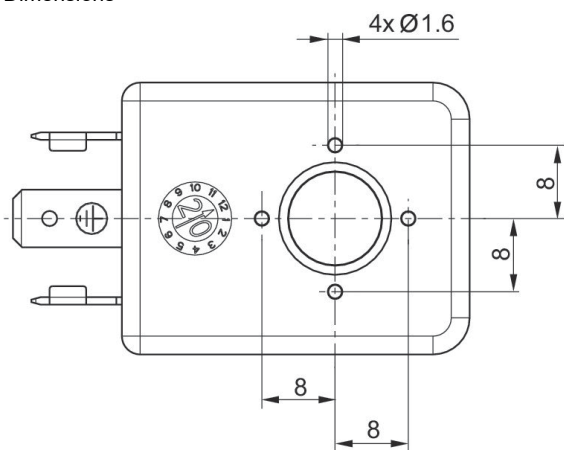
Medium temperature min./max.: -25 °C ... 60 °C



Operational voltage DC	Operational voltage AC at 50 Hz	Operational voltage AC at 60 Hz	Voltage tolerance	Power consumption DC [W]	Holding power AC 50 Hz	Holding power AC 60 Hz	Switch-on power AC 50 Hz	Part No.
110 V	220 V / 230 V	220 V / 230 V	-10 % / +10 %	6	5,5 VA / 6,5 VA	4 VA / 5,8 VA	9,3 VA / 10,3 VA	549534-017-1A
75 V			-10 % / +10 %	2.7				549534-043-1A
	110 V / 115 V	110 V / 115 V	-10 % / +10 %		6 VA / 7 VA	5 VA / 6 VA	9,9 VA / 10,8 VA	549534-055-1A

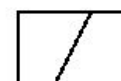
Switch-on power AC 60 Hz	Compatibility index	Part No.
8 VA / 8,8 VA	55	549534-017-1A
	53	549534-043-1A
8,5 VA / 9,3 VA	54	549534-055-1A

Dimensions



**Coil, Series CO2, form A, class F, Polyphenylene sulfide, UL**

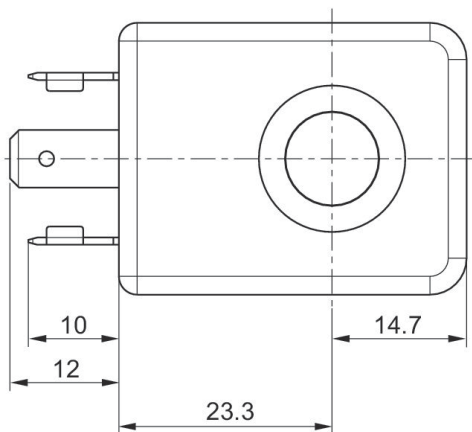
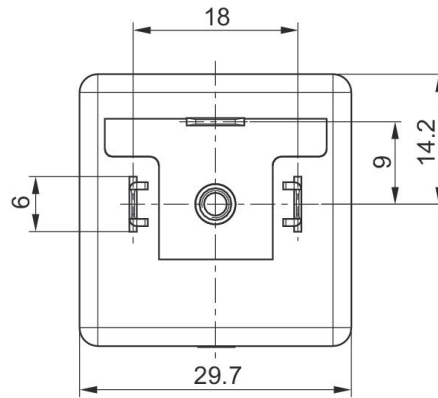
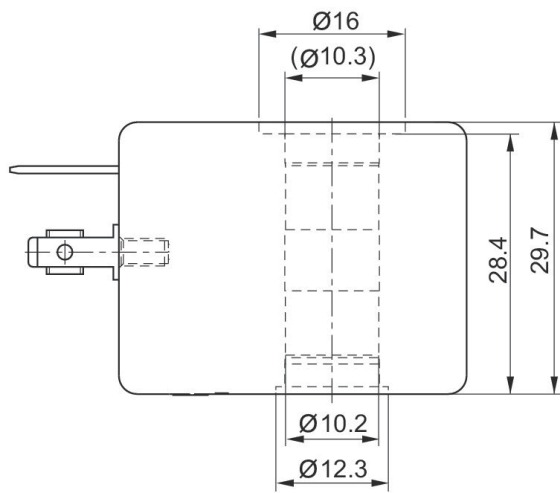
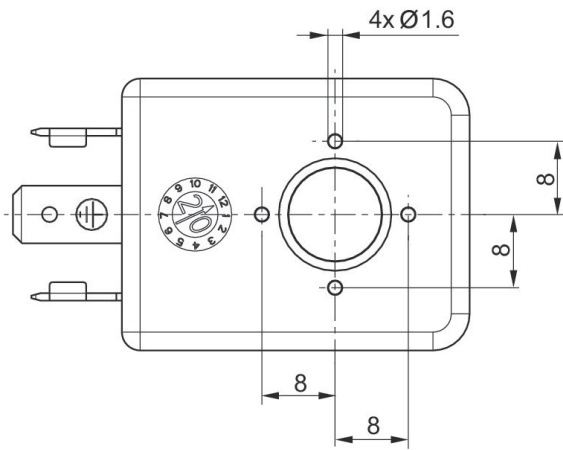
Coil width: 30 mm  
 Electrical connection 2, thread size: form A  
 Certificates: UL (Underwriters Laboratories)  
 Coil insulation class: Class F  
 Electrical connection 2, number of poles: 3-pin  
 : Ambient temperature: -40 ... 60°C  
 Ambient temperature min./max.: -25 °C ... 60 °C  
 Medium temperature min./max.: -25 °C ... 60 °C



Operational voltage DC	Operational voltage AC at 50 Hz	Operational voltage AC at 60 Hz	Voltage tolerance	Power consumption DC [W]	Holding power AC 50 Hz [VA]	Holding power AC 60 Hz [VA]	Switch-on power AC 50 Hz [VA]	Part No.
24 V	48 V	48 V	-10 % / +10 %	6	5.5	5	9.2	548934-013-1A
24 V	42 V		-10 % / +10 %	7.8	5.5		8.7	548934-040-1A

Switch-on power AC 60 Hz [VA]	Compatibility index	Part No.
8	55	548934-013-1A
	57	548934-040-1A

Dimensions



**Coil, Series CO1, ATEX**

Coil width: 30 mm

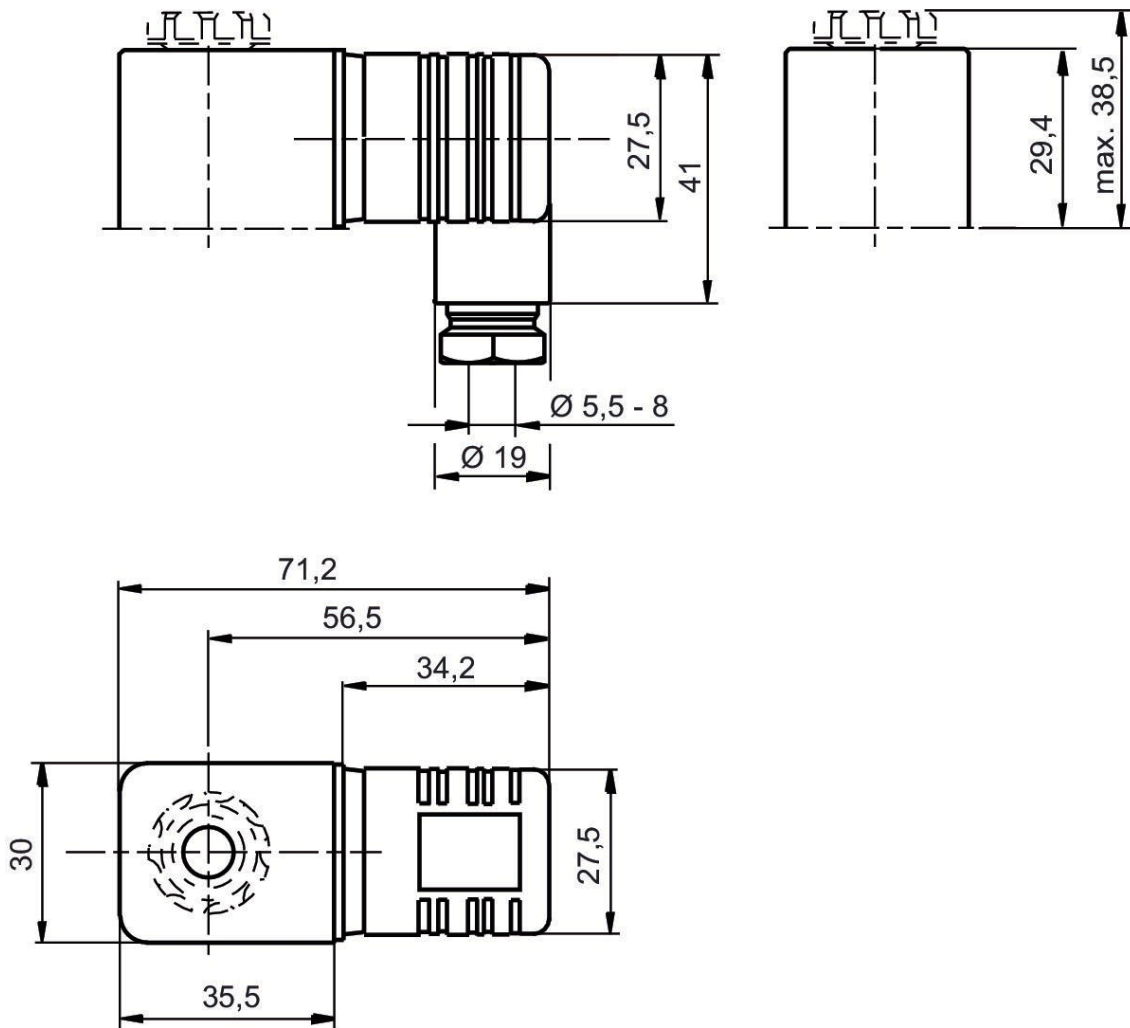
Ambient temperature min./max.: -10 °C ... 50 °C



Operational voltage DC	Operational voltage AC at 50 Hz	Operational voltage AC at 60 Hz	Voltage tolerance DC	Voltage tolerance AC 50 Hz	Voltage tolerance AC 60 Hz	Power consumption DC [W]	Holding power AC 50 Hz [VA]	Part No.
24 V			-10 % / +10 %			2.1		R412000144
	24 V	24 V		-10 % / +10 %	-10 % / +10 %		4	R412000145
	110 V	110 V		-10 % / +10 %	-10 % / +10 %		4	R412000146
	230 V	230 V		-10 % / +10 %	-10 % / +10 %		4	R412000147

Switch-on power AC 50 Hz [VA]	Compatibility index	Part No.
	13	R412000144
6.9	13	R412000145
6.8	13	R412000146
6.9	13	R412000147

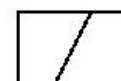
Dimensions



**Coil, Series CO1, with cable, ATEX**

Coil width: 30 mm

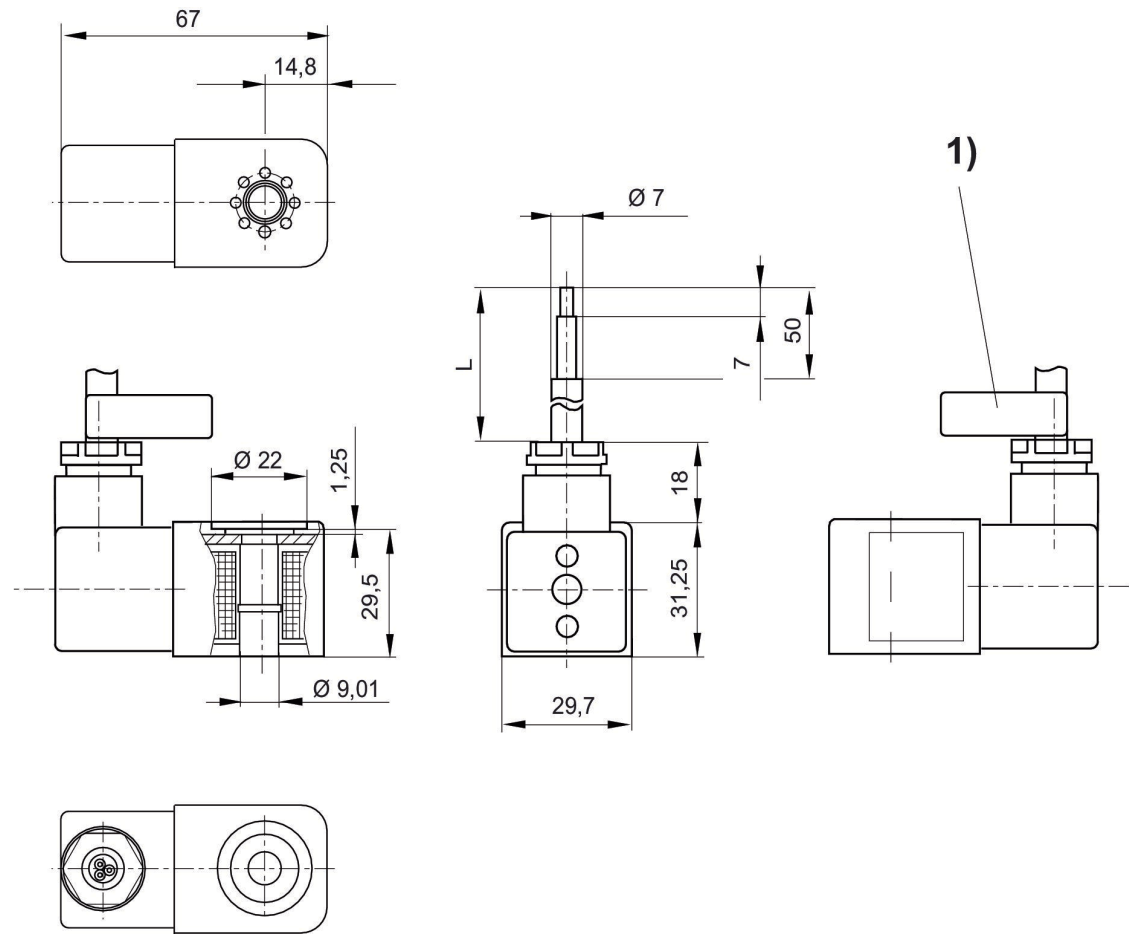
Ambient temperature min./max.: -20 °C ... 50 °C



Operational voltage DC	Operational voltage AC at 50 Hz	Operational voltage AC at 60 Hz	Voltage tolerance DC	Voltage tolerance AC 50 Hz	Power consumption DC [W]	Holding power AC 50 Hz [VA]	Switch-on power AC 50 Hz [VA]	Part No.
	230 V	230 V		-10 % / +10 %		3	3.1	1827414297
	230 V	230 V		-10 % / +10 %		3	3.1	1827414298
	110 V	110 V		-10 % / +10 %		2.9	3	1827414299
24 V			-10 % / +10 %		3.25			1827414303
24 V			-10 % / +10 %		3.25			1827414304

Cable length [m]	Compatibility index	Part No.
3	14	1827414297
10	14	1827414298
3	14	1827414299
3	14	1827414303
10	14	1827414304

Dimensions

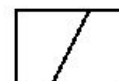


L = cable length

1) Cable ID band with serial number

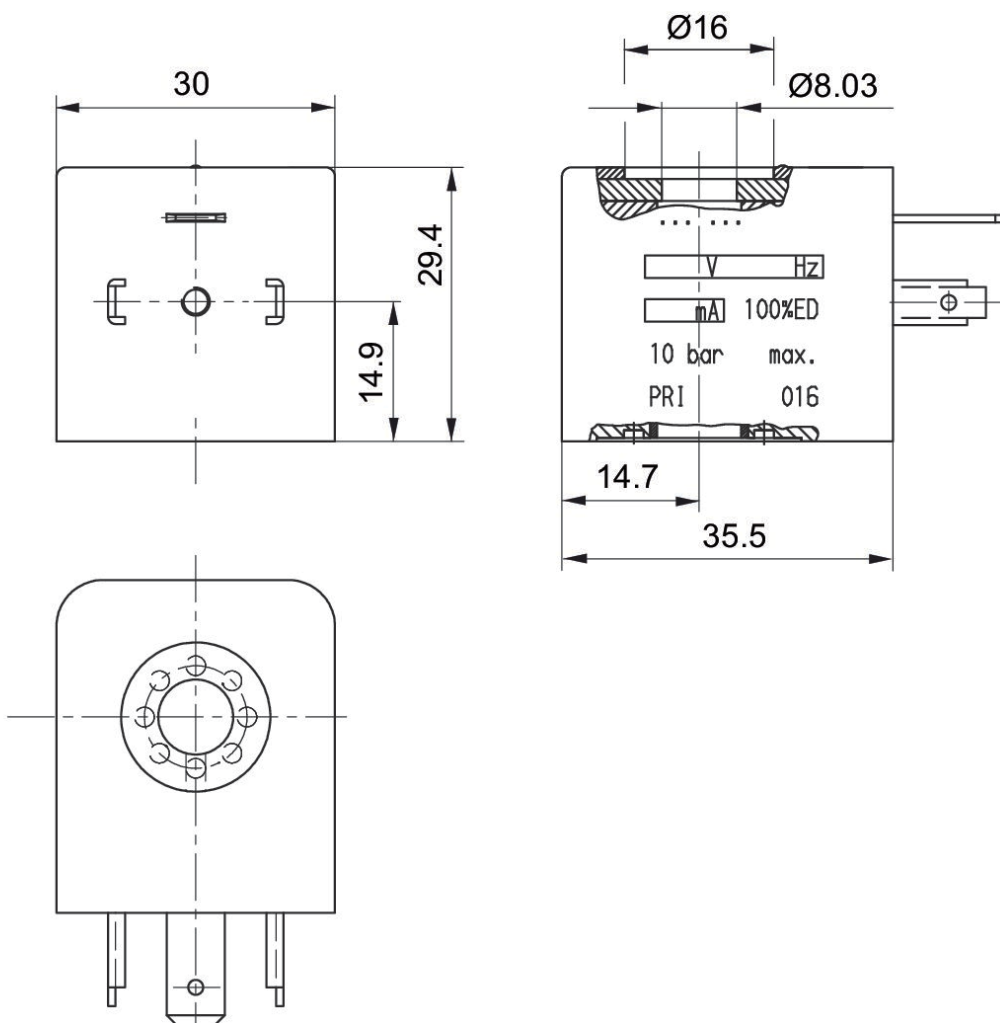
**Coil, Series CO1, form A, CERAM**

Ambient temperature min./max.: 50 °C



Operational voltage DC	Number of poles	Operational voltage AC at 50 Hz	Operational voltage AC at 60 Hz	Voltage tolerance DC	Power consumption DC [W]	Holding power AC 50 Hz [VA]	Compatibility index	Part No.
	3-pin	110 V	110 V	-10 % / +10 %		3.7	14	R432011985
	3-pin	220 V	220 V	-10 % / +10 %		3.7	14	R432011986
24 V	3-pin			-10 % / +10 %	2.7		14	R432011989
	3-pin	24 V	24 V	-10 % / +10 %		3.7	14	R432011990

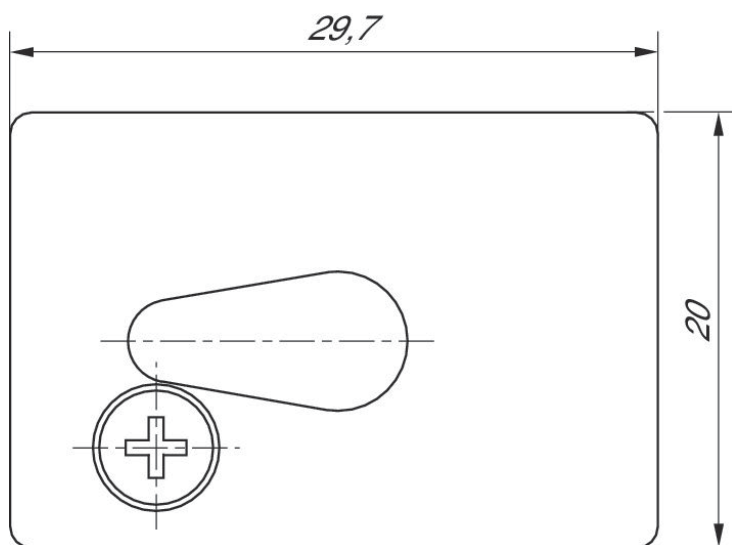
Dimensions



Kit, Series CD07, Manual override lock



Delivery unit [piece]	Weight [kg]	Part No.
1	0.004	5420900002

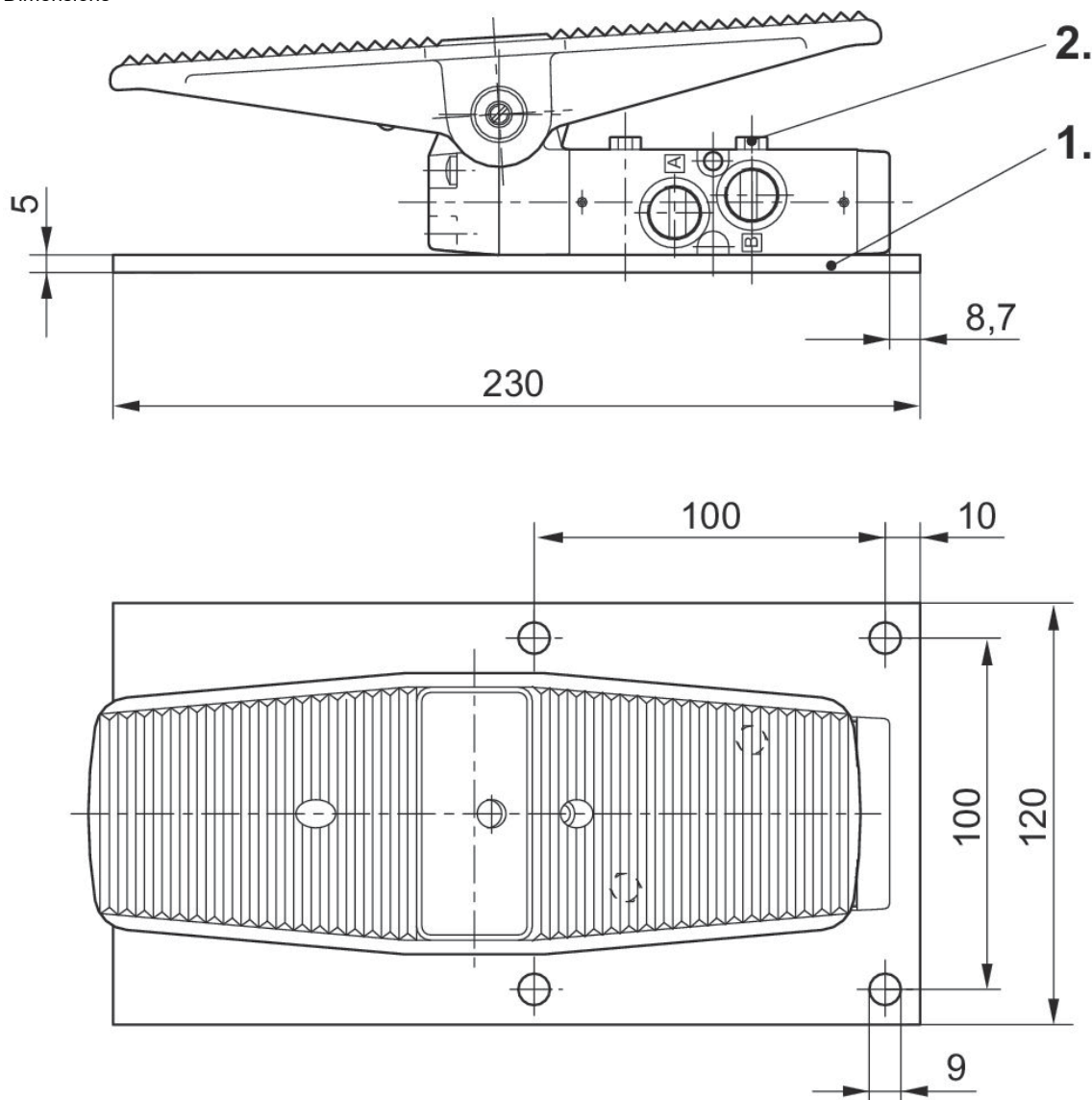


**Accessories, Series CD07, mounting plate**



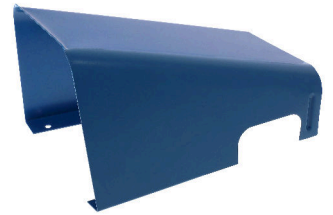
Type	Delivery unit [piece]	Part No.
Mounting plate	1	5631171004
Hexagon screw M5x35	1	8101260304

Dimensions



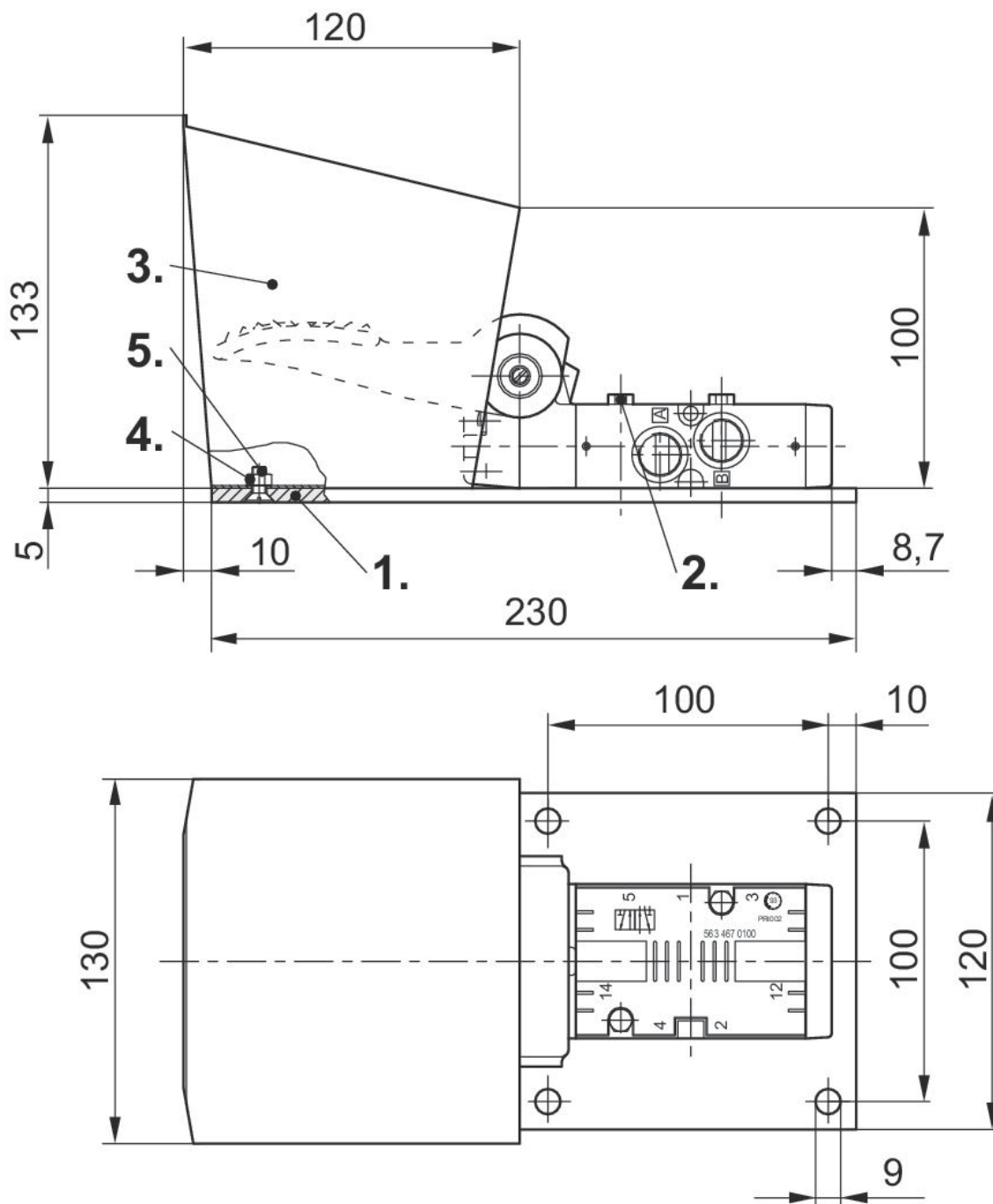
- 1) Mounting plate
- 2) Hexagon screw M5x35

Accessories, Series CD07, protective cover for valve foot pedal



Type	Delivery unit [piece]	Part No.
Protective cover	1	5631174514

Dimensions



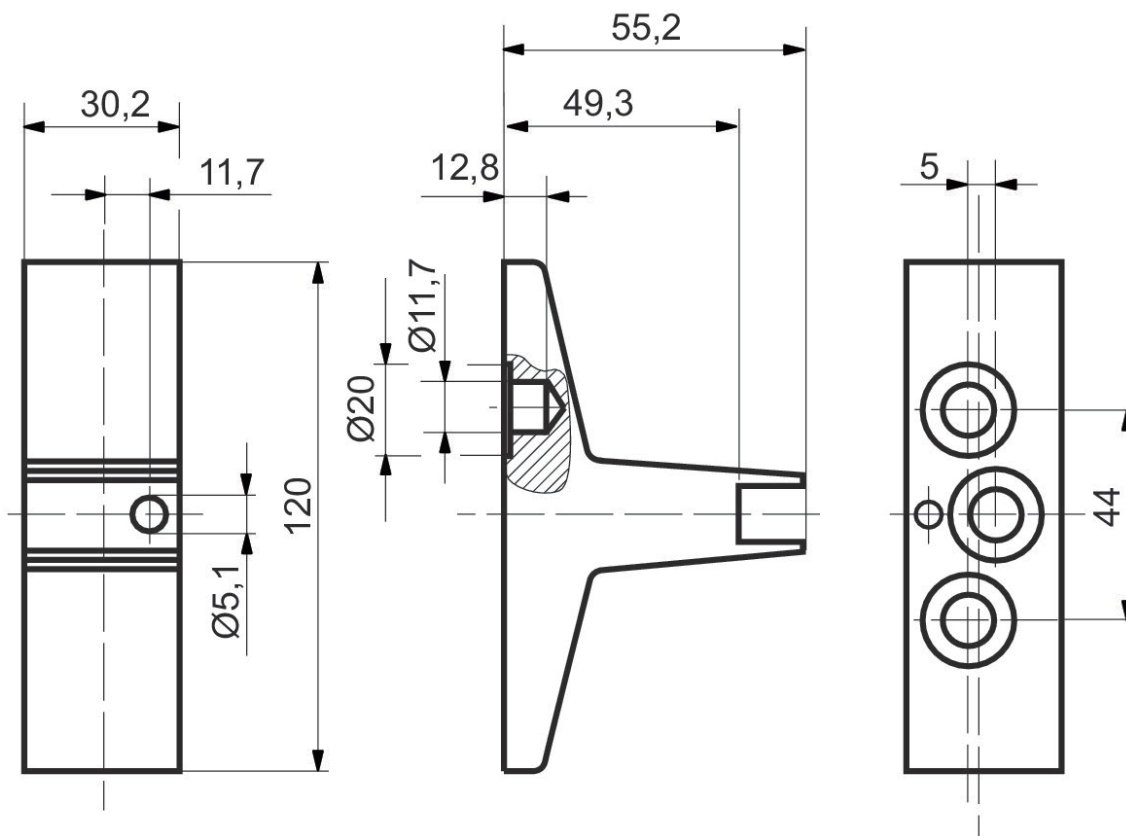
- 1) Mounting plate
- 2) Hexagon screw M5x35
- 3) Protective cover
- 4) Screw M5x12 (not included in scope of delivery)
- 5) Hexagonal nut M5 (not included in the delivery contents)

Blanking plate, for series CD07



Max. number of valve positions	Part No.
1	3354601024

Dimensions



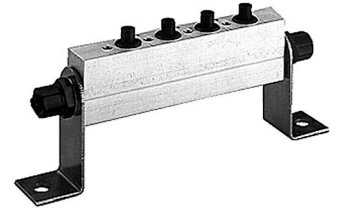
R, P, S subbase, Series CD07



Min. ambient temperature [°C]	Max. ambient temperature [°C]	Compressed air connection input	Compressed air connection, exhaust	Compressed air connection pilot air	Max. number of valve positions	Part No.
-25	80	G 1/2	G 1/2	G 1/8	4	8985072042
-25	80	G 1/2	G 1/2	G 1/8	6	8985072062
-25	80	G 1/2	G 1/2	G 1/8	8	8985072082
-25	80	G 1/2	G 1/2	G 1/8	10	8985072102
-25	80	G 1/2	G 1/2	G 1/8	12	8985072122

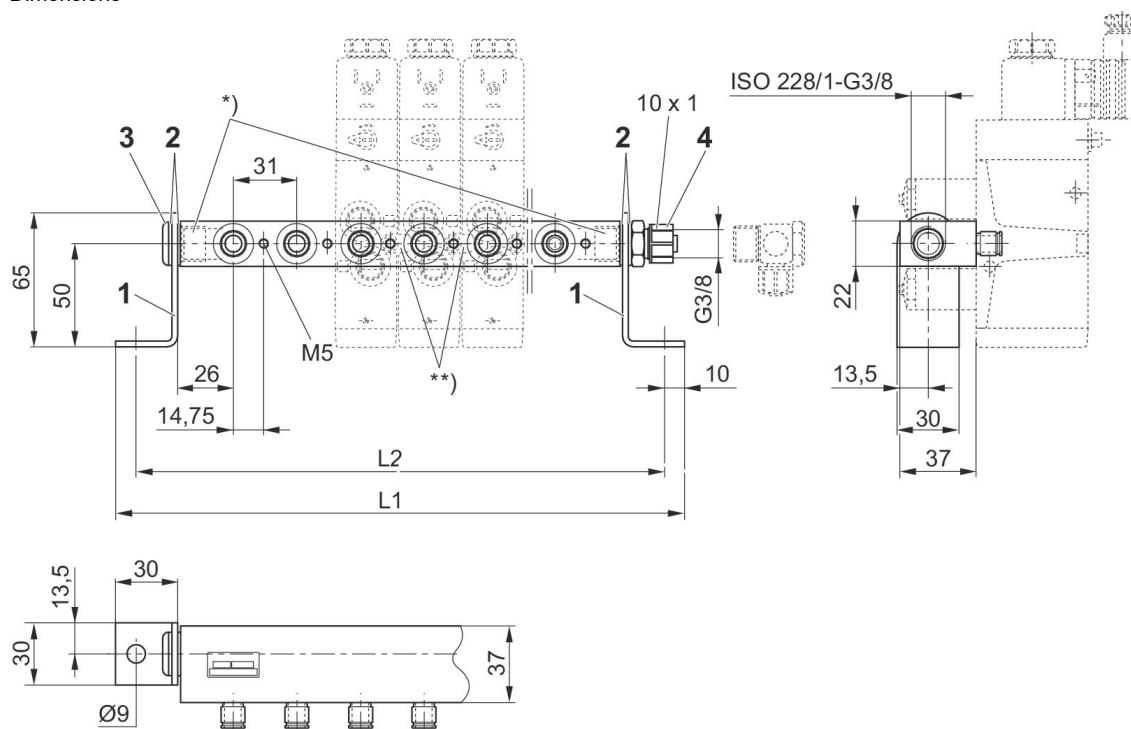


P-manifold



Min. ambient temperature [°C]	Max. ambient temperature [°C]	Compressed air connection input	Compressed air connection, exhaust	Max. number of valve positions	Part No.
-25	80	Ø 10x1	Ø 10x1	2	3337120222
-25	80	Ø 10x1	Ø 10x1	3	3337120232
-25	80	Ø 10x1	Ø 10x1	4	3337120242
-25	80	Ø 10x1	Ø 10x1	5	3337120252
-25	80	Ø 10x1	Ø 10x1	6	3337120262
-25	80	Ø 10x1	Ø 10x1	7	3337120272
-25	80	Ø 10x1	Ø 10x1	8	3337120282
-25	80	Ø 10x1	Ø 10x1	9	3337120292
-25	80	Ø 10x1	Ø 10x1	10	3337120302
-25	80	Ø 10x1	Ø 10x1	11	3337120312
-25	80	Ø 10x1	Ø 10x1	12	3337120322

Dimensions



Angled bracket (1), seal DIN 7603 Al (2), blanking screw G 3/8 ISO 228/1 (3), push-in fittings G 3/8 ISO 228/1, diameter 10x1 (4)

\* Only use fittings with max. length of thread engagement equal to 12 mm.

\*\* Connection kit 3354600002 for 5/2- and 5/3-directional valves

Valve mounting screws (depending on the valve used): washer, screw, O-ring must be ordered separately.

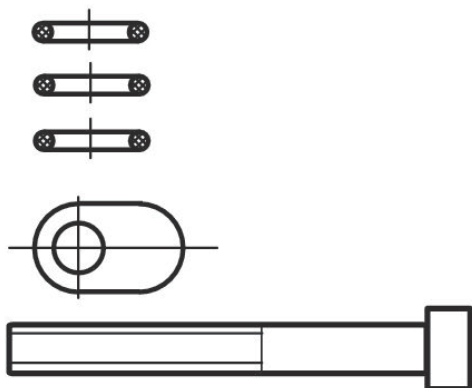
Part No.	L1	L2
3337120222	152	132
3337120232	183	163
3337120242	214	194
3337120252	245	225
3337120262	276	256
3337120272	307	287
3337120282	338	318
3337120292	369	349
3337120302	400	380
3337120312	431	411
3337120322	462	442

Accessories, Series CD07, R, P, S subbase

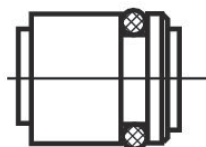


Type	Delivery unit [piece]	Weight [kg]	Fig.	Part No.
Mounting kit for 10 valves, delivery includes: 30 seals, 10 washers, and 10 mounting screws.	1	0.125	Fig. 1	3354600002
P plug	1	0.022	Fig. 2	3354600082
R/S plug	1	0.023	Fig. 3	3354600072
Seal for external pilot	1	0.001	Fig. 4	8970810404

3354600002



3354600082



3354600072



8970810404



**Silencers, series SI1, Sintered bronze**

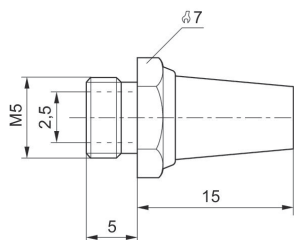
Compressed air connection type: External thread  
 Silencer material: Sintered bronze  
 Ambient temperature min./max.: -25 °C ... 80 °C  
 Working pressure min./max.: 0 bar ... 10 bar



G	Sound pressure level [dB]	Nominal flow [l/min]	Delivery unit [piece]	Weight [kg]	Part No.
M5	72	398	10	0.004	1827000006
M7			10	0.005	8140000700
M10x1	75	1747	1	0.011	5324001110
M12x1,5	80	3049	1	0.019	5324001170
M14x1,5	80	3390	1	0.018	5324001120
M22x1,5	85	7223	1	0.071	5324001140
G 1/8	75	1623	10	0.01	1827000000
G 1/4	98	5950	10	0.013	R412004817
G 1/4	79	3390	10	0.02	1827000001
G 3/8	84	6554	5	0.05	1827000002
G 1/2	90	7223	2	0.08	1827000003
G 3/4	92	8394	1	0.13	1827000004
G 1	102	12848	1	0.18	1827000005

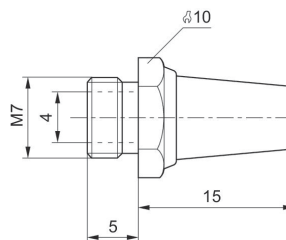
**1827000006**

Dimensions in mm



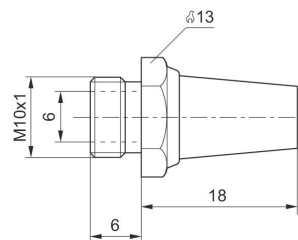
**8140000700**

Dimensions in mm



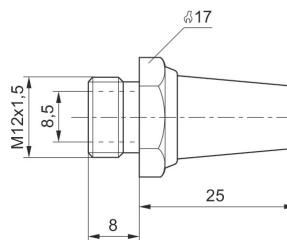
**5324001110**

Dimensions in mm



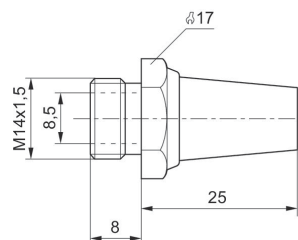
**5324001170**

Dimensions in mm



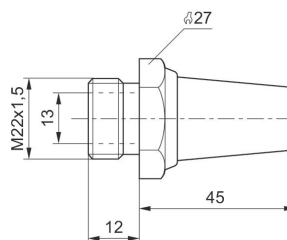
**5324001120**

Dimensions in mm



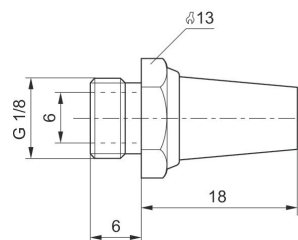
**5324001140**

Dimensions in mm



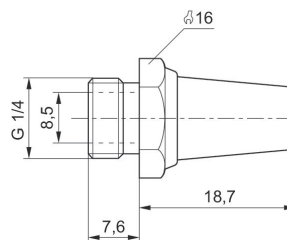
**1827000000**

Dimensions in mm



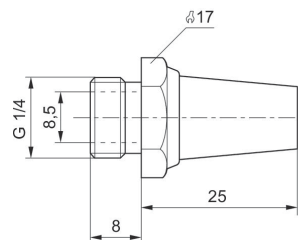
**R412004817**

Dimensions in mm



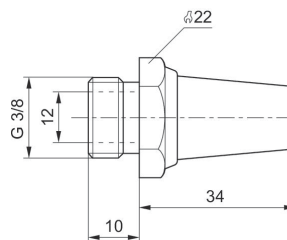
**1827000001**

Dimensions in mm



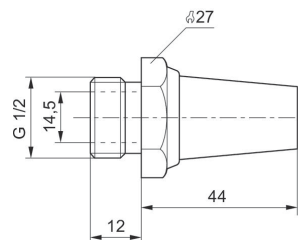
**1827000002**

Dimensions in mm



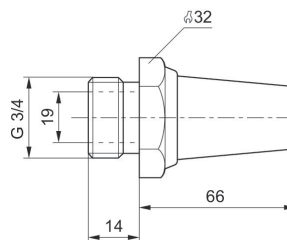
**1827000003**

Dimensions in mm



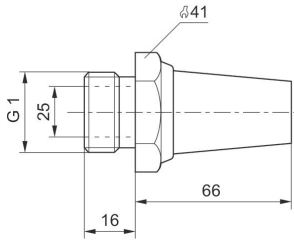
**1827000004**

Dimensions in mm



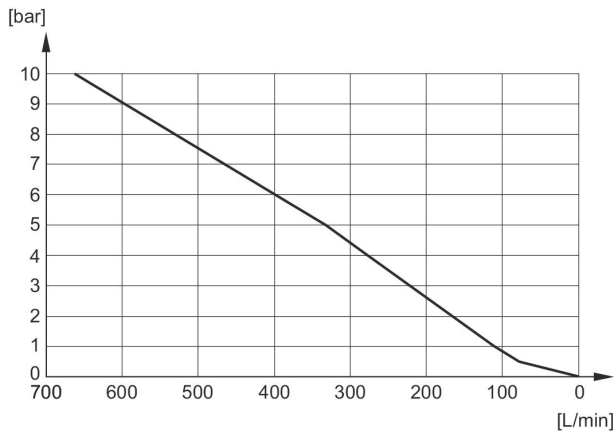
**1827000005**

Dimensions in mm



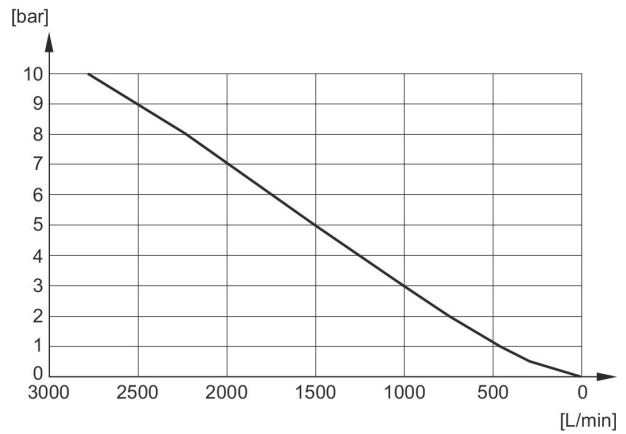
**Flow diagram**

**1827000006**



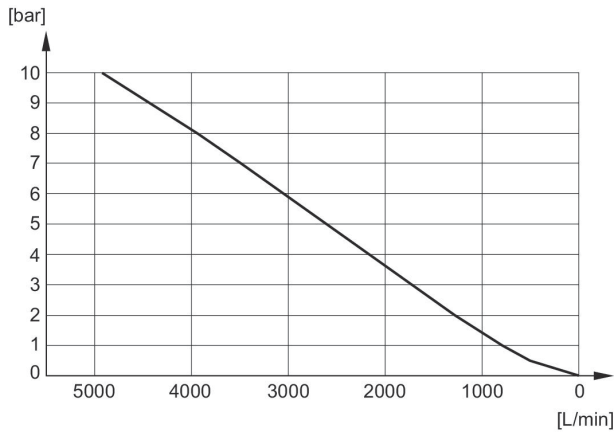
**Flow diagram**

**5324001110**



**Flow diagram**

**5324001170**



**Flow diagram**

**5324001120**

