

CNOMO NFE 49-001, Series C12P



AVENTICS™

**AVENTICS Series C12P Tie rod
cylinders**


EMERSON™

CNOMO NFE 49-001, Series C12P

The AVENTICS Series C12P is a cylinder Series according the standard CNOMO NFE 49-001 and offer a replacement for existing application.

- Tie rod cylinder CNOMO NFE 49-001
- According to NFE 49-001
- Ø 25 ... 200 mm
- Max. stroke: 2300 mm
- Robust design
- Optional: through piston rod, heat resistant



Product overview

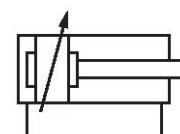
	Page
Metric	
Tie rod cylinder, CNOMO NFE 49-001, Series C12P..... Double-acting - single - Pneumatic adjustable cushioning - Piston without magnet - External thread - Optionally heat-resistant	5
Tie rod cylinder, CNOMO NFE 49-001, Series C12P..... Double-acting - through - Pneumatic adjustable cushioning - Piston with magnet - External thread - Optionally heat-resistant	9
Tie rod cylinder, CNOMO NFE 49-001, Series C12P..... Double-acting - single - Pneumatic adjustable cushioning - Piston with magnet - External thread	13
Tie rod cylinder, CNOMO NFE 49-001, Series C12P..... Double-acting - single - Pneumatic adjustable cushioning - Piston with magnet - External thread - Optionally heat-resistant - with trunnion mounting	17
Accessories C12P	
Bearing block, Series AB7..... CNOMO / NFE 49-001 - Aluminum	21
Clevis mounting MP2, Series CM1..... CNOMO / NFE 49-001	23
Clevis mounting MP2, with bolt..... CNOMO / NFE 49-001 - Aluminum	25
Clevis mounting MP2, with bolt/rear eye..... CNOMO / NFE 49-001 - Aluminum	28
Clevis mounting MP2, with bolt/rear eye/bearing block..... CNOMO / NFE 49-001 - Aluminum	31
Rear eye, for series C12P.....	34
Rear eye, for series C12P with bolt.....	36
Bearing, Series CM1..... for trunnion mounting	38
Bearing AT4, Series CM1..... for trunnion mounting MT4, MT5, MT6	40
Bolts, AA4..... Steel, chrome-plated - for clevis mounting MP2 - CNOMO / NFE 49-001	42
Flange mounting, Series MF1, MF2..... CNOMO / NFE 49-001	44
Foot mountings CNOMO NFE 49-001, Series C12P wide version.....	46
Foot mountings CNOMO NFE 49-001, Series C12P.....	48
Rod clevis with circlip, Series AP2, CNOMO.....	50
Ball eye rod end AP6, galvanized Steel..... with flange	51
Piston rod end plate.....	54
Piston rod nut MR9.....	55
Sensor, Series ST6..... without wire end ferrule, tin-plated - Reed	58
Sensor, Series ST6..... Plug - M8x1	61
Sensors, Series SM6, with cable, without wire end ferrule, tin-plated.....	64
Sensors, Series SM6, with cable, plug M8x1..... Plug	66
Sensor, Series SN6, Form B, industry.....	68
Sensor, Series SN6, open cable ends.....	70

Product overview

	Page
Sensor mounting, Series CB1.....	72
Sensor mounting, Series CB1..... ST6 SM6 SN1 SN2	73
Sensor mounting, Series CB1..... ST6 SM6	74
Sensor mounting, Series CB1..... SN6	75
Round plug connector, Series CON-RD..... Socket - M8x1 - 3-pin - straight - Soldering	76
Round plug connector, Series CON-RD..... Socket - M8x1 - 3-pin - angled - Soldering	77
Round plug connector, Series CON-RD..... Socket - M8x1 - 3-pin - straight - open cable ends - 3-pin	78
Round plug connector, Series CON-RD..... Socket - M8x1 - 3-pin - angled - open cable ends - 3-pin	80

Tie rod cylinder, CNOMO NFE 49-001, Series C12P

Standards: CNOMO / NFE 49-001
 Functional principle: Double-acting
 Piston: Piston without magnet
 Cushioning: Pneumatic adjustable cushioning
 Piston rod: External thread
 Piston rod: single
 Compressed air connection: Internal thread
 : Optionally heat-resistant
 Ambient temperature min./max.: -20 °C ... 80 °C
 Medium temperature min./max.: -20 °C ... 80 °C
 Working pressure min./max.: 2 bar ... 10 bar



Piston Ø	25 mm	32 mm	40 mm	50 mm	63 mm	80 mm
Piston rod thread	M10x1,5	M10x1,5	M16x1,5	M16x1,5	M20x1,5	M20x1,5
Ports	G 1/8	G 1/8	G 1/4	G 1/4	G 3/8	G 3/8
Stroke 25	7472021375	7472022357	7472406622	7472409225	R422700862	R422702161
50	7471323938	7472407255	7471323782	7472022353	7472408333	7472407308
75	7471326291	7471323019	7471323635	7471314844	7471323636	7472413875
80	-	-	-	7472410143	7471325687	R422702930
100	7472021306	7472022359	7471323351	7471325013	7471323565	R422711132
125	7472021423	7472415023	R422701702	7472406738	7471323564	R422701689
150	7471325225	7472020278	7472406392	7472020771	7472405191	7472407112
200	7472021307	7472406069	7471327025	7472406297	7471317716	7471325322
250	7472021425	7472408135	7472408589	7472406739	7471324119	7472406380
300	7472410994	7472407872	7471323634	7472410346	7472409996	R422710660
350	7472021270	7472415302	7472411100	R422701688	-	7472408586
400	7472401648	-	7472407010	7472409603	7472409320	7472407310
450	-	-	7471324059	-	-	R422702463
500	7472415190	7471323208	7472409157	7472409483	R422702553	-

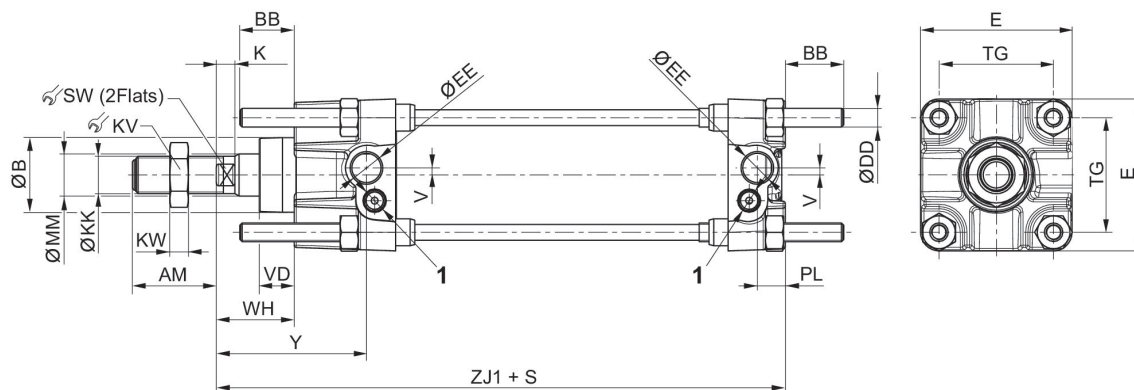
Piston Ø	100 mm	125 mm	160 mm	200 mm
Piston rod thread	M27x2	M27x2	M36x2	M36x2
Ports	G 1/2	G 1/2	G 3/4	G 3/4
Stroke 25	7472407578	R422709969	-	-
50	7472406603	7472408335	7472408336	7472408337
75	7471322980	7471325478	7472406019	7471326900
80	R422706127	7472409363	-	-
100	7472406081	7472023817	7472408334	7472408338
125	7471323871	7471323873	7471323872	7472020636

Piston Ø	100 mm	125 mm	160 mm	200 mm
Piston rod thread	M27x2	M27x2	M36x2	M36x2
Ports	G 1/2	G 1/2	G 3/4	G 3/4
150	7472406273	7471325104	7472407361	7471305476
200	7472407023	R422705433	R422705841	7472408625
250	7471325321	7471323026	7471315415	-
300	7472025400	7472406294	7472411971	-
350	7471323563	7472410120	-	-
400	7472406082	R422703534	R422705879	7472023503
450	7472022334	7472408587	-	-
500	7471326316	7471323826	7472414254	7472406281

Piston Ø	25 mm	32 mm	40 mm	50 mm	63 mm	80 mm
Retracting piston force	238 N	435 N	600 N	1077 N	1724 N	2927 N
Extracting piston force	309 N	507 N	792 N	1237 N	1964 N	3167 N
Weight 10 mm stroke	0.028 kg	0.035 kg	0.055 kg	0.068 kg	0.086 kg	0.137 kg
Weight 0 mm stroke	0.33 kg	0.38 kg	0.75 kg	1.1 kg	1.93 kg	2.03 kg

Piston Ø	100 mm	125 mm	160 mm	200 mm
Retracting piston force	4503 N	7286 N	11875 N	19000 N
Extracting piston force	4948 N	7731 N	12667 N	19792 N
Weight 10 mm stroke	0.183 kg	0.202 kg	0.352 kg	0.54 kg
Weight 0 mm stroke	4.2 kg	5.06 kg	11.6 kg	14.5 kg

Dimensions



1) Flow control screw
S=stroke

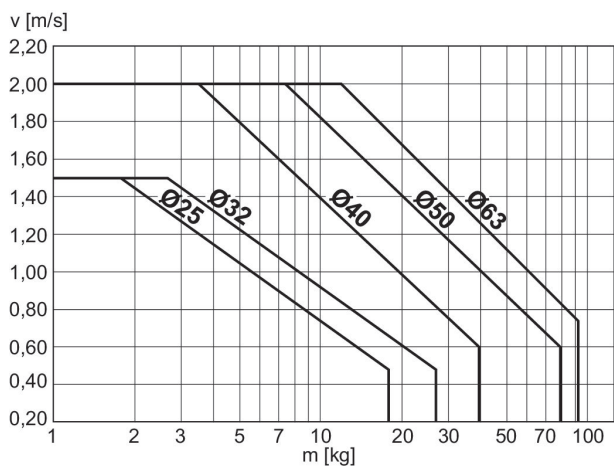
Piston \varnothing	AM	BB	$\varnothing B e9$	$\varnothing DD$	E	$\varnothing EE$	K	$\varnothing KK$	KV
25	20	17	25	M6	40	G1/8	6	M10x1,5	17
32	20	17	25	M6	45	G1/8	6	M10x1,5	17
40	36	17	32	M6	52	G1/4	8	M16x1,5	24
50	36	23	32	M8	65	G1/4	8	M16x1,5	24
63	46	23	45	M8	75	G3/8	10	M20x1,5	30
80	46	28	45	M10	95	G3/8	10	M20x1,5	30
100	63	28	55	M10	115	G1/2	16	M27x2	41
125	63	34	55	M12	140	G1/2	16	M27x2	41
160	85	42	65	M16	180	G3/4	16	M36x2	55
200	85	42	65	M16	220	G3/4	16	M36x2	55

Piston \varnothing	KW	$\varnothing MM$	PL	SW	TG	V	VD	WH	Y
25	5	12	9	8	28	-	15	25	44
32	5	12	9	8	33	-	15	25	44
40	8	18	12	13	40	3	15	34	65
50	8	18	12	13	49	3	15	34	65
63	10	22	14	17	59	5	20	39	71
80	10	22	14	17	75	9	20	39	71
100	13,5	30	18	22	90	-	20	47	84
125	13,5	30	18	22	110	-	20	47	84
160	18	40	35	32	140	-	20*	80	115
200	18	40	35	32	175	-	20*	80	115

Piston Ø	ZJ1
25	105
32	105
40	144
50	144
63	164
80	164
100	192
125	192
160	260
200	260

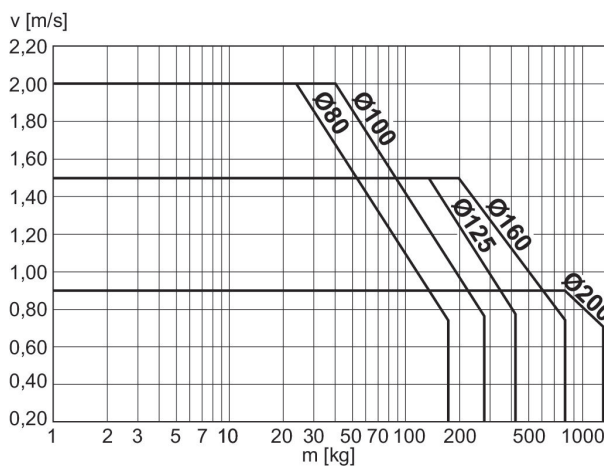
* Dimension is 5 mm shorter than according to CNOMO NFE 49-001

Cushioning diagram



v_t = Piston velocity [m/s] m = Cushionable mass [kg]

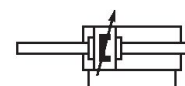
Cushioning diagram



v_t = Piston velocity [m/s] m = Cushionable mass [kg]

Tie rod cylinder, CNOMO NFE 49-001, Series C12P

Standards: CNOMO / NFE 49-001
 Functional principle: Double-acting
 Piston: Piston with magnet
 Cushioning: Pneumatic adjustable cushioning
 Piston rod: External thread
 Piston rod: through
 Compressed air connection: Internal thread
 : Optionally heat-resistant
 Ambient temperature min./max.: -20 °C ... 80 °C
 Medium temperature min./max.: -20 °C ... 80 °C
 Working pressure min./max.: 2 bar ... 10 bar



Piston Ø	32 mm	40 mm	50 mm	63 mm	80 mm	100 mm
Piston rod thread	M10x1,5	M16x1,5	M16x1,5	M16x1,5	M20x1,5	M27x2
Ports	G 1/8	G 1/4	G 1/4	G 1/4	G 3/8	G 1/2
Stroke 25	7472402181	7472023529	R422703905	-	-	-
50	7472021550	7472022041	7471324420	7471326289	7472406150	R422708943
75	7471317888	7472022042	7471310083	-	-	7471324896
80	7472023405	7472023994	-	-	-	-
100	7471312799	7472022040	7471317521	7472023562	-	7471311782
125	R422702965	-	R422700407	7471325319	-	-
150	-	7471317115	7471324774	7471321341	7471317054	7471323790
200	R422710055	7472025980	7471322385	7472023563	7471315154	7472022039
250	R422711629	-	7471320419	-	7471314450	7471326059
300	-	R422703040	7471321031	-	R422710174	-
350	-	-	R422703927	-	7472414071	-
400	-	7471325091	7471318216	R422705208	7471323908	7472411264
450	7472020401	-	-	7471326742	-	-
500	-	-	R422709680	7471321871	7472024901	-

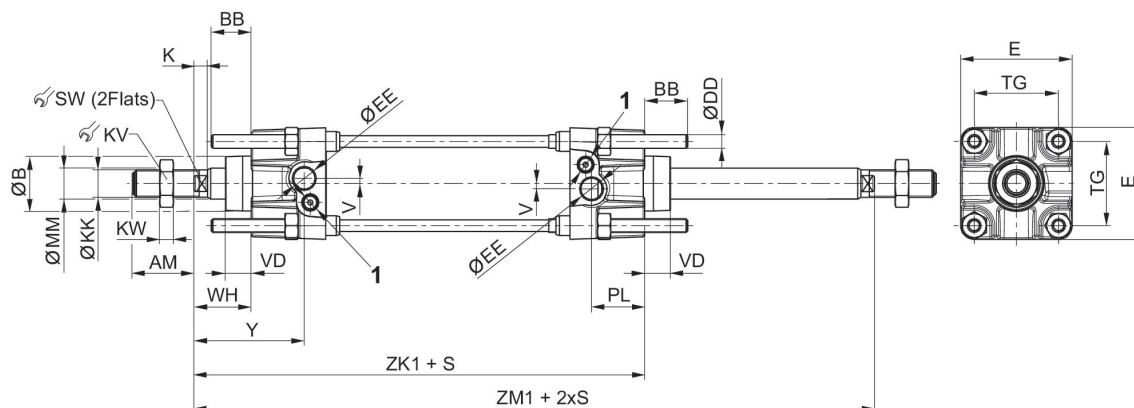
Piston Ø	125 mm	160 mm	200 mm
Piston rod thread	M27x2	M36x2	M36x2
Ports	G 1/2	G 3/4	G 3/4
Stroke 25	-	-	-
50	-	R422715098	R422715100
75	-	-	-
80	-	-	-
100	7471326797	R422715099	R422715101
125	-	-	-
150	7471326351	-	-

Piston Ø	125 mm	160 mm	200 mm
Piston rod thread	M27x2	M36x2	M36x2
Ports	G 1/2	G 3/4	G 3/4
200	7472020130	-	-
250	R422702924	-	-
300	7471313096	-	-
350	-	-	-
400	-	-	-
450	-	-	-
500	-	-	-

Piston Ø	32 mm	40 mm	50 mm	63 mm	80 mm	100 mm
Retracting piston force	435 N	600 N	1077 N	1724 N	2927 N	4503 N
Extracting piston force	435 N	600 N	1077 N	1724 N	2927 N	4503 N
Weight 10 mm stroke	0.035 kg	0.055 kg	0.068 kg	0.086 kg	0.137 kg	0.183 kg
Weight 0 mm stroke	0.45 kg	1 kg	1.35 kg	2.37 kg	2.47 kg	5.2 kg

Piston Ø	125 mm	160 mm	200 mm
Retracting piston force	7286 N	11875 N	19000 N
Extracting piston force	7286 N	11875 N	19000 N
Weight 10 mm stroke	0.202 kg	0.352 kg	0.54 kg
Weight 0 mm stroke	6.05 kg	12.9 kg	16.3 kg

Dimensions



1) Flow control screw
S=stroke

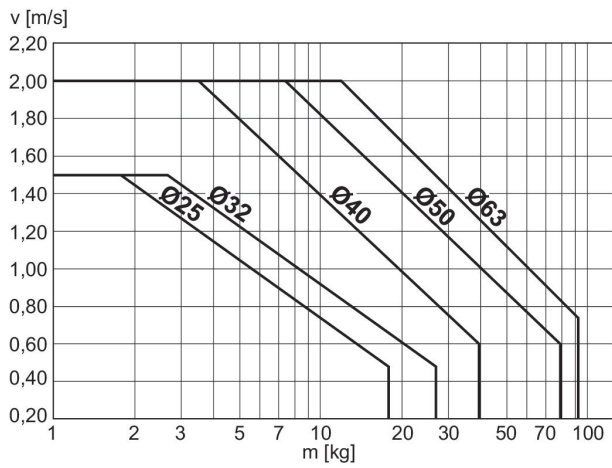
Piston \varnothing	AM	BB	$\varnothing B e9$	$\varnothing DD$	E	$\varnothing EE$	K	$\varnothing KK$	KV
32	20	17	25	M6	45	G1/8	6	M10x1,5	17
40	36	17	32	M6	52	G1/4	8	M16x1,5	24
50	36	23	32	M8	65	G1/4	8	M16x1,5	24
63	46	23	45	M8	75	G3/8	10	M20x1,5	30
80	46	28	45	M10	95	G3/8	10	M20x1,5	30
100	63	28	55	M10	115	G1/2	16	M27x2	41
125	63	34	55	M12	140	G1/2	16	M27x2	41
160	85	42	65	M16	180	G3/4	16	M36x2	55
200	85	42	65	M16	220	G3/4	16	M36x2	55

Piston \varnothing	KW	$\varnothing MM$	PL	SW	TG	V	VD	WH	Y
32	5	12	15	8	33	-	15	25	44
40	8	18	31	13	40	3	15	34	65
50	8	18	31	13	49	3	15	34	65
63	10	22	32	17	59	5	20	39	71
80	10	22	32	17	75	9	20	39	71
100	13.5	30	37	22	90	-	20	47	84
125	13.5	30	37	22	110	-	20	47	84
160	18	40	55	32	140	-	20*	80	115
200	18	40	55	32	175	-	20*	80	115

Piston \varnothing	ZK1	ZM1
32	115	140
40	163	197
50	163	197
63	182	221
80	182	221
100	211	258
125	211	258
160	260	300
200	260	300

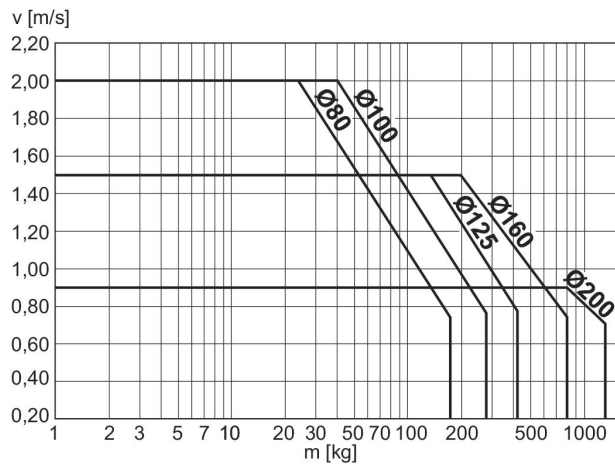
* Dimension is 5 mm shorter than according to CNOMO NFE 49-001

Cushioning diagram



v_t = Piston velocity [m/s] m = Cushionable mass [kg]

Cushioning diagram



v_t = Piston velocity [m/s] m = Cushionable mass [kg]

Tie rod cylinder, CNOMO NFE 49-001, Series C12P

Standards: CNOMO / NFE 49-001

Functional principle: Double-acting

Piston: Piston with magnet

Cushioning: Pneumatic adjustable cushioning

Piston rod: External thread

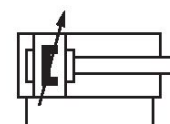
Piston rod: single

Compressed air connection: Internal thread

Ambient temperature min./max.: -20 °C ... 80 °C

Medium temperature min./max.: -20 °C ... 80 °C

Working pressure min./max.: 2 bar ... 10 bar



Piston Ø	32 mm	40 mm	50 mm	63 mm	80 mm	100 mm
Piston rod thread	M10x1,5	M16x1,5	M16x1,5	M20x1,5	M20x1,5	M27x2
Ports	G 1/8	G 1/4	G 1/4	G 3/8	G 3/8	G 1/2
Stroke 25	7472404382	7472414609	7472408174	R422702945	7472408202	7471316187
50	7472020373	7471322877	7471310407	7471315000	7472408249	7472408250
75	7472011002	7472012002	7472013002	7472014002	7472015001	7472016000
80	7471318835	R422702911	7471311603	R422705004	7472408200	-
100	7472023181	7471321388	7471313232	7472407475	7472408362	7472408141
125	7472408151	7471315903	7472020079	-	7472415199	R422701648
150	R422702876	7472408158	7471315002	7472408187	7472406097	-
200	R422701368	7471318717	R422701344	7471318262	R422709529	7471314208
250	-	R422702877	7472408176	-	7471318287	-
300	7471312499	7471326645	R422702811	7472414341	7471314123	-
350	7471314851	7471326094	7471319643	7472405557	7472408196	7472415026
400	7471313425	7472408161	7472408179	7472408189	7471326646	-
450	-	7472403842	7472404259	7472404354	-	7472020146
500	-	7471320525	7472411255	R422703385	7472407113	R422709968

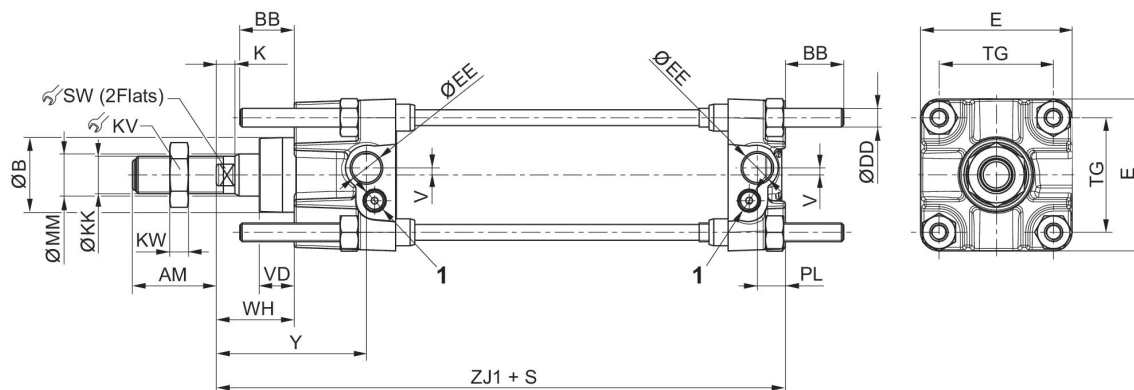
Piston Ø	125 mm	160 mm	200 mm
Piston rod thread	M27x2	M36x2	M36x2
Ports	G 1/2	G 3/4	G 3/4
Stroke 25	R422703160	-	-
50	7472408219	7472408208	7472408361
75	7472017000	7472018014	7472019014
80	-	-	-
100	7471316303	7472408363	7472408364
125	7472408214	7472411000	7472408203

Piston Ø	125 mm	160 mm	200 mm
Piston rod thread	M27x2	M36x2	M36x2
Ports	G 1/2	G 3/4	G 3/4
150	R422709768	7472408207	-
200	7472408217	-	R422702875
250	-	-	-
300	7471314424	7472408137	7472409554
350	7472411257	-	-
400	7472408218	7472406567	7472408205
450	-	-	-
500	R422703390	7472408209	7472408206

Piston Ø	32 mm	40 mm	50 mm	63 mm	80 mm	100 mm
Retracting piston force	435 N	600 N	1077 N	1724 N	2927 N	4503 N
Extracting piston force	507 N	792 N	1237 N	1964 N	3167 N	4948 N
Weight 10 mm stroke	0.035 kg	0.055 kg	0.068 kg	0.086 kg	0.137 kg	0.183 kg
Weight 0 mm stroke	0.38 kg	0.75 kg	1.1 kg	1.93 kg	2.03 kg	4.2 kg

Piston Ø	125 mm	160 mm	200 mm
Retracting piston force	7286 N	11875 N	19000 N
Extracting piston force	7731 N	12667 N	19792 N
Weight 10 mm stroke	0.202 kg	0.352 kg	0.54 kg
Weight 0 mm stroke	5.06 kg	11.6 kg	14.5 kg

Dimensions



1) Flow control screw
S=stroke

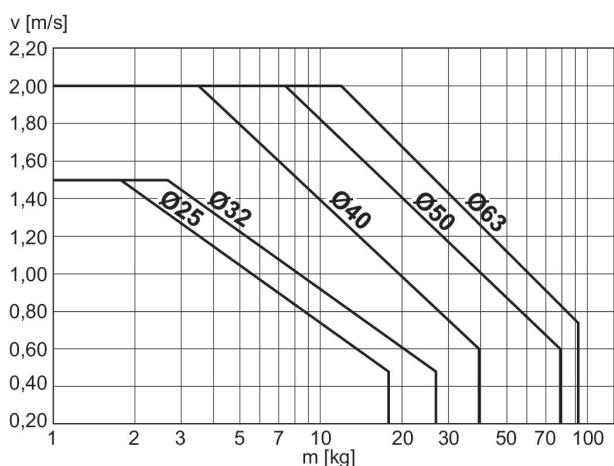
Piston Ø	AM	BB	Ø B e9	Ø DD	E	Ø EE	K	Ø KK	KV
32	20	17	25	M6	45	G1/8	6	M10x1,5	17
40	36	17	32	M6	52	G1/4	8	M16x1,5	24
50	36	23	32	M8	65	G1/4	8	M16x1,5	24
63	46	23	45	M8	75	G3/8	10	M20x1,5	30
80	46	28	45	M10	95	G3/8	10	M20x1,5	30
100	63	28	55	M10	115	G1/2	16	M27x2	41
125	63	34	55	M12	140	G1/2	16	M27x2	41
160	85	42	65	M16	180	G3/4	16	M36x2	55
200	85	42	65	M16	220	G3/4	16	M36x2	55

Piston Ø	KW	Ø MM	PL	SW	TG	V	VD	WH	Y
32	5	12	9	8	33	-	15	25	44
40	8	18	12	13	40	3	15	34	65
50	8	18	12	13	49	3	15	34	65
63	10	22	14	17	59	5	20	39	71
80	10	22	14	17	75	9	20	39	71
100	13.5	30	18	22	90	-	20	47	84
125	13.5	30	18	22	110	-	20	47	84
160	18	40	35	32	140	-	20*	80	115
200	18	40	35	32	175	-	20*	80	115

Piston Ø	ZJ1
32	105
40	144
50	144
63	164
80	164
100	192
125	192
160	260
200	260

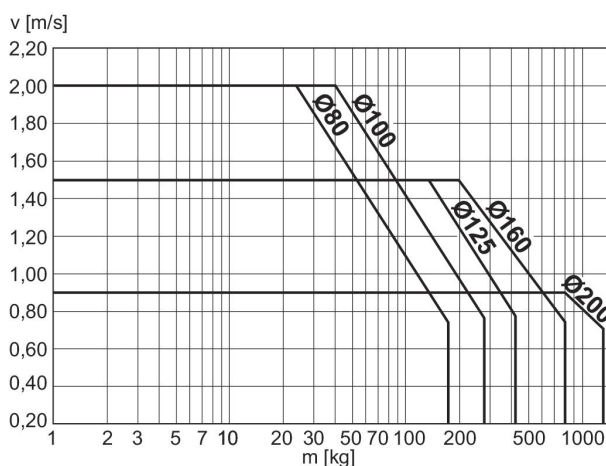
* Dimension is 5 mm shorter than according to CNOMO NFE 49-001

Cushioning diagram



v_t = Piston velocity [m/s] m = Cushionable mass [kg]

Cushioning diagram



v_t = Piston velocity [m/s] m = Cushionable mass [kg]

Tie rod cylinder, CNOMO NFE 49-001, Series C12P

Standards: CNOMO / NFE 49-001

Functional principle: Double-acting

Piston: Piston with magnet

Cushioning: Pneumatic adjustable cushioning

Piston rod: External thread

Piston rod: single

Compressed air connection: Internal thread

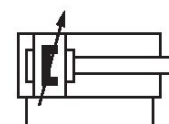
: Optionally heat-resistant

: with trunnion mounting

Ambient temperature min./max.: -20 °C ... 80 °C

Medium temperature min./max.: -20 °C ... 80 °C

Working pressure min./max.: 2 bar ... 10 bar



Piston Ø	32 mm	40 mm	50 mm	63 mm	80 mm	100 mm
Piston rod thread	M10x1,5	M16x1,5	M16x1,5	M20x1,5	M20x1,5	M27x2
Ports	G 1/8	G 1/4	G 1/4	G 3/8	G 3/8	G 1/2
Stroke 25	R422715104	R422715106	R422715108	R422715110	-	-
50	R422715105	R422715107	R422715109	R422715111	R422715112	R422715114
100	-	-	-	-	R422715113	R422715115

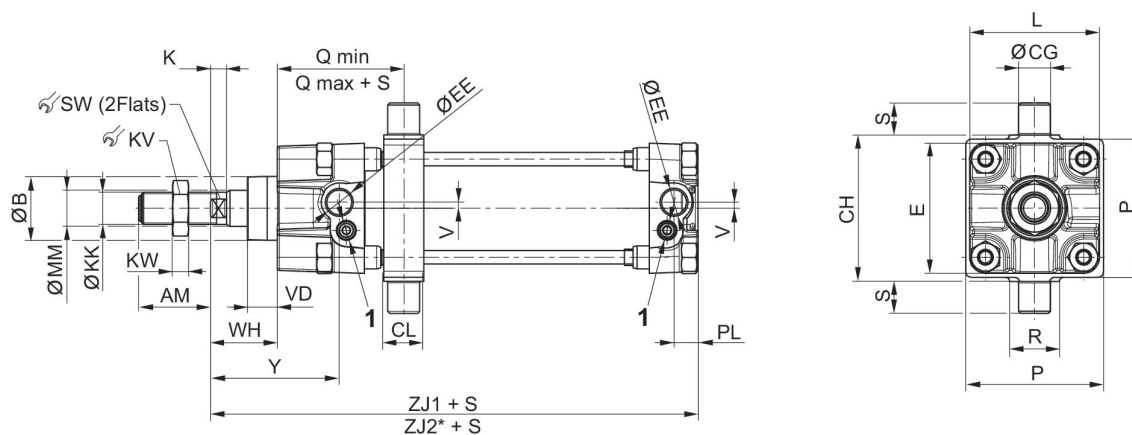
Piston Ø	125 mm	160 mm	200 mm
Piston rod thread	M27x2	M36x2	M36x2
Ports	G 1/2	G 3/4	G 3/4
Stroke 25	-	-	-
50	R422715116	R422715118	R422715120
100	R422715117	R422715119	R422715121

Piston Ø	32 mm	40 mm	50 mm	63 mm	80 mm	100 mm
Retracting piston force	435 N	600 N	1077 N	1724 N	2927 N	4503 N
Extracting piston force	507 N	792 N	1237 N	1964 N	3167 N	4948 N
Weight 10 mm stroke	0.035 kg	0.055 kg	0.068 kg	0.086 kg	0.137 kg	0.183 kg
Weight 0 mm stroke	0.38 kg	0.75 kg	1.1 kg	1.93 kg	2.03 kg	4.2 kg

Piston Ø	125 mm	160 mm	200 mm
Retracting piston force	7286 N	11875 N	19000 N
Extracting piston force	7731 N	12667 N	19792 N

Piston Ø	125 mm	160 mm	200 mm
Weight 10 mm stroke	0.202 kg	0.352 kg	0.54 kg
Weight 0 mm stroke	5.06 kg	11.6 kg	14.5 kg

Dimensions



1) Flow control screw
S=stroke

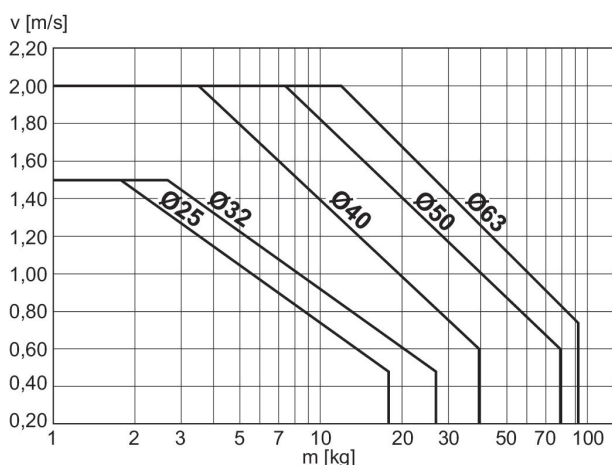
Piston \varnothing	AM	$\varnothing B \text{ e9}$	$\varnothing CG$	CH	CL	E	$\varnothing EE$	K	$\varnothing KK$
25	20	25	12	42	22	40	G1/8	6	M10x1,5
32	20	25	12	50	15	45	G1/8	6	M10x1,5
40	36	32	16	63	20	52	G1/4	8	M16x1,5
50	36	32	16	73	20	65	G1/4	8	M16x1,5
63	46	45	20	90	25	75	G3/8	10	M20x1,5
80	46	45	20	108	25	95	G3/8	10	M20x1,5
100	63	55	25	131	30	115	G1/2	16	M27x2
125	63	55	25	160	32	140	G1/2	16	M27x2
160	85	65	32	200	50	180	G3/4	16	M36x2
200	85	65	32	250	50	220	G3/4	16	M36x2

Piston \varnothing	KV	KW	$\varnothing MM$	P	PL	Q min.	Q max. + S	R	S
25	17	5	12	38	9	40	50	20	12
32	17	5	12	46	9	43	48	20	12
40	24	8	18	59	12	54	75	25	16
50	24	8	18	69	12	62	67	25	16
63	30	10	22	84	14	64	79	30	20
80	30	10	22	102	14	67	77	30	20
100	41	13.5	30	125	18	73	91	36	25
125	41	13.5	30	155	18	75	89	36	25
160	55	18	40	-	35	81	100	45	32
200	55	18	40	-	35	79	101	45	32

Piston Ø	SW	TG	V	VD	WH	Y	ZJ1	ZJ2
25	8	28	-	15	25	44	105	-
32	8	33	-	15	25	44	105	128
40	13	40	3	15	34	65	144	165
50	13	49	3	15	34	65	144	167
63	17	59	5	20	39	71	164	189
80	17	75	9	20	39	71	164	188
100	22	90	-	20	47	84	192	221
125	22	110	-	20	47	84	192	237
160	32	140	-	20*	80	115	260	272
200	32	175	-	20*	80	115	260	277

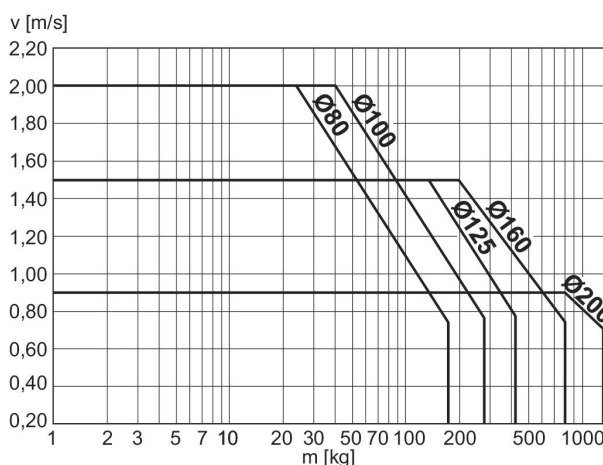
* Dimension is 5 mm shorter than according to CNOMO NFE 49-001

Cushioning diagram



v_t = Piston velocity [m/s] m = Cushionable mass [kg]

Cushioning diagram



v_t = Piston velocity [m/s] m = Cushionable mass [kg]

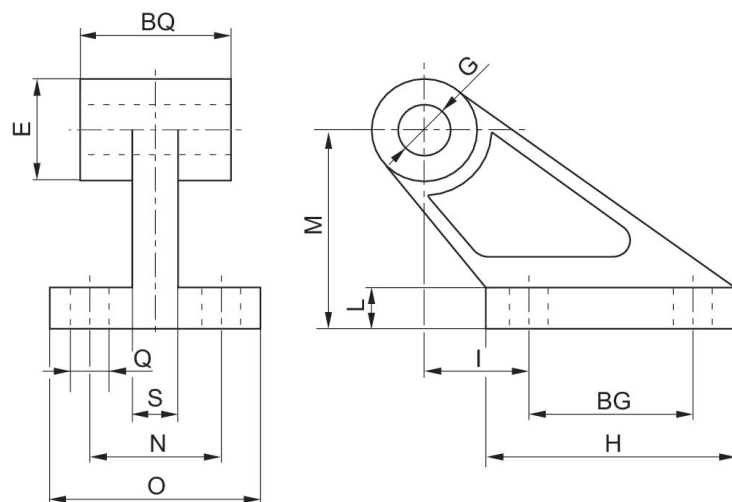
Bearing block, Series AB7

Certificates: CNOMO / NFE 49-001



Piston diameter [mm]	Swivel bearing Ø [mm]	Standardization	Material	Part No.
25, 32	10	CNOMO / NFE 49-001	Aluminum	R422003602
40, 50	10	CNOMO / NFE 49-001	Aluminum	R422003603
63, 80	10	CNOMO / NFE 49-001	Aluminum	R422003604
100, 125	10	CNOMO / NFE 49-001	Aluminum	R422003605
160, 200	10	CNOMO / NFE 49-001	Aluminum	R422003606

Dimensions



Piston Ø	Part No.	BG	BQ	G H9	H	I	L	M	N
25, 32	R422003602	20	20	8	37	18	8	32	25
40, 50	R422003603	32	32	12	54	25	10	45	32
63, 80	R422003604	50	50	16	75	32	13	63	40
100, 125	R422003605	70	70	20	103	40	17	90	50
160, 200	R422003606	110	110	25	154	50	20	140	63

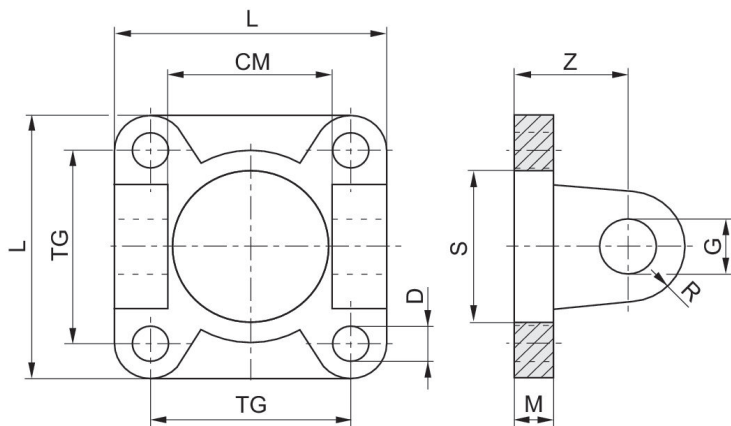
Piston Ø	O	Q H13	R max.	S
25, 32	41	7	19.5	9
40, 50	52	9	26	14
63, 80	63	11	32	14
100, 125	80	14	42	22
160, 200	111	18	54	26

Clevis mounting MP2, Series CM1



Piston diameter [mm]	Swivel bearing Ø [mm]	Standardization	Material	Part No.
25	8	CNOMO / NFE 49-001	Aluminum	1827005910
32	8	CNOMO / NFE 49-001	Aluminum	1827005911
40	12	CNOMO / NFE 49-001	Aluminum	1827005912
50	12	CNOMO / NFE 49-001	Aluminum	1827005913
63	16	CNOMO / NFE 49-001	Aluminum	1827005914
80	16	CNOMO / NFE 49-001	Aluminum	1827005915
100	20	CNOMO / NFE 49-001	Aluminum	1827005916
125	20	CNOMO / NFE 49-001	Aluminum	1827005917
160	25	CNOMO / NFE 49-001	Aluminum	7472ZZ1428
200	25	CNOMO / NFE 49-001	Aluminum	7472ZZ1429

Dimensions



Piston Ø	Part No.	CM H14	D H13	G H9	M	L	R	S	TG
25	1827005910	26	7	8	8	40	8	25	28
32	1827005911	26	7	8	8	45	8	25	33
40	1827005912	33	7	12	8	52	12	32	40
50	1827005913	33	9	12	10	65	12	32	49
63	1827005914	47	9	16	10	75	16	45	59
80	1827005915	47	11	16	12	95	16	45	75
100	1827005916	57	11	20	12	115	20	55	90
125	1827005917	57	14	20	16	140	21	55	110
160	7472ZZ1428	72	18	25	20	180	25	65	140
200	7472ZZ1429	72	18	25	20	220	25	65	175

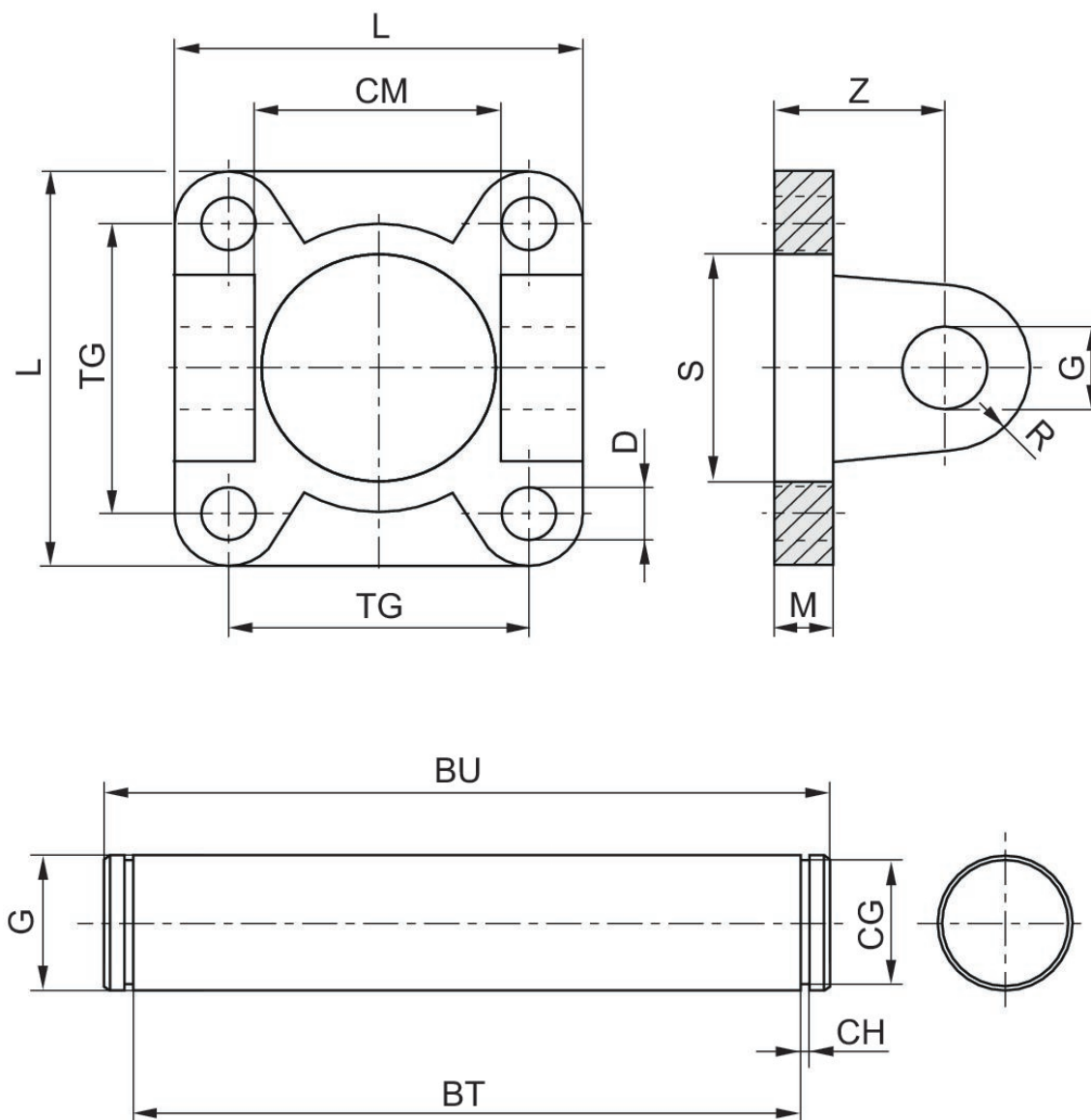
Piston Ø	Z
25	18
32	18
40	24
50	26
63	30
80	32
100	37
125	41
160	55
200	55

Clevis mounting MP2, with bolt



Piston diameter [mm]	Swivel bearing Ø [mm]	Standardization	Material	Part No.
25	8	CNOMO / NFE 49-001	Aluminum	R415024526
32	8	CNOMO / NFE 49-001	Aluminum	R415024527
40	12	CNOMO / NFE 49-001	Aluminum	R415024528
50	12	CNOMO / NFE 49-001	Aluminum	R415024529
63	16	CNOMO / NFE 49-001	Aluminum	R415024530
80	16	CNOMO / NFE 49-001	Aluminum	R415024531
100	20	CNOMO / NFE 49-001	Aluminum	R415024532
125	20	CNOMO / NFE 49-001	Aluminum	R415024533
160	25	CNOMO / NFE 49-001	Aluminum	R415024534
200	25	CNOMO / NFE 49-001	Aluminum	R415024535

Dimensions



Ø [mm]		BT	BU	CG	CH	CM H14	D H13	G	L
25	R415024526	41	47	7.6	1.1	26	7	8	40
32	R415024527	46	53	7.6	1.1	26	7	8	45
40	R415024528	53	60	11.5	1.1	33	7	12	52
50	R415024529	66	73	11.5	1.1	33	9	12	65
63	R415024530	76	83	15.2	1.1	47	9	16	75
80	R415024531	96	103	15.2	1.1	47	11	16	95
100	R415024532	117	124	19	1.3	57	11	20	115
125	R415024533	142	149	19	1.3	57	14	20	140
160	R415024534	182	189	23.9	1.3	72	18	25	180
200	R415024535	222	229	23.9	1.3	72	18	25	220

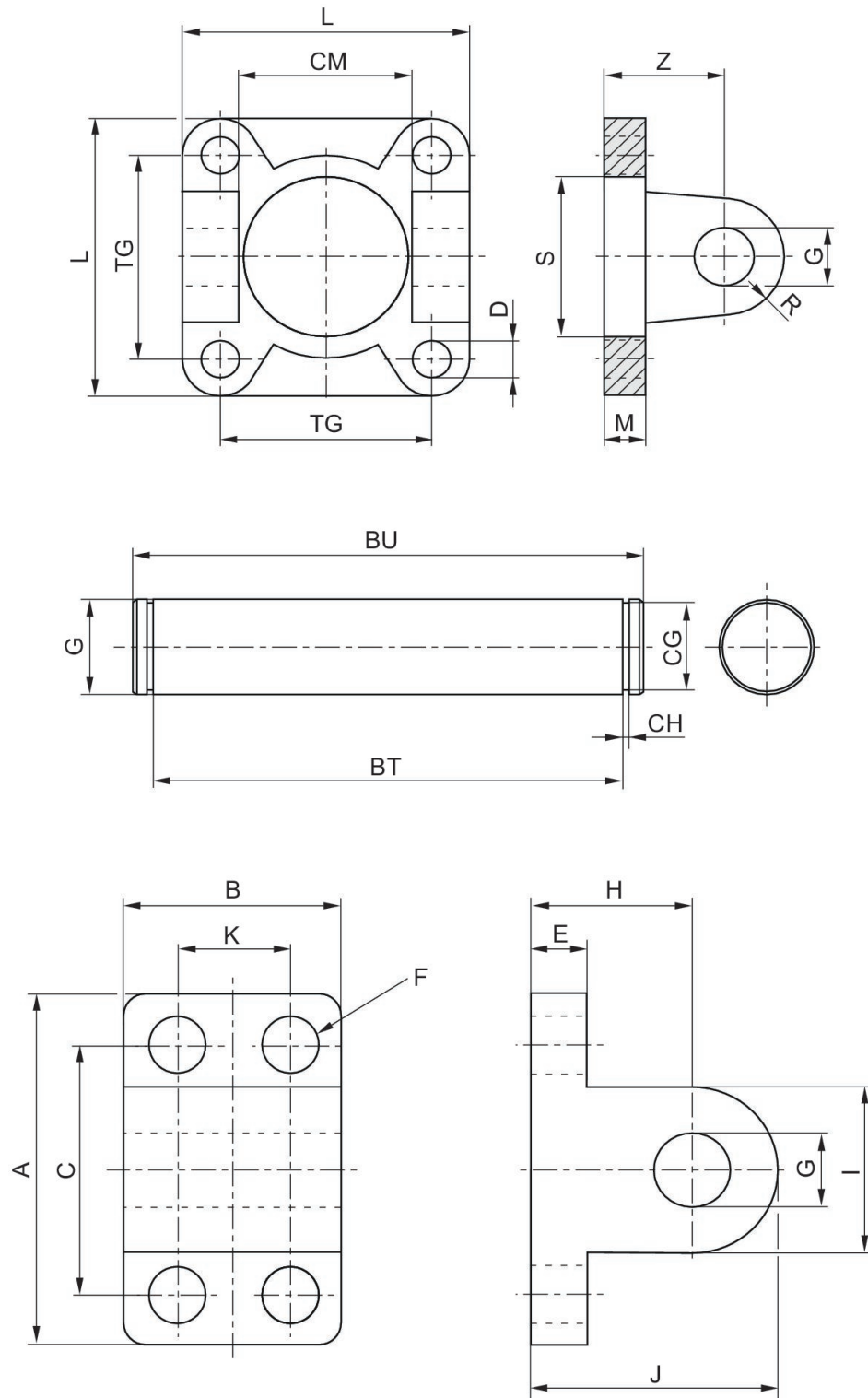
Ø [mm]	M	R	S	TG	Z
25	8	8	25	28	18
32	8	8	25	33	18
40	8	12	32	40	24
50	10	12	32	49	26
63	10	16	45	59	30
80	12	16	45	75	32
100	12	20	55	90	37
125	16	21	55	110	41
160	20	25	65	140	55
200	20	25	65	175	55

Clevis mounting MP2, with bolt/rear eye



Piston diameter [mm]	Swivel bearing Ø [mm]	Standardization	Material	Part No.
25	8	CNOMO / NFE 49-001	Aluminum	R415024536
32	8	CNOMO / NFE 49-001	Aluminum	R415024537
40	12	CNOMO / NFE 49-001	Aluminum	R415024538
50	12	CNOMO / NFE 49-001	Aluminum	R415024539
63	16	CNOMO / NFE 49-001	Aluminum	R415024540
80	16	CNOMO / NFE 49-001	Aluminum	R415024541
100	20	CNOMO / NFE 49-001	Aluminum	R415024542
125	20	CNOMO / NFE 49-001	Aluminum	R415024543
160	25	CNOMO / NFE 49-001	Aluminum	R415024544
200	25	CNOMO / NFE 49-001	Aluminum	R415024545

Dimensions



Ø [mm]		A	B	BT	BU	C	CG	CH	CM H14
25	R415024536	40	25	41	47	28	7.6	1.1	26
32	R415024537	40	25	46	53	28	7.6	1.1	26
40	R415024538	52	32	53	60	38	11.5	1.1	33
50	R415024539	52	32	66	73	38	11.5	1.1	33
63	R415024540	75	46	76	83	54	15.2	1.1	47
80	R415024541	75	46	96	103	54	15.2	1.1	47
100	R415024542	115	56	117	124	90	19	1.3	57
125	R415024543	115	56	142	149	90	19	1.3	57
160	R415024544	180	71	182	189	150	23.9	1.3	72
200	R415024545	180	71	222	229	150	23.9	1.3	72

Ø [mm]	D H13	E	F	G	H	I	J	K	L
25	7	8	7	8	18	16	26	-	40
32	7	8	7	8	18	16	26	-	45
40	7	10	9	12	26	24	38	16	52
50	9	10	9	12	26	24	38	16	65
63	9	12	11	16	34	36	52	25	75
80	11	12	11	16	34	36	52	25	95
100	11	16	14	20	41	40	61	32	115
125	14	16	14	20	41	40	61	32	140
160	18	20	18	25	55	50	80	43	180
200	18	20	18	25	55	50	80	43	220

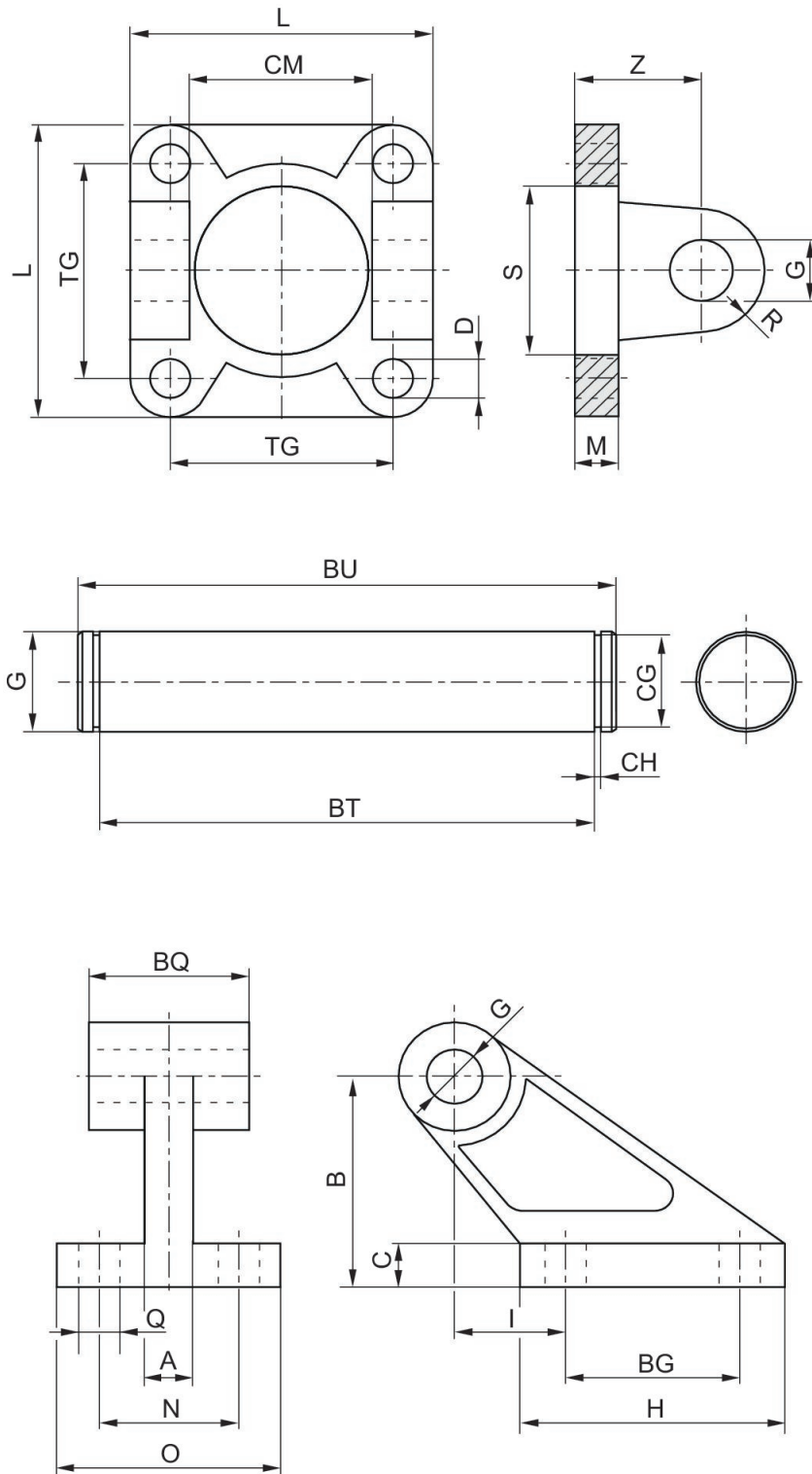
Ø [mm]	R	TG	Z
25	8	28	18
32	8	33	18
40	12	40	24
50	12	49	26
63	16	59	30
80	16	75	32
100	20	90	37
125	21	110	41
160	25	140	55
200	25	175	55

Clevis mounting MP2, with bolt/rear eye/bearing block



Piston diameter [mm]	Swivel bearing Ø [mm]	Standardization	Material	Part No.
25	8	CNOMO / NFE 49-001	Aluminum	R415024546
32	8	CNOMO / NFE 49-001	Aluminum	R415024547
40	12	CNOMO / NFE 49-001	Aluminum	R415024548
50	12	CNOMO / NFE 49-001	Aluminum	R415024549
63	16	CNOMO / NFE 49-001	Aluminum	R415024550
80	16	CNOMO / NFE 49-001	Aluminum	R415024551
100	20	CNOMO / NFE 49-001	Aluminum	R415024552
125	20	CNOMO / NFE 49-001	Aluminum	R415024553
160	25	CNOMO / NFE 49-001	Aluminum	R415024554
200	25	CNOMO / NFE 49-001	Aluminum	R415024555

Dimensions



Ø [mm]		A	B	BG	BQ	BT	BU	C	CG
25	R415024546	9	32	20	20	41	47	8	7.6
32	R415024547	9	32	20	20	46	53	8	7.6
40	R415024548	14	45	32	32	53	60	10	11.5
50	R415024549	14	45	32	32	66	73	10	11.5
63	R415024550	14	63	50	50	76	83	13	15.2
80	R415024551	14	63	50	50	96	103	13	15.2
100	R415024552	22	90	70	70	117	124	17	19
125	R415024553	22	90	70	70	142	149	17	19
160	R415024554	26	140	110	110	182	189	20	23.9
200	R415024555	26	140	110	110	222	229	20	23.9

Ø [mm]	CH	CM H14	D H13	G	H	L	M	N	O
25	1.1	26	7	8	37	40	8	25	41
32	1.1	26	7	8	37	45	8	25	41
40	1.1	33	7	12	54	52	8	32	52
50	1.1	33	9	12	54	65	10	32	52
63	1.1	47	9	16	75	75	10	40	63
80	1.1	47	11	16	75	95	12	40	63
100	1.3	57	11	20	103	115	12	50	80
125	1.3	57	14	20	103	140	16	50	80
160	1.3	72	18	25	154	180	20	63	111
200	1.3	72	18	25	154	220	20	63	111

Ø [mm]	Q	R	S	TG	Z
25	7	8	25	28	18
32	7	8	25	33	18
40	9	12	32	40	24
50	9	12	32	49	26
63	11	16	45	59	30
80	11	16	45	75	32
100	14	20	55	90	37
125	14	21	55	110	41
160	18	25	65	140	55
200	18	25	65	175	55

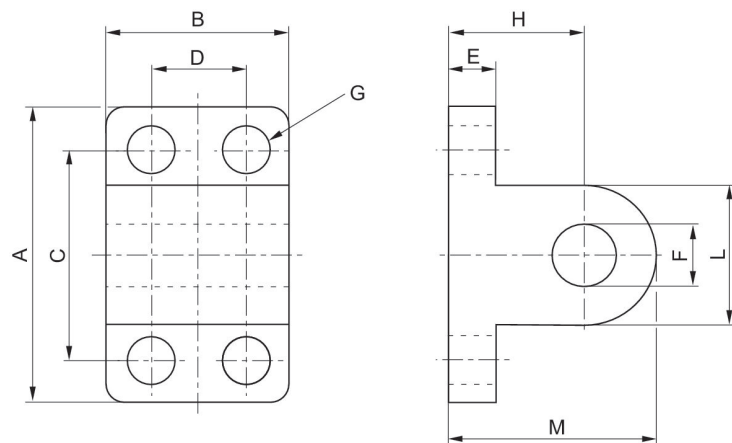
Rear eye, for series C12P

Mounting type: Rear eye
Standardization: CNOMO / NFE 49-001



Piston diameter [mm]	Swivel bearing Ø [mm]	Standardization	Material	Part No.
25, 32	8	CNOMO / NFE 49-001	Aluminum	R422003607
40, 50	12	CNOMO / NFE 49-001	Aluminum	R422003608
63, 80	16	CNOMO / NFE 49-001	Aluminum	R422003609
100, 125	20	CNOMO / NFE 49-001	Aluminum	R422003610
160, 200	25	CNOMO / NFE 49-001	Aluminum	R422003611

Dimensions



Piston Ø	Part No.	A	B	C	D	E	F H9	G	H
25, 32	R422003607	40	25	28	-	8	8	7	18
40, 50	R422003608	52	32	38	16	10	12	9	26
63, 80	R422003609	75	46	54	25	12	16	11	34
100,125	R422003610	115	56	90	32	16	20	14	41
160, 200	R422003611	180	71	150	43	20	25	18	55

Piston Ø	L 1)	M 1)
25, 32	16	26
40, 50	24	38
63, 80	36	52
100,125	40	61
160, 200	50	80

1) Max.

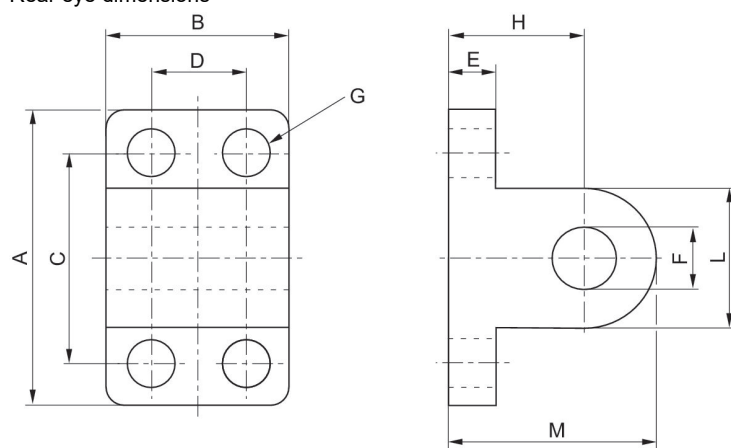
Rear eye, for series C12P with bolt

Mounting type: Rear eye
Standardization: CNOMO / NFE 49-001

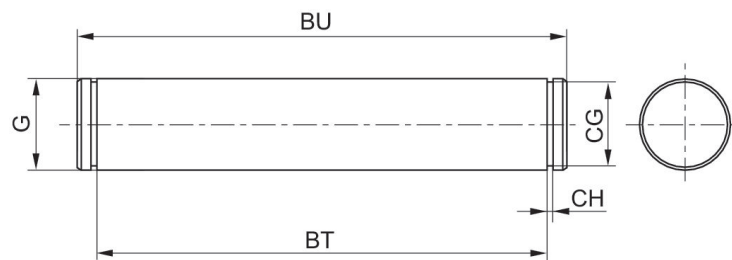


Piston diameter [mm]	Standardization	Material	Part No.
32	CNOMO / NFE 49-001	Aluminum	5210163472
40	CNOMO / NFE 49-001	Aluminum	5210263472
50	CNOMO / NFE 49-001	Aluminum	5210363472
63	CNOMO / NFE 49-001	Aluminum	5210463472
80	CNOMO / NFE 49-001	Aluminum	5210563472
100	CNOMO / NFE 49-001	Aluminum	5210663472
125	CNOMO / NFE 49-001	Aluminum	5210763472

Rear eye dimensions



Bolt dimensions



Piston Ø	A	B	C	D	E	F H9	G	H	L 1)
32	40	25	28	-	8	8	7	18	16
40	52	32	38	16	10	12	9	26	24
50	52	32	38	16	10	12	9	26	24
63	75	46	54	25	12	16	11	34	36
80	75	46	54	25	12	16	11	34	36
100	115	56	90	32	16	20	14	41	40
125	115	56	90	32	16	20	14	41	40

Piston Ø	M 1)	BT	BU	CG	CH	G f7
32	26	46	53	7.6	1.1	8
40	38	53	60	11.5	1.1	12
50	38	66	73	11.5	1.1	12
63	52	76	83	15.2	1.1	16
80	52	96	103	15.2	1.1	16
100	61	117	124	19	1.3	20
125	61	142	149	19	1.3	20

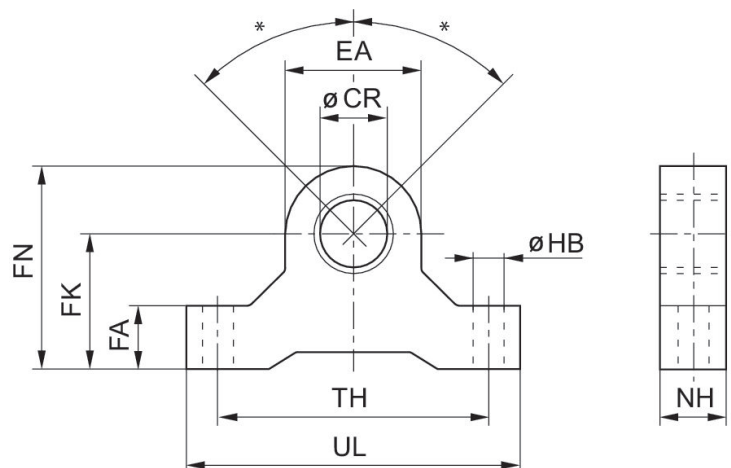
1) max.

Bearing, Series CM1



Piston diameter [mm]	Swivel bearing Ø [mm]	Material	Part No.
25	10	Aluminum	3671202000
32	12	Aluminum	3671203000
40, 50	16	Aluminum	3671204000
63, 80	20	Aluminum	3671206000
100, 125	25	Aluminum	3671210000
160, 200	32	Aluminum	3671216000

Dimensions



* Max. pendulum movement for cylinders with rear eye MP6 with ball joint: ±45°

Piston Ø	Part No.	Ø CR H8	EA	FA	FK ±0,1	FN	HB	NH	TH
25	3671202000	10	16	10	21	29	5.5	10	27
32	3671203000	12	19	11	22	32	6.6	11	44
40, 50	3671204000	16	28	16	35	49	9	16	65
63, 80	3671206000	20	38	19	40	59	9	19	80
100, 125	3671210000	25	46	22	48	71	11	22	96
100	3671212000	30	56	28	57	88	13	28	114
160, 200	3671216000	32	66	32	70	103	17	32	140
250, 320	3671220000	35	66	32	70	103	17	32	140

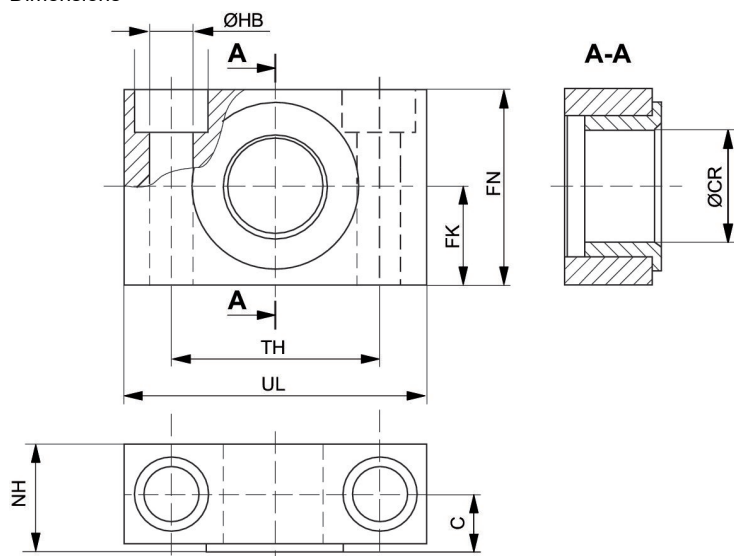
Piston Ø	UL
25	37
32	55
40, 50	82
63, 80	99
100, 125	118
100	142
160, 200	172
250, 320	172

Bearing AT4, Series CM1



Piston diameter [mm]	Swivel bearing Ø [mm]	Standardization	Material	Part No.
20, 25, 32	12	ISO 15552	Steel, chrome-plated	1827001603
40, 50	16	ISO 15552	Steel, chrome-plated	1827001604
63, 80	20	ISO 15552	Steel, chrome-plated	1827001605
100, 125	25	ISO 15552	Steel, chrome-plated	1827001606
160, 200	32	ISO 15552	Steel, chrome-plated	1827001607

Dimensions



Piston Ø	Part No.	UL	NH	TH	C	CR H9	HB H13	FN	FK
20, 25, 32	1827001603	46	18	32 ±0,2	10.5	12	6.6	30	15 ±0,1
40, 50	1827001604	55	21	36 ±0,2	12	16	9	36	18 ±0,1
63, 80	1827001605	65	23	42 ±0,2	13	20	11	40	20 ±0,1
100, 125	1827001606	75	28.5	50 ±0,2	16	25	14	50	25 ±0,1
160, 200	1827001607	92	40	60 ±0,3	22.5	32	18	60	30 ±0,2
250	1827001608	140	50	90 ±0,3	27.5	40	22	70	35 ±0,2
320	R412018903	150	60	100	32.5	50	26	80	40

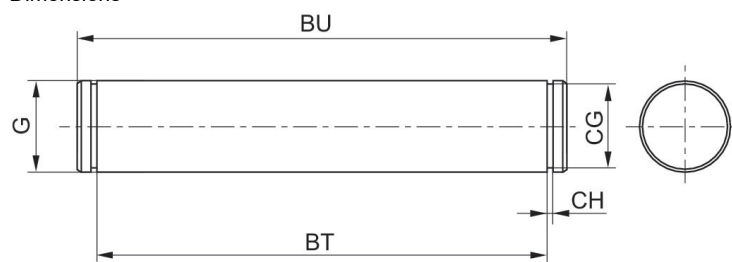
Bolts, AA4

Material: Steel, chrome-plated



Piston diameter [mm]	Standardization	Part No.
25	CNOMO / NFE 49-001	R422003612
32	CNOMO / NFE 49-001	R422003613
40	CNOMO / NFE 49-001	R422003614
50	CNOMO / NFE 49-001	R422003615
63	CNOMO / NFE 49-001	R422003616
80	CNOMO / NFE 49-001	R422003617
100	CNOMO / NFE 49-001	R422003618
125	CNOMO / NFE 49-001	R422003619
160	CNOMO / NFE 49-001	R422003620
200	CNOMO / NFE 49-001	R422003621

Dimensions



Piston Ø	Part No.	BT	BU	CG	CH	G f7
25	R422003612	41	47	7.6	1.1	8
32	R422003613	46	53	7.6	1.1	8
40	R422003614	53	60	11.5	1.1	12
50	R422003615	66	73	11.5	1.1	12
63	R422003616	76	83	15.2	1.1	16
80	R422003617	96	103	15.2	1.1	16
100	R422003618	117	124	19	1.3	20
125	R422003619	142	149	19	1.3	20
160	R422003620	182	189	23.9	1.3	25
200	R422003621	222	229	23.9	1.3	25

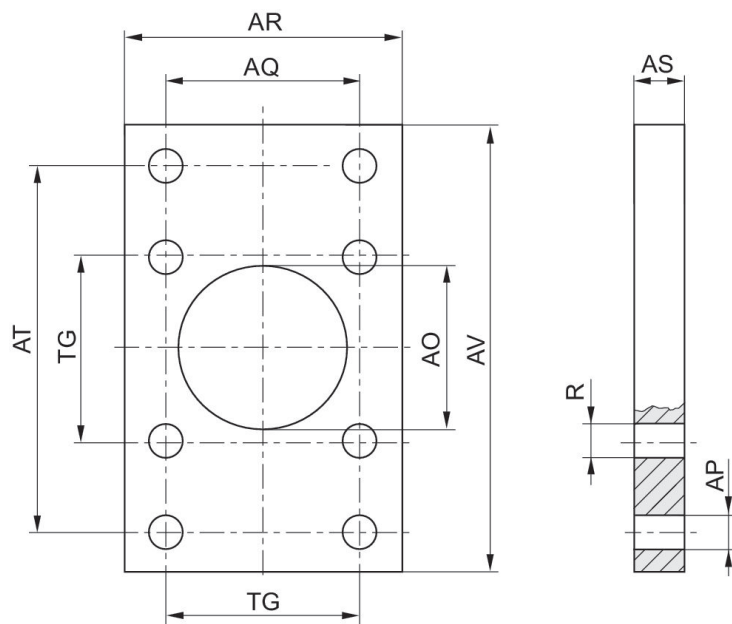
Flange mounting, Series MF1, MF2

Standards: CNOMO / NFE 49-001



Piston diameter [mm]	Swivel bearing Ø [mm]	Material	Part No.
25		Steel, chrome-plated	1827005926
32	30	Steel, chrome-plated	1827005927
40	30	Steel, chrome-plated	1827005928
50	30	Steel, chrome-plated	1827005929
63	30	Steel, chrome-plated	1827005930
80	30	Steel, chrome-plated	1827005931
100	30	Steel, chrome-plated	1827005932
125	30	Steel, chrome-plated	1827005933
160	30	Steel, chrome-plated	7472ZZ1408
200	30	Steel, chrome-plated	7472ZZ1409

Dimensions



Piston Ø	Part No.	AO H11	AP H13	AQ JS14	AR	AS	AT JS14	AV	R
25	1827005926	25	9	28	40	8	68	80	7
32	1827005927	25	9	33	45	8	68	80	7
40	1827005928	32	9	40	52	8	78	90	7
50	1827005929	32	11	49	65	10	94	110	9
63	1827005930	45	11	59	75	10	104	120	9
80	1827005931	45	14	75	95	12	130	150	11
100	1827005932	55	14	90	115	12	150	170	11
125	1827005933	55	18	110	140	16	180	205	14
160	7472ZZ1408	65	22	140	180	20	228	260	18
200	7472ZZ1409	65	22	175	220	20	268	300	18

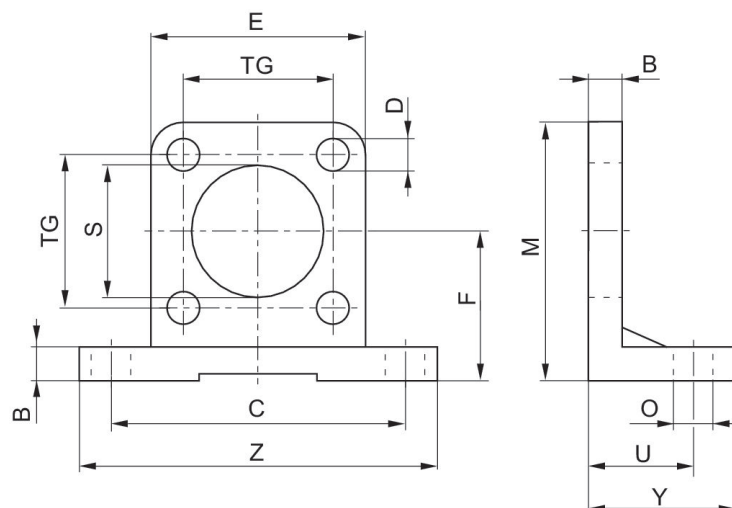
Piston Ø	TG
25	28
32	33
40	40
50	49
63	59
80	75
100	90
125	110
160	140
200	175

Foot mountings CNOMO NFE 49-001, Series C12P wide version



Piston diameter [mm]	Standardization	Material	Part No.
25	CNOMO / NFE 49-001	Aluminum	1827005870
32	CNOMO / NFE 49-001	Aluminum	1827005871
40	CNOMO / NFE 49-001	Aluminum	1827005872
50	CNOMO / NFE 49-001	Aluminum	1827005873
63	CNOMO / NFE 49-001	Aluminum	1827005874
80	CNOMO / NFE 49-001	Aluminum	1827005875
100	CNOMO / NFE 49-001	Aluminum	1827005876
125	CNOMO / NFE 49-001	Aluminum	1827005877
160	CNOMO / NFE 49-001	Aluminum	7472ZZ1483
200	CNOMO / NFE 49-001	Aluminum	7472ZZ1484

Dimensions



Piston Ø	Part No.	B	C	D	E	F	M	O	S
25	1827005870	8	58	7	40	30	50	9	25
32	1827005871	8	65	7	45	32	54	9	25
40	1827005872	8	72	7	52	36	62	9	32
50	1827005873	10	90	9	65	45	77	11	32
63	1827005874	10	100	9	75	50	87	11	45
80	1827005875	12	126	11	95	63	110	14	45
100	1827005876	12	148	11	115	73	130	14	55
125	1827005877	16	180	14	140	91	161	18	55
160	7472ZZ1483	20	230	18	180	115	205	22	65
200	7472ZZ1484	20	270	18	220	135	245	22	65

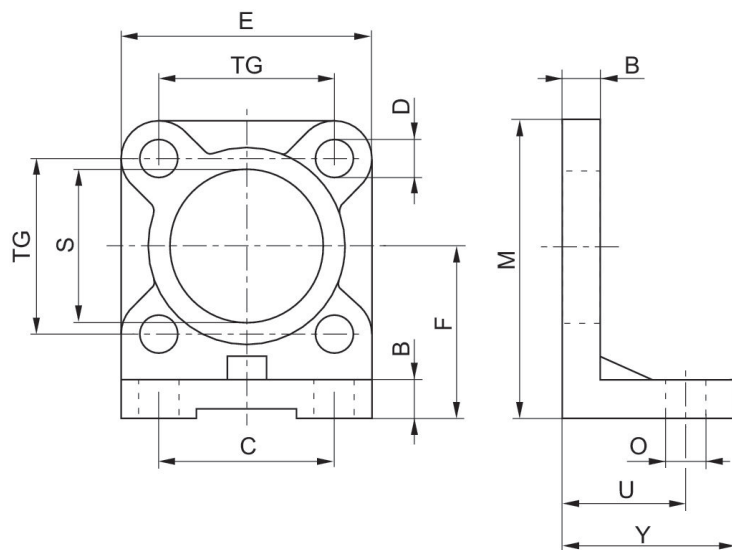
Piston Ø	TG	U	Y	Z
25	28	18	35	75
32	33	18	35	82
40	40	18	35	90
50	49	22	45	110
63	59	22	45	120
80	75	28	55	154
100	90	28	55	180
125	110	32	67.5	215
160	140	40	80	275
200	175	40	80	318

Foot mountings CNOMO NFE 49-001, Series C12P



Piston diameter [mm]	Standardization	Material	Part No.
25	CNOMO / NFE 49-001	Aluminum	1827005878
32	CNOMO / NFE 49-001	Aluminum	1827005879
40	CNOMO / NFE 49-001	Aluminum	1827005880
50	CNOMO / NFE 49-001	Aluminum	1827005881
63	CNOMO / NFE 49-001	Aluminum	1827005882
80	CNOMO / NFE 49-001	Aluminum	1827005883
100	CNOMO / NFE 49-001	Aluminum	1827005884
125	CNOMO / NFE 49-001	Aluminum	1827005885
160	CNOMO / NFE 49-001	Aluminum	7472ZZ1418
200	CNOMO / NFE 49-001	Aluminum	7472ZZ1419

Dimensions



Piston Ø	Part No.	B	C	D	E	F	M	O	S
25	1827005878	8	24	7	40	30	50	9	25
32	1827005879	8	28	7	45	32	54	9	25
40	1827005880	8	36	7	52	36	62	9	32
50	1827005881	10	45	9	65	45	77	11	32
63	1827005882	10	55	9	75	50	87	11	45
80	1827005883	12	70	11	95	63	110	14	45
100	1827005884	12	90	11	115	73	130	14	55
125	1827005885	16	110	14	140	91	161	18	55
160	7472ZZ1418	20	130	18	180	115	205	22	65
200	7472ZZ1419	20	170	18	220	135	245	22	65

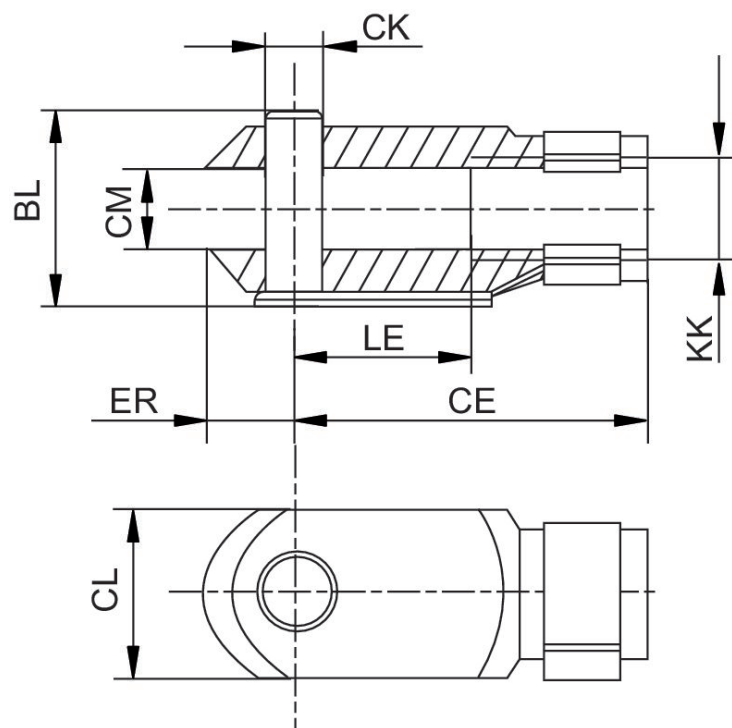
Piston Ø	TG	U	Y
25	28	27	35
32	33	27	35
40	40	27	35
50	49	35	45
63	59	35	45
80	75	43	55
100	90	43	55
125	110	52	68
160	140	62	82
200	175	62	92

Rod clevis with circlip, Series AP2, CNOMO



Suitable piston rod thread	Part No.
M10x1,5	1827009940
M16x1,5	1827009941
M20x1,5	1827009942
M27x2	1827009943
M36x2	7472ZZ1444

Dimensions



Part No.	BL	CE	ØCK e11	CL	CM	ER	KK	LE
1827009940	28	36	8	22	11	9	M10x1,5	16
1827009941	44	51	12	26	18	13	M16x1,5	25
1827009942	53	63	16	34	22	17	M20x1,5	33
1827009943	76	85	20	44	30	20	M27x2	30
7472ZZ1444	93	115	25	56	40	25	M36x2	40

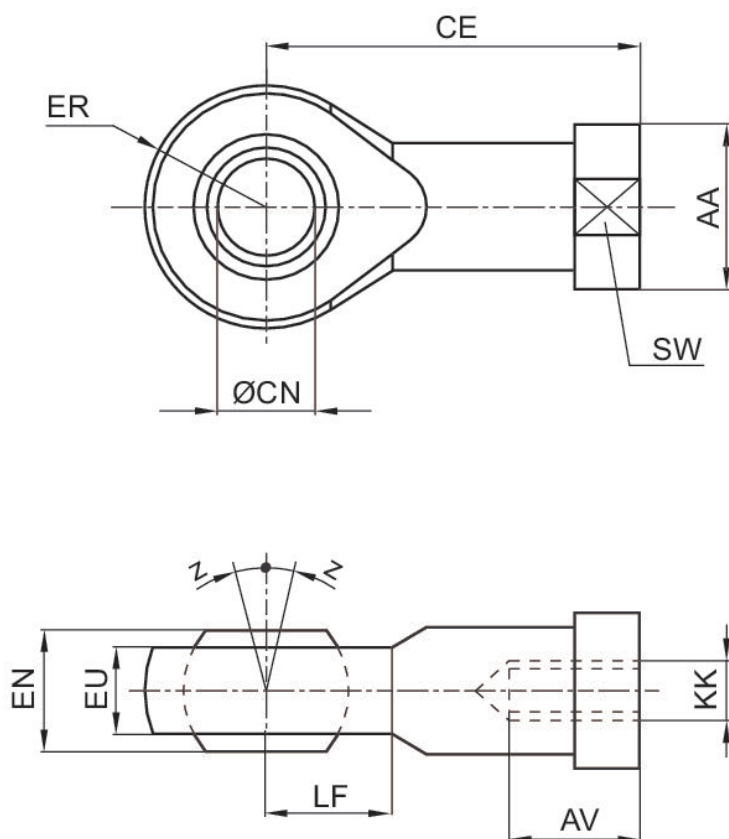
Ball eye rod end AP6, galvanized Steel

Mounting: with flange



Suitable piston rod thread	for series	Swivel bearing Ø [mm]	Weight [kg]	Part No.
M16x1,5	PRA, TRB, CCI, SSI, RPC, KPZ, 167, CVI, RDC, 102	16	0.21	1822124005
M20x1,5	PRA, TRB, KPZ, 167, CVI, 102	20	0.38	1822124006
M27x2	PRA, TRB, 167, CVI	30	1.17	1822124013

Dimensions



KK	Part No.	AA	AV min.	CE	Ø CN H7	EN -0,1	ER	EU max.	LF
M4	1822124000	12	8	27	5	8	9	7.5	9
M6	1822124001	13	9	30	6	9	10	7.5	10
M8	1822124002	16	12	36	8	12	12	9.5	12
M10	8958206402	19	20	43	10	14	14	10.5	13
M12	8958208852	22	22	50	12	16	16	12	16
M10x1,25	1822124003	19	15	43	10	14	14	11.5	14
M12x1,25	1822124004	22	18	50	12	16	16	12.5	16
M16x1,5	1822124005	27	24	64	16	21	21	15.5	21
M20x1,5	1822124006	34	30	77	20	25	25	18.5	25
M24x2	8958208002	42	36	94	25	31	30	23	30
M27x2	1822124013	50	45	110	30	37	35	27	35
M36x2	1822124008	60	56	125	35	43	40	32	40
M42x2	1822124009	69	60	142	40	49	45.5	37	45
M48x2	8958208842	75	65	160	50	60	58	45	60

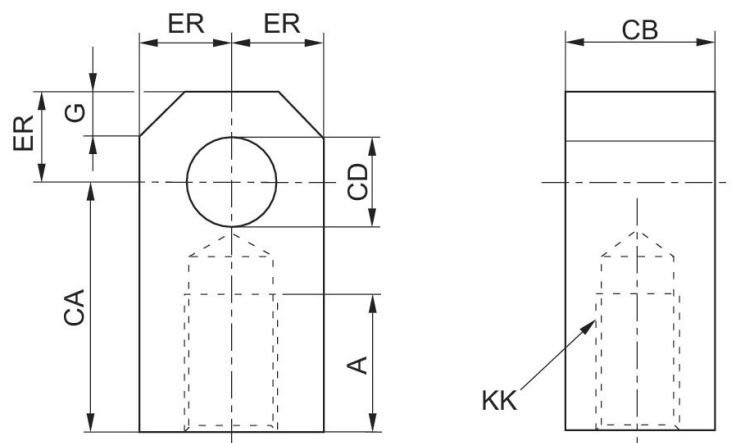
KK	SW	Z [°] max.
M4	9	4
M6	11	4
M8	14	4
M10	17	6
M12	19	13
M10x1,25	17	4
M12x1,25	19	4
M16x1,5	22	4
M20x1,5	30	4
M24x2	36	15
M27x2	41	4
M36x2	50	4
M42x2	55	4
M48x2	65	6

Piston rod end plate



Suitable piston rod thread	Weight [kg]	Part No.
M10x1,5	0.07	7472ZZ5700
M10x1,5		7472ZZ1445
M16x1,5		7472ZZ1446
M20x1,5		7472ZZ1447
M27x2		7472ZZ1448
M36x2		7472ZZ1449

Dimensions



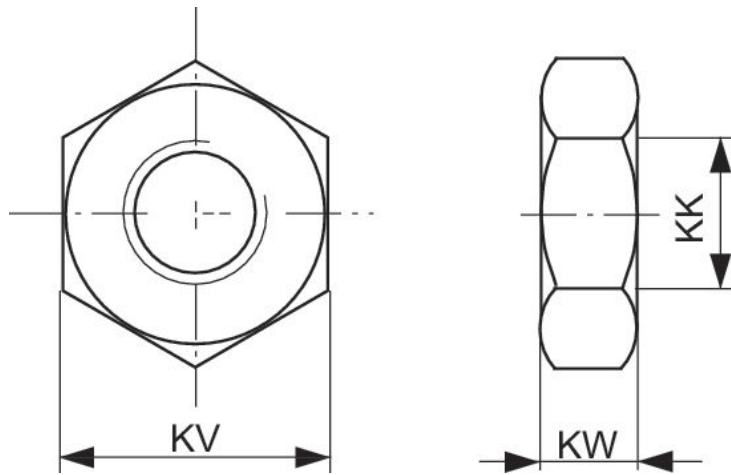
Part No.	KK	∅	A	CA	CB	CD	ER	G
7472ZZ1445	M10x1,5	25 32	20	36	11	8	9	3
7472ZZ1446	M16x1,5	40 50	30	51	18	12	13	7
7472ZZ1447	M20x1,5	63 80	36	63	22	16	17	10
7472ZZ1448	M27x2	100 125	50	85	30	20	20	13
7472ZZ1449	M36x2	160 200	70	115	40	25	25	15

Piston rod nut MR9



Thread size	Material	Part No.
M16x1,5	Steel, chrome-plated	1823300030
M20x1,5	Steel, chrome-plated	8103040344
M27x2	Steel, chrome-plated	1823A00029
M36x2	Steel, chrome-plated	8103190414

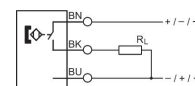
Dimensions



Part No.	KK	KV	KW
8103040114	M4		
1823300033	M6	10	3.2
1823300034	M8	13	4
8103040224	M10	17	8
1823A00020	M10x1,25		
8103060064	M12	19	10
1823A00021	M12x1,25	19	6
8103190344	M12x1,25	19	6
1823300030	M16x1,5	24	8
1823300031	M20x1,5	30	10
8103040344	M20x1,5	30	10
8103190394	M24x2	36	12
1823A00029	M27x2	41	13.5
8103190414	M36x2	50	16
8103190424	M42x2	60	21
8103190434	M48x2	65	25
3330310000	M4	7	2.2
8103190644	M6	10	3.2
3330316000	M6		
8103190164	M8	13	4
3330320000	M8		
8103190464	M10x1,25	17	5
3590302000	M10x1,25		
3590304000	M12x1,25	19	6
3590305000	M16x1,5	24	8
3590308000	M20x1,5	30	10
2990600303	M10x1,25	17	5
2990600304	M12x1,25	19	6
2990600305	M16x1,5	24	8
2990600308	M20x1,5	30	10
2990600312	M27x2	41	13.5
2990600316	M36x2	50	16
2990600325	M42x2	60	21

Sensor, Series ST6

Direct mounting for series: PRA, PRE, CCI, KPZ, SSI, GPC, CVI
 Indirect mounting for series: TRB, ITS, CCL-IS, MNI, CSL-RD, RPC, ICS-D2, ICM, KHZ, TRR
 Electrical connection 2, type: without wire end ferrule, tin-plated
 Certificates: CE declaration of conformity, cULus, RoHS, UL (Underwriters Laboratories)
 Ambient temperature min./max.: -30 °C ... 80 °C

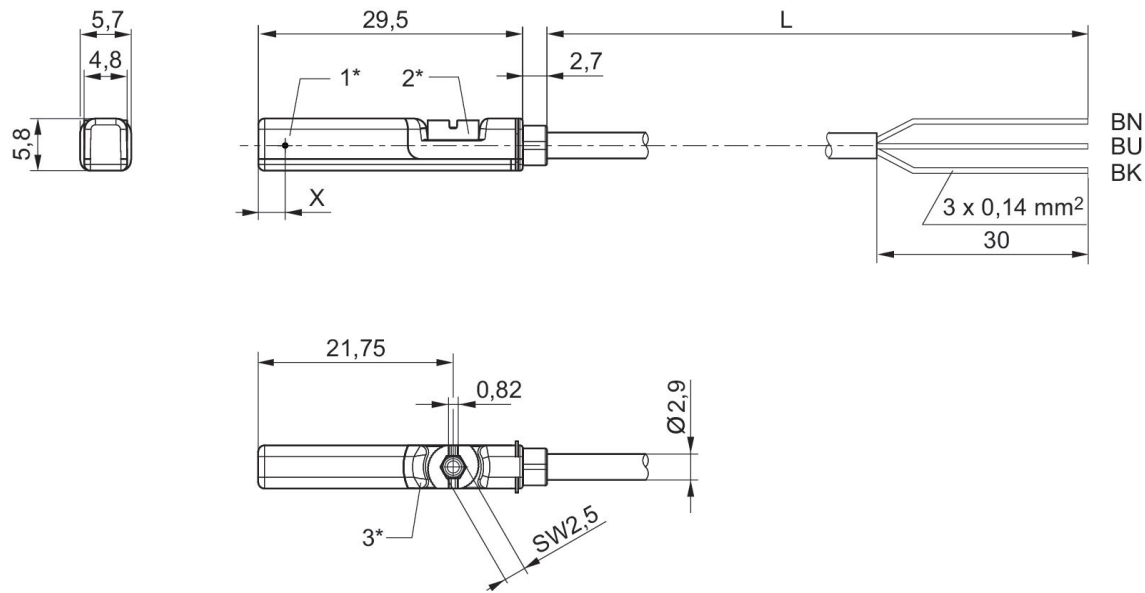


	Switch descr.	Cable sheath	Number of poles	Max. DC switching current [A]	Max. AC switching current [A]	Min. operating voltage DC [V DC]	Max. operating voltage DC [V DC]	Part No.
	Reed	Polyurethane	2-pin	0.13	0.13	10	230	R412022866
	Reed	Polyurethane	2-pin	0.13	0.13	10	230	R412027170
	Reed	Polyurethane	3-pin	0.3	0.5	10	30	R412022869
	Reed	Polyurethane	3-pin	0.3	0.5	10	30	R412022870
	Reed	Polyurethane	3-pin	0.3	0.5	10	30	R412022871
	PNP	Polyurethane	3-pin	0.13		10	30	R412022853
	PNP	Polyurethane	3-pin	0.13		10	30	R412022855
	PNP	Polyurethane	3-pin	0.13		10	30	R412022857
	NPN	Polyurethane	3-pin	0.13		10	30	R412022849
	NPN	Polyurethane	3-pin	0.13		10	30	R412022850

Min. operating voltage AC [V AC]	Max. operational voltage AC [V AC]	Version	Cable length L [m]	Part No.
10	230	Protected against polarity reversal	3	R412022866
10	230	Protected against polarity reversal	5	R412027170

Min. operating voltage AC [V AC]	Max. operational voltage AC [V AC]	Version	Cable length L [m]	Part No.
10	30	Protected against polarity reversal	3	R412022869
10	30	Protected against polarity reversal	5	R412022870
10	30	Protected against polarity reversal	10	R412022871
		short circuit resistant, Protected against polarity reversal	3	R412022853
		short circuit resistant, Protected against polarity reversal	5	R412022855
		short circuit resistant, Protected against polarity reversal	10	R412022857
		short circuit resistant, Protected against polarity reversal	3	R412022849
		short circuit resistant, Protected against polarity reversal	5	R412022850

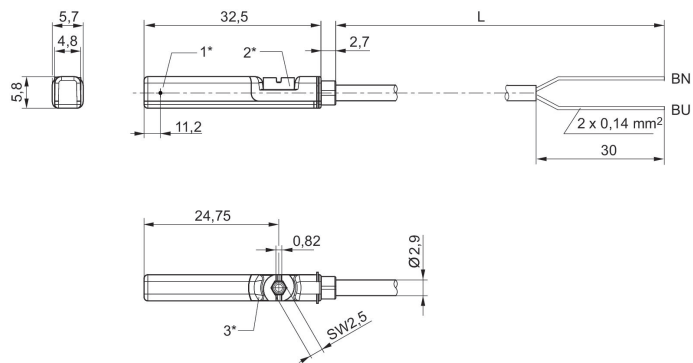
Dimensions



1* = switching point 2* = locking screw 3* = LED window, transparent
 L = cable length BN = brown, BK = black, BU = blue
 X = electronic: 11.6 mm

R412022866, R412027170

Dimensions



1* = switching point 2* = locking screw 3* = LED window, transparent
 L = cable length BN=brown, BU=blue

Sensor, Series ST6

Direct mounting for series: PRA, PRE, CCI, KPZ, SSI, GPC, CVI
 Indirect mounting for series: TRB, ITS, CCL-IS, MNI, CSL-RD, RPC, ICS-D2, ICM, KHZ, TRR
 Electrical connection 2, type: Plug
 Certificates: CE declaration of conformity, cULus, RoHS, UL (Underwriters Laboratories)
 Electrical connection 2, number of poles: 3-pin
 Ambient temperature min./max.: -30 °C ... 80 °C

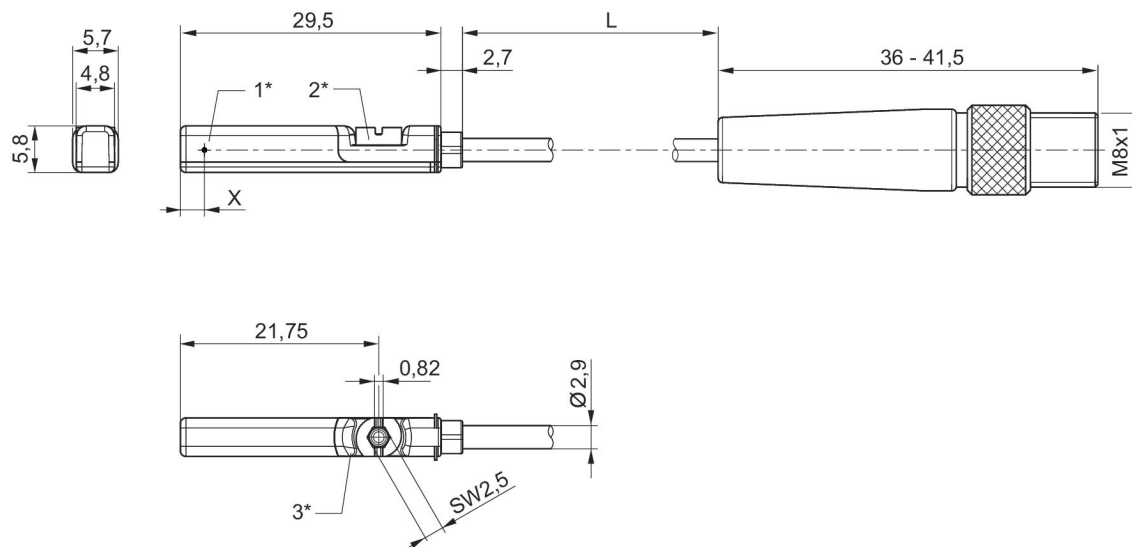


	Switch descr.	Cable sheath	Electrical interface 2	Number of poles	Max. DC switching current [A]	Max. AC switching current [A]	Min. operating voltage DC [V DC]	Part No.
	Reed	Polyurethane	M8x1	3-pin	0.3	0.5	10	R412022873
	Reed	Polyvinyl chloride	M8x1	3-pin	0.3	0.5	10	R412022875
	Reed	Polyurethane	M8x1	3-pin	0.3	0.5	10	R412022874
	electronic PNP	Polyurethane	M8x1	3-pin	0.13		10	R412022859
	electronic PNP	Polyvinyl chloride	M8x1	3-pin	0.13		10	R412022862
	electronic PNP	Polyurethane	M8x1	3-pin	0.13		10	R412022861
	NPN	Polyurethane	M8x1	3-pin	0.13		10	R412022852

Max. operating voltage DC [V DC]	Min. operating voltage AC [V AC]	Max. operational voltage AC [V AC]	Version	Cable length L [m]	Part No.
30	10	30	Protected against polarity reversal	0.3	R412022873
30	10	30	Protected against polarity reversal	0.3	R412022875
30	10	30	Protected against polarity reversal	0.5	R412022874
30			short circuit resistant, Protected against polarity reversal	0.3	R412022859

Max. operating voltage DC [V DC]	Min. operating voltage AC [V AC]	Max. operational voltage AC [V AC]	Version	Cable length L [m]	Part No.
30			short circuit resistant, Protected against polarity reversal	0.3	R412022862
30			short circuit resistant, Protected against polarity reversal	0.5	R412022861
30			short circuit resistant, Protected against polarity reversal	0.3	R412022852

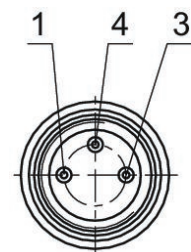
Dimensions



1* = switching point 2* = locking screw 3* = LED window, transparent
L = cable length
X = electronic: 11,6 mm, Reed: 8,3 mm

R412022873, R412022875, R412022874, R412022859, R412022862, R412022861, R412022852

Pin assignment M8x1 (3-pin)



Pin	Allocation
1	(+)
3	(-)
4	(OUT)

Sensors, Series SM6, with cable, without wire end ferrule, tin-plated

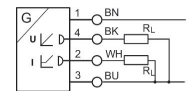
: with cable

Certificates: cULus

Direct mounting for series: PRA, PRE, CCI, KPZ, SSI, GPC, CVI

Indirect mounting for series: TRB, ITS, 167, MNI, ICM, TRR

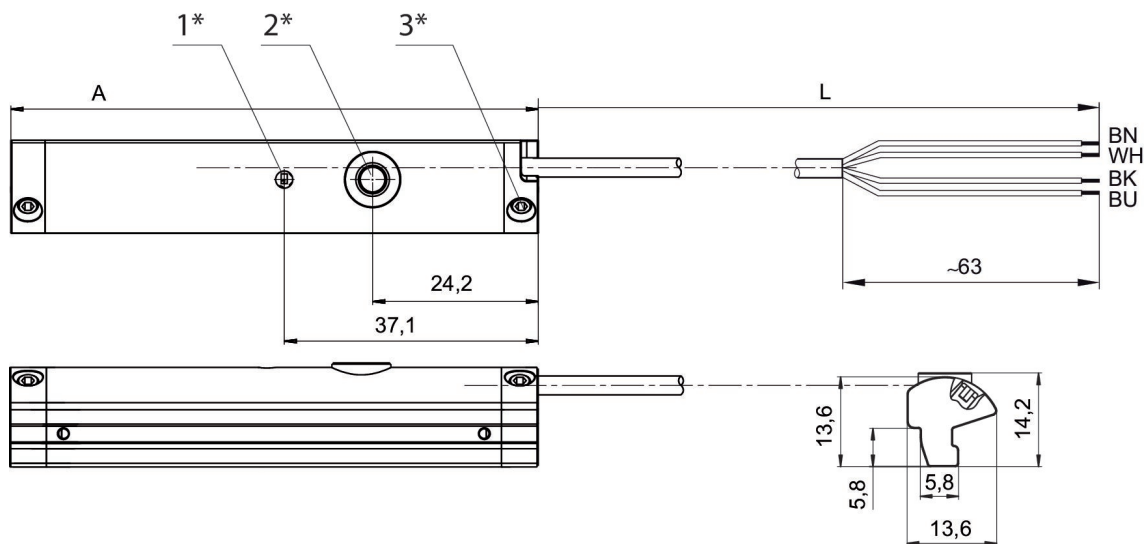
Ambient temperature min./max.: -20 °C ... 70 °C



Switch descr.	Cable length L [m]	max. measuring range [mm]	Overall length Sensor [mm]	Version	Part No.
Analog	2	32	45	short circuit resistant, Protected against polarity reversal, Overload protection	R412010141
Analog	2	64	77	short circuit resistant, Protected against polarity reversal, Overload protection	R412010143
Analog	2	96	109	short circuit resistant, Protected against polarity reversal, Overload protection	R412010262
Analog	2	128	141	short circuit resistant, Protected against polarity reversal, Overload protection	R412010264
Analog	2	160	173	short circuit resistant, Protected against polarity reversal, Overload protection	R412010411
Analog	2	192	205	short circuit resistant, Protected against polarity reversal, Overload protection	R412010413
Analog	2	224	237	short circuit resistant, Protected against polarity reversal, Overload protection	R412010415
Analog	2	256	269	short circuit resistant, Protected against polarity reversal	R412010417

Switch descr.	Cable length L [m]	max. measuring range [mm]	Overall length Sensor [mm]	Version	Part No.
				sal, Overload protection	

Dimensions



1* = LED 2* = teach button 3* = threaded pin M3x11
 L = cable length
 (2) WH=white
 A = sensor length

Sensors, Series SM6, with cable, plug M8x1

: with cable

Certificates: cULus

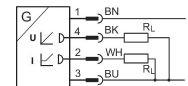
Direct mounting for series: PRA, PRE, CCI, KPZ, SSI, GPC, CVI

Indirect mounting for series: TRB, ITS, 167, MNI, ICM, TRR

Electrical connection 2, thread size: M8x1

Electrical connection 2, number of poles: 4-pin

Ambient temperature min./max.: -20 °C ... 70 °C



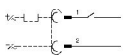
Switch descr.	Cable length L [m]	max. measuring range [mm]	Overall length Sensor [mm]	Version	Part No.
Analog	0.3	32	45	short circuit resistant, Protected against polarity reversal, Overload protection	R412010142
Analog	0.3	64	77	Protected against polarity reversal, Protected against polarity reversal, Overload protection	R412010144
Analog	0.3	96	109	Protected against polarity reversal, Protected against polarity reversal, Overload protection	R412010263
Analog	0.3	128	141	Protected against polarity reversal, Protected against polarity reversal, Overload protection	R412010265
Analog	0.3	160	173	Protected against polarity reversal, Protected against polarity reversal, Overload protection	R412010410
Analog	0.3	192	205	Protected against polarity reversal, Protected against polarity reversal, Overload protection	R412010412
Analog	0.3	224	237	Protected against po-	R412010414

Sensor, Series SN6, Form B, industry

Electrical connection 2, type: Plug

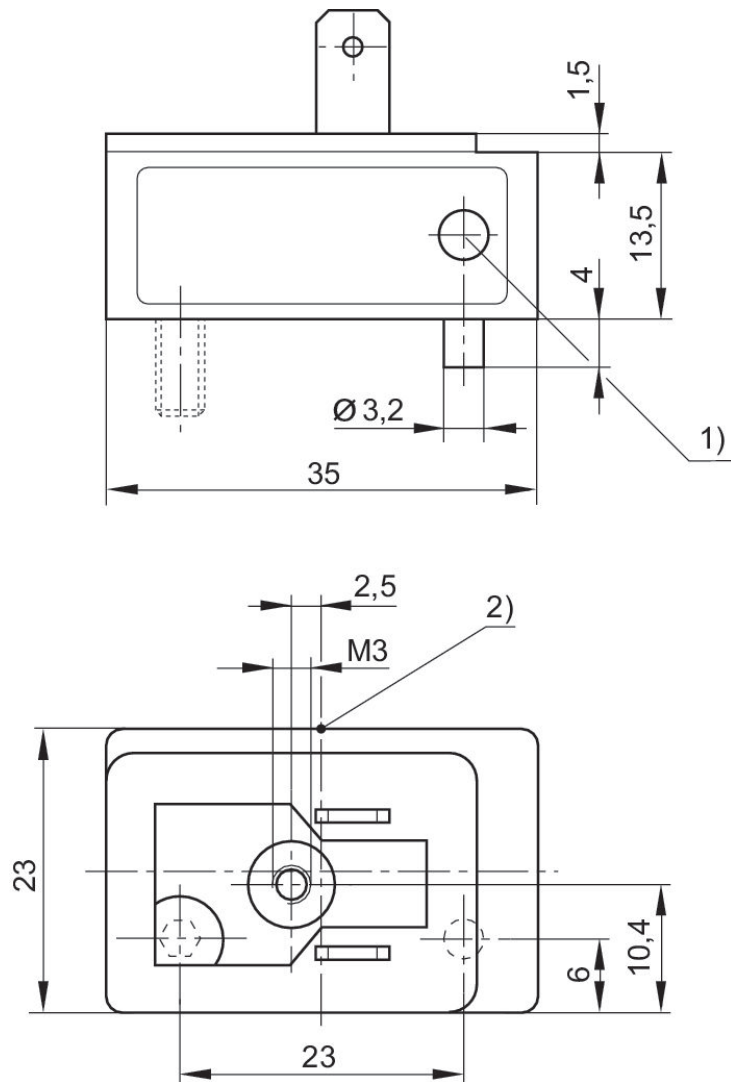
Electrical connection 2, thread size: Form B, industry



	Switch descr.	Electrical connection number of poles	Max. DC switching current [A]	Max. AC switching current [A]	Min. operating voltage DC [V DC]	Max. operating voltage DC [V DC]	Min. operating voltage AC [V AC]	Part No.
	Reed	2-pin	3	3	10	48	10	8940410602

Max. operational voltage AC [V AC]	Part No.
48	8940410602

Dimensions



- 1) LED
- 2) Switching point

Sensor, Series SN6, open cable ends

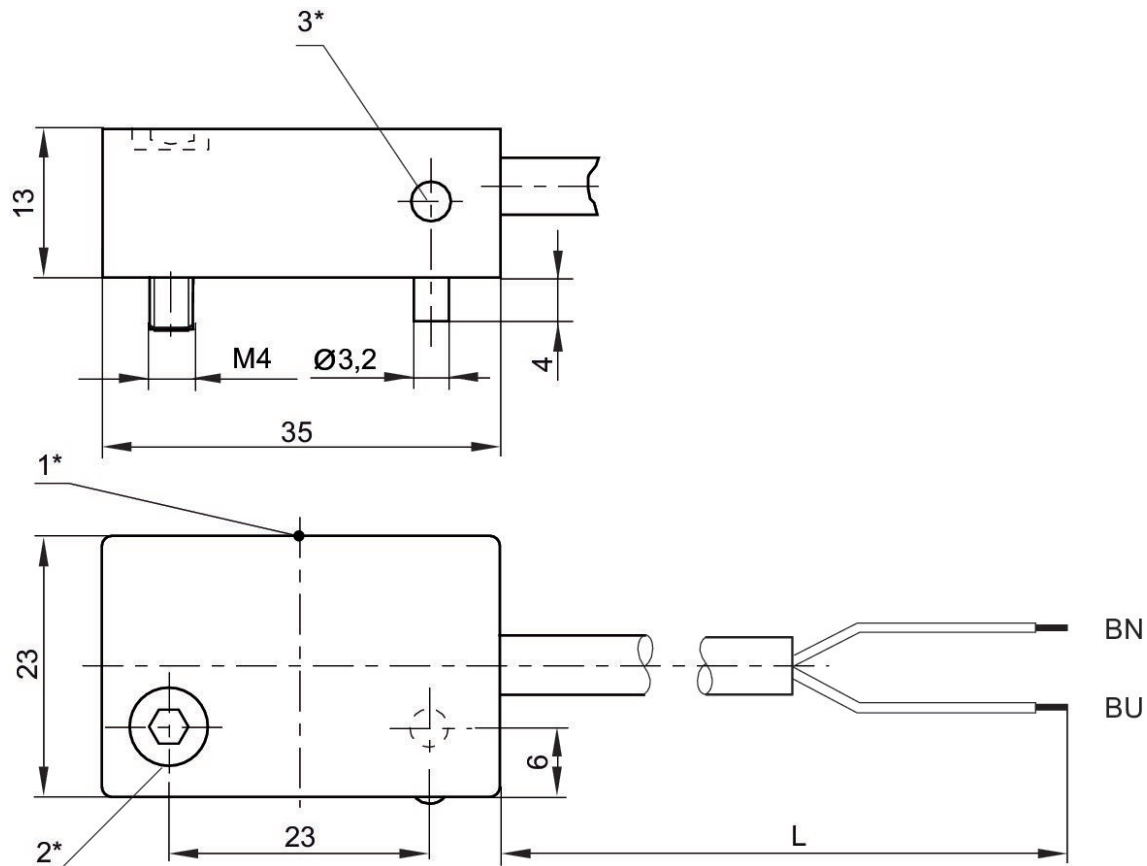
Electrical connection 2, type: without wire end ferrule, tin-plated



	Switch descr.	Electrical connection number of poles	Max. DC switching current [A]	Max. AC switching current [A]	Min. operating voltage DC [V DC]	Max. operating voltage DC [V DC]	Min. operating voltage AC [V AC]	Part No.
	Reed	2-pin	0.5	0.5	10	48	10	8940412022
	Reed	2-pin	0.5	0.5	10	48	10	8940412032
	Reed	2-pin	3	3	10	48	10	8940411902
	Reed	2-pin	3	3	10	48	10	8940411922

Max. operational voltage AC [V AC]	Cable sheath	Cable length L [m]	Version	Part No.
48	Polyvinyl chloride	2.5	Protected against polarity reversal	8940412022
48	Polyvinyl chloride	6	Protected against polarity reversal	8940412032
48	Polyvinyl chloride	2.5	Protected against polarity reversal	8940411902
48	Polyvinyl chloride	10	Protected against polarity reversal	8940411922

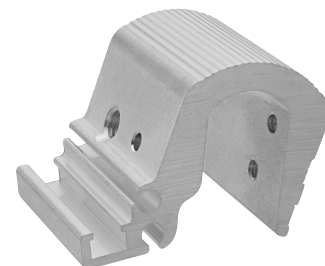
Dimensions



1* = switching point 2* = clamping screw 3* = LED
L = cable length BN=brown, BU=blue

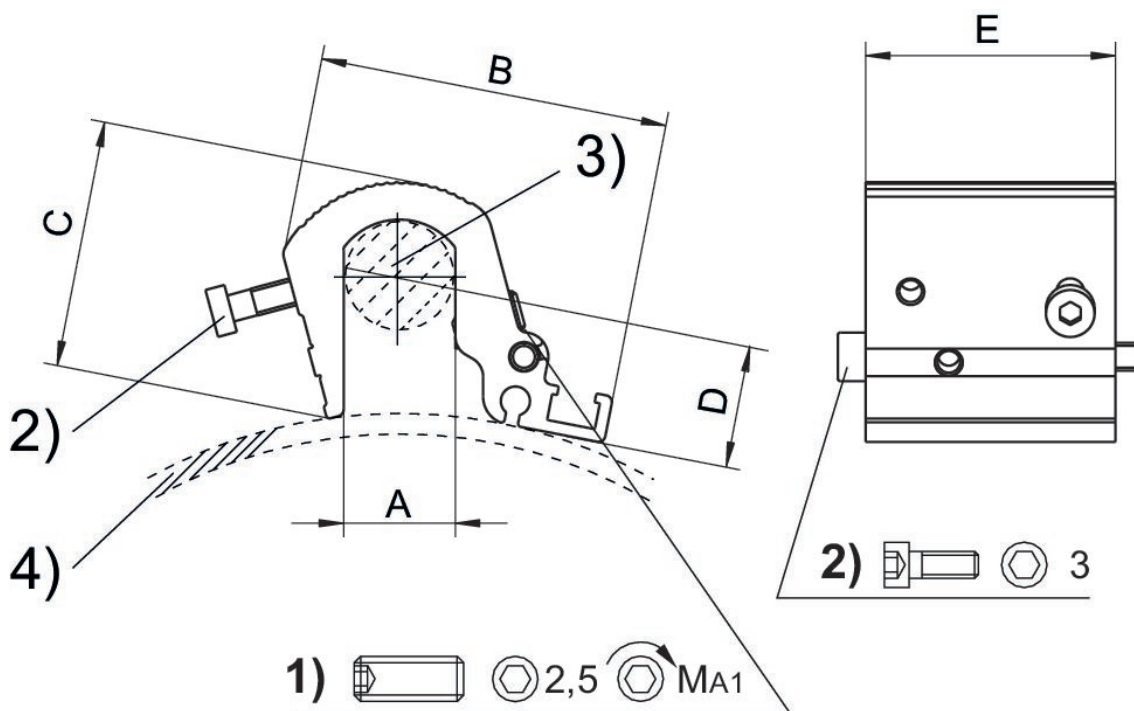
Sensor mounting, Series CB1

Direct mounting for series: C12P, ITS



Min. cylinder Ø [mm]	Max. cylinder Ø [mm]	for sensor	Material	Part No.
160	200	ST6, SN2, SN6, SN1, SM6	Aluminum	R412017979

Dimensions



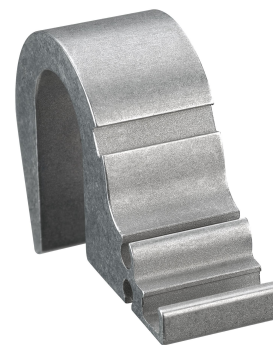
1) Clamping threaded pin 2) Mounting screws for sensor 3) Tie rod 4) Cylinder profile

Cylinders Ø	Part No.	A	B	C	D	E	MA1 [Nm]
160 - 200 mm	R412017979	16	51	36	6.8	36	2
250 - 320 mm	R412017980	24	56	44.5	6.8	36	2

Scope of delivery: Incl. mounting screws

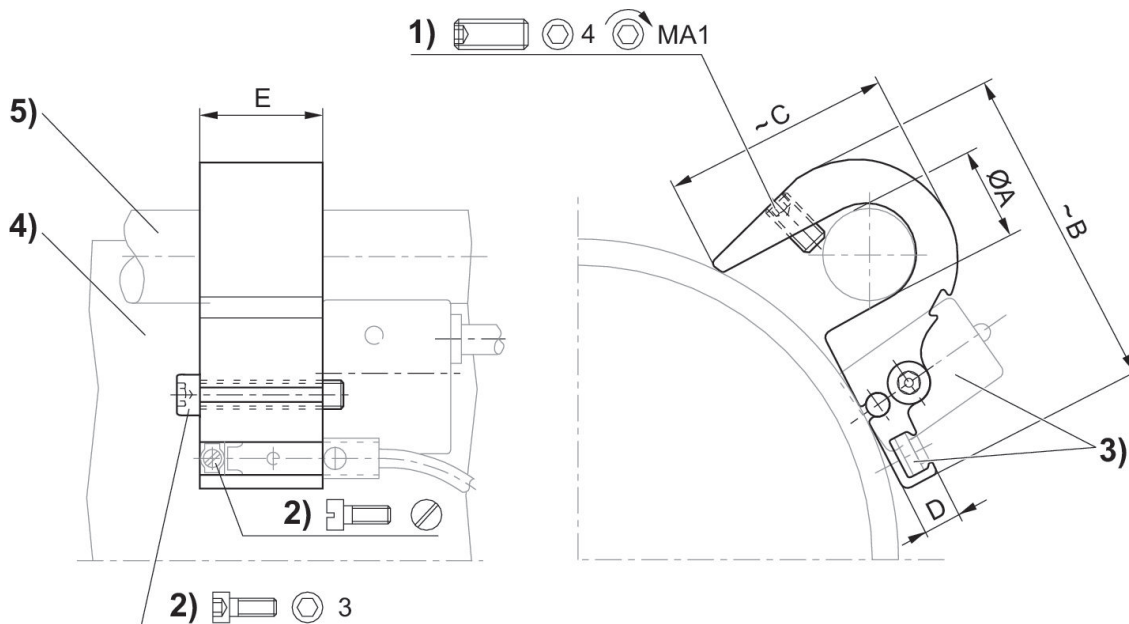
Sensor mounting, Series CB1

To mount on series: ST6, SM6, SN1, SN2
Direct mounting for series: TRB, C12P, CVI, 523



Min. cylinder Ø [mm]	Max. cylinder Ø [mm]	Material	Part No.
125	125	Aluminum	1827020292

Dimensions



1) Clamping threaded pin 2) Mounting screw for sensor 3) Sensor 4) Cylinder profile 5) Tie rod

Part No.	Cylinders Ø	Ø A	B	C	D	E	Clamping threaded pin	MA1 [Nm]
1827020292	125 mm	12	45	29	6.5	21	M5x10	2

Sensor mounting, Series CB1

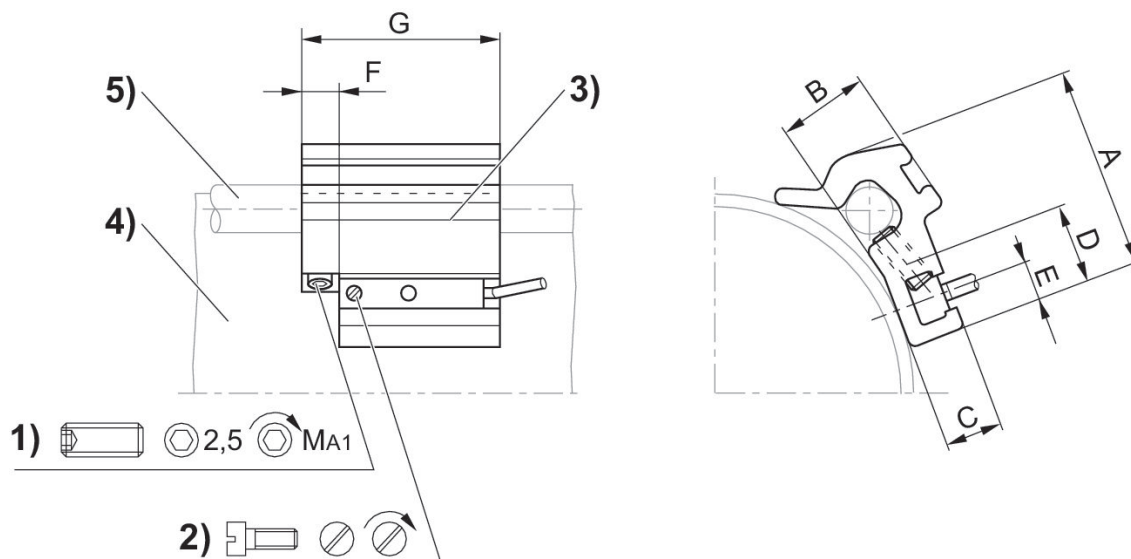
To mount on series: ST6, SM6

Direct mounting for series: TRB, C12P, 167, CVI, TRR, 523



Min. cylinder Ø [mm]	Max. cylinder Ø [mm]	Material	Part No.
32	40	Aluminum	1827020282
50	63	Aluminum	1827020283
80	100	Aluminum	1827020284

Dimensions



1) Clamping threaded pin 2) Mounting screw for sensor 3) Sensor 4) Cylinder profile 5) Tie rod

Part No.	Cylinders Ø	A	B	C	D	E	F	G	Clamping threaded pin
1827020282	32 - 40 mm	26	10	7	14	5	8	40	M5x8
1827020283	50 - 63 mm	32.5	15.5	7	14	5	8	40	M5x10
1827020284	80 - 100 mm	43	17	6.9	14	5	8	40	M5x16

Part No.	MA1 [Nm]
1827020282	2 ±0,2
1827020283	2 ±0,2
1827020284	2 ±0,2

Sensor mounting, Series CB1

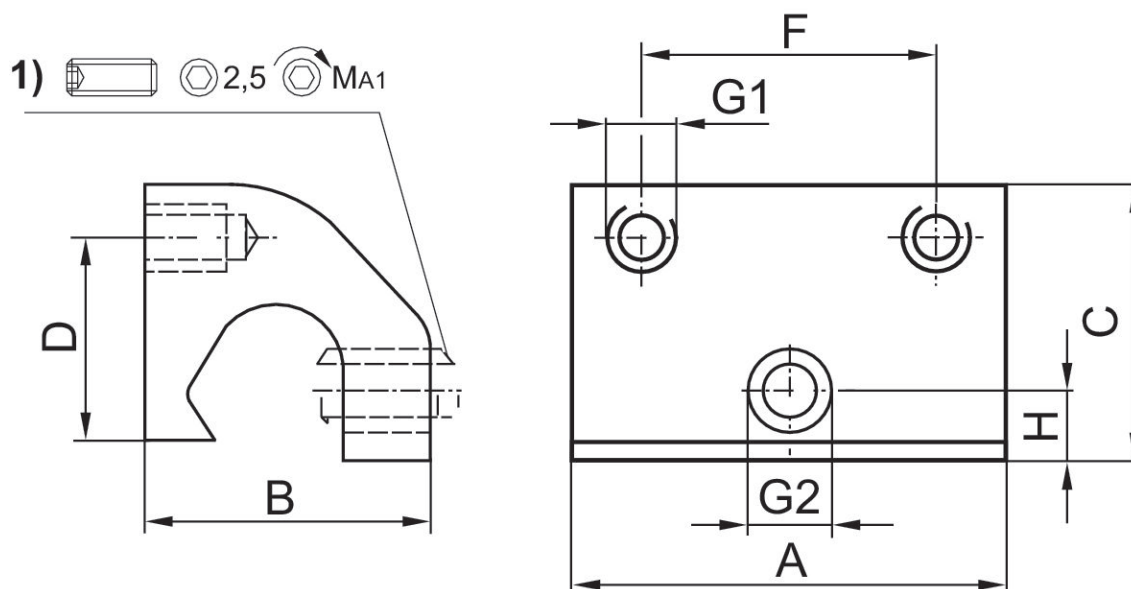
To mount on series: SN6

Direct mounting for series: TRB, C12P, CVI, 523



Min. cylinder Ø [mm]	Max. cylinder Ø [mm]	Material	Part No.
32	63	Aluminum	3220613562
80	125	Aluminum	3220643562

Dimensions



1) Clamping threaded pin

Part No.	Cylinders Ø	A	B	C	D	F	G1	G2	H
3220643562	80 - 125 mm	35	22	21	12	23	M4	M5	5
3220613562	32 - 63 mm	35	22	21	16	23	M4	M5	5

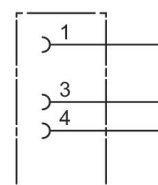
Part No.	MA1 [Nm]
3220643562	1,8 +0,4
3220613562	1,8 +0,4

Round plug connector, Series CON-RD

Electrical connection 1: Socket ... M8x1 ... 3-pin ... straight

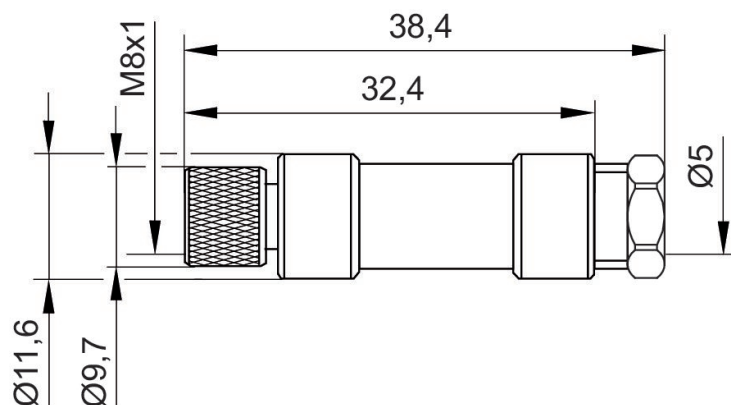
Connection type: Soldering

Ambient temperature min./max.: -25 °C ... 80 °C



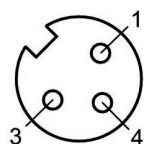
Operational voltage	Coding	Shielding	Connection type	Max. current [A]	min. suitable cable Ø [mm]	max. suitable cable Ø [mm]	Part No.
48 V AC/DC	A-coded	unshielded	Soldering	4	3.5	5	1834484173

Dimensions



1834484173

Pin assignment, socket

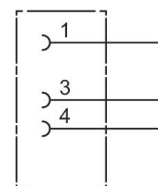


Round plug connector, Series CON-RD

Electrical connection 1: Socket ... M8x1 ... 3-pin ... angled

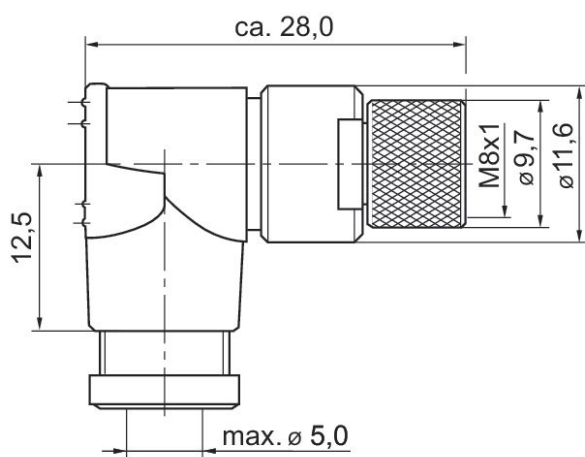
Connection type: Soldering

Ambient temperature min./max.: -25 °C ... 80 °C



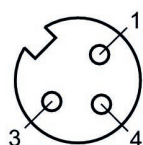
Operational voltage	Coding	Shielding	Connection type	Max. current [A]	min. suitable cable Ø [mm]	max. suitable cable Ø [mm]	Part No.
48 V AC/DC	A-coded	unshielded	Soldering	4	3.5	5	1834484174

Dimensions in mm



1834484174

Pin assignment, socket



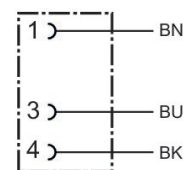
Round plug connector, Series CON-RD

Electrical connection 1: Socket ... M8x1 ... 3-pin ... straight

Electrical connection 2: open cable ends ... 3-pin

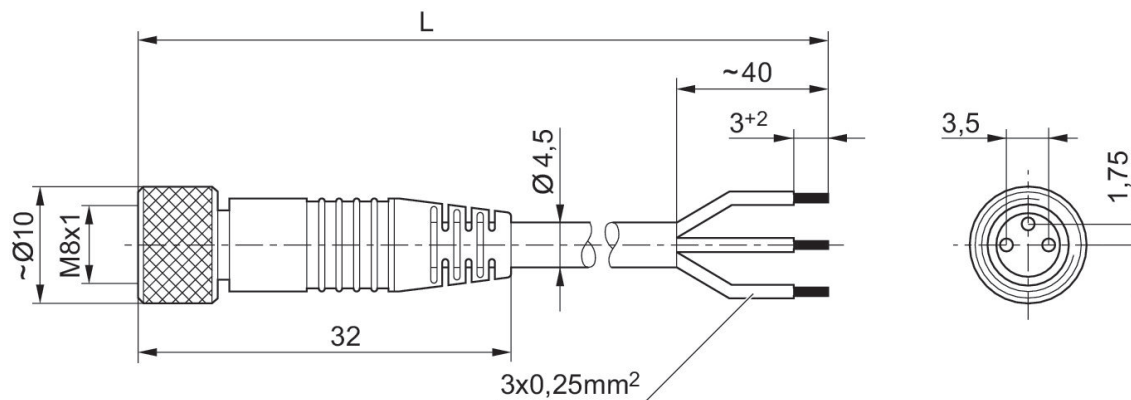
Certification: UL (Underwriters Laboratories)

Ambient temperature min./max.: -25 °C ... 85 °C



Operational voltage	Electrical connection 1, type	Electrical connection 1, thread size	Electrical connection 1, number of poles	Electrical connection 1, coding	Electrical connection 2, type	Electrical connection 2, number of poles	Cable length [m]	Part No.
48 V AC/DC	Socket	M8x1	3-pin	A-coded	open cable ends	3-pin	3	1834484166
48 V AC/DC	Socket	M8x1	3-pin	A-coded	open cable ends	3-pin	5	1834484168
48 V AC/DC	Socket	M8x1	3-pin	A-coded	open cable ends	3-pin	10	1834484247

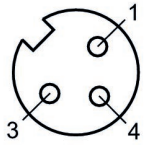
Dimensions



L = length

1834484166, 1834484168, 1834484247

Pin assignment, socket



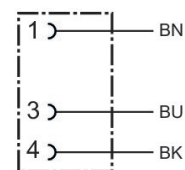
(1) BN=brown (3) BU=blue (4) BK=black

Round plug connector, Series CON-RD

Electrical connection 1: Socket ... M8x1 ... 3-pin ... angled

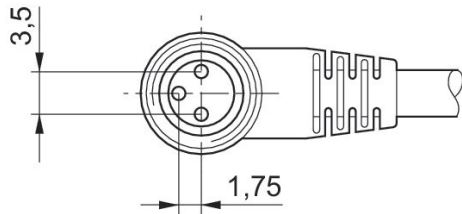
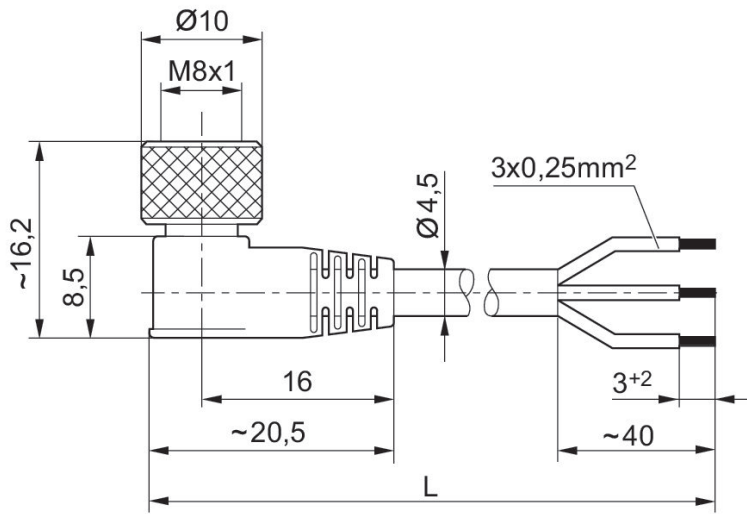
Electrical connection 2: open cable ends ... 3-pin

Ambient temperature min./max.: -40 °C ... 85 °C



Operational voltage	Electrical connection 1, type	Electrical connection 1, thread size	Electrical connection 1, number of poles	Electrical connection 1, coding	Electrical connection 2, type	Electrical connection 2, number of poles	Cable length [m]	Part No.
48 V AC/DC	Socket	M8x1	3-pin	A-coded	open cable ends	3-pin	3	1834484167
48 V AC/DC	Socket	M8x1	3-pin	A-coded	open cable ends	3-pin	5	1834484169
48 V AC/DC	Socket	M8x1	3-pin	A-coded	open cable ends	3-pin	10	1834484248

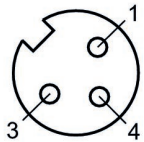
Dimensions



L = length

1834484167, 1834484169, 1834484248

Pin assignment, socket







(1) BN=brown (3) BU=blue (4) BK=black

Efficient pneumatic solutions, our program:
cylinders and drives, valves and valve systems,
air supply management, proportional pressure
control valves



Visit us: www.Emerson.com/aventics
Your local contact: Emerson.com/contactus

-  Emerson.com
-  Facebook.com/EmersonAutomationSolutions
-  LinkedIn.com/company/Emerson-Automation-Solutions
-  Twitter.com/EMR_Automation



The Emerson logo is a trademark and service mark of Emerson Electric Co. AVENTICS is a registered trademark of one of the Emerson family of companies. All other trademarks are the property of their respective owners. © 2020 Emerson Electric Co. All rights reserved.



CONSIDER IT SOLVED™