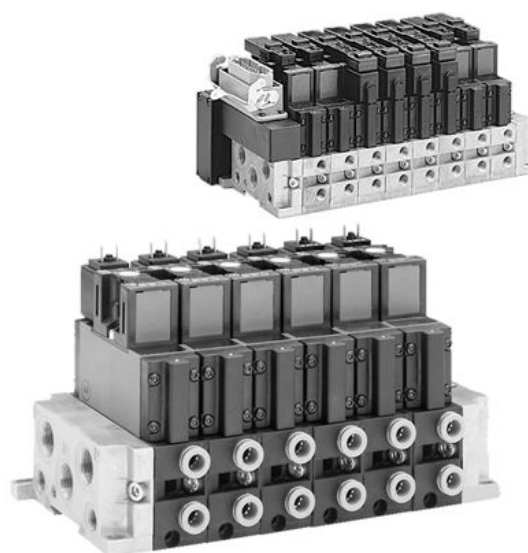


ISO 15407-1, series CD01-PA



AVENTICS™

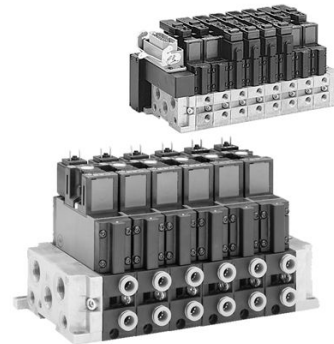
AVENTICS Series CD01-PA
Standardized valve systems
(ISO 15407-1)


EMERSON™

AVENTICS Series CD01-PA Standardized valve systems (ISO 15407-1)

The AVENTICS Series CD01-PA is the flexible valve system according to ISO 15407-1. The Series offers pneumatic or electrical control, vacuum or pressure of up to 16 bar, dual-pressure application, pressure-zones, ATEX certification, and various accessories allow for a wide range of modularity.

- Standardized valve system with size of 26 mm
- High flexibility and functionality
- Easy and flexible custom specific configurations via online configurator
- Pressure range of up to 16 bar
- A combination with Series CD02-AL possible



Product overview

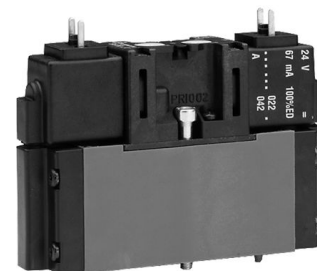
	Page
Electrically operated	
2x3/2-directional valve, Series CD01-PA.....	5
2x3/2-directional valve, Series CD01-PA, 4-pin.....	8
5/2-directional valve, Series CD01-PA M12x1.....	10
Single Solenoid	
5/2-directional valve, Series CD01-PA form C.....	12
Single Solenoid	
5/2-directional valve, Series CD01-PA M12x1.....	15
Double Solenoid	
5/2-directional valve, Series CD01-PA form C.....	17
Double Solenoid	
5/2-directional valve, Series CD01-PA.....	19
Electrically and Pneumatically Operated	
5/3-directional valve, Series CD01-PA.....	21
5/3-directional valve, Series CD01-PA.....	24
Pneumatically operated	
2x3/2-directional valve, CD01-PA.....	26
ISO 15407-1 - base plate DIN ISO 15407-1 - Suitable for ATEX - NC/NC	
5/2-directional valve, CD01-PA.....	27
ISO 15407-1 - base plate DIN ISO 15407-1 - Suitable for ATEX	
5/3-directional valve, CD01-PA.....	28
ISO 15407-1 - base plate DIN ISO 15407-1 - Suitable for ATEX	
Accessories overview CD01-PA	
Subbase.....	29
End plate left, End plate right.....	30
Base plate.....	31
Mounting kit for DIN rails DIN.....	33
Mounting kit for DIN rails EN 60715, 35x15	
Blanking plate.....	34
Throttle plate.....	35
Pressure regulator for horizontal stacking.....	36
type B	
Pressure regulator for vertical stacking.....	38
Pressure regulator for vertical stacking.....	41
Controlled connection 3 - ISO 15407-1	
Supply plate.....	44
Supply module.....	46
Supply plate, stacked vertically.....	47
Supply plate, stacked longitudinally.....	48
Single subbase, ports on side.....	49
Single subbase, ports on bottom.....	50
End plate left, End plate right.....	51
Pressure gauge.....	52
Separator for connections 1, 3, 5.....	54
Separator for connections 1, 3, 5 - ISO 15407-1	
Separator.....	55
ISO 15407-1	
Base plate, ports 2 and 4 on side.....	56

Product overview

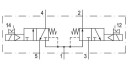
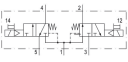
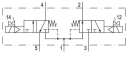
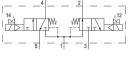
	Page
Base plate, ports 2 and 4 on side.....	58
Base plate, Ports 2 and 4, 12 and 14 on side.....	60
Base plate, ports 2 and 4 on bottom.....	62
Contact bridges, series CON-CB.....	63
2x solenoid	
Contact bridges, series CON-CB.....	65
1x solenoid	
Contact bridges, series CON-CB.....	66
2x solenoid	
Contact bridges, series CON-CB.....	67
2x solenoid	
Contact bridges, series CON-CB.....	68
1x solenoid	
Valve plug connector with cable series CON-VP, Form B, 0° female insert.....	69
Z-diode - 24 V AC/DC	
Valve plug connector with cable series CON-VP,, 180° female insert.....	71
Z-diode - 24 V AC/DC	
Valve plug connector, series CON-VP, form C, 300 V DC / 250 V AC.....	73

2x3/2-directional valve, Series CD01-PA

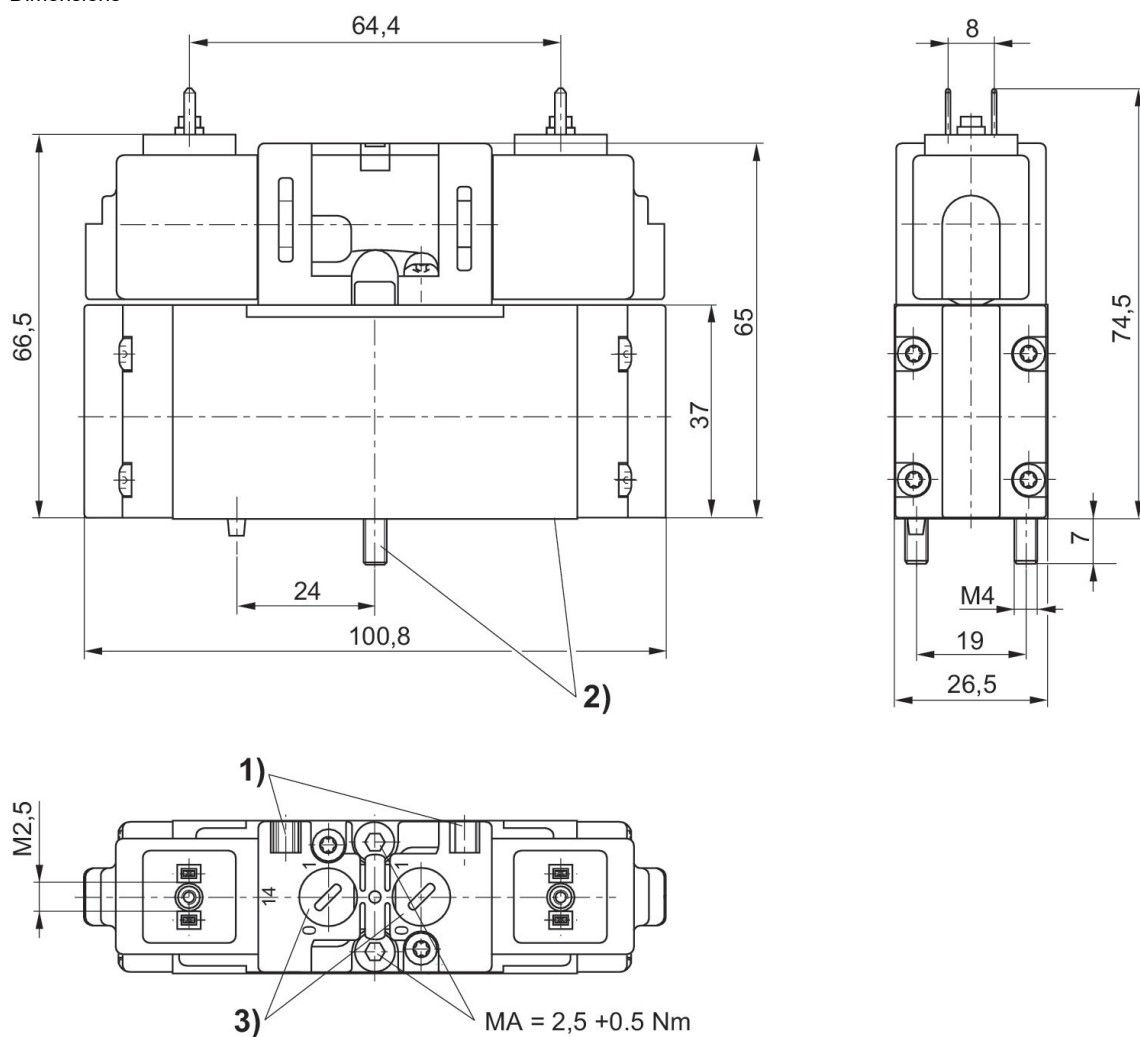
Activation: Electrically
 Pilot valve width: 26 mm
 Standards: ISO 15407-1
 Certificates: Free of substances that impair surface wetting in the coating process
 Compressed air connection input: base plate DIN ISO 15407-1
 Compressed air connection output: base plate DIN ISO 15407-1
 Compressed air connection, exhaust: base plate DIN ISO 15407-1
 Duty cycle: 100 %
 Type: Spool valve, positive overlapping
 Control pressure min./max.: 10 bar
 Ambient temperature min./max.: -15 °C ... 50 °C
 Medium temperature min./max.: -15 °C ... 50 °C



	Operational voltage	Voltage tolerance DC	Power consumption DC [W]	Switch-on time [ms]	Switch-off time [ms]	Pilot	Manual override	Part No.
	24 V AC	-10 % / +10 %	1.6	27	46	Internal	with detent	5763990220
	24 V AC	-10 % / +10 %	1.6	27	46	Internal	without detent	5763990620
	24 V AC			27	46	Internal	with detent	5763995220
	110 V AC			27	46	Internal	with detent	5763995270
	110 V AC			27	46	Internal	without detent	5763995670
	230 V AC			27	46	Internal	with detent	5763995280
	24 V DC	-10 % / +10 %	1.6	26	34	Internal	with detent	5763970220
	24 V DC	-10 % / +10 %	1.6	26	34	Internal	without detent	5763970620
	24 V AC			26	34	Internal	with detent	5763975220
	110 V AC			26	34	Internal	with detent	5763975270
	110 V AC			26	34	Internal	without detent	5763975670
	24 V DC	-10 % / +10 %	1.6	26	34	External	with detent	5763960220
	24 V DC	-10 % / +10 %	1.6	26	34	External	without detent	5763960620
	110 V AC			26	34	External	with detent	5763965270
	110 V AC			26	34	External	without detent	5763965670

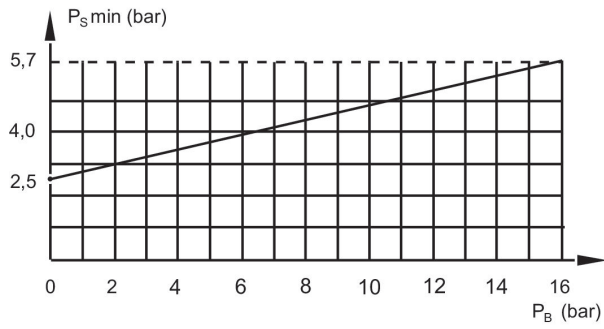
	Operational voltage	Voltage tolerance DC	Power consumption DC [W]	Switch-on time [ms]	Switch-off time [ms]	Pilot	Manual override	Part No.
	24 V DC	-10 % / +10 %	1.6	27	46	Internal	with detent	5763950220
	24 V DC	-10 % / +10 %	1.6	27	46	Internal	without detent	5763950620
	110 V AC			27	46	Internal	with detent	5763955270
	110 V AC			27	46	Internal	without detent	5763955670

Dimensions



1) mounting space for name plate 2) screws and seals captive 3) manual override

Minimum control pressure for externally piloted valves (depending on the working pressure)



P_B = Working pressure
 P_S = control pressure

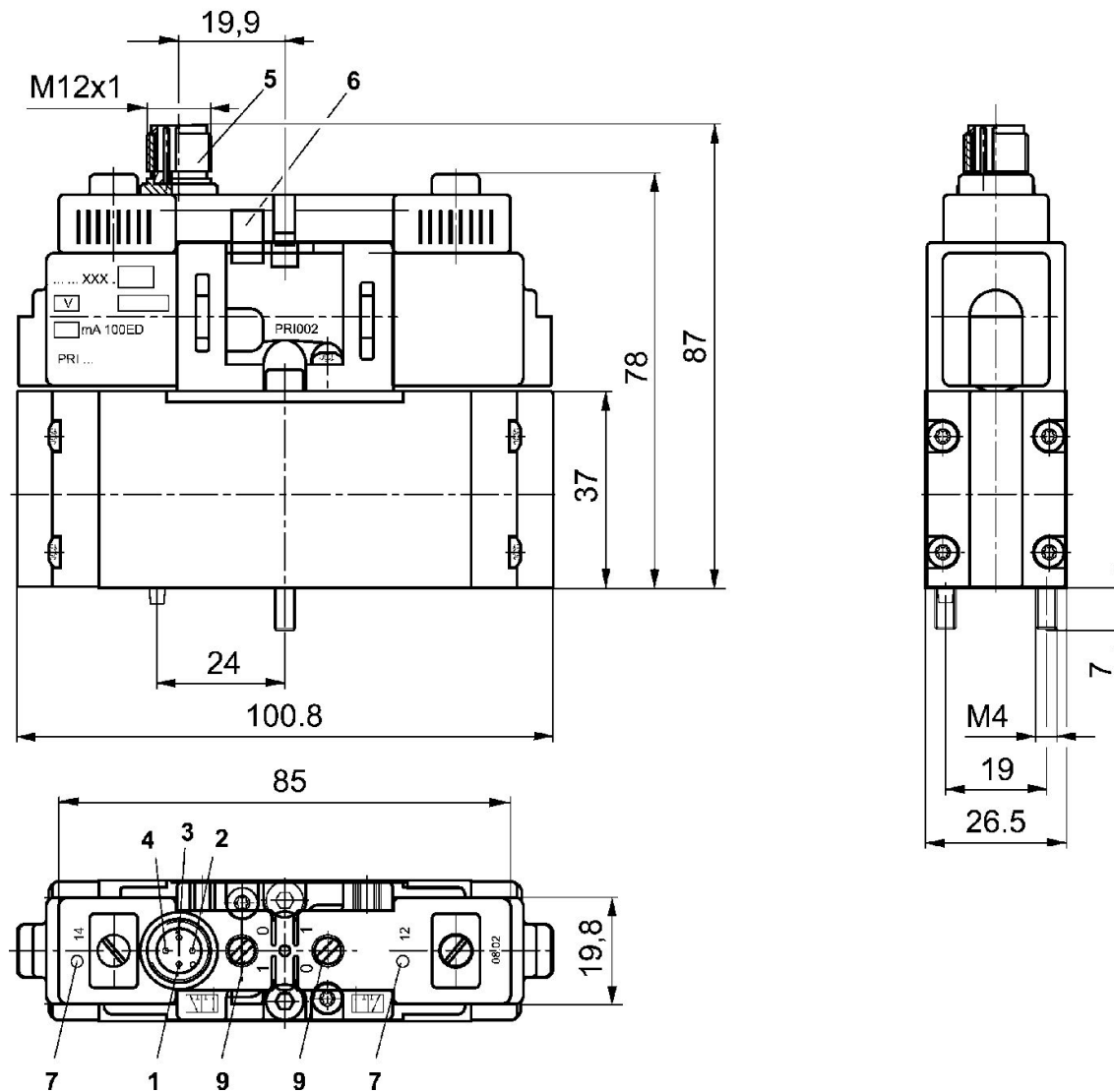
2x3/2-directional valve, Series CD01-PA, 4-pin

Activation: Electrically
 Pilot valve width: 26 mm
 Standards: ISO 15407-1
 Certificates: Free of substances that impair surface wetting in the coating process
 Compressed air connection input: base plate DIN ISO 15407-1
 Compressed air connection output: base plate DIN ISO 15407-1
 Compressed air connection, exhaust: base plate DIN ISO 15407-1
 Duty cycle: 100 %
 Type: Spool valve, positive overlapping
 Control pressure min./max.: 10 bar
 Ambient temperature min./max.: -15 °C ... 50 °C
 Medium temperature min./max.: -15 °C ... 50 °C



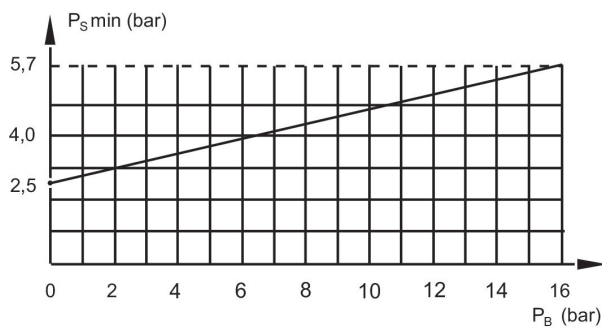
	Operational voltage	Voltage tolerance DC	Power consumption DC [W]	Switch-on time [ms]	Switch-off time [ms]	Pilot	Manual override	Part No.
	24 V DC	-10 % / +10 %	1.6	27	46	Internal	without detent	5763990720
	24 V DC	-10 % / +10 %	1.6	27	46	Internal	with detent	5763990520
	24 V DC	-10 % / +10 %	1.6	26	34	External	without detent	5763960720
	24 V DC	-10 % / +10 %	1.6	26	34	External	with detent	5763960520
	24 V DC	-10 % / +10 %	1.6	26	34	Internal	without detent	5763970720
	24 V DC	-10 % / +10 %	1.6	26	34	Internal	with detent	5763970520
	24 V DC	-10 % / +10 %	1.6	27	46	Internal	without detent	5763950720
	24 V DC	-10 % / +10 %	1.6	27	46	Internal	with detent	5763950520

Dimensions



1) not assigned 2) magnet 12 3) 0 V 4) magnet 14 5) metal round plug M12x1 6) positioning pin 7) yellow valve switching state LED 9) manual override

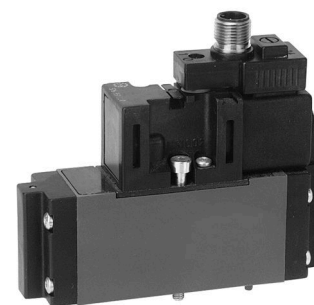
Minimum control pressure for externally piloted valves (depending on the working pressure)



P_B = Working pressure
 P_S = control pressure

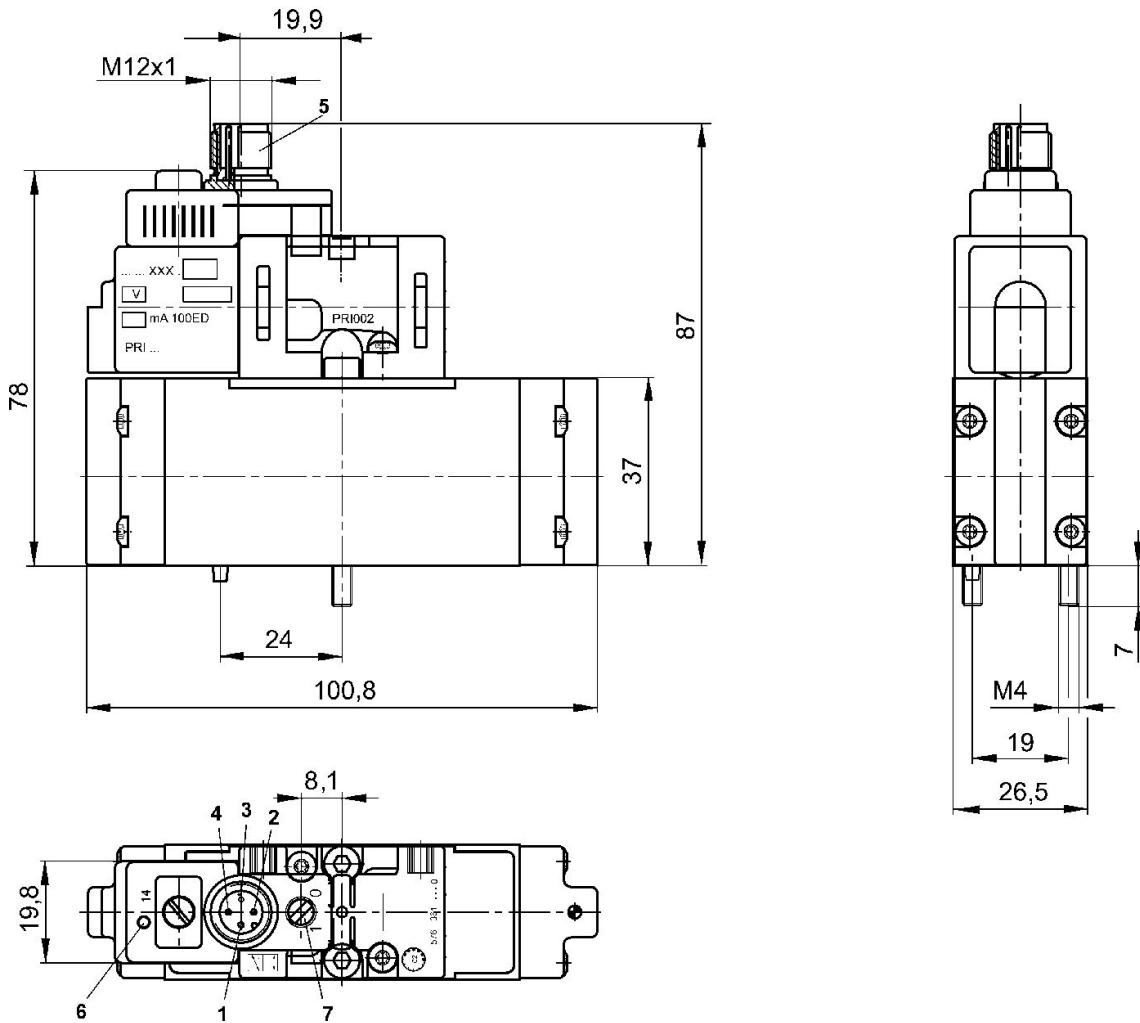
5/2-directional valve, Series CD01-PA M12x1

Activation: Electrically
 Pilot valve width: 26 mm
 Standards: ISO 15407-1
 Certificates: Free of substances that impair surface wetting in the coating process
 Flow: 1010 l/min
 Compressed air connection input: base plate DIN ISO 15407-1
 Compressed air connection output: base plate DIN ISO 15407-1
 Compressed air connection, exhaust: base plate DIN ISO 15407-1
 Duty cycle: 100 %
 Type: Spool valve, positive overlapping
 Control pressure min./max.: 10 bar
 Ambient temperature min./max.: -15 °C ... 50 °C
 Medium temperature min./max.: -15 °C ... 50 °C



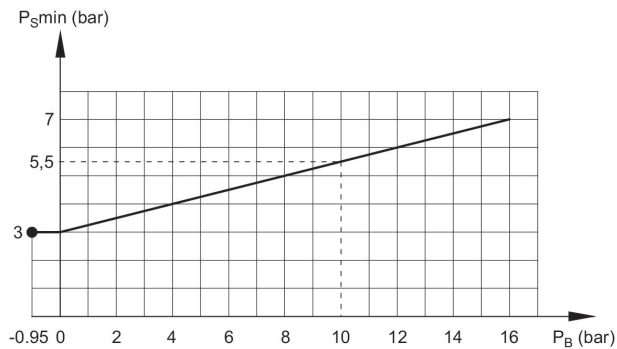
	Operational voltage	Voltage tolerance DC	Power consumption DC [W]	Switch-on time [ms]	Switch-off time [ms]	Pilot	Manual override	Part No.
	24 V DC	-10 % / +10 %	1.6	29	42	Internal	without detent	5763510720
	24 V DC	-10 % / +10 %	1.6	29	42	Internal	with detent	5763510520
	24 V DC	-10 % / +10 %	1.6	34	35	External	without detent	5763600720
	24 V DC	-10 % / +10 %	1.6	34	35	External	with detent	5763600520

Dimensions



1) not assigned 2) not assigned 12 3) 0 V 4) magnet 14 5) metal round plug M12x1 6) yellow valve switching state LED 7) manual override

Minimum control pressure for externally piloted valves (depending on the working pressure)



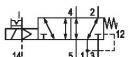
P_B = Working pressure
 P_S = control pressure

5/2-directional valve, Series CD01-PA form C

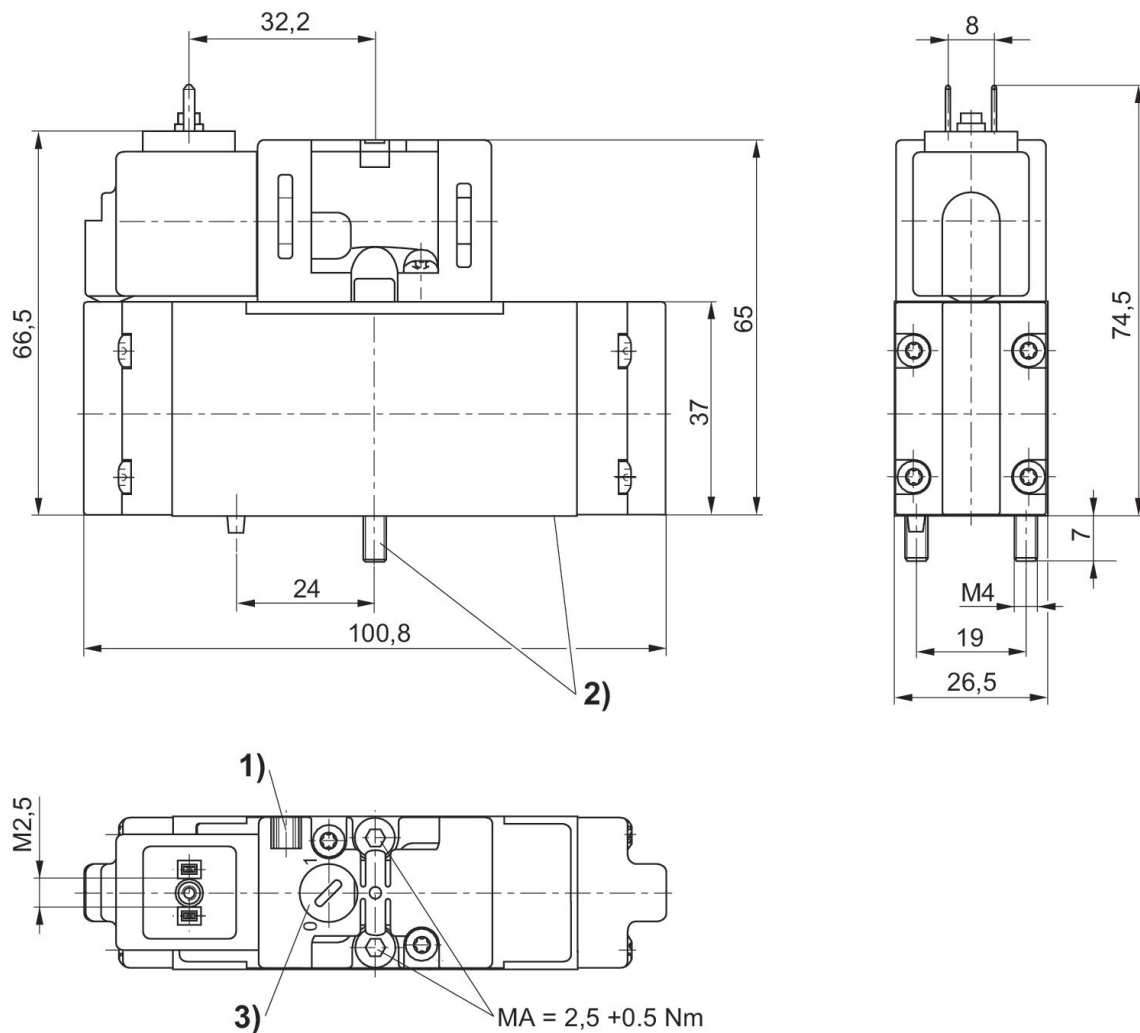
Activation: Electrically
 Pilot valve width: 26 mm
 Standards: ISO 15407-1
 Certificates: Free of substances that impair surface wetting in the coating process
 Flow: 1010 l/min
 Compressed air connection input: base plate DIN ISO 15407-1
 Compressed air connection output: base plate DIN ISO 15407-1
 Compressed air connection, exhaust: base plate DIN ISO 15407-1
 Duty cycle: 100 %
 Type: Spool valve, positive overlapping
 Ambient temperature min./max.: -15 °C ... 50 °C
 Medium temperature min./max.: -15 °C ... 50 °C



	Operational voltage	Voltage tolerance DC	Power consumption DC [W]	Switch-on time [ms]	Switch-off time [ms]	Pilot	Manual override	Part No.
	12 V DC	-10 % / +10 %	1.6	29	42	Internal	with detent	5763510210
	24 V DC	-10 % / +10 %	1.6	29	42	Internal	with detent	5763510220
	24 V DC	-10 % / +10 %	1.6	29	42	Internal	without detent	5763510620
	24 V DC	-10 % / +10 %	2.06	29	42	Internal		5763510920
	24 V AC			29	42	Internal	with detent	5763515220
	110 V AC			29	42	Internal	with detent	5763515270
	110 V AC			29	42	Internal	without detent	5763515670
	230 V AC			29	42	Internal	with detent	5763515280
	24 V DC	-10 % / +10 %	1.6	34	35	External	with detent	5763600220
	24 V DC	-10 % / +10 %	1.6	34	35	External	without detent	5763600620
	24 V AC			34	35	External	with detent	5763605220
	110 V AC			34	35	External	with detent	5763605270
	110 V AC			34	35	External	without detent	5763605670

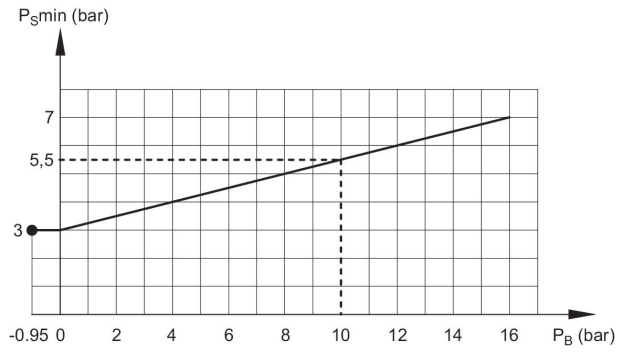
	Operational voltage	Voltage tolerance DC	Power consumption DC [W]	Switch-on time [ms]	Switch-off time [ms]	Pilot	Manual override	Part No.
	230 V AC			34	35	External	with detent	5763605280

Dimensions



1) mounting space for name plate 2) screws and seals captive 3) manual override

Minimum control pressure for externally piloted valves (depending on the working pressure)



P_B = Working pressure
 P_S = control pressure

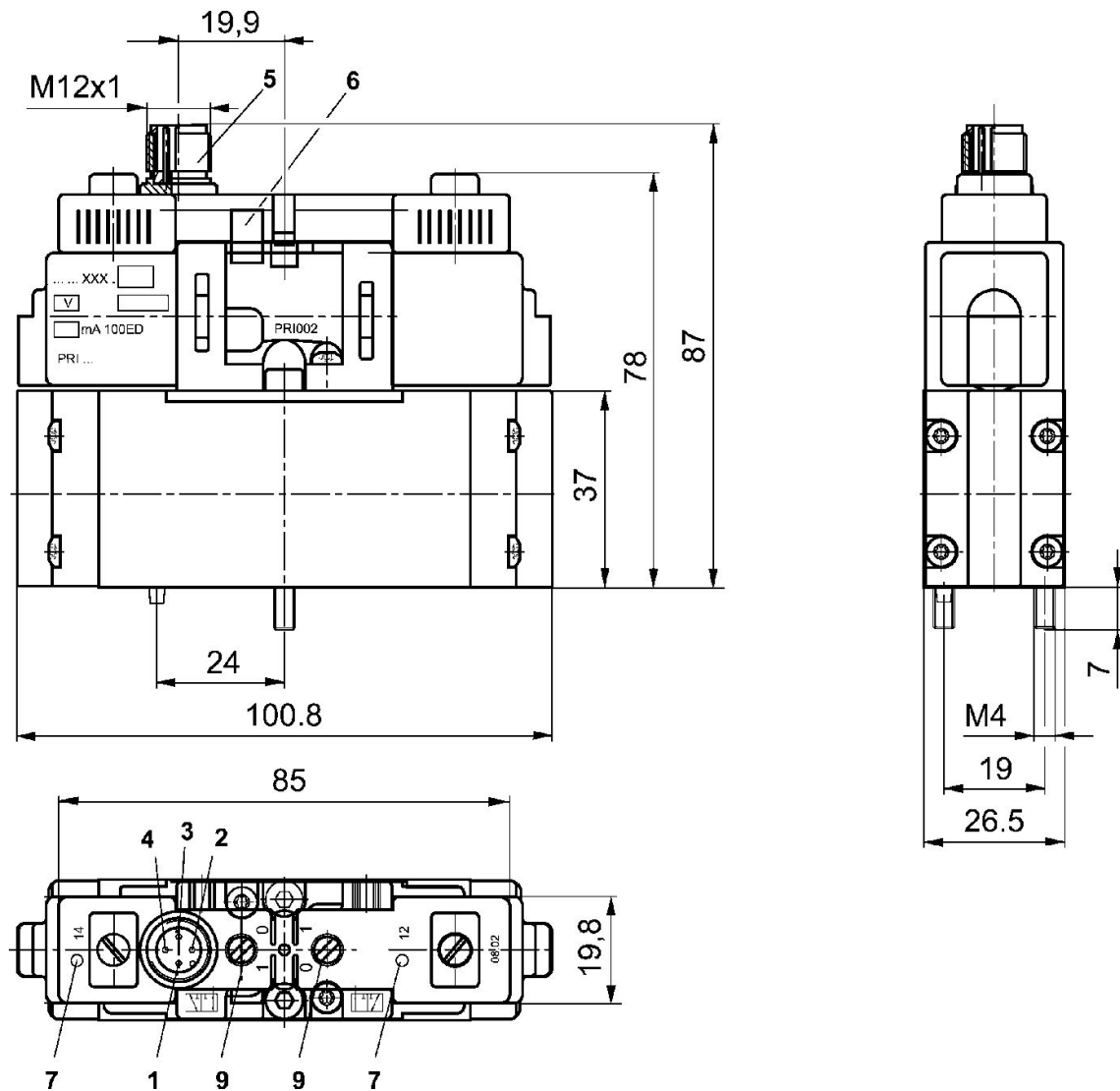
5/2-directional valve, Series CD01-PA M12x1

Activation: Electrically
 Pilot valve width: 26 mm
 Standards: ISO 15407-1
 Certificates: Free of substances that impair surface wetting in the coating process
 Flow: 1010 l/min
 Compressed air connection input: base plate DIN ISO 15407-1
 Compressed air connection output: base plate DIN ISO 15407-1
 Compressed air connection, exhaust: base plate DIN ISO 15407-1
 Duty cycle: 100 %
 Type: Spool valve, positive overlapping
 Control pressure min./max.: 2 bar ... 10 bar
 Ambient temperature min./max.: -15 °C ... 50 °C
 Medium temperature min./max.: -15 °C ... 50 °C



	Operational voltage	Voltage tolerance DC	Power consumption DC [W]	Switch-on time [ms]	Switch-off time [ms]	Pilot	Manual override	Part No.
	24 V DC	-10 % / +10 %	1.6	17	17	Internal	without detent	5763520720
	24 V DC	-10 % / +10 %	1.6	17	17	Internal	with detent	5763520520
	24 V DC	-10 % / +10 %	1.6	17	17	External	without detent	5763650720
	24 V DC	-10 % / +10 %	1.6	17	17	External	with detent	5763650520

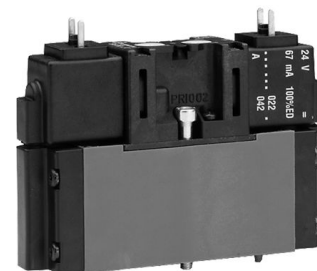
Dimensions



1) not assigned 2) magnet 12 3) 0 V 4) magnet 14 5) metal round plug M12x1 6) positioning pin 7) yellow valve switching state LED 9) manual override

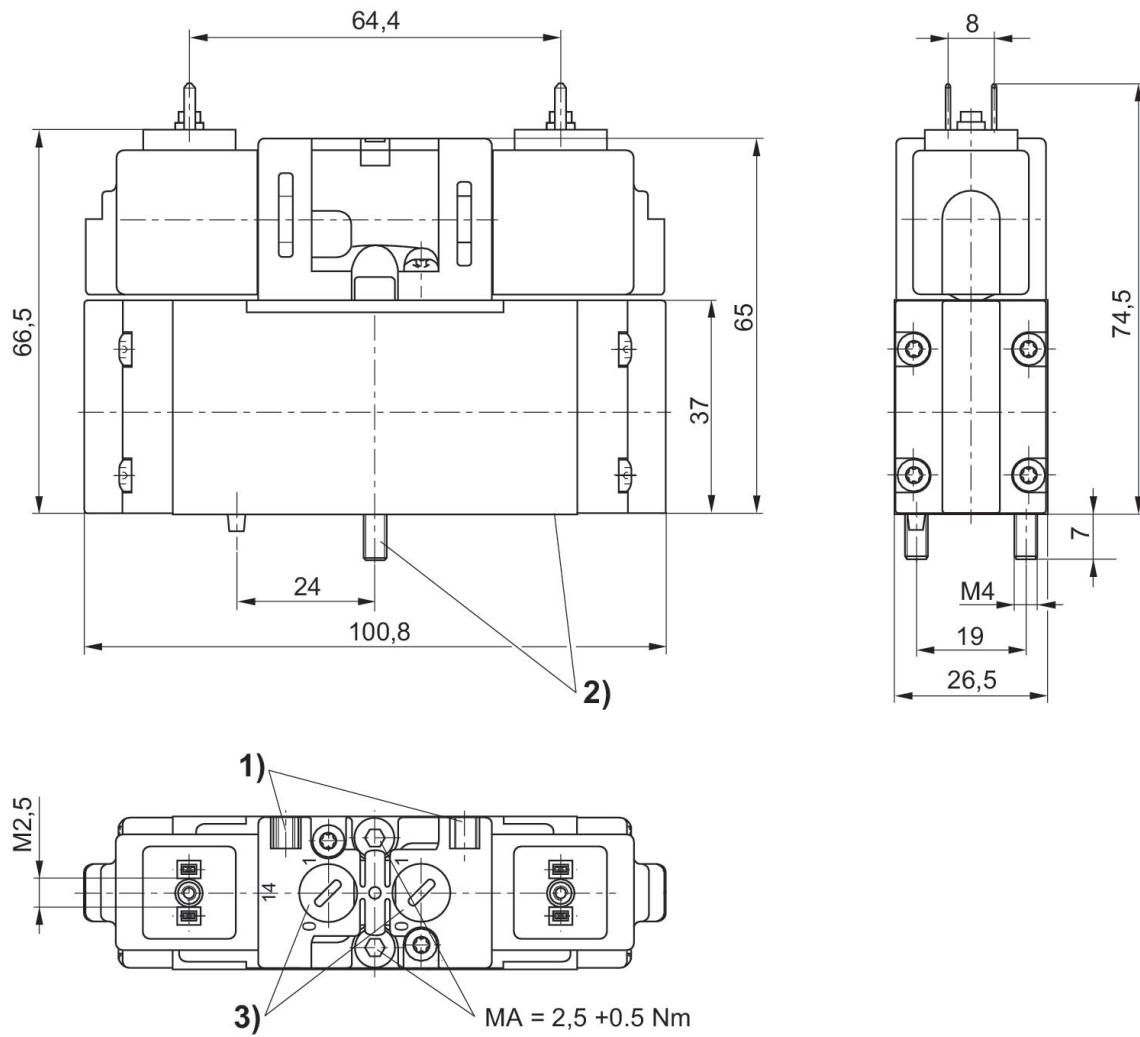
5/2-directional valve, Series CD01-PA form C

Activation: Electrically
 Pilot valve width: 26 mm
 Standards: ISO 15407-1
 Certificates: Free of substances that impair surface wetting in the coating process
 Flow: 1010 l/min
 Compressed air connection input: base plate DIN ISO 15407-1
 Compressed air connection output: base plate DIN ISO 15407-1
 Compressed air connection, exhaust: base plate DIN ISO 15407-1
 Duty cycle: 100 %
 Type: Spool valve, positive overlapping
 Control pressure min./max.: 2 bar ... 10 bar
 Ambient temperature min./max.: 50 °C
 Medium temperature min./max.: 50 °C



	Operational voltage	Voltage tolerance DC	Power consumption DC [W]	Switch-on time [ms]	Switch-off time [ms]	Pilot	Manual override	Part No.
	24 V DC	-10 % / +10 %	1.6	17	17	Internal	with detent	5763520220
	24 V DC	-10 % / +10 %	1.6	17	17	Internal	without detent	5763520620
	24 V AC			17	17	Internal	with detent	5763525220
	110 V AC			17	17	Internal	with detent	5763525270
	110 V AC			17	17	Internal	without detent	5763525670
	230 V AC			17	17	Internal	with detent	5763525280
	24 V DC	-10 % / +10 %	1.6	17	17	External	with detent	5763650220
	24 V DC	-10 % / +10 %	1.6	17	17	External	without detent	5763650620
	110 V AC			17	17	External	with detent	5763655270
	110 V AC			17	17	External	without detent	5763655670
	230 V AC			17	17	External	with detent	5763655280
	24 V DC	-10 % / +10 %	1.6	17	17	Internal	with detent	5763530220
	24 V DC	-10 % / +10 %	1.6	17	17	Internal	without detent	5763530620
	24 V DC	-10 % / +10 %	2.06	17	17	Internal	without	5763530920
	110 V AC			17	17	Internal	with detent	5763535270
	110 V AC			17	17	Internal	without detent	5763535670

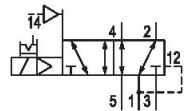
Dimensions



1) mounting space for name plate 2) screws and seals captive 3) manual override

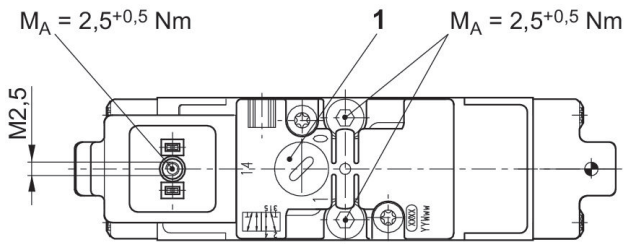
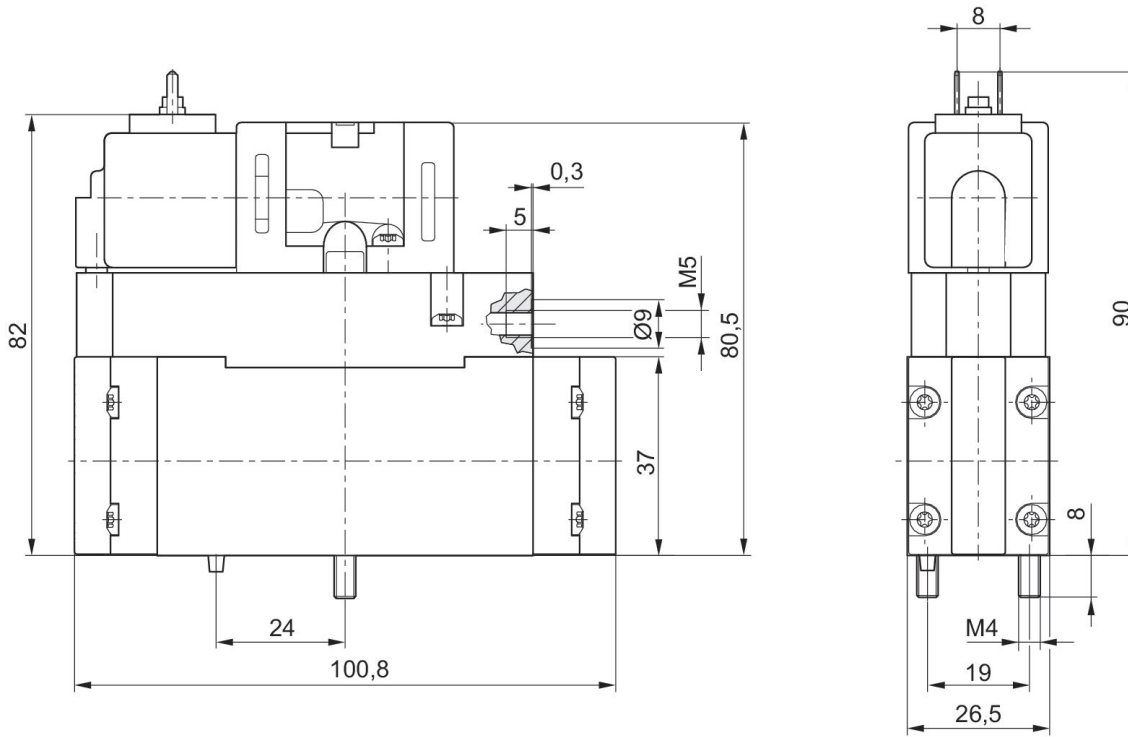
5/2-directional valve, Series CD01-PA

Activation: Electrically
 Pilot valve width: 26 mm
 Standards: ISO 15407-1
 Certificates: Free of substances that impair surface wetting in the coating process
 Flow: 1010 l/min
 Duty cycle: 100 %
 Type: Spool valve, positive overlapping
 Control pressure min./max.: 3 bar ... 10 bar
 Ambient temperature min./max.: -15 °C ... 50 °C
 Medium temperature min./max.: -15 °C ... 50 °C
 Working pressure min./max.: 3 bar ... 10 bar



Operational voltage	Voltage tolerance DC	Power consumption DC [W]	Switch-on time [ms]	Switch-off time [ms]	Pilot	Manual override	Part No.
24 V DC	-10 % / +10 %	1.6	29	42	External	with detent	R412004730

Dimensions



1) Manual override

5/3-directional valve, Series CD01-PA

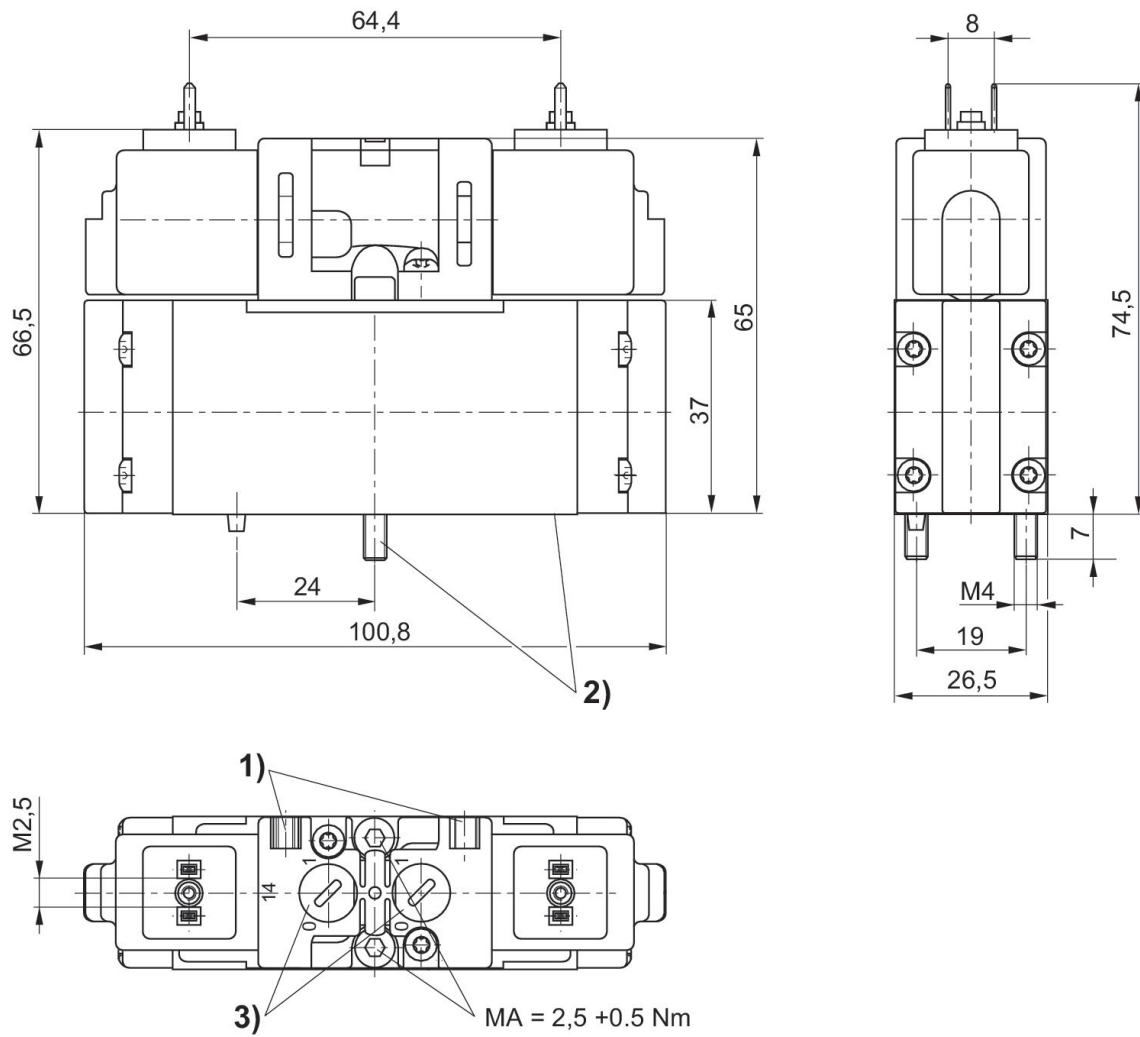
Activation: Electrically
 Pilot valve width: 26 mm
 Standards: ISO 15407-1
 Certificates: Free of substances that impair surface wetting in the coating process
 Compressed air connection input: base plate DIN ISO 15407-1
 Compressed air connection output: base plate DIN ISO 15407-1
 Compressed air connection, exhaust: base plate DIN ISO 15407-1
 Duty cycle: 100 %
 Type: Spool valve, positive overlapping
 Control pressure min./max.: 3 bar
 Ambient temperature min./max.: -15 °C ... 50 °C
 Medium temperature min./max.: -15 °C ... 50 °C
 Working pressure min./max.: -0.95 bar ... 16 bar



	Operational voltage	Voltage tolerance DC	Power consumption DC [W]	Switch-on time [ms]	Switch-off time [ms]	Pilot	Manual override	Part No.
	24 V DC	-10 % / +10 %	1.6	27	55	Internal	with detent	5763800220
	24 V DC	-10 % / +10 %	1.6	27	55	Internal	without detent	5763800620
	24 V DC	-10 % / +10 %	2.06	27	55	Internal	without	5763800920
	110 V AC			27	55	Internal	with detent	5763805270
	110 V AC			27	55	Internal	without detent	5763805670
	24 V DC	-10 % / +10 %	1.6	27	55	External	with detent	5763850220
	24 V DC	-10 % / +10 %	1.6	27	55	External	without detent	5763850620
	110 V AC			27	55	External	with detent	5763855270
	110 V AC			27	55	External	without detent	5763855670
	24 V DC	-10 % / +10 %	1.6	24	58	Internal	with detent	5763810220
	24 V DC	-10 % / +10 %	1.6	24	58	Internal	without detent	5763810620
	24 V DC	-10 % / +10 %	2.06	24	58	Internal	without	5763810920
	24 V AC			24	58	Internal	with detent	5763815220
	110 V AC			24	58	Internal	with detent	5763815270
	110 V AC			24	58	Internal	without detent	5763815670
	230 V AC			24	58	Internal	with detent	5763815280
	24 V DC	-10 % / +10 %	1.6	24	58	External	with detent	5763860220
	24 V DC	-10 % / +10 %	1.6	24	58	External	without detent	5763860620

	Operational voltage	Voltage tolerance DC	Power consumption DC [W]	Switch-on time [ms]	Switch-off time [ms]	Pilot	Manual override	Part No.
	110 V AC			24	58	External	with detent	5763865270
	110 V AC			24	58	External	without detent	5763865670
	12 V DC	-10 % / +10 %	1.6	24	49	Internal	with detent	5763820210
	24 V DC	-10 % / +10 %	1.6	24	49	Internal	with detent	5763820220
	24 V DC	-10 % / +10 %	1.6	24	49	Internal	without detent	5763820620
	110 V AC			24	49	Internal	with detent	5763825270
	110 V AC			24	49	Internal	without detent	5763825670
	230 V AC			24	49	Internal	with detent	5763825280
	24 V DC	-10 % / +10 %	1.6	24	49	External	with detent	5763870220
	24 V DC	-10 % / +10 %	1.6	24	49	External	without detent	5763870620
	110 V AC			24	49	External	with detent	5763875270
	110 V AC			24	49	External	without detent	5763875670

Dimensions



1) mounting space for name plate 2) screws and seals captive 3) manual override

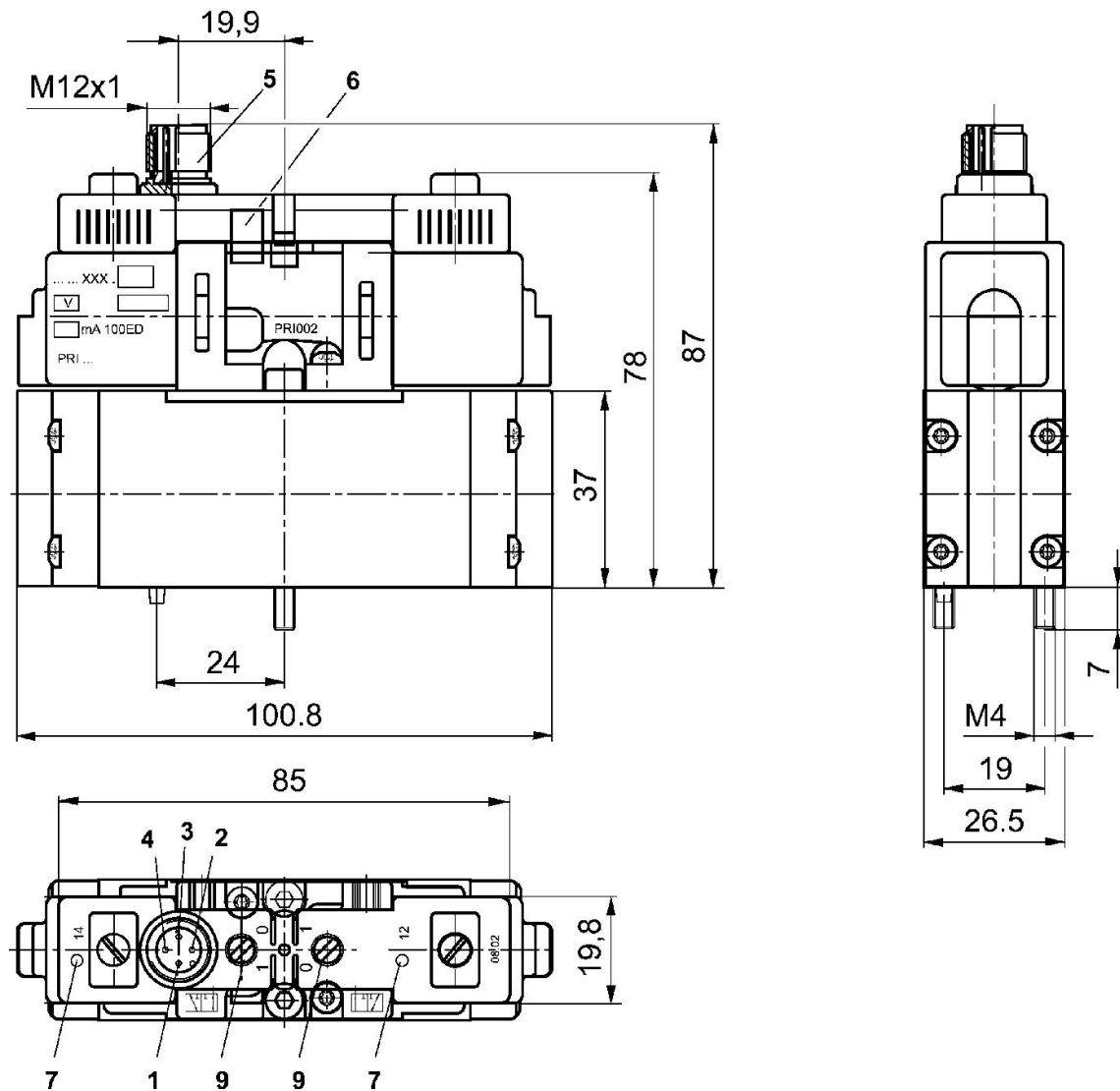
5/3-directional valve, Series CD01-PA

Activation: Electrically
 Pilot valve width: 26 mm
 Standards: ISO 15407-1
 Certificates: Free of substances that impair surface wetting in the coating process
 Compressed air connection input: base plate DIN ISO 15407-1
 Compressed air connection output: base plate DIN ISO 15407-1
 Compressed air connection, exhaust: base plate DIN ISO 15407-1
 Duty cycle: 100 %
 Type: Spool valve, positive overlapping
 Control pressure min./max.: 3 bar ... 10 bar
 Ambient temperature min./max.: -15 °C ... 50 °C
 Medium temperature min./max.: -15 °C ... 50 °C



	Operational voltage	Voltage tolerance DC	Power consumption DC [W]	Switch-on time [ms]	Switch-off time [ms]	Pilot	Manual override	Part No.
	24 V DC	-10 % / +10 %	1.6	27	55	Internal	without detent	5763800720
	24 V DC	-10 % / +10 %	1.6	27	55	Internal	with detent	5763800520
	24 V DC	-10 % / +10 %	1.6	27	55	External	without detent	5763850720
	24 V DC	-10 % / +10 %	1.6	27	55	External	with detent	5763850520
	24 V DC	-10 % / +10 %	1.6	24	58	Internal	without detent	5763810720
	24 V DC	-10 % / +10 %	1.6	24	58	Internal	with detent	5763810520
	24 V DC	-10 % / +10 %	1.6	24	58	External	without detent	5763860720
	24 V DC	-10 % / +10 %	1.6	24	58	External	with detent	5763860520
	24 V DC	-10 % / +10 %	1.6	24	49	Internal	without detent	5763820720
	24 V DC	-10 % / +10 %	1.6	24	49	Internal	with detent	5763820520
	24 V DC	-10 % / +10 %	1.6	24	49	External	without detent	5763870720
	24 V DC	-10 % / +10 %	1.6	24	49	External	with detent	5763870520

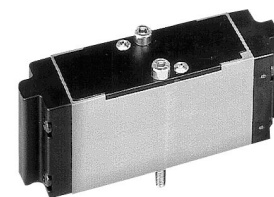
Dimensions



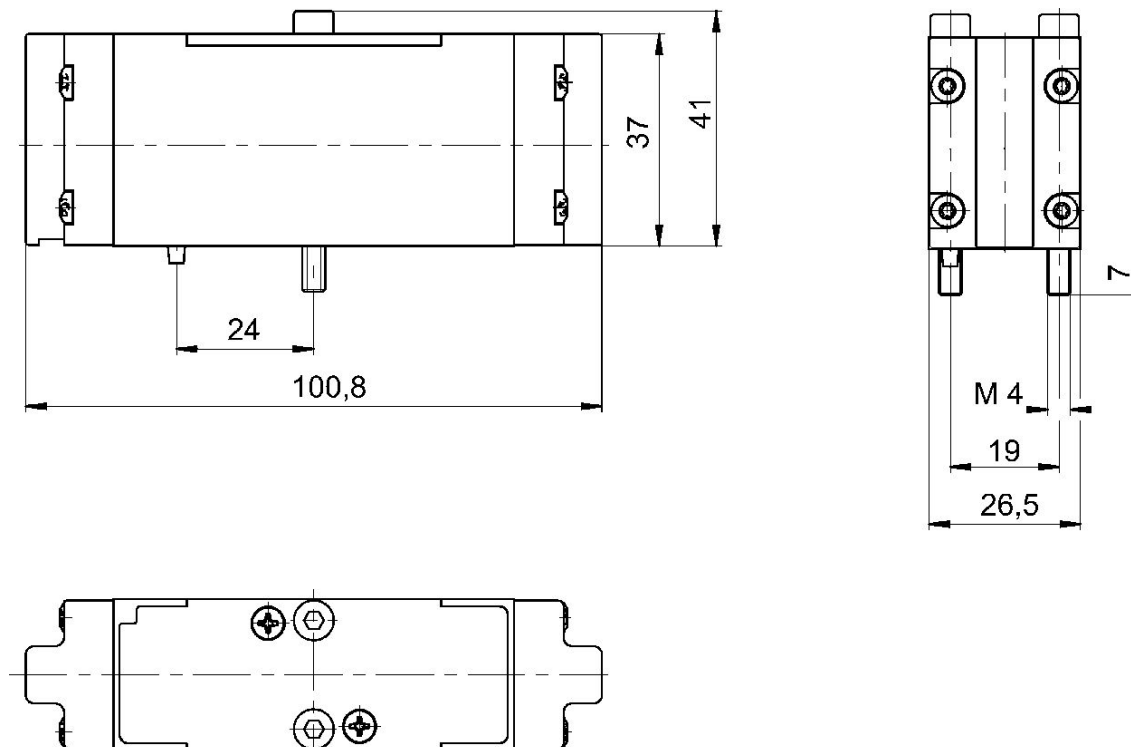
1) not assigned 2) magnet 12 3) 0 V 4) magnet 14 5) metal round plug M12x1 6) positioning pin 7) yellow valve switching state LED 9) manual override

2x3/2-directional valve, CD01-PA

Flow: 1010 l/min
 Activation: Pneumatically
 Qn 1 > 2: 1010 l/min
 Compressed air connection type: Base plate connection
 Compressed air connection input: base plate DIN ISO 15407-1
 Compressed air connection output: base plate DIN ISO 15407-1
 Compressed air connection, exhaust: base plate DIN ISO 15407-1
 Max. control pressure: 16 bar
 Type: Spool valve, positive overlapping
 Ambient temperature min./max.: -15 °C ... 50 °C
 Medium temperature min./max.: -15 °C ... 50 °C
 Working pressure min./max.: 2.5 bar ... 16 bar

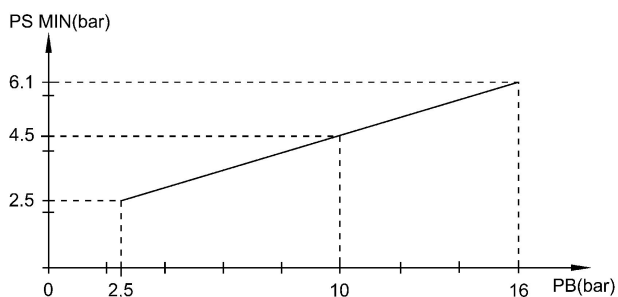


Dimensions



Diagram

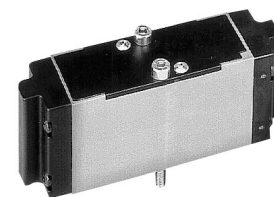
Control pressure



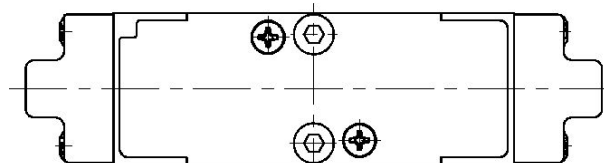
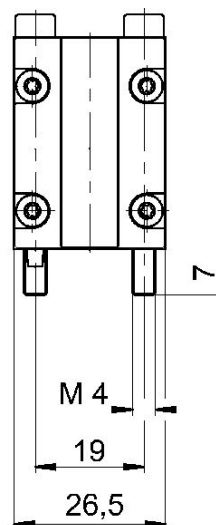
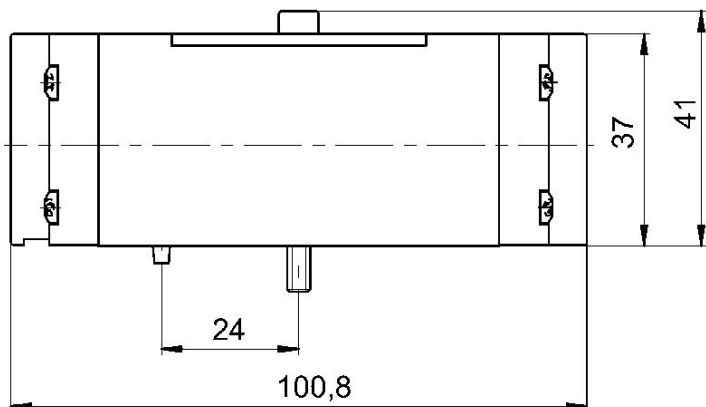
P_B = Working pressure
 PS = control pressure

5/2-directional valve, CD01-PA

Flow: 1010 l/min
 Activation: Pneumatically
 Qn 1 > 2: 1010 l/min
 Compressed air connection type: Base plate connection
 Compressed air connection input: base plate DIN ISO 15407-1
 Compressed air connection output: base plate DIN ISO 15407-1
 Compressed air connection, exhaust: base plate DIN ISO 15407-1
 Max. control pressure: 16 bar
 Type: Spool valve, positive overlapping
 Ambient temperature min./max.: -15 °C ... 50 °C
 Medium temperature min./max.: -15 °C ... 50 °C
 Working pressure min./max.: -0.95 bar ... 16 bar

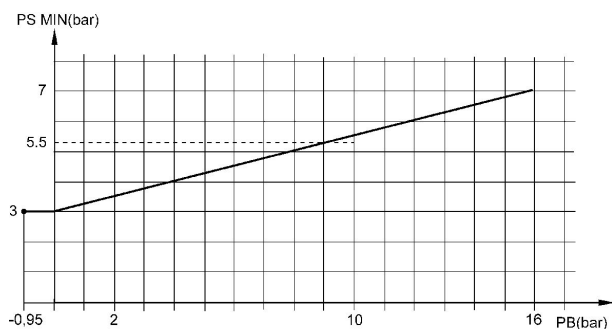


Dimensions



Diagram

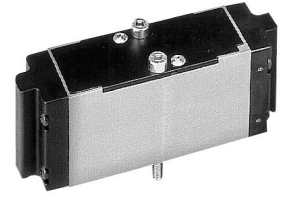
Control pressure



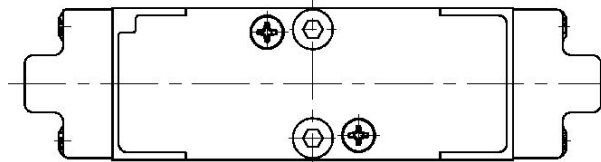
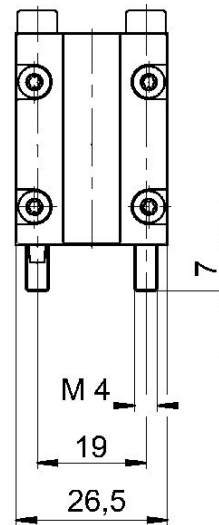
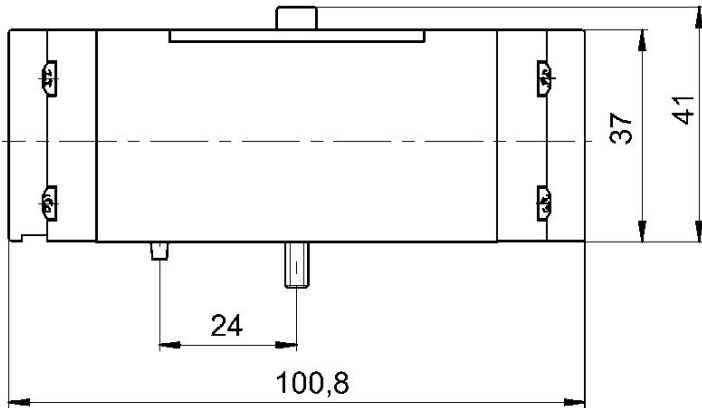
P_B = Working pressure
 PS = control pressure

5/3-directional valve, CD01-PA

Activation: Pneumatically
Actuating control: Double Air Pilot
Compressed air connection type: Base plate connection
Compressed air connection input: base plate DIN ISO 15407-1
Compressed air connection output: base plate DIN ISO 15407-1
Compressed air connection, exhaust: base plate DIN ISO 15407-1
Min. control pressure: 3 bar
Max. control pressure: 16 bar
Type: Spool valve, positive overlapping
Ambient temperature min./max.: -15 °C ... 50 °C
Medium temperature min./max.: -15 °C ... 50 °C
Working pressure min./max.: -0.95 bar ... 16 bar



Dimensions

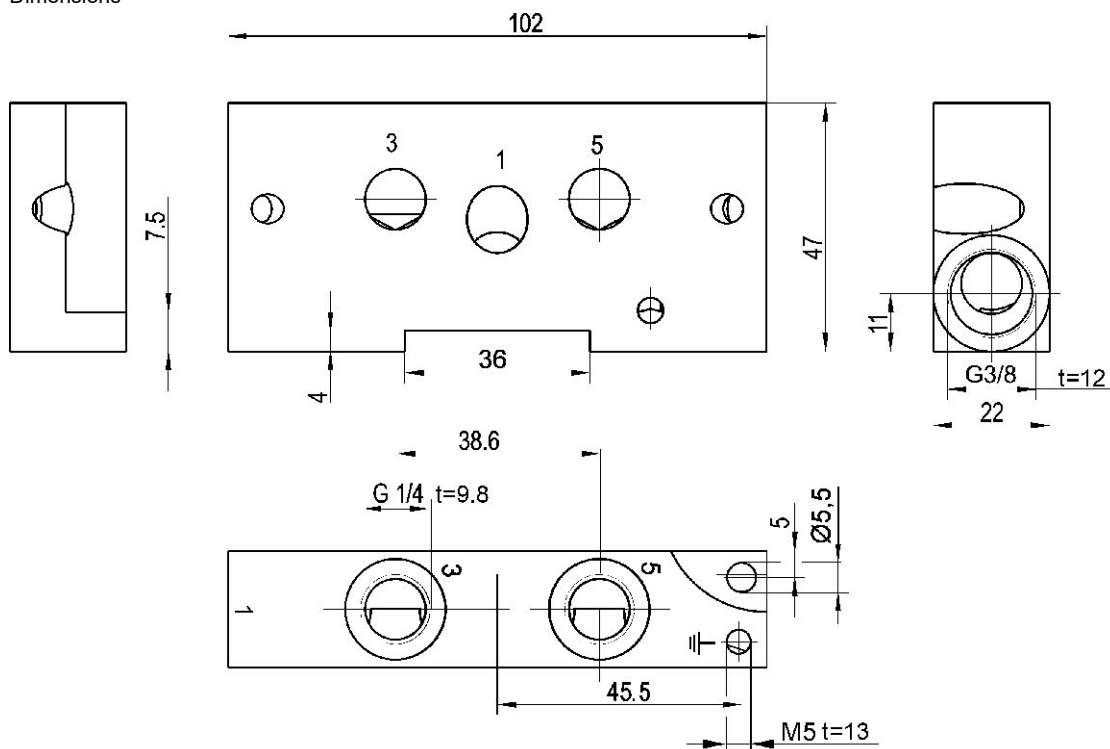


Subbase

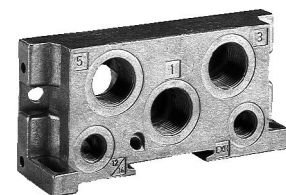


Compressed air connection input	Compressed air connection, exhaust	Pilot	Part No.
G 3/8	G 1/4	Internal	R412000630
G 3/8	G 1/4	External	R412000631

Dimensions

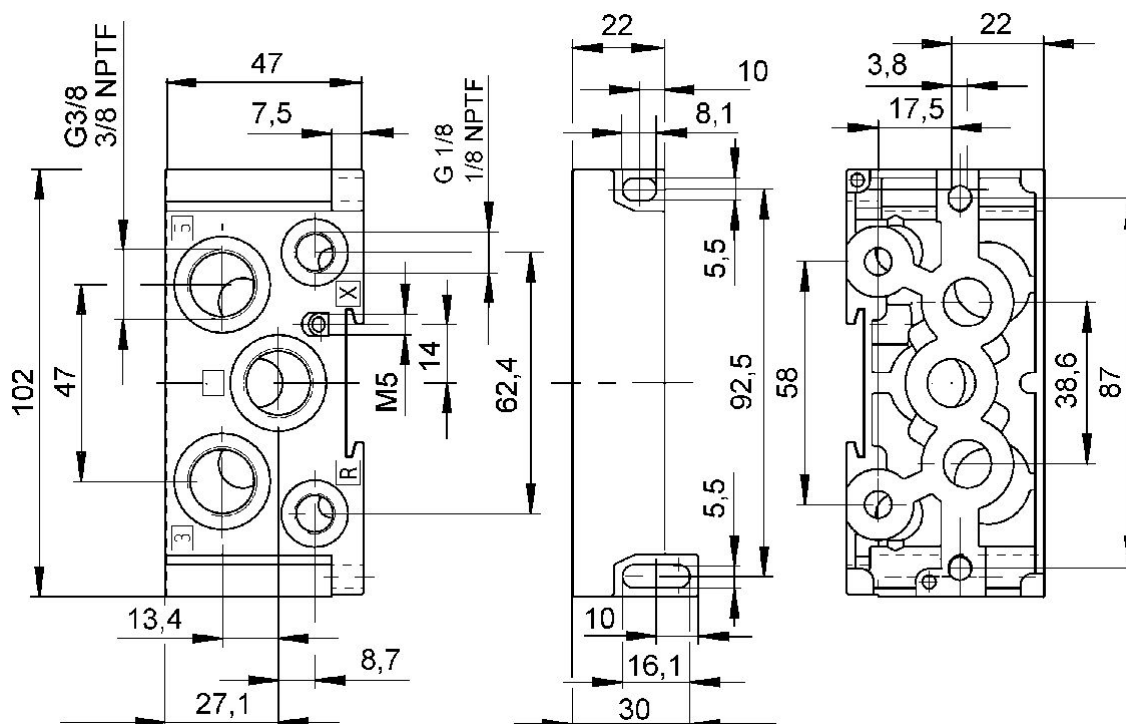


End plate left, End plate right



Type	Compressed air connection input	Compressed air connection, exhaust	Part No.
End plate left	G 3/8	G 3/8	8985121002
End plate right	G 3/8	G 3/8	8985121012

Dimensions

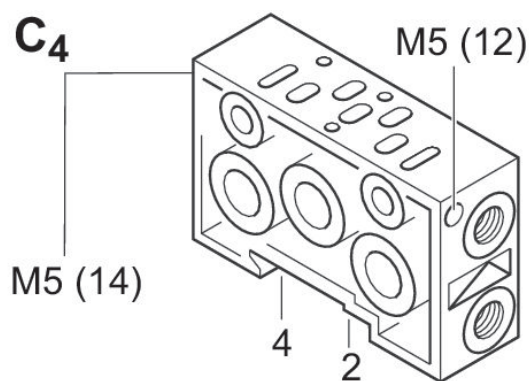
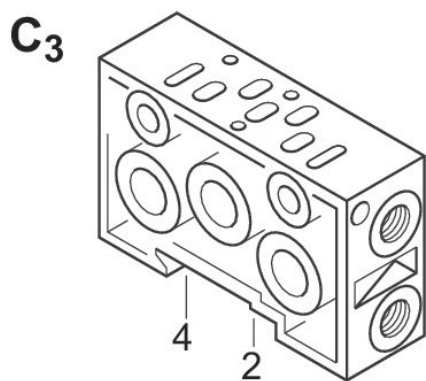
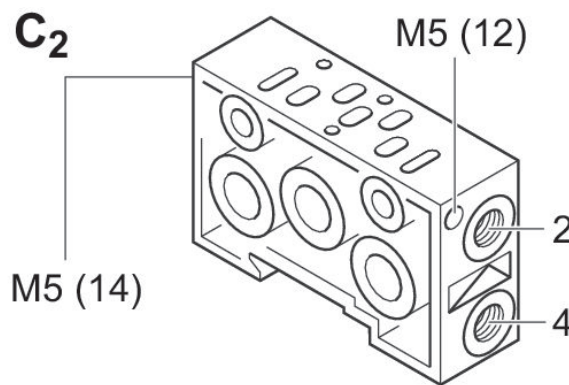
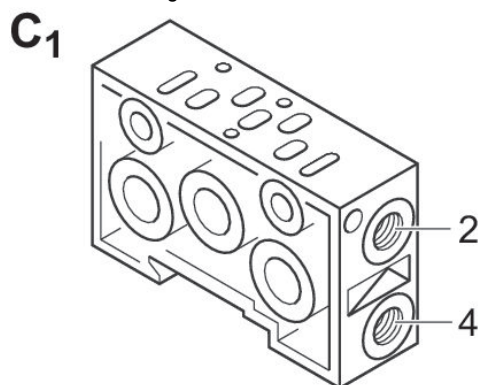


Base plate



Type	Compressed air connection output	Compressed air connection pilot air	Compressed air connection pilot air exhaust	Connection direction	Max. number of valve positions	Part No.
C1	G 1/4			On the side	1	1825504023
C1	Ø 10x1			On the side	1	1825504025
C2	G 1/4	M5	M5	On the side	1	1825504026
C3	G 1/4			Down	1	1825504029
C4	G 1/4	M5	M5	Down	1	1825504030

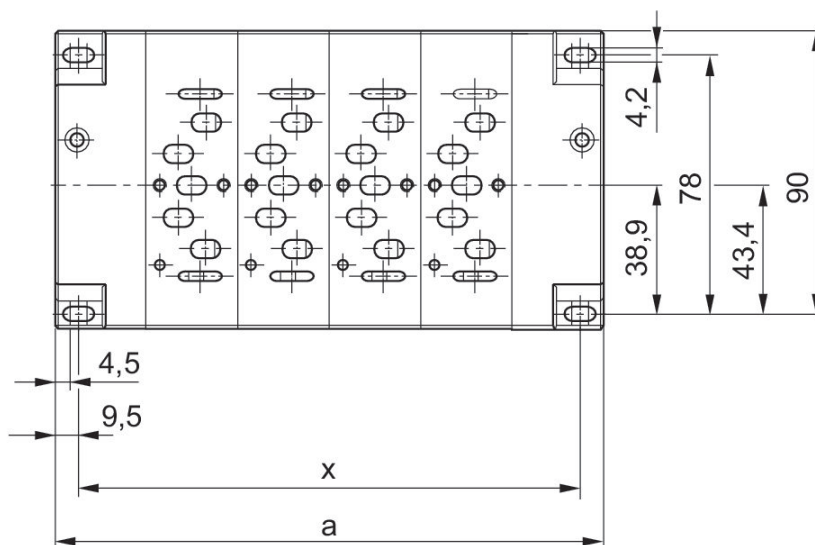
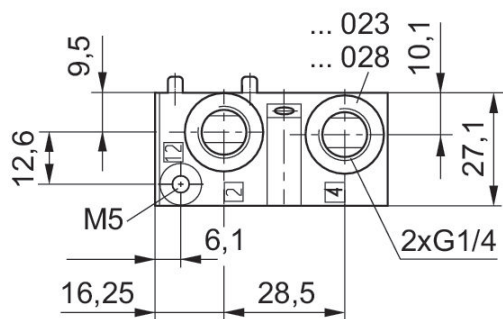
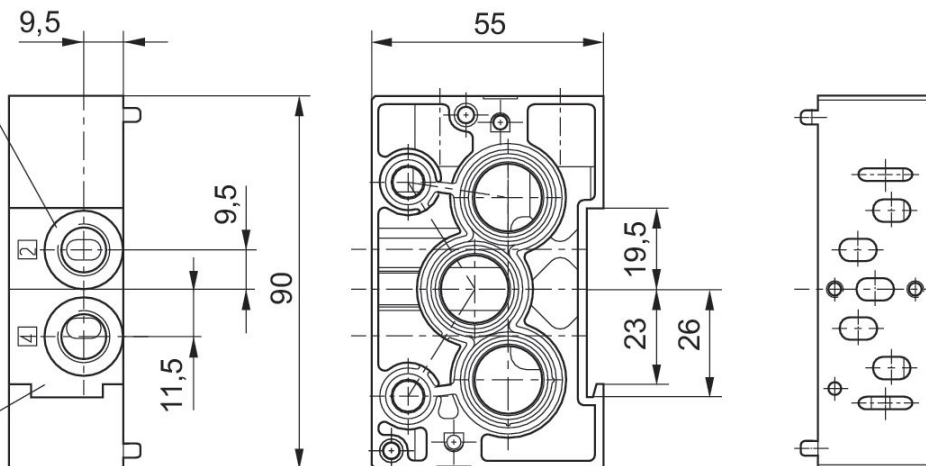
Overview drawing



Dimensions

2xG1/4

... 029
... 030

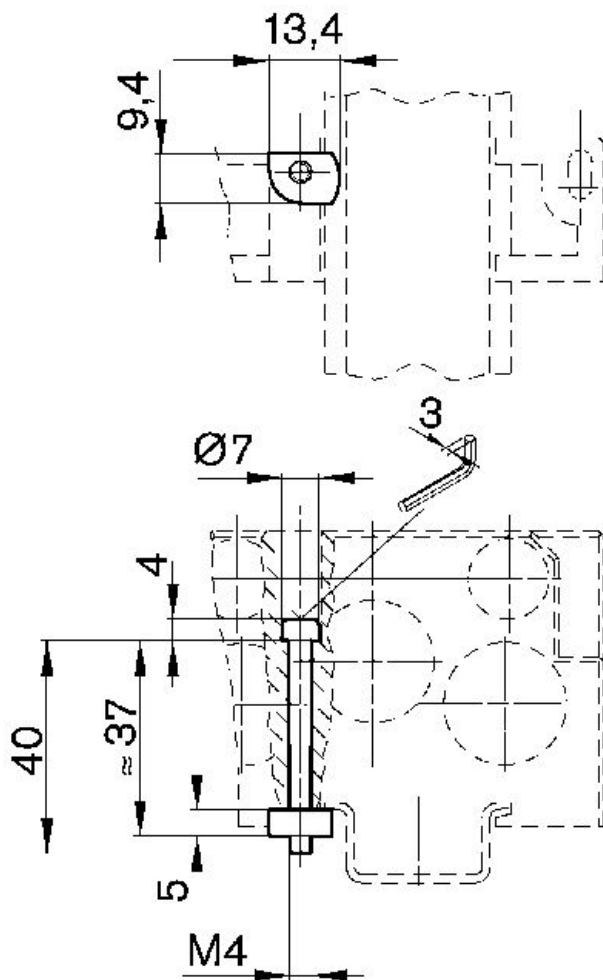


n	a	x ±0,3
2	108	94
3	135	121
4	162	148
...
...
n	= 27*(2+n)	= 40+27*n

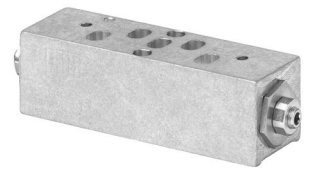
Mounting kit for DIN rails DIN



Type	Type	Delivery unit [piece]	Weight [kg]	Part No.
Mounting kit for DIN rails EN 60715, 35x15	26 mm	1	0.014	1821398007

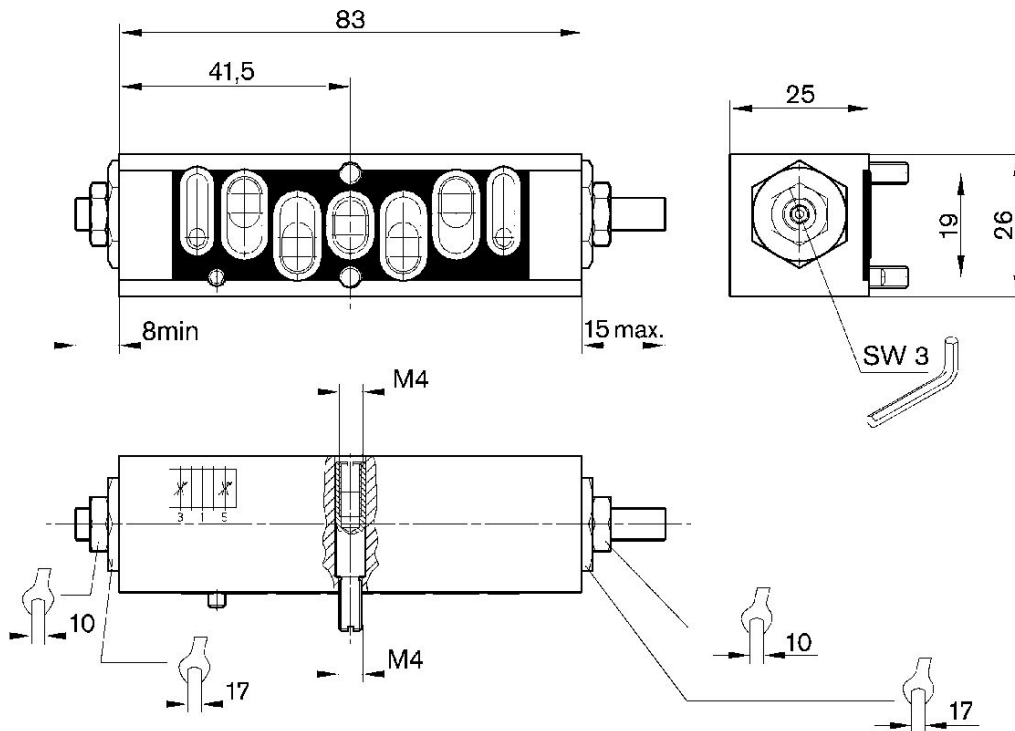


Throttle plate



Type	Part No.
Exhaust Air Throttling	0821201022

Dimensions



Pressure regulator for horizontal stacking

Qn 1 > 2: 2100 l/min

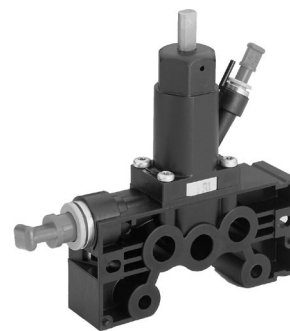
Certificates: Free of substances that impair surface wetting in the coating process

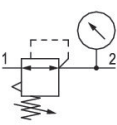
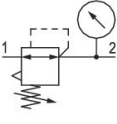
Compressed air connection input: Special base plate, Ø 12

Ambient temperature min./max.: -15 °C ... 50 °C

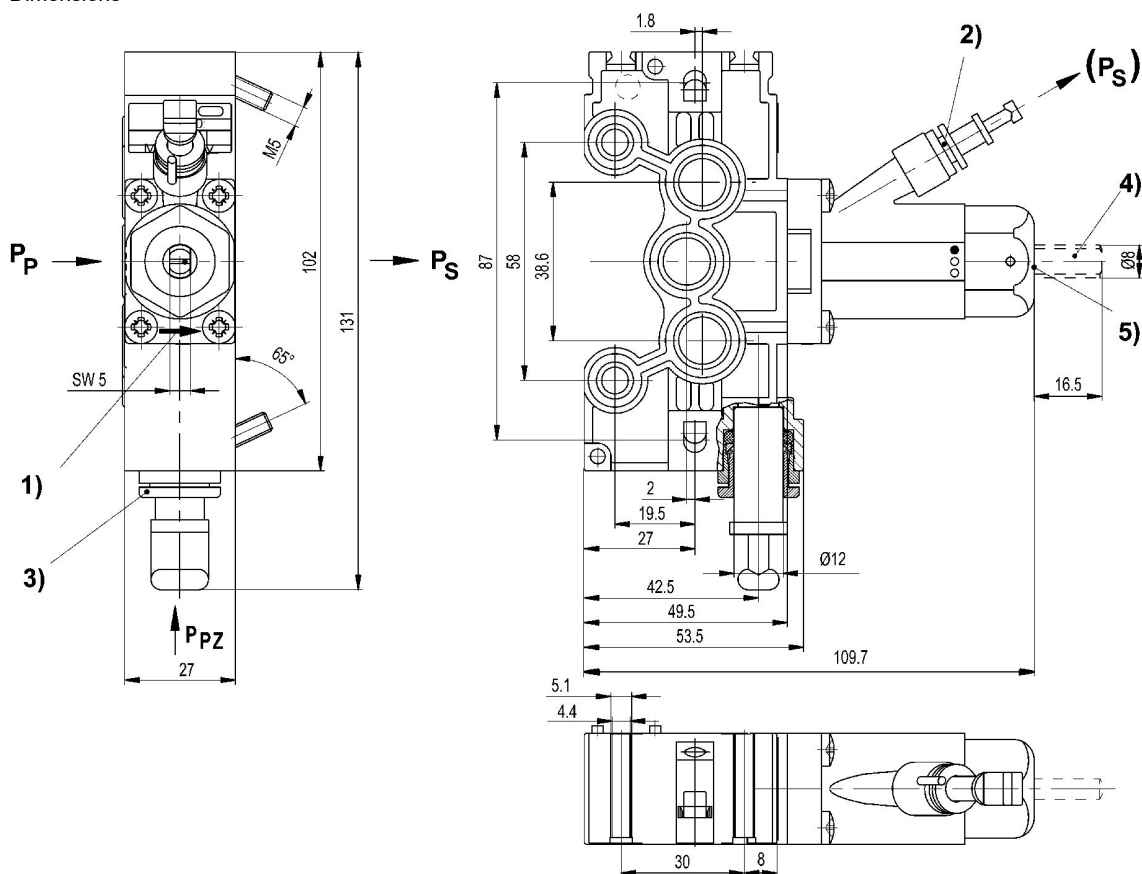
Medium temperature min./max.: -15 °C ... 50 °C

Working pressure min./max.: 2 bar ... 10 bar



	Min. regulation range [bar]	Max. regulation range [bar]	Actuating element	Flow Qn [l/min]	Part No.
	0.8	8	Screw with wrench flats	2100	5750020000
	0.8	8	Slotted screw	2100	R412003769

Dimensions



- 1) Flow direction 2) Push-in fitting $\varnothing 6 \times 1$ (for gauge) 3) Additional pressure feed possible (push-in fitting $\varnothing 12$) PP primary pressure PS secondary pressure PPZ additional primary pressure supply
4) activation with key SW 5
5) activation with screwdriver

Pressure regulator for vertical stacking

Qn 1 > 2: 750 l/min

Certificates: Free of substances that impair surface wetting in the coating process

Ambient temperature min./max.: -15 °C ... 50 °C

Medium temperature min./max.: -15 °C ... 50 °C

Working pressure min./max.: 2 bar ... 10 bar



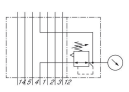
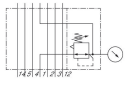
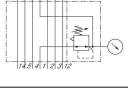
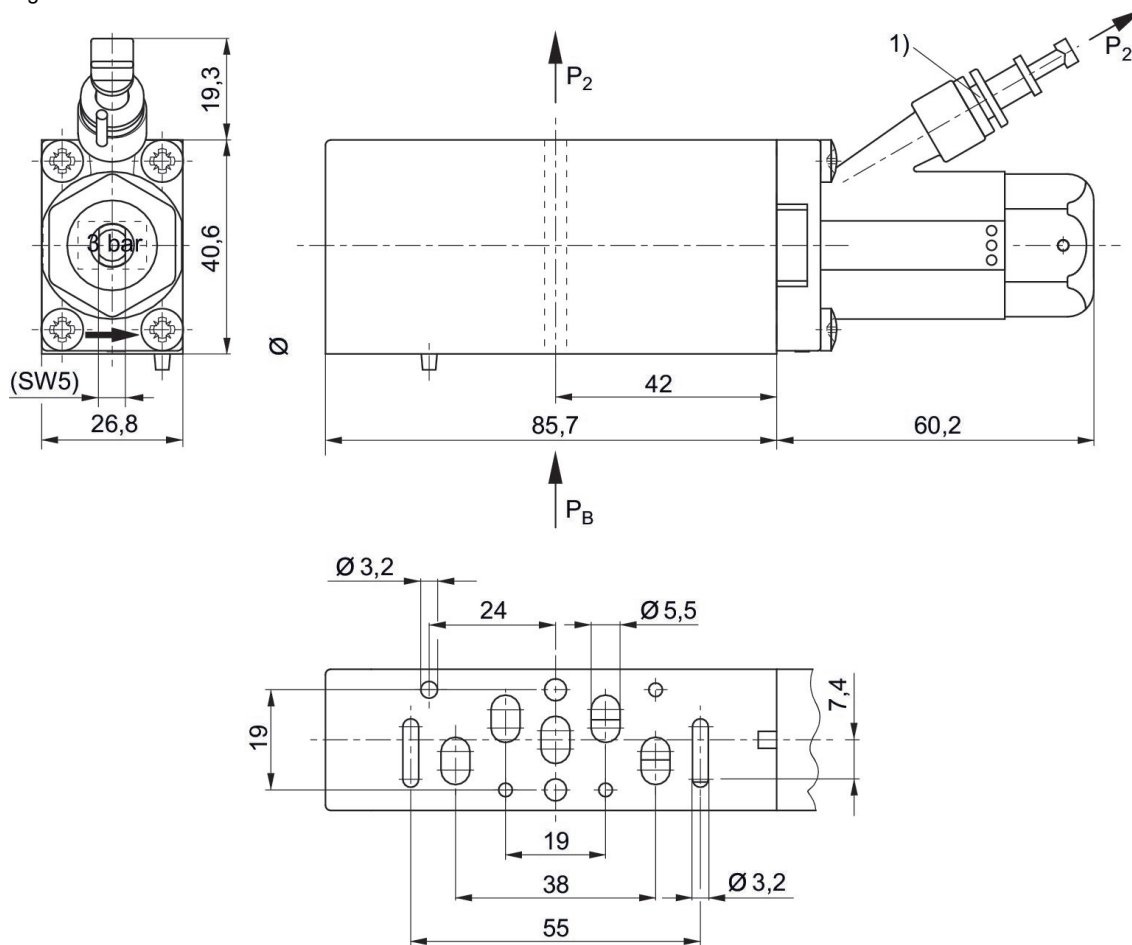
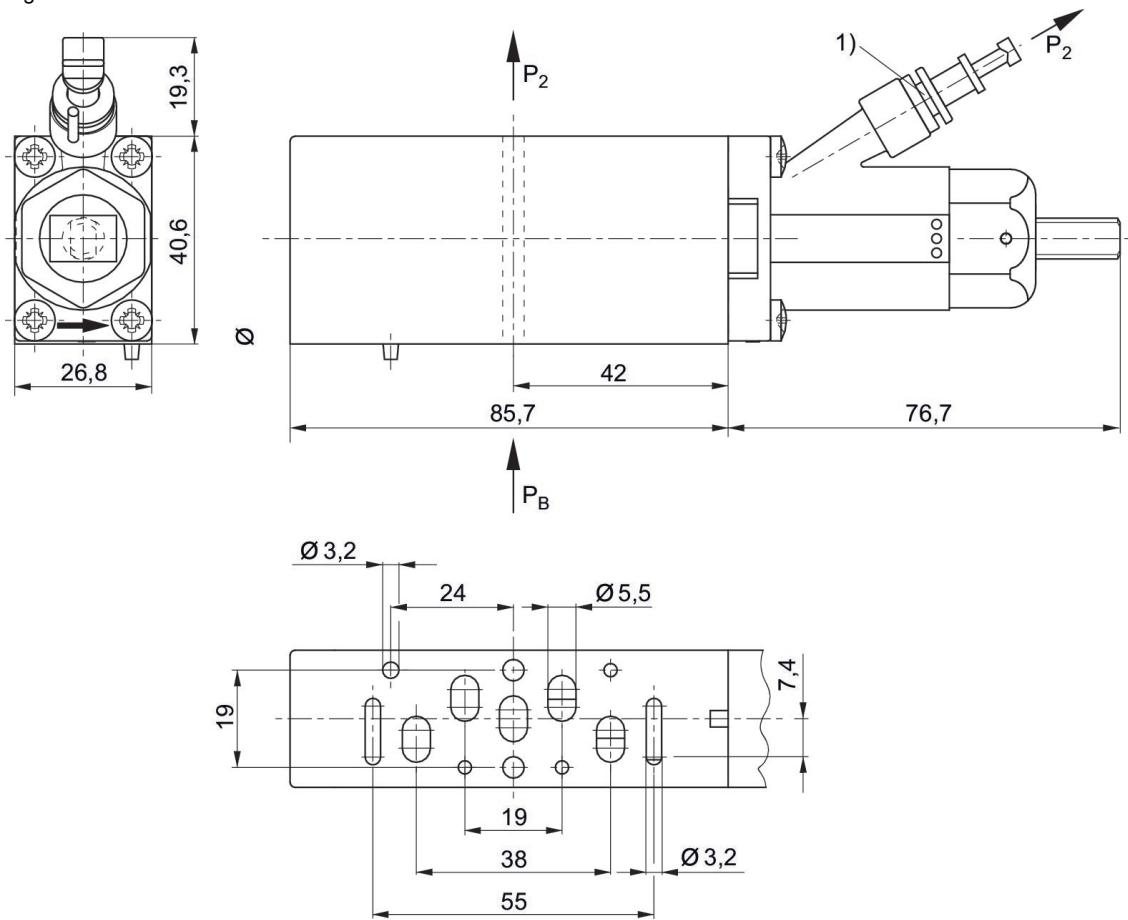
	Con- trolled port	Min. regula- tion range [bar]	Max. regula- tion range [bar]	Actuating element	Flow Qn [l/min]	Fig.	Part No.
	1	0.8	8	Screw with wrench flats	750	Fig. 2	5750020500
	1	0.5	4	Screw with wrench flats	750	Fig. 2	R412003719
	1	3	3		750	Fig. 1	5750020530

Fig. 1



1) push-in fitting Ø 6x1 (for pressure gauge) 2) preset at 3 bar
 p₂ = Secondary pressure
 P_B = Working pressure

Fig. 2



1) Push-in fitting $\text{Ø } 6 \times 1$ (for gauge)
 p_2 = Secondary pressure
 P_B = Working pressure

Pressure regulator for vertical stacking

Qn 1 > 2: 750 l/min

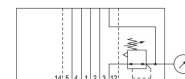
Certificates: Free of substances that impair surface wetting in the coating process

Compressed air connection, exhaust: base plate DIN ISO 15407-1

Ambient temperature min./max.: -15 °C ... 50 °C

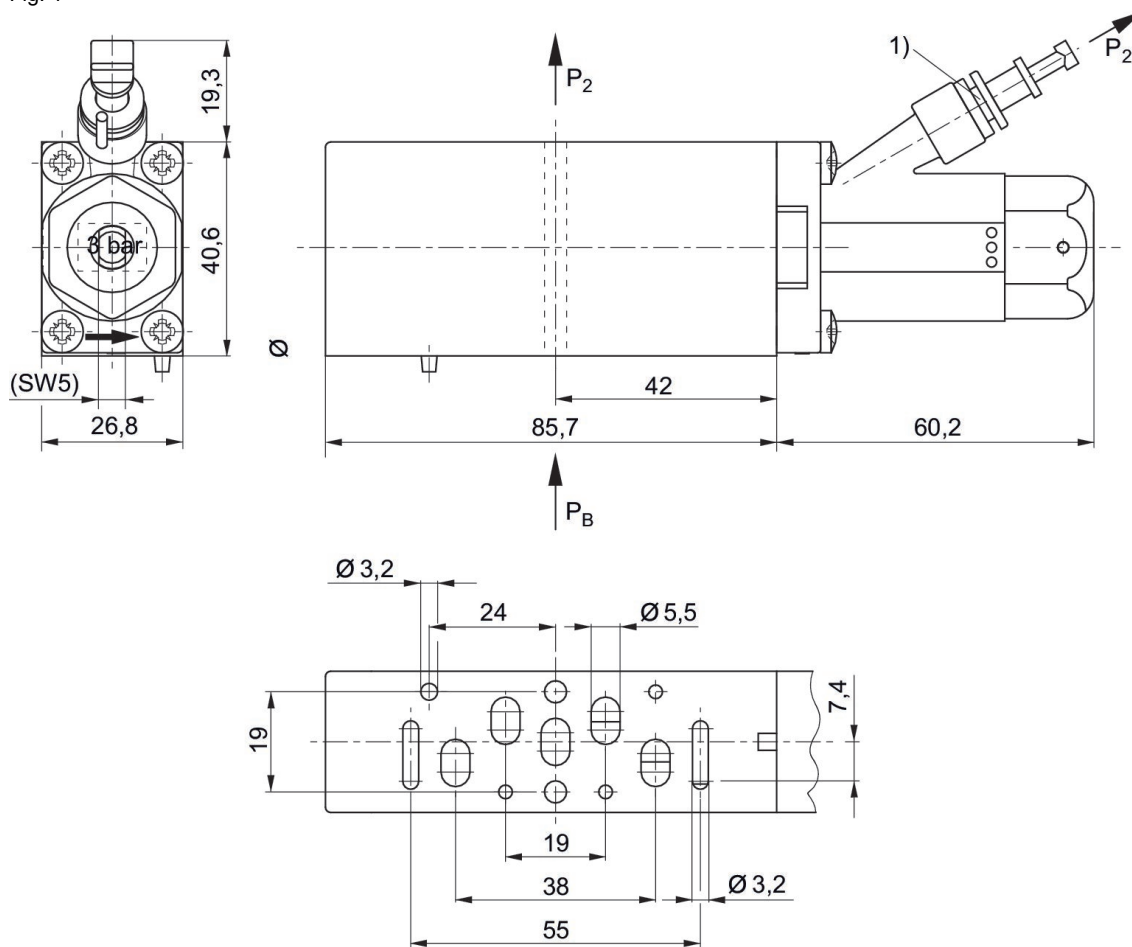
Medium temperature min./max.: -15 °C ... 50 °C

Working pressure min./max.: 2 bar ... 10 bar



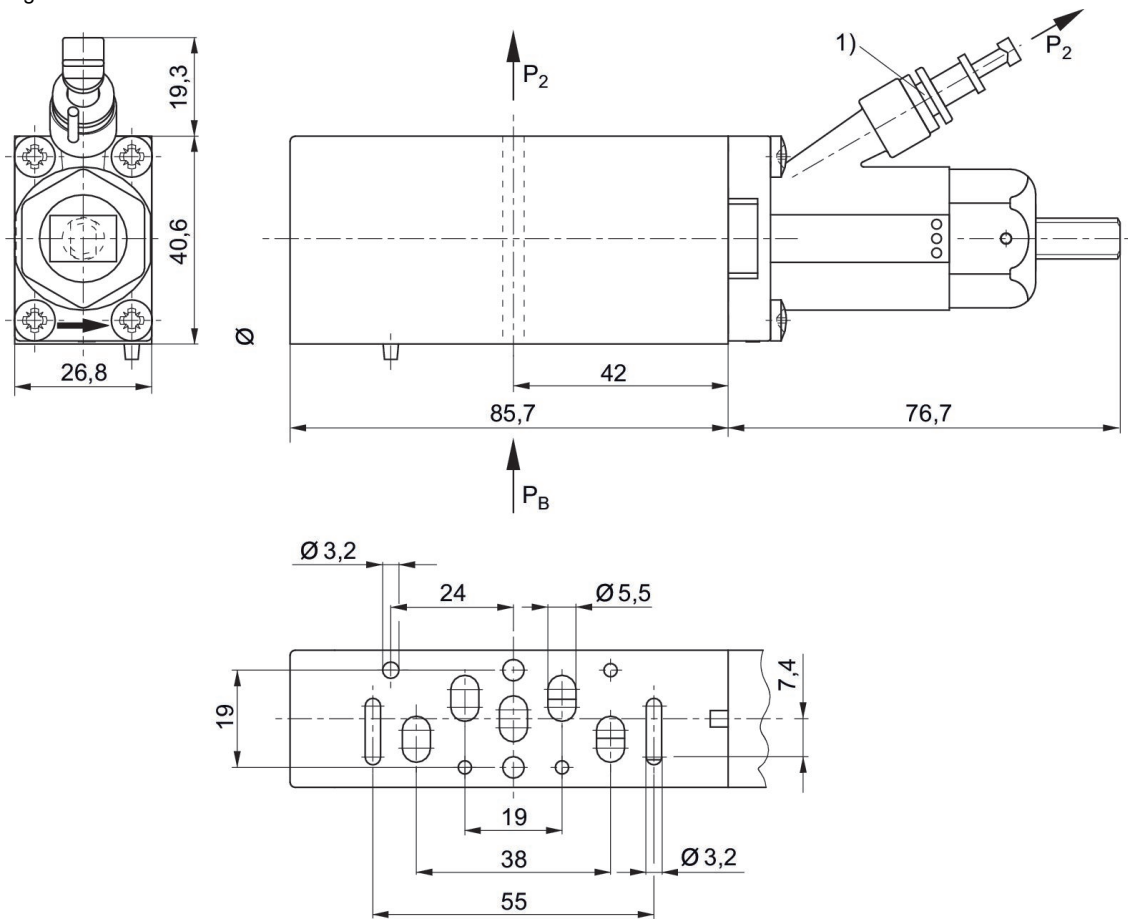
Controlled port	Min. regulation range [bar]	Max. regulation range [bar]	Actuating element	Flow Qn [l/min]	Fig.	Part No.
3	0.8	8	Screw with wrench flats	750	Fig. 1	5750020510
3	3	3		750	Fig. 2	5750020520

Fig. 1



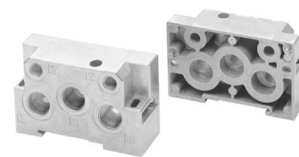
1) push-in fitting $\text{Ø } 6 \times 1$ (for pressure gauge) 2) preset at 3 bar
 p_2 = Secondary pressure
 P_B = Working pressure

Fig. 2



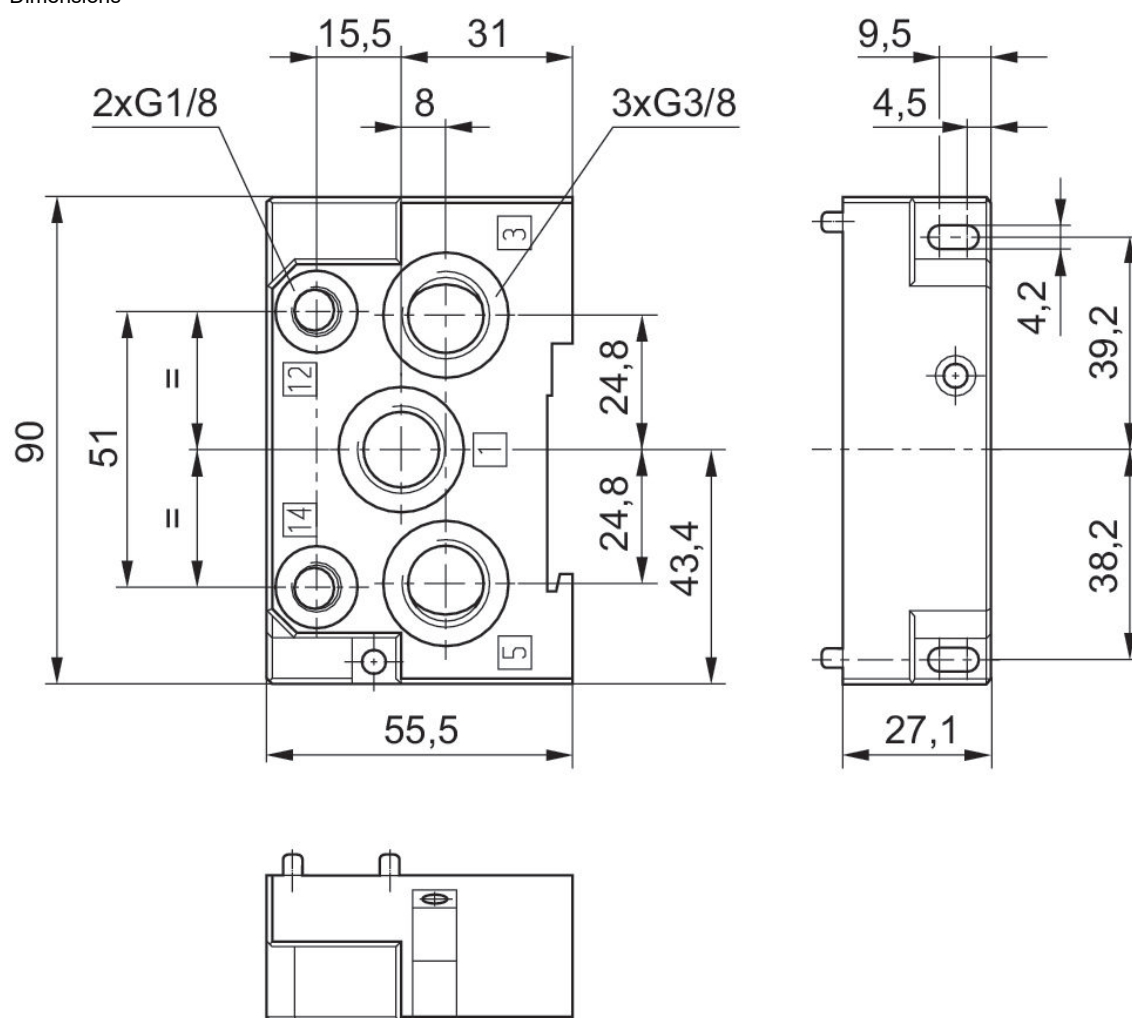
1) Push-in fitting $\varnothing 6 \times 1$ (for gauge)
 p_2 = Secondary pressure
 P_B = Working pressure

Supply plate



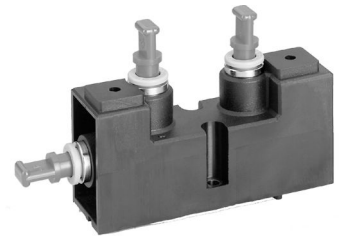
Compressed air connection input	Compressed air connection, exhaust	Compressed air connection pilot air	Compressed air connection pilot air exhaust	Part No.
G 3/8	G 3/8	G 1/8	G 1/8	1825504031

Dimensions



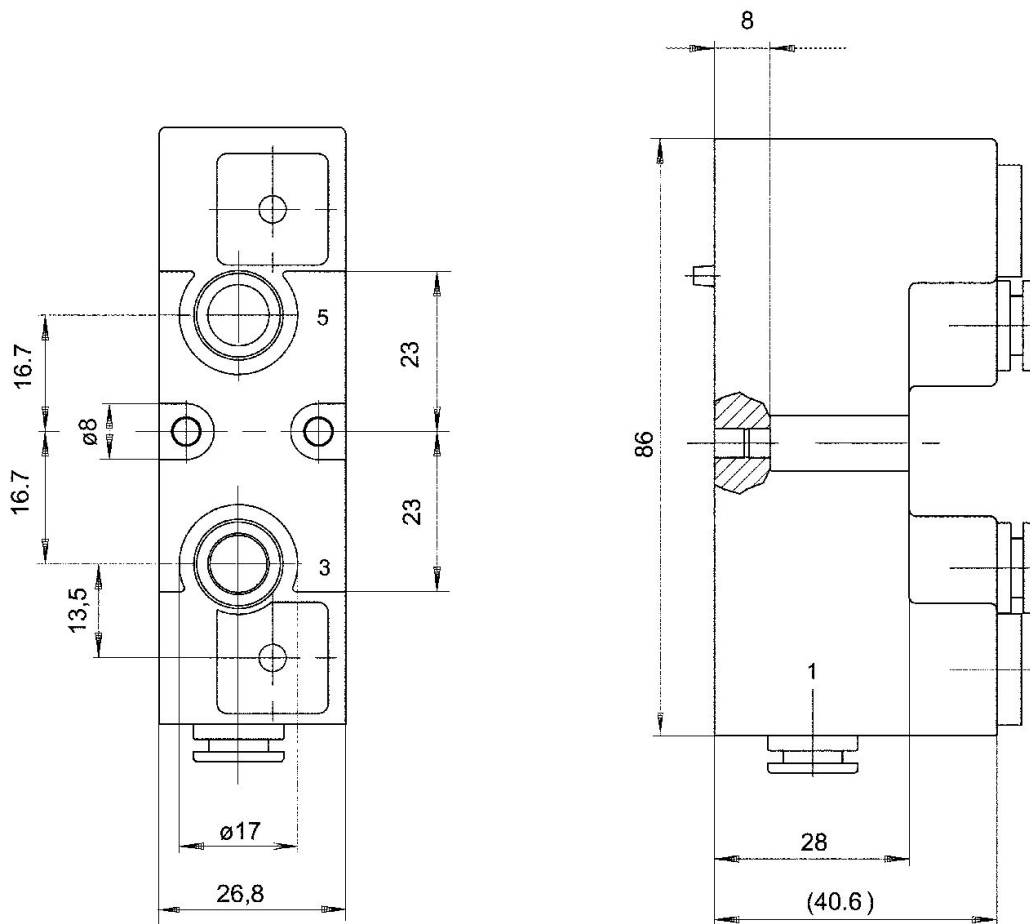
n	a	x ±0,3
2	108	94
3	135	121
4	162	148
...
...
n	= 27*(2+n)	= 40+27*n

Supply module

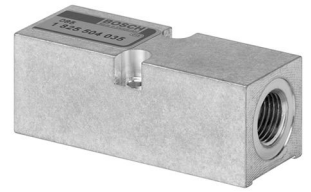


Compressed air connection input	Compressed air connection, exhaust	Max. number of valve positions	Part No.
Ø 8x1	Ø 8x1	1	8985121472

Dimensions

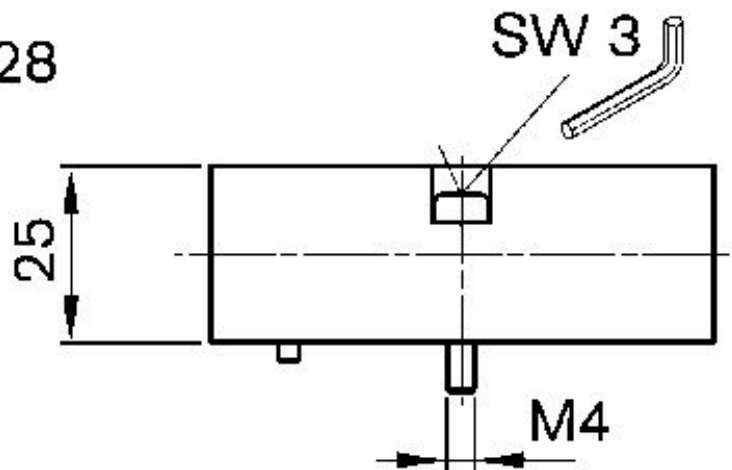
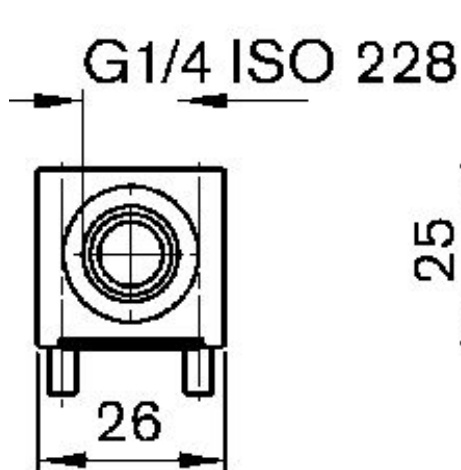
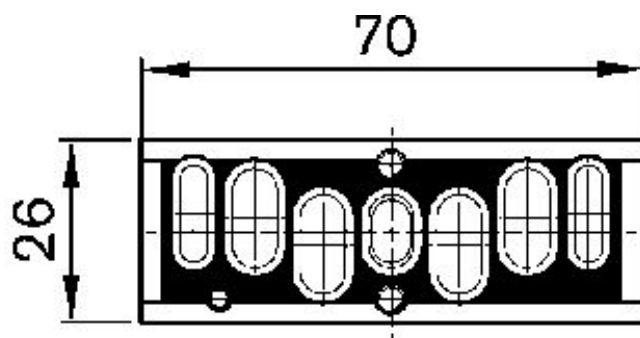


Supply plate, stacked vertically



Compressed air connection input	Max. number of valve positions	Part No.
G 1/4	1	1825504035

Dimensions

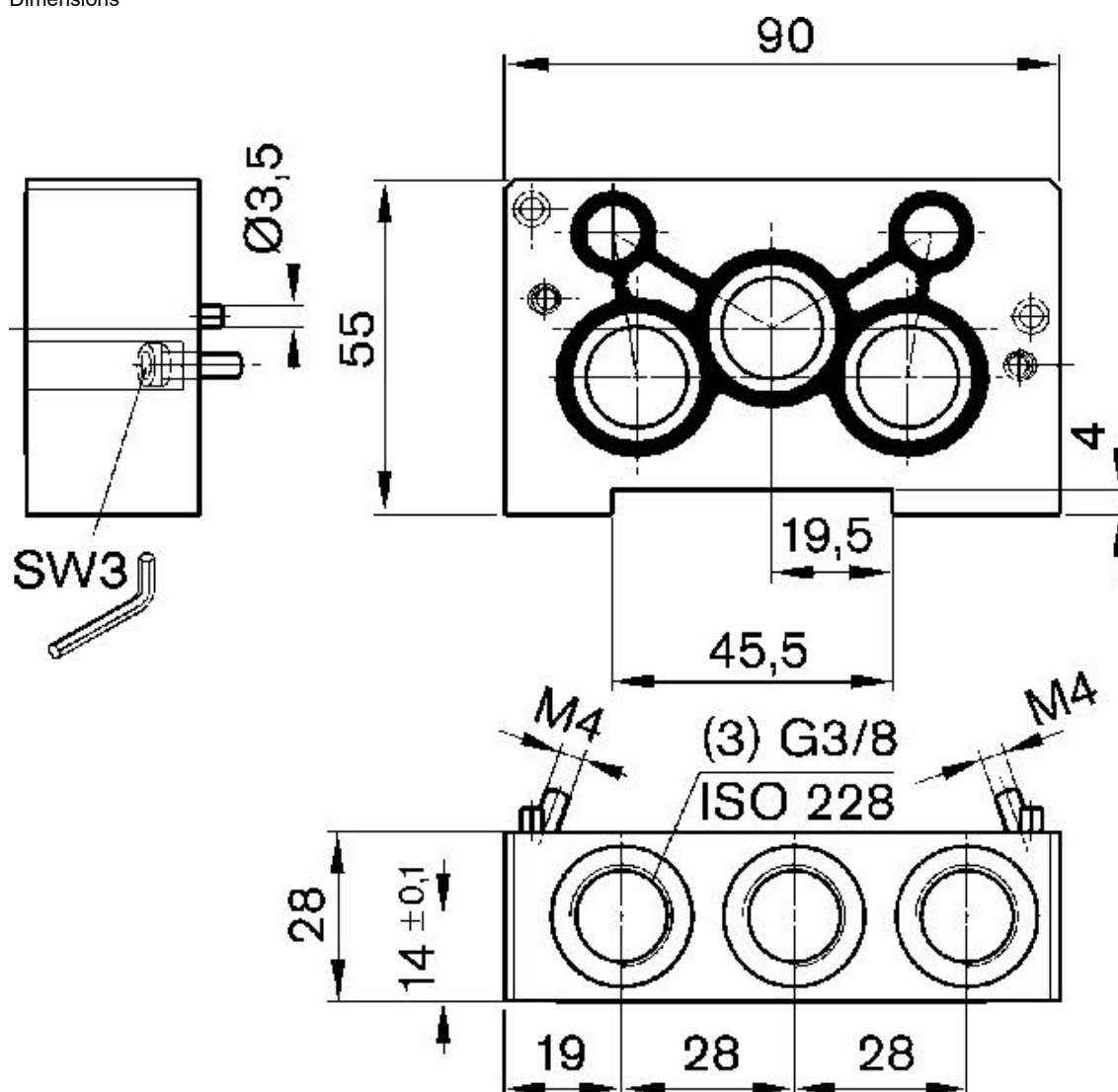


Supply plate, stacked longitudinally

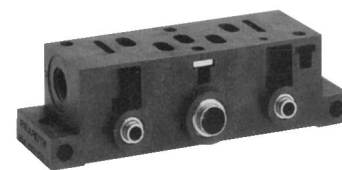


Compressed air connection input	Compressed air connection, exhaust	Part No.
G 3/8	G 3/8	1825504034

Dimensions

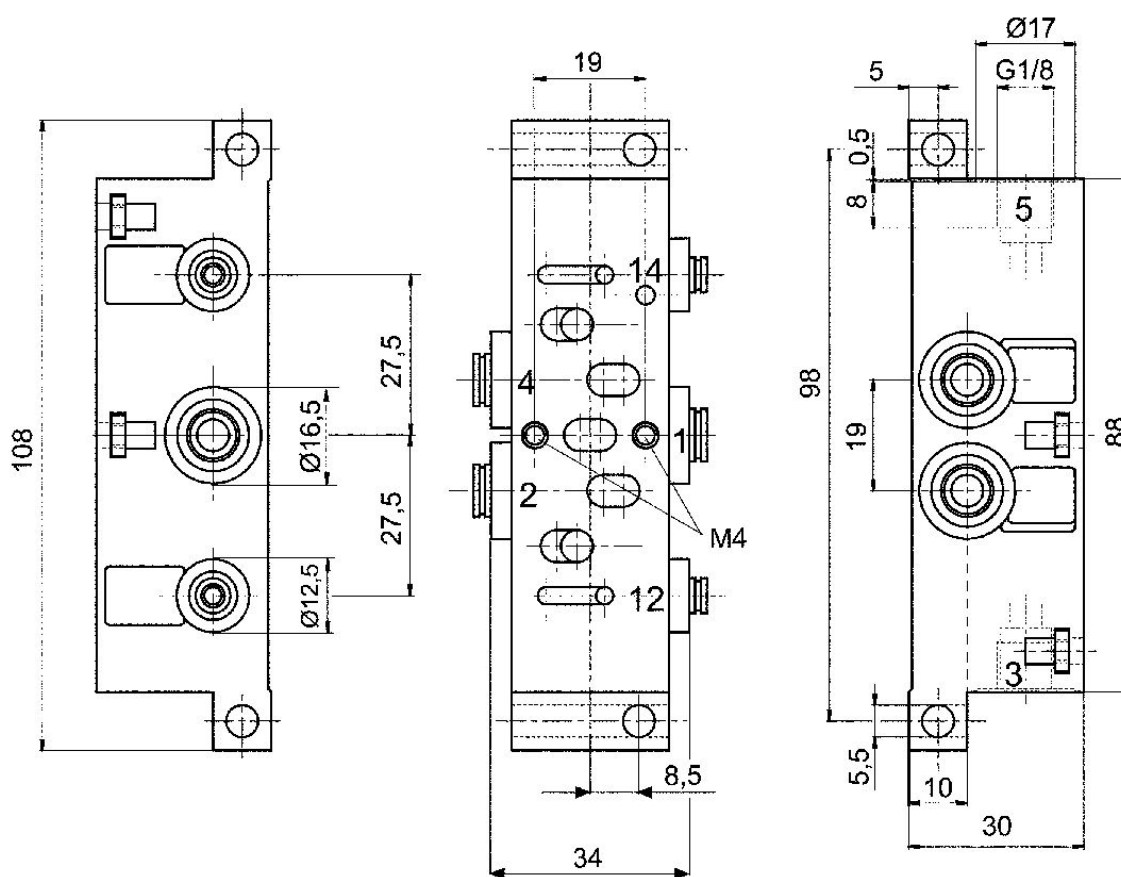


Single subbase, ports on side

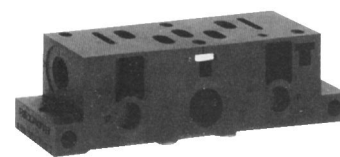


Compressed air connection input	Compressed air connection, exhaust	Compressed air connection output	Compressed air connection pilot air	Compressed air connection pilot air exhaust	Connection direction	Max. number of valve positions	Part No.
Ø 6x1	G 1/8	Ø 6x1	Ø 4	Ø 4	On the side	1	8985121372
Ø 8x1	G 1/8	Ø 8x1	Ø 4	Ø 4	On the side	1	8985121382

Dimensions

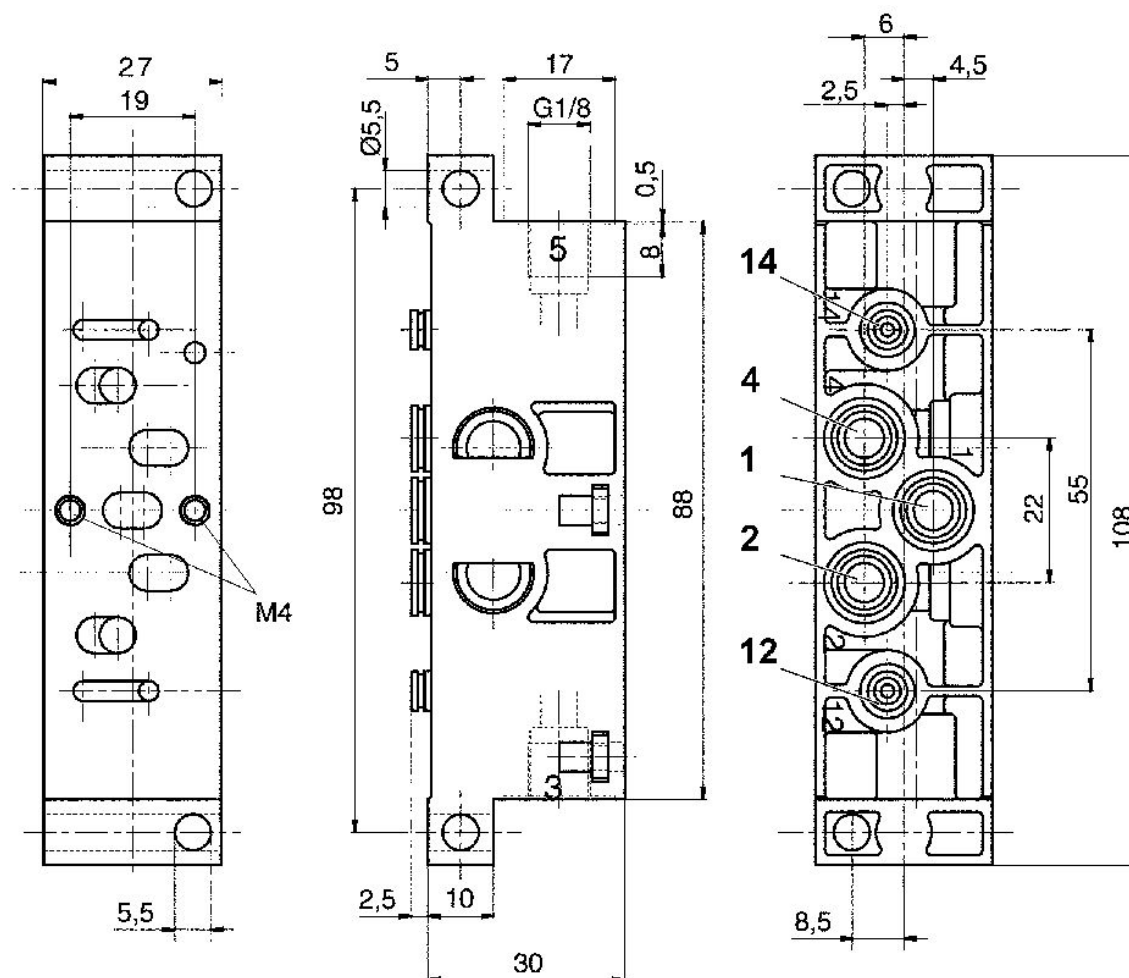


Single subbase, ports on bottom



Compressed air connection input	Compressed air connection, exhaust	Compressed air connection output	Compressed air connection pilot air	Compressed air connection pilot air exhaust	Connection direction	Max. number of valve positions	Part No.
Ø 8x1	G 1/8	Ø 8x1	Ø 4	Ø 4	Down	1	8985121392

Dimensions



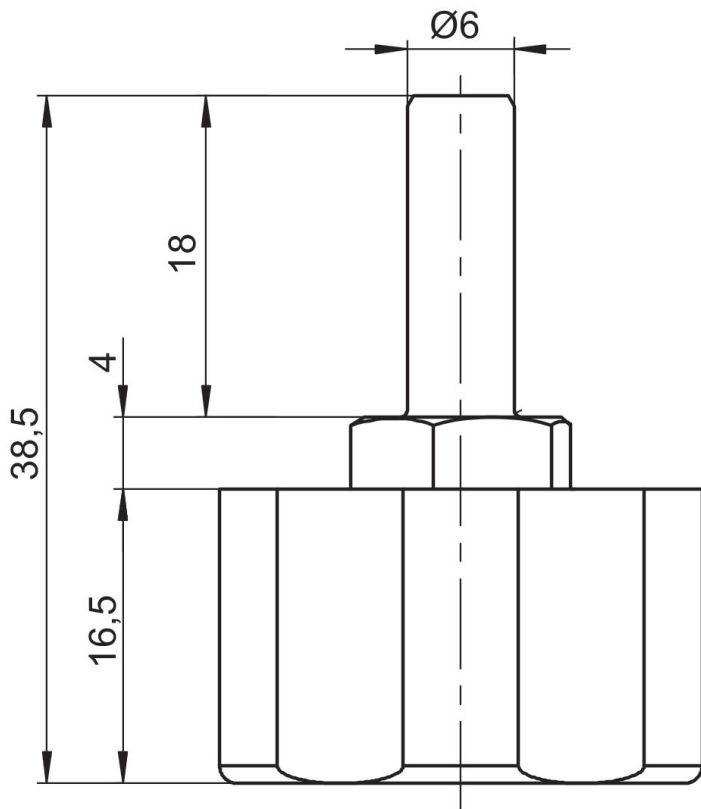
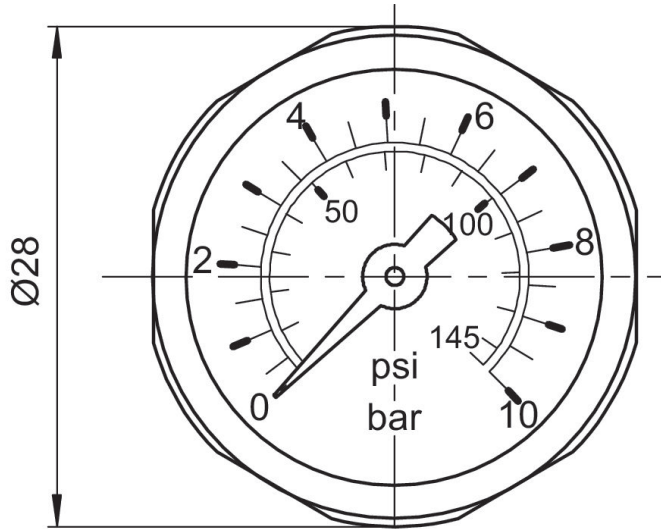
Pressure gauge

Ambient temperature min./max.: -15 °C ... 80 °C
Working pressure min./max.: 0 bar ... 10 bar



	Type	Nominal diameter [mm]	Port	Min. main scale range of application [bar]	Max. main scale range of application [bar]	Min. main scale display range [bar]	Max. main scale display range [bar]	Part No.
	Bourdon tube pressure gauge	28	Ø 6	0	4	0	4	R412003960
	Bourdon tube pressure gauge	28	Ø 6	0	10	0	10	3530200300
	Bourdon tube pressure gauge	28	Ø 6	0	10	0	10	R412004883

Dimensions in mm

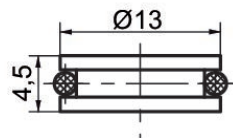


Separator for connections 1, 3, 5



Type	Type	Weight [kg]	Material	Part No.
Separator for connections 1, 3, 5	26 mm	0.003	Aluminum	R412015167

Dimensions



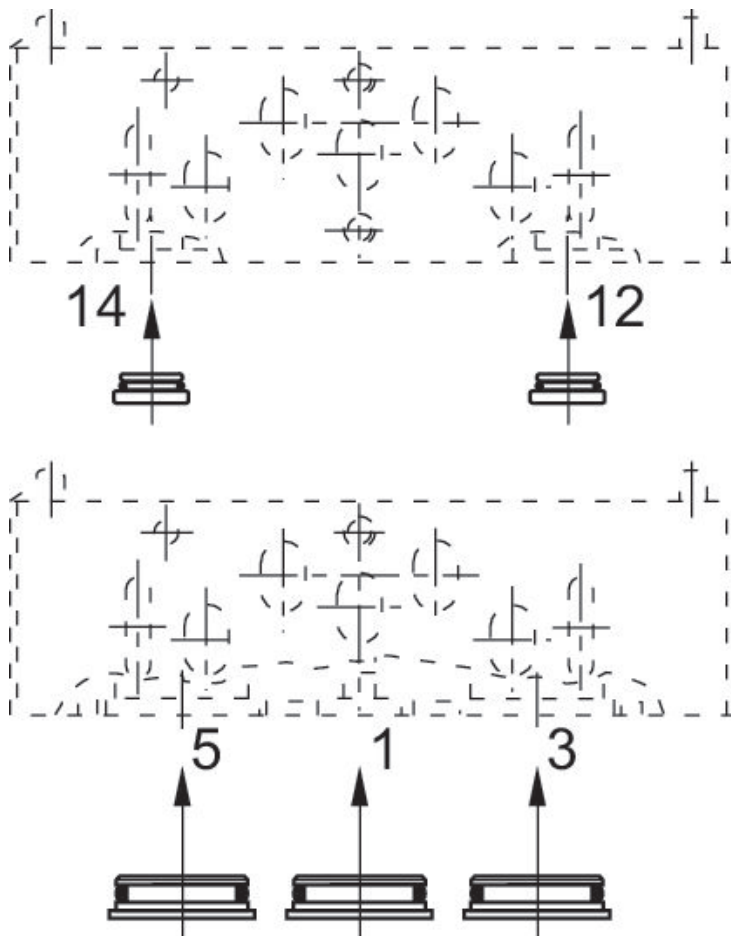
Separator

Ambient temperature min./max.: -15 °C ... 50 °C
Working pressure min./max.: -0.95 bar ... 16 bar

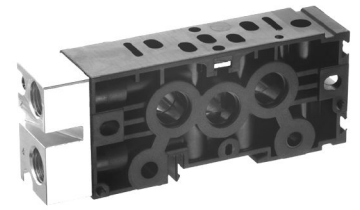


Type	Type	Weight [kg]	Material	Part No.
Separator for connections 1, 3, 5	26 mm	0.004	Aluminum	1820220039
For connections 12 and 14	26 mm	0.002	Aluminum	1820220040

Dimensions

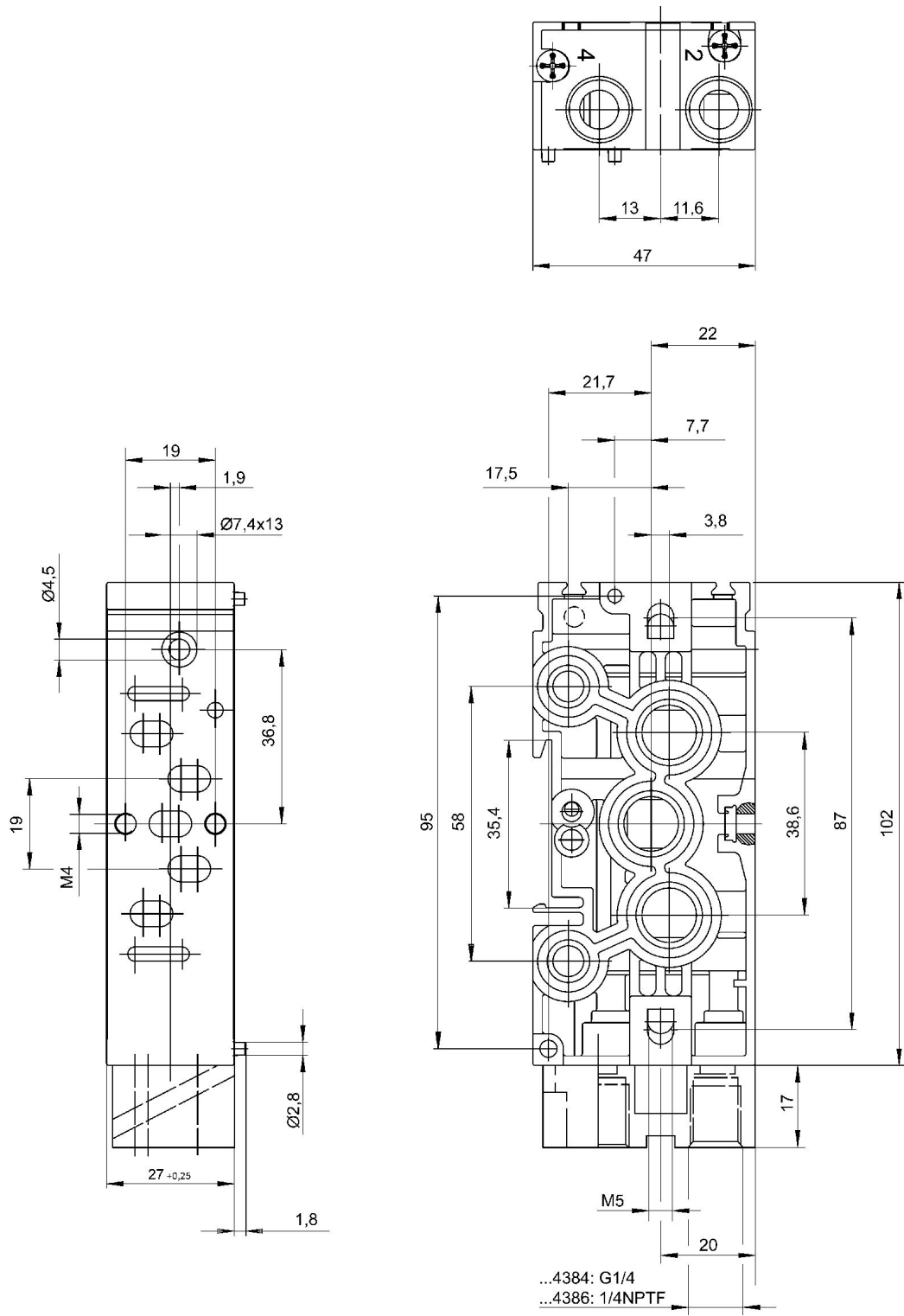


Base plate, ports 2 and 4 on side

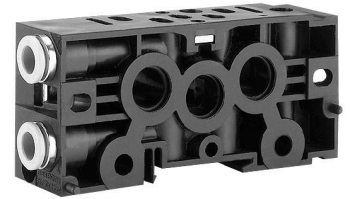


Compressed air connection output	Connection direction	Max. number of valve positions	Part No.
G 1/4	On the side	1	R412004384
1/4 - 18 NPTF	On the side	1	R412004386

Dimensions

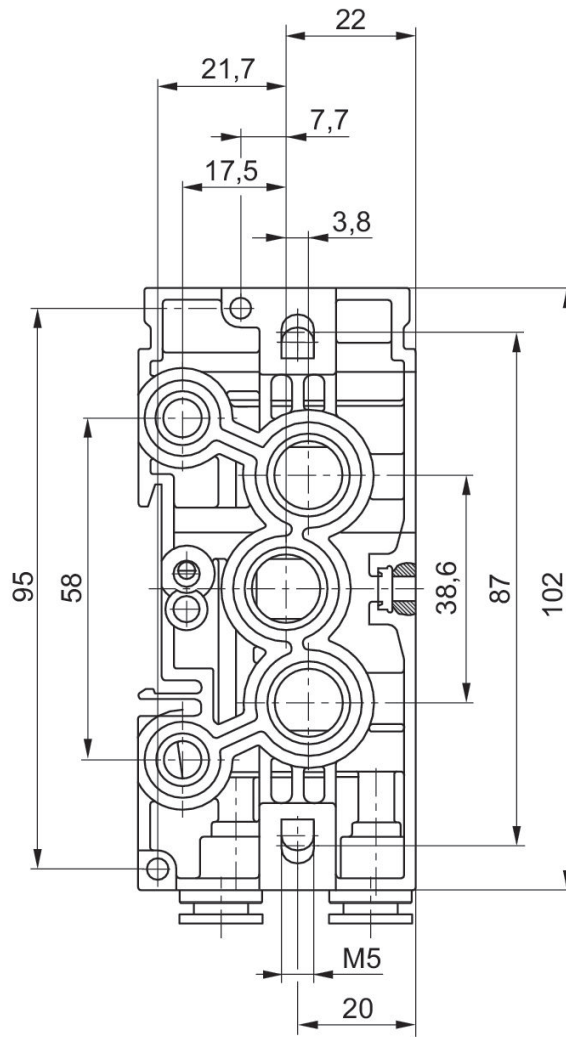
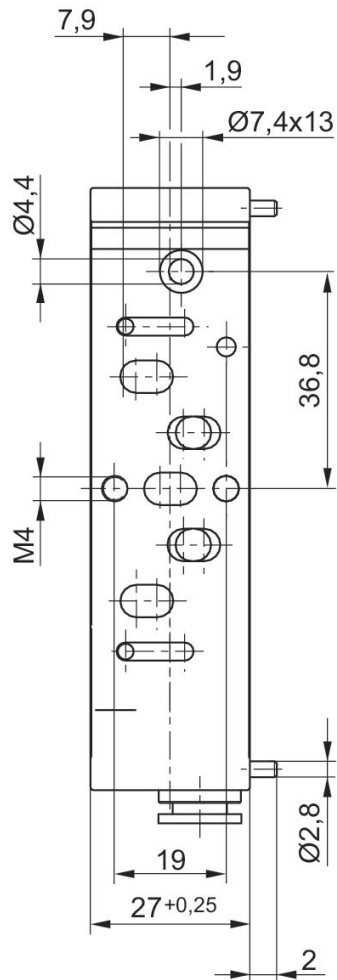
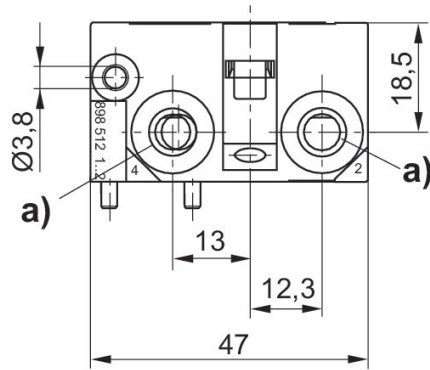


Base plate, ports 2 and 4 on side



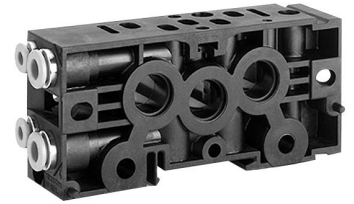
Compressed air connection output	Connection direction	Max. number of valve positions	Part No.
Ø 4	On the side	1	8985121162
Ø 6x1	On the side	1	8985121122
Ø 8x1	On the side	1	8985121052
G 1/8	On the side	1	8985121092

Dimensions



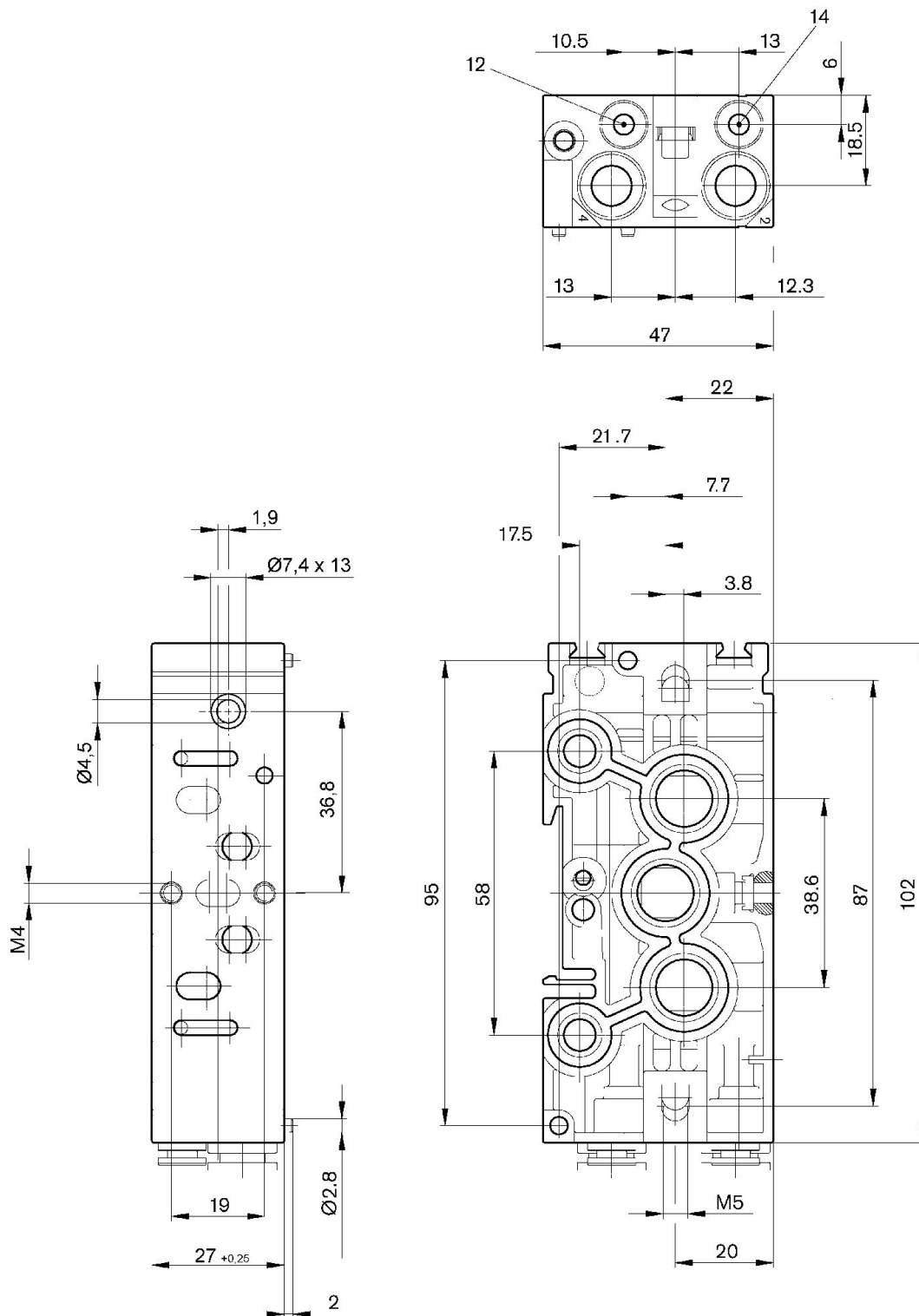
a) push-in fitting or thread connection

Base plate, Ports 2 and 4, 12 and 14 on side



Compressed air connection output	Compressed air connection pilot air	Connection direction	Max. number of valve positions	Part No.
Ø 8x1	Ø 4	On the side	1	8985121022

Dimensions

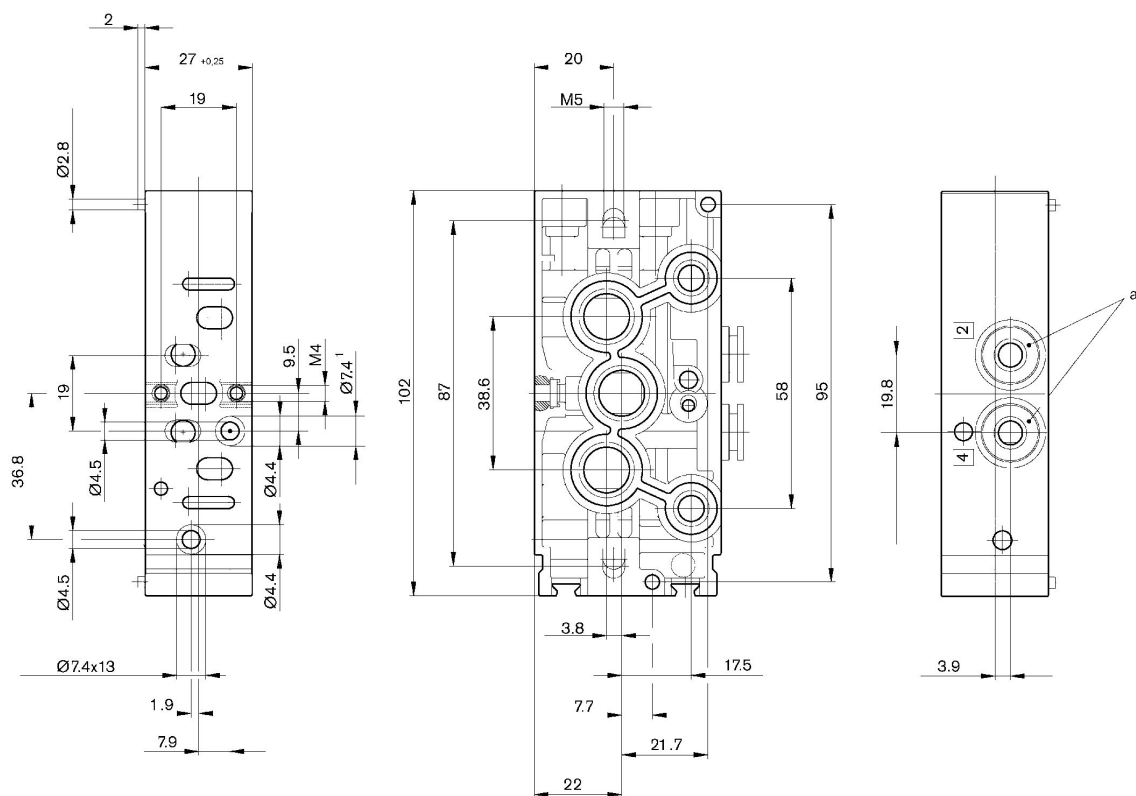


Base plate, ports 2 and 4 on bottom



Compressed air connection output	Connection direction	Max. number of valve positions	Part No.
Ø 6x1	Down	1	8985121102
Ø 8x1	Down	1	8985121032
G 1/8	Down	1	8985121072

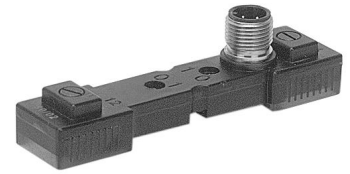
Dimensions



a) push-in fitting or thread connection

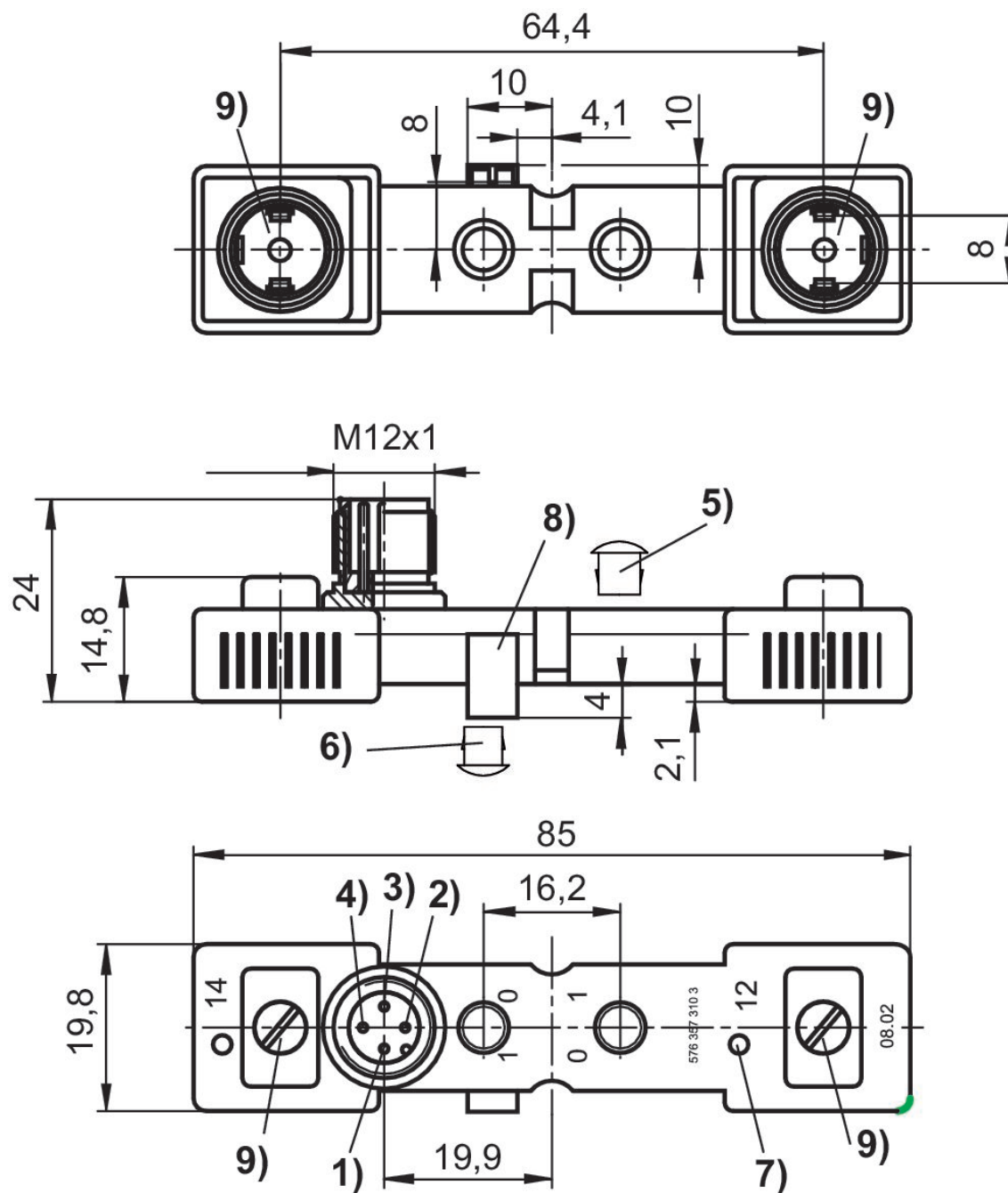
Contact bridges, series CON-CB

Ambient temperature min./max.: -15 °C ... 50 °C



Operational voltage	Max. current [A]	Contact assignment	LED status display	Part No.
24 V AC	4	4-pin	Yellow	5763573103

Dimensions



- 1) not assigned 2) solenoid 12 3) 0 V 4) solenoid 14
- 5) Sealing cap for manual override not removable
- 6) Removable
- 7) LED valve
- 8) positioning pin 9) captive seal and screw

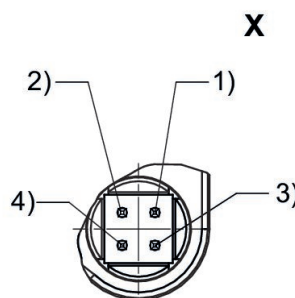
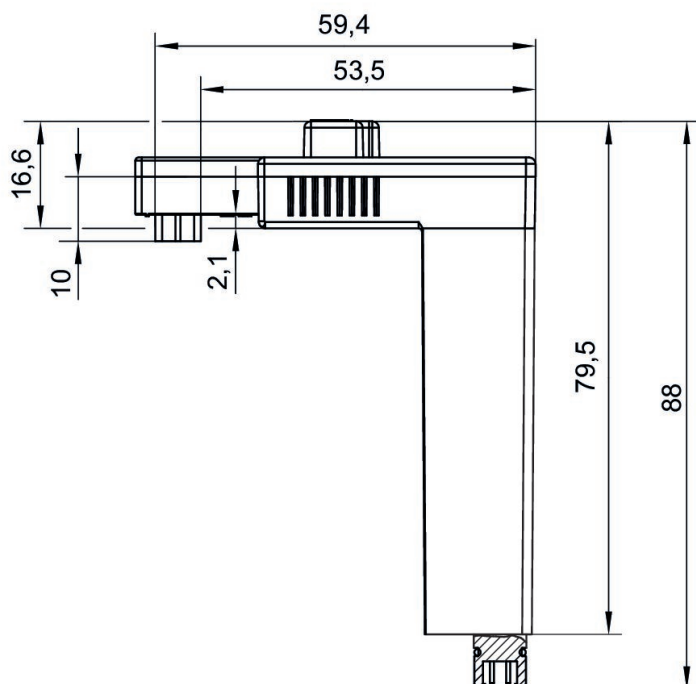
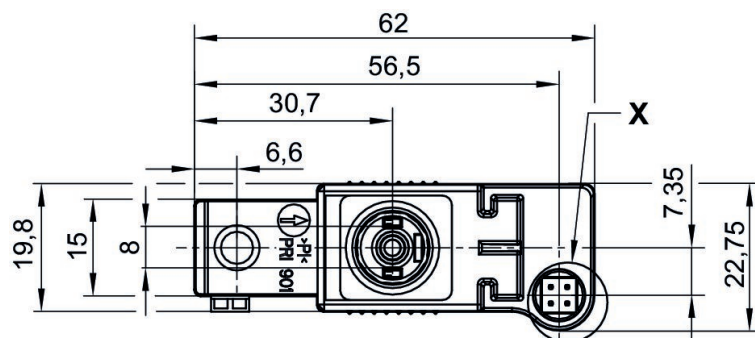
Contact bridges, series CON-CB

Ambient temperature min./max.: -15 °C ... 50 °C



Operational voltage	Protective circuit	Max. current [A]	Contact assignment	LED status display	Part No.
24 V DC	43 V bi-directional	0.5	4-pin	Yellow	R412005847

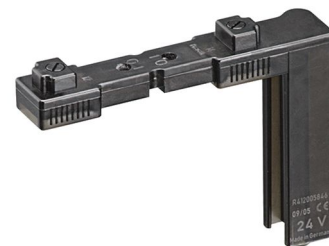
Dimensions



Pin assignment: Pin 1: solenoid 14 Pin 2: solenoid 12 Pin 3: ground Pin 4: 0 V

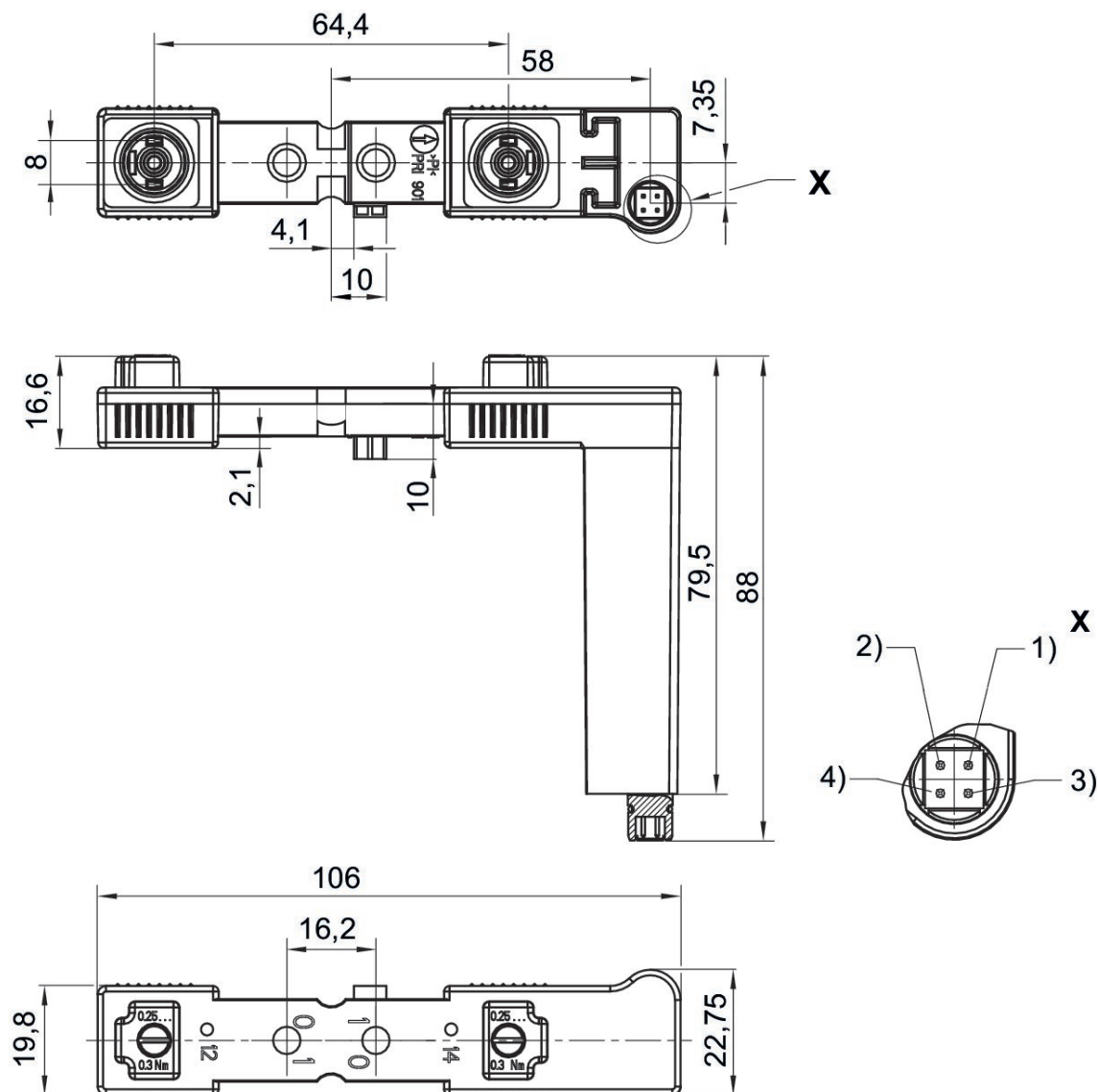
Contact bridges, series CON-CB

Ambient temperature min./max.: -15 °C ... 50 °C



Operational voltage	Max. current [A]	Contact assignment	LED status display	Part No.
24 V DC	0.5	4-pin	Yellow	R412005846

Dimensions



Pin assignment: Pin 1: solenoid 14 Pin 2: solenoid 12 Pin 3: ground Pin 4: 0 V

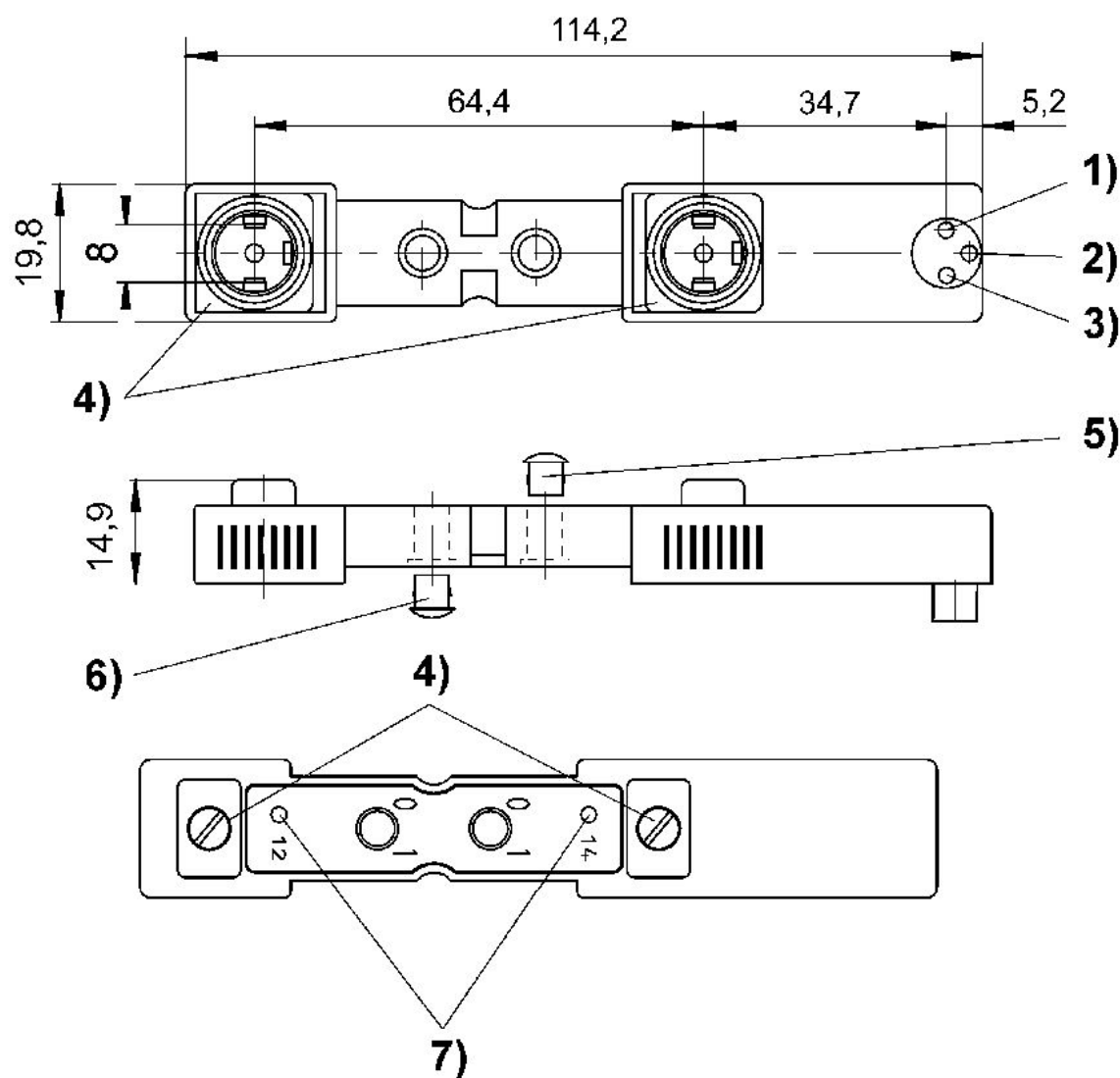
Contact bridges, series CON-CB

Ambient temperature min./max.: -25 °C ... 75 °C



Operational voltage	Max. current [A]	Contact assignment	LED status display	Part No.
24 V DC	0.5	3-pin	Yellow	5763503193

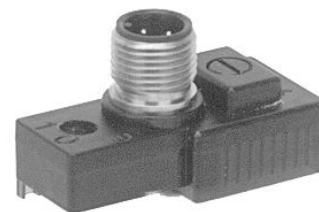
Dimensions



1) solenoid 14##2) solenoid 12##3) 0 V## 4) captive seal and screw##5) sealing cap for manual override not removable##6) removable##7) LED valve

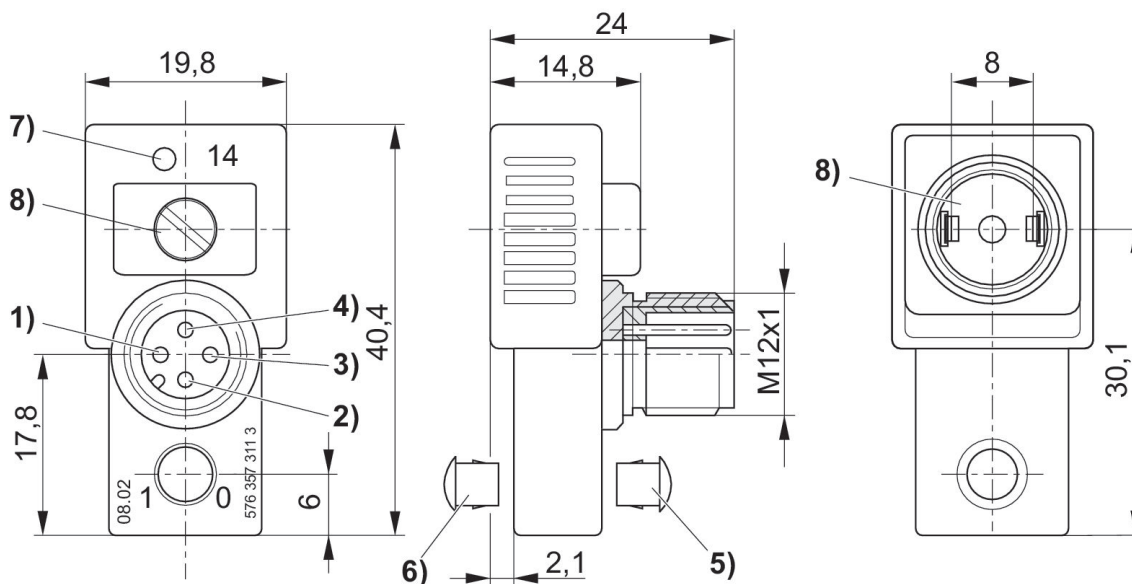
Contact bridges, series CON-CB

Ambient temperature min./max.: -15 °C ... 50 °C



Operational voltage	Max. current [A]	Contact assignment	LED status display	Part No.
24 V AC	4	4-pin	Yellow	5763573113

Dimensions



- 1) not assigned 2) not assigned 3) 0 V 4) magnet 14
- 5) Sealing cap for manual override not removable
- 6) Removable
- 7) LED valve
- 8) captive seal and screw

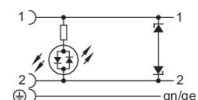
Valve plug connector with cable series CON-VP, Form B, 0° female insert

Electrical connection 1: Socket ... Form B ... 2+E ... angled 90°

Electrical connection 2: open cable ends ... 3-pin

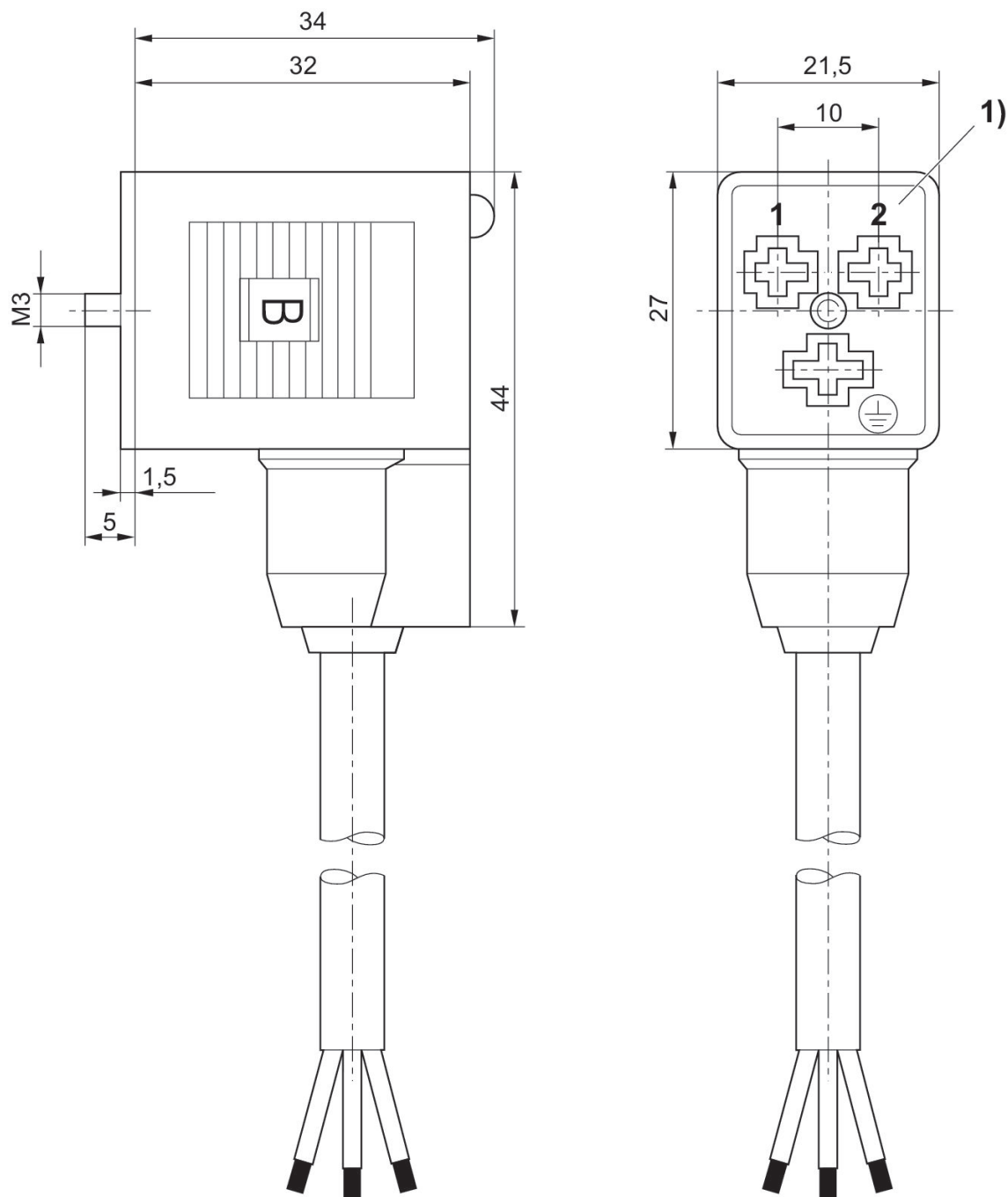
Protective circuit: Z-diode

Ambient temperature min./max.: -20 °C ... 80 °C



Operational voltage	Protective circuit	Max. current [A]	Contact assignment	LED status display	Cable-Ø [mm]	Cable length [m]	Part No.
24 V AC/DC	Z-diode	10	2+E	Yellow	5.9	3	1834484152
24 V AC/DC	Z-diode	10	2+E	Yellow	5.9	5	1834484154

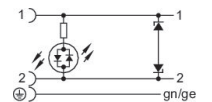
Dimensions



1) 0° female insert

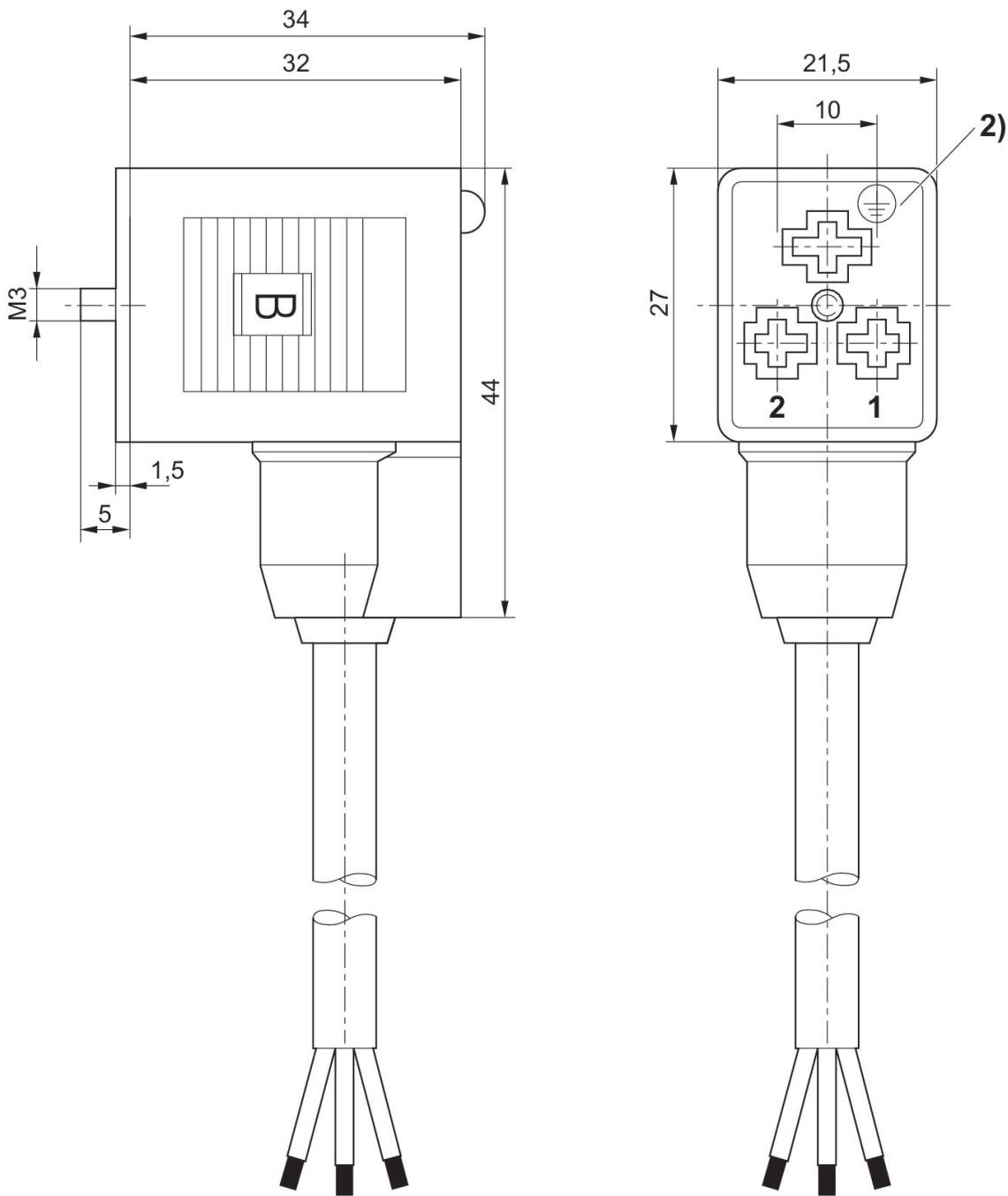
Valve plug connector with cable series CON-VP,, 180° female insert

Electrical connection 1: Socket ... Form B ... 2+E ... angled 90°
 Electrical connection 2: open cable ends ... 3-pin
 Protective circuit: Z-diode
 Ambient temperature min./max.: -20 °C ... 80 °C



Operational voltage	Protective circuit	Max. current [A]	Contact assignment	LED status display	Cable-Ø [mm]	Cable length [m]	Part No.
24 V AC/DC	Z-diode	10	2+E	Yellow	5.9	3	1834484153
24 V AC/DC	Z-diode	10	2+E	Yellow	5.9	5	1834484155

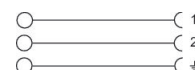
Dimensions



2) 180° female insert

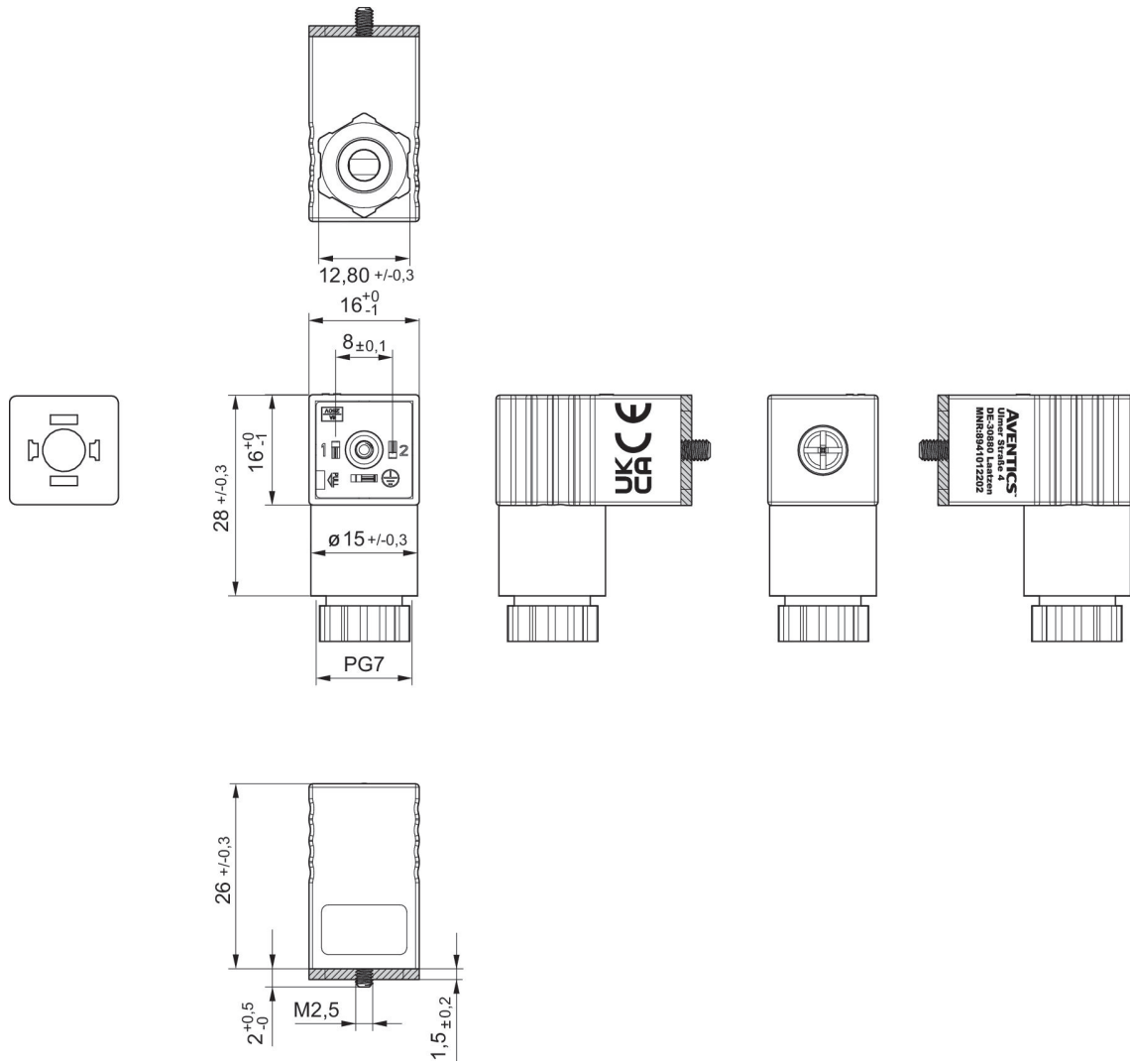
Valve plug connector, series CON-VP, form C, 300 V DC / 250 V AC

Electrical connection 1: EN 175301-803, form C
Ambient temperature min./max.: -40 °C ... 90 °C



	Operational voltage	Protective circuit	Max. current [A]	Contact assignment	LED status display	min. suitable cable Ø [mm]	max. suitable cable Ø [mm]	Part No.
	300 V DC / 250 V AC		6	2+E		4	6	8941012202
	24 V AC/DC	Varistor	1.5	2+E	Green	4	6	4402050330

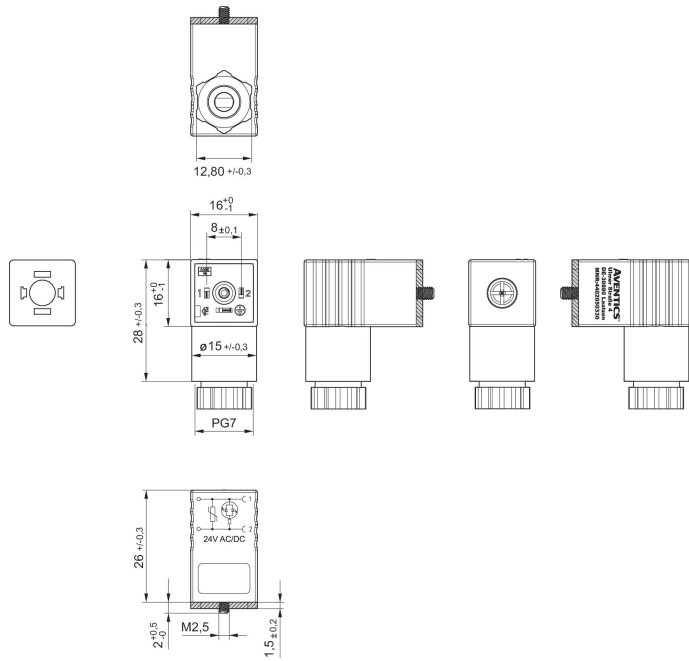
Dimensions



Profile seal

4402050330

Dimensions







Profile seal

Efficient pneumatic solutions, our program:
cylinders and drives, valves and valve systems,
air supply management, proportional pressure
control valves



Visit us: www.Emerson.com/aventics
Your local contact: Emerson.com/contactus

-  Emerson.com
-  Facebook.com/EmersonAutomationSolutions
-  LinkedIn.com/company/Emerson-Automation-Solutions
-  Twitter.com/EMR_Automation



The Emerson logo is a trademark and service mark of Emerson Electric Co. AVENTICS is a registered trademark of one of the Emerson family of companies. All other trademarks are the property of their respective owners. © 2020 Emerson Electric Co. All rights reserved.



CONSIDER IT SOLVED™