

Blanking screws and connectors



AVENTICS™

**AVENTICS Blanking screws and
connectors**


EMERSON™

AVENTICS Blanking screws and connectors



Product overview

	Page
Fittings	
Adapter.....	4
Reducing nipple.....	5
Reducing nipple M7 - M5.....	7
Double nipple.....	8
Double nipple, Lock nut.....	10
Double nipple, detachable, tapered.....	12
Double nipple, Stainless Steel.....	13
Straight fitting.....	14
Orifice plugs.....	15
Bulkhead connector, through internal thread.....	16
Sleeve.....	17
Crosspiece, tapered.....	19
Elbow fitting.....	20
Elbow fitting 2x.....	21
T-union.....	22
T-union, conical.....	23
Elbow fitting, Internal thread.....	24
Elbow fitting, conical.....	26
Elbow fitting, conical.....	27
Filler neck.....	28
Enables use of bellow actuators for vibration isolation	
Blanking screws	
Blanking screw with O-ring, Series FPT.....	29
Blanking screw with O-ring, Series FPT.....	30
Blanking screw with O-ring, Series FPT, hexagon socket.....	31
Blanking screw, gasket.....	32
Blanking screw, gasket, M5.....	33
Blanking screw, Brass.....	34
Blanking screw M8.....	35
for series CCL	
Blanking screw.....	36
for series CCL	

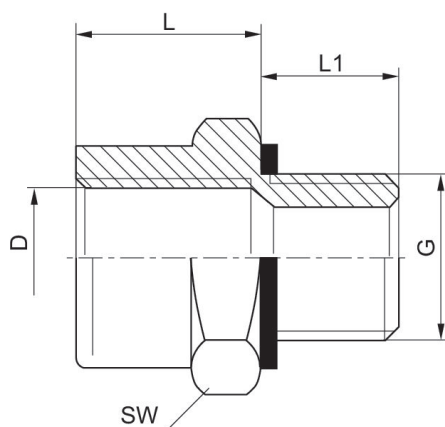
Adapter

Compressed air connection type: External thread
 Compressed air connection type 2: Internal thread
 Ambient temperature min./max.: -20 °C ... 80 °C
 Working pressure min./max.: 0 bar ... 16 bar



G	Ø D	Delivery unit [piece]	Part No.
M5	G 1/8	10	8633051800
G 1/8	G 1/4	10	2122918140
G 1/4	G 3/8	10	2122914380
G 1/4	G 1/2	10	8633141200
G 3/8	G 1/2	10	2122938120

Dimensions



Part No.	Port D	Port G	L	L1	SW
8633051800	G 1/8	M5	14	4	14
2122918140	G 1/4	G 1/8	13,5	6	17
2122914380	G 3/8	G 1/4	14,5	8	22
8633141200	G 1/2	G 1/4	18	8	24
2122938120	G 1/2	G 3/8	27	9	26

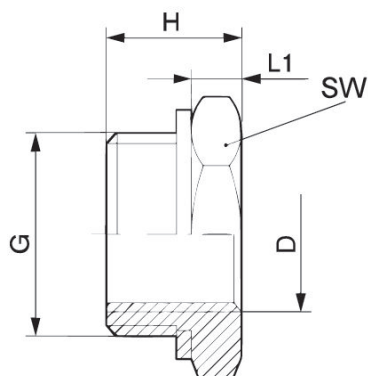
Reducing nipple

Compressed air connection type: External thread
 Compressed air connection type 2: Internal thread
 Ambient temperature min./max.: -20 °C ... 80 °C
 Working pressure min./max.: 0 bar ... 16 bar



G	Ø D	Delivery unit [piece]	Part No.
G 1/8	M5	10	1823391080
G 1/4	G 1/8	10	1823391012
G 3/8	G 1/8	10	1823391298
G 3/8	G 1/4	10	1823391013
G 1/2	G 1/8	5	1823391299
G 1/2	G 1/4	5	1823391300
G 1/2	G 3/8	5	1823391014
G 3/4	G 1/4	5	1823391301
G 3/4	G 3/8	5	1823391302
G 3/4	G 1/2	5	1823391028
G 1	G 3/8	2	1823391303
G 1	G 1/2	2	1823391304
G 1	G 3/4	2	1823391285

Dimensions



Part No.	Port D	Port G	H	L1	SW
1823391080	M5	G 1/8	10.5	4.5	14
1823391012	G 1/8	G 1/4	13	4	17
1823391298	G 1/8	G 3/8	14	5	19
1823391013	G 1/4	G 3/8	15	5	19
1823391299	G 1/8	G 1/2	15.5	5.5	24
1823391300	G 1/4	G 1/2	15.5	5.5	24
1823391014	G 3/8	G 1/2	15.5	5.5	24
1823391301	G 1/4	G 3/4	19	7	32
1823391302	G 3/8	G 3/4	19	7	32
1823391028	G 1/2	G 3/4	19	7	32
1823391303	G 3/8	G 1	23	8	41
1823391304	G 1/2	G 1	23	8	41
1823391285	G 3/4	G 1	23	8	41

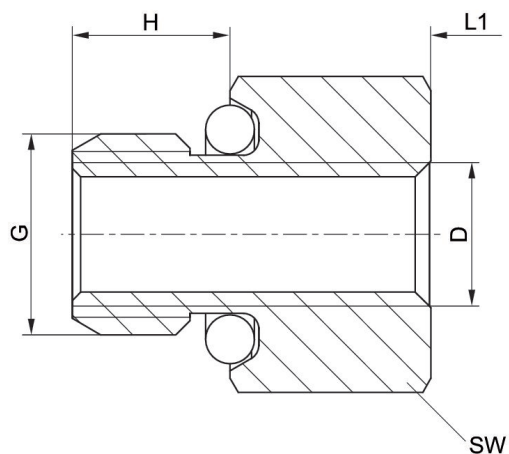
Reducing nipple M7 - M5

Compressed air connection type: External thread
 Compressed air connection type 2: Internal thread
 Ambient temperature min./max.: -20 °C ... 80 °C
 Working pressure min./max.: 0 bar ... 16 bar



G	Ø D	Delivery unit [piece]	Part No.
M7	M5	10	2122807050

Dimensions



Part No.	Port D	Port G	H	L1	SW
2122807050	M5	M7	5.5	7	10

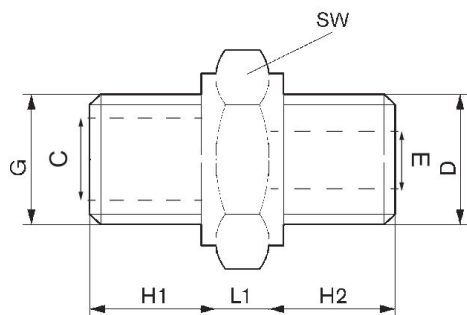
Double nipple

Compressed air connection type: External thread
 Compressed air connection type 2: External thread
 Ambient temperature min./max.: -20 °C ... 80 °C
 Working pressure min./max.: 0 bar ... 16 bar



G	Ø D	Delivery unit [piece]	Part No.
M5	M5	10	1823391081
G 1/8	M5	10	1823391100
G 1/8	G 1/8	10	1823391015
G 1/4	G 1/8	10	1823391016
G 1/4	G 1/4	10	1823391017
G 3/8	G 1/4	10	1823391018
G 3/8	G 3/8	10	1823391019
G 1/2	G 3/8	5	1823391020
G 1/2	G 1/2	5	1823391029
G 3/4	G 1/2	2	1823391286
G 3/4	G 3/4	2	1823391287
G 1	G 3/4	2	1823391288
G 1	G 1	2	1823391289

Dimensions



Part No.	Port D	Port G	ØC	ØE	H1	H2	L1	SW
1823391081	M5	M5	-	2	4.5	4.5	4	8
1823391100	M5	G 1/8	-	-	7	5	5	13
1823391015	G 1/8	G 1/8	8	5	7.5	7.5	4	14
1823391016	G 1/8	G 1/4	8	5	10	7	5	17
1823391017	G 1/4	G 1/4	8	7.5	10	10	5	17
1823391018	G 1/4	G 3/8	12	7.5	10	10	5	22
1823391019	G 3/8	G 3/8	12	10	10	10	5	22
1823391020	G 3/8	G 1/2	15	10	12	10	6	27
1823391029	G 1/2	G 1/2	15	13	12	12	6	27
1823391286	G 1/2	G 3/4	20	13	12	12	7	32
1823391287	G 3/4	G 3/4	20	18	12	12	7	32
1823391288	G 3/4	G 1	25	18	15	12	8	41
1823391289	G 1	G 1	25	22	15	15	8	41

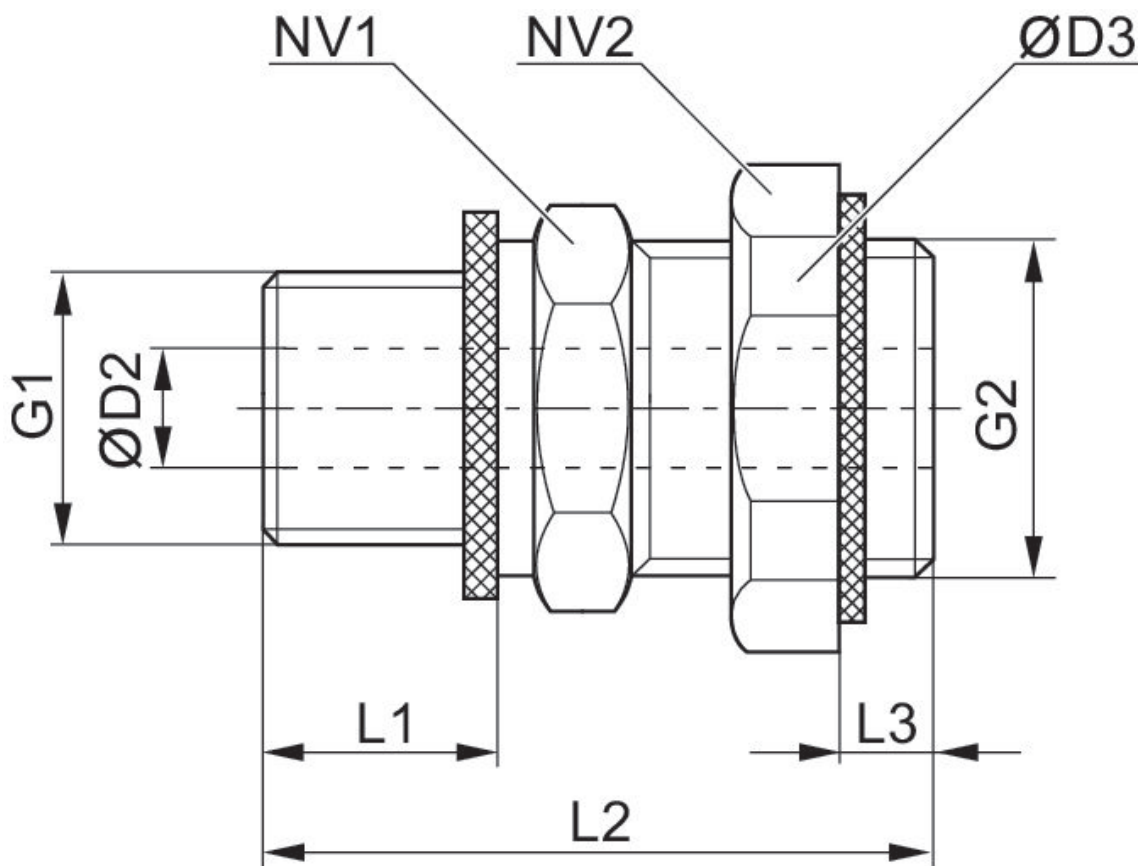
Double nipple, Lock nut

Ambient temperature min./max.: -20 °C ... 80 °C
Working pressure min./max.: 0 bar ... 16 bar



G	Ø D	Delivery unit [piece]	Part No.
G 1/4	G 1/4	10	8632141400
G 1/4	G 3/8	10	8632143800

Dimensions



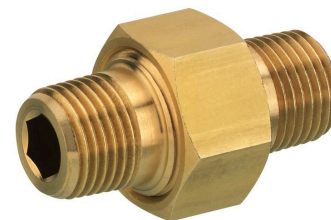
Dimensions

Part No.	G1	G2	Ø D2	Ø D3	L2	L1	L3 max.	NV1	NV2
8632141400	G 1/4	G 1/4	7	21	29	8	8	17	19
8632143800	G 1/4	G 3/8	7	24	30	8	10	17	22

Double nipple, detachable, tapered

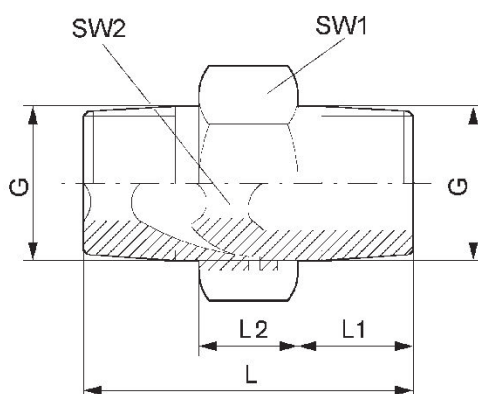
Ambient temperature min./max.: -20 °C ... 80 °C

Working pressure min./max.: 0 bar ... 16 bar



G	Delivery unit [piece]	Part No.
R 1/4	10	1823391254
R 3/8	5	1823391255
R 1/2	5	1823391256
R 3/4	2	1823391257
R 1	1	1823391258
R 1/8	10	1823391253

Dimensions



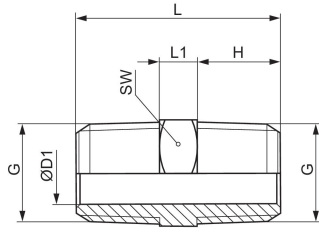
Part No.	Port G	L	L1	L2	SW1	SW2
1823391253	R 1/8	27	9.2	8.5	15	5
1823391254	R 1/4	33.5	12	9.5	19	6
1823391255	R 3/8	36.5	13	10	22	8
1823391256	R 1/2	44	16	12	27	12
1823391257	R 3/4	52.5	18	17	36	14
1823391258	R 1	63.5	22	20	46	19

Double nipple, Stainless Steel

Ambient temperature min./max.: -20 °C ... 150 °C
Working pressure min./max.: 0 bar ... 150 bar

G	Delivery unit [piece]	Part No.
R 1/4	2	R412010691
R 1/2	2	R412010692

Dimensions

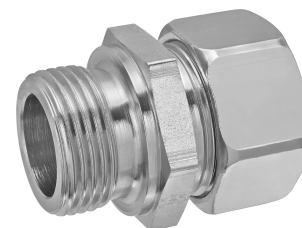


Part No.	Port G	ØD1	H	L	L1	SW
R412010691	R 1/4	8.5	11	27	5	14
R412010692	R 1/2	15	14	34	6	22

Straight fitting

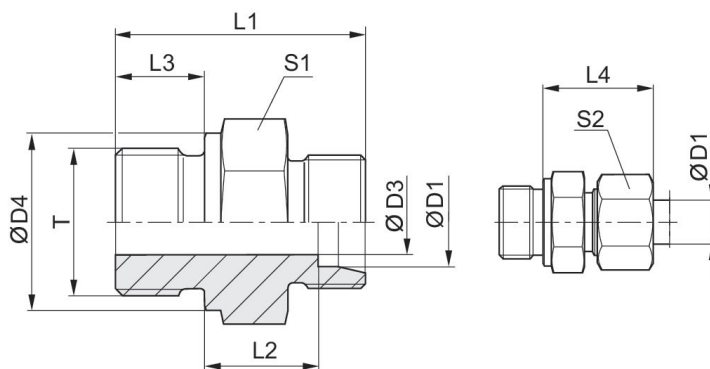
Ambient temperature min./max.: -20 °C ... 150 °C

Working pressure min./max.: 0 bar ... 10 bar



G	Part No.
G 3/4	8938028550
G 3/4	8938028560

Dimensions



Part No.	Port G	ØD1	ØD3	ØD4	L1	L2	L3	L4	S1
8938028550	G 3/4	18	15	32	38	14,5	16	30	32
8938028560	G 3/4	22	18	32	40	16,5	16	33	32

Part No.	S2	T
8938028550	32	G3/4
8938028560	36	G3/4

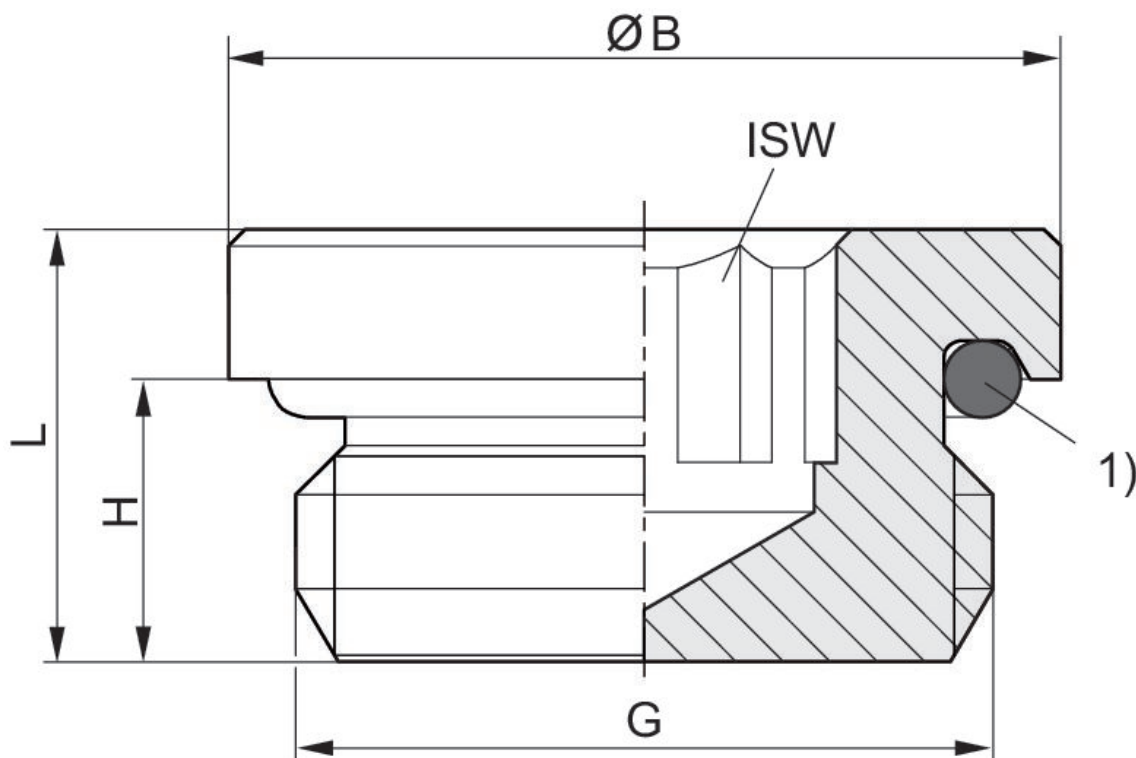
Orifice plugs

Ambient temperature min./max.: -20 °C ... 150 °C
Working pressure min./max.: 0 bar ... 120 bar



G	Part No.
G 1/8	R412026840
G 1/4	R412026841
G 3/8	R412026842
G 1/2	R412026844

Dimensions

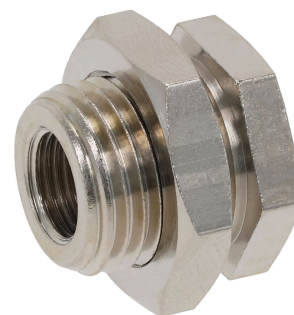


1) O-ring, FKM

Part No.	Port G	ISW [mm]	H	Ø B	L
R412026840	G 1/8	5	6	14	9,5
R412026841	G 1/4	6	8	17	11,5
R412026842	G 3/8	8	9	20	12,5
R412026844	G 1/2	10	8,5	25	13

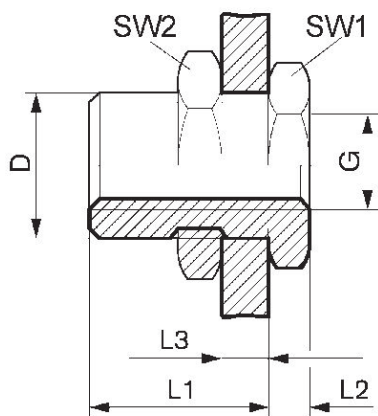
Bulkhead connector, through internal thread

Compressed air connection type: Internal thread
 Compressed air connection type 2: External thread
 Ambient temperature min./max.: -20 °C ... 80 °C
 Working pressure min./max.: 0 bar ... 16 bar



G	Delivery unit [piece]	Part No.
M5	5	1823391225
G 1/8	5	1823391226
G 1/4	5	1823391227
G 3/8	5	1823391228
G 1/2	2	1823391262
G 3/4	2	8623003400
G 1	2	R412026571
G 1	2	R415009441

Dimensions



Part No.	Port G	D	L1	L2	L3 1)	SW1	SW2
1823391225	M5	M10x1	10.5	3.5	7	14	14
1823391226	G 1/8	M16x1,5	14	4	10	19	22
1823391227	G 1/4	M20x1,5	21	4	16	24	27
1823391228	G 3/8	M26x1,5	21	5	15	30	32
1823391262	G 1/2	M28x1,5	27	6	21	32	36
8623003400	G 3/4	M34x2	30	6	24	41	41
R412026571	G 1	M42x2	34	-	-	46	50
R415009441	G 1	M42x2	42	-	-	46	50

1) Max.

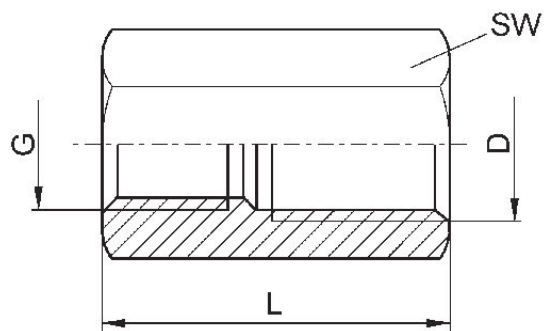
Sleeve

Compressed air connection type: Internal thread
 Compressed air connection type 2: Internal thread
 Ambient temperature min./max.: -20 °C ... 80 °C
 Working pressure min./max.: 0 bar ... 16 bar



G	Ø D	Delivery unit [piece]	Part No.
M5	M5	10	1823300012
M5	G 1/8	10	8932403214
M8	M8	10	R412010028
M10x1,25	G 1/8	10	1823373084
M10x1,25	G 1/4	10	1823373085
M12x1,25	G 1/8	10	1823373086
M12x1,25	G 1/4	10	1823373087
G 1/8	G 1/8	10	1823300000
G 1/4	G 1/4	10	1823300001
G 3/8	G 3/8	10	1823300002
G 1/2	G 1/2	5	1823300008
G 3/4	G 3/4	2	1823300035
G 1	G 1	2	1823300036

Dimensions



Part No.	Port D	Port G	L	SW
1823300012	M5	M5	10	8
8932403214	G 1/8	M5	14	14
R412010028	M8	M8	15	11
1823300000	G 1/8	G 1/8	15	13
1823300001	G 1/4	G 1/4	22	17
1823300002	G 3/8	G 3/8	22	22
1823300008	G 1/2	G 1/2	26	27
1823300035	G 3/4	G 3/4	34	32
1823300036	G 1	G 1	38	41
1823373084	G 1/8	M10x1,25	31	13
1823373085	G 1/4	M10x1,25	34	17
1823373086	G 1/8	M12x1,25	31	17
1823373087	G 1/4	M12x1,25	34	17

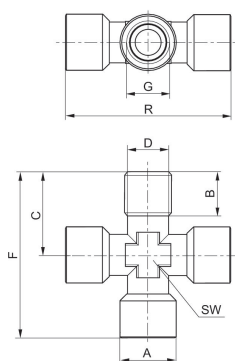
Crosspiece, tapered

Compressed air connection type: Internal thread
 Compressed air connection type 2: External thread
 Ambient temperature min./max.: -20 °C ... 80 °C
 Working pressure min./max.: 0 bar ... 16 bar



G	Ø D	Delivery unit [piece]	Part No.
G 1/8	R 1/8	10	R412010031
G 1/4	R 1/4	10	R412010032
G 3/8	R 3/8	5	R412010033
G 1/2	R 1/2	5	R412010034

Dimensions



Part No.	Port D	Port G	A	B	C	R	E	F	SW
R412010031	G 1/8	R 1/8	13	8	18.5	42	6	39.5	10
R412010032	G 1/4	R 1/4	17	11	23.5	51	8	49.5	13
R412010033	G 3/8	R 3/8	21	11.5	26	56	11	54	17
R412010034	G 1/2	R 1/2	26	14.5	31	67	15	64	21

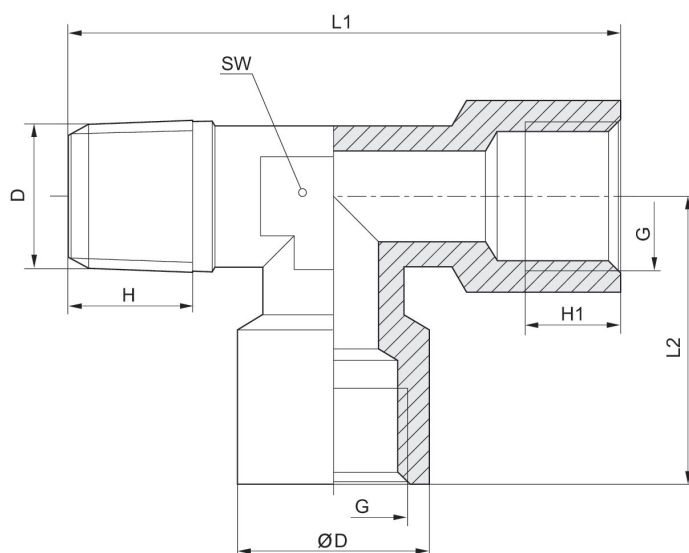
Elbow fitting

Compressed air connection type: External thread
 Compressed air connection type 2: Internal thread
 Ambient temperature min./max.: -20 °C ... 150 °C
 Working pressure min./max.: -0.95 bar ... 16 bar



G	Ø D	Part No.
G 1/4	R 1/4	R412010724
G 1/2	R 1/2	R412010725

Dimensions



Part No.	Port D	Port G	H	H1	L1	L2	Ø D	SW
R412010724	R 1/4	G 1/4	11	11	47.5	24.5	24.5	12
R412010725	R 1/2	G 1/2	14	15	61.5	32	25.5	20

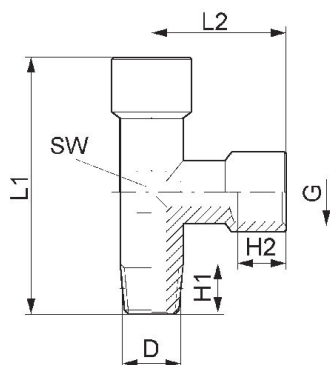
Elbow fitting 2x

Compressed air connection type: External thread
 Compressed air connection type 2: Internal thread
 Ambient temperature min./max.: -20 °C ... 80 °C
 Working pressure min./max.: 0 bar ... 16 bar



G	Ø D	Delivery unit [piece]	Part No.
G 1/8	R 1/8	10	1823391751
G 1/4	R 1/4	10	1823391752
G 3/8	R 3/8	5	1823391753
G 1/2	R 1/2	5	1823391754
G 3/4	R 3/4	2	1823391755
G 1	R 1	2	1823391756

Dimensions



Part No.	Port D	Port G	H1	H2	L1	L2	SW
1823391751	R 1/8	G 1/8	8.5	7	40	21	10
1823391752	R 1/4	G 1/4	11.5	9	49	25.5	13
1823391753	R 3/8	G 3/8	12.5	9.5	54.5	28	17
1823391754	R 1/2	G 1/2	13	13	64.5	33	21
1823391755	R 3/4	G 3/4	15	15	68.5	36.5	25
1823391756	R 1	G 1	17	17	84	45	30

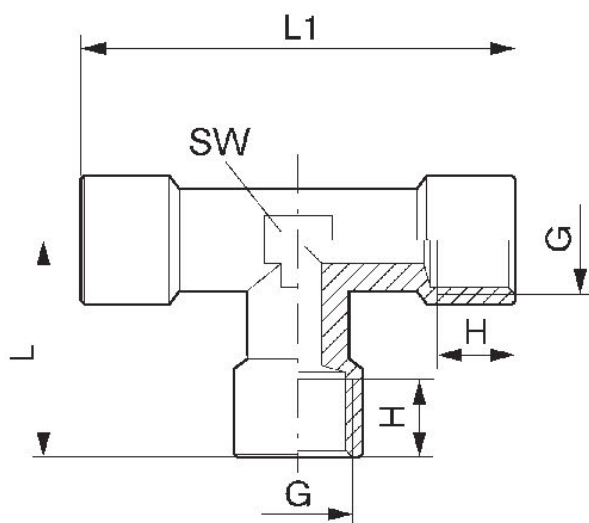
T-union

Compressed air connection type: Internal thread
 Compressed air connection type 2: Internal thread
 Ambient temperature min./max.: -20 °C ... 80 °C
 Working pressure min./max.: 0 bar ... 16 bar



G	Delivery unit [piece]	Part No.
G 1/8	10	1823391739
G 1/4	10	1823391740
G 3/8	5	1823391741
G 1/2	5	1823391742
G 3/4	2	1823391743
G 1	2	1823391744

Dimensions



Part No.	Port G	H	L	L1	SW
1823391739	G 1/8	8	21	42	10
1823391740	G 1/4	11	25.5	51	13
1823391741	G 3/8	11.5	28	56	17
1823391742	G 1/2	15	33	67	21
1823391743	G 3/4	16.5	36	73	25
1823391744	G 1	19	45	90	36

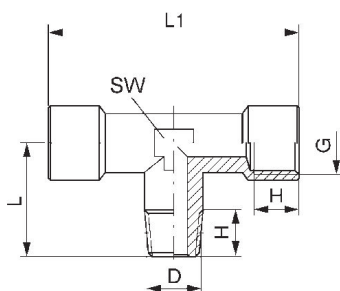
T-union, conical

Compressed air connection type: External thread
 Compressed air connection type 2: Internal thread
 Ambient temperature min./max.: -20 °C ... 80 °C
 Working pressure min./max.: 0 bar ... 16 bar



G	Ø D	Delivery unit [piece]	Part No.
G 1/8	R 1/8	10	1823391745
G 1/4	R 1/4	10	1823391746
G 3/8	R 3/8	5	1823391747
G 1/2	R 1/2	5	1823391748
G 3/4	R 3/4	2	1823391749
G 1	R 1	2	1823391750

Dimensions



Part No.	Port D	Port G	H	L	L1	SW
1823391745	R 1/8	G 1/8	8.2	19	42	10
1823391746	R 1/4	G 1/4	11	24	51	13
1823391747	R 3/8	G 3/8	11.5	26.5	56	17
1823391748	R 1/2	G 1/2	15	31.5	67	21
1823391749	R 3/4	G 3/4	16.5	32	73	25
1823391750	R 1	G 1	19	39	90	30

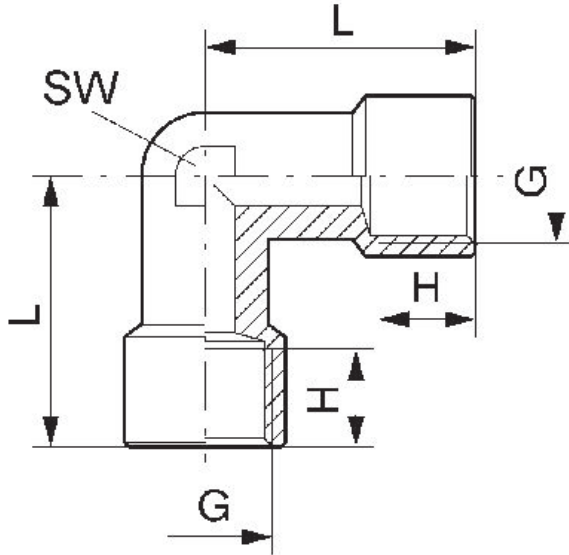
Elbow fitting, Internal thread

Compressed air connection type: Internal thread
 Compressed air connection type 2: Internal thread
 Ambient temperature min./max.: -20 °C ... 80 °C
 Working pressure min./max.: 0 bar ... 16 bar



G	Delivery unit [piece]	Part No.
G 1/8	10	1823391721
G 1/4	10	1823391722
G 3/8	5	1823391723
G 1/2	5	1823391724
G 3/4	2	1823391725
G 1	2	1823391726

Dimensions



Part No.	Port G	H	L	SW
1823391721	G 1/8	8.2	21	10
1823391722	G 1/4	11.4	25.5	13
1823391723	G 3/8	11.3	28	17
1823391724	G 1/2	15	34	21
1823391725	G 3/4	16.5	36	25
1823391726	G 1	19	45	30

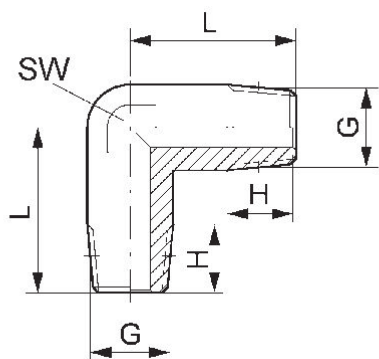
Elbow fitting, conical

Compressed air connection type: External thread
 Compressed air connection type 2: External thread
 Ambient temperature min./max.: -20 °C ... 80 °C
 Working pressure min./max.: 0 bar ... 16 bar



G	Delivery unit [piece]	Part No.
R 1/8	10	1823391733
R 1/4	10	1823391734
R 3/8	5	1823391735
R 1/2	5	1823391736
R 3/4	2	1823391737
R 1	2	1823391738

Dimensions



Part No.	Port G	H	L	SW
1823391733	R 1/8	8,0	19,0	10
1823391734	R 1/4	11,0	24,0	13
1823391735	R 3/8	11.5	26.5	17
1823391736	R 1/2	15,0	30,0	21
1823391737	R 3/4	14.5	32,0	25
1823391738	R 1	16.8	39,0	30

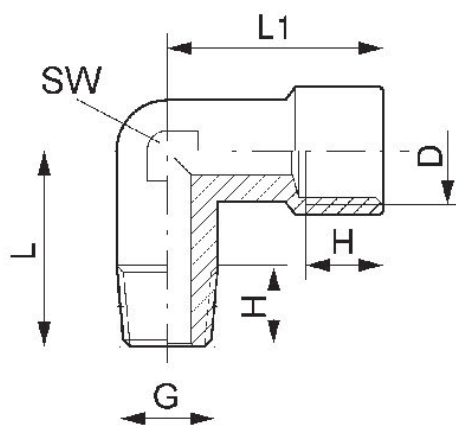
Elbow fitting, conical

Compressed air connection type: Internal thread
 Compressed air connection type 2: External thread
 Ambient temperature min./max.: -20 °C ... 80 °C
 Working pressure min./max.: 0 bar ... 16 bar



G	Ø D	Delivery unit [piece]	Part No.
R 1/8	G 1/8	10	1823391727
R 1/4	G 1/4	10	1823391728
R 3/8	G 3/8	5	1823391729
R 1/2	G 1/2	5	1823391730
R 3/4	G 3/4	2	1823391731
R 1	G 1	2	1823391732

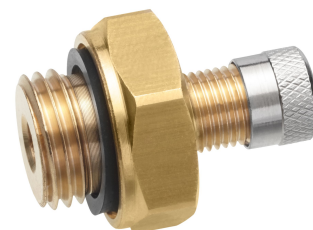
Dimensions



Part No.	Port D	Port G	H1	H2	L	L1	SW
1823391727	G 1/8	R 1/8	8	7	19	21	10
1823391728	G 1/4	R 1/4	11	9	24	25.5	13
1823391729	G 3/8	R 3/8	11.5	9.5	26.5	28	17
1823391730	G 1/2	R 1/2	13	13	30.5	33	21
1823391731	G 3/4	R 3/4	14	14	32	36	25
1823391732	G 1	R 1	15	15	39	45	30

Filler neck

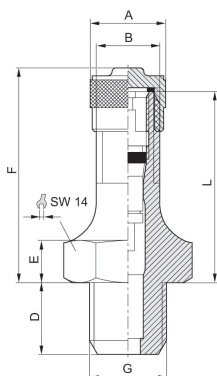
Ambient temperature min./max.: -50 °C ... 130 °C
Working pressure min./max.: 0 bar ... 20 bar



G	Part No.
G 1/8	R412007945
G 1/4	3900040040
1/4 - 18 NPTF	R412010046

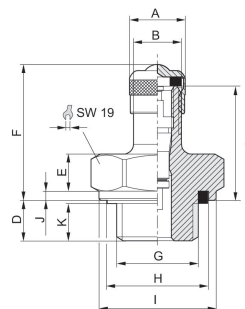
R412007945

Dimensions



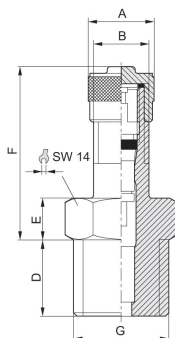
3900040040

Dimensions



R412010046

Dimensions

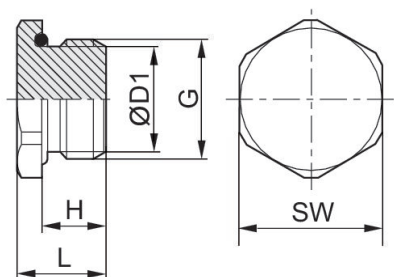


Blanking screw with O-ring, Series FPT

Compressed air connection type: External thread
Ambient temperature min./max.: -20 °C ... 150 °C
Working pressure min./max.: 0 bar ... 16 bar

G	Delivery unit [piece]	Part No.
G 1/8	2	R412010045
G 1/4	2	R412010683
G 3/8	2	R412010684
G 1/2	2	R412010044

Dimensions



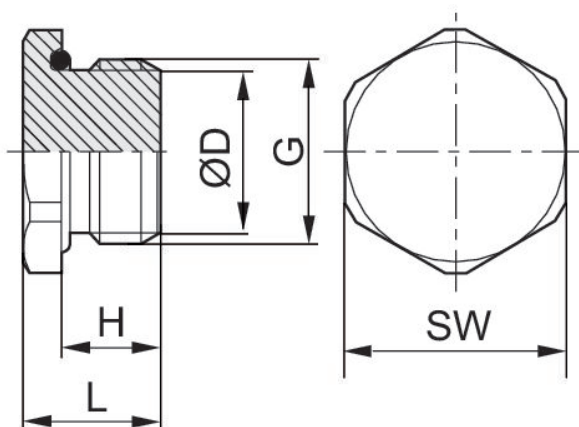
Part No.	Port G	ØD1	H	L	SW
R412010045	G 1/8	8.3	5.5	9.5	13
R412010683	G 1/4	11.2	8	11.5	17
R412010684	G 3/8	14.8	9	12.5	20
R412010044	G 1/2	17	9	14	24

Blanking screw with O-ring, Series FPT

Compressed air connection type: External thread
Ambient temperature min./max.: -20 °C ... 80 °C
Working pressure min./max.: 0 bar ... 16 bar

G	Delivery unit [piece]	Part No.
G 1/8	25	R412010743
G 1/4	25	R412010744
G 3/8	25	R412010745
G 1/2	25	R412010746

Dimensions



Part No.	Port G	ØD	H	L	SW
R412010743	G 1/8	8	5.5	8	14
R412010744	G 1/4	11	6.5	10	19
R412010745	G 3/8	14	7.5	11.5	22
R412010746	G 1/2	17.5	9	13	24

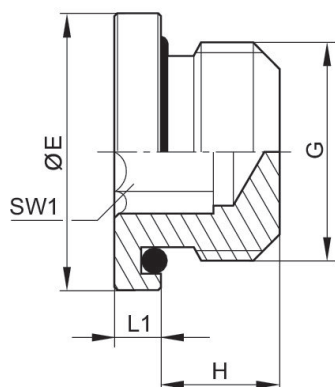
Blanking screw with O-ring, Series FPT, hexagon socket

Compressed air connection type: External thread
Ambient temperature min./max.: -20 °C ... 80 °C
Working pressure min./max.: 0 bar ... 16 bar



G	Delivery unit [piece]	Part No.
M7	25	8639000700
G 1/8	25	8639001800
G 1/4	25	8639001400
G 3/8	25	8639003800
G 1/2	25	8639001200

Dimensions



Part No.	Port G	Ø E	H	L1	SW1
8639000700	M7	11	5.5	4	3
8639001800	G 1/8	14	5.5	2.5	5
8639001400	G 1/4	18	6.5	3.5	6
8639003800	G 3/8	21	7.5	4	8
8639001200	G 1/2	26	9	4	10

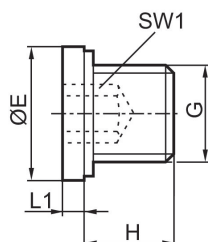
Blanking screw, gasket

Ambient temperature min./max.: -20 °C ... 80 °C
Working pressure min./max.: 0 bar ... 16 bar



G	Delivery unit [piece]	Part No.
G 1/8	25	1823462028
G 1/4	25	1823462029
G 3/8	25	1823462030
G 1/2	25	1823462031
G 3/4	10	1823462032
G 1	5	1823462033

Dimensions



Part No.	Port G	Ø E	H	L1	SW1
1823462028	G 1/8	14	8	3	5
1823462029	G 1/4	18	12	3	6
1823462030	G 3/8	22	12	3	8
1823462031	G 1/2	26	14	4	10
1823462032	G 3/4	32	16	4	12
1823462033	G 1	39	16	5	17

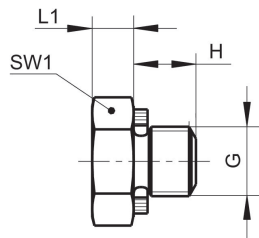
Blanking screw, gasket, M5

Ambient temperature min./max.: -20 °C ... 80 °C
Working pressure min./max.: 0 bar ... 16 bar



G	Delivery unit [piece]	Part No.
M5	25	1823462016

Dimensions



Part No.	Port G	H	L1	SW1
1823462016	M5	4.5	3	8

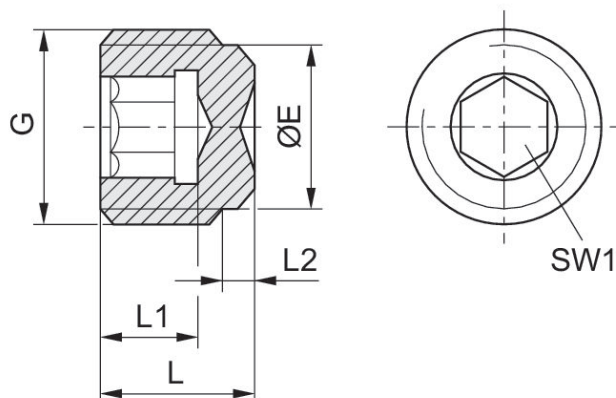
Blanking screw, Brass

Compressed air connection type: External thread
Ambient temperature min./max.: -20 °C ... 80 °C
Working pressure min./max.: 0 bar ... 16 bar



G	Delivery unit [piece]	Part No.
G 1/8	10	1823462004
G 1/4	10	1823462003

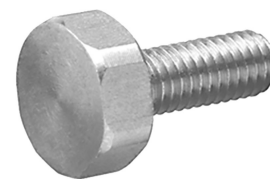
Dimensions



Dimensions in mm

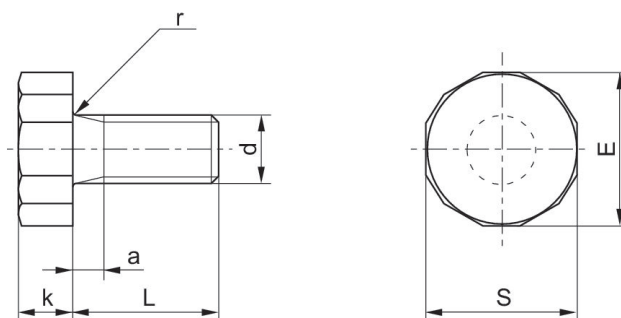
Part No.	Port G	ØE	L	L1	L2	SW1
1823462004	G 1/8	8	8	5	2	5
1823462003	G 1/4	11	11	7	3.5	6

Blanking screw M8



G	Delivery unit [piece]	Fig.	Part No.
M6	4	Fig. 1	R402003749
M8	4	Fig. 1	R402003750

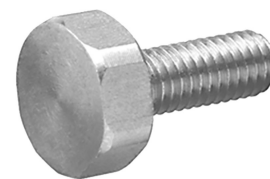
Dimensions



Dimensions in mm

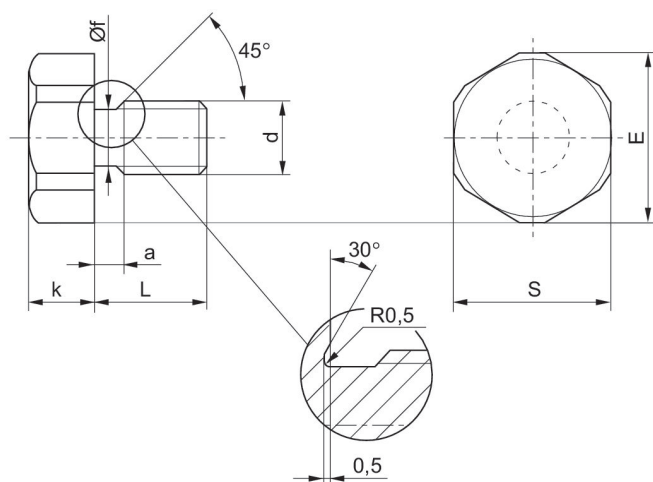
Part No.	a	d	E	k	L	S	r
R412024762	2	M4	9.8	3.9	10	9.8	0.5
R412024763	3	M5	11	4	12	12	0.5
R402003749	3	M6	14	5.3	16	13	0.7
R402003750	3	M8	18	6.4	17	16	0.7

Blanking screw



G	Delivery unit [piece]	Fig.	Part No.
M10	4	Fig. 2	R402003751
M12	4	Fig. 2	R402003752

Dimensions







Dimensions in mm

Part No.	a	d	E	k	L	S	r
R402003751	4	M10	24	7,9	8.8	15	21
R402003752	4	M12	30	9,5	11.5	18	27

Efficient pneumatic solutions, our program:
cylinders and drives, valves and valve systems,
air supply management, proportional pressure
control valves



Visit us: www.Emerson.com/aventics
Your local contact: Emerson.com/contactus

-  Emerson.com
-  Facebook.com/EmersonAutomationSolutions
-  LinkedIn.com/company/Emerson-Automation-Solutions
-  Twitter.com/EMR_Automation



The Emerson logo is a trademark and service mark of Emerson Electric Co. AVENTICS is a registered trademark of one of the Emerson family of companies. All other trademarks are the property of their respective owners. © 2020 Emerson Electric Co. All rights reserved.



CONSIDER IT SOLVED™